

FUSELAGE—HOOD AND WINDSCREEN

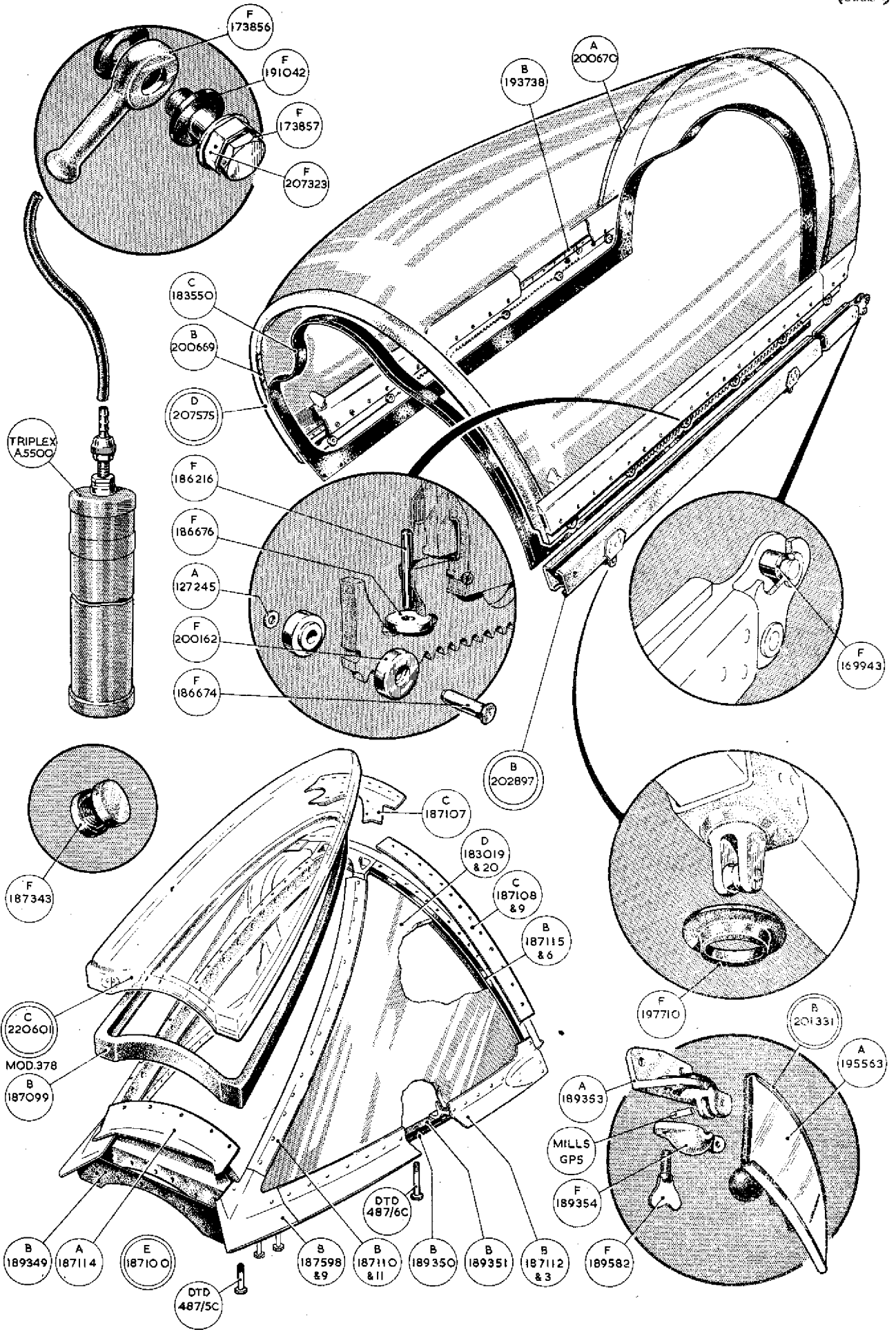
Ref. No.	Part No.	Description	No. Off					Material Specification	M.R. Class of Store	Plate No.
			1	2	3	4	5			
	D.189583	<b>HOOD AND WINDSCREEN INSTALLATION, ASSEMBLY</b>								
946	F.189582	<b>Bolt</b> , wing, mirror attachment ... ..					1	S.1, S.3	C.	JG.1
5378	DTD.487/5C	<b>Bolt</b> , for windscreen attachment ... ..					32	DTD.487	C.	JG.1
5379	DTD.487/6C	<b>Bolt</b> , for windscreen attachment ... ..					4	DTD.487	C.	JG.1
8379	Std.1480/2	<b>Bolt</b> , attaching bottom finisher ... ..					2	—	C.	
4670-3734	Std.840/1+23	<b>Clip</b> , pipe support, $\frac{7}{16}$ " wide x 22 s.w.g. x 2' 3" long (Make up from 30B/1343)					2	DTD.610	MR/C	4
947	B.189349	<b>Gasket</b> , attachment of windscreen to frame 7 ...					1	Rubber	C.	JG.1
948	B.189350	<b>Gasket</b> , bottom, at attachment of windscreen to platform					2	DTD.378	C.	JG.1
949	B.189351	<b>Gasket</b> , top, at attachment of windscreen to platform					2	DTD.378	C.	JG.1
5907	D.207575	<b>Hood</b> , sliding, group (complete with jury supports, C.202144)					1	—	A.	JG.1
	F.159609	<b>Nut</b> , countersunk ... ..					6	—		
383	F.186216	<b>Pin</b> , for horizontal rollers ... ..					20	S.94.B	C.	JG.1
384	F.186674	<b>Pin</b> , for vertical rollers ... ..					12	S.95.B	C.	JG.1
385	F.186676	<b>Roller</b> , horizontal ... ..					20	S.1	C.	JG.1
4152	F.200162	<b>Roller</b> , vertical ... ..					24	S.1	C.	JG.1
2373	A.127245	<b>Washer</b> ... ..					12	S.3	C.	JG.1
4243	B.201331	<b>Mirror</b> , pilot's, group ... ..					1	—	B.	JG.1
4244	A.195563	<b>Mirror</b> , glass ... ..					1	—	B.	JG.1
3767	Std.915/B20	<b>Washer</b> ... ..					6	DTD.610	C.	4
4488	Std.1718/1	<b>Nut</b> , forward end of rail ... ..					2	—	C.	5
5253	B.202897	<b>Rail</b> , hood, group ... ..					2	—	B.	JG.1
	F.202896	<b>Piece</b> , distance ... ..					2	T.58		
	F.169943	<b>Roller</b> ... ..					2	S.80.B		JG.1
4003	F.197710	<b>Seal</b> , hood lock ... ..					4	Rubber	C.	JG.1
	C.187751	<b>SEAL, HOOD, ASSEMBLY</b> ... ..					—	—		
	F.219338	<b>Holder</b> , radio tuning card (Mod. 590) ... ..					3	—		
953	C.183550	<b>Seal</b> , hood ... ..					1	Rubber	C.	JG.1
4237	B.200669	<b>Strip</b> , clamping, at hood seal, front ... ..					1	L.72	C.	JG.1
4238	A.200670	<b>Strip</b> , clamping, at hood seal, rear ... ..					1	L.72	C.	JG.1
2417	B.193738	<b>Strip</b> , nut, at hood seal ... ..					2	DTD.610	MR/C	JG.1
2375	E.187100	<b>Windscreen</b> , group ... ..					1	—	MR/A	JG.1
1505	F.189354	<b>Cap</b> , mirror mounting ... ..					1	S.80	C.	JG.1
3869‡	B.187598	<b>Finisher</b> , corner, port ... ..					1	DTD.610	C.	JG.1
3870‡	B.187599	<b>Finisher</b> , corner, starboard ... ..					1	DTD.610	C.	JG.1
387	C.187107	<b>Finisher</b> , arch, top centre ... ..					1	DTD.166	C.	JG.1
388	C.187108	<b>Finisher</b> , arch, port ... ..					1	DTD.166	C.	JG.1
389	C.187109	<b>Finisher</b> , arch, starboard ... ..					1	DTD.166	C.	JG.1
390‡	B.187112	<b>Finisher</b> , side panel, bottom, port ... ..					1	DTD.610	C.	JG.1
391‡	B.187113	<b>Finisher</b> , side panel, bottom, starboard ... ..					1	DTD.610	C.	JG.1
392‡	A.187114	<b>Finisher</b> , arch, bottom ... ..					1	DTD.610	C.	JG.1
1504	A.189353	<b>Mounting</b> , pilot's mirror ... ..					1	S.80	C.	JG.1
393	F.187343	<b>Nut</b> , for cover plate and finishers ... ..					68	—	C.	JG.1

FUSELAGE-HOOD AND WINDSCREEN

Ref. No.	Part No.	Description					No. Off	Material Specification	M.R. Class of Store	Plate No.
		1	2	3	4	5				
6103	C.210646	Panel, front group (Mod. 362) (Pre Mod. 378) ...					1	—	A.B	
8435	C.220601	Panel, front, group (Mod. 378 and Pre Mod. 378)					1	—	A.B	JG.1
	Triplex									
8510	A.5500	Air, drier ... ..					1	—	A.	JG.1
1523	F.173856	Banjo, for air drier pipe ... ..					1	DTD.364	C.	JG.1
1524	F.173857	Bolt, banjo ... ..					1	DTD.364	C.	JG.1
4983	F.207323	Cage, locking ... ..					1	—	C.	JG.1
—	<del>C.210646/4</del>	<del>Pipe, air drier to valve, 1/8" o/d x 1/8" i/d x 24" long (Pre Mod. 378)</del>					<del>1</del>	<del>P.V.C.</del>	<del>—</del>	
32C/509	<del>C.220601/4</del>	<del>Pipe, air drier to valve ... ..</del>					<del>1</del>	<del>DTD.625A</del>	<del>C</del>	<del>JG.1</del>
1526	F.191042	Washer, sealing for banjo ... ..					2	Rubber	C.	JG.1
4984	Std.914/G22	Washer ... ..					1	DTD.610	C.	4
178	D.183019	Panel, side, port ... ..					1	DTD.339B	A.B	JG.1
179	D.183020	Panel, side, starboard ... ..					1	DTD.339B	A.B	JG.1
1615	Mills-GP-5	Pin, 5/8" dia. x 1/8" long, for mirror mounting cap					1	M-S	C.	JG.1
394	B.187110	Plate, cover, front panel retaining, port (with trimming allowance)					1	DTD.166	C.	JG.1
395	B.187111	Plate, cover, front panel retaining, starboard (with trimming allowance)					1	DTD.166	C.	JG.1
396	B.187115	Sealing, side panel, port ... ..					1	Rubber	C.	JG.1
397	B.187116	Sealing, side panel, starboard ... ..					1	Rubber	C.	JG.1
398	B.187099	Sealing, front panel ... ..					1	Rubber	C.	JG.1
4150	Std.915/C/22	Washer, at top screws ... ..					6	DTD.610	C.	4

FUSELAGE-HOOD AND WINDSCREEN

Ref. No.	Part No.	Description					No. Off	Material Specification	M.R. Class of Score	Plate No.				
		1	2	3	4	5								
<b>SUMMARY OF STOCK ITEMS</b>														
28D/12528	A25-1B	Bolt,	4	B.A.	...	...	...	...	...	...	-	-	-	-
28D/12511	A25.2B	Bolt,	4	B.A.	...	...	...	...	...	...	-	-	-	-
28D/12513	A25.2C	Bolt,	2	B.A.	...	...	...	...	...	...	-	-	-	-
28D/12531	A25.3C	Bolt,	2	B.A.	...	...	...	...	...	...	-	-	-	-
28D/8300	AS.1242-1B	Bolt,	4	B.A.	...	...	...	...	...	...	-	-	-	-
28D/8301	AS.1242/2B	Bolt,	4	B.A.	...	...	...	...	...	...	-	-	-	-
28D/8302	AS.1242/3B	Bolt,	4	B.A.	...	...	...	...	...	...	-	-	-	-
28D/8306	AS.1242-1C	Bolt,	2	B.A.	...	...	...	...	...	...	-	-	-	-
28D/8307	AS.1242/2C	Bolt,	2	B.A.	...	...	...	...	...	...	-	-	-	-
28D/8312	AS.1242/8C	Bolt,	2	B.A.	...	...	...	...	...	...	-	-	-	-
28D/8313	AS.1242-9C	Bolt,	2	B.A.	...	...	...	...	...	...	-	-	-	-
28D/8337	AS.1248/1B	Bolt,	4	B.A.	...	...	...	...	...	...	-	-	-	-
28D/9744	AS.1248/2B	Bolt,	4	B.A.	...	...	...	...	...	...	-	-	-	-
	<b>28L/13124 A27. CT.</b>	<b>NUT,</b>	<b>2</b>	<b>B.A.</b>	...	...	...	...	...	...	-	-	-	A/L 18
28M/12929	A27-CP	Nut,	2	B.A.	...	...	...	...	...	...	-	-	-	-
28M/10327	AGS.2002/B1	Nut,	4	B.A.	...	...	...	...	...	...	-	-	-	-
28M/10328	AGS.2002/C1	Nut,	2	B.A.	...	...	...	...	...	...	-	-	-	-
	<b>28W/9419454 SP.10.C.</b>	<b>WASHER</b>			...	...	...	...	...	...	-	-	-	-
28S/2773	A31.B.20	Screw,	4	B.A.	...	...	...	...	...	...	-	-	-	-
	<b>28W.9419475 SP.15/C</b>	<b>Washer,</b>	<b>2</b>	<b>B.A.</b>	...	...	...	...	...	...	-	-	-	A/L 18.
28W/3097	AGS.162/B	Washer,	4	B.A.	...	...	...	...	...	...	-	-	-	-
28W/3098	AGS.162/C	Washer,	2	B.A.	...	...	...	...	...	...	-	-	-	-
	<b>28W/9419404 SP.16.C.</b>	<b>WASHER</b>			...	...	...	...	...	...	-	-	-	A/L 18.



HOOD AND WINDSCREEN

This file was downloaded  
from the RTFM Library:

Link: [www.scottbouch.com/rtfm](http://www.scottbouch.com/rtfm)

Please see site for usage terms,  
and more aircraft documents.

