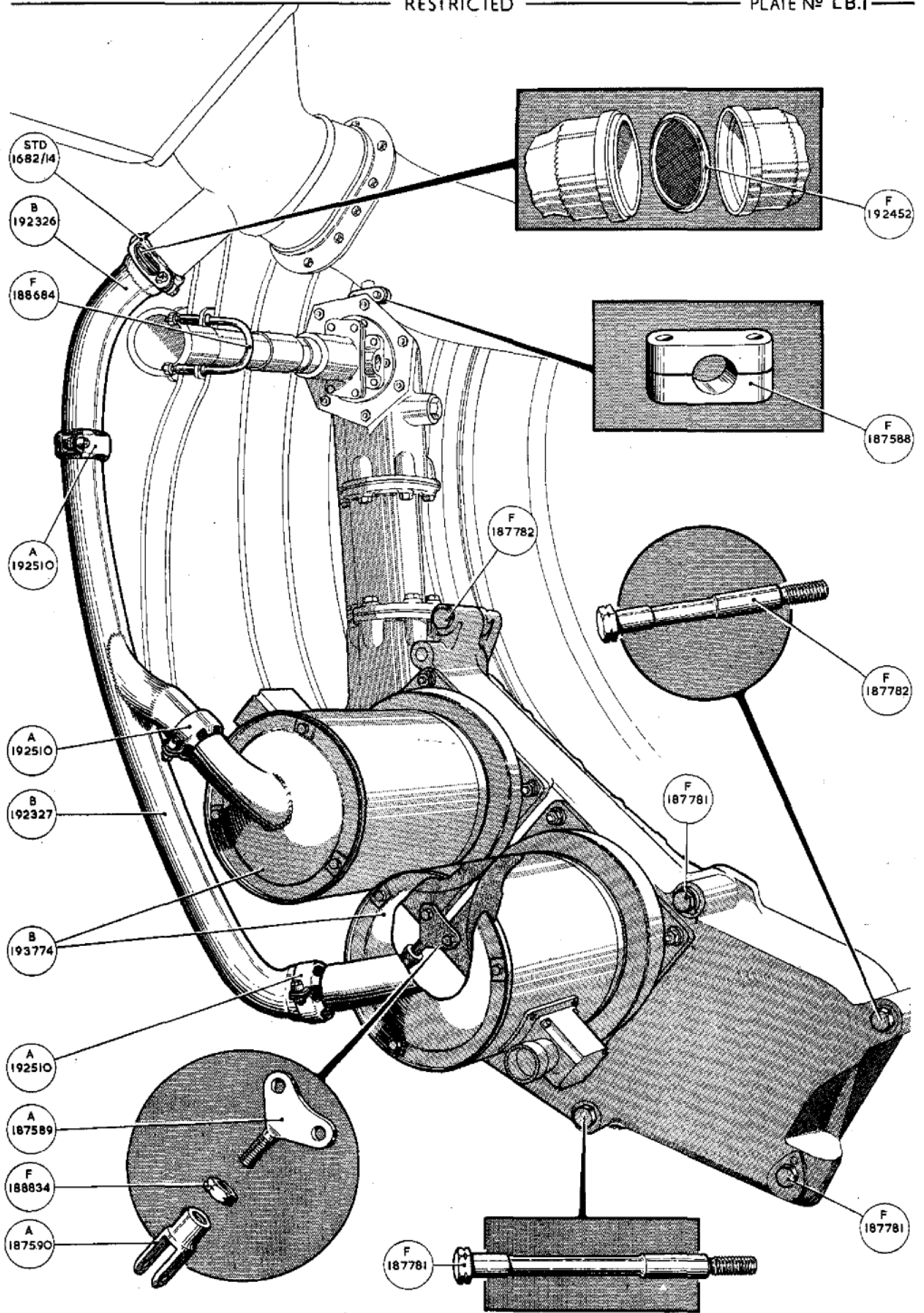


POWER INSTALLATION—GEARBOX AND ACCESSORIES

| Ref. No. | Part No. | Description | No. Off | Material Specification | M.R. Class of Store | Plate No. |
|----------|------------------|---|---------|------------------------|---------------------|-----------|
| | | | | | | |
| | D.187592 | ACCESSORY DRIVE FOR GEARBOX AND EQUIPMENT, ASSEMBLY | — | — | | |
| 412 | F.187588 | Block, clamp (in halves) ... | 1 | DTD.364 | C. | LB.1 |
| 414 | F.187781 | Bolt, special, for securing hydraulic pump ... | 4 | S.94.B | C. | LB.1 |
| 415 | F.187782 | Bolt, special ... | 2 | S.94.B | C. | LB.1 |
| 420 | F.188684 | Bolt, "U", supporting driving shaft at frame 34 ... | 1 | S.1 | C. | LB.1 |
| 6395 | F.188685 | Channel, stop ... | 1 | DTD.610 | C. | |
| 37L/175 | — | Gearbox, accessories drive type TG.5/3 (Pre Mod. 160) | 1 | — | A. | |
| 37L/5007 | — | Gearbox, accessories drive, type T.G.5/8 (Mod. 160) | 1 | — | A. | |
| 416 | A.187589 | Eye-end, supporting generators ... | 1 | Stamping | C. | LB.1 |
| 417 | A.187590 | Fork-end, at stringer "K," supporting generators ... | 1 | S.94.B | C. | LB.1 |
| 5UA/6273 | — | Generator, type 515A ... | 2 | — | A. | |
| 418 | F.188834 | Nut, lock, for generator support, at stringer "K" ... | 1 | S.1 | C. | LB.1 |
| 6104 | F.209992 | Piece, distance, between gear box and spar (Mod. 357) | 1 | DTD.610 | C. | |
| 37J/8006 | Dowty | Pump, hydraulic, type A8003.Y/R.H./3000 ... | 1 | — | A. | |
| 37L/364 | — | Shaft, drive, GD.9/44 ... | 1 | — | A. | |
| 1877 | B.193774 | Spout, air, for generator (Pre Mod. 250) ... | 2 | — | C. | LB.1 |
| 3807 | Std. 1509/23/075 | Tube, distance, $\frac{3}{8}$" o/d × 17 s.w.g. × 0.75" long ... | 2 | T.4 | MR/C | 4 |
| 5781 | Std. 915/E/20 | Washer ... | 2 | DTD.610 | C. | 4 |
| 3953 | Std. 915/E/22 | Washer, shim ... | 1 | DTD.610 | MR/C | 4 |
| | Std. 914/J/14 | Washer, at generator lug ... | 1 | S.1 | | 4 |

POWER INSTALLATION—GEARBOX AND ACCESSORIES

| Ref. No. | Part No. | Description | | | | | | No. Off | Material Specification | M.R. Class of Store | Place No. |
|-------------------------------|--------------|--------------------|-----|-----|-----|-----|-----|---------|------------------------|---------------------|-----------|
| | | | 1 | 2 | 3 | 4 | 5 | | | | |
| SUMMARY OF STOCK ITEMS | | | | | | | | | | | |
| 28D/12570 | A25.11.E | Bolt, 1/4" B.S.F. | ... | ... | ... | ... | ... | — | — | — | |
| 28D/12812 | A25.12.E | Bolt, 1/4" B.S.F. | ... | ... | ... | ... | ... | — | — | — | |
| 28D/12818 | A25.9.G | Bolt, 5/16" B.S.F. | ... | ... | ... | ... | ... | — | — | — | |
| 28M/12930 | A27.E.S. | Nut, 1/4" B.S.F. | ... | ... | ... | ... | ... | — | — | — | |
| 28M/13122 | A27.G.S. | Nut, 5/16" B.S.F. | ... | ... | ... | ... | ... | — | — | — | |
| 28M/10288 | AGS.2001.C.1 | Nut, 2 B.A. | ... | ... | ... | ... | ... | — | — | — | |
| 28W/12496 | SP.15.E | Washer, 1/2" dia. | ... | ... | ... | ... | ... | — | — | — | |
| 28W/12324 | SP.15.G | Washer, 5/8" dia. | ... | ... | ... | ... | ... | — | — | — | |
| 28W/12355 | SP.16.C | Washer | ... | ... | ... | ... | ... | — | — | — | |
| 28W/12347 | SP.16.G | Washer, 1/2" dia. | ... | ... | ... | ... | ... | — | — | — | |
| 28W/12322 | SP.16.J | Washer, 3/8" dia. | ... | ... | ... | ... | ... | — | — | — | |
| 28L/14535 | SP.41.L | Washer, tab | ... | ... | ... | ... | ... | — | — | — | |



This file was downloaded
from the RTFM Library.

Link: www.scottbouch.com/rtfm

Please see site for usage terms,
and more aircraft documents.

