

SERVICES—FUEL SYSTEM CENTRE FUSELAGE

Ref. No.	Part No.	Description	No. Off	Material Specification	M.R. Class of Store	Plate No.
		FUEL SYSTEM IN CENTRE FUSELAGE, ASSEMBLY	—	—	—	
6520	E.200270	Adaptor (Mod. 138)	1	L.65.C	B.	NB.3
8036	A.202469	Adaptor	2	L.65.C	B.	NB.1
27F/2226	A.206119	Aerocock , defuelling S.P. type 42	1	—	A.	
	42.A.10					
27F/2225	Saunders	Aerocock , low pressure S.P. Mk.2, group	1	—	A.	
	L51.B12					
27F/	Saunders	Ring , sealing	2	—	C.	
	5112/5					
1060	F.189375	Block , clamp, half, for refuelling pipe	1	LFS.21	C.	NB.1
2122	F.196104	Block , clamp	2	LFS.21	C.	
2123	F.196105	Block , clamp	2	LFS.21	C.	
8286	A.211648	Block , saddle (Mod. 374)	2	LFS.21	MR/C	NB.2
1088	A.189332	Bolt , banjo	2	S.95	C.	NB.1
4055	F.196287	Bracket , support for engine supply pipe	1	S.3	C.	
5391	A.203759	Bracket , mounting for pressure relief valve, port	1	S.3	MR/C	NB.3
5392	A.203760	Bracket , mounting for pressure relief valve, starboard	1	S.3	MR/C	NB.3
8287	A.211719	Bracket , mounting (Mod. 374)	1	L.72	MR/C	NB.2
	F.215817	Bracket , mounting for clamp blocks (Mod. 374)	1	L.72		
	A.218113	Bracket , mounting for pressure reducing valve, port (Mod. 591)	1	S.3		
	A.218114	Bracket , mounting for pressure reducing valve, starboard (Mod. 591)	1	S.3		
5057	F.203591	Cap , for pressure relief valve mounting bracket	2	S.3	C.	NB.3
1087	F.185874	Circlip	2	DTD.215	C.	NB.1
421	A.185593	Clamp , pipe connection, group	2	—	B.	NB.1
2723	F.184931	Bolt , eye	1	S.94.B	MR/C	NB.1
6526	F.213079	Nut , special	1	S.95	C.	NB.1
2724	F.185592	Washer	1	DTD.364	MR/C	NB.1
1085	A.185870	Clamp , pipe connection, group	2	—	B.	NB.1
2723	F.184931	Bolt , eye	1	S.94.B	MR/C	NB.1
6526	F.213079	Nut , special	1	S.95	C.	NB.1
	F.184938	Washer	1	DTD.364		NB.1
1136	A.186450	Clamp , pipe connection, group	1	—	B.	NB.1
2723	F.184931	Bolt , eye	1	S.94.B	MR/C	NB.1
6526	F.213079	Nut , special	1	S.95	C.	NB.1
2724	F.185592	Washer	1	DTD.364	MR/C	NB.1
6525	A.201803	Clamp , pipe connection, group (Mod. 138)	1	—	B.	
2723	F.184931	Bolt , eye	1	S.94.B	MR/C	NB.1
6526	F.213079	Nut , special	1	S.95	C.	NB.1
2724	F.185592	Washer	1	DTD.364	MR/C	NB.1
8288	F.211593	Cleat (Mod. 374)	1	LFS.21	MR/C	
8289	F.211594	Cleat (Mod. 374)	1	LFS.21	MR/C	
3736	Std.840/17	Clip , $\frac{7}{16}$ " wide x 22 swg. x 1-7" long	1	DTD.610	C.	
3747	Std.841/28	Clip , $\frac{7}{16}$ " wide x 22 swg. x 2-8" long	4	DTD.610	MR/C	4
3748	Std.841/34	Clip , $\frac{7}{16}$ " wide x 22 swg. x 3-4" long	1	DTD.610	MR/C	4
3749	Std.841/38	Clip , $\frac{7}{16}$ " wide x 22 swg. x 3-8" long	2	DTD.610	C.	4
	Std.841/52	Clip , $\frac{7}{16}$ " wide x 22 swg. x 5-2" long	2	DTD.610		4
3750	Std.842/10	Clip , $\frac{7}{16}$ " wide x 22 swg. x 1-0" long	1	S.3	MR/C	4
3751	Std.842/12	Clip , $\frac{7}{16}$ " wide x 22 swg. x 1-2" long	4	S.3	MR/C	4
3756	Std.850/27	Clip , $\frac{7}{16}$ " wide x 22 swg. x 2-7" long	1	DTD.610	MR/C	4
4739	Std.850/37	Clip , $\frac{7}{16}$ " wide x 22 swg. x 3-7" long	2	DTD.610	MR/C	4
4164	Std.850/50	Clip , $\frac{7}{16}$ " wide x 22 swg. x 5-0" long	2	DTD.610	MR/C	4
4050	Std.851/53	Clip , $\frac{7}{16}$ " wide x 22 swg. x 5-3" long	1	DTD.610	MR/C	4
5412	Std.853/30	Clip , $\frac{7}{16}$ " wide x 22 swg. x 3-0" long	1	S.3	MR/C	4

SERVICES—FUEL SYSTEM CENTRE FUSELAGE

Ref. No.	Part No.	Description	No. Off	Material Specification	M.R. Class of Store	Plate No.
5413	Std.853/36	Clip, $\frac{7}{16}$ " wide x 22 swg. x 3-6" long	1	S.3	MR/C	4
2151	Std.1166/6	Clip, half for clamp	1	S.3 & T.26	C.	4
8552	F.218115	Clip, for pressure reducing valve mounting bracket (Mod. 591)	2	—	C.	
8285	A.211647	Clip, at fuel pressure switch mounting (Mod. 374)	2	DTD.166	MR/C	NB.2
1086	F.185873	Collar, half	4	DTD.364	C.	NB.1
1729	A.192904	Connection, tank pressurising, group	1	—	B.	NB.2
1730	A.193370	Cap, blanking	1	DTD.364	C.	NB.2
	A.192905	Connection	1	DTD.364		
	A.184691	Guide, valve	1	DTD.364		
1731	F.193381	Ring, sealing for blanking cap	1	Rubber	C.	NB.2
3976	F.197676	Ring, retaining for blanking cap	1	—	C.	NB.2
3950	Dcwty GD.1307H	Seal, bonded	1	—	C.	
1732	F.184693	Spring	1	DTD.215	C.	NB.2
1733	F.184692	Valve	1	DTD.364	C.	NB.2
27F/2328	Flight Refuelling F.R.S.110J	Connector pipe 1 $\frac{1}{2}$ " B.S.P.	1	—	B.	
27F/2329	Flight Refuelling F.R.S.110K	Connector pipe 1 $\frac{1}{2}$ " B.S.P.	4	—	B.	
3776	Std.1306/20	Coupling, flexible (Make from 32C/447)	4	DTD.625	MR/C	4
1120	K.A.C.C.3829/S	Coupling, flexible, 1 $\frac{1}{4}$ " B.S.P. (Alternative to C.6397)	1	—	B.	
6970	K.A.C.C.6397	Coupling, flexible 1 $\frac{1}{4}$ " B.S.P. (Alternative to C.3829/S)	1	—	B.	
3898	K.A.C.C.4460/S	Coupling, flexible 1 $\frac{1}{4}$ " B.S.P. (Alternative to C.6395)	1	—	B.	
6972	K.A.C.C.6395	Coupling, flexible 1 $\frac{1}{4}$ " B.S.P. (Alternative to 4460/S)	1	—	B.	
27F/	Flight Refuelling C.0724000/1	Coupling, refuelling (Alternative to F.C.110 and F.C.110 Mk. 2)	1	—	A.	
27F/2596	Flight Refuelling B.0724140	Cover, dust	1	—	A.	
27F/2227	Avery Hardoll FC.110	Coupling, refuelling (Alternative to C.0724000/1 and FC.110/Mk.2)	1	—	A.	
27F/2228	Avery Hardoll FC.109	Cover, dust	1	—	A.	
27F/2599	Avery Hardoll FC.339	Ring, sealing	1	—	C.	
27F/	Avery Hardoll FC.110 Mk. 2	Coupling, refuelling (Alternative to C.0724000/1 and FC.110)	1	—	A.	
5061	F.201433	Fairlead, half	4	LFS.21	C.	NB.3
5062	F.201193	Fairlead, half	1	Ferobestos	C.	NB.3
5063	F.201194	Fairlead, half	1	—	C.	NB.3
5064	F.204252	Fairlead, half	1	—	C.	NB.1
5065	F.204253	Fairlead, half	1	—	C.	NB.1
8582	B.218125	Filter, air (Dunlop ACM.17994 lagged) (Mod. 591)	2	—	A.	NB.1
27F/2602	Rotel FFP.2/2	Flow, proportioner (Mod. 138)	1	—	A.	
27F/2241	Saunders A.102/3	Handle, for defuelling cock	1	—	C.	
4093	B.199331	Hose, flexible metallic (Pre Mod. 541)	1	—	C.	NB.1
8384	B.213266	Hose, metallic (Avica Equipment Ltd.) (Mod. 541)	1	—	C.	
2852	F.189214	Label, instruction for fuelling cock	1	DTD.610	MR/C	
	F.210884	Label, instruction for L.P. cock	1	—		
1940	Std.1231/1	Lug, locking at water/sediment drain	2	S.3	C.	4
	B.190411	MOUNTING FOR REFUELLING COUPLING, ASSEMBLY	—	—		
1061	C.189254	Mounting, group	1	—	C.	NB.1
	Std.1922/2E	Bolt	4	S.21.B		

SERVICES—FUEL SYSTEM CENTRE FUSELAGE

Ref. No.	Part No.	Description	No. Off	Material Specification	M.R. Class of Store	Plate No.
1135	C.188535/A	Mounting for L.P. cock Consisting of :—	1	—	B.	NB.2
	A.188539	Angle	1	DTD.610		
	B.188537	Bracket, top	1	DTD.610		
	A.188784	Member, side, forward	1	DTD.610		
	B.188536	Member, side rear	1	DTD.610		
	A.188538	Stiffener	1	DTD.610		
28D/12887	A25.34C	Bolt	2	—	C.	
28D/12911	A25.35C	Bolt	2	—	C.	
28M/10328	AGS.2002.C1	Nut	4	—	C.	
28Q/1660	AS.156/405	Rivet	12	—	C.	
28W/12296	SP.15C	Washer	4	—	C.	
	C.206107	MOUNTING FOR FLOW PROPORTIONER ASSEMBLY (Mod. 138)	—	—		
6533	F.205949	Bolt	1	—	C.	
8035	A.206118	Bracket, support	1	MS	B.	
8034	F.202967	Link	2	L.72	B.	
5066	F.200156	Nipple	1	S.1	C.	
	F.200157	Nipple	1	S.1		
4127	F.198948	Nipple	2	S.1	C.	
1082	F.188057	Nipple	2	S.1	C.	
3897	F.195770	Nipple	1	S.1	C.	
5067	F.190837	Nut, retaining at vapour release connection on forward tanks	2	DTD.364	C.	NB.3
5068	B.207420	Pipe, refuelling, coupling to fuselage connection ...	1	DTD.253	C.	NB.1
8033	B.206113	Pipe, refuelling, front tanks branch (Mod. 138) ...	1	DTD.253	B.	NB.1
8032	C.206105	Pipe, to port front tank valve (Mod. 138) ...	1	DTD.253	B.	NB.1
1109	C.187805	Pipe, refuelling branch to starboard front tank valve	1	DTD.253	C.	NB.1
8030	B.206111	Pipe, port pump to flow proportioner (Mod. 138) ...	1	DTD.253	B.	
8031	B.206112	Pipe, starboard pump to flow proportioner (Mod. 138)	1	DTD.253	B.	
8038	C.210872	Pipe, delivery from flow proportioner (Mod. 138) (Pre Mod. 252)	1	DTD.253	B.	NB.1
9023	C.215987	Pipes, delivery from flow proportioner (Mod. 252) ...	1	DTD.253	B.	
1137	A.189114	Pipe, L.P. cock to flexible coupling (Pre Mod. 252) ...	1	DTD.253	C.	NB.1
9022	A.212114	Pipe, L.P. cock to flexible coupling (Mod. 252) ...	1	DTD.253	C.	
1140	C.186618	Pipe, refuelling, rear tank valve, port ...	1	DTD.253	C.	
1141	C.186668	Pipe, refuelling, rear tank valve, starboard ...	1	DTD.253	C.	
1146	C.187697	Pipe, refuelling gallery	1	DTD.253	C.	
5069	B.201185	Pipe, vent, front tank branch	1	DTD.263	C.	NB.1
6174	B.210520	Pipe, vent, connection to branch pipe (Mod. 352) ...	1	DTD.253	C.	NB.1
5071	B.204146	Pipe, branch from vapour release valve	1	DTD.253	C.	NB.1
5072	B.201082	Pipe, pressure, branch, relief and non-return valves to connection, port	1	DTD.253	C.	NB.1
5073	B.201083	Pipe, pressure, branch, relief and non-return valves to connection, starboard	1	DTD.253	C.	NB.1
5074	B.201122	Pipe, pressure, frame 26 to frame 30	1	DTD.253	C.	NB.1
5075	B.200688	Pipe, pressure, branch	1	DTD.253	C.	NB.1
5076	C.201107	Pipe, vent, branch connection to atmosphere ...	1	DTD.253	B.	
5087	C.200374	Pipe, fuel transfer, connector to rear tank, port ...	1	DTD.253	B.	NB.1
5088	C.200375	Pipe, fuel transfer, connector to rear tank, starboard	1	DTD.253	B.	NB.1
8549	B.218179	Pipe, pressure, (B.201109 lagged), branch from filter (Mod. 591)	1	—	B.	NB.1
5092	D.201248	Pipe, fuel transfer N.R. valve to front tank, port ...	1	DTD.253	B.	NB.1
5093	D.201249	Pipe, fuel transfer, non-return valve to front tank, starboard	1	DTD.253	B.	NB.1

SERVICES—FUEL SYSTEM CENTRE FUSELAGE

Ref. No.	Part No.	Description					No. Off	Material Specification	M.R. Class of Store	Plate No.
		1	2	3	4	5				
8551	B.218191	Pipe, pressure (B.201042/7 lagged), filter to pressure reducing valve, port (Mod. 591)					1	—	B.	
8550	B.218190	Pipe, pressure (B.201042/8 lagged), filter to pressure reducing valve, starboard (Mod. 591)					1	—	B.	NB.1
5098	C.201151	Pipe, refuelling, branch					1	DTD.253	B.	NB.1
8522	F.216519	Pipe, vent extension (Mod. 543)					1	—	C.	
8387	B.213220	Pipe, metallic hose to connection (Mod. 541) ...					1	DTD.253	C.	
1103	C.188051/5	Pipe, transfer, rear tank to non-return valve, port ...					1	DTD.253	C.	NB.1
1104	C.188051/6	Pipe, transfer, rear tank to non-return valve, starboard					1	DTD.253	C.	NB.1
1108	C.188051/10	Pipe, engine supply, flexible connection to flexible connection					1	DTD.253	C.	NB.1
1112	C.188051/13	Pipe, engine supply rear spar to L.P. fuel cock ...					1	DTD.253	C.	NB.1
4959	C.188051/18	Pipe, engine supply, connection to rear spar ...					1	DTD.253	C.	NB.1
1114	B.188908/1	Pipe, drain, tank pump to drain valve, port ...					1	DTD.253	C.	NB.1
1116	B.188908/3	Pipe, drain, transfer pipe to drain valve, port ...					1	DTD.253	C.	NB.1
1117	B.188908/4	Pipe, drain, transfer pipe to drain valve, starboard ...					1	DTD.253	C.	NB.1
8143	B.188908/5	Pipe, drain, rear tank, port					1	T.9	C.	
8144	B.188908/6	Pipe, drain, rear tank, starboard					1	T.9	C.	
1118	B.188908/7	Pipe, drain, for tank pump, port					1	T.9	C.	NB.1
1119	B.188908/8	Pipe, drain, for tank pump, starboard					1	T.9	C.	NB.1
3993†	B.188908/10	Pipe, pressure switch balance, port					1	DTD.253	MR/C	NB.1
3994†	B.188908/11	Pipe, pressure switch balance, starboard					1	DTD.253	MR/C	NB.1
6089	B.188908/12	Pipe, drain, tank pump to drain valve, starboard ...					1	DTD.253	C.	NB.1
	B.188908/15	Pipe, pressure, switch balance (Mod. 252)					1	DTD.253	L.M.	
5086	B.200361/12	Pipe, pressure, relief valve to branch, starboard ...					1	DTD.253	C.	
5085	B.200361/15	Pipe, pressure, relief valve to branch, port					1	DTD.253	C.	NB.1
5094	B.201042/1	Pipe, pressure, connection to branch					1	DTD.253	C.	NB.1
5095	B.201042/2	Pipe, pressure, branch to connection					1	DTD.253	C.	NB.1
6176	B.201042/9	Pipe, fuel, reducing valve to non-return valve port, (Mod. 352)					1	DTD.253	C.	
6177	B.201042/10	Pipe, fuel reducing valve to non-return valve, starboard (Mod. 352)					1	DTD.253	C.	
6180	B.201042/11	Pipe, balance pressure reducing valve to tee-piece port (Mod. 352)					1	DTD.253	C.	
6181	B.201042/12	Pipe, balance pressure reducing valve to tee-piece starboard (Mod. 352)					1	DTD.253	C.	
6182	B.201042/13	Pipe, drain tee-piece to boss (Mod. 352)					1	DTD.253	C.	
5395†	B.201059/1	Pipe, balance, tee-piece to pressure relief valve port ...					1	DTD.253	MR/C	NB.1
5396†	B.201059/2	Pipe, balance tee-piece to pressure relief valve, starboard					1	DTD.253	MR/C	NB.1
5397†	B.201059/3	Pipe, balance tee-piece to refuelling branch pipe ...					1	DTD.253	MR/C	NB.1
8119	A.212212/1	Pipe, connection to union (Mod. 374)					1	DTD.253	C.	NB.1
8120	A.212212/2	Pipe, union to pressure switch (Mod. 374)					1	DTD.253	C.	NB.1
8121	A.212212/3	Pipe, connection to union (Mod. 374)					1	DTD.253	C.	NB.1
8122	A.212212/4	Pipe, union to pressure switch (Mod. 374)					1	DTD.253	C.	NB.1
1089	A.186267	Plate, cover, transfer pipe connection					2	DTD.610	C.	NB.3
SUE/6167	S.P.E.1007	Pump, fuel booster					2	—	A.	
5099	F.192028	Ring, sealing at vapour release connection					2	Rubber	C.	
3944	Dowty GD.1308/1	Ring, sealing "O" type					5	—	C.	NB.1
3945	Dowty GD.1308/2	Ring, sealing "O" type					2	—	C.	
3948	Dowty GD.1309/25	Ring, sealing "O" type					1	—	C.	
3949	Dowty GD.1309/26	Ring, sealing at engine fuel inlet					1	—	C.	
5048	Dowty GD.1309/27	Ring, sealing					5	—	C.	NB.1

† For details see Piping Chart

SERVICES-FUEL SYSTEM CENTRE FUSELAGE

Ref. No.	Part No.	Description					No. Off	Material Specification	M.R. Class of Store	Plate No.
		1	2	3	4	5				
1132	F.173506	Screw, sealing, for tank retaining nuts					16	DTD.364	C.	
3932	Dowty GD.1307/3	Seal, bonded					12	—	C.	
3938	Dowty GD.1307/BB	Seal, bonded					4	—	C.	
3942	Dowty GD.1307/J	Seal, bonded					2	—	C.	NB.1
8037	A.206121	Sleeve (Mod. 138)					2	L.65.C	B.	NB.1
27F/2367	Flight Refuelling A.1111080	Sleeve, screwed					4	—	C.	
6A/1912	—	Switch, pressure, Mk. 1E* (Mod. 252)					1	—	B.	
5CW/5988	Thermal Control TP.5266/1	Switch, pressure (Mod. 374)					2	—	A.	
	D.201703	TANKS, FORWARD INSTALLATION, ASSEMBLY					—	—		
6A/4691	Smiths J.U.7	Box, terminal, contents gauge (Mod. 238) ...					2	—	B.	
5101	B.190833	Connection, vapour release					2	DTD.364	C.	NB.3
1186	B.181004	Connection, vent					2	DTD.364	C.	NB.3
2144	Std.1231/3	Lug, locking					1	S.3	C.	4
1127	F.181002	Plate, locking					4	DTD.610	C.	
1124	A.169270	Plate, mounting, refuelling valve					2	DTD.610	C.	NB.2
1125	F.170684	Piece, distance					8	DTD.364	C.	NB.2
5CW/4642	Smiths 1696FG	Switch, fuel level					2	—	A.	
	—	Tanks (see section 'Q')					—	—	—	
1122	A.190085	Washer, sealing, between inverted flight valve and tank (Pre F.P. Mod. 144)					2	DTD.762	C.	NB.3
1123	A.189003	Washer, sealing at refuelling valve (Pre F.P. Mod. 144)					2	DTD.762	C.	NB.2
1126	F.170685	Washer, special					8	DTD.610	C.	NB.2
1128	F.189008	Washer, sealing at transfer connection (Pre F.P. Mod. 144)					2	DTD.762	C.	NB.3
1129	F.189043	Washer, sealing at level switch (Pre F.P. Mod. 144)					2	DTD.762	C.	NB.3
1130	F.189006	Washer, sealing at fuel gauge terminal box (Pre F.P. Mod. 144)					2	DTD.762	C.	NB.2
1131	A.189041	Washer, sealing at transfer connection (Pre F.P. Mod. 144)					1	DTD.762	C.	NB.3
1187	A.189044	Washer, sealing at vapour release and vent connections (Pre F.P. Mod. 144)					4	DTD.762	C.	
	D.200071	TANKS, REAR INSTALLATION, ASSEMBLY					—	—		
6A/4691	Smiths J.U.7	Box, terminal, contents gauge (Mod. 238) ...					2	—	B.	
3756	Std.850/27	Clip, $\frac{3}{16}$ " wide x 22 swg. x 2.7" long					2	DTD.610	MR/C	4
2144	Std.1231/3	Lug, locking at refuelling valve					2	S.3	C.	4
5389	F.200072	Plate, blanking					2	L.72	C.	
	—	Tanks (See Section 'Q')					—	—	—	
8189	A.217428	Valve, suction relief group (Mod. 566)					2	—	B.	NB.2
6200	F.209640	Collar					1	DTD.364	C.	NB.2
1882	F.195019	Plug					1	—	C.	NB.2
3933	Dowty GD.1307/6	Seal					1	—	C.	
6199	F.209155	Spring					1	—	C.	NB.2
442	F.184481*	Valve (Alternative to F.215727)					1	DTD.364	C.	NB.2
7050	F.215727	Valve (Alternative to F.184481)					1	DTD.364	C.	NB.2

SERVICES—FUEL SYSTEM CENTRE FUSELAGE

Ref. No.	Part No.	Description					No. Off	Material Specification	M.R. Class of Store	Plate No.
		1	2	3	4	5				
1128	F.189008						2	DTD.762	C.	NB.3
1123	A.189003						2	DTD.762	C.	NB.2
1130	F.189006						4	DTD.762	C.	NB.2
1154	F.189007						2	DTD.762	C.	NB.3
1150	F.189373						2	DTD.762	C.	NB.2
1151	F.189374						2	DTD.762	C.	NB.2
	Std.1509/12/040						4	T.4		
	Std.1509/23/020						1	T.4		
	Std.1509/23/050						2	T.4		
	Std.1509/24/022						1	T.4		
1090	F.173383						2	DTD.364	C.	NB.3
5UE/6168	SPE/BP.26						2	—	A.	
1071	A.186567						2	—	B.	NB.2
2144	Std.1231/3						1	S.3	C.	4
1072	F.185048						1	DTD.364	C.	NB.2
1076	F.186616						10	—	C.	NB.2
1073	F.171937						1	—	C.	NB.2
1074	A.186567/A						1	—	C.	NB.2
	F.185046						1	DTD.610		
	F.185047						1	DTD.364		
	F.186594						1	DTD.610		
1075	F.185049						1	Klingerit	C.	NB.2
27F/2831	SPE.2191						3	—	A.	
5103	B.199535*						2	—	A.	NB.3
6981	B.214443						2	—	A.	
	C.190832						2	—		
5104	C.207670						2	—	A.	NB.3
	A.190835						1	—		
5406	F.190839						1	Cork	MR/C	NB.3
	Std.914/T/10						1	DTD.610		
	F.190841						1	S.80.B		
5408	F.191984						1	Rubber	MR/C	NB.3
5409	F.204291						1	—	MR/C	NB.3
5410	F.207669						1	—	MR/C	NB.3
7973	F.215242						1	—	MR/C	
27F/2366	Flight Refuelling C.1112000/3						4	—	A.	
8583	B.218149						2	—	A.	NB.1

SERVICES—FUEL SYSTEM CENTRE FUSELAGE

Ref. No.	Part No.	Description	No. Off	Material Specification	M.R. Class of Store	Plate No.
8137	B.217334	Valve, suction and pressure relief group (Mod. 564) ...	2	—	A.	NB.2
428	F.184477	Adjuster, valve ...	1	DTD.364	C.	NB.2
429	A.184476	Cap, valve ...	1	DTD.364	C.	NB.2
430	F.184480	Collar ...	1	DTD.364	C.	NB.2
6200	F.209640	Collar ...	1	DTD.364	C.	NB.2
1882	F.195019	Plug ...	2	DTD.364	C.	NB.2
431	A.184478	Ring, cap ...	1	DTD.364	C.	NB.2
3931	Dowty GD.1288	Ring, sealing ...	1	—	C.	
3947	Dowty GD.1308/8	Ring, sealing "O" type ...	1	—	C.	
432	F.184482	Screw ...	6	—	C.	NB.2
3933	Dowty GD.1307/6	Seal, bonded ...	2	—	C.	
3935	Dowty GD.1307/23	Seal, bonded ...	1	—	C.	NB.2
434	F.184473	Seat, valve ...	1	DTD.364	C.	NB.2
1068	F.185613	Spring ...	1	DTD.239	C.	NB.2
6199	F.209155	Spring ...	1	—	C.	NB.2
441	A.184484	Valve ...	1	DTD.364	C.	NB.2
442	F.184481*	Valve ...	1	DTD.364	C.	NB.2
7050	F.215727	Valve (replaces F.184481) ...	1	DTD.364	C.	NB.2
4666	F.201931	Washer ...	1	DTD.610	C.	NB.2
1092	A.189002	Washer, sealing at refuelling valve ...	4	E.75	C.	NB.2
1093	F.189004 Std.1547/26/16	Washer, sealing, transfer pipe to tank ...	2	E.75	C.	NB.3
		Washer, profile ...	2	DTD.610		4
1094	A.189042	Washer, sealing at cover plate ...	2	E.75	C.	NB.3
3991	F.197363	Washer, at refuelling valve ...	4	DTD.762	C.	NB.2
446	F.186084	Washer, sealing for vent pipe outlet ...	2	Klingerit	C.	NB.3
1153	F.189005	Washer, sealing for transfer pipe ...	2	DTD.762	C.	NB.3
1154	F.189007	Washer, sealing for transfer pipe ...	2	DTD.762	C.	NB.3

SERVICES—FUEL SYSTEM CENTRE FUSELAGE

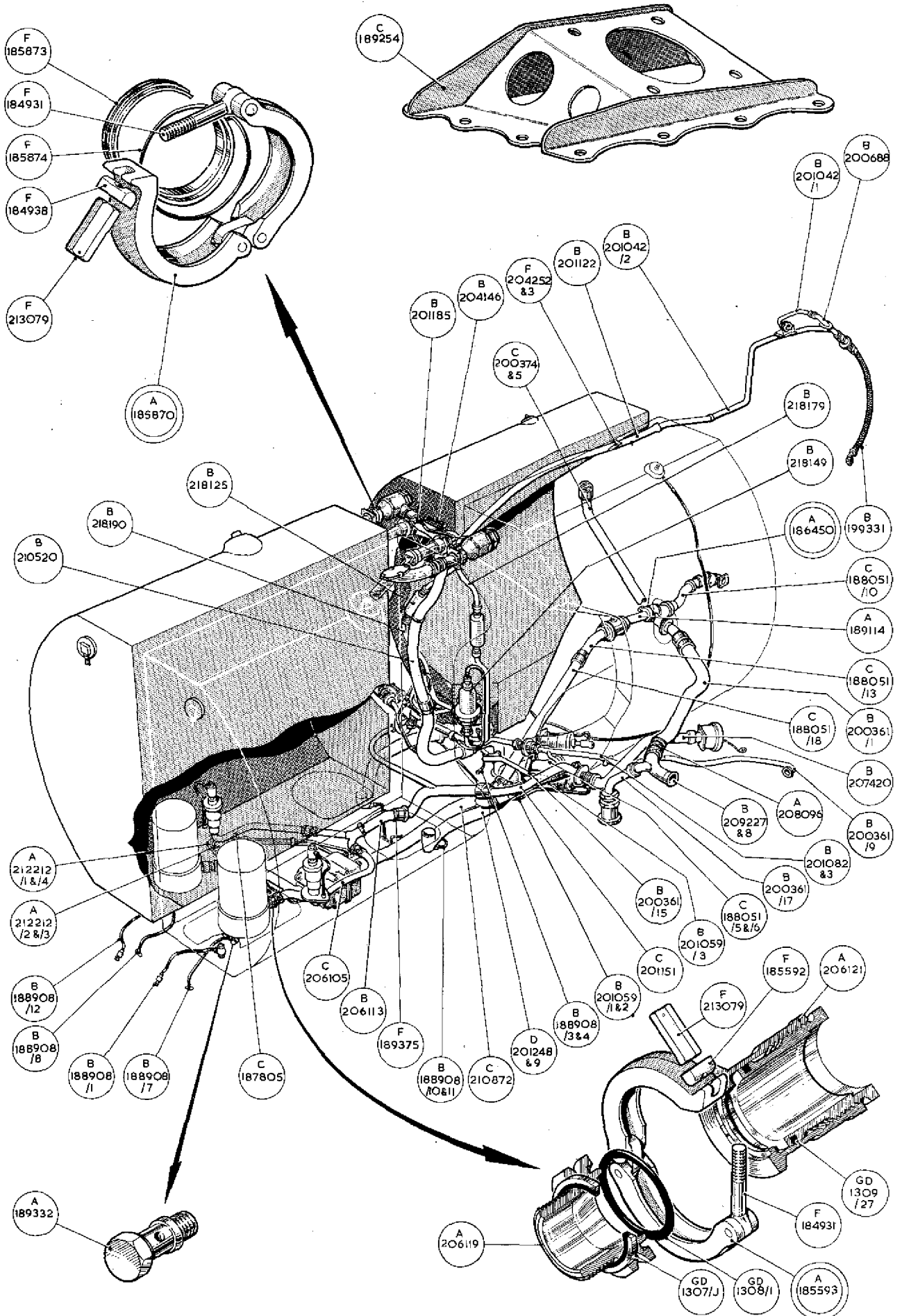
Ref. No.	Part No.	Description	No. Off					Material Specification	M.R. Class of Store	Plate No.
			1	2	3	4	5			
		WING FUSELAGE CONNECTIONS, ASSEMBLY								
	B.208248	Bolt , special for branch pipes					—	—		
8131	F.207610	Bolt , special for branch pipes					—	C.		
421	A.185593	Clamp , pipe connection, group					—	B.	NB.1	
2723	F.184931	Bolt , eye					S.94.B	MR/C	NB.1	
6526	F.213079	Nut , special					S.95	C.	NB.1	
2724	F.185592	Washer					DTD.364	MR/C	NB.1	
5059	A.186451	Clamp , pipe connection, group					—	B.		
2723	F.184931	Bolt , eye					S.94.B	MR/C	NB.1	
6526	F.213079	Nut , special					S.95	C.	NB.1	
2724	F.185592	Washer					DTD.364	MR/C	NB.1	
27F/2328	Flight Refuelling FRS.110J	Connector , pipe 1½" B.S.P.					—	B.		
27F/2330	Flight Refuelling FRS.110L	Connector , pipe 1½" B.S.P.					—	B.		
5089	B.200335	Pipe , fuel, transfer, branch port (Pre Mod. 329) ...					DTD.253	C.		
5090	B.200336	Pipe , fuel, transfer, branch starboard (Pre Mod. 329)					DTD.253	C.		
6162	B.209227	Pipe , fuel, transfer, branch port (Mod. 329) ...					DTD.253	C.	NB.1	
6163	B.209228	Pipe , fuel, transfer, branch starboard (Mod. 329)					DTD.253	C.	NB.1	
6094	A.208096	Pipe , stub, port and starboard (Mod. 329) ...					—		NB.1	
5077	B.200361/1	Pipe , fuel transfer, port					DTD.253	C.	NB.1	
5078	B.200361/2	Pipe , fuel transfer, starboard... ..					DTD.253	C.		
5079	B.200361/3	Pipe , fuel transfer, branch to R.V., port (Pre Mod. 329)					DTD.253	C.		
5080	B.200361/4	Pipe , fuel transfer, branch to R.V., starboard (Pre Mod. 329)					DTD.253	C.		
5083	B.200361/9	Pipe , pressure, connection to connection, port ...					DTD.253	C.	NB.1	
5084	B.200361/10	Pipe , pressure, connection to connection, starboard					DTD.253	C.		
6164	B.200361/16	Pipe , branch to relief valve, starboard (Mod. 329)					DTD.253	C.		
6165	B.200361/17	Pipe , branch to relief valve, port (Mod. 329) ...					DTD.253	C.	NB.1	
3945	Dowty GD.1308/2	Ring , sealing					—	C.		
5100	Dowty GD.1309/21	Ring , sealing					—	C.		
1706	Std.1703/6/C	Screw					S.95.B	C.	5	
5105	B.199293	Valve , refuelling, pressure relief group (Pre Mod. 557)					—	B.	NB.3	
5411	F.199356	Spring					Steel	MR/C	NB.3	
	F.199296	Valve , assembly					—			
	F.199297	Washer					DTD.364			
8129	B.211551	Valve , refuelling pressure relief group (Mod. 557)					—	B.	NB.3	
8186	F.209643	Spring					DTD.239	C.	NB.3	
	F.199296	Valve , assembly					—			
	F.199297	Washer					DTD.364			

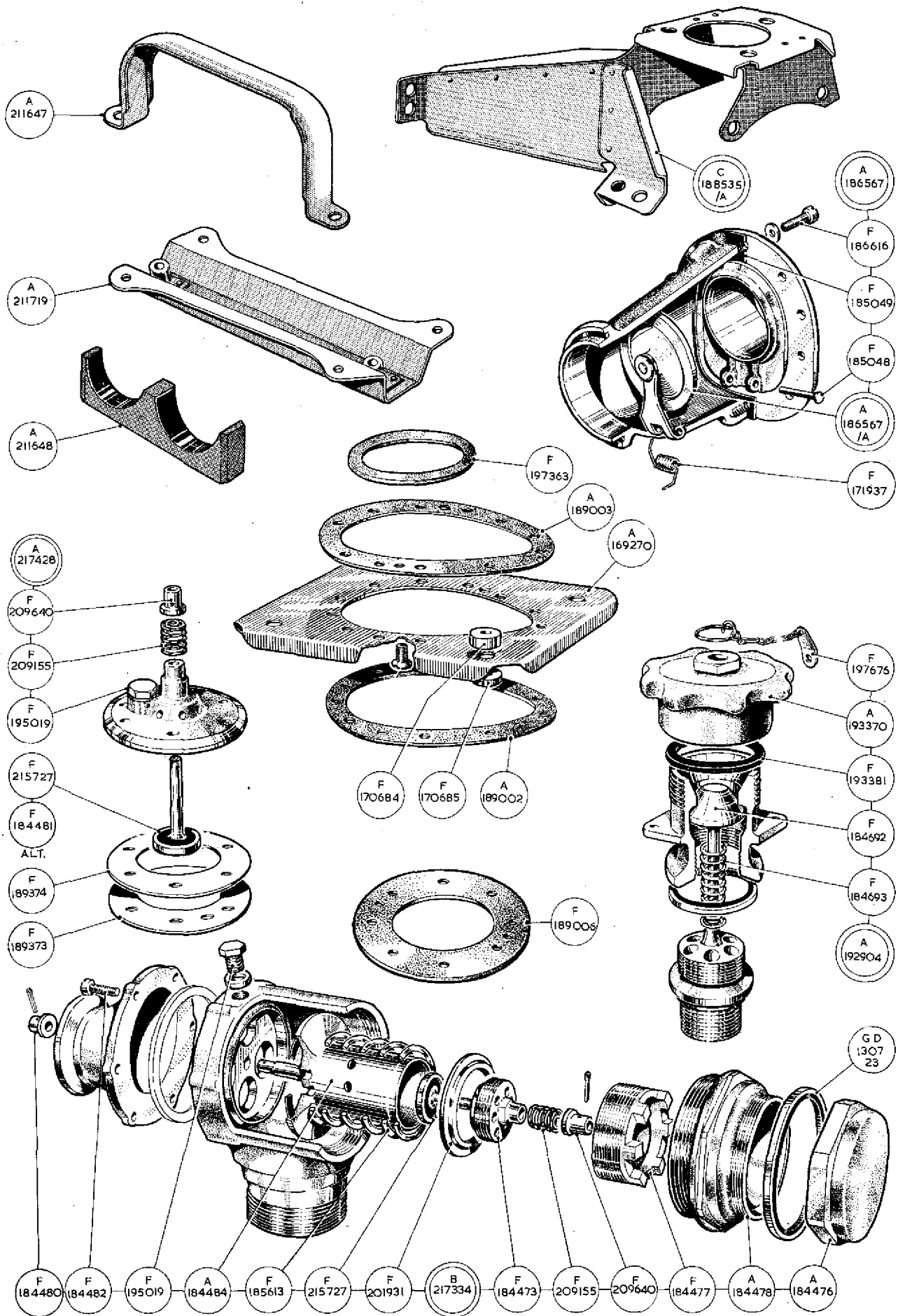
SERVICES—FUEL SYSTEM CENTRE FUSELAGE
 SUMMARY OF STOCK ITEMS

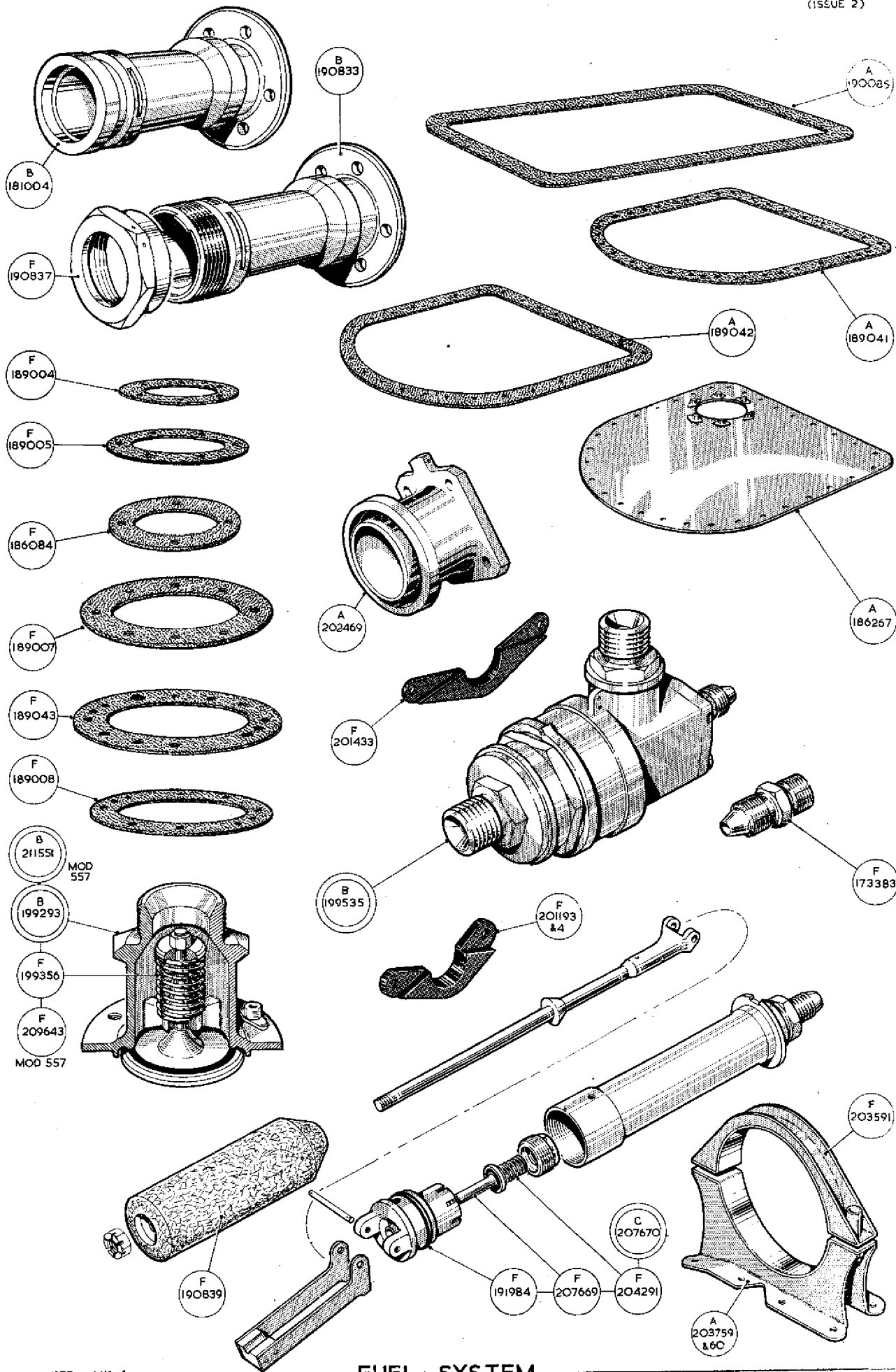
Ref. No.	Part No.	Description	No. Off	Material Specification	M.R. Class of Store	Plate No.
28F/10797	AGS.1129/A	Body, banjo	...	—	—	—
28F/11079	AGS.1129/BB	Body, banjo	...	—	—	—
28F/8221	AGS.1135/A	Bolt, banjo	...	—	—	—
28F/10018	AGS.1135/B	Bolt, banjo	...	—	—	—
28D/12528	A25.1B	Bolt, 4 B.A.	...	—	—	—
28D/12622	A25.3B	Bolt, 4 B.A.	...	—	—	—
28D/12623	A25.5B	Bolt, 4 B.A.	...	—	—	—
28D/12565	A25.8B	Bolt, 4 B.A.	...	—	—	—
28D/12512	A25.1C	Bolt, 2 B.A.	...	—	—	—
28D/12513	A25.2C	Bolt, 2 B.A.	...	—	—	—
28D/12531	A25.3C	Bolt, 2 B.A.	...	—	—	—
28D/12532	A25.4C	Bolt, 2 B.A.	...	—	—	—
28D/12533	A25.5C	Bolt, 2 B.A.	...	—	—	—
28D/12514	A25.7C	Bolt, 2 B.A.	...	—	—	—
28D/12534	A25.9C	Bolt, 2 B.A.	...	—	—	—
28D/12535	A25.12C	Bolt, 2 B.A.	...	—	—	—
28D/12517	A25.17C	Bolt, 2 B.A.	...	—	—	—
28D/12707	A25.1E	Bolt, 1/4" B.S.F.	...	—	—	—
28C/12520	A25.4E	Bolt, 1/4" B.S.F.	...	—	—	—
28D/8307	AS.1242.2C	Bolt, 2 B.A.	...	—	—	—
28D/12134	AS.1248.18.C	Bolt, 2 B.A.	...	—	—	—
28E/10154	AGS.605/00	Clip	...	—	—	—
28F/9708	AGS.1104.B	Cone, adaptor	...	—	—	—
28F/10410	AGS.1104.C	Cone, adaptor	...	—	—	—
28F/10610	AGS.1118.B	Cone, tee	...	—	—	—
28F/9724	AGS.1120.10	Cone, tee	...	—	—	—
5K/3355	AS.3360.B.4.B	Connector, earthing	...	—	—	—
5K/3405	AS.3360.C3B	Connector, earthing	...	—	—	—
5K/3403	AS.3360.C6C	Connector, earthing	...	—	—	—
28L/11048	AGS.2034.A	Lockwasher	...	—	—	—
28Y/15379	AS.4523	Drain	...	—	—	—
28F/9619	AGS.1142.C	Nipple, 3/8"	...	—	—	—
28F/9620	AGS.1142.D	Nipple	...	—	—	—
28F/8235	AGS.1142F	Nipple, 3/8" B.S.P.	...	—	—	—
28F/8280	AGS.1142.H	Nipple, 1/2" B.S.P.	...	—	—	—
28F/8216	AGS.1142.J	Nipple, 1-1/4" B.S.P.	...	—	—	—
28F/11777	AGS.1142.K	Nipple, 1 1/2" B.S.P.	...	—	—	—
28F/11905	AGS.1170.H	Nipple	...	—	—	—
28F/14528	AGS.1170.A	Nipple, 3/8" B.S.P.	...	—	—	—
28F/11906	AGS.1170.J	Nipple	...	—	—	—
28M/10287	AGS.2001.B1	Nut, 4 B.A.	...	—	—	—
28M/10288	AGS.2001.C1	Nut, 2 B.A.	...	—	—	—
28M/10327	AGS.2002.B1	Nut, 4 B.A.	...	—	—	—

SERVICES—FUEL SYSTEM CENTRE FUSELAGE
SUMMARY OF STOCK ITEMS

Ref. No.	Part No.	Description					No. Off	Material Specification	M.R. Class of Store	Plate No.
		1	2	3	4	5				
28M/10328	AGS.2002.C1	Nut, 2 B.A.	—	—	—
28M/10330	AGS.2002.E1	Nut, 1/4" B.S.F.	—	—	—
28M/10218	AGS.2008.E1	Nut, 1/4" B.S.F.	—	—	—
28L/5256	A14.EB	Nut, 1/4" B.S.F.	—	—	—
28M/13121	A27.CS	Nut, 2 B.A.	—	—	—
28F/11258	AGS.1140.J	Plug, nipple, 1 1/4" B.S.P.	—	—	—
28F/14358	AGS.1140.K	Plug, nipple, 1 1/2" B.S.P.	—	—	—
28R/6341	AS.566.B	Plug, 1/4" B.S.P.	—	—	—
28R/11974	AGS.565.C	Plug, 3/8" B.S.P.	—	—	—
28F/11184	AGS.1143A	Plug, cone	—	—	—
28S/2766	A31.C16	Screw, 2 B.A.	—	—	—
28S/2772	A31.C20	Screw, 2 B.A.	—	—	—
28S/3420	A33.B8	Screw, 4 B.A.	—	—	—
28S/13720	A33.B10	Screw, 4 B.A.	—	—	—
28S/15067	AS.2993/5B	Screw, 4 B.A.	—	—	—
28S/13316	AS.2993/6C	Screw, 2 B.A.	—	—	—
28F/12048	AGS.1186.B	Seal	—	—	—
28F/12049	AGS.1186.F	Seal	—	—	—
28F/12087	AGS.1186.K	Seal	—	—	—
28F/5726	AGS.904.J	Sleeve, outer, 1 1/4" B.S.P.	—	—	—
28F/11931	AGS.904.K	Sleeve, outer 1 1/8" B.S.P.	—	—	—
28L/15078	SP.44.C	Washer, tab	—	—	—
28F/11528	AGS.1105F	Union	—	—	—
28F/10509	AGS.1107A	Union, reducing	—	—	—
28F/8215	AGS.1138B	Washer	—	—	—
28F/9652	AGS.1138E	Washer	—	—	—
28F/12047	AGS.1186A	Washer	—	—	—
28F/12048	AGS.1186B	Washer	—	—	—
28W/12441	SP.15A	Washer	—	—	—
28W/12306	SP.15B	Washer	—	—	—
28W/12296	SP.15.C	Washer	—	—	—
28W/12496	SP.15.E	Washer	—	—	—
28W/12355	SP.16.C	Washer	—	—	—
28W/12297	SP.16.E	Washer	—	—	—







This file was downloaded
from the RTFM Library.

Link: www.scottbouch.com/rtfm

Please see site for usage terms,
and more aircraft documents.

