

SERVICES-GUN HEATING

Ref. No.	Part No.	Description	No. Off	Material Specification	M.R. Class of Store	Place No.
		GUN HEATING INSTALLATION, ASSEMBLY				
3921	D.191795	Block, support	1	LFS.23	C.	ND.1
1136	A.186450	Clamp, pipe connection, group	1	—	B.	ND.1
2723	F.184931	Bolt, eye	1	S.94.B	MR/C	ND.1
6526	F.213079	Nut, special	1	S.95	C.	ND.1
2724	F.185592	Washer	1	DTD.364	MR/C	ND.1
4041	F.196289	Clip, half for support block	1	DTD.610	MR/C	ND.1
	Std.841/47	Clip, $\frac{7}{16}$ " wide \times 22 s.w.g. \times 4-7" long	2	DTD.610		4
4038	Std.851/47	Clip, $\frac{7}{16}$ " wide \times 22 s.w.g. \times 4-7" long	8	DTD.610	MR/C	4
3954	Std.851/51	Clip, $\frac{7}{16}$ " wide \times 22 s.w.g. \times 5-1" long	7	DTD.610	C.	4
1366	Std.1682/10	Clip, pipe joint	14	S.3	C.	5
4000	Std.1285/2BB	Connector, earthing	7	—	C.	4
1538	Std.1285/3BB	Connector, earthing	1	—	C.	4
4136	Std.1285/3BC	Connector, earthing	3	—	C.	4
4833	Std.1285/3BD	Connector, earthing	1	—	MR/C	4
1652	B.199332	Hose, flexible (with type AS/AL end couplings)	1	—	C.	ND.1
3922	Dunlop	Hose, valve to gun package, group (alternative to B.216495)	1	—	C.	ND.1
	ACM.17024					
4971	Dunlop	Washer	1	—	C.	
	ACO.20664					
7971	B.216495	Hose, valve to gun package, group (alternative to ACM.17024)	1	—	C.	ND.1
4971	Dunlop	Washer	1	—	C.	
	ACO.20664					
6299	B.192093/11	Pipe (lagged), valve to 1st connection	1	—	B.	ND.1
1654	B.192093/2	Pipe (lagged), 1st connection to 2nd connection	1	—	B.	ND.1
8039	B.206114	Pipe (lagged), 2nd connection to 3rd connection (Mod. 138)	1	—	B.	ND.1
8041	B.192093/12	Pipe (lagged), 3rd connection to 4th connection (Mod. 138)	1	—	B.	ND.1
8040	B.192093/13	Pipe (lagged), 4th connection to 5th connection (Mod. 138)	1	—	B.	ND.1
1657	B.192093/5	Pipe (lagged), 5th connection to 6th connection	1	—	B.	ND.1
3925	B.192093/6	Pipe (lagged), 6th connection to 7th connection	1	—	B.	ND.1
3924	B.192093/7	Pipe (lagged), 7th connection to 8th connection	1	—	B.	ND.1
3923	B.192093/8	Pipe (lagged), 8th connection to flexible pipe	1	—	B.	ND.1
1658	F.192798	Ring, sealing	1	Rubber	C.	ND.1
1659	Std.1744/10	Sleeve	14	Rubber	C.	5
7866	F.215994	Strip, rubbing (Mod. 511)	1	L.59	C.	ND.1
4042	Std.1509/23/030	Tube, distance $\frac{3}{16}$ " o/d \times 17 s.w.g. \times 0-30" long	2	T.4	MR/C	4
	Std.1509/23/060	Tube, distance $\frac{3}{16}$ " o/d \times 17 s.w.g. \times 0-60" long	1	T.4		

RESTRICTED

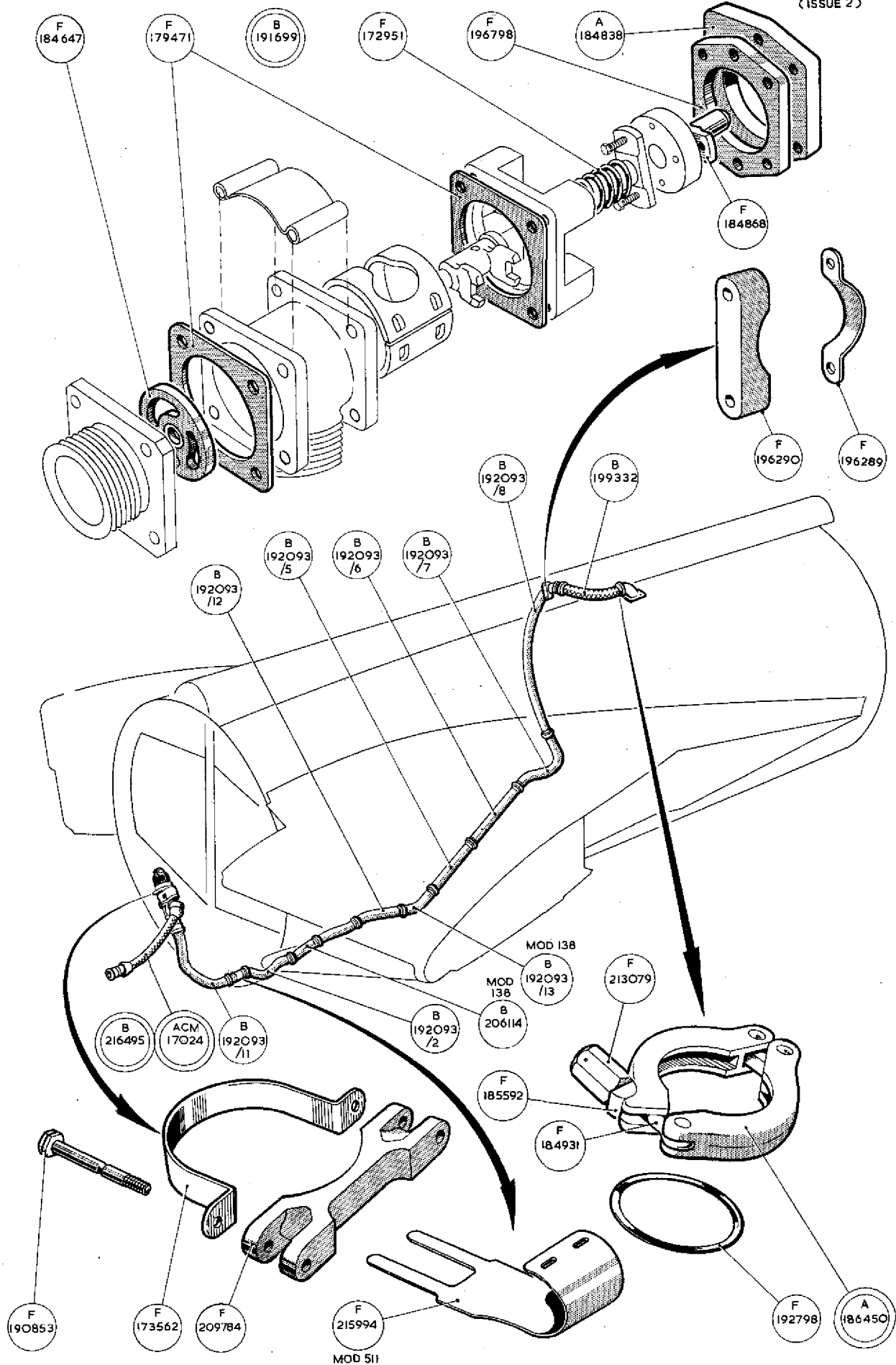
SERVICES-GUN HEATING

Ref. No.	Part No.	Description						No. Off	Material Specification	M.R. Class of Store	Plate No.
			1	2	3	4	5				
	B.191701	VALVE, MOTORISED, ASSEMBLY	—			
6748	F.209784	Block, spacing	1	Casting	C.	ND.1
1395	F.190853	Bolt, special	2	S.95.B	C.	ND.1
2767	F.173562	Clip	1	DTD.610	MR/C	ND.1
	B.191700	Valve, motorised, group	1	—		
5W/330	Plessey CZ.72256	Actuator	1	—	A.	
1661	B.191699	Valve, hot air, group	1	—	B.	ND.1
1662	F.184647	Bearing, shaft	1	S.80.B	C.	ND.1
3879	A.184838	Block, insulating	1	Ferobestos	C.	ND.1
3926	F.196798	Cover, insulating	1	Ferobestos	C.	ND.1
	A.184641	Spindle, valve, group	1	—		
1418	F.184868	Shaft, coupling	1	S.61.B	C.	ND.1
1348	F.172951	Spring	1	Steel	C.	ND.1
1352	F.179471	Washer, joint	2	—	C.	ND.1
3813	Std.1547/22/10	Washer, packing	2	DTD.610	MR/C	
3960	Std.1547/42/12	Washer, at attachment block on frame 33	1	DTD.610	MR/C	

RESTRICTED

SERVICES-GUN HEATING

Ref. No.	Part No.	Description					No. Off	Material Specification	M.R. Class of Store	Plate No.
		1	2	3	4	5				
SUMMARY OF STOCK ITEMS										
28D/12622	A25.3B	Bolt, 4 B.A.	—	—
28D/12512	A25.1C	Bolt, 2 B.A.	—	—
28D/12533	A25.5C	Bolt, 2 B.A.	—	—
28D/12514	A25.7C	Bolt, 2 B.A.	—	—
28D/12536	A25.13C	Bolt, 2 B.A.	—	—
28D/12542	A25.5E	Bolt, 1/2" B.S.F.	—	—
28D/12283	AS.1242.32C	Bolt, 2 B.A.	—	—
28L/13771	SP.41E	Lock, washer, tab	—	—
28F/8280	AGS.1142/H	Nipple	—	—
28F/8216	AGS.1142/J	Nipple	—	—
28M/5315	A16Y.BP	Nut, 4 B.A.	—	—
28M/13121	A27.CS	Nut, 2 B.A.	—	—
28M/10327	AGS.2002.B1	Nut, 4 B.A.	—	—
28M/10328	AGS.2002.C1	Nut, 2 B.A.	—	—
28M/10330	AGS.2002.E1	Nut, 1/2" B.S.F.	—	—
28P/5327	AGS.859/22	Pip, taper	—	—
28S/2761	A31.B12	Screw, 4 B.A.	—	—
28S/2766	A31.C16	Screw, 2 B.A.	—	—
28F/11200	AGS.1103/J	Union, double ended	—	—
28W/12306	SP.15B	Washer, 4 B.A....	—	—
28W/12296	SP.15C	Washer, 2 B.A....	—	—
28W/12355	SP.16C	Washer, 2 B.A.	—	—
28W/12496	SP.15E	Washer, 1/4" dia.	—	—





This file was downloaded
from the RTFM Library.

Link: www.scottbouch.com/rtfm

Please see site for usage terms,
and more aircraft documents.