

SERVICES—HYDRAULICS CENTRE FUSELAGE

Ref. No.	Part No.	Description	No. Off	Material Specification	M.R. Class of Score	Plate No.
	E.205276	HYDRAULICS INSTALLATION, CENTRE FUSELAGE, ASSEMBLY	-	-		
1931	F.144413	Adaptor	2	L.1	C.	NH.1
4151	F.152879	Adaptor	1	L.65.C	C.	NE.1
869	F.140778	Adaptor, reducing	1	L.1	C.	NF.1
4144	F.184983	Adaptor	1	DTD.364	C.	NE.1
4251	B.198944	Apron, for reservoir filler neck	1	-	MR/C	NE.1
2073	F.194928	Block, clamp, on keel member	2	LFS.21	C.	
2074	F.194929	Block, clamp, at front transport joint, frame 19 and keel member	4	LFS.21	C.	
2075	F.194930	Block, clamp, at front transport joint, frame 19 and keel member	5	LFS.21	C.	
2076	F.194931	Block, clamp, on frame 27	2	LFS.21	C.	
8491	A.216089	Block, clamp, on frame 19 (Mod. 457)	2	LFS.21	C.	
2053	F.194339	Block, clamp	18	LFS.21	C.	NG.1
2081	F.195583	Block, clamp, on skin between frames 26 and 27 ...	1	LFS.21	C.	NG.1
2077	F.196062	Block, clamp, on frames 25, 26 and keel member ...	3	LFS.21	C.	
2078	F.196063	Block, clamp, on frames 25, 26 and keel member ...	1	LFS.21	C.	
2132	F.196065	Block, clamp, on port side of diaphragm "G" ...	2	LFS.21	C.	
2084	F.196075	Block, clamp, on frames 25 and 26 and rear spar ...	12	LFS.21	C.	
2133	F.196076	Block, clamp, on frame 23	1	LFS.21	C.	
2134	F.196077	Block, clamp on starboard side frame 26	1	LFS.21	C.	
2110	F.196086	Block, clamp, on frame 22	2	LFS.21	C.	
2111	F.196087	Block, clamp, on skin between frames 26 and 27 ...	1	LFS.21	C.	
2112	F.196088	Block, clamp, on skin between frames 26 and 27 ... (Pre Mod. 198)	1	LFS.21	C.	
6658	F.206075	Block, clamp on skin between frames 26 and 27 ... (Mod. 198)	1	LFS.21	C.	
2113	F.196089	Block, clamp, on skin between frames 26 and 27 ... (Pre Mod. 198)	1	LFS.21	C.	
6431	F.206076	Block, clamp on skin between frames 26 and 27 ... (Mod. 198)	1	LFS.21	C.	
9152	F.223668	Block, clamp, on skin between frames 26 and 27 ...	1	LFS.21	C.	
3920	F.196093	Block, clamp, on diaphragm "K"	2	LFS.21	C.	
9153	F.223669	Block, clamp, between frames 26 and 27	1	LFS.21	C.	
2118	F.196097	Block, clamp, between frames 26 and 27 (Pre Mod. 198)	1	LFS.21	C.	
9154	F.223670	Block, clamp on skin between frames 26 and 27 ... (Mod. 198)	1	LFS.21	C.	
2120	F.196100	Block, clamp, on frame 27	2	LFS.21	C.	
2121	F.196101	Block, clamp, on frame 29	2	LFS.21	C.	
2122	F.196104	Block, clamp, on frame 34	1	LFS.21	C.	
2123	F.196105	Block, clamp, on frame 34	1	LFS.21	C.	
2124	F.196106	Block, clamp, on frame 26	2	LFS.21	C.	
2125	F.196107	Block, clamp, on frame 26	2	LFS.21	C.	
8489	F.216034	Block, clamp, on stringer "K" (Mod. 457)	2	LFS.21	C.	
2105	F.196079	Block, clamp, on frame 26	1	LFS.21	C.	
2106	F.196080	Block, clamp, on frame 26	1	LFS.21	C.	
2107	F.196083	Block, clamp, on frame 26	6	LFS.21	C.	
2114	F.196090	Block, clamp, on frame 34	2	LFS.21	C.	
2119	F.196099	Block, clamp, on frame 28	2	LFS.21	C.	
2127	F.196536	Block, clamp, between frames 33 and 34	1	LFS.21	C.	
2128	F.196537	Block, clamp, between frames 33 and 34	1	LFS.21	C.	
2129	F.196538	Block, clamp, between frames 33 and 34	1	LFS.21	C.	

SERVICES—HYDRAULICS CENTRE FUSELAGE

Ref. No.	Part No.	Description					No. Off	Material Specification	M.R. Class of Store	Place No.
		1	2	3	4	5				
4400	F.200400	Block, clamp, on skin between frames 26 and 27 ...					1	LFS.21	C.	
4401	F.200401	Block, clamp, on skin between frames 26 and 27 ...					1	LFS.21	C.	
4402	F.200402	Block, clamp, on skin between frames 26 and 27 ...					1	LFS.21	C.	
4403	F.200686	Block, clamp, on skin between frames 26 and 27 ...					1	LFS.21	C.	
4404	F.200687	Block, clamp, on skin between frames 26 and 27 ...					1	LFS.21	C.	
4406	F.201560	Block, clamp, on skin between frames 33 and 34 ...					4	LFS.21	C.	
5145	F.205189	Block, clamp, on frame 27 ...					4	LFS.21	C.	
	F.221624	Block, clamp (Mod. 344) ...					2	—	—	
6084	F.206829	Block, clamp on frame 25 (Mod. 205) ...					1	LFS.21	C.	NE.1
6085	F.206830	Block, clamp on frame 25 (Mod. 205) ...					1	LFS.21	C.	NE.1
5208	A.203504 or A.203796	Bracket, mounting for hand pump ...					1	—	C.	NE.1
	F.220538	Body, banjo, double ended (Mod. 344) ...					1	Spg.		
27M/8794	Auto. Prod. AVA.63C	Cap blanking (Mod. 366) ...					2	—	C.	
27M/8774	Auto Prod. AVA.64A	Cap, coupling, 1/8" B.S.P. ...					1	—	C.	
27M/8832	Auto Prod. AVA.64B	Cap, coupling, 1/4" B.S.P. ...					1	—	C.	
27M/8775	Auto Prod. AVA.64C	Cap, coupling, 3/8" B.S.P. ...					1	—	C.	
27M/8901	Auto Prod. AVA.64D	Cap, coupling, 1/2" B.S.P. ...					1	—	C.	
27M/8777	Auto Prod. AVA.64F	Cap, coupling, 3/4" B.S.P. ...					1	—	C.	
5834	F.204832	Cleat, on skin at frame 50A ...					2	LFS.21	C.	NE.1
4146	F.193863	Clip, support, for pressure reducing valve ...					1	S.84 or S83C	C.	NE.1
6933	F.206078	Clip, securing recuperator pipe (Mod. 198) ...					1	S.3	MR/C	
6086	Std.1959/4	Clip, for pipe support, on frame 25 ...					2	S.3	C.	5
3734	Std.840/14	Clip, support, for earthing connectors, 7/8" wide x 22 s.w.g. x 1-4" long (Make from 30/1433)					10	DTD.610	MR/C	4
4158	Std.840/15	Clip, on frame 33 and between frames 33 and 34 ...					2	DTD.610	C.	4
4000	Std.1285/2/BB	Connector, earthing ...					3	—	C.	4
4135	Std.1285/2/BC	Connector, earthing ...					2	—	C.	4
27M/8749	Auto Prod. AVA.55B	Coupling, 1/4" B.S.P. ...					1	—	C.	
27M/8750	Auto Prod. AVA.55C	Coupling, 3/8" B.S.P. ...					1	—	C.	
27M/8752	Auto Prod. AVA.55F	Coupling, 1/2" B.S.P. ...					1	—	C.	

SERVICES—HYDRAULICS CENTRE FUSELAGE

Ref. No.	Part No.	Description	No. Off					Material Specification	M.R. Class of Store	Plate No.	
			1	2	3	4	5				
27M/8761	Auto Prod. AVA.58A	Coupling, 1/8" B.S.P.	1	—	C.	
27M/8900	Auto Prod. AVA.58D*	Coupling, 1/8" B.S.P.	1	—	C.	
27M/9880	Auto Prod. AVA.508D	Coupling, 1/2" B.S.P.	1	—	C.	
27M/9461	Auto Prod. MFHA.42	Element, filter (Purolater)	1	—	C.	
4674	F.201941	Fairlead	1	LFS.21	C.	NE.1
5270	A.207612	Filter, oil, body group	1	—	A.	
5837	F.204150	Adaptor	1	S.95	C.	NE.1
5836	F.204407	Screw, drain	1	S.14	C.	NE.1
	Tecalemit 1970/92	Washer, for adaptor	1	—		
26AQ/5706	Tecalemit 137465	Washer, sealing	1	—	C.	
4673	A.201940	Guard	1	L.72	C.	NE.1
5207	B.203503	Handle, for hand pump, group	1	—	B.	NE.1
27W/1073	UMC.529	Hand-grip	1	—	C.	
4607	F.191292	Pin	1	—	C.	NE.1
5835	A.204714	Hose, flexible, for air brake (Pre Mod. 366)	2	—	C.	NE.1
8126	A.211871	Hose, flexible, for air brake (Mod. 366)	2	—	B.	
27Q/1438	Dowty C.7554Y Mk.A	Jack, undercarriage door, port	1	—	A.	
27Q/1439	Dowty C.7554Y Mk.B	Jack, undercarriage door, starboard	1	—	A.	
2144	Std.1231/3	Lug, locking	4	S.3	C.	
28M/8760	Auto Prod. AVA.57C	Nut, union (Mod. 366)	2	—	C.	
4148	Std.1651/B/57	Olive, restrictor	2	S.1	C.	5
3604†	C.187924/7	Pipe, pressure, tee-piece to tee-piece	1	DTD.323	MR/C	
3605†	C.187924/8	Pipe, pressure, tee-piece to starboard wing break	1	DTD.323	MR/C	
3606†	C.187924/9	Pipe, pressure, tee-piece to union	1	DTD.323	MR/C	
3607†	C.187924/10	Pipe, pressure, union to union	1	DTD.323	MR/C	
3608†	C.187924/11	Pipe, pressure, union to union	1	DTD.323	MR/C	
3609†	C.187924/12	Pipe, pressure, union to union	1	DTD.323	MR/C	
3610†	C.187924/24	Pipe, pressure, B/H union to S.S. coupling	1	DTD.323	MR/C	
1978	C.187924/39	Pipe, return, tee-piece to tee-piece	1	DTD.323	C.	
1979	C.187924/40	Pipe, return, tee-piece to starboard wing break	1	DTD.323	C.	
3615†	C.187924/41	Pipe, return, tee-piece to union	1	DTD.323	MR/C	
3616†	C.187924/42	Pipe, return, union to union	1	DTD.323	MR/C	
3617†	C.187924/43	Pipe, return, union to union	1	DTD.323	MR/C	
3618†	C.187924/44	Pipe, return, union to union	1	DTD.323	MR/C	
3619†	C.187924/47	Pipe, return, B/H union to S.S. coupling	1	DTD.323	MR/C	
1990	C.187924/57	Pipe, undercarriage "up" starboard wing break to tee-piece	1	DTD.323	C.	
3621†	C.187924/58	Pipe, undercarriage "up," tee-piece to union	1	DTD.323	MR/C	
3625†	C.187924/63	Pipe, undercarriage "up," tee-piece to union	1	DTD.323	MR/C	
3626†	C.187924/64	Pipe, undercarriage "up," union to union	1	DTD.323	MR/C	
3627†	C.187924/65	Pipe, undercarriage "up," union to union	1	DTD.323	MR/C	
3628†	C.187924/66	Pipe, undercarriage "up," union to union	1	DTD.323	MR/C	
3629†	C.187924/68	Pipe, undercarriage "down," starboard wing break to union	1	DTD.323	MR/C	
3630†	C.187924/69	Pipe, undercarriage "down," union to tee-piece	1	DTD.323	MR/C	
3632†	C.187924/73	Pipe, undercarriage "down," tee-piece to union	1	DTD.323	MR/C	
3633†	C.187924/74	Pipe, undercarriage "down," union to union	1	DTD.323	MR/C	
1995	C.187924/75	Pipe, undercarriage "down," union to union	1	DTD.323	C.	
3634†	C.187924/76	Pipe, undercarriage "down," union to union	1	DTD.323	MR/C	
3635†	C.187924/77	Pipe, undercarriage air, union to union	1	DTD.323	MR/C	
3636†	C.187924/78	Pipe, undercarriage air, union to union	1	DTD.323	MR/C	

† For details see piping chart

SERVICES-HYDRAULICS CENTRE FUSELAGE

Ref. No.	Part No.	Description	No. Off	Material Specification	M.R.	Place No.
					Class of Store	
		1 2 3 4 5				
3637†	C.187924/79	Pipe, undercarriage air, union to union	1	DTD.323	MR/C	
3638†	C.187924/80	Pipe, undercarriage air, union to starboard wing break	1	DTD.323	MR/C	
1996	C.187924/81	Pipe, port wheel brake, union to union	1	DTD.323	C.	
3639†	C.187924/82	Pipe, port wheel brake, union to union	1	DTD.323	MR/C	
3640†	C.187924/83	Pipe, port wheel brake, union to union	1	DTD.323	MR/C	
3641†	C.187924/84	Pipe, port wheel brake, union to union	1	DTD.323	MR/C	
3642†	C.187924/85	Pipe, port wheel brake, union to port wing break ...	1	DTD.323	MR/C	
3643†	C.187924/86	Pipe, starboard wheel brake, union to union...	1	DTD.323	MR/C	
3644†	C.187924/87	Pipe, starboard wheel brake, union to union...	1	DTD.323	MR/C	
3645†	C.187924/88	Pipe, starboard wheel brake, union to union...	1	DTD.323	MR/C	
1997	C.187924/89	Pipe, starboard wheel brake, union to starboard wing break	1	DTD.323	C.	
1998	C.187924/90	Pipe, aileron power, port wing break to union ...	1	DTD.323	C.	
3646†	C.187924/91	Pipe, aileron power, union to starboard wing break	1	DTD.323	MR/C	
3647†	C.187924/92	Pipe, flap air, union to union	1	DTD.323	MR/C	
3648†	C.187924/93	Pipe, flap air, union to union	1	DTD.323	MR/C	
3649†	C.187924/94	Pipe, flap air, union to union	1	DTD.323	MR/C	
3650†	C.187924/95	Pipe, flap air, union to union	1	DTD.323	MR/C	
3651†	C.187924/96	Pipe, flap air, union to port wing break	1	DTD.323	MR/C	
1999	C.187924/97	Pipe, wing flap "up," port wing break to union ...	1	DTD.323	C.	
2003	C.187924/101	Pipe, wing flap "up," union to starboard wing break	1	DTD.323	C.	
2004	C.187924/102	Pipe, wing flap "down," port wing break to union	1	DTD.323	C.	
2008	C.187924/106	Pipe, wing flap "down," union to starboard wing break	1	DTD.323	C.	
1952†	C.198764/1	Pipe, pressure, engine driven pump to tee-piece ...	1	DTD.323	MR/C	
1954†	C.198764/3	Pipe, pressure, tee-piece to engine pump non-return valve	1	DTD.323	MR/C	
1955†	C.198764/4	Pipe, pressure, engine pump non-return valve to tee-piece	1	DTD.323	MR/C	
1956†	C.198764/5	Pipe, pressure, tee-piece to tee-piece	1	DTD.323	MR/C	
1960†	C.198764/9	Pipe, pressure, union to union	1	DTD.323	MR/C	
1961†	C.198764/10	Pipe, pressure, union to tee-piece	1	DTD.323	MR/C	
1962†	C.198764/11	Pipe, pressure, tee-piece to non-return valve ...	1	DTD.323	MR/C	
1963†	C.198764/12	Pipe, pressure, non-return valve to tee-piece ...	1	DTD.323	MR/C	
1966†	C.198764/15	Pipe, pressure, tee-piece to hand pump pressure relief valve	1	DTD.323	MR/C	
1967†	C.198764/16	Pipe, pressure, tee-piece to bulkhead union	1	DTD.323	MR/C	
3612	C.198764/19	Pipe, suction, union to tee-piece	1	DTD.323	C.	
3613	C.198764/20	Pipe, suction, tee-piece to engine driven pump ...	1	DTD.323	C.	
1971†	C.198764/24	Pipe, suction, tee-piece to hand pump pressure relief valve	1	DTD.323	MR/C	
1976	C.198764/29	Pipe, return, tee-piece to tee-piece	1	DTD.323	C.	
1981†	C.198764/31	Pipe, return, union to bulkhead union	1	DTD.323	MR/C	
1982†	C.198764/32	Pipe, return, tee-piece to 4-way piece	1	DTD.323	MR/C	
1983†	C.198764/33	Pipe, return, 4 way piece to pressure reducing valve	1	DTD.323	MR/C	
1984†	C.198764/34	Pipe, return, 4 way piece to lower pressure relief valve	1	DTD.323	MR/C	
1985†	C.198764/35	Pipe, return, 4 way piece to upper pressure relief valve	1	DTD.323	MR/C	
1986	C.198764/36	Pipe, return, 4 way piece to engine driven pump ...	1	DTD.323	C.	
2000	C.198764/38	Pipe, wing flap "up," union to union	1	DTD.323	C.	

† For details see piping chart

SERVICES—HYDRAULICS CENTRE FUSELAGE

Ref. No.	Part No.	Description					No. Off	Material Specification	M.R. Class of Store	Plate No.				
		1	2	3	4	5								
2001†	C.198764/39	Pipe,	wing	flap	"up,"	union	to	union	1	DTD.323	MR/C	
2002	C.198764/40	Pipe,	wing	flap	"up,"	union	to	union	1	DTD.323	C.	
2005	C.198764/41	Pipe,	wing	flap	"down,"	union	to	union	1	DTD.323	C.	
2006†	C.198764/42	Pipe,	wing	flap	"down,"	union	to	union	1	DTD.323	MR/C	
2007	C.198764/43	Pipe,	wing	flap	"down,"	union	to	union	1	DTD.323	C.	
2009†	C.198764/44	Pipe,	flap	interconnection,	pressure	reducing	valve	to	tee-piece		1	DTD.323	MR/C	
2011†	C.198764/46	Pipe,	flap	interconnection,	non-return	valve	to	4	way	piece	1	DTD.323	MR/C	
2012	C.198764/47	Pipe,	flap	interconnection,	4	way	piece	to	starboard	wing	1	DTD.323	C.	
2013†	C.198764/48	Pipe,	flap	interconnection,	4	way	piece	to	union	...	1	DTD.323	MR/C	
2014	C.198764/49	Pipe,	flap	interconnection,	union	to	port	wing	break	...	1	DTD.323	C.	
2015†	C.198764/50	Pipe,	flap	interconnection,	tee-piece	to	non-return	valve			1	DTD.323	MR/C	
2016†	C.198764/51	Pipe,	flap	interconnection,	non-return	valve	to	4	way	piece	1	DTD.323	MR/C	
2017†	C.198764/52	Pipe,	flap	interconnection,	4	way	piece	to	starboard	wing	1	DTD.323	MR/C	
2018†	C.198764/53	Pipe,	flap	interconnection,	4	way	piece	to	union	...	1	DTD.323	MR/C	
2019	C.198764/54	Pipe,	flap	interconnection,	union	to	port	wing	break		1	DTD.323	C.	
2020	C.198764/55	Pipe,	flap	interconnection,	4	way	piece	to	lower	pressure	1	DTD.323	C.	
2021†	C.198764/56	Pipe,	flap	interconnection,	4	way	piece	to	upper	pressure	1	DTD.323	MR/C	
4851†	C.198764/67	Pipe,	tee-piece	to	union	1	DTD.323	MR/C	
4852†	C.198764/68	Pipe,	tee-piece	to	starboard	wing	break		1	DTD.323	MR/C	
4853†	C.198764/69	Pipe,	tee-piece	to	tee-piece		1	DTD.323	MR/C	
4855†	C.198764/72	Pipe,	tee-piece,	to	tee-piece		1	DTD.323	MR/C	
4856†	C.198764/73	Pipe,	tee-piece	to	non-return	valve		1	DTD.323	MR/C	
4857†	C.198764/74	Pipe,	union	to	port	wing	break		1	DTD.323	MR/C	
5495†	C.198764/75	Pipe,	pressure,	union	to	hand	pump		1	DTD.323	MR/C	
5358	C.198764/82	Pipe,	pressure,	tee-piece	to	4	way	piece	1	DTD.323	C.	
5359	C.198764/83	Pipe,	pressure,	4	way	piece	to	union	1	DTD.323	C.	
5959†	C.198764/84	Pipe,	pressure,	union	to	union		1	DTD.323	MR/C	
5960†	C.198764/85	Pipe,	pressure,	4	way	piece	to	tee-piece	1	DTD.323	MR/C	
5360	C.198764/86	Pipe,	pressure,	4	way	piece	to	pressure	reducing	valve	1	DTD.323	C.	
5962†	C.198764/88	Pipe,	return,	tee-piece	to	4	way	piece	1	DTD.323	MR/C	
5490†	C.198764/91	Pipe,	union	to	restrictor	union		1	DTD.323	MR/C	
5361	C.198764/92	Pipe,	restrictor	union	to	starboard	fairing	door	jack,	"down"	1	DTD.323	C.	
5491†	C.198764/93	Pipe,	undercarriage	"up,"	sequence	valve	to	union	...		1	DTD.323	MR/C	
5492†	C.198764/94	Pipe,	undercarriage	"down,"	sequence	valve	to	union			1	DTD.323	MR/C	
5362	C.198764/95	Pipe,	undercarriage	"up,"	union	to	fairing	door	jack		1	DTD.323	C.	
9565†	C.198764/96	Pipe,	return,	tee-piece	to	port	wing	break	1	DTD.323	MR/C	
5966†	C.198764/97	Pipe,	pressure,	tee-piece	to	union		1	DTD.323	MR/C	
5363	C.198764/98	Pipe,	pressure,	union	to	union,	port	wing	break	...	1	DTD.323	C.	
5967†	C.198764/99	Pipe,	undercarriage	"up,"	union	to	union,	port	wing	break	1	DTD.323	MR/C	
5968†	C.198764/100	Pipe,	undercarriage	"down,"	tee-piece	to	tee-piece				1	DTD.323	MR/C	
5969†	C.198764/101	Pipe,	undercarriage	air,	union	to	port	wing	break	...	1	DTD.323	MR/C	

† For details see piping chart

SERVICES—HYDRAULICS CENTRE FUSELAGE

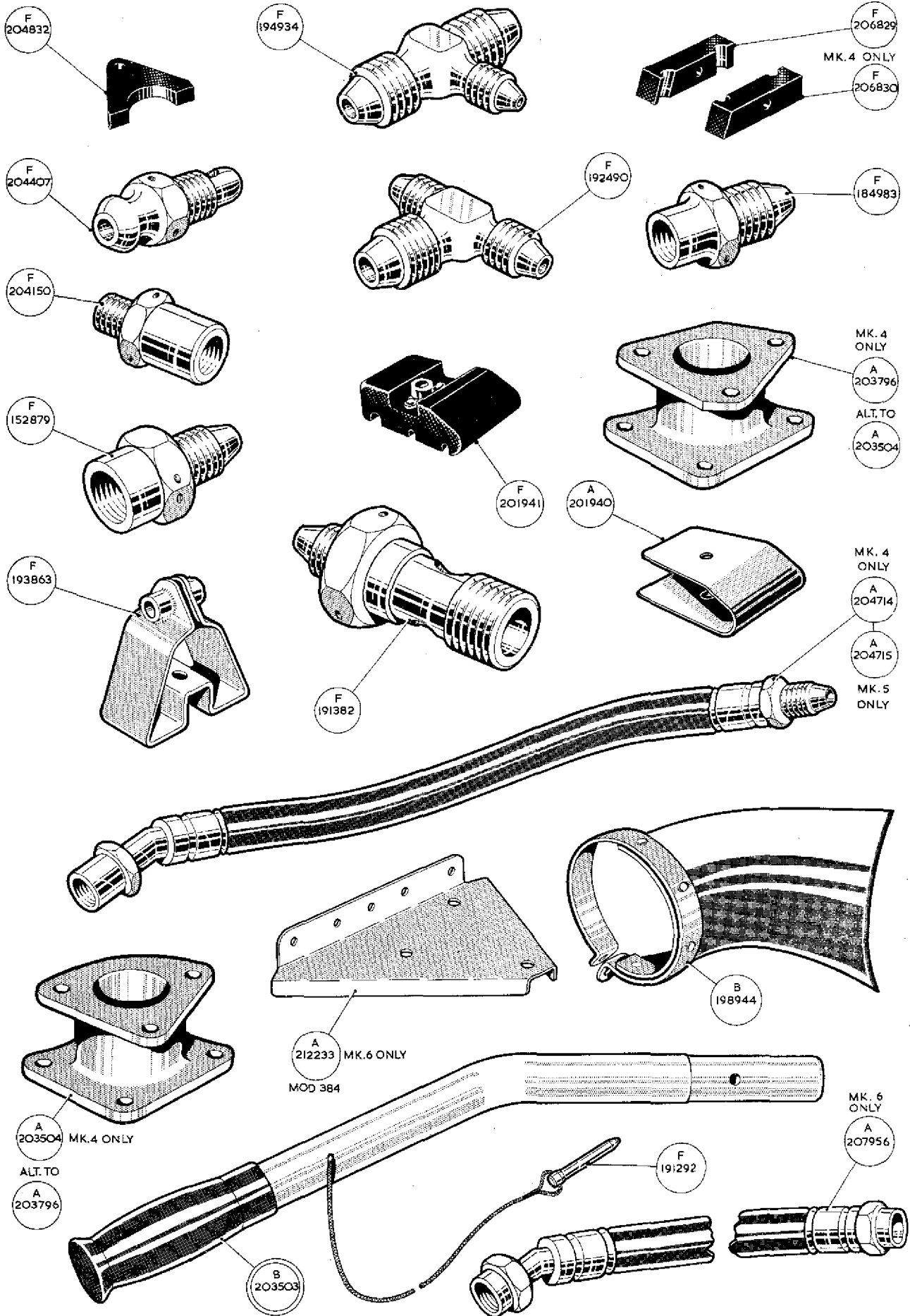
Ref. No.	Part No.	Description	No. Off	Material Specification	M.R. Class of Store	Plate No.
5364	C.198764/102	Pipe, undercarriage air, union to starboard wing break	1	DTD.323	C.	
5365	C.198764/103	Pipe, restrictor union, to port fairing door jack, down	1	DTD.323	C.	
5366	C.198764/104	Pipe, tee-piece to restrictor union	1	DTD.323	C.	
5493†	C.198764/105	Pipe, undercarriage "down," tee-piece to sequence valve	1	DTD.323	MR/C	
5494†	C.198764/106	Pipe, undercarriage "down," union to sequence valve	1	DTD.323	MR/C	
5367	C.198764/107	Pipe, undercarriage "up," union to fairing door jack	1	DTD.323	C.	
	C.198764/108	Pipe, recuperator, union to union (Mod. 198)	1	DTD.323		
	C.198764/109	Pipe, recuperator, union to union (Mod. 198)	1	DTD.323		
8224†	C.198764/132	Pipe, pressure, tee-piece to external supply valve (Mod. 303)	1	DTD.323	MR/C	
7064	C.198764/133	Pipe, suction, tee-piece to external supply valve (Mod. 303)	1	DTD.323	C	
8225†	C.198764/134	Pipe, return, 4 way piece to external supply valve (Mod. 303)	1	DTD.323	MR/C	
8226†	C.198764/135	Pipe, return, 4 way piece to tee piece (Mod. 303)	1	DTD.323	MR/C	
	C.198764/136	Pipe, pressure, union to union (Mod. 457)	1	DTD.323		
8574	C.198764/137	Pipe, pressure, union to union (Mod. 457)	1	DTD.323	C.	
8575	C.198764/138	Pipe, pressure, union to union (Mod. 457)	1	DTD.323	C.	
8576	C.198764/139	Pipe, pressure, union to tee piece (Mod. 457)	1	DTD.323	C.	
8577	C.198764/140	Pipe, pressure, tee-piece to union (Mod. 457)	1	DTD.323	C.	
8572	C.198764/143	Pipe, pressure, union to union (Mod. 457)	1	DTD.323	C.	
8573	C.198764/144	Pipe, pressure, union to union (Mod. 457)	1	DTD.323	C.	
	C.198764/151	Pipe, return, reservoir to tee-piece (Mod. 344)	1	DTD.323		
	C.198764/152	Pipe, return, tee-piece to union (Mod. 344)	1	DTD.323		
	C.198764/153	Pipe, return, union to union (Mod. 344)	1	DTD.323		
	C.198764/154	Pipe, suction, reservoir to filter (Mod. 344)	1	DTD.323		
	C.198764/155	Pipe, suction, filter to union (Mod. 344)	1	DTD.323		
	C.198764/156	Pipe, suction, filter to tee-piece (Mod. 344)	1	DTD.323		
	C.198764/157	Pipe, suction, tee-piece to hand pump (Mod. 344)	1	DTD.323		
	C.198764/158	Pipe, return, reservoir to union (Mod. 344)	1	DTD.323		
	C.198764/159	Pipe, relief, reservoir to atmosphere (Mod. 344)	1	DTD.323		
	C.198764/160	Pipe, pressure, tee-piece to union (Mod. 344)	1	DTD.323		
4145	F.191382	Post, banjo	1	S.95.B	C.	NE.1
27W/1	UMC.501	Pump, hand: (Pre Mod. 225)	1	—	A.	
27Z/3	700/C/10904	Pump, hand: (Mod. 225)	1	—	A.	
27Q/1815	Dowty	Reservoir, hydraulic (Mod. 344)	1	—	A.	
OR	A.8963Y Mk. A					
	or Dowty					
27Q/1816	08963/Y/B.01					
4149	F.192490	Tee-piece, 3/8" x 3/8" x 1/2"	1	—	C.	NE.1
1932	F.194934	Tee-piece, 1/2" x 1/2" x 1/2"	1	Stamping	C.	NE.1
	Std. 1507/23/052	Tube, distance, 5/16" o/d x 17 s.w.g. x 0.25" long	2	T.26		4
5767	Std.1509/12/030	Tube, distance, 1/4" o/d x 20 s.w.g. x 0.3" long (Make from 30B/619)	1	T.4	MR/C	4
4023	Std.1509/12/018	Tube, distance, 1/4" o/d x 20 s.w.g. (Make from 30B/619)	2	T.4	MR/C	4
	Std.1509/12/066	Tube, distance, 1/4" o/d x 20 SWG x 0.66" long	1	T.4		4
27M/8767	Auto Prod. AVA.62C	Union, coupling (Mod. 366)	2	—	C.	
27Q/770	Dowty C.484Y.Mk.E	Valve, pressure relief	1	—	A.	
27Q/1631	Dowty C.8950Y Mk. A	Valve, sequence (Mod. 580)	2	—	A.	
27Q/1200	Dowty C.5853Y.Mk.B	Valve, pressure relief	2	—	A.	
27Q/	Dowty D.8756Y	Valve, non-return	1	—	A.	
27Q/1018	Dowty C.4973Y.Mk.A	Valve, pressure reducing	1	—	A.	
27Q/926	Dowty D.5220Y	Valve, non-return	1	—	A.	
27Q/1539	Dowty D.5213Y AVA.62C	Valve, non-return	2	—	A.	
9174	Std. 915.E18	Washer	2	DTD.610	C.	4
—	C.207895	Wing, fuselage connections (See page No. NH.9) † For details see piping chart	—	—		

SERVICES-HYDRAULICS CENTRE FUSELAGE

Ref. No.	Part No.	Description					No. Off	Material Specification	M.R. Class of Store	Place No.
		1	2	3	4	5				
SUMMARY OF STOCK ITEMS										
28F/11538	AGS.1105/F	Adapter, union	-	-	-	-
28F/10410	AGS.1104/C	Adapter, cone	-	-	-	-
28F/9709	AGS.1104/D	Adapter, cone	-	-	-	-
28F/9728	AGS.1132/F	Body, banjo	-	-	-	-
28F/10798	AGS.1129/B	Body, banjo	-	-	-	-
28D/12528	A25.1B	Bolt, 4 B.A.	-	-	-	-
28D/12511	A25.2B	Bolt, 4 B.A.	-	-	-	-
28D/12622	A25.3B	Bolt, 4 B.A.	-	-	-	-
28D/12530	A25.6B	Bolt, 4 B.A.	-	-	-	-
28D/12624	A25.7B	Bolt, 4 B.A.	-	-	-	-
28D/12565	A25.8B	Bolt, 4 B.A.	-	-	-	-
28D/12625	A25.9B	Bolt, 4 B.A.	-	-	-	-
28D/12626	A25.10B	Bolt, 4 B.A.	-	-	-	-
28D/12627	A25.11B	Bolt, 4 B.A.	-	-	-	-
28D/12673	A25.12B	Bolt, 4 B.A.	-	-	-	-
28D/12810	A25.13B	Bolt, 4 B.A.	-	-	-	-
28D/13182	A25.14B	Bolt, 4 B.A.	-	-	-	-
28D/12512	A25.1C	Bolt, 2 B.A.	-	-	-	-
28D/12513	A25.2C	Bolt, 2 B.A.	-	-	-	-
28D/12531	A25.3C	Bolt, 2 B.A.	-	-	-	-
28D/12532	A25.4C	Bolt, 2 B.A.	-	-	-	-
28D/12566	A25.6C	Bolt, 2 B.A.	-	-	-	-
28D/12514	A25.7C	Bolt, 2 B.A.	-	-	-	-
28D/12534	A25.9C	Bolt, 2 B.A.	-	-	-	-
28D/12515	A25.10C	Bolt, 2 B.A.	-	-	-	-
28D/12516	A25.11C	Bolt, 2 B.A.	-	-	-	-
28D/12536	A25.13C	Bolt, 2 B.A.	-	-	-	-
28D/12630	A25.19C	Bolt, 2 B.A.	-	-	-	-
28D/12567	A25.20C	Bolt, 2 B.A.	-	-	-	-
28D/12520	A25.4E	Bolt, 1/4" B.S.F.	-	-	-	-
28D/12542	A25.5E	Bolt, 1/4" B.S.F.	-	-	-	-
28D/14522	A25.23E	Bolt, 1/4" B.S.F.	-	-	-	-
28D/12635	A25.24E	Bolt, 1/4" B.S.F.	-	-	-	-
28D/12636	A25.25E	Bolt, 1/4" B.S.F.	-	-	-	-
28D/12638	A25.32E	Bolt, 1/4" B.S.F.	-	-	-	-
28F/10018	AGS.1135/B	Bolt, banjo	-	-	-	-
28F/8222	AGS.1135/F	Bolt, banjo	-	-	-	-
28E/	AS.5419/3	Clip	-	-	-	-
28E/14336	AS.5419/4	Clip	-	-	-	-
28E/15049	AS.5419/6	Clip	-	-	-	-
28E/14337	AS.5419/7	Clip	-	-	-	-
28E/14624	AS.5419/8	Clip	-	-	-	-
28E/14338	AS.5419/12	Clip	-	-	-	-
28F/10020	AGS.1120/1	Cone-tee...	-	-	-	-
28F/9720	AGS.1120/3	Cone-tee...	-	-	-	-
28F/9721	AGS.1120/5	Cone-tee...	-	-	-	-
28F/11902	AGS.1120/8	Cone-tee...	-	-	-	-
28F/14399	AGS.1120/13	Cone-tee...	-	-	-	-
28F/10782	AGS.1118/A	Cone-tee...	-	-	-	-
28F/10610	AGS.1118/B	Cone-tee...	-	-	-	-
28F/9716	AGS.1118/C	Cone-tee...	-	-	-	-
28F/9717	AGS.1118/D	Cone-tee...	-	-	-	-
28F/11177	AGS.1159/A	Cone-cap	-	-	-	-

SERVICES-HYDRAULICS CENTRE FUSELAGE

Ref. No.	Part No.	Description	No. Off					Material Specification	M.R. Class of Store	Plate No.
			1	2	3	4	5			
SUMMARY OF STOCK ITEMS										
28F/9735	AGS.1142/A	Nipple	---	---	
28F/9501	AGS.1142/B	Nipple	---	---	
28F/9619	AGS.1142/C	Nipple	---	---	
28F/9620	AGS.1142/D	Nipple	---	---	
28F/8235	AGS.1142/F	Nipple	---	---	
28F/14528	AGS.1170/A	Nipple	---	---	
28F/14123	AGS.1170/B	Nipple	---	---	
28F/14529	AGS.1170/C	Nipple	---	---	
28F/10773	AGS.1170/F	Nipple	---	---	
28M/10287	AGS.2001.B1	Nut, 4 B.A.	---	---	
28M/10288	AGS.2001.C1	Nut, 2 B.A.	---	---	
28M/10327	AGS.2002.B1	Nut, 4 B.A.	---	---	
28M/10328	AGS.2002.C1	Nut, 4 B.A.	---	---	
28M/10340	AGS.2002.E1	Nut, 1/2" B.S.F.	---	---	
28F/5721	AGS.904/A	Sleeve, outer	---	---	
28F/11854	AGS.1113/C	Union, body	---	---	
28F/9725	AGS.1123/A	Union piece	---	---	
28F/12373	AGS.1125/1	Union piece	---	---	
28F/12960	AGS.1125/4	Union piece	---	---	
28F/12244	AGS.1126/10	Union piece	---	---	
28F/9718	AGS.1119/F	Union piece	---	---	
28W/12306	SP.15.B	Washer, 4 B.A....	---	---	
28W/12296	SP.15.C	Washer, 2 B.A....	---	---	
28W/12496	SP.15.E	Washer, 1/2" dia.	---	---	
28W/12731	SP.16.B	Washer	---	---	
28W/12355	SP.16.C	Washer, 2 B.A....	---	---	
28W/12297	SP.16.E	Washer, 1/2" dia.	---	---	
28F/11949	AGS.1115/4	Washer plate	---	---	
28F/12049	AGS.1186/F	Washer	---	---	
28F/11581	AGS.1186/D	Washer	---	---	
28F/11958	AGS.1186/C	Washer	---	---	
28F/12048	AGS.1186/B	Washer	---	---	



This file was downloaded
from the RTFM Library.

Link: www.scottbouch.com/rtfm

Please see site for usage terms,
and more aircraft documents.

