

SERVICES—HYDRAULICS FRONT FUSELAGE

Ref. No.	Part No.	Description					No. Off	Material Specification	M.R. Class of Store	Plate No.
		1	2	3	4	5				
	E.222095	<b>HYDRAULIC INSTALLATION IN FRONT FUSELAGE, ASSEMBLY (Mod. 457)</b>					-	-	-	
	B.203257	<b>ACCUMULATOR, FOR BRAKE AT FRAME 6, ASSEMBLY</b>					-	-	-	
27VA/4562	Dunlop A.C.12810	<b>Accumulator, hydraulic (Pre Mod. 294) ... ..</b>					2	-	A.	
27VA/5145	Dunlop A.C.14010	<b>Accumulator, hydraulic (Mod. 294) ... ..</b>					2	-	A.	
4588	A.203239	<b>Bracket, support, outer, for accumulator ... ..</b>					2	S.3	C.	NF.1
2842	A.187881	<b>Bracket, supporting accumulator ... ..</b>					2	S.3	MR/C	NF.1
4594	Std.1166/16	<b>Clip, half ... ..</b>					2	S.3 & T.26	C.	4
869	F.140778	<b>Adaptor ... ..</b>					1	-	C.	NF.1
1467	F.190363	<b>Block, clamp, at frame 6 ... ..</b>					1	LFS.21	C.	NF.1
2052	F.194338	<b>Block, pipe clamp, between frames 5 and 6, at brake relay control valve</b>					1	LFS21	C.	
2053	F.194339	<b>Block, pipe clamp, between frames 5 and 6, at brake relay control valve</b>					1	LFS21	C.	
2056	F.193810	<b>Block, pipe clamp, at frames 5 and 11, also between frames 4 and 7</b>					5	LFS.21	C.	
2057	F.193811	<b>Block, pipe clamp, at frames 5 and 11, also between frames 4 and 7</b>					7	LFS.21	C.	
2058	F.193813	<b>Block, pipe clamp, at frame 15 ... ..</b>					1	LFS.21	C.	
2059	F.193814	<b>Block, pipe clamp, at frame 15 ... ..</b>					1	LFS.21	C.	
2060	F.193815	<b>Block, pipe clamp, at frame 15 ... ..</b>					2	LFS.21	C.	
2061	F.193816	<b>Block, pipe clamp, at frame 15 ... ..</b>					1	LFS.21	C.	
2062	F.193817	<b>Block, pipe clamp, at frame 15 ... ..</b>					1	LFS.21	C.	
2063	F.193820	<b>Block, pipe clamp, at frame 13 ... ..</b>					1	LFS.21	C.	
2064	F.193821	<b>Block, pipe clamp, at frame 13 ... ..</b>					1	LFS.21	C.	
2065	F.193822	<b>Block, pipe clamp, at frame 13 ... ..</b>					1	LFS.21	C.	
2066	F.193823	<b>Block, pipe clamp, at frame 12 ... ..</b>					1	LFS.21	C.	
2067	F.193824	<b>Block, pipe clamp, at frame 12 ... ..</b>					1	LFS.21	C.	
2068	F.193825	<b>Block, pipe clamp, at frame 12 ... ..</b>					1	LFS.21	C.	
2069	F.193852	<b>Block, pipe clamp, at frames 10 and 12 ... ..</b>					4	LFS.21	C.	
2070	F.193856	<b>Block, pipe clamp, at frame 10 ... ..</b>					2	LFS.21	C.	
2071	F.193857	<b>Block, pipe clamp, at frame 10 ... ..</b>					2	LFS.21	C.	
2072	F.193854	<b>Block, pipe clamp, at frames 5, 9 and 13, also between frames 11 and 12</b>					7	LFS.21	C.	
4225	F.199972	<b>Block, pipe clamp, at frame 10 ... ..</b>					2	LFS.21	C.	
2096	F.193855	<b>Block, pipe clamp, between frames 11 and 12 ... ..</b>					1	LFS.21	C.	
2097	F.194348	<b>Block, pipe clamp, at frame 9 ... ..</b>					1	LFS.21	C.	
4884	F.200006	<b>Block, pipe clamp, at frame 8 ... ..</b>					1	LFS.21	C.	
2098	F.194349	<b>Block, pipe clamp, at frame 9 ... ..</b>					1	LFS.21	C.	
4885	F.200007	<b>Block, pipe clamp, at frame 8 ... ..</b>					1	LFS.21	C.	
2099	F.194350	<b>Block, pipe clamp, at frame 9 ... ..</b>					1	LFS.21	C.	
4886	F.200008	<b>Block, pipe clamp, at frame 8 ... ..</b>					1	LFS.21	C.	
2132	F.196065	<b>Block, pipe clamp, between frames 5 and 6 ... ..</b>					2	LFS.21	C.	
4887	F.200009	<b>Block, pipe clamp, at frame 8 ... ..</b>					1	LFS.21	C.	
6092	F.209674	<b>Block, pipe clamp, at frame 14 ... ..</b>					1	LFS.21	C.	
6093	F.209675	<b>Block, pipe clamp, at frame 14 ... ..</b>					1	LFS.21	C.	
8193	F.213463	<b>Block, clamp, at charging valve (Mod. 334) ... ..</b>					1	LFS.21	MR/C	
8490	F.216054	<b>Block, clamp, at frame 14 (Mod. 457) ... ..</b>					1	LFS.21	C.	
8491	A.216089	<b>Block, clamp, at frames 17A and B (Mod. 457) ... ..</b>					4	LFS.21	C.	
8487	F.217704	<b>Block, clamp, for flexible hose, frames 11 and 12 (Mod. 457)</b>					2	LFS.21	C.	
447	F.186436	<b>Bolt, air bottle strap clamping ... ..</b>					2	S.95.B	C.	NF.1
863	F.190229	<b>Bolt, air bottle strap connecting ... ..</b>					2	S.95.B	C.	NF.1
27VA/3988	Dunlop A.C.M.16782	<b>Bottle, air, spherical ... ..</b>					2	-	A.	

SERVICES—HYDRAULICS FRONT FUSELAGE

Ref. No.	Part No.	Description	No. Off					Material Specification	M.R. Class of Store	Plate No.
			1	2	3	4	5			
	C.201308	<b>CABLE RUN, FOR BRAKE CONTROL VALVE, ASSEMBLY</b>								
4441	Dunlop A.C.M.17353	Cable, brake control ... ..	1				—	B.		
4439	F.201310	Cleat, for brake cable adjuster ... ..	2				DTD.610	MR/C	NF.1	
4440	F.201307	Clip, for brake cable ... ..	2				S.3	MR/C	NF.1	
4442	A.201281	Guard ... ..	1				S.3	MR/C	NF.1	
3740	Std.840/33	Clip, securing thermal valve, $\frac{7}{16}$ " wide $\times$ 22 S.W.G. $\times$ 3-3" long (Make from 30B/1433)	1				DTD.610	MR/C	4	
3748	Std.841/34	Clip, $\frac{7}{16}$ " wide $\times$ 22 S.W.G. $\times$ 3-4" long ... ..	1				DTD.610	MR/C	4	
5720	Std.842/11	Clip, securing pipes, $\frac{7}{16}$ " wide $\times$ 22 S.W.G. $\times$ 1-1" long (Make from 30A/1284)	2				S.3	MR/C	4	
3753	Std.842/18	Clip, securing pipe, $\frac{7}{16}$ " wide $\times$ 22 S.W.G. $\times$ 1-8" long (Make from 30A/1284)	1				S.3	MR/C	4	
3754	Std.842/20	Clip, securing pipes from air bottles, $\frac{7}{16}$ " wide $\times$ 22 S.W.G. $\times$ 2" long (Make from 30A/1284)	1				S.3	MR/C	4	
6A/1230	—	Choke, E.L. ... ..	1				—	B.		
6A/2693	—	Gauge, pressure, Mk. 14LL ... ..	1				—	A.		
6A/2691	—	Gauge, pressure, Mk. 14KK 0-3000 lb. E.L. ... ..	2				—	A.		
6A/3821	Dunlop A.C.O.9719	Gauge, triple pressure ... ..	1				—	A.		
27M/9889	Auto Prod. AVA.322/A/ 22-50	Hose, flexible, $\frac{1}{8}$ " (Mod. 457) ... ..	1				—	C.		
27Q/1635	Dowty C.7889Y Mk. A	Jack, aileron gearing, 2-position (Mod. 457) ... ..	1				—	A.		
	F.211703	Label, for pressure gauge (Mod. 354) ... ..	1				L.72			
	F.207769	Label, undercarriage, flaps and anti-G charging pressure	1				L.72			
6A/2771	—	Label ... ..	3				—	C.		
2144	Std.1231/3	Lug, locking ... ..	5				S.3	C.	4	
	A.192688	<b>MOUNTING, FOR BRAKE PRESSURE RELAYS ON FRAME No. 11, ASSEMBLY</b>								
3748	Std.841/34	Clip, securing, $\frac{7}{16}$ " wide $\times$ 22 S.W.G. $\times$ 3-4" long (Make from 30B/1433)	2				DTD.610	MR/C	4	
2845	A.192688/1	Packing, 2-65" long $\times$ .45" wide $\times$ $\frac{1}{8}$ " thick ... ..	2				DTD.590	MR/C	NF.1	
27VA/5202	Dunlop A.C.M.18570 or A.C.M.18798	Relay, pressure ... ..	2				—	A.		
27VA/5284	2845	Packing, for pressure relay ... ..	1				DTD.590	MR/C	NF.1	
	C.187921/1	Pipe, pressure, tee-piece to union ... ..	1				DTD.323			
	C.187921/2	Pipe, pressure, union to tee-piece ... ..	1				DTD.323			
	C.187921/3	Pipe, pressure, tee-piece to union ... ..	1				DTD.323			
	C.187921/4	Pipe, pressure, union to non-return valve ... ..	1				DTD.323			
	C.187921/5	Pipe, pressure, non-return valve to 4-way piece (Pre Mod. 294)	1				DTD.323			
	C.187921/6	Pipe, pressure, 4-way piece to relay valve (Pre Mod. 294)	1				DTD.323			
	C.187921/8	Pipe, pressure, tee-piece to pressure switch ... ..	1				DTD.323			
	C.187921/9	Pipe, pressure, tee-piece to pressure relay ... ..	1				DTD.323			
	C.187921/10	Pipe, pressure relay to choke ... ..	1				DTD.323			
	C.187921/11	Pipe, pressure, choke to bulkhead connection ... ..	1				DTD.323			
	C.187921/14	Pipe, return, union to union ... ..	1				DTD.323			
	C.187921/15	Pipe, return, union to tee-piece ... ..	1				DTD.323			
		† For details see Piping Chart								

SERVICES—HYDRAULICS FRONT FUSELAGE

Ref. No.	Part No.	Description					No. Off	Material Specification	M.R. Class of Store	Plate No.
		1	2	3	4	5				
†	C.187921/16	Pipe,	return,	tee-piece	to non-return valve ...	1	DTD.323			
†	C.187921/17	Pipe,	return,	non-return valve	to relay valve ...	1	DTD.323			
†	C.187921/18	Pipe,	return,	tee-piece	to thermal relief valve ...	1	DTD.323			
†	C.187921/19	Pipe,	return,	thermal relief valve	to 4-way piece ...	1	DTD.323			
					(Pre Mod. 194)					
†	C.187921/20	Pipe,	undercarriage	up,	union to union ...	1	DTD.323			
†	C.187921/21	Pipe,	undercarriage	up,	union to tee-piece ...	1	DTD.323			
†	C.187921/22	Pipe,	undercarriage	up,	tee-piece to restrictor ...	1	DTD.323			
1944	C.187921/23	Pipe,	undercarriage	up,	restrictor to nose wheel jack ...	1	DTD.323	C.		
†	C.187921/24	Pipe,	undercarriage	up,	tee-piece to union ...	1	DTD.323			
†	C.187921/25	Pipe,	undercarriage	up,	union to sequence valve ...	1	DTD.323			
†	C.187921/26	Pipe,	undercarriage	up,	sequence valve to union ...	1	DTD.323			
†	C.187921/27	Pipe,	undercarriage	up,	union to union ...	1	DTD.323			
1945	C.187921/28	Pipe,	undercarriage	up,	union to nose wheel door jack ...	1	DTD.323	C.		
†	C.187921/29	Pipe,	undercarriage	down,	union to union ...	1	DTD.323			
†	C.187921/30	Pipe,	undercarriage	down,	union to tee-piece ...	1	DTD.323			
†	C.187921/33	Pipe,	undercarriage	down,	tee-piece to union ...	1	DTD.323			
†	C.187921/34	Pipe,	undercarriage	down,	union to restrictor ...	1	DTD.323			
1947	C.187921/35	Pipe,	undercarriage	down,	restrictor to nose wheel door jack ...	1	DTD.323	C.		
†	C.187921/36	Pipe,	port brake,	union to union ...	1	DTD.323				
†	C.187921/37	Pipe,	port brake,	union to tee-piece ...	1	DTD.323				
†	C.187921/38	Pipe,	port brake,	tee-piece to union ...	1	DTD.323				
†	C.187921/39	Pipe,	port brake,	union to relay valve... ...	1	DTD.323				
†	C.187921/40	Pipe,	port brake,	tee-piece to pressure relay ...	1	DTD.323				
†	C.187921/41	Pipe,	port brake,	pressure relay to bulkhead connection ...	1	DTD.323				
†	C.187921/43	Pipe,	starboard brake,	union to union ...	1	DTD.323				
†	C.187921/44	Pipe,	starboard brake,	union to tee-piece ...	1	DTD.323				
†	C.187921/45	Pipe,	starboard brake,	tee-piece to union ...	1	DTD.323				
†	C.187921/46	Pipe,	starboard brake,	union to relay valve ...	1	DTD.323				
†	C.187921/47	Pipe,	starboard brake,	tee-piece to pressure relay ...	1	DTD.323				
†	C.187921/48	Pipe,	starboard brake,	pressure relay to bulkhead connection ...	1	DTD.323				
†	C.187921/50	Pipe,	brake air,	accumulator to union ...	1	DTD.323				
†	C.187921/51	Pipe,	brake air,	union to bulkhead connection ...	1	DTD.323				
†	C.187921/53	Pipe,	flap and undercarriage	air, charging connection to union ...	1	DTD.323				
†	C.187921/55	Pipe,	flap and undercarriage	air, bulkhead connection to 4-way piece ...	1	DTD.323				
†	C.187921/56	Pipe,	undercarriage	air, 4-way piece to non-return valve ...	1	DTD.323				
†	C.187921/57	Pipe,	undercarriage	air, non-return valve to air bottle ...	1	DTD.323				
†	C.187921/58	Pipe,	undercarriage	air, air bottle to tee-piece ...	1	DTD.323				
†	C.187921/59	Pipe,	undercarriage	air, tee-piece to air release valve ...	1	DTD.323				
†	C.187921/61	Pipe,	undercarriage	air, bulkhead connection to tee-piece ...	1	DTD.323				
†	C.187921/62	Pipe,	undercarriage	air, tee-piece to union ...	1	DTD.323				
†	C.187921/63	Pipe,	undercarriage	air, tee-piece to gauge ...	1	DTD.323				
†	C.187921/64	Pipe,	flap air,	4-way piece to non-return valve ...	1	DTD.323				
†	C.187921/65	Pipe,	flap air,	non-return valve to air-bottle ...	1	DTD.323				
†	C.187921/66	Pipe,	flap air,	bottle to tee-piece ...	1	DTD.323				
†	C.187921/67	Pipe,	flap air,	tee-piece to union ...	1	DTD.323				

† For details see Piping Chart

SERVICES—HYDRAULICS FRONT FUSELAGE

Ref. No.	Part No.	Description					No. Off	Material Specification	M.R. Class of Store	Plate No.
		1	2	3	4	5				
†	C.187921/71	Pipe	flap	air,	bulkhead connection to union ...	1	DTD.323			
†	C.187921/72	Pipe	flap	air,	union to union ...	1	DTD.323			
†	C.187921/73	Pipe	flap	air,	tee-piece to gauge ...	1	DTD.323			
†	C.187921/74	Pipe	undercarriage	down,	union to shuttle valve ...	1	DTD.323			
†	C.187921/75	Pipe	undercarriage	down,	shuttle valve to union ...	1	DTD.323			
†	C.187921/76	Pipe	undercarriage	air,	tee-piece to shuttle valve ...	1	DTD.323			
†	C.187921/77	Pipe	pressure,	tee-piece	to union ...	1	DTD.323			
†	C.187921/78	Pipe	pressure,	union	to union ...	1	DTD.323			
†	C.187921/79	Pipe	port	brake,	bulkhead connection to union ...	1	DTD.323			
†	C.187921/80	Pipe	starboard	brake,	bulkhead connection to union ...	1	DTD.323			
†	C.187921/81	Pipe	brake	air,	bulkhead connection to gauge ...	1	DTD.323			
†	C.187921/82	Pipe	pressure,	union	to gauge ...	1	DTD.323			
†	C.187921/83	Pipe	port	brake,	union to gauge ...	1	DTD.323			
†	C.187921/84	Pipe	starboard	brake,	union to gauge ...	1	DTD.323			
†	C.187921/85	Pipe	flap	air,	union to air release valve ...	1	DTD.323			
	C.187921/86	Pipe	flap	air,	release valve to union ...	1	DTD.323			
4589	C.187921/94	Pipe	air,	accumulator	to accumulator ...	1	DTD.323	C.		
4590	C.187921/95	Pipe	pressure,	4-way	piece to tee-piece ...	1	DTD.323	C.		
4591	C.187921/96	Pipe	(Pre Mod. 294)		... ..	1	DTD.323	C.		
4592	C.187921/97	Pipe	(Pre Mod. 294)		... ..	1	DTD.323	C.		
	C.187921/111	Pipe	undercarriage	air,	air release valve to bulkhead connection	1	DTD.253			
	C.187921/112	Pipe	flap	air,	union to bulkhead connection ...	1	DTD.253			
7140	C.187921/113	Pipe	flap	and	undercarriage air, connection to union (Mod. 276)	1	DTD.323	MR/C		
7141	C.187921/114	Pipe	flap	and	undercarriage air, charging connection to union (Mod. 276)	1	DTD.323	MR/C		
7848	C.187921/115	Pipe	pressure,	tee-piece	to accumulator (Mod. 294)	1	DTD.323	C.		
7849	C.187921/116	Pipe	pressure,	tee-piece	to accumulator (Mod. 294)	1	DTD.323	C.		
8199†	C.187921/117	Pipe	pressure,	non-return	valve to 4-way piece (Mod. 294)	1	DTD.323	MR/C		
8200†	C.187921/118	Pipe	pressure,	4-way	piece to relay valve (Mod. 294)	1	DTD.323	MR/C		
8201†	C.187921/119	Pipe	return,	thermal	relief valve to 4-way piece (Mod. 294)	1	DTD.323	MR/C		
8194	C.187921/120	Pipe	flap	and	undercarriage air, charging connection to union (Mod. 334)	1	DTD.323	MR/C		
	C.187921/123	Pipe	service,	shuttle	valve to union (Mod. 457) ...	1	DTD.323			
	C.187921/124	Pipe	pressure,	shuttle	valve to union (Mod. 457) ...	1	DTD.323			
	C.187921/125	Pipe	pressure,	union	to union (Mod. 457) ...	1	DTD.323			
	C.187921/132	Pipe	return,	tee-piece	to shuttle valve (Mod. 457) ...	1	DTD.323			
	C.187921/133	Pipe	return,	union	to tee-piece (Mod. 457) ...	1	DTD.323			
	C.187921/134	Pipe	flaps	and	undercarriage air, bulkhead connection to connection (Mod. 457)	1	DTD.323			
	C.187921/135	Pipe	nose	wheel	jack to union (Mod. 457) ...	1	DTD.323			
	C.187921/136	Pipe	union	to	tee-piece (Mod. 457) ...	1	DTD.323			
	C.187921/143	Pipe	service,	union	to flexible hose (Mod. 457) ...	1	DTD.323			
8571	C.187921/144	Pipe	pressure,	union	to union (Mod. 457) ...	1	DTD.323	C.		
6081	C.187921/148	Pipe	air,	accumulator	to charging valve (Mod. 289) ...	1	DTD.323	C.		
1474	F.182924	Plate	clamp	(in	halves) ...	2	LFS.21	C.	NF.1	
6751	F.210130	Plate	extension		... ..	1	L.72	C.		
27VA/5202	Dunlop ACM.18570. or	Relay	pressure		... ..	1	—	A.		
27VA/5284	Dunlop ACM.18798									
27Q/931	Dowty D.4141Y	Restrictor			... ..	1	—	A.		



RESTRICTED

Hunter F. Mk. 4  
Issued with Amendment List No. 12

## SERVICES—HYDRAULICS FRONT FUSELAGE

Ref. No.	Part No.	Description					No. Off	Material Specification	M.R. Class of Store	Plate No.
		1	2	3	4	5				
27Q/927	Dowty C.4603Y Mk. A	Valve,	thermal	relief	...	...	1	—	A.	
27Q/1134	Dowty C.4122Y Mk. E	Valve,	shuttle	...	...	...	1	—	A.	
27Q/1708	Dowty D.8680Y Mk. A	Valve,	shuttle	(Mod. 457)...	...	...	1	—	A.	
27Q/926	Dowty D.5220.Y	Valve,	non-return	...	...	...	2	—	A.	
27Q/1539	Dowty D.5213.Y	Valve,	non-return	(Mod. 447)	...	...	2	—	A.	
870	Std.915/B/18	Washer,	4 B.A.	...	...	...	6	DTD.610	C.	4

RESTRICTED

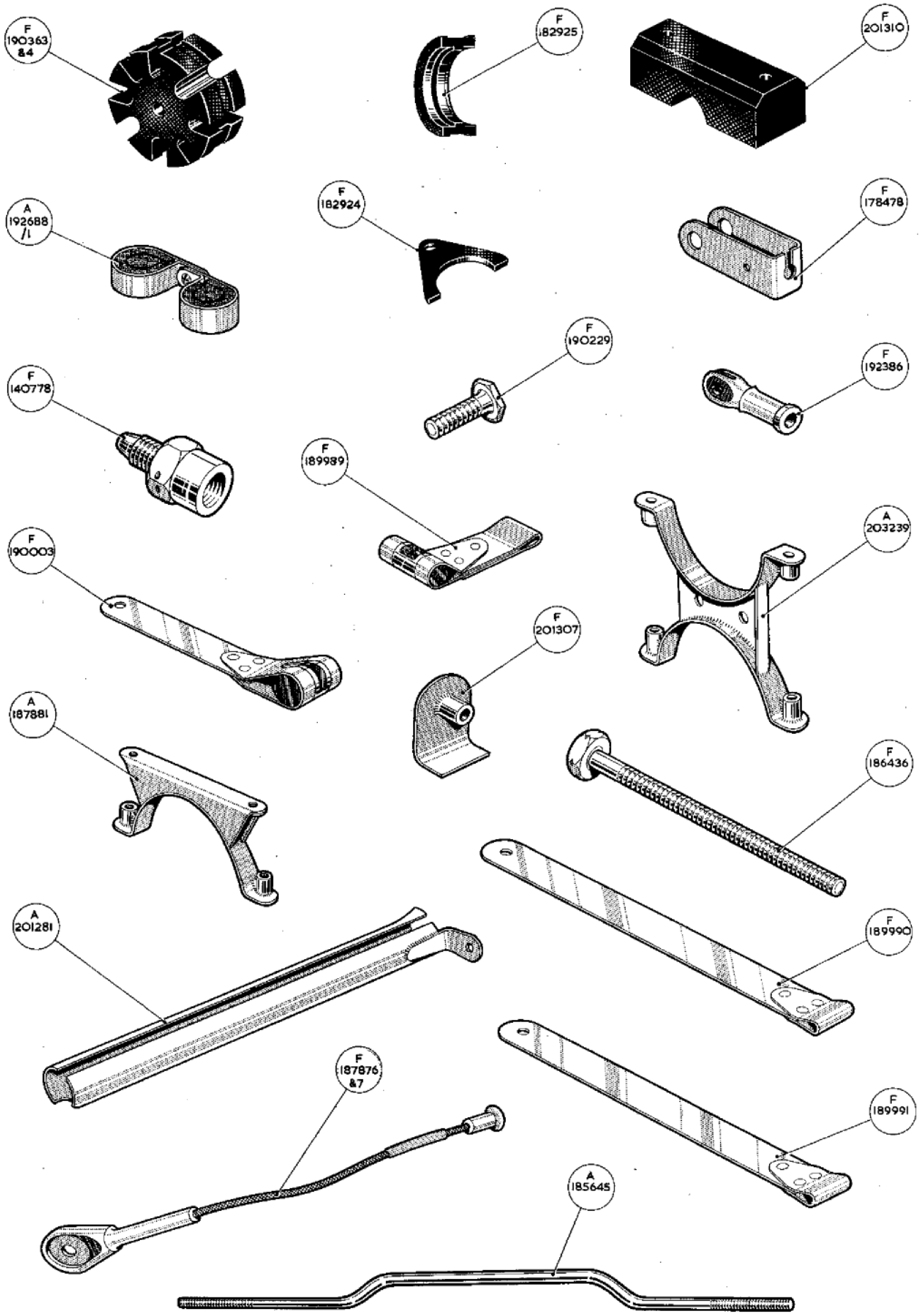
SERVICES—HYDRAULICS FRONT FUSELAGE

Ref. No.	Part No.	Description					No. Off	Material Specification	M.R. Class of Store	Plate No.
		1	2	3	4	5				
<b>SUMMARY OF STOCK ITEMS</b>										
28F/9838	AGS.1104.A	Adaptor	...	...	...	...	...	---	---	---
28Y/12849	AGS.1212	Block, mounting	...	...	...	...	...	---	---	---
28D/12528	A25.1.B	Bolt, 4 B.A.	...	...	...	...	...	---	---	---
28D/12623	A25.5.B	Bolt, 4 B.A.	...	...	...	...	...	---	---	---
28D/12520	A25.6.B	Bolt, 4 B.A.	...	...	...	...	...	---	---	---
28D/12624	A25.7.B	Bolt, 4 B.A.	...	...	...	...	...	---	---	---
28D/12565	A25.8.B	Bolt, 4 B.A.	...	...	...	...	...	---	---	---
28D/12627	A25.11.B	Bolt, 4 B.A.	...	...	...	...	...	---	---	---
28D/12673	A25.12.B	Bolt, 4 B.A.	...	...	...	...	...	---	---	---
28D/13182	A25.14.B	Bolt, 4 B.A.	...	...	...	...	...	---	---	---
28D/12811	A25.16.B	Bolt, 4 B.A.	...	...	...	...	...	---	---	---
28D/13185	A25.17.B	Bolt, 4 B.A.	...	...	...	...	...	---	---	---
28D/12512	A25.1.C	Bolt, 2 B.A.	...	...	...	...	...	---	---	---
28D/12533	A25.5.C	Bolt, 2 B.A.	...	...	...	...	...	---	---	---
28D/12566	A25.6.C	Bolt, 2 B.A.	...	...	...	...	...	---	---	---
28D/12629	A25.8.C	Bolt, 2 B.A.	...	...	...	...	...	---	---	---
28D/12534	A25.9.C	Bolt, 2 B.A.	...	...	...	...	...	---	---	---
28D/12515	A25.10.C	Bolt, 2 B.A.	...	...	...	...	...	---	---	---
28D/12516	A25.11.C	Bolt, 2 B.A.	...	...	...	...	...	---	---	---
28D/12535	A25.12.C	Bolt, 2 B.A.	...	...	...	...	...	---	---	---
28D/12539	A25.16.C	Bolt, 2 B.A.	...	...	...	...	...	---	---	---
28D/12985	A25.25C	Bolt, 2 B.A.	...	...	...	...	...	---	---	---
28D/12630	A25.19.C	Bolt, 2 B.A.	...	...	...	...	...	---	---	---
28D/8347	AS.1248/10C	Bolt, 2 B.A.	...	...	...	...	...	---	---	---
28D/9588	AS.1248/3C	Bolt, 2 B.A.	...	...	...	...	...	---	---	---
28D/12633	A25.7.E	Bolt, 1" B.S.F.	...	...	...	...	...	---	---	---
28E/15930	AS.5419/3	Clip	...	...	...	...	...	---	---	---
28E/14336	AS.5419/4	Clip	...	...	...	...	...	---	---	---
28K/553	SP.3Y/414	Fork-end	...	...	...	...	...	---	---	---
28N/9796	SP.21	Nipple, lubricating	...	...	...	...	...	---	---	---
28F/9501	AGS.1142.B	Nipple	...	...	...	...	...	---	---	---
28F/14528	AGS.1170.A	Nipple	...	...	...	...	...	---	---	---
28F/14123	AGS.1170.B	Nipple	...	...	...	...	...	---	---	---
28M/5316	A27.C.P.	Nut, 2 B.A.	...	...	...	...	...	---	---	---
28L/12931	A27.E.T.	Nut	...	...	...	...	...	---	---	---
28M/10287	AGS.2001.B1	Nut, 4 B.A.	...	...	...	...	...	---	---	---
28M/10288	AGS.2001.C1	Nut, 2 B.A.	...	...	...	...	...	---	---	---
28M/10327	AGS.2002.B1	Nut, 4 B.A.	...	...	...	...	...	---	---	---
28M/10328	AGS.2002.C1	Nut, 2 B.A.	...	...	...	...	...	---	---	---
28M/802	AGS.113.C	Nut, wing	...	...	...	...	...	---	---	---
28F/9725	AGS.1123/A	Piece, 4-way	...	...	...	...	...	---	---	---
28F/12444	AGS.1123/B	Piece, 4-way	...	...	...	...	...	---	---	---
28P/825	SP.4Y.A15	Pin	...	...	...	...	...	---	---	---
28R/13498	AS.1151	Pulley	...	...	...	...	...	---	---	---
28S/2875	A32.B.24	Screw, 4 B.A.	...	...	...	...	...	---	---	---
28S/2868	A32.C.20	Screw, 2 B.A.	...	...	...	...	...	---	---	---
28S/14548	A33.C.10	Screw, 2 B.A.	...	...	...	...	...	---	---	---

SERVICES—HYDRAULICS FRONT FUSELAGE

Ref. No.	Part No.	Description					No. Off	Material Specification	M.R. Class of Store	Plate No.
		1	2	3	4	5				
28F/10782	AGS.1118.A	Tee-piece	...	...	...	...	...	—	—	—
28F/10610	AGS.1118.B	Tee-piece	...	...	...	...	...	—	—	—
28F/10020	AGS.1120/1	Tee-piece	...	...	...	...	...	—	—	—
28F/9722	AGS.1120/6	Tee-piece	...	...	...	...	...	—	—	—
28F/12425	AGS.1109.K	Union, reducing	...	...	...	...	...	—	—	—
28Y/10145	AGS.1200	Valve, charging	...	...	...	...	...	—	—	—
28W/8516	AS.470.C	Washer	...	...	...	...	...	—	—	—
28W/8518	AS.470.E	Washer	...	...	...	...	...	—	—	—
28W/3098	AGS.162.C	Washer, spring	...	...	...	...	...	—	—	—
28W/12306	SP.15.B	Washer, 4 B.A....	...	...	...	...	...	—	—	—
28W/12296	SP.15.C	Washer, 2 B.A....	...	...	...	...	...	—	—	—
28W/12731	SP.16.B	Washer	...	...	...	...	...	—	—	—
28W/12355	SP.16.C	Washer, 2 B.A....	...	...	...	...	...	—	—	—
28F/8225	AGS.1138.A	Washer	...	...	...	...	...	—	—	—
28F/12048	AGS.1186.B	Washer	...	...	...	...	...	—	—	—

APPROVED  
 10 OCT 1957  
 1957  
 1957



This file was downloaded  
from the RTFM Library.

Link: [www.scottbouch.com/rtfm](http://www.scottbouch.com/rtfm)

Please see site for usage terms,  
and more aircraft documents.

