

TAIL UNIT-ELEVATOR

Ref. No.	Part No.	Description	No. Off					Material Specification	M.R. Class of Store	Plate No.
			1	2	3	4	5			
180	E.184985	ELEVATOR, PORT, GROUP	1					A.	PA.1	
181	E.184986	ELEVATOR, STARBOARD, GROUP (Complementary parts, e.g., inter component attachments are listed on page PE.1 and will not be supplied with the assembly spare)	1					A.	PA.1	
464	F.187235	Adjuster , bearing, outer hinge	2				S.96.B	C.	PA.1	
	A.171725	Angle , sub-spar attachment, port	1				Stamping			
	A.171726	Angle , sub-spar attachment, starboard	1				Stamping			
	A.171724	Angle , main spar attachment	2				Stamping			
6761	A.212220	Block , bearing, outer hinge, group	2				Stamping	B.	PA.1	
27S/333	L5CD	Bearing , ball	1				—	B.	PA.1	
3003	F.187236	Retainer , ball bearing	1				S.96.B	MR/C	PA.1	
466	A.184995	Bracket , bearing outer hinge	2				Stamping	C.	PA.1	
	Std.1553/E30	Bolt , 1/2" B.S.F., attachment of spar attachment angles	8				—			
467	F.186712	Bolt , outer hinge	2				S.96.B	C.	PA.1	
	Std.1639/5CX	Bolt , at outer hinge bearing bracket	8				S.95.B			
3004	B.190154	Edge , trailing, port	1				—	MR/C	PA.2	
3005	B.190155	Edge , trailing, starboard	1				—	MR/C	PA.2	
3006	B.190156	Edge , outboard	2				—	MR/C	PA.2	
3007	C.185034	Nosing , port	1				—	MR/C	PA.1	
3008	C.185035	Nosing , starboard	1				—	MR/C	PA.1	
1327	Std.1547/24/12	Packing , radiused, outer hinge	4				DTD.610	C.	PA.1	
	B.184989	Packing , at stub spar, tip	2				DTD.610			
	B.184990	Packing , at sub spar, bottom	2				DTD.610			
	F.185605	Packing , at outboard edge	2				DTD.610			
	C.215688	Interconnection and split lever , port, group	1				—	B.	PA.1	
	C.215689	Interconnection and split lever , starboard, group	1				—	B.	PA.1	
6762	A.212222	Bearing , inner hinge, group	2				—	C.	PA.1	
471	F.186421	Bolt	2				S.1	C.	PA.1	
3009	A.186419	Bush , split (supplied in pairs)	1				B.11	MR/C	PA.1	
	Std.914/E/22	Washer	2				—			
472	F.186426	Block , locating	2				S.98.B	C.	PA.1	
473	A.186420	Bolt , greaser	2				S.96.B	C.	PA.1	
3010	B.186412	Fork-end , port, group	1				—	MR/C	PA.1	
3011	B.186413	Fork-end , starboard, group	1				—	MR/C	PA.1	
474	F.186424	Bush	4				BSS.369	C.	PA.1	
3012	B.186414	Lever , split, port, group	1				—	MR/C	PA.1	
3013	B.186415	Lever , split, starboard, group	1				—	MR/C	PA.1	
474	F.186424	Bush	4				BSS.369	C.	PA.1	
475	A.186422	Pin , bearing	2				S.99.B	C.	PA.1	
476	F.186423	Sleeve	4				S.98.B	C.	PA.1	
477	F.186425	Washer	2				DTD.610	C.	PA.1	
478	A.185603	Panel , access to outer hinge	2				DTD.610	C.	PA.1	
	F.214082	Plate , blanking	1				L.72			
	F.214081	Plate , bolt, for weights	1				—			
	B.185581	Plate , top reinforcing, inboard spar attachment angles, port	1				S.3			

TAIL UNIT-ELEVATOR

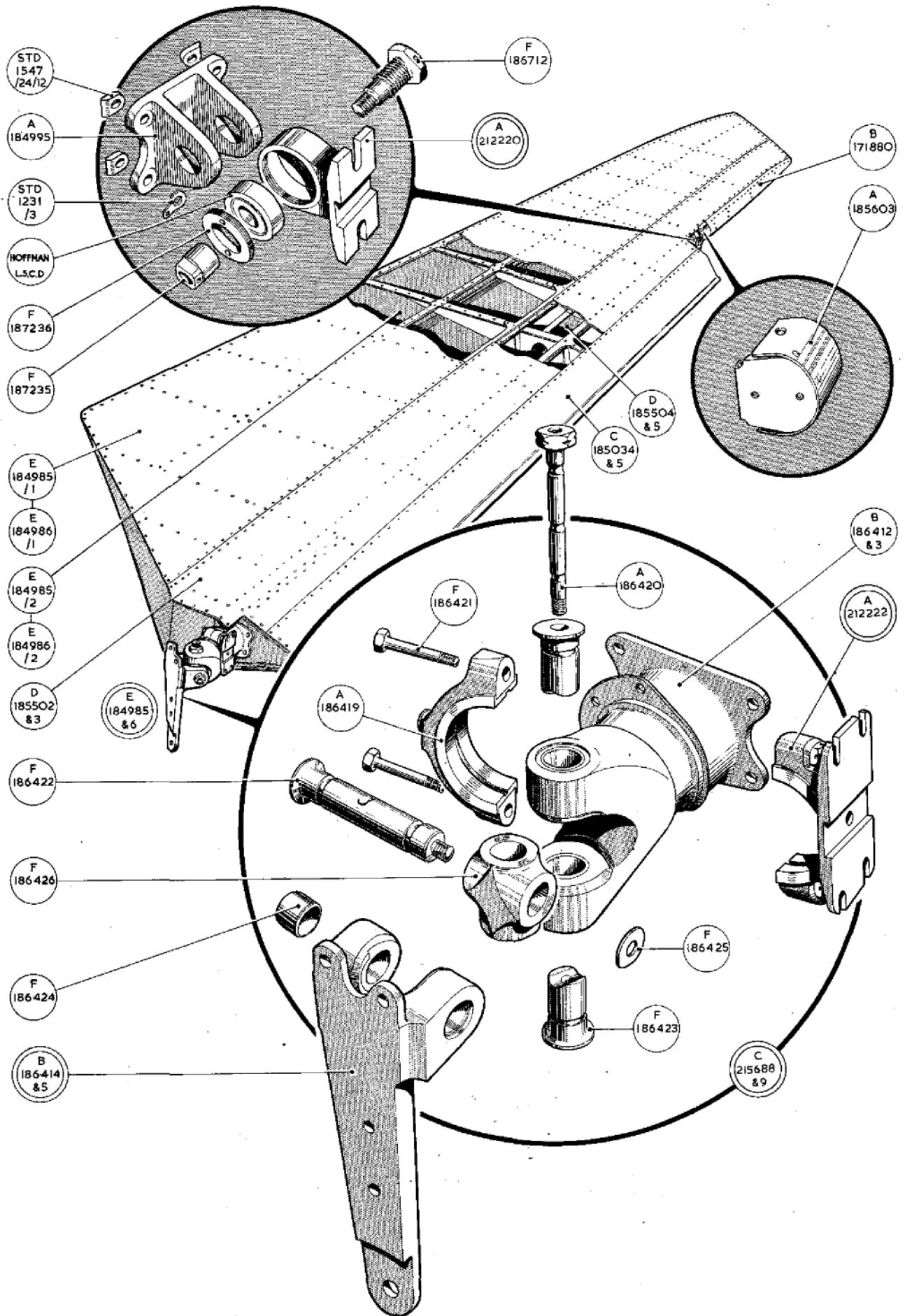
Ref. No.	Part No.	Description	No. Off	Material Specification	M.R. Class of Store	Place No.
	B.185582	Plate, top reinforcing, inboard spar attachment angles, starboard	1	S.3		
	B.185583	Plate, bottom reinforcing, inboard spar attachment angles, port	1	S.3		
	B.185584	Plate, bottom reinforcing, inboard spar attachment angles, starboard	1	S.3		
3014	B.191927	Rib, hinge spool, port	1	S.3	MR/C	PA.2
3015	B.191928	Rib, hinge spool, starboard	1	S.3	MR/C	PA.2
3016	A.185088	Rib, nose 'A,' port	1	DTD.610	MR/C	PA.2
3017	A.185089	Rib, nose 'A,' starboard	1	DTD.610	MR/C	PA.2
3018	A.185090	Rib, nose 'B,' port	1	DTD.610	MR/C	PA.2
3019	A.185091	Rib, nose, 'B,' starboard	1	DTD.610	MR/C	PA.2
3020	A.185092	Rib, nose, 'C,' port	1	DTD.610	MR/C	PA.2
3021	A.185093	Rib, nose 'C,' starboard	1	DTD.610	MR/C	PA.2
3022	A.185094	Rib, nose 'D,' port	1	DTD.610	MR/C	PA.2
3023	A.185095	Rib, nose 'D,' starboard	1	DTD.610	MR/C	PA.2
3024	A.185096	Rib, nose 'E,' port	1	DTD.610	MR/C	PA.2
3025	A.185097	Rib, nose 'E,' starboard	1	DTD.610	MR/C	PA.2
3026	A.185098	Rib, nose 'F,' port... ..	1	DTD.610	MR/C	PA.2
3027	A.185099	Rib, nose 'F,' starboard	1	DTD.610	MR/C	PA.2
3028	A.185100	Rib, nose 'G,' port	1	DTD.610	MR/C	PA.2
3029	A.185101	Rib, nose 'G,' starboard	1	DTD.610	MR/C	PA.2
3030	A.185102	Rib, nose 'H,' port	1	DTD.610	MR/C	PA.2
3031	A.185103	Rib, nose 'H,' starboard	1	DTD.610	MR/C	PA.2
3032	F.185208	Rib, nose 'J.1'	2	DTD.610	MR/C	PA.2
3033	F.185209	Rib, nose 'K'	2	DTD.610	MR/C	PA.2
3034	F.173708	Rib, nose 'L'	2	DTD.610	MR/C	PA.2
3035	F.185210	Rib, nose 'M'	2	DTD.610	MR/C	PA.2
3036	A.185421	Rib, interspar 'A1,' port	1	DTD.610	MR/C	PA.2
3037	A.185422	Rib, interspar, 'A1,' starboard	1	DTD.610	MR/C	PA.2
3038	B.185423	Rib, interspar 'A,' port	1	DTD.610	MR/C	PA.2
3039	B.185424	Rib, interspar 'A,' starboard	1	DTD.610	MR/C	PA.2
3040	B.185425	Rib, interspar, 'B,' port	1	DTD.610	MR/C	PA.2
3041	B.185426	Rib, interspar 'B,' starboard	1	DTD.610	MR/C	PA.2
3042	B.185427	Rib, interspar, 'C,' port	1	DTD.610	MR/C	PA.2
3043	B.185428	Rib, interspar 'C,' starboard	1	DTD.610	MR/C	PA.2
3044	B.185429	Rib, interspar 'D,' port	1	DTD.610	MR/C	PA.2
3045	B.185430	Rib, interspar 'D,' starboard	1	DTD.610	MR/C	PA.2
3046	B.185431	Rib, interspar 'E,' port	1	DTD.610	MR/C	PA.2
3047	B.185432	Rib, interspar 'E,' starboard	1	DTD.610	MR/C	PA.2
3048	B.185433	Rib, interspar 'F,' port	1	DTD.610	MR/C	PA.2
3049	B.185434	Rib, interspar 'F,' starboard	1	DTD.610	MR/C	PA.2
3050	B.185435	Rib, interspar 'G,' port	1	DTD.610	MR/C	PA.2
3051	B.185436	Rib, interspar 'G,' starboard	1	DTD.610	MR/C	PA.2
3052	A.185437	Rib, interspar 'H,' port	1	DTD.610	MR/C	PA.2
3053	A.185438	Rib, interspar 'H,' starboard	1	DTD.610	MR/C	PA.2
3054	A.185439	Rib, interspar 'J,' port	1	DTD.610	MR/C	PA.2
3055	A.185440	Rib, interspar 'J,' starboard	1	DTD.610	MR/C	PA.2
3056	A.185441	Rib, interspar 'K,' port	1	DTD.610	MR/C	PA.2
3057	A.185442	Rib, interspar 'K,' starboard	1	DTD.610	MR/C	PA.2
3058	A.185443	Rib, interspar 'L,' port	1	DTD.610	MR/C	PA.2
3059	A.185444	Rib, interspar 'L,' starboard	1	DTD.610	MR/C	PA.2
3060	A.185445	Rib, interspar 'M,' port	1	DTD.610	MR/C	PA.2
3061	A.185446	Rib, interspar 'M,' starboard	1	DTD.610	MR/C	PA.2

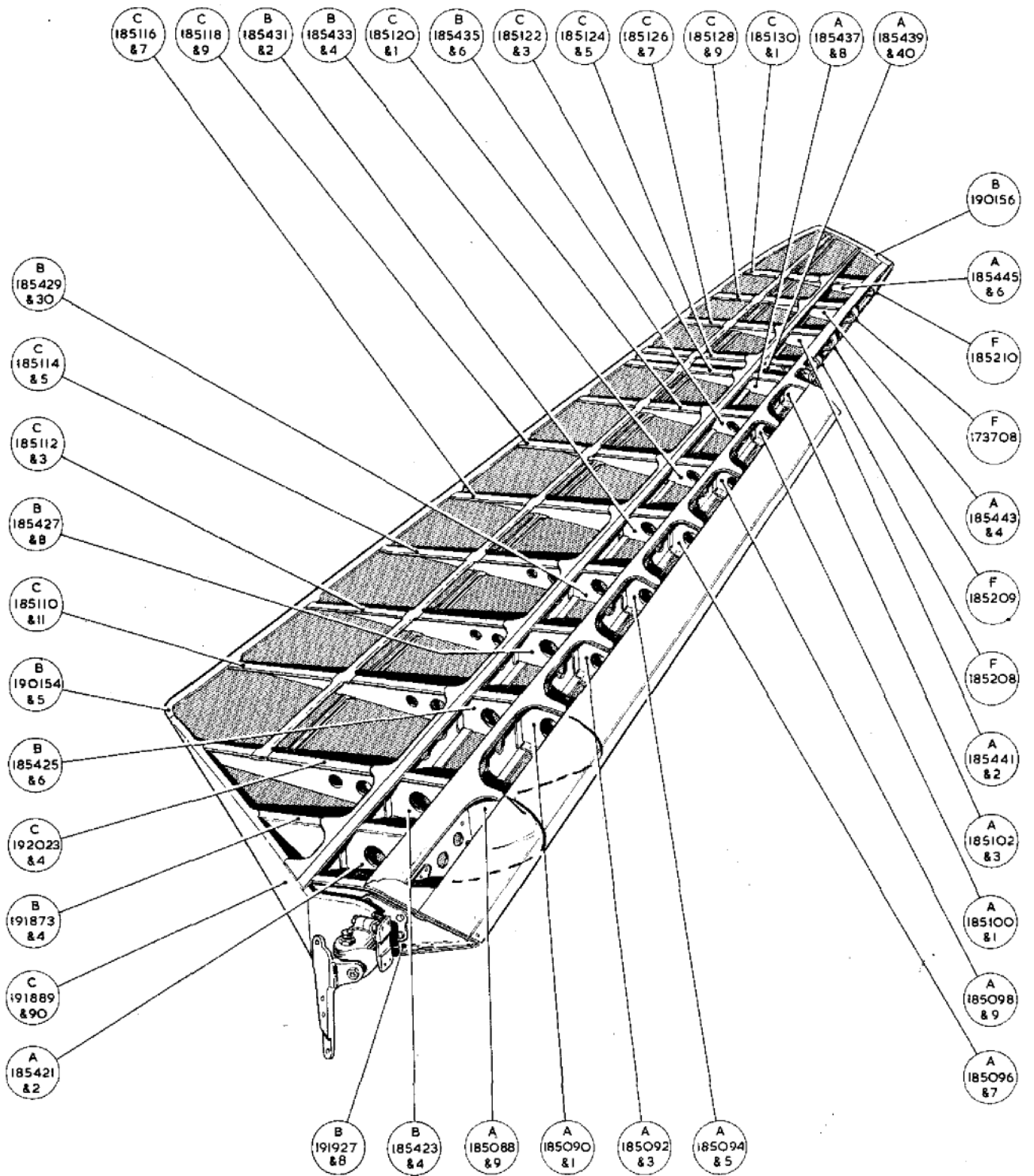
TAIL UNIT-ELEVATOR

Ref. No.	Part No.	Description					No. Off	Material Specification	M.R. Class of Store	Plate No.
		1	2	3	4	5				
3062	C.191889	Rib,	inboard	end aft	portion, port	...	1	DTD.610	MR/C	PA.2
3063	C.191890	Rib,	inboard	end aft	portion, starboard	...	1	DTD.610	MR/C	PA.2
3064	B.191873	Rib,	tail	A1,	port	...	1	DTD.610	MR/C	PA.2
3065	B.191874	Rib,	tail	A1,	starboard	...	1	DTD.610	MR/C	PA.2
3066	B.192023	Rib,	tail	A,	port	...	1	DTD.610	MR/C	PA.2
3067	B.192024	Rib,	tail	A,	starboard	...	1	DTD.610	MR/C	PA.2
3068	C.185110	Rib,	tail	B,	port	...	1	DTD.610	MR/C	PA.2
3069	C.185111	Rib,	tail	B,	starboard	...	1	DTD.610	MR/C	PA.2
3070	C.185112	Rib,	tail	C,	port	...	1	DTD.610	MR/C	PA.2
3071	C.185113	Rib,	tail	C,	starboard	...	1	DTD.610	MR/C	PA.2
3072	C.185114	Rib,	tail	D,	port	...	1	DTD.610	MR/C	PA.2
3073	C.185115	Rib,	tail	D,	starboard	...	1	DTD.610	MR/C	PA.2
3074	C.185116	Rib,	tail	E,	port	...	1	DTD.610	MR/C	PA.2
3075	C.185117	Rib,	tail	E,	starboard	...	1	DTD.610	MR/C	PA.2
3076	C.185118	Rib,	tail	F,	port	...	1	DTD.610	MR/C	PA.2
3077	C.185119	Rib,	tail	F,	starboard	...	1	DTD.610	MR/C	PA.2
3078	C.185120	Rib,	tail	G,	port	...	1	DTD.610	MR/C	PA.2
3079	C.185121	Rib,	tail	G,	starboard	...	1	DTD.610	MR/C	PA.2
3080	C.185122	Rib,	tail	H,	port	...	1	DTD.610	MR/C	PA.2
3081	C.185123	Rib,	tail	H,	starboard	...	1	DTD.610	MR/C	PA.2
3082	C.185124	Rib,	tail	J,	port	...	1	DTD.610	MR/C	PA.2
3083	C.185125	Rib,	tail	J,	starboard	...	1	DTD.610	MR/C	PA.2
3084	C.185126	Rib,	tail	K,	port	...	1	DTD.610	MR/C	PA.2
3085	C.185127	Rib,	tail	K,	starboard	...	1	DTD.610	MR/C	PA.2
3086	C.185128	Rib,	tail	L,	port	...	1	DTD.610	MR/C	PA.2
3087	C.185129	Rib,	tail	L,	starboard	...	1	DTD.610	MR/C	PA.2
3088	C.185130	Rib,	tail	M,	port	...	1	DTD.610	MR/C	PA.2
3089	C.185131	Rib,	tail	M,	starboard	...	1	DTD.610	MR/C	PA.2
3090	E.184985/1	Skin,	main	top,	port	...	1	DTD.610	MR/B	PA.1
3091	E.184985/2	Skin,	main	bottom,	port	...	1	DTD.610	MR/B	PA.1
3092	E.184986/1	Skin,	main	top,	starboard	...	1	DTD.610	MR/B	PA.1
3093	E.184986/2	Skin,	main	bottom,	starboard	...	1	DTD.610	MR/B	PA.1
3094	D.185502	Skin,	forward	top,	port	...	1	DTD.610	MR/B	PA.1
3095	D.185503	Skin,	forward	top,	starboard	...	1	DTD.610	MR/B	PA.1
3096	D.185504	Skin,	forward	bottom,	port	...	1	DTD.610	MR/B	PA.1
3097	D.185505	Skin,	forward	bottom,	starboard	...	1	DTD.610	MR/B	PA.1
3098	B.171880	Skin,	nose,	washout	position	...	2	DTD.610	MR/B	PA.1
	B.171747	Spar,	sub,	port	1	DTD.610		
	B.171748	Spar,	sub,	starboard	1	DTD.610		
	D.184987	Spar,	rear,	port	1	DTD.610		
	D.184988	Spar,	rear,	starboard	1	DTD.610		
	D.171571	Spar,	main,	forward	2	DTD.610		
2144	Std.1231/3	Tab,	locking,	outer	hinge	...	4	---	C.	PA.1
	F.214080	Weights	QR	Comm'l Lead		

TAIL UNIT-ELEVATOR

Ref. No.	Part No.	Description					No. Off	Material Specification	M.R. Class of Store	Place No.		
		1	2	3	4	5						
SUMMARY OF STOCK ITEMS												
28D/12532	A.25-4C	Bolt, 2	B.A.	-	-	-
28D/12518	A.25-2E	Bolt, 1/2"	B.S.F.	-	-	-
28M/12929	A.27-CP	Nut, 2	B.A.	-	-	-
28M/12928	A.27-EP	Nut, 1/2"	B.S.F.	-	-	-
28W/12296	SP.15C	Washer, 2	B.A.	-	-	-
28W/12496	SP.15E	Washer, 1/2"	B.S.F.	-	-	-





This file was downloaded
from the RTFM Library.

Link: www.scottbouch.com/rtfm

Please see site for usage terms,
and more aircraft documents.

