

TAIL UNIT—FIN

Ref. No.	Part No.	Description	No. Off					Material Specification	M.R. Class of Store	Place No.
			1	2	3	4	5			
67	D.183036	<b>FIN, GROUP</b> ... .. (Complementary parts e.g., inter component attachments are listed on page PE.1 and will not be supplied with the assembly spare)	1					A.	PB.1	
	C.193160	<b>AERIAL, IFF Mk. 3, ASSEMBLY</b> ... .. Consisting of:—	—							
4142	A.197535	<b>Aerial, stub</b> ... ..	1					C.	ME.1	
4048	A.193159	<b>Blade, aerial</b> ... ..	1			L.59		MR/C	ME.1	
28D/12528	A.25.1.B	<b>Bolt, 4 B.A.</b> ... ..	2					C.		
28D/12511	A.25.2.B	<b>Bolt, 6 B.A.</b> ... ..	3					C.		
10AB/153	—	<b>Bracket, ...</b> ... ..	1					A.		
3894	A.193158	<b>Bracket</b> ... ..	1			Bakejite		C.	ME.1	
3971	Std.840/19	<b>Clip, cable, <math>\frac{1}{16}</math>" wide × 22 S.W.G. × 1.9" long</b> (make from 30B/1433)	1			DTD.610		MR/C	4	
3750	Std.842/10	<b>Clip, cable, <math>\frac{1}{16}</math>" wide × 22 S.W.G. × 1" long</b> (make from 30A/549)	2			S.3		MR/C	4	
10HA/12451	—	<b>Connector</b> ... ..	1					B.		
28M/10287	AGS.2001/B1	<b>Nut</b> ... ..	1					C.		
28M/10286	AGS.2001/A1	<b>Nut</b> ... ..	3					C.		
28M/10327	AGS.2002/B1	<b>Nut</b> ... ..	2					C.		
28S/2773	A31.B.20	<b>Screw</b> ... ..	1					C.		
28S/3510	A44.B.8	<b>Screw</b> ... ..	2					C.		
28VV/12306	SP.15.B	<b>Washer</b> ... ..	4					C.		
28VV/12441	SP.15.A	<b>Washer</b> ... ..	3					C.		
28W/3097	AGS.162.B	<b>Washer</b> ... ..	2					C.		
	F.202220	<b>Angle, for spring anchorage</b> ... ..	1			L.72				
2945	F.193205	<b>Angle</b> ... ..	2			DTD.610		MR/C	PB.1	
2930	A.185164	<b>Angle, skin support, at lower diaphragm, port</b> ... ..	1			DTD.610		MR/C	PB.2	
2931	A.185165	<b>Angle, skin support, at lower diaphragm, starboard</b> ... ..	1			DTD.610		MR/C	PB.2	
2932	F.183048	<b>Angle, shroud attachment to rib G</b> ... ..	1			DTD.610		MR/C	PB.1	
2933	F.183050	<b>Angle, shroud attachment to rib H</b> ... ..	1			DTD.610		MR/C	PB.1	
2934	B.186835	<b>Angle, support, at detachable tip, port</b> ... ..	1			DTD.610		MR/C	PB.2	
2935	B.186836	<b>Angle, support, at detachable tip, starboard</b> ... ..	1			DTD.610		MR/C	PB.2	
27S/323	B.A.M.	<b>Bearing, lower hinge</b> ... ..	1					B.		
27S/143	BAA. $\frac{5}{16}$ " B	<b>Bearing, upper hinge</b> ... ..	1					B.		
1602	F.192389	<b>Bolt, lower hinge bearing</b> ... ..	1			S.94.B		C.	PB.1	
1603	Std.1700/1C	<b>Bolt, attachment of rear end detachable portion...</b> ... ..	16			S.95.B		C.	5	
2946	F.193206	<b>Bracket, mounting</b> ... ..	1			DTD.610		MR/C	PB.1	
	A.184161	<b>BRACKET, RUDDER CONTROL, UPPER ASSEMBLY</b>	—							
2936	B.184158	<b>Bracket, starboard</b> ... ..	1			DTD.610		MR/C	PB.2	
2937	B.184159	<b>Bracket, port</b> ... ..	1			DTD.610		MR/C	PB.2	
2938	F.184160	<b>Stiffener</b> ... ..	1			DTD.610		MR/C	PB.2	
2939	A.183547	<b>Bracket, rudder control, lower port</b> ... ..	1			S.3		MR/C	PB.2	
2940	A.183548	<b>Bracket, rudder control, lower starboard</b> ... ..	1			S.3		MR/C	PB.2	
3741	Std.840/20	<b>Clip, duct attachment, <math>\frac{1}{16}</math>" wide × 22 S.W.G. × 2" long</b>	1			DTD.610		C.	4	
3738	Std.840/29	<b>Clip, for duct, upper, <math>\frac{1}{16}</math>" wide × 22 S.W.G. × 2.9" long</b> (Make from 30B/1433)	1			DTD.610		MR/C	4	
3742	Std.840/37	<b>Clip, for duct, lower, <math>\frac{1}{16}</math>" wide × 22 S.W.G. × 3.7" long</b> (Make from 30B/1433)	1			DTD.610		MR/C	4	
	C.171698	<b>CONTROLS, FLYING</b> (See section 'D') ... ..	—							
	A.185944	<b>Duct, electrical cable</b> ... ..	1			L.54				
	F.193403	<b>Duct, for aerial connection, upper</b> ... ..	1			L.54				
	A.193404	<b>Duct, for aerial connection, lower</b> ... ..	1			L.54				
2941	A.185201	<b>Diaphragm, at tall rib 'D'</b> ... ..	1			DTD.610		MR/C	PB.2	

TAIL UNIT—FIN

Ref. No.	Part No.	Description	No. Off	Material Specification	M.R. Class of Store	Plate No.
2942	A.188102	Diaphragm, at detachable portion ... ..	1	DTD.610	MR/C	PB.2
2943	B.186111	Diaphragm, at rear access panel ... ..	1	DTD.610	MR/C	PB.2
	D.195638	<b>ELECTRICAL INSTALLATION</b> ... ..	-	-	-	
		(For details see section E)				
	A.184946	Diaphragm, lower ... ..	1	DTD.610		
2944	A.186895	End, tip ... ..	1	L.53	MR/C	PB.2
	B.183103	Extension, rear spar ... ..	1	DTD.610		
193	C.186356	Fin, detachable portion ... ..	1	DTD.610	B.	PB.1
	C.172170	Former, front ... ..	1	DTD.610		
	F.183345	<b>HINGE, TOP, ASSEMBLY</b> ... ..	-	-		
2948	B.183142	Bracket, upper ... ..	1	DTD.610	MR/C	PB.2
2949	B.183143	Bracket, lower ... ..	1	DTD.610	MR/C	PB.2
2950	A.177845	Hinge ... ..	1	-	MR/C	PB.1
	F.183358	<b>HINGE, BOTTOM, ASSEMBLY</b> ... ..	-	-		
2951	F.182991	Angle, bottom ... ..	1	DTD.610	MR/C	PB.1
2952	A.172196	Fitting, hinge ... ..	1	-	MR/C	PB.1
2953	F.182992	Stop ... ..	1	LFS.21	MR/C	PB.1
2954	B.182990	Rib, tail D.1 ... ..	1	DTD.610	MR/C	PB.2
2955	B.183260	Rib ... ..	1	DTD.610	MR/C	PB.2
3815	Std.1547/20/14	Washer, profile... ..	2	DTD.610	MR/C	4
	B.184334	<b>PANEL, ACCESS, ASSEMBLY</b> ... ..	-	-		
2956	B.184094	Landing, port ... ..	1	DTD.610	MR/C	PB.1
2957	B.184095	Landing, starboard ... ..	1	DTD.610	MR/C	PB.1
191	B.183993	Panel, access to rudder controls, port ... ..	1	DTD.610	C.	PB.1
192	B.183994	Panel, access to rudder controls, starboard ... ..	1	DTD.610	C.	PB.1
	C.186441	<b>PANEL, REAR ACCESS, ASSEMBLY</b> ... ..	-	-		
1603	Std.1700/1C	Bolt, (Referenced 26AQ/3161 for Admiralty) ... ..	15	S.95.B	C.	5
2958	C.186293	Landing ... ..	1	DTD.610	MR/C	PB.1
190	B.186322	Panel, access ... ..	1	DTD.610	C.	PB.1
2959	A.183897	Plate, cover, rib 'A' ... ..	1	DTD.610	MR/C	PB.2
2947	F.193204	Plate, stud ... ..	1	S.3	MR/C	PB.1
2960	D.184098	Rib, interspar, 'A' group ... ..	1	-	MR/B	PB.2
	F.183929	Angle, forward and intermediate ... ..	1	DTD.364		
	F.183930	Angle, rear ... ..	2	DTD.364		
	D.184098/2	Boom, port ... ..	1	DTD.364		
	D.184098/3	Boom, starboard ... ..	1	DTD.364		
	B.172194	Fitting, attachment, rear, port ... ..	1	Stpg.		
	B.172195	Fitting, attachment, rear, starboard ... ..	1	Stpg.		
	B.172193	Fitting, attachment, forward ... ..	2	Stpg.		
	A.172211	Fitting, tie, aft ... ..	1	DTD.364		
	A.172208	Fitting, tie, forward ... ..	2	DTD.364		

TAIL UNIT-FIN

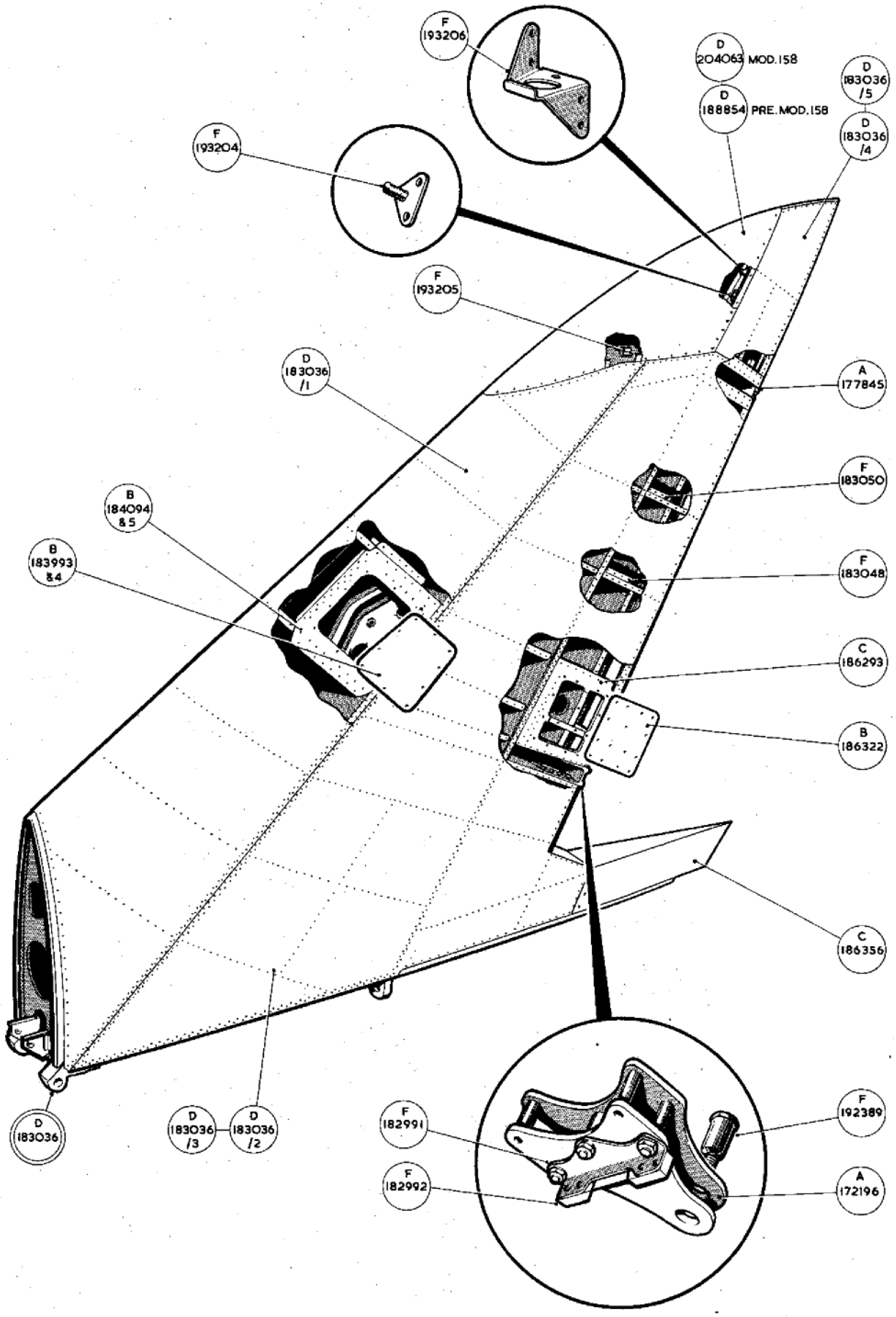
Ref. No.	Part No.	Description	No. Off	Material Specification	M.R. Class of Store	Plate No.
2961	B.183362	Rib, interspar 'B' ...	1	DTD.610	MR/C	PB.2
2962	B.183363	Rib, interspar 'C' ...	1	DTD.610	MR/C	PB.2
2963	B.183364	Rib, interspar 'D' ...	1	DTD.610	MR/C	PB.2
2964	B.183365	Rib, interspar 'D1' ...	1	DTD.610	MR/C	PB.2
2965	B.183366	Rib, interspar 'E' ...	1	DTD.610	MR/C	PB.2
2966	B.184543	Rib, interspar 'E1' ...	1	—	MR/C	PB.2
2967	B.183368	Rib, interspar 'F' ...	1	DTD.610	MR/C	PB.2
2968	B.183369	Rib, interspar 'G' ...	1	DTD.610	MR/C	PB.2
2969	B.183370	Rib, interspar 'H' ...	1	DTD.610	MR/C	PB.2
2970	B.183035	Rib, cop, interspar	1	DTD.610	MR/C	PB.2
2971	B.183579	Rib, nose 'B' ...	1	DTD.610	MR/C	PB.2
2972	B.183580	Rib, nose 'C' ...	1	DTD.610	MR/C	PB.2
1973	B.183581	Rib, nose 'D' ...	1	DTD.610	MR/C	PB.2
2974	B.183582	Rib, nose 'E' ...	1	DTD.610	MR/C	PB.2
2975	B.183583	Rib, nose 'F' ...	1	DTD.610	MR/C	PB.2
2976	B.183584	Rib, nose 'G' ...	1	DTD.610	MR/C	PB.2
2977	B.183148	Rib, nose 'H' ...	1	—	MR/C	PB.2
2978	C.183034	Rib, top, at detachable tip	1	DTD.610	MR/C	PB.2
2979	C.185845	Rib, bottom ...	1	DTD.610	MR/C	PB.2
2980	B.182978	Rib, tail 'D' ...	1	DTD.610	MR/C	PB.2
2981	B.183283	Rib, tail 'E1' ...	1	DTD.610	MR/C	PB.2
2982	B.182995	Rib, tail 'F' ...	1	DTD.610	MR/C	PB.2
2983	B.182998	Rib, tail, 'G' ...	1	DTD.610	MR/C	PB.2
2984	B.182999	Rib, tail 'H' ...	1	DTD.610	MR/C	PB.2
2985	A.183037	Rib, tail 'J' ...	1	DTD.610	MR/C	PB.2
2986	B.185416	Rib, lower, between rear spar and diaphragm	1	DTD.610	MR/C	PB.2
3779	Std.1356/15	Shim, lower hinge bearing (Referenced 26AQ/864 for Admiralty)	2	Laminated Aluminium	MR/C	
3778	Std.1356/13	Shim, upper hinge bearing (Referenced 26AQ/1690 for Admiralty)	2	Laminated Aluminium	MR/C	
2987	B.183216	Shroud, below, rib D ...	1	DTD.610	MR/C	PB.2
2988	B.183040	Shroud, between tail ribs D and D1 ...	1	DTD.610	MR/C	PB.2
2989	B.183042	Shroud, between tail ribs F and G ...	1	DTD.610	MR/C	PB.2
2990	B.183043	Shroud, between tail ribs G and H ...	1	DTD.610	MR/C	PB.2
2991	B.183044	Shroud, between tail ribs H and top rib	1	DTD.610	MR/C	PB.2
2992	B.183045	Shroud, between top rib and tail rib J	1	DTD.610	MR/C	PB.2
2993	B.183229	Shroud, top	1	DTD.610	MR/C	PB.2
	D.183316	Spar, front ...	1	DTD.610		
	D.183317	Spar, rear ...	1	DTD.610		
2994	F.183820	Stiffener, between tail ribs D and D.1	1	DTD.610	MR/C	PB.2
2995	A.183822	Stiffener, port	1	DTD.364	MR/C	PB.2
2996	A.183823	Stiffener, starboard	1	DTD.364	MR/C	PB.2
2997	F.183835	Stiffener, ...	2	DTD.364	MR/C	PB.2
2998	F.183821	Stiffener, skin, tip portion	1	DTD.364	MR/C	PB.2
2999	D.183036/2	Skin, main, port	1	DTD.610	MR/B	PB.1
3000	D.183036/3	Skin, main, starboard	1	DTD.610	MR/B	PB.1
1865	D.183036/1	Skin, nose	1	DTD.610	B.	PB.1
3001	D.183036/4	Skin, tip, port	1	DTD.610	MR/B	PB.1
3002	D.183036/5	Skin, tip, starboard	1	DTD.610	MR/B	PB.1
1604	D.188854*	Tip, detachable (Pre Mod. 158)	1	Lam. Paper	B.	PB.1
4892	D.204063	Tip, detachable (Mod. 158)	1	Lam. Paper	B.	
	B.186592	Tube, slinging	1	—		
	Std.915/N10	Washer, lower hinge bearing	2	DTD.610		
3769	Std.915/G12	Washer, upper hinge bearing	2	DTD.610	MR/C	4

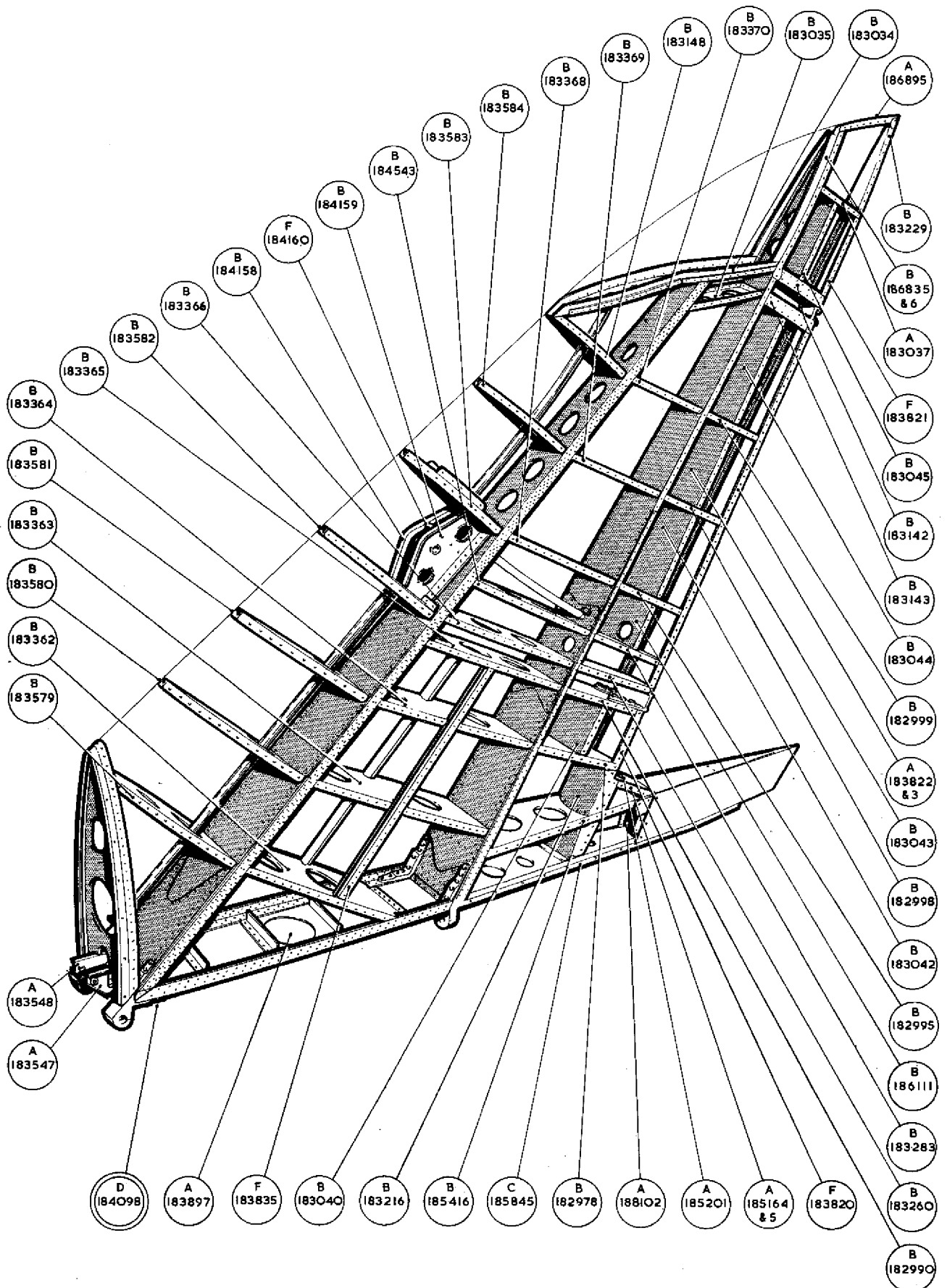
TAIL UNIT-FIN

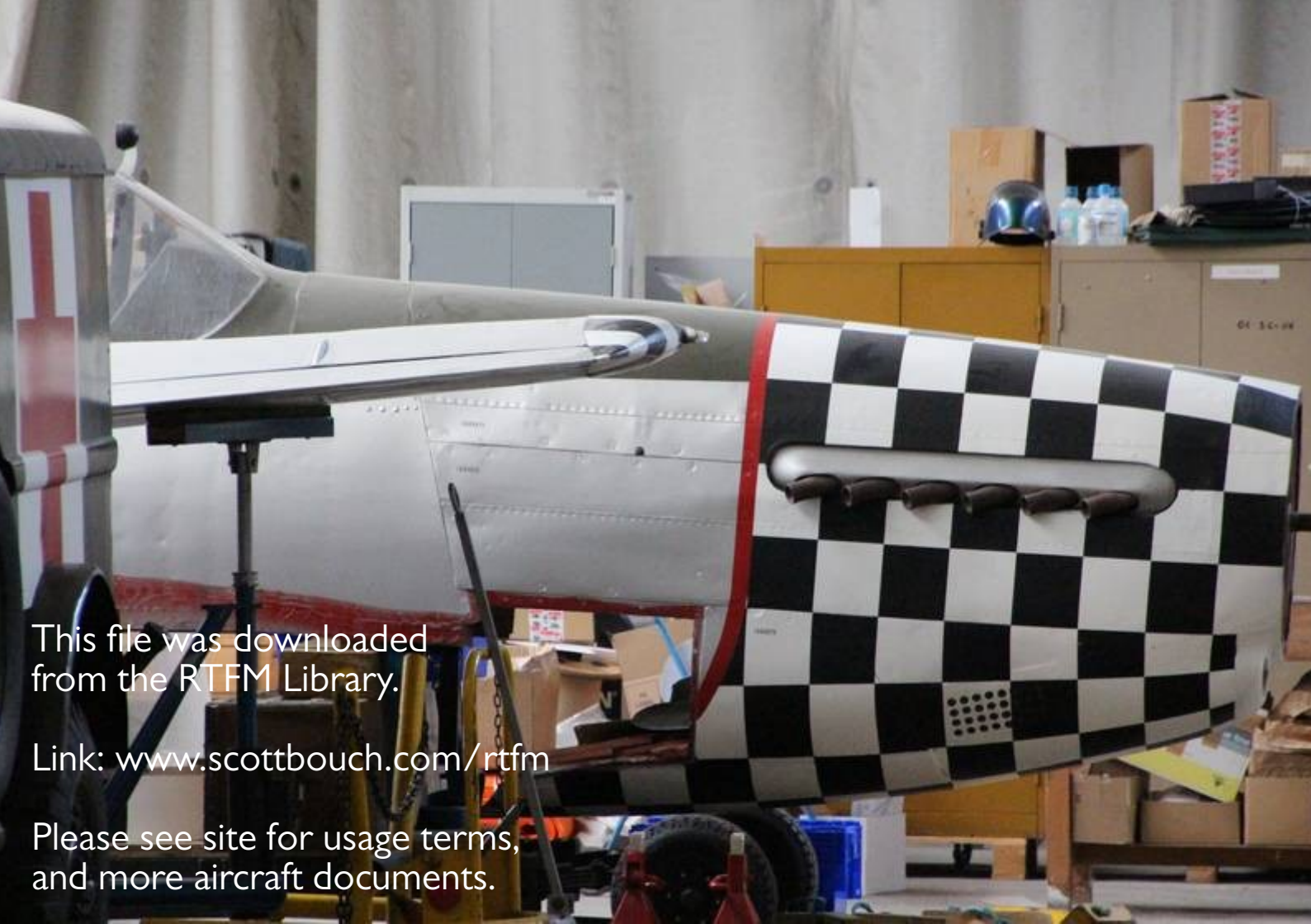
Ref. No.	Part No.	Description					No. Off	Material Specification	M.R. Class of Store	Plate No.
		1	2	3	4	5				
26AB 3804	F195139.									

TAIL UNIT-FIN

Ref. No.	Part No.	Description					No. Off	Material Specification	M.R. Class of Store	Plate No.
		1	2	3	4	5				
<b>SUMMARY OF STOCK ITEMS</b>										
28D/12528	A25.1.B	Bolt,	4	B.A.	...	...	...	...	...	-
28D/12512	A25.1.C	Bolt,	2	B.A.	...	...	...	...	...	-
28D/12513	A25.2.C	Bolt,	2	B.A.	...	...	...	...	...	-
28D/12533	A25.5.C	Bolt,	2	B.A.	...	...	...	...	...	-
28D/12539	A25.16.C	Bolt,	2	B.A.	...	...	...	...	...	-
28D/12633	A25.7.E	Bolt,	1/4"	B.S.F.	...	...	...	...	...	-
28D/12544	A25.8.E	Bolt,	1/4"	B.S.F.	...	...	...	...	...	-
28D/8306	AS.1242/1C	Bolt,	2	B.A.	...	...	...	...	...	-
28D/11453	AS.2504/12G	Bolt,	5/16"	B.S.F.	...	...	...	...	...	-
28M/10327	AGS.2002/B1	Nut,	4	B.A.	...	...	...	...	...	-
28M/10328	AGS.2002/C1	Nut,	2	B.A.	...	...	...	...	...	-
28M/10216	AGS.2008/C1	Nut,	2	B.A.	...	...	...	...	...	-
28L/753	A.16Y/CT	Nut,	2	B.A.	...	...	...	...	...	-
28L/776	A.16Y/ET	Nut,	1/4"	B.S.F.	...	...	...	...	...	-
28M/12929	A27.CP	Nut,	2	B.A.	...	...	...	...	...	-
28M/13122	A27.G.S.	Nut,	1/16"	B.S.F.	...	...	...	...	...	-
28M/7727	AGS.572/E	Nut,	1/4"	B.S.F.	...	...	...	...	...	-
28S/2832	A33.C.28	Screw,	2	B.A.	...	...	...	...	...	-
28W/12306	SP.15B	Washer	...	...	...	...	...	...	...	-
28W/12296	SP.15C	Washer	...	...	...	...	...	...	...	-
28W/12324	SP.15G	Washer	...	...	...	...	...	...	...	-
28W/12321	SP.15J	Washer	...	...	...	...	...	...	...	-
28W/12355	SP.16C	Washer	...	...	...	...	...	...	...	-
28W/12297	SP.16E	Washer	...	...	...	...	...	...	...	-







This file was downloaded  
from the RTFM Library.

Link: [www.scottbouch.com/rtfm](http://www.scottbouch.com/rtfm)

Please see site for usage terms,  
and more aircraft documents.