

UNDERCARRIAGE—MAIN FAIRING

Ref. No.	Part No.	Description	No. Off	Material Specification	M.R. Class of Score	Plate No.
	D.187500-1	<b>FAIRING, MAIN UNDERCARRIAGE, ASSEMBLY</b>	-	-		
4219	F.191499	<b>Bolt</b> , banjo, for greaser pipe ... ..	2	-	C.	RB.1
5188	E.204906	<b>Door</b> , wheel, port group (with trimming allowance) (Pre Mod. 432)	1	-	A.	RB.2
5189	E.204907	<b>Door</b> , wheel, starboard group (with trimming allowance) (Pre Mod. 432)	1	-	A.	RB.2
7016	E.214862	<b>Door</b> , wheel, port group (with trimming allowance) (Mod. 432)	1	-	A.	RB.2
7017	E.214863	<b>Door</b> , wheel, starboard group (with trimming allowance) (Mod. 432)	1	-	A.	RB.2
484	F.187537	<b>Bolt</b> , attachment of jack anchorage shackle ... ..	2	S.95.B	C.	RB.2
4669	F.201476	<b>Bolt</b> , front and aft lock pin fittings ... ..	16	S.99.B	C.	RB.2
8394	A.211328	<b>Fitting</b> , pin, aft lock, port (Mod. 314)	1	DTD.473	C.	RB.2
8395	A.211329	<b>Fitting</b> , pin, aft lock, starboard (Mod. 314)	1	DTD.473	C.	RB.2
8392	A.211326	<b>Fitting</b> , pin, front lock, port (Mod. 314)	1	DTD.473	C.	RB.2
8393	A.211327	<b>Fitting</b> , pin, front lock, starboard ... .. (Mod. 314)	1	DTD.473	C.	RB.2
491	C.178792	<b>Hinge</b> , door, port ... ..	1	-	C.	RB.2
492	C.178793	<b>Hinge</b> , door, starboard ... ..	1	-	C.	RB.2
5194	A.202797*	<b>Lever</b> , group (Pre Mod. 432) ... ..	2	-	B.	RB.2
5772	F.202798	<b>Bush</b> ... ..	1	BSS.250	MR/C	RB.2
	Std.1221Y.D75	<b>Pin</b> ... ..	1	S.2	-	4
5773	F.201688	<b>Roller</b> ... ..	1	DTD.504	MR/C	RB.2
5774	F.204197	<b>Roller</b> ... ..	1	L.65.C	MR/C	RB.2
26AQ/2284	Std.914.E22	<b>Washer</b> ... ..	1	-	-	-
7018	A.212601	<b>Lever</b> , group (Mod. 432) ... ..	2	-	B.	RB.2
5772	F.202798	<b>Bush</b> ... ..	1	BSS.250	MR/C	RB.2
	Std.1221Y.D85	<b>Pin</b> ... ..	1	S.2	-	4
5773	F.201688	<b>Roller</b> ... ..	1	DTD.504	MR/C	RB.2
8213	F.212691	<b>Roller</b> ... ..	1	L.65.C	MR/C	RB.2
7885	F.214842	<b>Plate</b> , locking (Mod. 479) ... ..	2	L.72	C.	RB.2
493	A.187533	<b>Shackle</b> , jack anchorage, port ... ..	1	-	C.	RB.2
494	A.187534	<b>Shackle</b> , jack anchorage, starboard ... ..	1	-	C.	RB.2
495	F.187535	<b>Shim</b> , at aft lock pin fitting (Max. 4)	QR	DTD.610	C.	RB.2
496	F.187536	<b>Shim</b> , at front lock pin fitting (Max. 4)	QR	DTD.610	C.	RB.2
7824	F.206293	<b>Shim</b> , taper at aft lock pin fitting (Max. 1)	QR	L.72	C.	
7882	F.206294	<b>Shim</b> , taper front lock pin fitting (Max. 1)	QR	L.72	C.	
8396	F.211330	<b>Shim</b> , at front lock pin fitting (Mod. 314)	QR	Shim Steel	C.	
8397	F.211331	<b>Shim</b> , at front lock pin fitting (Mod. 314)	QR	Shim Steel	C.	
8398	F.211332	<b>Shim</b> , at front lock pin fitting (Mod. 314)	QR	Shim Steel	C.	
8399	F.211333	<b>Shim</b> , at aft lock pin fitting (Mod. 314)	QR	Shim Steel	C.	
8400	F.211334	<b>Shim</b> , at aft lock pin fitting (Mod. 314)	QR	Shim Steel	C.	
8401	F.211335	<b>Shim</b> , at aft lock pin fitting (Mod. 314)	QR	Shim Steel	C.	
5775	F.201687	<b>Tube</b> , distance, at lever attachment ... ..	2	S.95.B	MR/C	RB.2
	Std.914/J/20	<b>Washer</b> , for pin through channel ... ..	2	S.1	-	-
343	E.187463	<b>Fairing</b> , leg, port, group ... ..	1	-	A.	RB.1
344	E.187464	<b>Fairing</b> , leg, starboard, group ... ..	1	-	A.	RB.1
497	A.187467	<b>Panel</b> , access to locking pin attachment bolts ... ..	2	DTD.610	C.	RB.1
498	A.170012	<b>Pin</b> , attachment of fairing links ... ..	2	S.1	C.	RB.1
6101	A.208253	<b>Pin</b> , locking, port (Mod. 312) ... ..	1	-	C.	RB.1
6102	A.208254	<b>Pin</b> , locking, starboard (Mod. 312) ... ..	1	-	C.	RB.1
3927	Std.1208/75/32/70	<b>Shim</b> , at attachment of fairing ... ..	8	St. Steel	C.	4
1534	F.187496	<b>Washer</b> , serrated, for lock pin ... ..	2	S.3	C.	RB.1

UNDERCARRIAGE—MAIN FAIRING

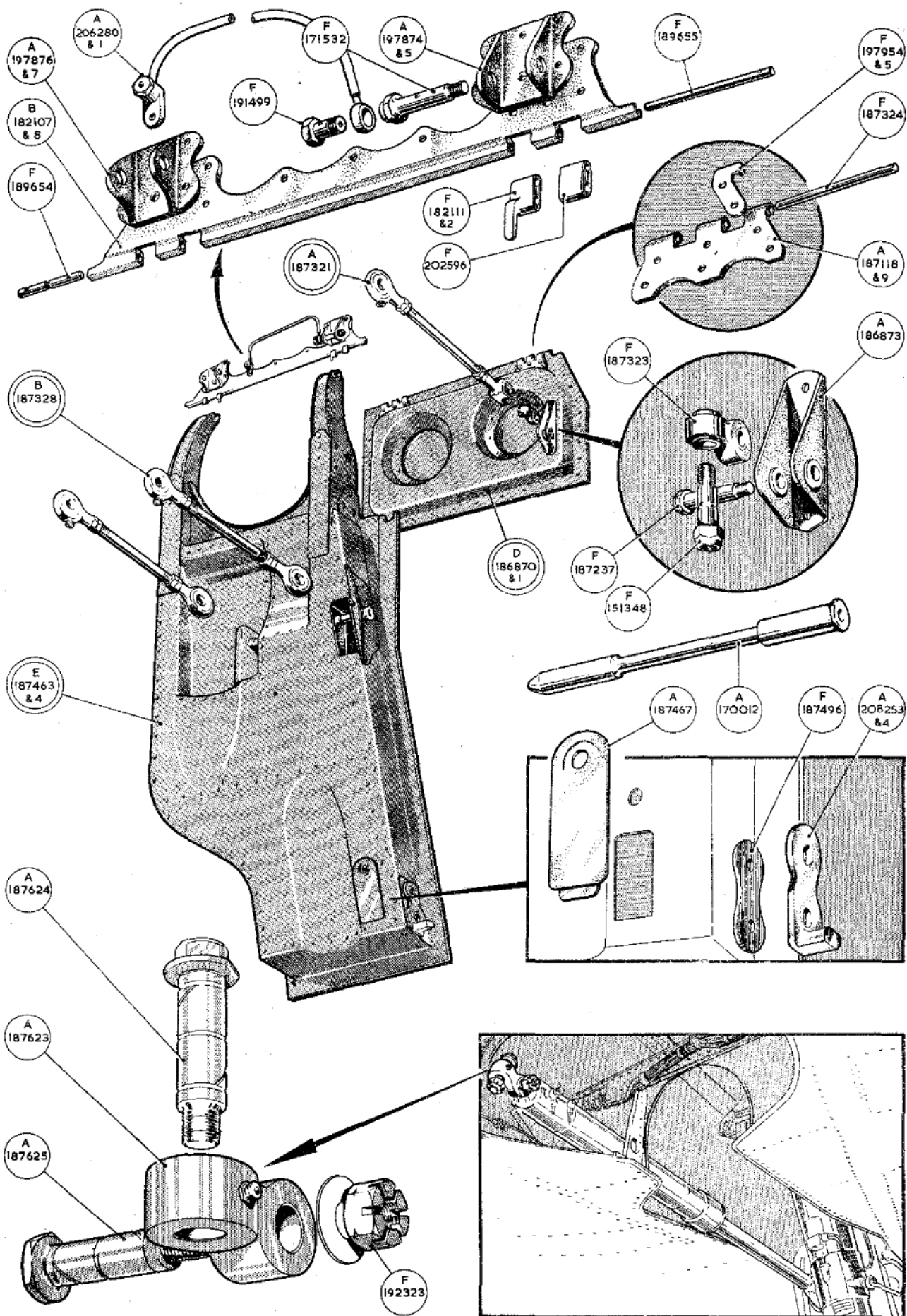
Ref. No.	Part No.	Description	No. Off	Material Specification	M.R. Class of Store	Plate No.
345‡	D.187153	Fairing, wheel, port, group (with trimming allowance) (Pre Mod. 13)	1	—	A.	RB.2
346‡	D.187154	Fairing, wheel, starboard, group (with trimming allowance) (Pre Mod. 13)	1	—	A.	RB.2
8056‡	D.187153* (issue 7 and subsequent)	Fairing, wheel, port, group (with trimming allowance) (Mod. 13) (Pre Mod. 197)	1	—	A.	
8057‡	D.187154* (issue 7 and subsequent)	Fairing, wheel, starboard, group (with trimming allowance) (Mod. 13) (Pre Mod. 197)	1	—	A.	
8169	D.215617	Fairing, wheel, port, group (with trimming allowance) (Mod. 197)	1	—	A.	RB.2
8170	D.215618	Fairing, wheel, starboard, group (with trimming allowance) (Mod. 197)	1	—	A.	RB.2
	D.187155	<b>DETAILS OF FAIRING, ASSEMBLY</b> ...	—	—		
503	F.151366	Bolt, fairing attachment to undercarriage leg bracket	8	S.1	C.	RB.2
505	F.187218	Nut, clamp, fairing attachment to undercarriage leg, bracket	8	S.92.B	C.	RB.2
4671	B.203598	Panel, access, to brakes ... ..	2	L.72	C.	RB.2
509	F.151365	Plate, clamp, fairing attachment to undercarriage leg bracket	8	S.1	C.	RB.2
510	A.173027	Plate, fixing, fairing attachment to undercarriage leg bracket	8	S.92B.	C.	RB.2
511	F.151368	Sleeve, adjusting, fairing attachment to undercarriage leg bracket	8	S.2	C.	RB.2
512	F.151367	Washer, fairing attachment to undercarriage leg bracket	8	L.16	C.	RB.2
6168	Hellermann 2553	Grommet ... ..	2	—	C.	
506	A.187178	Panel, access to bleeder screw ... ..	2	DTD.610	C.	RB.2
507	A.187180	Panel, access to jacking plug, port ... ..	1	DTD.610	C.	RB.2
508	A.187181	Panel, access to jacking plug, starboard ... ..	1	DTD.610	C.	RB.2
341	D.186870	Flap, fairing, port, group (with trimming allowance)	1	—	A.	RB.1
342	D.186871	Flap, fairing, starboard, group (with trimming allowance)	1	—	A.	RB.1
513	F.187237	Bolt, attachment of link to bracket ... ..	2	S.95.B	C.	RB.1
514	A.186873	Bracket, link ... ..	2	DTD.162	C.	RB.1
515‡	A.187118	Hinge, front port, rear starboard ... ..	2	—	C.	RB.1
516‡	A.187119	Hinge, front starboard, rear port ... ..	2	—	C.	RB.1
	B.182128	Hinge, flap and leg fairing, port, group ... ..	1	—		
	B.182129	Hinge, flap and leg fairing, starboard, group ... ..	1	—		
3985	A.197874	Bracket, hinge, front, leg fairing, port ... ..	1	Stmpg.	C.	RB.1
3986	A.197875	Bracket, hinge, front, leg fairing, starboard ... ..	1	Stmpg.	C.	RB.1
3987	A.197876	Bracket, hinge, rear, leg fairing, port ... ..	1	Stmpg.	C.	RB.1
3988	A.197877	Bracket, hinge, rear, leg fairing, starboard ... ..	1	Stmpg.	C.	RB.1
9135	B.182107	Hinge, flap, port ... ..	1	—	MR/C	RB.1
6957	B.182108	Hinge, flap, starboard ... ..	1	—	MR/C	RB.1
549	F.182111	Link, flap, hinge, forward, port ... ..	2	S.2	C.	RB.1
550	F.182112	Link, flap, hinge, forward, starboard ... ..	2	S.2	C.	RB.1
6171	F.202596	Link, hinge, rear, port and starboard ... ..	4	Casting or S.96.B	C.	RB.1
551	F.189654	Pin, flap, hinge, front $\frac{3}{16}$ " dia. × 3-80" long ... ..	2	St. Stl.	C.	RB.1
552	F.189655	Pin, flap, hinge, rear $\frac{3}{16}$ " dia. × 3-35" long ... ..	2	St. Stl.	C.	RB.1
6172	F.207897	Shim, for hinge bracket ... ..	4	Lam. Alum.	C.	

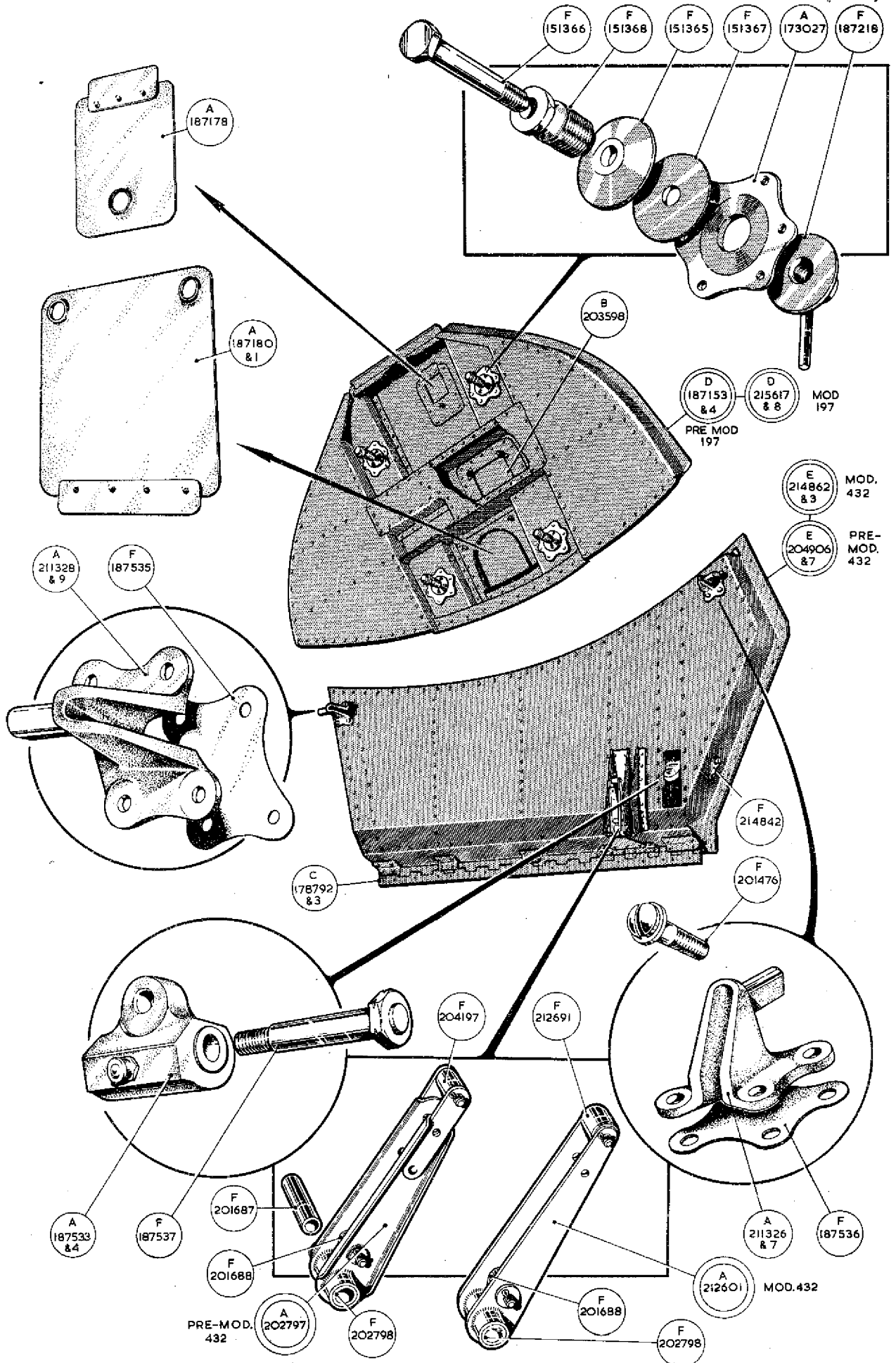
UNDERCARRIAGE—MAIN FAIRING

Ref. No.	Part No.	Description					No. Off	Material Specification	M.R. Class of Store	Place No.
		1	2	3	4	5				
517	A.187321	Link, undercarriage fairing flap, group	...	...	...	...	2	—	C.	RB.1
518	F.151348	Bolt, lubricating	...	...	...	...	1	S.94.B	C.	RB.1
519	F.187323	Shackle	...	...	...	...	1	S.1	C.	RB.1
520	B.187328	Link, leg fairing, group	...	...	...	...	4	—	C.	RB.1
	A.187325	Bearing, rod end	...	...	...	...	1	—		
	A.187326	Bearing, rod end	...	...	...	...	1	—		
	A.187327	Rod, connecting	...	...	...	...	1	—		
521	F.187324	Pin, hinge, fairing flap	...	...	...	...	2	S.3	C.	RB.1
522	F.171532	Pin, hinge, leg fairing	...	...	...	...	4	S.95.B	C.	RB.1
8299	A.206280	Pipe, greaser, port (Mod. 197)	...	...	...	...	1	—	C.	RB.1
8300	A.206281	Pipe, greaser, starboard (Mod. 197)	...	...	...	...	1	—	C.	RB.1
3983	F.197954	Plate, fairing flap hinge pin retaining	...	...	...	...	2	DTD.610	C.	RB.1
3984	F.197955	Plate, fairing flap hinge pin retaining	...	...	...	...	2	DTD.610	C.	RB.1
27Q/12001	Dowty S.P.815/3	Seal, for greaser pipe banjo	...	...	...	...	4	—	C.	
4222	Std.915/U/18	Washer, for greaser pipe	...	...	...	...	2	DTD.610	C.	4

UNDERCARRIAGE—MAIN FAIRING

Ref. No.	Part No.	Description					No. Off	Material Specification	M.R. Class of Store	Plate No.
		1	2	3	4	5				
<b>SUMMARY OF STOCK ITEMS</b>										
28N/ 28D/12528	AGS.636/2 A25.1B	<b>Ball</b> ... ..								
		<b>Bolt, 4 BA</b> ... ..								
28D/12514	A25.7C	<b>Bolt, 2 B.A.</b> ... ..								
28D/12629	A.25.8C	<b>Bolt, 2 B.A.</b> ... ..								
28D/8307	AS.1242/2C	<b>Bolt, 2 B.A.</b> ... ..								
28D/8308	AS.1242/3C	<b>Bolt, 2 BA</b> ... ..								
28D/8310	AS.1242/6C	<b>Bolt, 2 B.A.</b> ... ..								
28D/8311	AS.1242/7C	<b>Bolt, 2 B.A.</b> ... ..								
28D/8312	AS.1242/8C	<b>Bolt, 2 B.A.</b> ... ..								
28D/11439	AS.1242/16G	<b>Bolt, 1/8" B.S.F.</b> ... ..								
28M/8101	AGS.572.C	<b>Nut</b> ... ..								
28L/5240	A.14.JB	<b>Nut, 3/8" B.S.F.</b> ... ..								
28L/5227	A.14.JBL	<b>Nut, 3/8" B.S.F.</b> ... ..								
28L/753	A.16.YCT	<b>Nut, 2 B.A.</b> ... ..								
28M/770	A.16.YGS	<b>Nut, 1/8" B.S.F.</b> ... ..								
28L/13124	A.27.CT	<b>Nut, 2 B.A.</b> ... ..								
28M/12930	A.27.ES	<b>Nut, 1/4" B.S.F.</b> ... ..								
28M/13122	A.27.GS	<b>Nut, 1/8" B.S.F.</b> ... ..								
28M/10288	AGS.2001/C1	<b>Nut, 2 B.A.</b> ... ..								
28N/9796	SP.21	<b>Nipple, lubricating</b> ... ..								
28P/837	SP.4Y.B11	<b>Pin</b> ... ..								
28P/838	SP.4Y.B12	<b>Pin</b> ... ..								
28P/1087	SP.4Y.G20	<b>Pin</b> ... ..								
28W/12296	SP.15C	<b>Washer, 2 B.A.</b> ... ..								
28W/12496	SP.15E	<b>Washer, 1/4" dia.</b> ... ..								
28W/12324	SP.15G	<b>Washer, 1/8" dia.</b> ... ..								
28W/12355	SP.16C.	<b>Washer</b> ... ..								
28L/13772	SP.41G	<b>Washer, tab</b> ... ..								





MAIN UNDERCARRIAGE

This file was downloaded  
from the RTFM Library.  
Link: [www.scottbouch.com/rtfm](http://www.scottbouch.com/rtfm)

Please see site for usage terms,  
and more aircraft documents.

