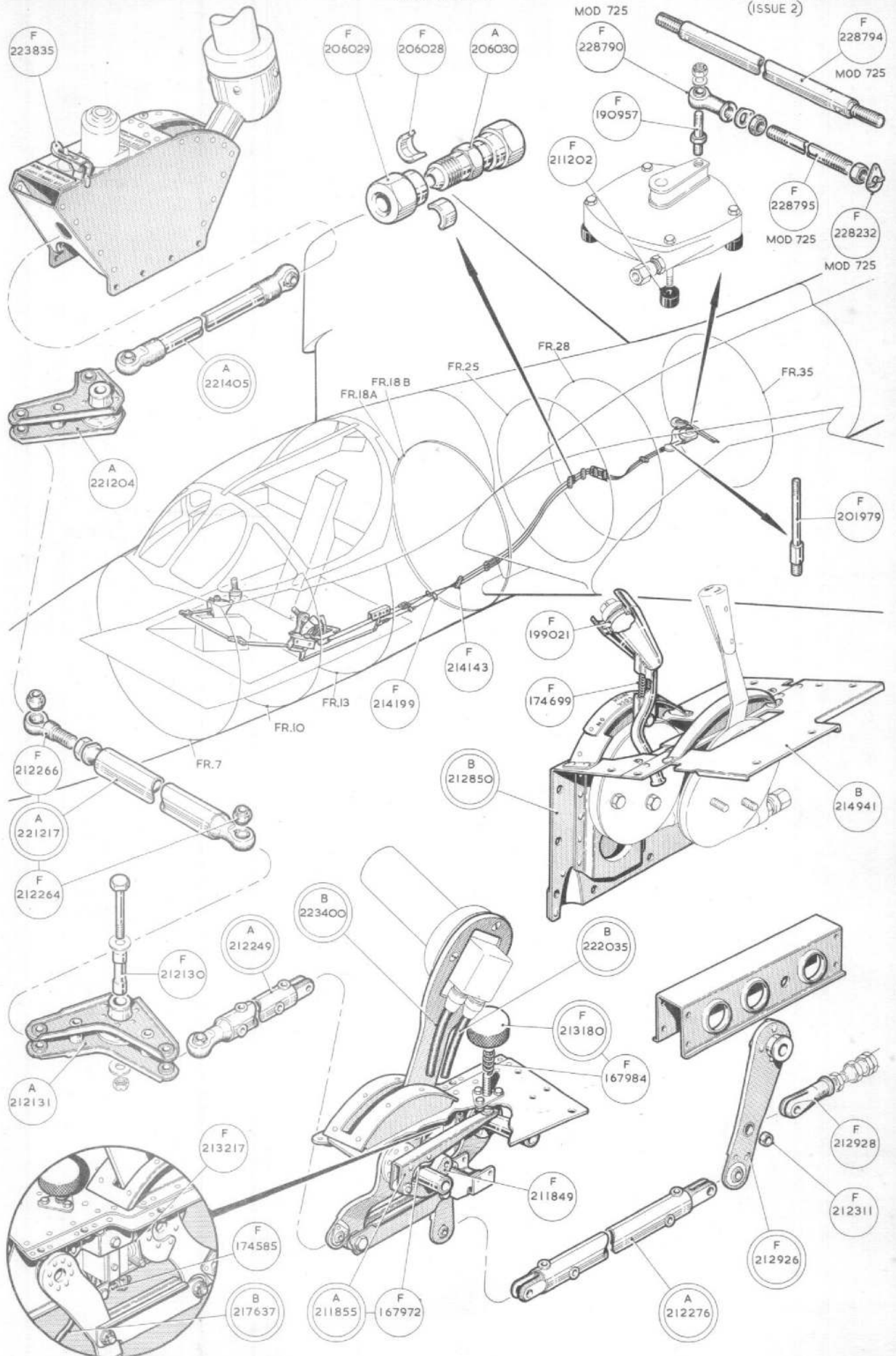


ENGINE CONTROLS—FRONT FUSELAGE

| Ref. No. | Part No. | Description | | | | | No. Off | Material Specification | M.R. Class of Score | Plate No. | | | | |
|-------------------------------|-------------|--------------|-------|--------|-----|-----|---------|------------------------|---------------------|-----------|---|---|---|---|
| | | 1 | 2 | 3 | 4 | 5 | | | | | | | | |
| SUMMARY OF STOCK ITEMS | | | | | | | | | | | | | | |
| 28D/1010658 | A.25.1B | Bolt, | 4 | B.A. | ... | ... | ... | ... | ... | ... | - | — | — | — |
| 28D/1008149 | A.25.2B | Bolt, | 4 | B.A. | ... | ... | ... | ... | ... | ... | - | — | — | — |
| 28D/9419452 | A.25.3B | Bolt, | 4 | B.A. | ... | ... | ... | ... | ... | ... | - | — | — | — |
| 28D/1011006 | A.25.5B | Bolt, | 4 | B.A. | ... | ... | ... | ... | ... | ... | - | — | — | — |
| 28D/1011011 | A.25.8B | Bolt, | 4 | B.A. | ... | ... | ... | ... | ... | ... | - | — | — | — |
| 28D/9132448 | A.25.12B | Bolt, | 4 | B.A. | ... | ... | ... | ... | ... | ... | - | — | — | — |
| 28D/9133011 | A.25.2C | Bolt, | 2 | B.A. | ... | ... | ... | ... | ... | ... | - | — | — | — |
| 28D/9133012 | A.25.3C | Bolt, | 2 | B.A. | ... | ... | ... | ... | ... | ... | - | — | — | — |
| 28D/12515 | A.25.10C | Bolt, | 2 | B.A. | ... | ... | ... | ... | ... | ... | - | — | — | — |
| 28D/9435710 | A.25.11C | Bolt, | 2 | B.A. | ... | ... | ... | ... | ... | ... | - | — | — | — |
| 28D/1011021 | A.25.16C | Bolt, | 2 | B.A. | ... | ... | ... | ... | ... | ... | - | — | — | — |
| 28D/1008151 | A.25.4E | Bolt, | 1/4" | B.S.F. | ... | ... | ... | ... | ... | ... | - | — | — | — |
| 28D/1011240 | A.25.5E | Bolt, | 1/4" | B.S.F. | ... | ... | ... | ... | ... | ... | - | — | — | — |
| 28D/1008145 | A.25.6E | Bolt, | 1/4" | B.S.F. | ... | ... | ... | ... | ... | ... | - | — | — | — |
| 28D/1011242 | A.25.7E | Bolt, | 1/4" | B.S.F. | ... | ... | ... | ... | ... | ... | - | — | — | — |
| 28D/1010031 | A.25.8E | Bolt, | 1/4" | B.S.F. | ... | ... | ... | ... | ... | ... | - | — | — | — |
| 28D/1011246 | A.25.11E | Bolt, | 1/4" | B.S.F. | ... | ... | ... | ... | ... | ... | - | — | — | — |
| 28D/1011248 | A.25.16E | Bolt, | 1/4" | B.S.F. | ... | ... | ... | ... | ... | ... | - | — | — | — |
| 28D/8337 | AS.1248.1B | Bolt, | 4 | B.A. | ... | ... | ... | ... | ... | ... | - | — | — | — |
| 28D/1007982 | AS.1248.1C | Bolt, | 2 | B.A. | ... | ... | ... | ... | ... | ... | - | — | — | — |
| 5K/2868 | SP.40.B8 | Grommet | ... | ... | ... | ... | ... | ... | ... | ... | - | — | — | — |
| 28M/5236 | A.14.EB | Nut, | 1/4" | B.S.F. | ... | ... | ... | ... | ... | ... | - | — | — | — |
| 28M/9403519 | A.27.BP | Nut, | 4 | B.A. | ... | ... | ... | ... | ... | ... | - | — | — | — |
| 28M/9403520 | A.27.CP | Nut, | 2 | B.A. | ... | ... | ... | ... | ... | ... | - | — | — | — |
| 28M/13124 | A.27.CT | Nut, | 2 | B.A. | ... | ... | ... | ... | ... | ... | - | — | — | — |
| 28M/1011467 | A.27.ES | Nut, | 1/4" | B.S.F. | ... | ... | ... | ... | ... | ... | - | — | — | — |
| 28M/13410 | A.27.NT | Nut, | 1/2" | B.S.F. | ... | ... | ... | ... | ... | ... | - | — | — | — |
| 28M/13935 | A.58.ES | Nut, | 1/4" | B.S.F. | ... | ... | ... | ... | ... | ... | - | — | — | — |
| 28M/14536 | A.58.ET | Nut, | 1/4" | B.S.F. | ... | ... | ... | ... | ... | ... | - | — | — | — |
| 28M/14555 | A.58.NS | Nut, | 1/4" | B.S.F. | ... | ... | ... | ... | ... | ... | - | — | — | — |
| 28M/10287 | AGS.2001.B1 | Nut, | 4 | B.A. | ... | ... | ... | ... | ... | ... | - | — | — | — |
| 28M/10288 | AGS.2001.C1 | Nut, | 2 | B.A. | ... | ... | ... | ... | ... | ... | - | — | — | — |
| 28M/10327 | AGS.2002.B1 | Nut, | 4 | B.A. | ... | ... | ... | ... | ... | ... | - | — | — | — |
| 28M/10328 | AGS.2002.C1 | Nut, | 2 | B.A. | ... | ... | ... | ... | ... | ... | - | — | — | — |
| 28P/833 | SP.4Y.B7 | Pin | ... | ... | ... | ... | ... | ... | ... | ... | - | — | — | — |
| 28P/1045 | SP.4Y.D23 | Pin | ... | ... | ... | ... | ... | ... | ... | ... | - | — | — | — |
| 28P/19225 | SP.90.C3 | Pin, split | ... | ... | ... | ... | ... | ... | ... | ... | - | — | — | — |
| 28P/19153 | SP.90.C5 | Pin, split | ... | ... | ... | ... | ... | ... | ... | ... | - | — | — | — |
| 28P/19154 | SP.90.C7 | Pin, split | ... | ... | ... | ... | ... | ... | ... | ... | - | — | — | — |
| 28P/12463 | SP.90.E8 | Pin, split | ... | ... | ... | ... | ... | ... | ... | ... | - | — | — | — |
| 28P/14356 | SP.31.H10 | Pin, taper | ... | ... | ... | ... | ... | ... | ... | ... | - | — | — | — |
| 28S/14301 | A.33.C14 | Screw, | 2 | B.A. | ... | ... | ... | ... | ... | ... | - | — | — | — |
| 28S/1011491 | A32.C24 | Screw, | 2 | B.A. | ... | ... | ... | ... | ... | ... | - | — | — | — |
| 28W/9419456 | SP.10.G | Washer, shim | ... | ... | ... | ... | ... | ... | ... | ... | - | — | — | — |
| 28W/9419457 | SP.10.J | Washer, shim | ... | ... | ... | ... | ... | ... | ... | ... | - | — | — | — |
| 28W/9419474 | SP.15.B | Washer, | 4 | B.A. | ... | ... | ... | ... | ... | ... | - | — | — | — |
| 28W/9419475 | SP.15.C | Washer, | 2 | B.A. | ... | ... | ... | ... | ... | ... | - | — | — | — |
| 28W/9419405 | SP.15.E | Washer, | 1/4" | dia. | ... | ... | ... | ... | ... | ... | - | — | — | — |
| 28W/9419478 | SP.15.L | Washer, | 7/16" | dia. | ... | ... | ... | ... | ... | ... | - | — | — | — |
| 28W/9419479 | SP.15.N | Washer, | 1/2" | dia. | ... | ... | ... | ... | ... | ... | - | — | — | — |
| 28W/9419404 | SP.16.C | Washer, | 2 | B.A. | ... | ... | ... | ... | ... | ... | - | — | — | — |
| 28W/9419487 | SP.16.E | Washer, | 1/4" | dia. | ... | ... | ... | ... | ... | ... | - | — | — | — |

RESTRICTED

| Ref. No. | Part No. | | | | | | Description | No. Off | Material Specification | M.R. Class of Store | Plate No. |
|----------|----------|---|---|---|---|---|-------------|---------|------------------------|---------------------|-----------|
| | | 1 | 2 | 3 | 4 | 5 | | | | | |
| | | | | | | | | | | | |



This file was downloaded
from the RTFM Library.

Link: www.scottbouch.com/rtfm

Please see site for usage terms,
and more aircraft documents.

