

FLYING CONTROLS—FRONT FUSELAGE

Ref. No.	Part No.	Description	No. Off	Material Specification	M.R. Class of Store	Plate No.
	E.217039	FLYING CONTROLS, FRONT FUSELAGE, ASSEMBLY	-	-		
2A/9500154	BAL.025	Bearing , for aileron control	1	—	B.	
6757	F.213777	Block , at attachment of torque tube to control column	2	S.96.B or S.95.B	C.	DD.2
205	Std.1553/E/120	Bolt , for control column crank	4	S.99	C.	5
206	Std.1553/E/150	Bolt , for control column crank	8	S.99	C.	DD.2
10172	Std.1553/E/170	Bolt , for attachment of levers to torque shaft ...	7	S.99	C.	
8661	Std.1553/N/330	Bolt , pivot, for rudder control lever	1	S.99	C.	5
5803	F.205015	Bolt , attachment of torque tube to control column, group	2	—	C.	DD.2
	F.166254	Bolt	1	S.95.B		
	A.53057/2	Plug	1	S.2		
2137	A.53067	Bush , at attachment of torque tube to control column	4	S.2	C.	DD.2
248	B.177650/3	Cable , rudder arm adjusting, group (Alternative to B.234558) (AS.830/94)	2	—	B.	DD.1
10145	B.234558	Cable , rudder arm adjusting (AS.830/94) Consisting of:—	2	—	B.	DD.1
	A.177657	Body , union	1	—		
	B.177650/2	Cable , Bowdenex 19/2	1	—		
	B.177650/1	Conduit , Bowdenex T.2.H	1	—		
	AS.2903	Nipple	1	—		
28M/12931	A.27.ET	Nut	1	—	C.	
	A.177653	Pin	1	—		
	Std.1522/2	Sleeve	2	—		
	F.177655	Spring	1	Sp. St.		
	Std.1522/1	Stop , adjusting	1	—		
	D.227983	Column , control, port, group	1	—		
207	F.180779	Adjuster	2	S.95.B	C.	DD.2
2A/9501177	BRE. 1/2"	Bearing , at universal fork	2	—	B.	
2A/9501178	BRE. 3/8"	Bearing , at control column head	2	—	B.	
1494	F.191314	Block , stop	1	DTD.364	C.	DD.2
208	F.177528	Bolt , attachment of control column tube to socket	1	S.95.B	C.	DD.2
209	F.177527	Bolt , attachment of control column tube to socket	1	S.95.B	C.	DD.2
220	F.166596	Bolt , chain guard attachment	2	S.95.B	C.	DD.2
26AQ/223	Std.1553/E/130	Bolt , for control column crank	4	S.99	C.	
8089	F.204430	Block , profile	1	L.65.C	C.	DD.2
	B.220655	Cable , 26F.A, group (See Cable Chart)	1	—	—	
7833	A.213425	Chain , top aileron control, complete with eye ends	1	—	C.	DD.2
211	A.182743	Chain , bottom aileron control, complete with eye ends	1	—	C.	DD.2
8662	F.221603	Clip , securing cable	1	—	C.	DD.2
	A.178531	Crank , control column	2	Stpg.		DD.2
9091	B.221990	Feel unit , group	1	—	B.	DD.2
8095	F.204424	Nut , adjusting	1	S.1	C.	DD.2
8091	A.212862	Spindle	1	S.95.B	C.	DD.2
8092	F.204420	Spring	1	DTD.215	C.	DD.2
8093	F.208510	Washer , stop	1	S.95.B	C.	DD.2
8094	F.204426	Washer , locking	1	—	C.	DD.2
8096	Std.1356/9	Washer , shim	1	—	C.	4
8097	Std.1208/90/40/48	Washer , shim	QR	Shim Steel	C.	4
212	F.180736	Ferrule , at attachment of control column tube to socket	2	S.95.B	C.	DD.2
2138	A.61599	Guard , clip, at universal joint	2	—	C.	DD.2
9876	A.231571	Guard , for feel control knob (Mod. 766)	1	—	C.	DD.2

FLYING CONTROLS—FRONT FUSELAGE

Ref. No.	Part No.	Description					No. Off	Material Specification	M.R. Class of Store	Plate No.
		1	2	3	4	5				
7831	D.206792/3						1	—	B.	DD.2
	D.206792/2						1	DTD.610		
	C.206794						1	L.59		
28M/10215	AGS.2008/B1						2	—	C.	
	F.191313						1	DTD.610		
28Q/7656	AS.164/405						2	—	C.	
28Q/7943	AS.164/304						2	—	C.	
28Q/7655	AS.163/404						10	—	C.	
7832	D.206792/4						1	—	B.	DD.2
	F.191312						1	LFS.21		DD.2
	F.177444						1	LFS.21		DD.2
	F.191311						1	LFS.21		
	F.177443						2	LFS.21		
	F.177441						1	LFS.21		DD.2
	F.177445						1	LFS.21		DD.2
9126	F.204692						1	Fibre	C.	
28D/8311	AS.1242/7C						2	—	C.	
	A.177395						1	S.3		
	D.206792/2						1	DTD.610		
	C.206793						1	L.59		
28M/10216	AGS.2008/C1						1	—	C.	
	F.177518						1	DTD.610		
28Q/10098	AS.164/409						2	—	C.	
28Q/8147	AS.164/406						4	—	C.	
28Q/8148	AS.164/407						2	—	C.	
28Q/9038	AS.164/414						2	—	C.	
28Q/10012	AS.164/415						2	—	C.	
28Q/7943	AS.164/304						2	—	C.	
28Q/8394	AS.163/304						2	—	C.	
28Q/8882	AS.163/404						10	—	C.	
27J/539	Dunlop						1	—	A.	
	AC.61044									
6974	F.180734						1	DTD.610	C.	DD.2
7834	F.212863						1	S.95.B	C.	DD.2
	F.168225						2	S.97.B		
	B.178321						1	Stpg.		
9508	B.178579						1	S.95.B	C.	
9812	F.231559						2	S.95.B	C.	DD.2
217	F.177524						1	Laminum	C.	DD.2
9507	B.178440						1	S.95.B	C.	
8602	F.178409						1	S.95.B	C.	
1891	F.195967						1	—	C.	DD.2
	A.177411						1	T.50		
	A.208523						1	T.50		
	A.73025						1	—		
	Std.1510/13/139						1	T.4		
4654	Std.1208/90/25/64						1	Shim Steel	C.	DD.2
221	Std.1208/75/33/50						1	Shim Steel	C.	DD.2
222	Std.1208/75/33/100						1	Shim Steel	C.	DD.2

FLYING CONTROLS—FRONT FUSELAGE

Ref. No.	Part No.	Description					No. Off	Material Specification	M.R. Class of Store	Plate No.
		1	2	3	4	5				
	D.217279						1	—		
207	F.180779						2	S.95.B	C.	DD.2
2A/9501177	BRE. $\frac{1}{2}$ "						2	—	B.	
2A/9501178	BRE. $\frac{3}{8}$ "						2	—	B.	
1494	F.191314						1	DTD.364	C.	DD.2
208	F.177528						1	S.95.B	C.	DD.2
209	F.177527						1	S.95.B	C.	DD.2
220	F.166596						2	S.95.B	C.	DD.2
26AQ/223	Std.1553/E/130						4	S.99	C.	
	B.223295						1	—	—	
210	A.182742						1	—	C.	DD.2
211	A.182743						1	—	C.	DD.2
8662	F.221603						1	—	C.	DD.2
	A.178531						2	Stpg.		
212	F.180736						2	S.95.B	C.	DD.2
2138	A.61599						2	—	C.	DD.2
214	D.177684/B						1	—	B.	DD.2
	D.177684/1						1	DTD.610		
28M/10215	AGS.2008/B1						2	—	C.	
	F.191313						1	DTD.610		
28Q/7943	AS.164/304						4	—	C.	
28Q/7656	AS.164/405						2	—	C.	
215	D.177684/A						1	—	B.	DD.2
	F.177441						1	LFS.21		DD.2
	F.177443						2	LFS.21		
	F.177444						1	LFS.21		DD.2
	F.177445						1	LFS.21		DD.2
	F.191311						1	LFS.21		
	F.191312						1	LFS.21		DD.2
28D/8311	AS.1242/7C						2	—	C.	
	A.177395						1	S.3		
	D.177684/2						1	DTD.610		
28M/10216	AGS.2008/C1						1	—	C.	
	F.177518						1	DTD.610		
28Q/7943	AS.164/304						2	—	C.	
28Q/8147	AS.164/406						4	—	C.	
28Q/10098	AS.164/409						2	—	C.	
28Q/9038	AS.164/414						2	—	C.	
28Q/10012	AS.164/415						1	—	C.	
27J/539	Dunlop 61044						1	—	A.	
6974	F.180734						1	DTD.610	C.	DD.2
	F.168225						2	S.97.B		
	B.178321						1	Stpg.		
9508	B.178579						1	S.95.B	C.	
216	F.182735*						1	S.95.B	C.	
9812	F.231559						2	—	C.	DD.2
217	F.177524						1	Laminum	C.	DD.2
9507	B.178440						1	S.95.B	C.	
8602	F.178409						1	S.95.B	C.	
1891	F.195967						1	—	C.	DD.2
	A.177411						1	T.50		
	A.73025						1	—		
4654	Std.1208/90/25/64						1	Shim Steel	C.	DD.2
221	Std.1208/75/33/50						1	Shim Steel	C.	DD.2
222	Std.1208/75/33/100						1	Shim Steel	C.	DD.2

FLYING CONTROLS—FRONT FUSELAGE

Ref. No.	Part No.	Description	No. Off					Material Specification	M.R. Class of Store	Plate No.
			1	2	3	4	5			
	C.217041	CONTROLS, BETWEEN FRAMES 10 TO 18, ASSEMBLY								
	C.216966	LEVERS, AFT OF SEAT FRAME, ASSEMBLY								
8663	B.216995	Lever, aileron control, group	1				—	MR/B	DD.1	
228	B.168402	Lever, elevator and rudder, group	2				—	B.	DD.1	
	F.210577	Shaft	1				T.50			
230	F.178826	Spool	2				DTD.364	C.	DD.1	
231	F.178430/3	Tube, distance, 1 1/4" o/d x 14 swg. x 0.43" long	1				T.4	C.	DD.1	
232	F.178430/4	Tube, distance, 1 1/4" o/d x 14 swg. x 0.225" long	1				T.4	C.	DD.1	
	F.210575	Tube, distance	1				L.62			
	F.210576	Tube, distance	1				L.62			
234	Std.1208/141/68/40	Washer, 1.41" o/d x 1 1/16" i/d x 0.04" wide	6				Shim Steel	C.	DD.1	
287	A.168404	Link, idling, group	3				—	B.	DD.1	
6201	A.209620	Tube, aileron, elevator and rudder control, between frames 14 and 17B, group	3				—	B.	DD.1	
6202	A.209621	Fork-end	1				S.96.B	C.		
	A.217043	Tube, aileron control, between frames 11 and 13, group	1				—			
276	A.166631	Tube, elevator and rudder control, between frames 11 and 13, group	2				—	B.	DD.1	
6822	B.190129	GAITER, FOR CONTROL COLUMN, ASSEMBLY	1				—	MR/B		
4444	F.201985	Clip, for gaiter attachment	2				L.72	C.	DD.1	
4105	Std.1285/8CC	Connector, earthing	2				—	C.	4	
1495	B.190128	Gaiter, at control column base, group	2				—	C.	DD.1	
4106	F.199283	Guard, for gaiter	1				L.72	C.	DD.1	
5799	A.205006	Support, for gaiter	1				L.72	C.		
	F.165984	Guard, chip, at housing for aileron control	1				DTD.610			
10867	F.218110	Guard, chip, at housing for aileron control	1				L.72	C.		
	F.218200	Guard, chip, at aileron control	1				L.72			
10516	A.185082	Housing, aileron torque tube, group	2				—	C.		
223	G.300225 1/2	Seal, "Gaco"	1				SE.85	C.	DD.2	
	A.180432	Housing, control column crank, group	2				—			
224	G.189125 3/8	Seal, "Gaco"	1				SE.85	C.	DD.2	
	B.217273	Housing, bearing, for aileron control	1				Casting			
613	A.177446	Housing, bearing, rudder lever, group	2				—	B.	DD.2	
2A/9500419	Hoffmann T.17	Bearing	1				—	B.	DD.2	
645	A.180433	Housing, bearing, rudder lever, group	2				—	B.	DD.2	
2A/9500419	Hoffmann T.17	Bearing	1				—	B.	DD.2	
27Q/70127	Dowty 1-00426001	Jack (aileron geared, group)	1				—	A.		
	B.207266	Lever, elevator control, under pilot's floor, group ...	1				—			
	B.229510	Lever, elevator control, under pilot's floor, group ...	2				—			
10171	B.207567	Lever, elevator control under pilot's floor, group	2				—	B.		
226	B.165970	Lever, rudder control, aft of frame 8 under pilot's floor, group	1				—	B.	DD.1	
	B.207280	Lever, rudder control, group	1				—			
	B.207281	Lever, rudder control, under pilot's floor, group ...	1				—			
2139	A.53255	Nut, attachment of torque tube to control column	2				S.2	C.	DD.2	
	Std.1921/SS	Nut, for spindle, at aileron control jack	1				S.94.B			
	C.211957	Piece, distance, at rudder control lever	1				S.1.B			
	F.235549	Piece, distance, at torque tube (AS.840/95)	1				L.65.C			
5804	A.53057/1	Pin, attachment of torque tube to control column ...	1				S.94.B	C.	DD.2	
240	F.182714	Plate, locking, for rudder lever	1				S.3	C.	DD.1	
	D.207392	Rudder bar, group	2				—			
	B.207322	Arm, rudder bar, group	2				—		DD.1	
10775	F.214828	Bush	2				B.8	C.		
242	F.179017	Eye-bolt, adjusting link attachments	1				S.95.B	C.	DD.1	
2A/9500419	BRT.1 1/16	Bearing, rudder control spindle	2				—	B.		
244	Std.1551/2/65	Bolt, adjusting link attachment to rudder bar arm	4				S.99.B	C.	DD.1	
243	Std.325/154	Bolt, attachment of rudder bar links to pedal ...	2				S.99.B	C.	DD.1	
4271	F.199879	Bolt, for lever stop	1				S.96	C.	DD.1	

FLYING CONTROLS—FRONT FUSELAGE

Ref. No.	Part No.	Description					No. Off	Material Specification	M.R. Class of Store	Plate No.
		1	2	3	4	5				
4270	F.199878						1	—	C.	DD.1
245	F.148388						1	B.8	C.	DD.1
246	F.148389						1	B.8	C.	DD.1
247	F.148387						2	DTD.176A	C.	DD.1
	A.207278						1	—		
251	F.178554						2	S.95.B	C.	DD.1
	A.207290						1	—		DD.1
	A.207289						1	—		DD.1
4554	F.202251						QR	Brass Lam.	C.	
10637	C.203345						2	—	MR/B	
10717	A.97877						1	BS.369 or B.8	C.	
254	F.179068						1	LFS.21	C.	DD.1
4767	B.203346						1	—	C.	DD.1
4102	A.198965						1	—	C.	DD.1
	C.207293						1	Casting		
253	B.177767						1	Casting		DD.1
257	A.169699						1	—	C.	DD.1
258	GACO						1	SE.85	C.	DD.1
	G.175106 ³ / ₈									
5797	F.204988						1	S.84	C.	DD.1
6749	A.210153						1	S.84	C.	DD.1
259	F.165192						QR	DTD.364	C.	DD.1
1927	F.196367						1	DTD.364	C.	DD.1
260	A.177118						1	Stpg.	C.	DD.1
261	F.169546						1	Sp. St.	C.	DD.1
	A.207292						1	L.65.C		
	F.207581						1	L.72		
4150	Std.914/C/22						3	S.1 or S.3	C.	4
X	A.230423						1	S.95.B		DD.2
X	A.208242						1	S.95.B		
264	F.178750						2	S.95.B	C.	DD.2
	Std.1208/130/68/50						2	Shim Steel		
267	Std.1208/150/68/50						2	Shim Steel	C.	DD.2
X	Std.1208/200/96/15						10	Shim Steel		
	A.216960						1	S.96.B or S.95.B		
	A.207336						1	—		
2368	F.171710						1	—	MR/C	
	A.207381						1	—		
279	B.165991						1	—	B.	DD.1
	A.207361						1	—		DD.1
274	A.171044						1	S.96.B	B.	
	B.207328						1	—		DD.1
278	B.165990						1	—	B.	
	A.207337						1	—		DD.1
2368	F.171710						1	—	MR/C	

FLYING CONTROLS—FRONT FUSELAGE

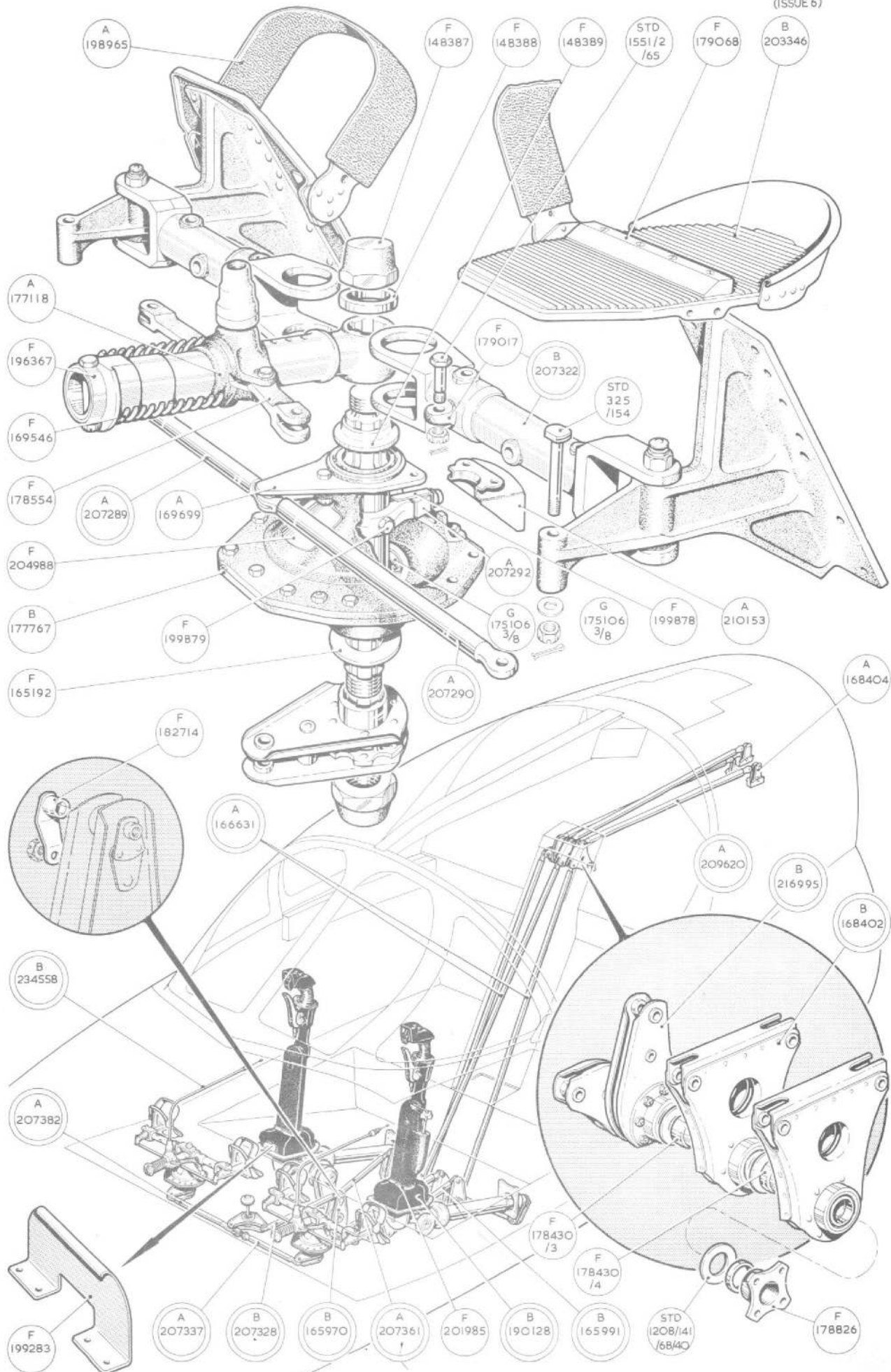
Ref. No.	Part No.	Description	No. Off	Material Specification	M.R. Class of Store	Plate No.
	A.207382	Tube , rudder control, starboard, between pedestal and port tube, group	1	—		DD.1
	B.207338	Tube , torque, for elevator and rudder controls ...	1	T.50		
	B.207279	Tube , aileron torque, group	2	—		
2A/9500154	BAL.025	Bearing	1	—	B.	
	F.165984	Guard , chip	1	DTD.610		DD.2
10867	F.218110	Guard , chip	1	L.72	C.	DD.2
	B.208230	Housing , bearing	1	Casting		DD.2
	A.207278	Lever , group	1	—		DD.2
272	Std.1208/106/24/64	Washer	1	Shim Steel	C.	DD.2
	F.216961	Tube , distance, on aileron central jack spindle ...	1	T.26 or S.1.B		
1497	F.185083	Washer , for aileron torque tube housing	2	DTD.560	C.	DD.2
	E.217039/1	Washer , for pivot bolt at rudder control lever ...	1	L.72		
8664	E.217039/2	Washer , sealing, $\frac{1}{16}$ " thick \times 0.5" i/d \times 1.75" o/d, for pivot bolt at rudder control lever	1	Rubber	C.	
	F.218338	Washer , special, for aileron control jack spindle ...	1	L.65.C		

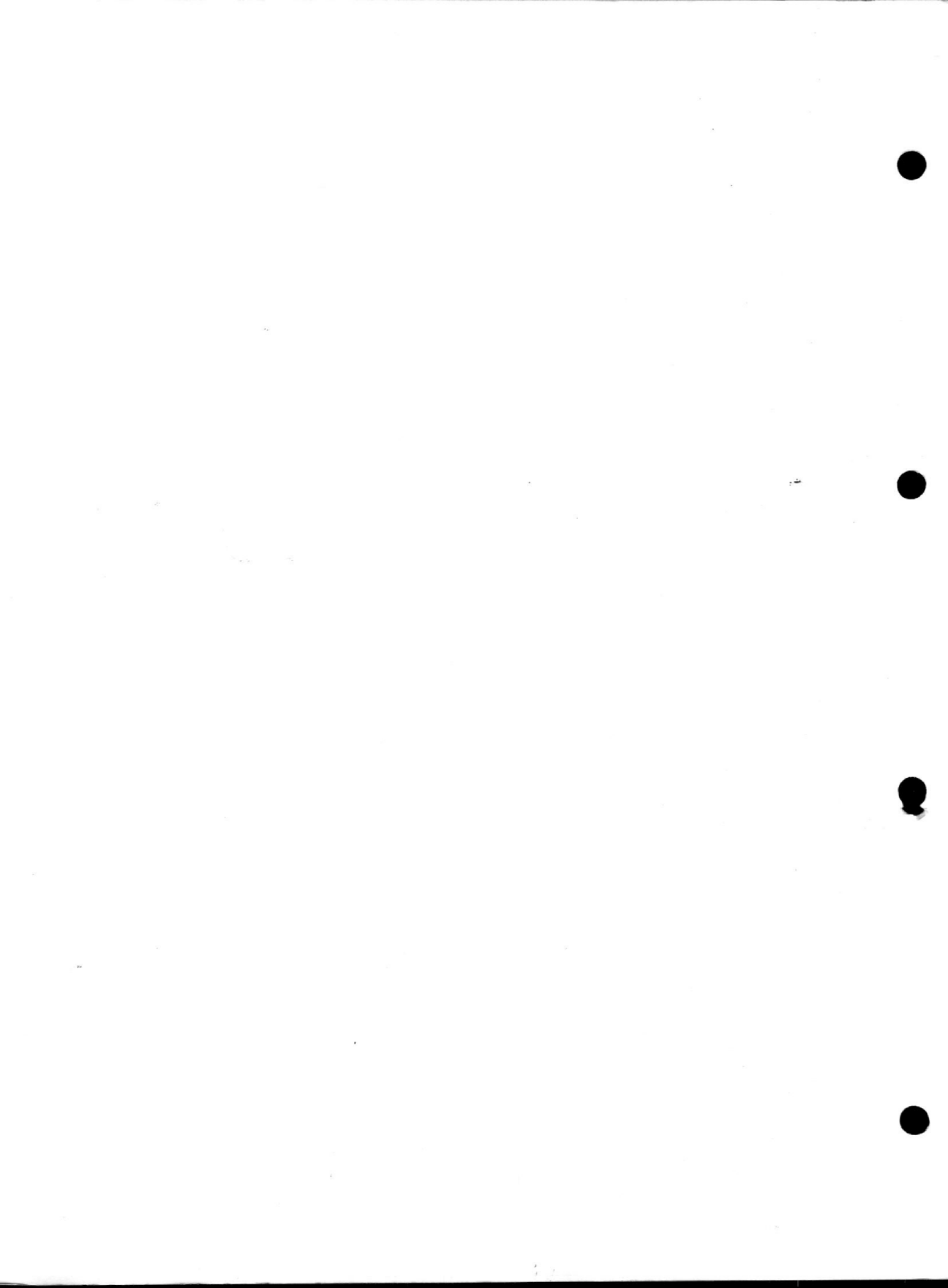
Hunter T. Mk. 7
 Issued with A/L No. 8

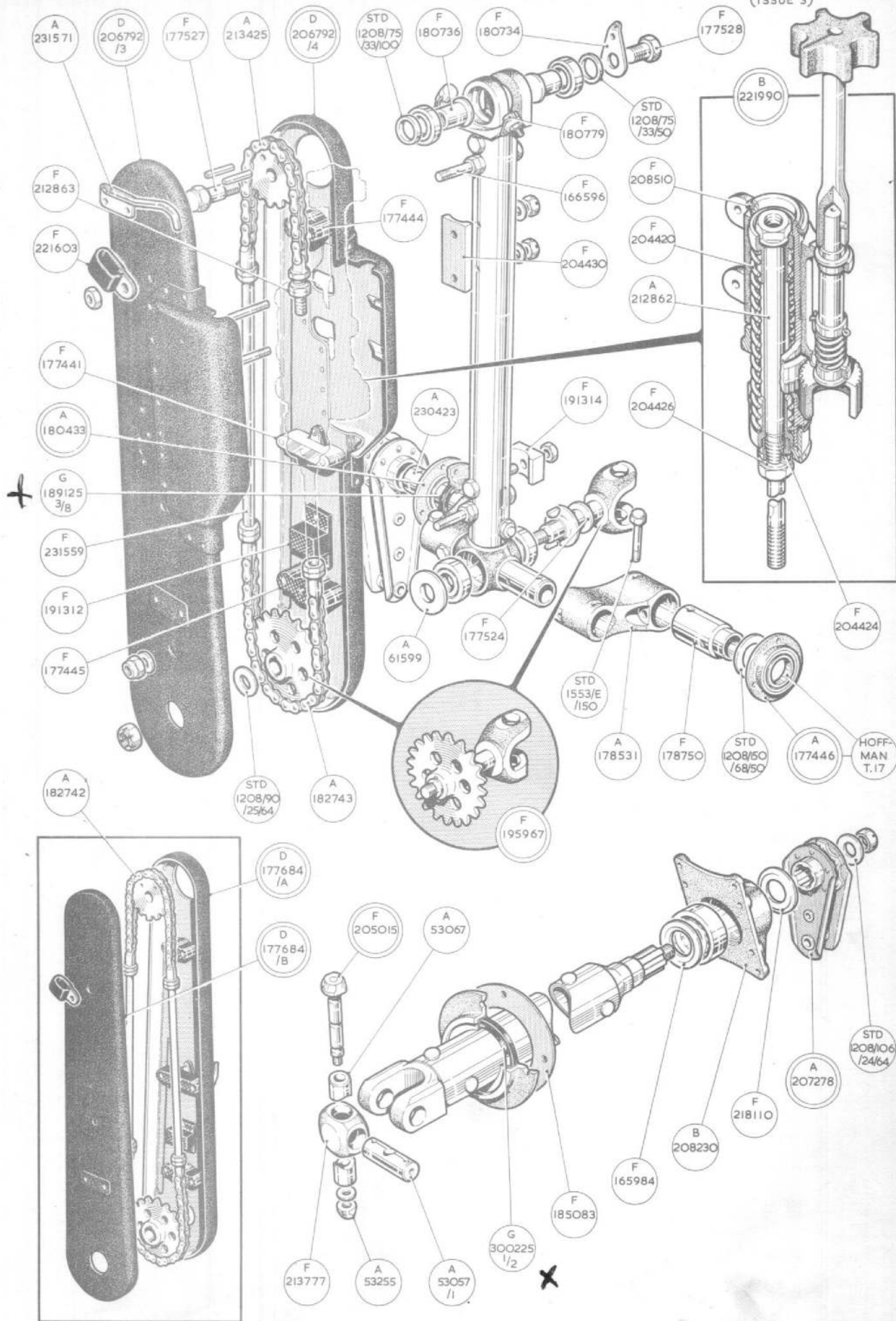
FLYING CONTROLS—FRONT FUSELAGE

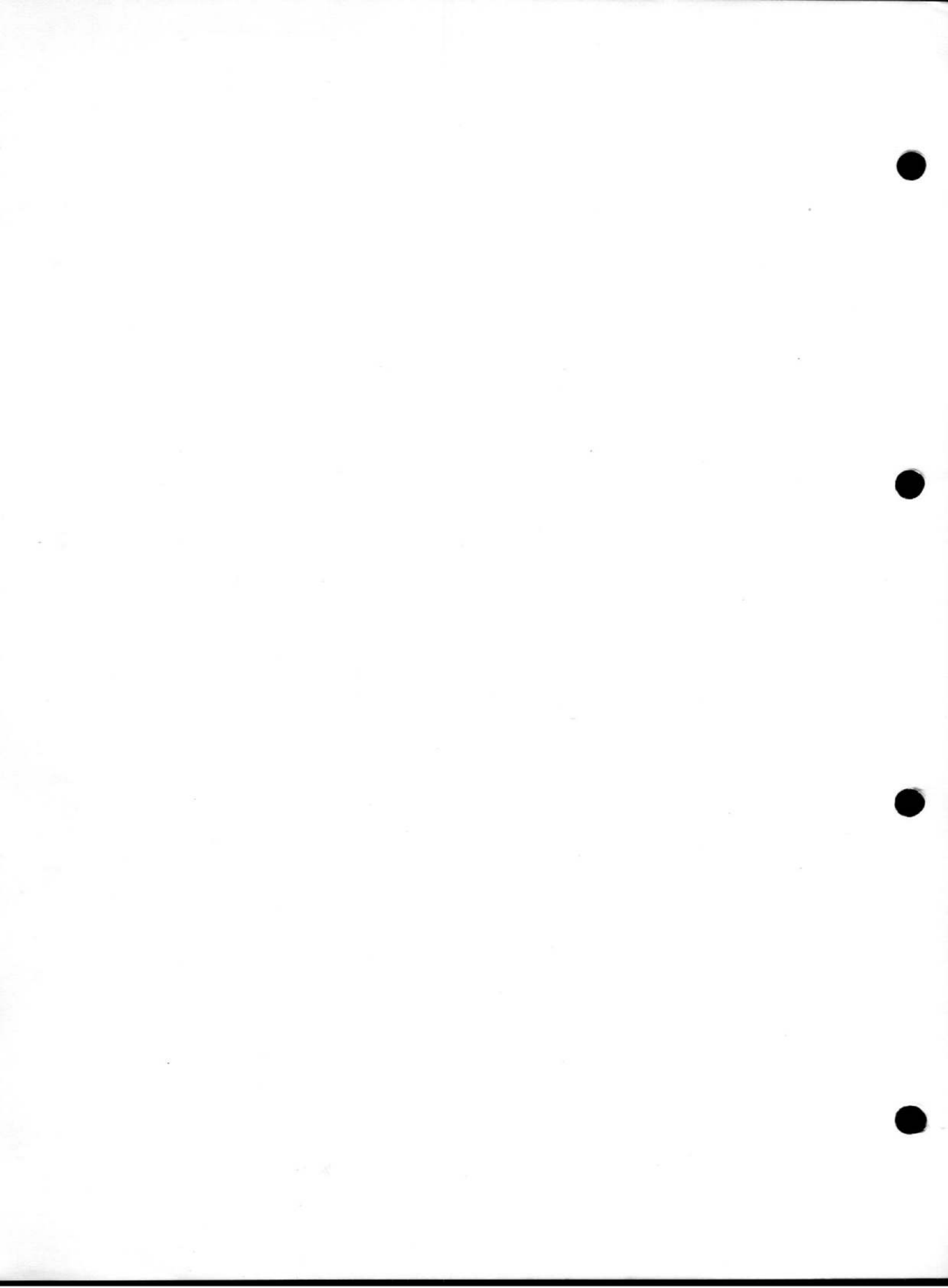
Ref. No.	Part No.	Description					No. Off	Material Specification	M.R. Class of Store	Plate No.
		1	2	3	4	5				
SUMMARY OF STOCK ITEMS										
28D/9133011	A.25.2C	Bolt	—	—
28D/9133012	A.25.3C	Bolt	—	—
28D/1200119	A.25.4C	Bolt	—	—
28D/12533	A.25.5C	Bolt	—	—
28D/12536	A.25.13C	Bolt	—	—
28D/1011240	A.25.5E	Bolt	—	—
28D/12547	A.25.15E	Bolt	—	—
28D/12550	A.25.22E	Bolt	—	—
28D/13099	A.30.17C	Bolt	—	—
28D/13361	A.30.8E	Bolt	—	—
28D/13711	A.30.9E	Bolt	—	—
28D/14010	A.30.10E	Bolt	—	—
28D/13442	A.30.11E	Bolt	—	—
28D/13474	A.30.12E	Bolt	—	—
28D/13979	A.30.14E	Bolt	—	—
28D/13115	A.30.16E	Bolt	—	—
28D/13102	A.30.21J	Bolt	—	—
28D/8309	AS.1242/4C	Bolt	—	—
28N/9156370	SP.21	Greaser	—	—
28M/13121	A.27.CS	Nut	—	—
28M/13124	A.27.CT	Nut	—	—
28M/12928	A.27.EP	Nut	—	—
28M/1011467	A.27.ES	Nut	—	—
28M/12931	A.27.ET	Nut	—	—
28M/13464	A.27.G.T.L.	Nut	—	—
28M/1011476	A.27.JS	Nut	—	—
28M/13641	A.27.LT	Nut	—	—
28M/13935	A.58.ES	Nut	—	—
28M/14536	A.58.ET	Nut	—	—
28M/14833	A.58.JS	Nut	—	—
28M/15496	A.58.LT	Nut	—	—
28M/14555	A.58.NS	Nut	—	—
28M/7683	AGS.572/A	Nut, 6 B.A.	—	—
28F/10108	AGS.1148/C	Nut, 2 B.A.	—	—
28M/10288	AGS.2001/C1	Nut	—	—
28M/10330	AGS.2002/E1	Nut	—	—
28M/1011470	A.27.GT	Nut, 5/16" B.S.F.	—	—
28P/19154	SP.90.C7	Pin, split	—	—
28P/19229	SP.90.C9	Pin, split	—	—
28P/19235	SP.90.E10	Pin, split	—	—
28P/19155	SP.90.E12	Pin, split	—	—
28W/9419475	SP.15C	Washer	—	—
28W/9419405	SP.15E	Washer	—	—
28W/9419476	SP.15G	Washer	—	—
28W/9419477	SP.15J	Washer	—	—
28W/9419479	SP.15N	Washer	—	—
28W/9419404	SP.16C	Washer	—	—
28W/9419487	SP.16E	Washer	—	—

Ref. No.	Part No.	Description					No. Off	Material Specification	M.R. Class of Store	Plate No.
		1	2	3	4	5				









This file was downloaded
from the RTFM Library.

Link: www.scottbouch.com/rtfm

Please see site for usage terms,
and more aircraft documents.

