

EQUIPMENT-ANCILLARY

Ref. No.	Part No.	Description	No. Off	Material Specification	M.R. Class of Store	Plate No.
	E.214053	ANCILLARY EQUIPMENT, ASSEMBLY	-	-		
2726	A.195020	Adaptor , union for pressure gauge pipe	1	DTD.364	MR/C	GA.3
4Q/2655	—	Adaptor , head, Mk. 102	3	—	A.	
4Q/2594	—	Adaptor , head, Mk. 42 (AS.740/83)	1	—	B.	
105G/11	—	Adaptor	1	—	B.	
95527	A.208035	Adaptor , for external air supply, group	1	—	B.	GA.4
	A.208029	Adaptor	1	Brass		
95723	BEN/SA.179	Plug , half, ferrule, "Instantair," $\frac{3}{8}$ "	1	—	C.	
1731	F.193381	Ring , sealing	1	Rubber	C.	GA.4
	E.229601	ANCILLARY EQUIPMENT (ARMAMENT INSTALLATION), ASSEMBLY	-	-		
95674	D.226308	Adaptor , for ammunition box trolley, group (To be used in conjunction with Aden Gun Trolley Cradle 4G/5455)	1	—	B.	GA.9
28FP/25	Aviation Dev. A.611	Pin , pip	1	—	C.	
95675	C.226309	Adaptor , for gun trolley (To be used in conjunction with Aden Gun Trolley Cradle 4G/5455)	1	—	B.	GA.9
95676	C.223647	Attachment , gun lifting, group	1	—	B.	GA.9
28FP/32	Aviation Dev. A.623	Pin , pip	1	—	C.	
96677	B.223910	Brace for gun hoist	1	—	B.	
95678	D.224222	Cradle , gun, group (To be used in conjunction with Aden Gun Trolley 4G/5455)	1	—	B.	GA.6
95679	F.224221	Spigot	2	H.T.S.	C.	GA.6
95680	A.223952	Extension for gun hoist , group	1	—	B.	GA.10
95681	Mollart Eng. Type 0.1	Ball , joint union, $\frac{3}{16}$ " bore X $\frac{7}{16}$ " deep	1	—	C.	
95682	F.223912	Drive	1	62.B	C.	GA.10
28FP/4	Aviation Dev. A.407	Pin , pip	1	—	C.	
95683	B.224119	Hoist , lifting, group	1	—	A.	GA.9
95684	B.223577	Bracket , mounting, group	1	—	B.	GA.9
28X/5450	—	Cable , 3 cwt., 16" long	2	W.11	C.	
95685	F.223613	Nut	1	S.95.B	C.	GA.9
95686	F.223616	Spring	1	Sp. St.	C.	
	C.226234	Gearbox , group	1	—		
95687	F.226524	Bush	1	BSS.369	C.	
95688	A.223654	Bush	1	BSS.369	C.	
95689	A.223655	Bush	1	BSS.369	C.	
95690	A.223656	Bush	2	BSS.369	C.	
95691	A.223658	Bush	1	BSS.369	C.	
95692	A.223710	Cable	1	—		
95693	B.226110	Casing	1	Casting	B.	
95694	Salter & Co. 5100/43	Circlip , $\frac{7}{16}$ " extension	2	—	C.	
95695	A.226340	Cover	1	L.72	C.	
95696	B.223715	Drum , split	1	L.65.C	C.	
95697	B.223716	Drum , split	1	L.65.C	C.	
95698	F.226392	Gasket	1	Klingerit	C.	
95699	F.223678 } F.223679 } A.223677 }	Gear box , worm and spindle, group	1 set	—	B.	

EQUIPMENT-ANCILLARY

Ref. No.	Part No.	Description					No. Off	Material Specification	M.R. Class of Score	Plate No.
		1	2	3	4	5				
95700	B.226233						1	Casting	B.	
2A/9500491	Ransome & Marles FT. 3/8"						1	—	B.	
95701	B.226230 } B.226231 }						1 set	—	B.	
95702	A.223697						1	S.80.B	C.	
95703	F.223662						2	S.96.B	C.	
95704	F.223663						1	Brass	C.	
95705	F.226235						2	Brass	C.	
95707	E.223262						1	—	B.	GA.9
95708	A.223263						1	—	C.	GA.9
	Std.1996/9						1	—		9
9136	—						1	Steel	C.	
4G/	—						1	—	A.	
4GB/4174	—						1	—	A.	
95612	D.218657						1	—	A.	GA.9
6133	Std.1996/7						2	—	C.	5
	F.218535						2	M.S. S.S.4		
	F.218534						2	H.T.S. Bar		
	B.218532						2	H.T.S. Bar		
28FP/31	Aviation Dev. A.619						2	—	C.	
	F.218536						2	Sp. St.		
4GB/3867	Dunlop TW.49A						2	—	A.	
4GB/3071	—						1	—	A.	
95220	A.201222						1	S.1	B.	GA.4
95736	D.231154						1	—	B.	GA.10
95633	D.228419						1	—	B.	GA.10
4Q/2617	—						3	—	A.	
	D.219659						1	—		
95604	B.213633						1 pr.	—	B.	GA.5
	C.213621						1	—		
	C.213622						1	—		
	C.200079						1	—		
	C.200080						1	—		
	C.200081						1	—		
	C.200082						1	—		
95782	A.192941						1	—	C.	
95783	A.192942						1	—	C.	
26AQ/5893	F.193287						2	M.S.	C.	
95786	F.193285						2	M.S.	C.	
95787	F.193286						2	M.S.	C.	
95788	F.193288						2	M.S.	C.	
95785	A.194620						2	M.S.	C.	
95789	F.184342						2	Sp. St.	C.	
9138	—						1	Steel	C.	
95065	A.164139						1	—	C.	GA.2
	B.214194/2						1	Webbing		

EQUIPMENT-ANCILLARY

Ref. No.	Part No.	Description	No. Off	Material Specification	M.R. Class of Score	Place No.
95217	C.200177	Cover, for centre fuselage duct, port ...	1	—	B.	GA.5
95218	C.200178	Cover, for centre fuselage ducts, starboard ...	1	—	B.	GA.5
95552	C.218417	Cover, sealing, for jet, pipe group ...	1	—	B.	GA.5
—	Std.1996/12	Chain (Make from 294H/4113) ...	1	Brass	—	—
95065	A.164139	Pennant ...	1	—	C.	GA.2
—	—	Ring, split, $\frac{3}{8}$ " o/d x $\frac{1}{2}$ " i/d ...	2	Steel	C.	—
95727	C.230908	Cover, protective for trunking J.B., starboard ...	1	—	B.	GA.6
95726	C.230909	Cover, protective for trunking J.B., port ...	1	—	B.	GA.6
95022	D.194044	Cradle, inboard, for wing trestling, group ...	2	—	B.	GA.6
6133	Std.1996/7	Chain, 7" long ...	2	Brass	C.	5
—	F.180683	Lever ...	2	S.1	—	—
—	Aerolex	Pin, quick release (use 28FP/18) ...	2	Steel	—	—
—	F.48/7/513	—	—	—	—	—
95023	D.194045	Cradle, outboard, for wing trestling, group ...	2	—	B.	GA.6
6133	Std.1996/7	Chain, 7" long ...	2	Brass	C.	5
—	A.180683	Lever ...	2	S.1	—	—
—	Aerolex	Pin, quick release (use 28FP/18) ...	2	Steel	—	—
—	F.48/7/513	—	—	—	—	—
95729	E.230827	Equipment, gun alignment, group (complete in box)	1	—	A.	GA.10
—	E.230828	Box ...	1	—	—	—
95730	C.215354	Bearer, port ...	1	—	B.	GA.10
95731	C.215355	Bearer, starboard ...	1	—	B.	GA.10
95732	A.215371	Cross-tube ...	1	T.26	B.	GA.10
95609	B.205914	Extension, jacking, main wheel, group ...	1	—	B.	GA.2
—	F.192139	Pin ...	1	S.1	—	—
—	F.176122	Plug ...	1	S.1	—	—
—	F.186124	Spring ...	1	DTD.239	—	—
95058	A.191552	Extractor, for front spar joint pin ...	1	—	B.	GA.3
95059	A.191655	Extractor, for rear spar joint pin ...	1	—	B.	GA.3
95140	B.198963	Extractor, for main spar wing joint bush ...	1	—	B.	GA.3
95141	C.198962	Extractor, for rear spar wing joint bush ...	1	—	B.	GA.3
95303	Dunlop A.10054	Extractor, for main wheels ...	1	—	A.	—
95032	Dunlop A.5826	Extractor, for nose wheel ...	1	—	A.	—
27C/5062	Dunlop A.10039	Fixture, brake alignment ...	1	—	A.	—
95792	D.232208	Fixture, flying controls rigging ...	1	—	A.	—
95644	C.224263	Gauge, incidence, for main plane, group ...	1	—	B.	GA.4
—	F.192067	Bar, contact ...	1	BSS.251	—	—
95007	B.201624	Gauge, incidence, for tail plane ...	1	—	B.	GA.4
95006	A.192534	Gauge, dihedral, main plane ...	1	—	B.	GA.4
—	A.231118	Gauge, feeler for aileron hydrobooster adjustment ...	1	—	—	—
—	A.231119	Gauge, feeler for aileron hydrobooster adjustment ...	1	—	—	—
95860	A.249091	Gauge, for undercarriage lever setting, rear lock, group (Mod. 1021)	1	—	B.	GA.8
—	Std.1996/12	Chain (Make from 29H/413) ...	2	Brass	—	—
—	F.249045	Gauge, rear lock ...	1	Cast Steel	—	—
95871	F.249580	Nut, knurled ...	1	B.11	C.	—
95065	A.164139	Pennant ...	1	—	C.	—
9136	—	Ring, key, $\frac{3}{8}$ " dia. ...	3	Steel	C.	—
95870	F.249044	Screw, knurled ...	2	S.94.B	C.	—
95861	A.249092	Gauge, for undercarriage lever setting, front lock, group (Mod. 1021)	1	—	B.	GA.8
—	Std.1962/12	Chain (Make from 29H/4113) ...	2	Brass	—	—
—	F.249046	Gauge, front lock ...	1	Cast Steel	—	—
95871	F.249580	Nut, knurled ...	1	B.11	C.	—
95065	A.164139	Pennant ...	1	—	C.	—
9136	—	Ring, key, $\frac{3}{8}$ " dia. ...	3	Steel	C.	—
95870	F.249044	Screw, knurled ...	3	S.94.B	C.	—

EQUIPMENT-ANCILLARY

Ref. No.	Part No.	Description	No. Off	Material Specification	M.R. Class of Store	Plate No.
95508	A.210921	Gauge, setting, undercarriage, nosewheel down ...	1	—	B.	GA.4
95513	B.214835	Gauge, setting, for micro switch nosewheel up ...	1	—	B.	GA.4
95793	C.235557	Gauge, checking, hoodlock micro switch adjustment (Mod. 869)	1	—	B.	
	C.221206	GROUND LOCKING GEAR, FOR FLYING CONTROLS, ASSEMBLY	—	—		
95137	C.189263	Ground locking gear, for aileron, group ...	2	—	B.	GA.7
6133	Std.1996/7	Chain, 7" long ...	1	Brass	C.	5
95155	A.111811	Cord, shock absorber ...	2	F.16	C.	GA.7
	A.208394	Pennant ...	1	—	C.	
	C.206419	Plate, locking ...	1	S.3		
9136	—	Ring, split type, 3/8" dia. ...	2	Steel	C.	
95514	A.189264	Strap ...	1	F.52	C.	GA.7
95138	C.192836	Ground locking gear, for elevator, group ...	2	—	B.	GA.7
95068	A.192835	Cord, tension ...	2	F.16	C.	GA.7
95139	B.189267	Ground locking gear, for rudder, group ...	1	—	B.	GA.7
95069	A.193038	Bolt, wing ...	1	S.92.B & S.3	C.	GA.7
6133	Std.1996/7	Chain, 7" long ...	2	Brass	C.	5
	A.208394	Pennant ...	1	—		
9136	—	Ring, split type, 3/8" dia. ...	4	—	C.	
95605	B.219222	Ground locking gear, for cockpit controls, group ...	1	—	B.	GA.7
	A.88468	Bolt ...	2	S.1		
	A.192829	Bracket ...	1	S.3 & Rubber		
	A.200724	Bracket, for aileron locking ...	1	—		
	B.219222/1	Cable, front (complete with hooks and thimbles)	2	W.2		
	B.219222/2	Cable, rear (complete with hooks, thimbles and bracket)	2	W.2		
	A.188484	Cap ...	1	S.3		
	A.200718	Cap, for aileron locking ...	1	—		
6133	Std.1996/7	Chain, 7" long ...	1	Brass	C.	5
	F.186679	Eye-bolt ...	1	S.1		
	A.208393	Pennant ...	1	—		
	—	Ring, split type, 3/8" dia. ...	2	Steel		
9136	—	Ring, split type, 3/8" dia. ...	2	Steel	C.	
95616	B.214206	Ground lock, for nose wheel, group ...	1	—	B.	GA.7
	A.214436	Adjuster ...	1	—		
	A.214435	Bar, clamping, group ...	1	—		
	A.214435/2	Seating ...	2	LFB.82		
6133	Std.1996/7	Chain, 7" long ...	2	Brass	C.	5
95072	A.193720	Pennant ...	1	—	C.	GA.7
—	Aerolex F.48/7/508	Pin, quick release (use 28FP/15) ...	1	—	—	
9136	—	Ring, split type, 3/8" dia. ...	3	Steel	C.	
	A.204974	Guard, for spigot in wheel bay ...	1	—		
95617	A.218961	Guard, safety, for air intake, port, group ...	1	—	B.	GA.5
95618	A.218962	Guard, safety, for air intake, starboard, group ...	1	—	B.	GA.5
95782	A.192941	Catch, assembly, port ...	1	—	C.	
95783	A.192942	Catch, assembly, starboard ...	1	—	C.	
26AQ/5893	F.193287	Eye-bolt ...	2	M.S.	C.	
95786	F.193285	Lever ...	2	M.S.	C.	
95787	F.193286	Link ...	2	M.S.	C.	
95788	F.193288	Plunger ...	2	M.S.	C.	
	A.194621	Spindle ...	2	M.S.		
95789	F.184342	Spring ...	2	Sp. St.	C.	
	C.218224	Strut, bracing ...	2	—		
95086	A.194464	Guide, for fuel tanks vent connector ...	1	—	B.	GA.3

EQUIPMENT-ANCILLARY

Ref. No.	Part No.	Description	No. Off	Material Specification	M.R. Class of Store	Plate No.
95421	A.214536	Indicator , position, for aileron booster unit adjustment	1	EB.33 & S.3	B.	GA.4
95728	D.227026	Jig , setting, up micro switch, nose undercarriage ...	1	—	B.	GA.8
95733	B.227016	Jig , setting, nosewheel door sequence valve ...	1	—	B.	GA.8
4Q/2604	MG.576/1 Mod. 2	Jack , pillar type, 4 ton, hydraulic ...	1	—	A.	
95390	A.212332	Key , for hydraulic reservoir ...	1	T.26 & S.3	B.	GA.3
—	F.223909	Key , armament ground test switch (Use 1E/5245) ...	1	—	—	
95603	D.213985	Ladder , for pilot, group ...	2	—	A.	GA.5
95306	A.201030	Lock , rigging, elevator control tube ...	1	—	C.	GA.7
95307	A.201031	Lock , rigging, aileron to rudder control tubes ...	2	—	C.	GA.7
4G/3966	—	Mats , for main plane ...	2	—	B.	
95607	B.208925	Pad , jacking, at frame 11, group ...	1	—	B.	GA.2
6133	Std.1996/7	Chain , 7" long ...	2	Brass	C.	5
—	Aerolex F.48/7/508	Pin , quick release (use 28FP/15) ...	2	—	—	
9136	—	Ring , split type, 3/4" dia. ...	4	Steel	C.	
95606	B.205909	Pad , jacking, for main plane, group ...	2	—	B.	GA.2
6133	Std.1996/7	Chain ...	2	—	C.	5
—	Aerolex F.48/7/509	Pin , quick release (use 28FP/923) ...	2	—	—	
9136	—	Ring , split type, 3/4" dia. ...	4	Steel	C.	
95608	A.205912	Pad , jacking, for nose undercarriage, group ...	1	—	B.	GA.2
6133	Std.1996/7	Chain , 7" long ...	1	—	C.	5
—	B.205911	Pad , jacking ...	1	Casting	—	
95065	A.164139	Pennant ...	1	—	C.	GA.2
—	Aerolex F.48/7/830	Pin , quick release (use 28FP/638) ...	1	—	—	
	D.193482	PICKETING AND REARWARD TOWING, ASSEMBLY	—	—	—	
95203	F.159908	Bolt , picketing, for rear fuselage, group ...	1	—	B.	GA.5
6133	Std.1996/7	Chain , 7" long ...	1	Brass	C.	5
95632	F.159909	Eyebolt ...	1	S.95.B	C.	
95065	A.164139	Pennant ...	1	—	C.	GA.2
9137	—	Ring , split type, 1" dia. ...	2	—	C.	
4GB/4138	—	Bridle , towing, 35 ft. long ...	1	—	A.	
95205	A.176437	Shackle , picketing, for main undercarriage, group	2	—	B.	GA.5
6133	Std.1996/7	Chain , 7" long ...	3	Brass	C.	5
95071	F.176436	Collar , locking ...	1	T.45 & S.3	C.	GA.5
95065	A.164139	Pennant ...	1	—	C.	GA.2
—	Aerolex F.48/7/512	Pin , quick release (use 28FP/17) ...	1	—	—	
9136	—	Ring , split type, 3/4" dia. ...	4	Steel	C.	
95204	A.176434	Shackle , picketing, for nose undercarriage, group	1	—	B.	GA.5
6133	Std.1996/7	Chain , 7" long ...	2	Brass	C.	5
95065	A.164139	Pennant ...	1	—	C.	GA.2
—	Aerolex F.48/7/830	Pin , quick release (use 28FP/638) ...	1	—	—	
9136	—	Ring , split type, 3/4" dia. ...	3	Steel	C.	

EQUIPMENT-ANCILLARY

Ref. No.	Part No.	Description	No. Off	Material Specification	M.R. Class of Store	Plate No.
	D.191909	PICKETING AND REARWARD TOWING, ASSEMBLY (S.O.O. for embalmed aircraft only)	-	-		
95203	F.159908	Bolt , picketing, for rear fuselage, group	1	-	B.	GA.5
6133	Std.1996/7	Chain , 7" long	1	Brass	C.	5
95632	F.159909	Eye-bolt	1	S.95.B	C.	
95065	A.164139	Pennant	1	-	C.	GA.2
9137	-	Ring , split type, 1" dia.	2	-	C.	
4GB/4137	-	Bridle , rearward towing	1	-	A.	
	B.191910	Fitting , picketing and rearward towing, at main undercarriage, group	2	-		GA.5
6133	Std.1996/7	Chain , 7" long	3	Brass	C.	5
95071	F.176436	Collar	1	M.S.P. & M.S.T.	C.	GA.5
95065	A.164139	Pennant	1	-	C.	GA.2
-	Aerolex F.48/7/512	Pin , quick release (use 28FP/17)	1	-	-	
9137	-	Ring , split type, 1" dia.	5	Comml.	C.	
	A.191716	Fitting , picketing, at nose undercarriage, group	1	-		GA.5
6133	Std.1996/7	Chain , 7" long	2	Brass	C.	5
95065	A.164139	Pennant	1	-	C.	GA.2
-	Aerolex F.48/7/830	Pin , quick release (use 28FP/638)	1	-	-	
9137	-	Ring , split type, 1" dia.	2	Comml.	C.	
95309	A.204865	Piece , distance, for use at front fuselage attachment nuts	1	M.S.B.	C.	GA.8
	C.231753	PIPE, DE-FUELLING EQUIPMENT, FOR "WHEELS UP," ASSEMBLY (AS.770/15)	-	-		
95797	C.231754	Pipe , group (AS.770/15)	1	-	B.	GA.7
	B.207509	Handle , for coupling	1	Comml.		
	F.209903	Nut , special	4	M.S.		
	A.231679	Pipe (AS.770/15)	1	-		
	C.207508	Pipe , defuelling	1	-		
	Avica 1/12/72/AA	Pipe , flexible, 1½"	1	-		
	Flight Refuelling C.0724000/1	Valve , coupling, refuelling (alternative to FC.110)	1	-		
27F/2227	Avery Hardoll FC.110 Mk. 2	Valve , coupling, refuelling group (alternative to C.0724000/1)	1	-	A.	
95046	B.191737	Rail , for engine, between frames 34 and 37, group	1	-	B.	GA.6
6133	Std.1996/7	Chain , 7" long	1	Brass	C.	5
	Std.1996/14	Chain	1	Brass		
	F.199939	Label	1	-		
-	Aerolex F.48/7/514	Pin , quick release (use 28FP/19)	1	-	-	
	B.191737/3	Plate , indicator	1	Comml. M.S.B.		
	B.191737/1	Ring , retaining adjustable stop	1	Comml.		
9137	-	Ring , split type, 1" dia.	4	M.S. Wire	C.	
9378	B.176010	Stop , adjustable	1	S.95.B	B.	GA.6
5P/2908	-	Rectifier , metal transportable, type 37	1	-	A.	

EQUIPMENT-ANCILLARY

Ref. No.	Part No.	Description	No. Off					Material Specification	M.R. Class of Store	Place No.
			1	2	3	4	5			
95029	C.191636	Sleeve , locking, for main undercarriage, group ...		2				—	B.	GA.7
6133	Std.1996/7	Chain , 7" long ...		1				Brass	C.	5
95721	F.191640	Eye-bolt ...		2				M.S.	C.	
	F.191638	Flange ...		1				M.S.		
95072	A.193720	Pennant ...		1				—	C.	GA.7
9136	—	Ring , split type, 3/4" dia. ...		2				Steel	C.	
	F.191639	Shim ...		4				M.S.		
95011	D.188575	Sling , lifting, for complete aircraft, group ...		1				—	B.	GA.2
95070	F.188573	Bolt , fork, for attachment of sling to aircraft ...		4				S.95.B	C.	GA.2
95074	A.188570	Bolt , fork, for attaching spreader strut to link ...		4				S.95.B	C.	GA.2
	D.188575/1	Cable , 100/110 ton ...		4				BS.302		
	B.188566	Link , between spreader strut and aircraft attachment bolt		4				Stpg.		
	A.188726	Link , slinging, group ...		1				—		
	F.187729	Pin ...		2				S.94.B		
	F.187728	Roller ...		1				S.1		
9137	—	Ring , split type, 1" dia. ...		1				Steel	C.	
	A.188572	Shackle , at sling to spreader strut attachment ...		4				Stpg.		
	B.188565	Shackle , at sling to top link attachment ...		2				Stpg.		
	B.188567	Strut , spreader, front and rear, group ...		2				—		
6133	Std.1996/7	Chain , 7" long ...		2				Brass	C.	5
—	Aerolex	Pin , quick release (use 28FP/625) ...		2				—	—	
9136	—	Ring , split type, 3/4" dia. ...		4				—	C.	
	B.188568	Strut , spreader, side ...		2				—		
	Std.1676	Tally ...		1				—		
95369	D.206951	Sling , salvaging (Fuselage only less engine) (Pre Mod. 1030) ...		1				—	B.	
95877	E.248990	Sling , salvaging (Fuselage only less engine), S.O.O. (Mod. 1030) ...		1				—	B.	GA.6
95070	F.188573	Bolt , fork, for attachment sling to aircraft ...		2				S.95.B	C.	GA.2
	D.206951/1	Cable , rear ...		2				BS.302		
	D.206951/2	Cable , forward ...		2				BS.302		
	F.200603	Label ...		1				Brass		
	B.200600	Link , forward (Pre Mod. 1030) ...		2				—		
	B.248992	Link , forward (Mod. 1030) ...		2				—		
	B.207066	Link , rear (Pre Mod. 1130) ...		2				—		
	B.253320	Link , rear (Mod. 1030) ...		2				—		
	A.207187	Link , slinging, group ...		1				—		
	F.187729	Pin ...		2				S.94.B		
	F.187728	Roller ...		1				S.1		
	F.200668	Piece , distance (AS.860/34) ...		4				—		
9138	—	Ring , split type, 1 1/4" dia. ...		2				—	C.	
	B.194418	Shackle , at sling to top link attachment ...		2				Stmpg.		
	B.207178	Shackle (Pre Mod. 1030) ...		1				Stmpg.		
	B.250173	Shackle , rear, starboard (Mod. 1030) ...		1				Stmpg.		
	B.207179	Shackle (Pre Mod. 1030) ...		1				Stmpg.		
	B.250174	Shackle , rear, port (Mod. 1030) ...		1				Stmpg.		
	B.207180	Shackle (Pre Mod. 1030) ...		1				Stmpg.		
	B.250175	Shackle , front, starboard (Mod. 1030) ...		1				Stmpg.		
	B.207181	Shackle (Pre Mod. 1030) ...		1				Stmpg.		
	B.250176	Shackle , front, port (Mod. 1030) ...		1				Stmpg.		
	A.200602	Spigot (Pre Mod. 1030) ...		2				—		
	A.248993	Spigot (Mod. 1030) ...		2				—		
	B.200594	Strut , spreader side (Pre Mod. 1030) ...		2				—		
	B.248991	Strut , spreader side (Mod. 1030) ...		2				—		
	A.200598	Strut , forward ...		1				—		
	A.200599	Strut , rear ...		1				—		
	Std.1676	Tally ...		1				—		

EQUIPMENT-ANCILLARY

Ref. No.	Part No.	Description	No. Off	Material Specification	M.R. Class of Store	Plate No.
95370	D.206952	Sling, for salvaging (Fuselage only with engine), group (S.O.O.)	1	—	B.	GA.2
95070	F.188573	Bolt, fork, for attaching sling to aircraft ...	4	S.95.B	C.	GA.2
95074	A.188570	Bolt, fork, for attaching spreader strut to link ...	4	S.96.B	C.	GA.2
	D.206952/1	Cable, forward ...	2	BS.302		
	D.206952/2	Cable, rear ...	2	BS.302		
	F.194575	Label ...	1	Brass		
	B.188566	Link, between spreader strut and aircraft attachment bolts	2	—		
	A.194422	Link, slinging, group ...	1	—		
	F.187729	Pin ...	2	S.94.B		
	F.187728	Roller ...	1	S.1		
	F.194423	Piece, distance ...	2	M.S.		
	F.194424	Piece, distance ...	2	M.S.		
	F.194425	Piece, distance ...	2	M.S.		
9138	—	Ring, split type, 1 1/4" dia. ...	2	Steel	C.	
	B.194418	Shackle, at sling, to top link attachment ...	2	Stmpg.		
	A.207182	Shackle, at sling, for spreader strut attachment rear	2	Stmpg.		
	A.207183	Shackle, at sling, for spreader strut attachment, forward	2	Stmpg.		
	B.188567	Strut, spreader, front and rear, group ...	2	—		
6133	Std.1996/7	Chain, 7" long ...	2	Brass	C.	5
—	Aerolex F.48/813	Pin, quick release (use 28FP/625) ...	2	—	—	
9136	—	Ring, split type, 3/4" dia. ...	4	Steel	C.	
	B.188568	Strut, spreader, side ...	2	—		
95610	D.222260	Sling, lifting, for windscreen, group ...	1	—	B.	GA.10
	D.222261	Bracket ...	1	S.95.B		
	D.222260/1	Cable, forward, 80-90 ton ...	1	BS.302		
	D.222260/2	Cable, rear, 80-90 ton ...	2	BS.302		
	Std.1996/6	Chain ...	3	Brass		
	F.222262	Eye-bolt ...	2	S.95.B		
—	Aerolex F.48/7/815	Pin, quick release (Use 28FP/41) ...	3	—	—	
	—	Ring, split type, 1/2" dia. ...	4	Steel		
	—	Shackle, 10 cwt., small DEE. ...	3	BSS.25		
	C.220362	SLINGING AND TRESTLING, FRONT FUSELAGE, ASSEMBLY	—	—		
95614	C.220363	Beam, at rear trestle, group ...	1	—	B.	GA.1
6133	Std.1996/7	Chain, 7" long ...	6	Brass	C.	5
95812	F.220356	Eye-bolt ...	2	S.1	C.	GA.1
	F.221280	Hook ...	1	M.S.		
	F.221281	Hook ...	1	M.S.		
	A.230751	Lever ...	4	S.1		
	F.221241	Pin ...	2	BSS.250.B		
—	Aerolex F.48/7/513	Pin, quick release (Use 28FP/18) ...	4	—	—	
9136	—	Ring, split type, 3/4" dia. ...	8	Steel	C.	
95052	A.189921	Clip, at nose wheel leg ...	2	S.3 & L.16	C.	GA.1
95613	C.220364	Cradle, front, group ...	1	—	B.	GA.1
	Std.1996/6	Chain ...	5	Brass		5
95812	F.220356	Eye-bolt ...	2	S.2	C.	
	A.230751	Lever ...	4	S.1		
—	Aerolex F.48/7/513	Pin, quick release (use 28FP/18) ...	4	—	—	
—	Aerolex F.48/7/609	Pin, quick release (use 28FP/24) ...	1	—	—	
9136	—	Ring, split type, 3/4" dia. ...	5	Steel	C.	

EQUIPMENT-ANCILLARY

Ref. No.	Part No.	Description	No. Off	Material Specification	M.R. Class of Store	Place No.
95611	A.230750	Link, at nose wheel leg	1	S.1 & S.3	B.	GA.1
	C.220365	Sling, lifting, group	1	—		GA.1
	C.220365/1	Cable, forward, top portion, 110-120 ton ...	2	BS.302		
	C.220365/2	Cable, rear, top portion	2	BS.302		
	C.220365/3	Cable, forward, bottom portion, 110-120 ton ...	2	BS.302		
	C.220365/4	Cable, rear, bottom portion, 110-120 ton ...	2	BS.302		
	F.220358	Piece, distance	8	S.1		
	F.220357	Plate, link	8	S.3		
	B.220359	Ring, lifting	1	S.92.B		
	B.220360	Strut, forward, group	2	—		
95615	B.220361	Strut, bracing, between front and rear trestle, group	2	—	B.	GA.1
	Std.1996/6	Chain	2	Brass		
—	Aerolex	Pin, quick release (use 28FP/640)	2	—	—	—
—	F.48/7/1023					
9136	—	Ring, split type, 3/4" dia.	2	Steel	C.	—
4GB/	—	Trestle, U.J. No. 1	2	—	A.	—
	B.190381	SLINGING AND TRESTLING, CENTRE FUSELAGE, ASSEMBLY	—	—		
95020	C.190377	Cradle, group	2	—	B.	GA.1
6133	Std.1996/7	Chain, 7" long	4	Brass	C.	5
—	F.180683	Lever	4	S.1	—	—
—	Aerolex	Pin, quick release (use 28FP/18)	4	—	—	—
—	F.48/7/513					
9136	—	Ring, split type, 3/4" dia.	4	Steel	C.	—
95049	C.190378	Sling, lifting, group	1	—	B.	GA.1
	C.190378/1	Cable, aft, 100-110 ton	1	BS.302		
	C.190378/2	Cable, forward, 100-110 ton	1	BS.302		
	F.190386	Plate, link	4	M.S.		
	B.190380	Plate, link, group	4	—		
6133	Std.1996/7	Chain, 7" long	1	Brass	C.	5
—	Aerolex	Pin, quick release (use 28FP/625)	1	—	—	—
—	F.48/7/813					
9136	—	Ring, split type, 3/4" dia.	1	Steel	C.	—
	F.190384	Pin, forked	2	S.1		
	F.186238	Ring, lifting	1	S.92.B		
	B.190379	Strut, upper, group	1	—		
	A.190383	Strut, lower, group	2	—		
4GB/	—	Trestle, U.J., No. 1	2	—	A.	—
	C.207184	SLINGING AND TRESTLING, REAR FUSELAGE (WITHOUT TAIL UNIT), ASSEMBLY	—	—		
95041	C.190878	Cradle, front, group	1	—	B.	GA.1
6133	Std.1996/7	Chain, 7" long	4	Brass	C.	5
95512	F.180694	Eye-bolt	2	S.1	C.	—
—	F.180683	Lever	4	S.1	—	—
—	Aerolex	Pin, quick release (use 28FP/18)	4	—	—	—
—	F.48/7/513					
9136	—	Ring, split type, 3/4" dia.	4	Steel	C.	—

EQUIPMENT-ANCILLARY

Ref. No.	Part No.	Description					No. Off	Material Specification	M.R. Class of Store	Plate No.
		1	2	3	4	5				
95077	D.200062/16						4	M.S.		
	D.189637						4	S.21.B		
	D.189638						2	S.21.B	C.	GA.1
95078	Dunlop						2	—	B.	GA.1
	WDM.564									
	D.200062/11						2	M.S.		
	B.200212						1	—		
	C.200058/1						6	—		
	C.200058/2						2	—		
	C.200060						1	—		
	B.200059						2	—		
	D.200061						1	—		
2A/9500503	Skefco 08						2	—	B.	
	D.189642						2	Bronze		
	D.200062/2						2	Bronze		
95868	C.189645						1	—	B.	
	C.189645/2						1	BSS.369		
	BS.968/1938						2	M.S.		
	C.189645/5						1	M.S.		
95076	C.189645/1						1	M.S.	C.	GA.1
	D.200061/16						4	M.S.		
	D.189637						4	S.21.B		
95077	D.189638						2	S.21.B	C.	GA.1
95078	Dunlop						2	—	B.	GA.1
	WDM.564									
	D.200062/11						2	M.S.		
	F.200236						4	M.S.		
8601	C.190463						1	—	C.	GA.1
	A.179741						1	—		
	F.179739						1	S.1		
	A.179741/1						1	S.1		
	A.200232						2	—		
95014	C.188900						1	—	B.	GA.2
	C.188900/1						1	BS.302		
	C.188900/2						1	BS.302		
	C.188900/4						1	BS.302		
6133	Std.1996/7						3	Brass	C.	
95075	F.188901						3	S.95.B	C.	GA.1
—	Aerolex						3	—	—	
	F.48/7/1017									
9138	—						3	Steel	C.	
	F.186238						1	S.92.B		
	C.188900/3						3	BS.825		
95222	C.199388						1	—	B.	GA.2
	C.199388/1						4	BS.302		
	C.199388/2						4	—		
	B.189219						1	S.92.B		
	A.199389						4	—		
	F.199390						4	—		
95016	B.190526						1	—	B.	GA.2
	B.190526/1						2	BS.302		
6133	Std.1996/7						4	Brass	C.	5

EQUIPMENT—ANCILLARY

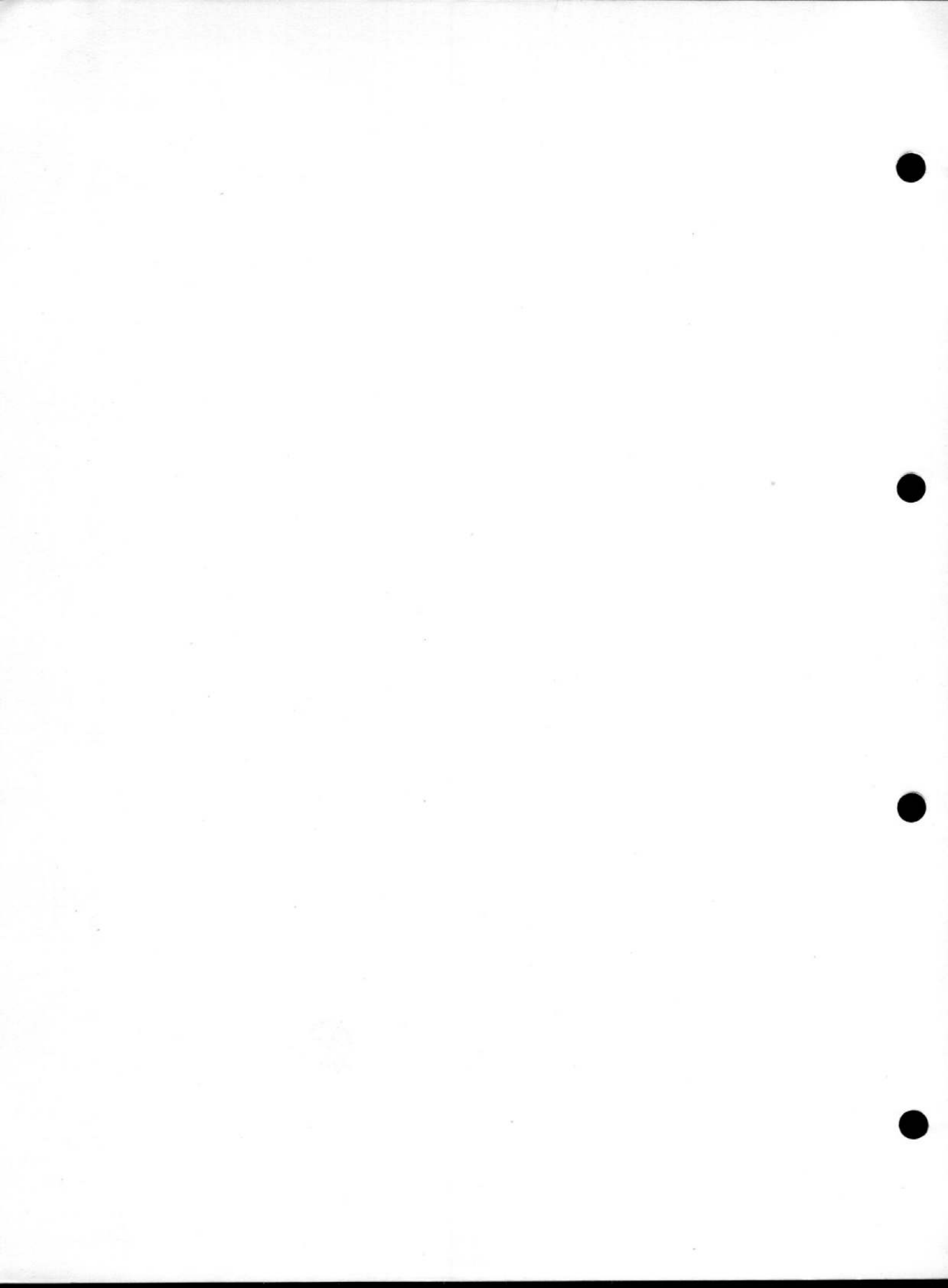
Ref. No.	Part No.	Description	No. Off	Material Specification	M.R. Class of Store	Plate No.
95520	F.190527	Pin	1	H.T.S.	C.	
95519	F.199873	Pin	1	—	C.	
—	Aerolex F.48/7/612	Pin, quick release (use 28FP/26)	2	—	—	
	F.180478	Ring, lifting	1	S.92.B		
9138	—	Ring, split type, 1 1/4" dia.	2	Steel	C.	
4G/5377	—	Sling, for "Avon" engine	1	—	A.	
95720	B.229927	Sling, hood	1	—	B.	GA.10
95037	A.194634	Spanner, for Dunlop brake, adjustment	1	Comml.	B.	GA.3
95311	A.209612	Spanner, for flap hinge bolts	1	—	B.	GA.8
95228	Britool Z.4948	Spanner, for rear fuselage transport joint nuts	1	—	B.	
95085	A.194578	Spanner, for inverted flight valve connector	1	EN.33	B.	GA.3
95081	B.194717	Spanner, for refuelling valve, forward	1	T.26 & S.3	B.	GA.3
95645	B.224030	Spanner, crutching, for inboard and outboard pylons	1	—	B.	GA.3
95226	A.201955	Spanner, special, for main fuel delivery joint	1	EN.33	B.	GA.8
95163	A.197766	Spanner, for hydraulic system, .605" — .610" A/F	1	S.21 & S.3	B.	GA.3
95165	A.197767	Spanner, for hydraulic system, .852" — .830" A/F	1	S.21 & S.3	B.	GA.3
95166	A.197768	Spanner, for hydraulic system, 1.015" — 1.020" A/F... ..	1	S.21 & S.3	B.	GA.3
95706	A.222402	Spanner, for gun installation	1	S.3	B.	GA.3
95715	A.227530	Spanner, dial, for aileron booster unit adjustment (Mod. 703)	1	—	B.	GA.4
95164	F.199124	Spanner, for hydraulic system	1	—	B.	GA.3
95304	F.199406	Spanner, for elevator outer hinge, .925" A/F	1	M.S.	B.	GA.8
95305	F.199407	Spanner, for elevator outer hinge, .715" A/F... ..	1	M.S.	B.	GA.8
95308	B.204866	Spanner, for front fuselage attachment nuts	1	Steel	B.	GA.8
95425	A.190295	Spanner, for fuel system	1	Comml.	B.	GA.8
95503	B.209815	Spanner, wing fuel system	1	EN.33	B.	GA.8
95504	B.209816	Spanner, wing, fuel system	1	EN.33	B.	GA.8
95143	F.198704	Spigot, levelling, removable, group	2	—	B.	GA.3
6133	Std.1996/7	Chain, 7" long	1	Brass	C.	5
95065	A.164139	Pennant	1	—	C.	GA.2
9136	—	Ring, split type, 3/4" dia.	1	Steel	C.	
95234	B.199253	Strut, bracing, for gun and seat removal, group	1	—	B.	GA.4
	F.199257	Block, trunnion	1	S.1		
95799	F.199255	Bolt, fork	1	M.S.B.	C.	
	A.199254	Fork-end	1	S.1.B		
	F.199256	Pin, trunnion	1	M.S.B.		
95725	B.230207	Strut, jury, for hood, group	1	—	B.	GA.10
	F.230212	Block	1	M.S.		
	Std.1551/1/145	Bolt	1			
	F.230210	Fork-end	1	M.S.		
	F.230211	Fork-end	1	M.S.		
	F.230209	Hook	1	M.S.		
28FP/1336	Aviation Dev. A.515	Pip, pip	1	—	C.	
	A.230208	Strut	1	T.45		

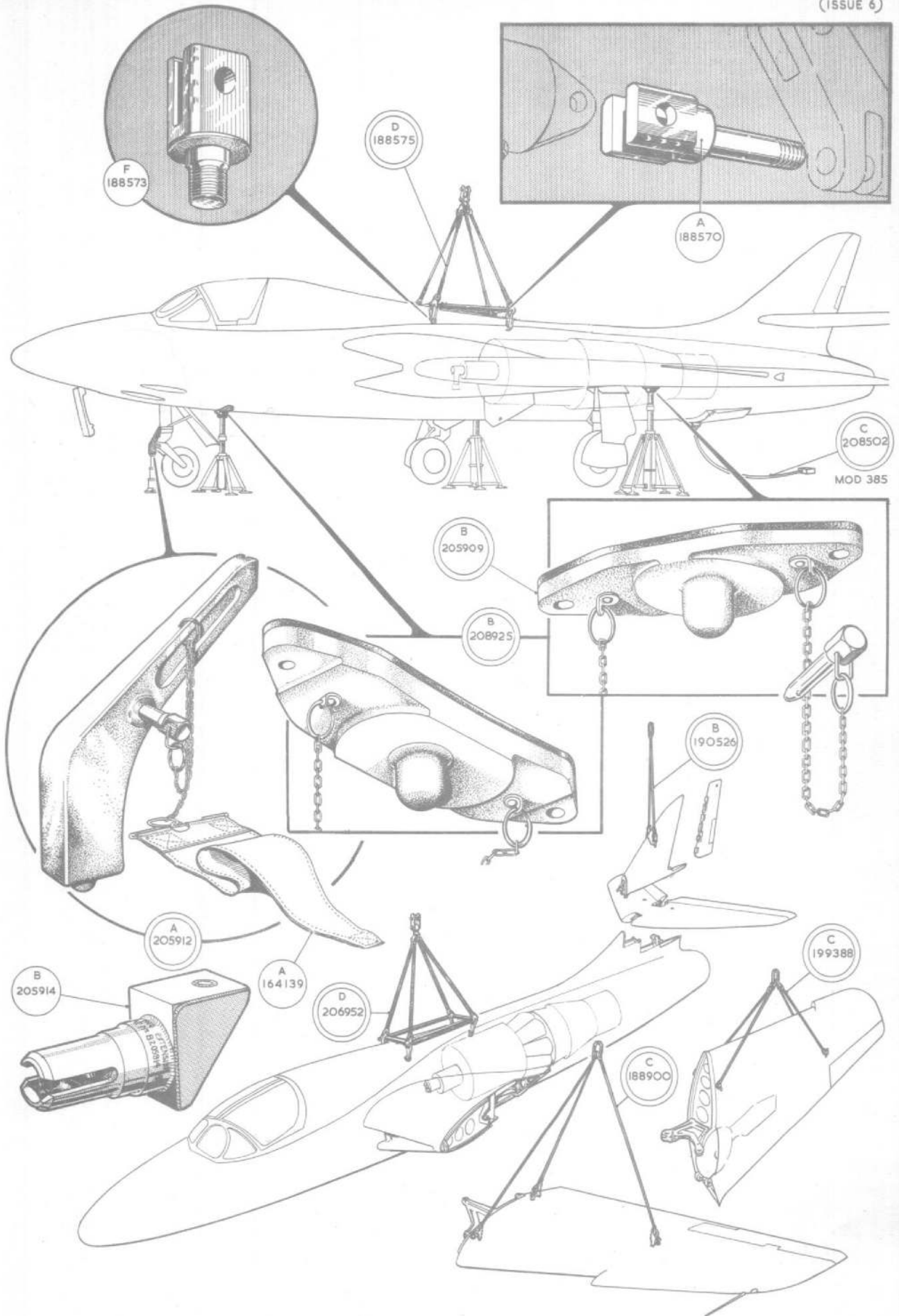
EQUIPMENT-ANCILLARY

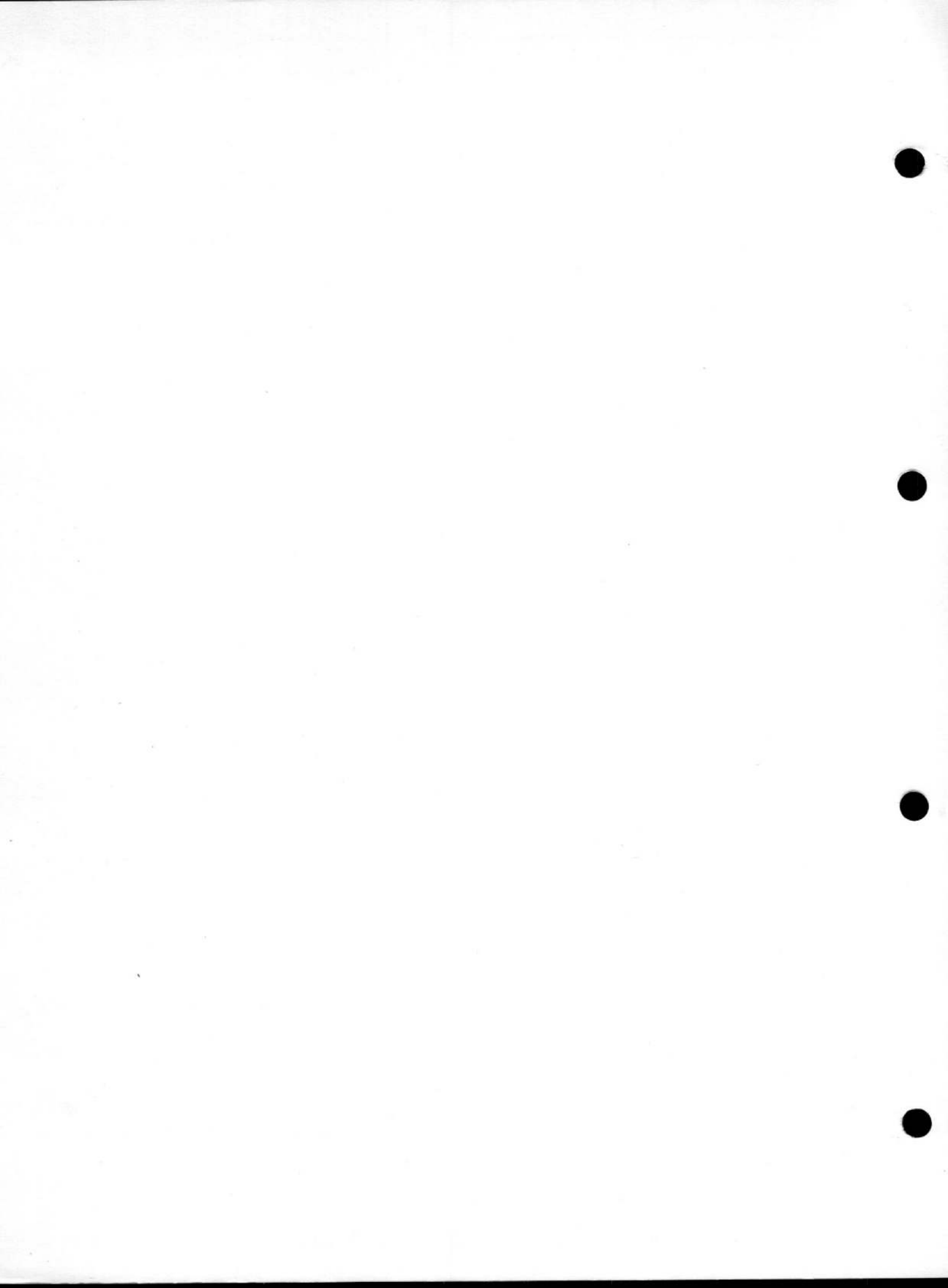
Ref. No.	Part No.	Description	No. Off	Material Specification	M.R. Class of Store	Plate No.
95427	C.208502	Test Equipment, for Fuel System, group (Mod. 385 S.O.O.)	1	—	B.	GA.2
1731	A.211191	Adaptor, for spine connection, group ...	1	—		
	F.193381	Ring, sealing ...	1	Rubber	C.	
	C.212514	Box, for test equipment ...	1	—		
	B.207700	Box, control, group ...	1	—		
	SK.342/1	Controller, 1V ...	1	—		
	Std.1371.C	Coupling ...	1	DTD.423		
	B.207700/1	Hose, 3/4" i/d. x 12 ft. long ...	1	—		
	F.207701	Nipple, special ...	1	L.65.C		
95723	BEN/SA.179	Plug, instantair ...	1	—	C.	
95757	A.207899	Bung, for forward vent pipe, group ...	1	—	B.	
	A.194466	Bolt ...	1	—		
	Std.1996/6	Chain ...	1	Brass		
95665	A.194464/1	Gland ...	1	—	C.	
	F.208459	Label ...	1	L.72		
9137	—	Ring, split type, 1" dia. ...	2	Steel	C.	
	F.194467	Ring, locking ...	1	—		
	A.207818	Cover, blanking, for refuelling pressure relief valve, group	2	—		
	Std.1996/6	Chain ...	1	Brass		
	A.207800	Clamp ...	1	M.S.		
	A.207817	Nut, wing ...	1	—		
	A.207818/2	Pennant ...	1	—		
	F.207793	Plunger, group ...	1	—		
27QA/5	Dowty S.P.597/9	Ring, seal ...	1	—	C.	
28R/17665	AS.4573/1	Ring, retaining ...	2	—	C.	
9137	—	Ring, split type, 1" dia. ...	2	Steel	C.	
95080	B.191654	Tool, for undercarriage up-lock ...	1	—	B.	GA.3
95223	B.200521	Tool, for assembly of transport joint spigot ...	1	—	B.	GA.8
95516	C.215976	Tool, for alignment of gun and barrel support, group	1	—	A.	GA.10
	C.215999	Barrel ...	1	M.S.		
	F.216000	Screw, special ...	3	EN.33		
	B.215997	Sleeve ...	1	EN.33		
	A.215998	Spigot ...	1	EN.33		
95557	B.215975	Tool, bearing rotation ...	1	M.S.	B.	GA.10
4Q/2618	—	Trestle, Mk. 1 ...	1	—	A.	
4Q/2620	—	Trestle, Mk. 3 ...	2	—	A.	
4GB/	—	Trestle, U.J., No. 6 ...	4	—	A.	
95045	E.189646	Trolley, removal, for engine unit (Pre Mod. GE.51)	1	—	A.	
95216	C.200213	Trolley, removal, for engine unit, group (Mod. GE.51)	1	—	A.	GA.6
	B.200212	Arm, towing ...	1	—		
	D.200198	Aft-end, group ...	1	—		
	D.189644	Collar, wheel attachment ...	2	M.S.		
95868	C.189645	Jack, screw, group ...	2	—	B.	
	C.189645/2	Bush ...	1	BSS.369		
	BS.768/1938	Grub-screw, 2 BA x 0.38" long ...	2	M.S.B.		
	C.189645/5	Nut ...	1	M.S.B.		
95076	C.189645/1	Shaft, screwed ...	1	M.S.B.	C.	GA.1
	D.200198/16	Nut, wheel attachment ...	2	M.S.		
95079	D.189643	Spindle, for wheel ...	2	S.21.B	B.	GA.6
95078	Dunlop	Wheel, complete with solid tyre ...	2	—	B.	GA.1
	WDM.564					

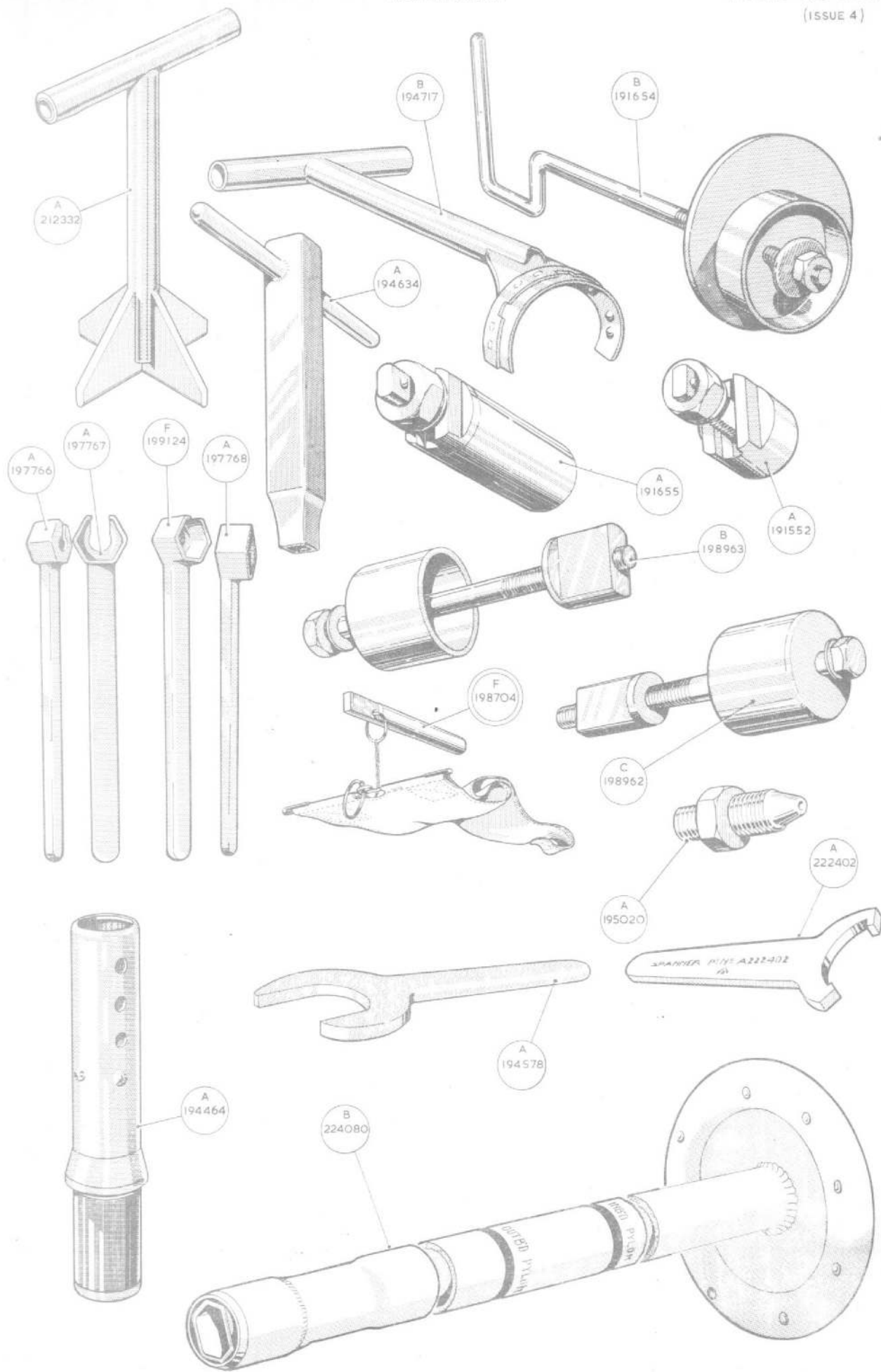
EQUIPMENT-ANCILLARY

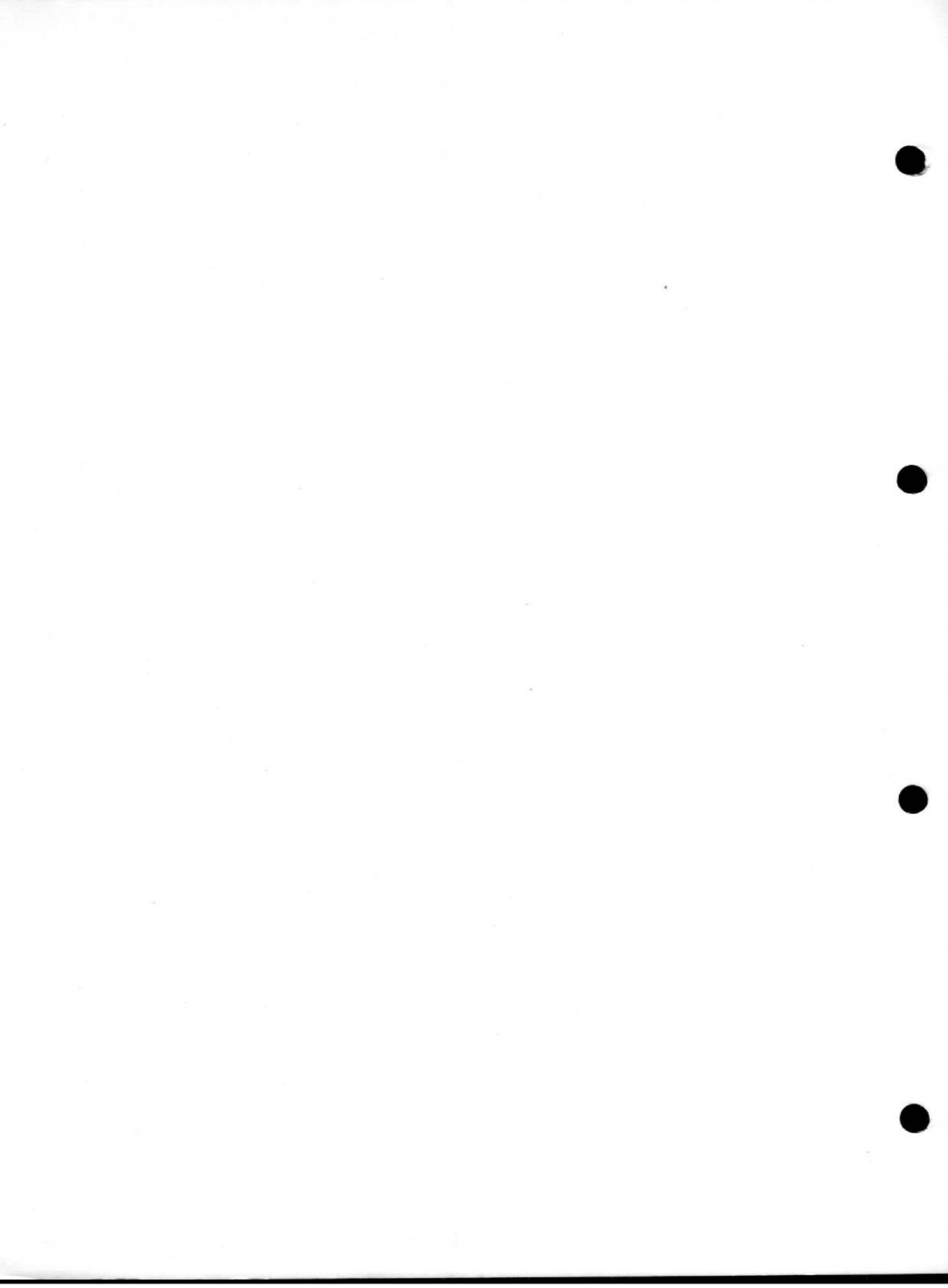
Ref. No.	Part No.	Description	No. Off					Material Specification	M.R. Class of Store	Plate No.
			1	2	3	4	5			
	C.200058/1	Bolt, attaching side frames ...					6	M.S.		
	C.200058/2	Bolt, attaching side frames ...					2	M.S.		
	B.200191	Frame, centre ...					1	—		
	B.200188	Frame, side ...					2	—		
	D.200197	Forward end, group ...					1	—		
2A/9500503	Skefco 08	Bearing, thrust race (AS.770/8) ...					2	—	B.	
	D.189642	Bush, for castor fork spindle ...					2	Bronze		
95868	C.189645	Jack, screw, group ...					2	—	B.	
	C.189645/2	Bush ...					1	BSS.369		
	BS.768/1938	Grub-screw, 2 B.A. 0.33" long ...					2	M.S.B.		
	C.189645/5	Nut ...					1	M.S.B.		
95076	C.189645/1	Shaft, screwed ...					1	M.S.B.	C.	
	D.200197/12	Nut, wheel attachment ...					4	M.S.		
	D.189637	Piece, distance, for wheel spindle ...					4	S.21.B		
95077	D.189638	Spindle ...					2	S.21.B	B.	GA.1
95078	Dunlop WDM.564	Wheel, complete with solid tyre ...					2	—	B.	
	F.200238	Lug, for tie bar... ..					2	M.S.		
	F.200237	Lug, for tie bar... ..					2	M.S.		
	D.200210	Rail, group ...					1	—		
	F.196530	Bolt, at lower rail ...					1	S.95.B		
95876	D.200210/16	Bolt, special ...					2	M.S.	C.	
	Std.1996/12	Chain ...					2	Brass		
	F.196531	Nut, at lower rail ...					1	S.95.B		
—	Aerolex F.48/7/817	Pin, pip (use 28FP/42) ...					1	—		
9136	—	Ring, split type, 3/4" dia. ...					2	Steel	C.	
	D.200210/19	Tommy-bar ...					2	M.S.		
	A.200233	Tie-bar ...					2	—		
95770	E.229359	Trolley, drop tank handling, group (Mod. 894) ...					1	—	A.	
95813	B.231705	Arm, towing ...					1	—	B.	
95818	A.236313	Bar, tow ...					1	M.S.P.	C.	
2A/9500507	S.F.L./1 1/2	Bearing, thrust ...					2	—	B.	
	E.229359/1	Bolt, tie ...					4	M.S. Bar		
	C.236263	Cradle, inboard (For use with 100 gal. drop tank) ...					2	—		
	C.236264	Cradle, outboard (For use with 100 gal. drop tank) ...					2	—		
95824	C.231702	Fork, forward ...					2	—		
95815	C.236626	Handle, jack operating, forward ...					2	—	B.	
95816	C.236627	Handle, jack operating, aft ...					1	—	B.	
95817	B.233333	Jack (Make from Lake and Elliott jack type S.414-20428) ...					3	—	A.	
	D.189641	Link, towing ...					1	—		
	E.231700	MAIN FRAME, ASSEMBLY ...					—	—		
95814	F.231715	Bush, at forward end of frame ...					4	BSS.369	C.	
	F.249007	Roller, for jack (Mod. 6B1008) ...					1	M.S.		
95819	A.235425	Strap, with buckle ...					2	—	C.	
95820	A.235426	Strap ...					2	—	C.	
	F.233326	Trunnion, at jacks ...					2	M.S.		
95821	F.235690	Washer ...					2	M.S. Plate	C.	
	F.235291	Washer, taper for jack attachments ...					12	M.S. Bar		
95822	Flexello	Wheel, caster ...					2	—	B.	
	KV.8RXBSP									
95823	Flexello	Wheel, fitted, complete with bolt ...					2	—	B.	
	Rex.8RB.SP									
4F/1714	—	Trolley, pressure, cabin testing, Mk. 1C ...					1	—	A.	
4F/1685	—	Trolley, hydraulic, Mk. 2 ...					1	—	A.	
4F/1690	—	Trolley, E/L, servicing and testing, Mk. 1A ...					1	—	A.	
4G/4220	—	Trolley, oxygen charging, Mk. 2 ...					1	—	A.	
4G/4221	—	Trolley, charging H.P. air, Mk. 2 ...					1	—	A.	
4G/	—	Trolley, for radar, cooling and testing... ..					1	—	A.	
4G/4858	—	Trolley, E.C.U. servicing ...					1	—	A.	
—	B.214055	WEATHER COVERS, ASSEMBLY ... (Refer to AP.1086, Section 27D/)					—	—	—	

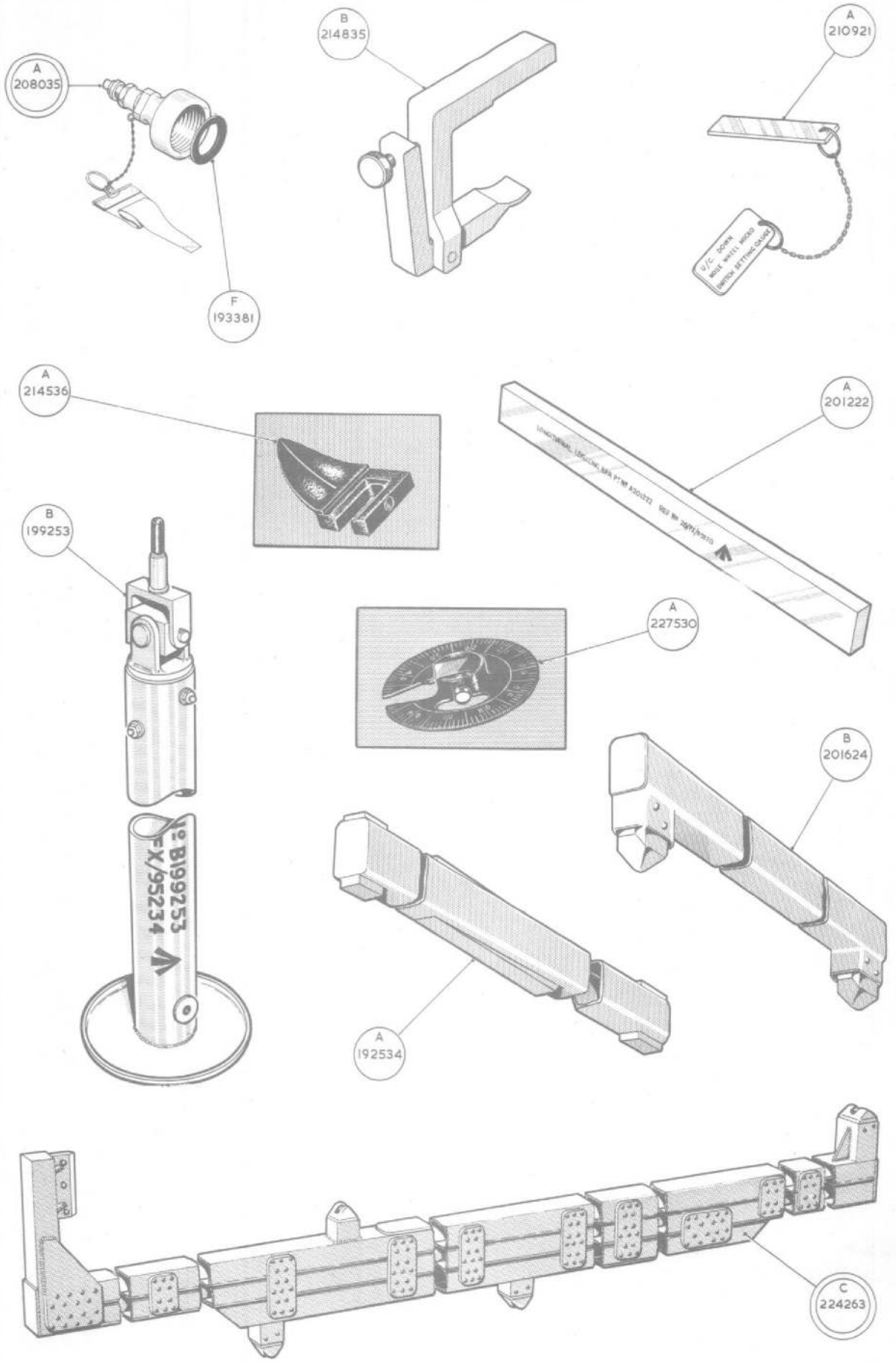


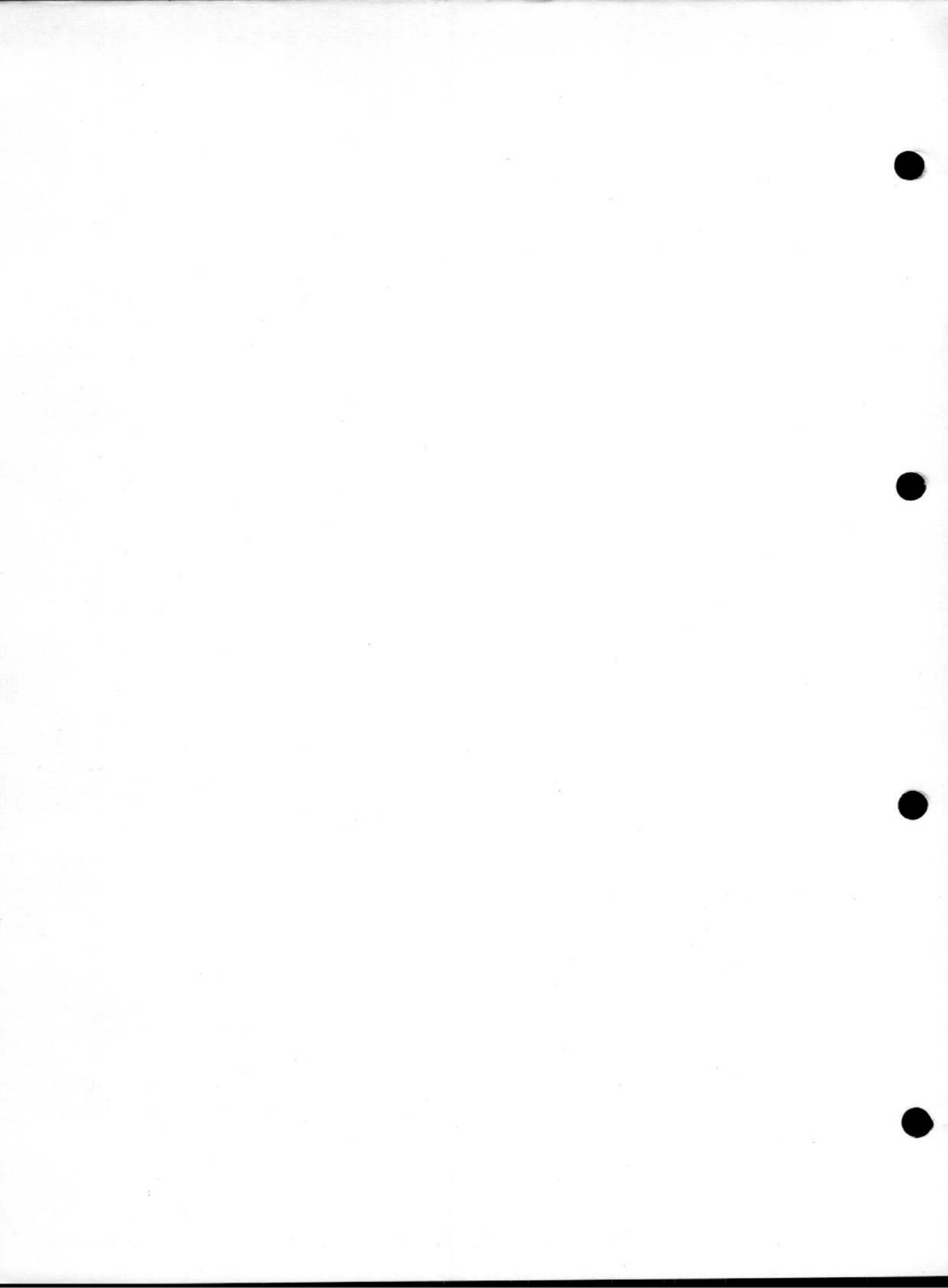


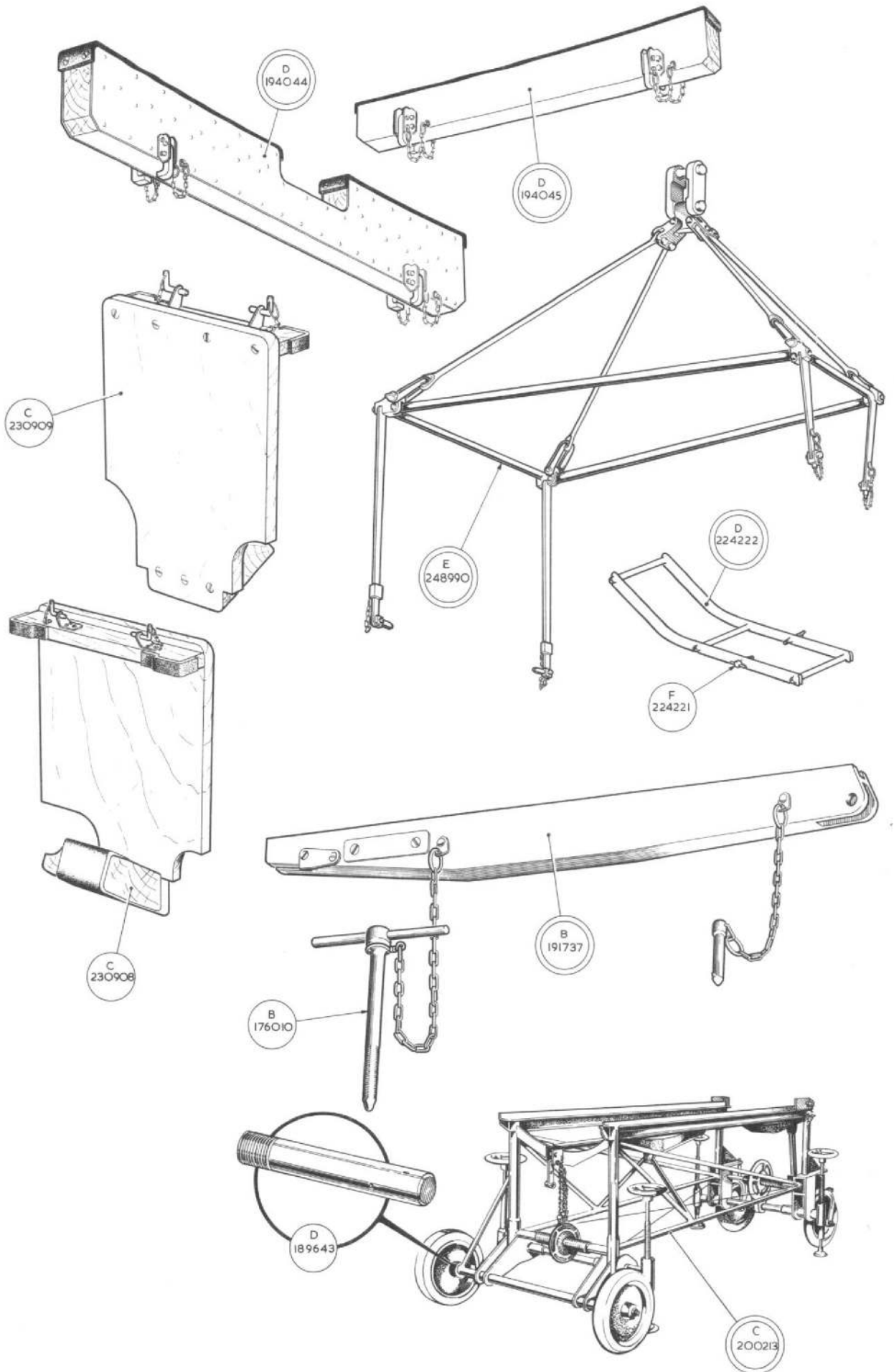




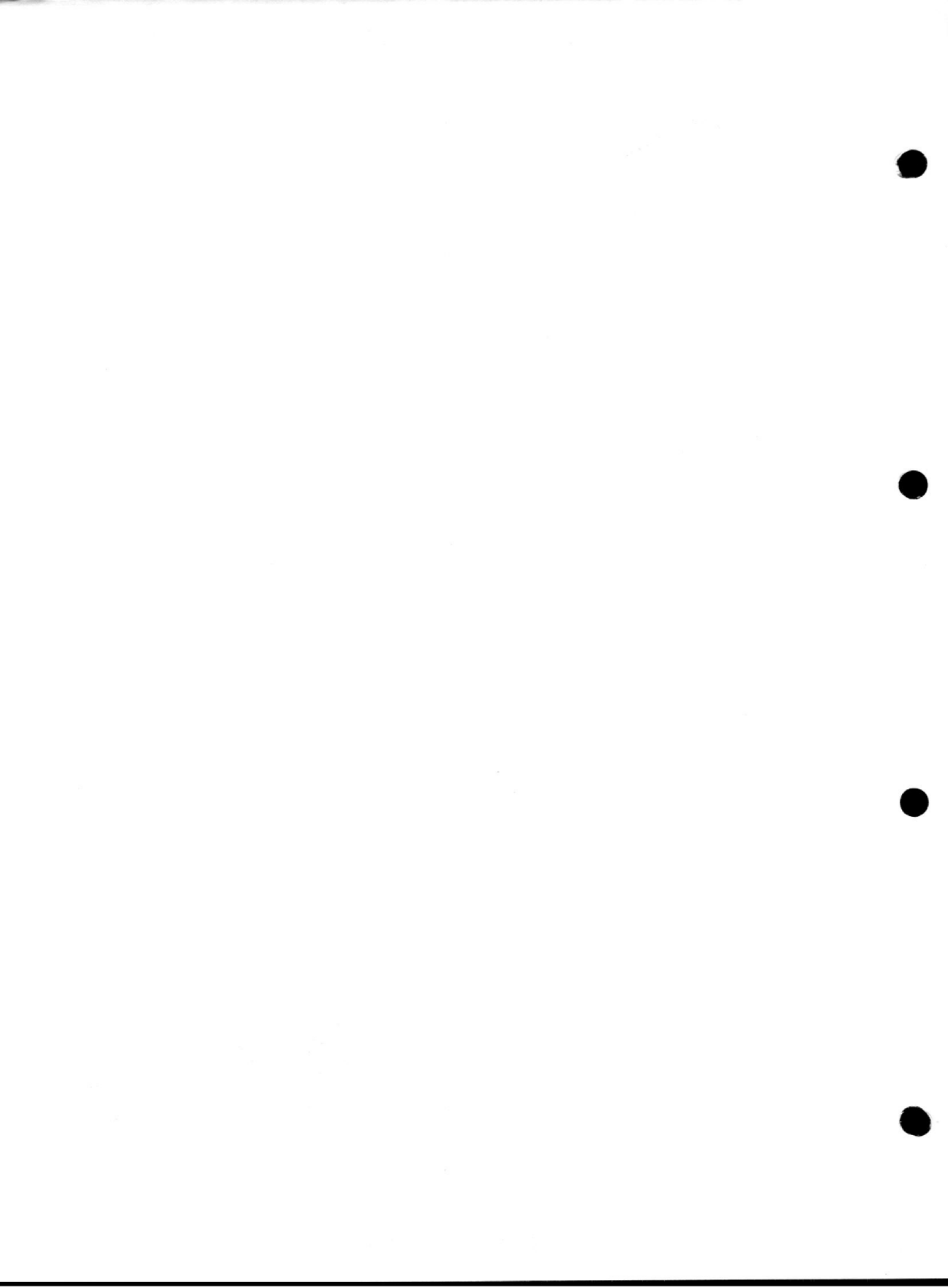


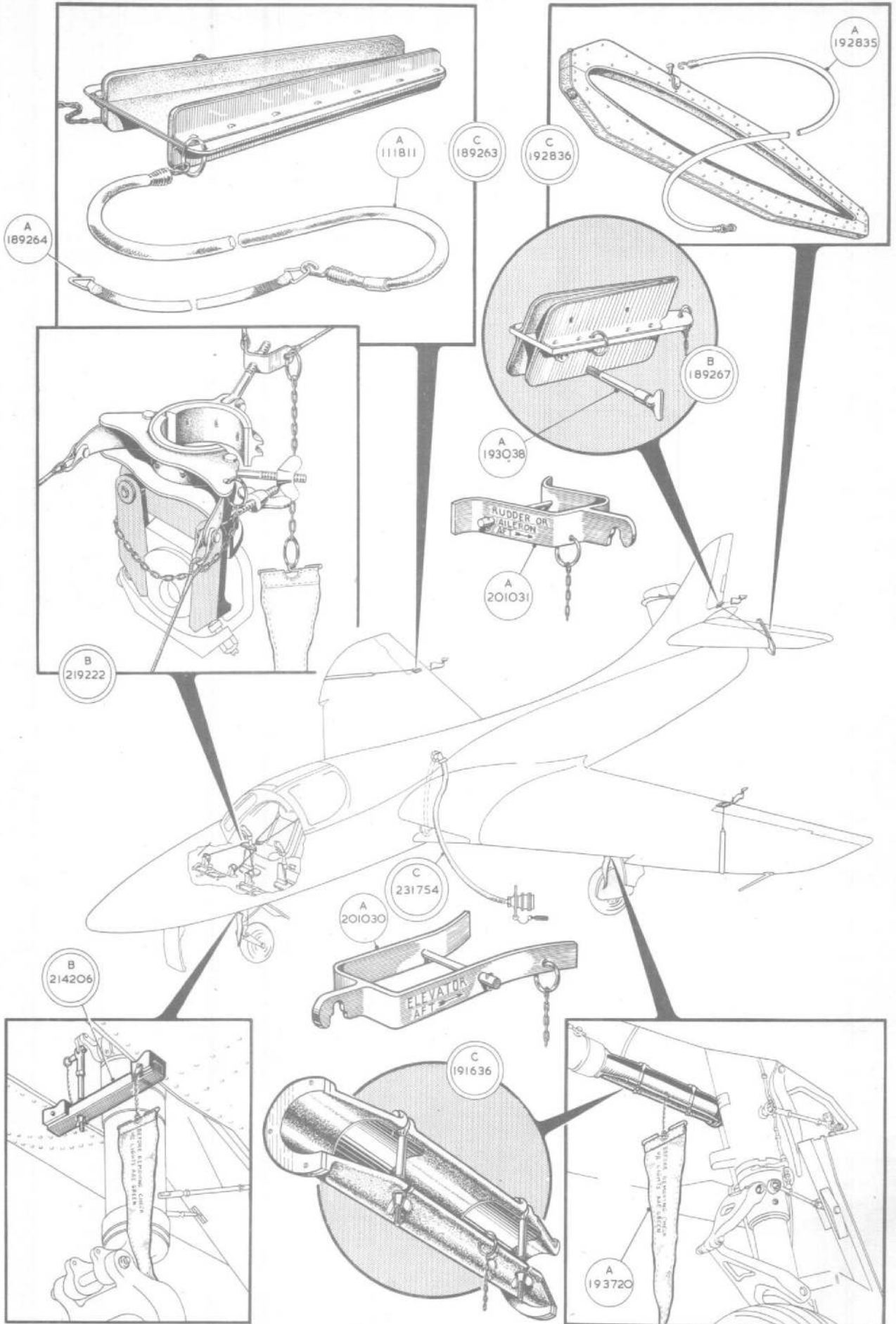


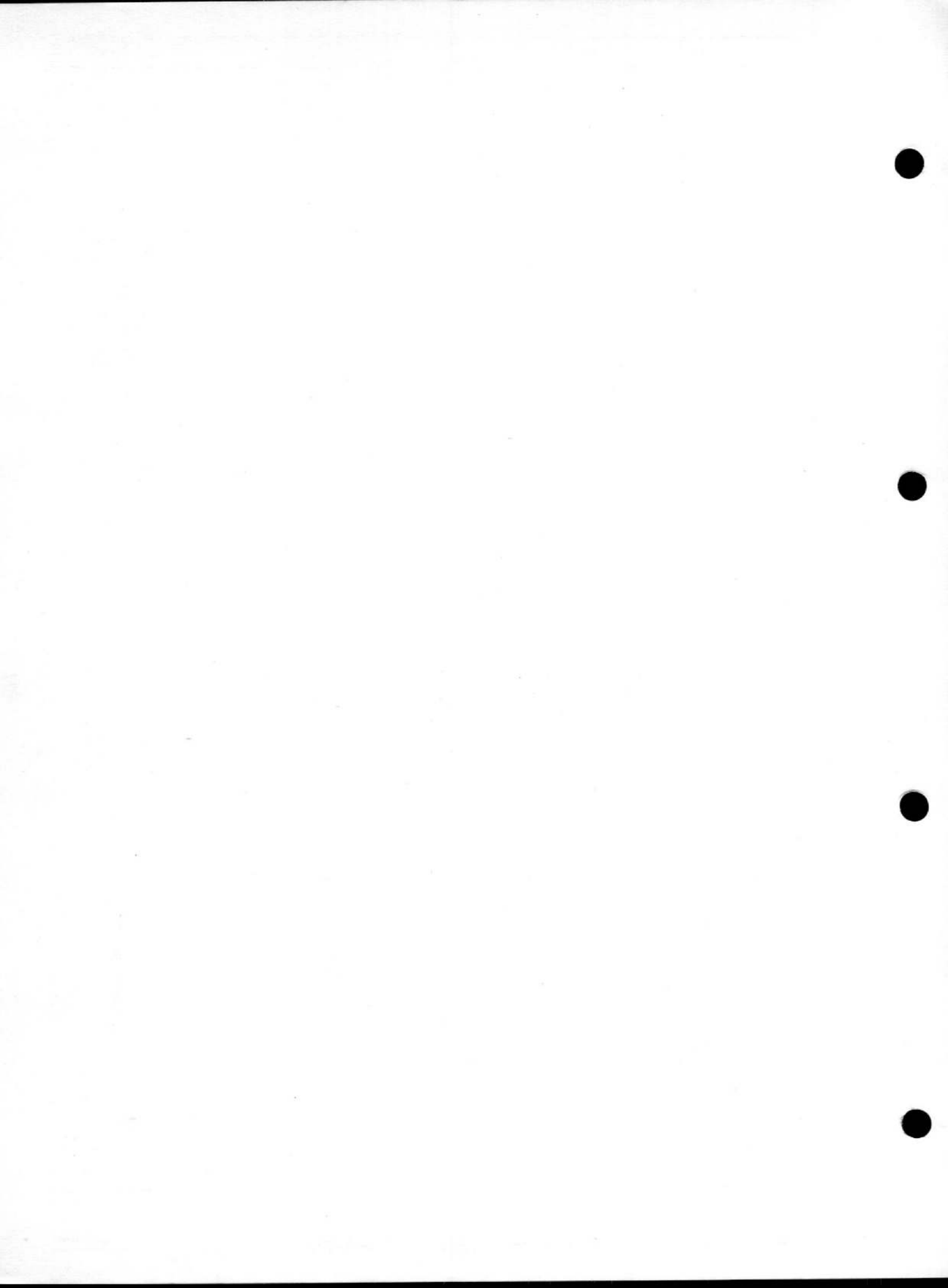


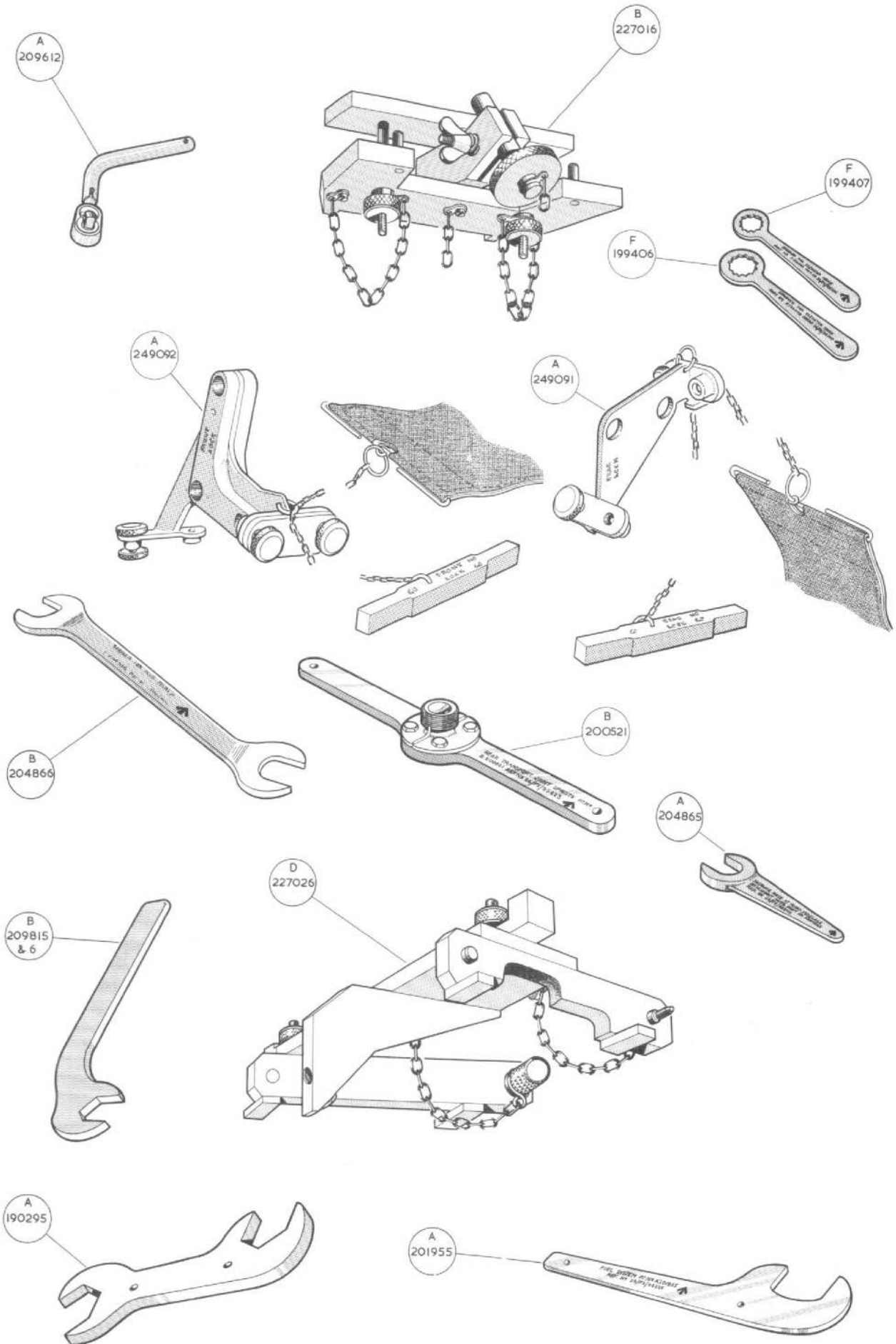


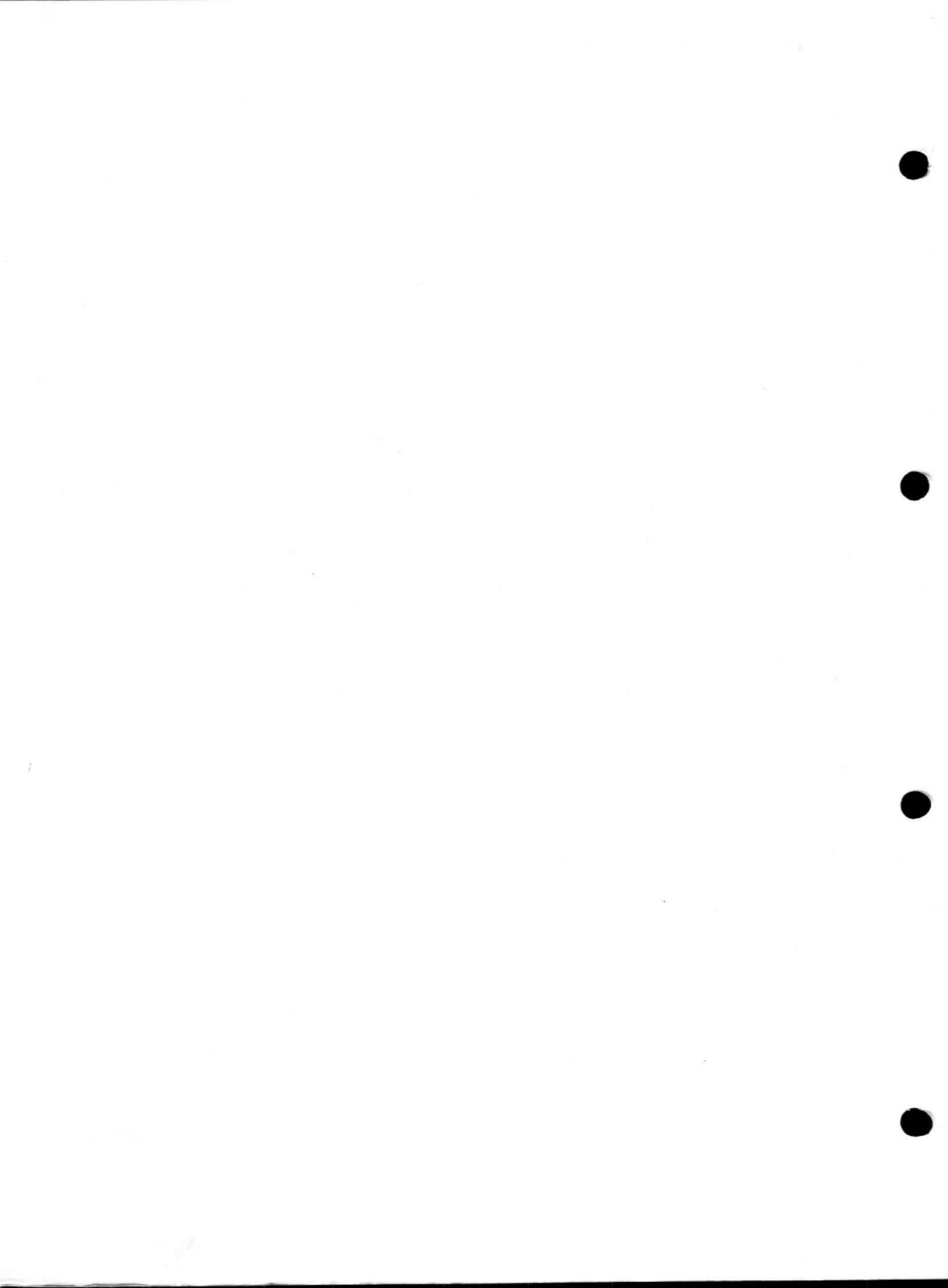
ANCILLARY EQUIPMENT

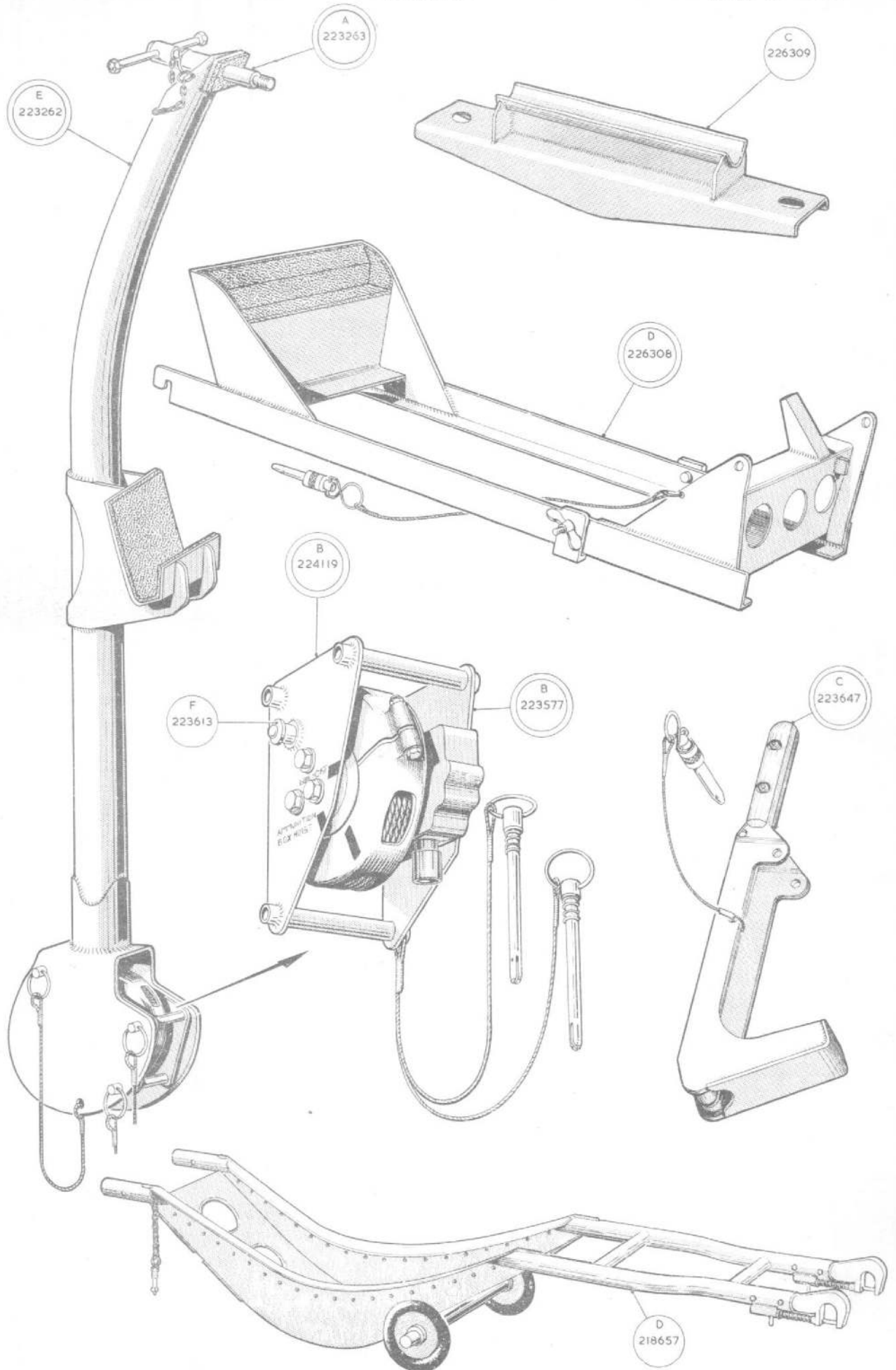




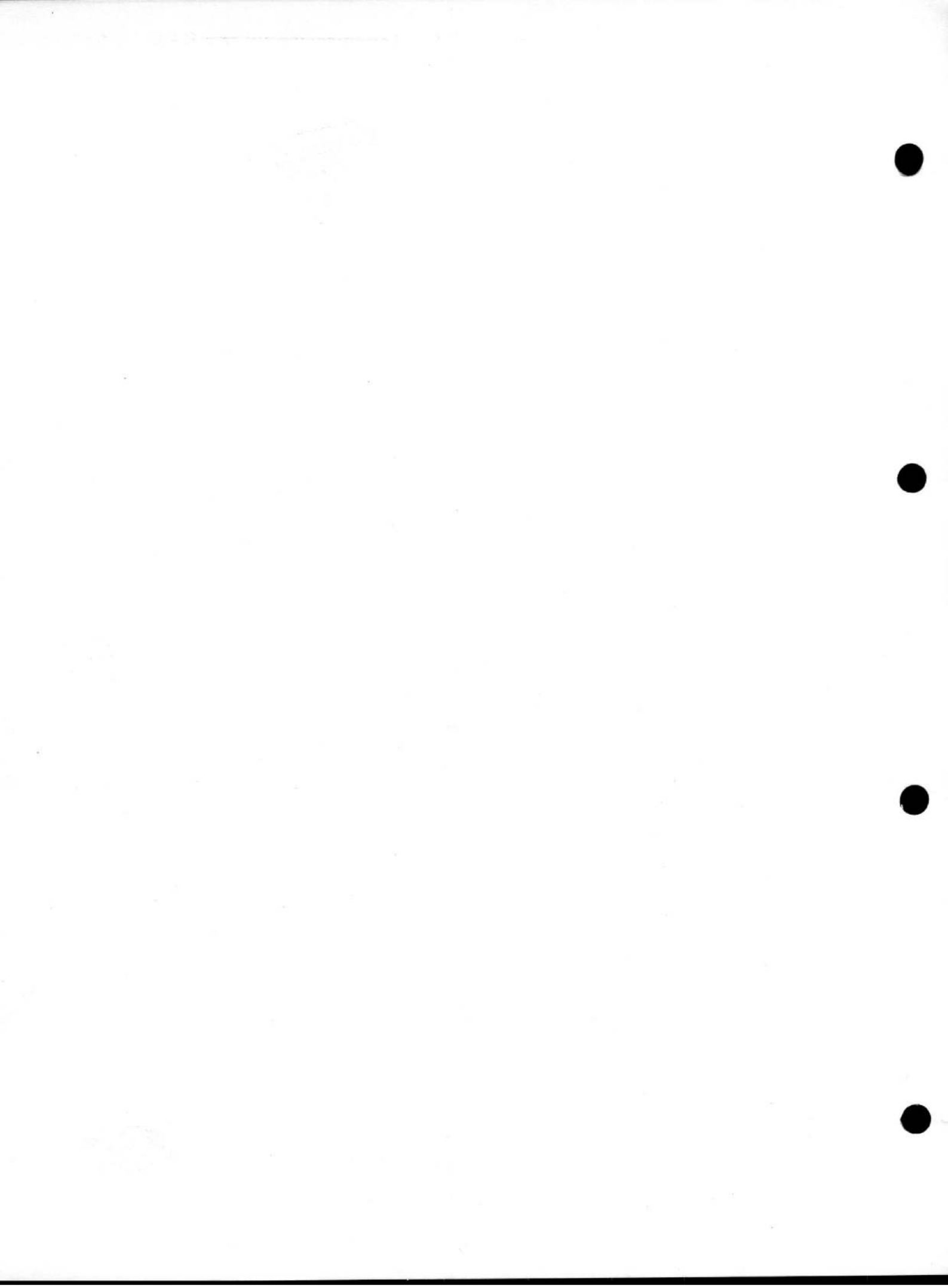


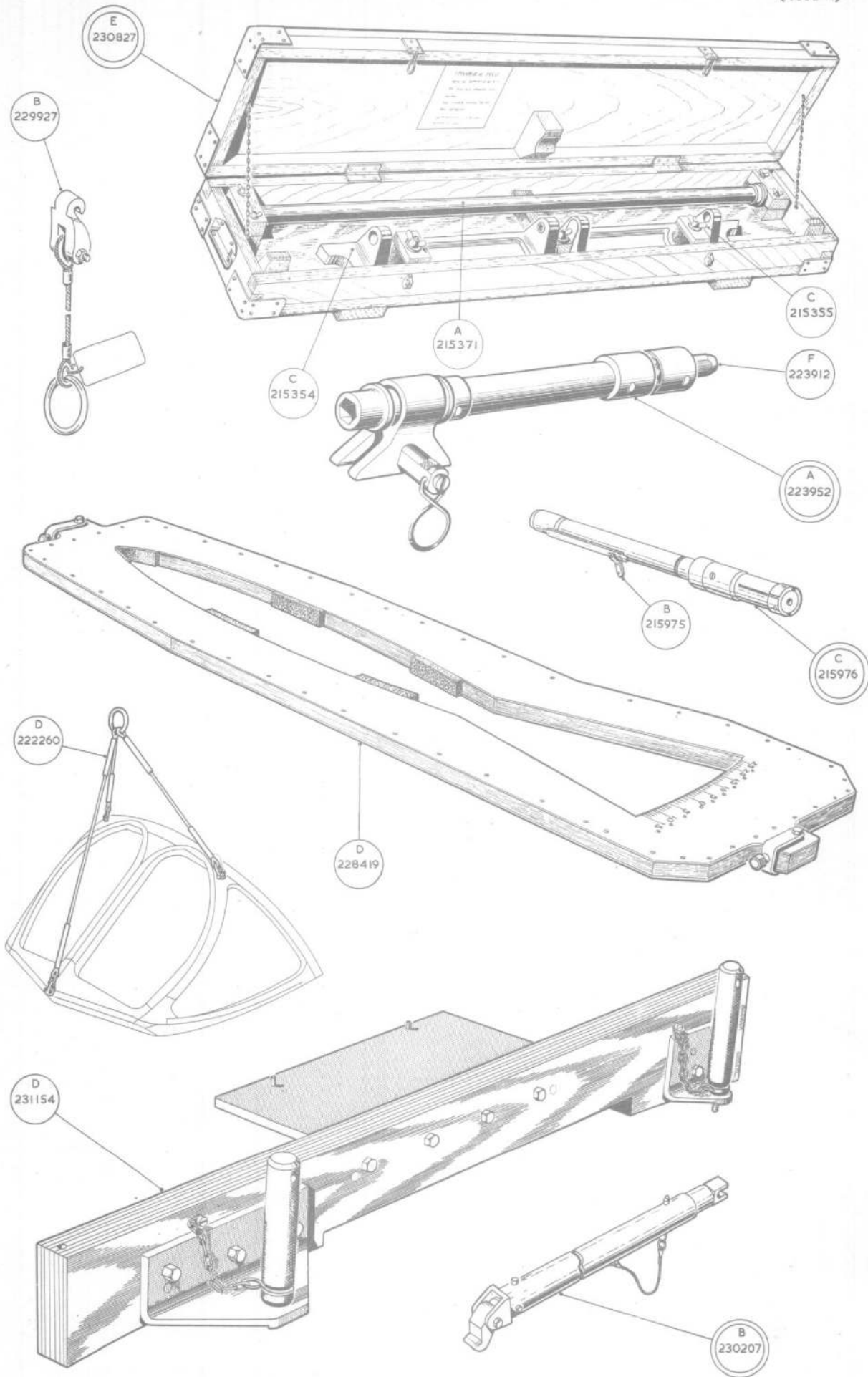


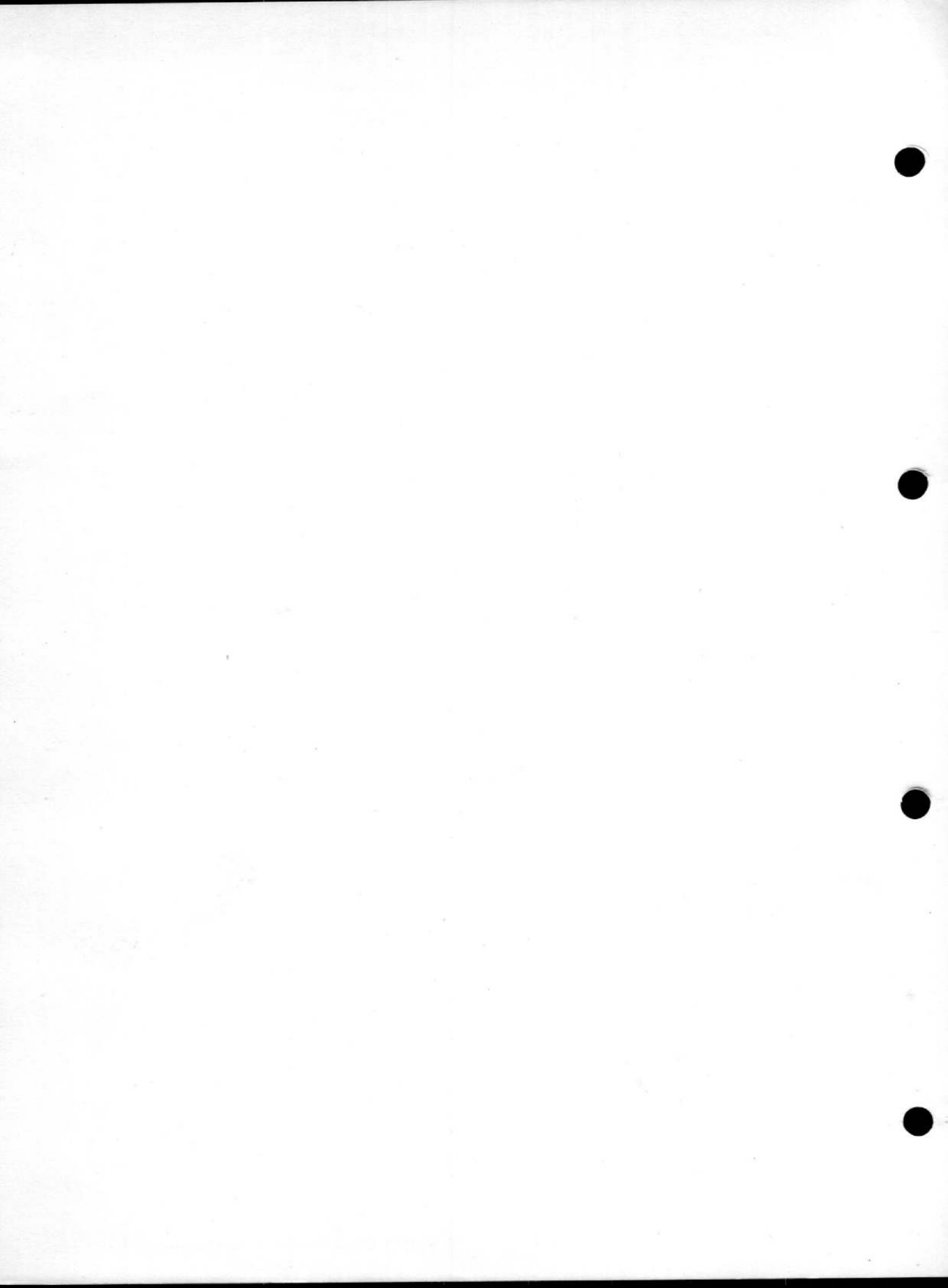




ANCILLARY EQUIPMENT







This file was downloaded
from the RTFM Library.

Link: www.scottbouch.com/rtfm

Please see site for usage terms,
and more aircraft documents.

