

EQUIPMENT S.O.O.—PYLONS—INBOARD

Ref. No.	Part No.	Description	No. Off	Material Specification	M.R. Class of Store	Plate No.
9105	E.221165	PYLON, INBOARD, PORT, GROUP (Mod. 463) ...	1	—	A.	HB.1
9106	E.221166	PYLON, INBOARD, STARBOARD, GROUP (Mod. 463) ...	1	—	A.	HB.1
7993	F.203800	Bolt, special ...	22	S.99.B	C.	HB.1
9536	B.223230	Pipes, fuel and air, port ...	1	—	B.	HB.1
9537	B.223231	Pipes, fuel and air, starboard ...	1	—	B.	HB.1
	E.203592	Pylon, inboard, port, group ...	1	—		
	E.203593	Pylon, inboard, starboard, group ...	1	—		
—	F.224996	Bar, security for transporting (Make from 30A/404, 2$\frac{3}{4}$" long) ...	2	S.1.B	—	
5X/3181	Plessey CZ.23212/1	Block, terminal, 20 way ...	2	—	B.	
5X/2863	Plessey CZ.24285	Block, terminal, 10 way ...	2	—	B.	
8011	F.205519	Bolt, special ...	4	S.99.B	C.	HB.1
10249	A.225520	Bracket, for forward fusing unit (Mod. 695) ...	2	L.72	C.	
	A.209895	Bracket, for aft fusing unit, port ...	1	L.72		
	A.209896	Bracket, for aft fusing unit, starboard ...	1	L.72		
	A.203226	Bracket, for switch ...	2	L.72		
9976	A.229226	Bracket, mounting, relay ...	2	S.510	C.	
9977	F.229227	Buffer, relay, anti-vibration ...	8	Rubazote Neoprene	C.	
	A.225464	Bush, spigot locating (Mod. 695) ...	2	—		
—	—	Cables, electrical (See Cable Chart) ...	—	—	—	
9522	B.208408	Cable, PY.1, group ...	2	—	B.	
8012	F.208578	Adaptor ...	3	Brass	C.	
7990	A.209704	Ferrule ...	1	—	C.	
9545	B.222678	Cable, PY.2, group ...	2	—	B.	
8012	F.208578	Adaptor ...	3	Brass	C.	
—	B.245145	Cable, PY.4, group (See Cable Chart) (Mod. 969) ...	1	—	—	
—	F.209901	Clip, support, for cable (Make from 30A/549) ...	4	S.3	—	
3736	Std.840/17	Clip, support for duct $\frac{7}{16}$" wide x 22 S.W.G. x 1' 7" long	4	DTD.610	C.	4
	F.208710	Cover ...	2	L.72		
9974	A.229902	Cover, cable (Mod. 814) ...	2	L.72	C.	
	F.203746	Duct, for P.Y.6, cable ...	2	L.54		
	B.203826	Fairlead ...	2	S.3		
	or					
	A.221508	Grommet ...	2	—	C.	
5K/	Hellermann R.2032 or					
5K/2950	SP40/B32					
8015	A.200777	Jettison and reset mechanism, group ...	2	—	B.	HB.1
	or					
10491	A.240267	Bracket ...	1	S.3		
	B.200778	Collar ...	2	T.26		
	F.200782	Lever ...	1	Casting		
	F.200779	Rod, push ...	2	S.I.B.		
	F.200780					
	or					
	F.240268	Spring ...	2	Sp. St.	C.	HB.1
8016	F.200781	Link, commoning, 5 way ...	2	—	C.	
5X/6172	Plessey Z.50212					
8017	F.205520	Nut, special ...	4	S.11B	C.	HB.1
8018	C.202992	Panel, access, front, port, group ...	1	—	B.	HB.1
	or					
	C.221725					
8019	C.202993	Panel, access, front, starboard, group ...	1	—	B.	HB.1
	or					
	C.221726					
	A.203044	Catch ...	2	S.3 & S.21B		

EQUIPMENT S.O.O.—PYLONS—INBOARD

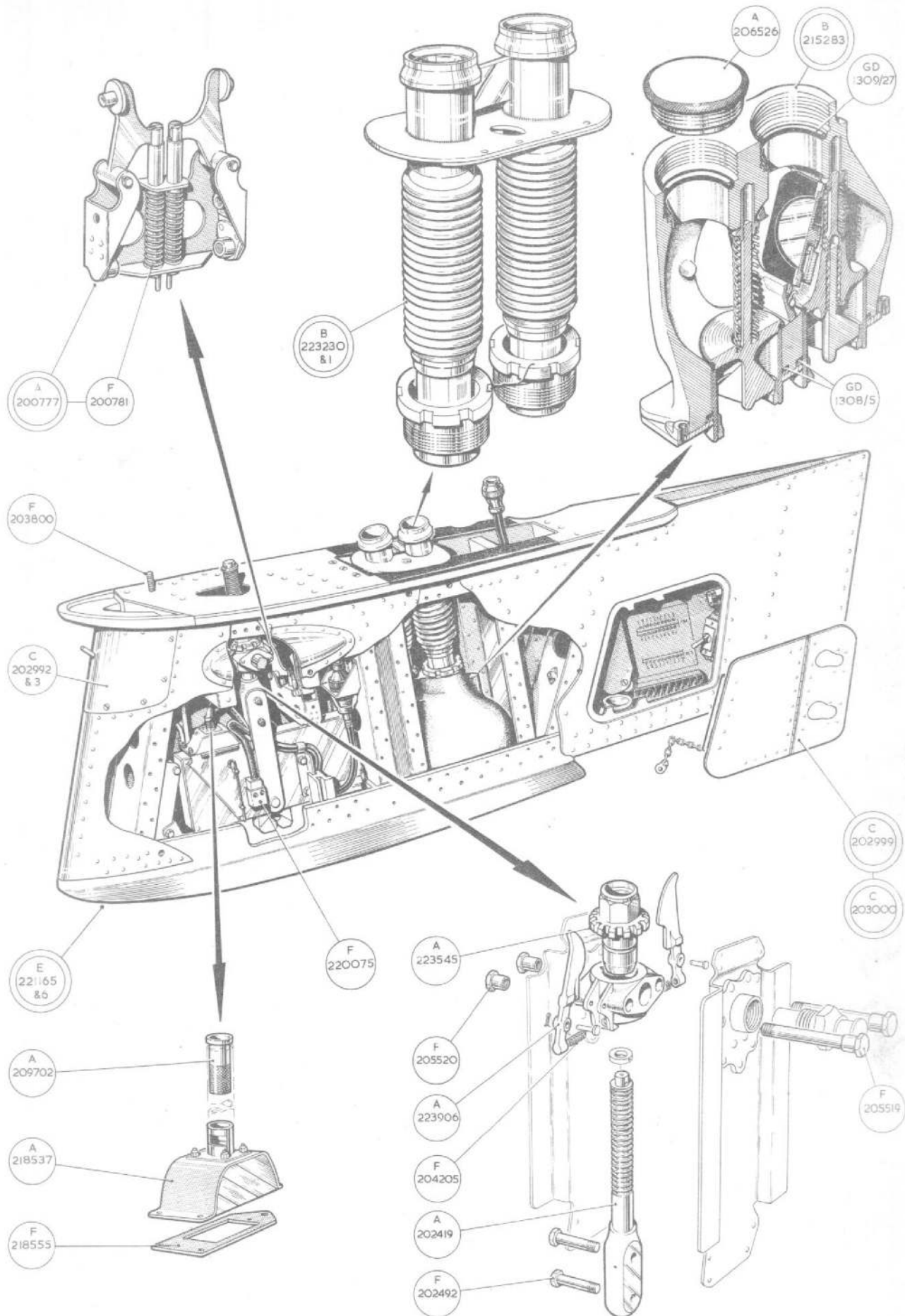
Ref. No.	Part No.	Description						No. Off	Material Specification	M.R. Class of Store	Plate No.
			1	2	3	4	5				
8020	C.202999	Panel, access to cable, port, group					1	L.72	B.	HB.1	
8021	C.203000	Panel, access to cable, starboard, group					1	L.72	B.	HB.1	
	Fairey	Fastener, Type 3					4	—			
	F.S.430/D										
9975	F.229903	Pillar, for cable cover mounting (Mod. 814)					4	S.95.B	C.		
	F.163773	Pillar, for terminal block					4	Plastic			
9528	Chekaleke No. 10	Plug					4	—	C.		
10517	F.222276	Spigot, at release housing					2	S.96.B	C.		
10518	F.222277	Spigot, at release housing					2	S.96.B	C.		
	F.203747	Spigot, stores anti-swing					2	S.80			
	F.137371	Spring, lock, for cable					2	Sp. St.			
	A.203377	Strap, for relay (Pre Mod. 814)					2	—			
	D.205992	Member, top, port, group					—	—			
	D.205993	Member, top, starboard, group					—	—			
	F.206037	Bolt, special					56	S.99.B			
	C.202519	SUPPORT, RELEASE HOUSING, ASSEMBLY					—	—			
	A.223544	Block, trunnion (Mod. 658)					2	Stamping			
9934	F.218649	Block, packing (Mod. 520)					2	S.1.B	C.		
8022	A.202419	Bolt, hanger					2	Stamping	B.	HB.1	
8023	F.202492	Bolt, special					4	S.99.B	C.	HB.1	
9933	F.203112	Bolt, special (Mod. 520)					4	S.96.B	C.		
9538	B.220515	Cable, P.Y.3, group (Mod. 520)					2	—	B.		
	A.218537	Cover (Mod. 520)					1	—		HB.1	
7989	A.209702	Ferrule					1	—	C.	HB.1	
	F.218555	Plate, mounting (Mod. 520)					1	L.72		HB.1	
	A.216578	Channel (Mod. 520)					2	L.72			
4545	Std.841/21	Clip, securing PY.3 cable (AS.740/5)					1	DTD.610	C.	4	
9729	F.214788	Collar, stop, for hanger bolt					2	S.1	C.		
	F.222153	Fitting, stowage (Mod. 606)					2	I.C.I.			
								Alkathene			
11A/4396	—	Housing, release, No. 1, Mk. 2 (Mod. 520)					2	—	A.		
9551	A.223545	Housing, screw for hanger bolt (Mod. 658)					2	DTD.197	C.	HB.1	
	F.220016	Packing (Pre Mod. 606)					2	L.72			
	F.220017	Packing					4	L.72			
9552	A.223906	Pawl (Mod. 658)					4	Casting	C.	HB.1	
8002	Std.1961/N/135	Pin					2	S.99.B	C.		
	F.216694	Pin, special (Mod. 520)					2	DTD.215			
	F.203352	Plate, side					4	—			
8569	F.220075	Sleeve (Mod. 606)					2	Nylon	C.	HB.1	
								Compound			
8027	F.204205	Spring					4	Sp. St.	C.	HB.1	
	Std.1509/23/082	Tube, distance at relay mounting (Mod. 814)					4	T.4			
2141	Std.915/J.14	Washer, (Mod. 520)					2	DTD.610	C.		
5407	Std.915/T.18	Washer, for relay mounting (Mod. 814)					4	DTD.610	MR/C		
5D/1823	—	Unit, fusing No. 3 Mk. 1 (Alternative to 5D/2050)					4	—	B.		
5D/2050	—	Unit, fusing, No. 3 Mk. 1 (Alternative to 5D/1823)					4	—	B.		
26AQ/2908	Std.1335/F.18	Washer, for release housing spigot					2	L.4	C.		
	Dowty										
27QA/383	GD.1309/27	Ring, " O "					4	—	C.	HB.1	

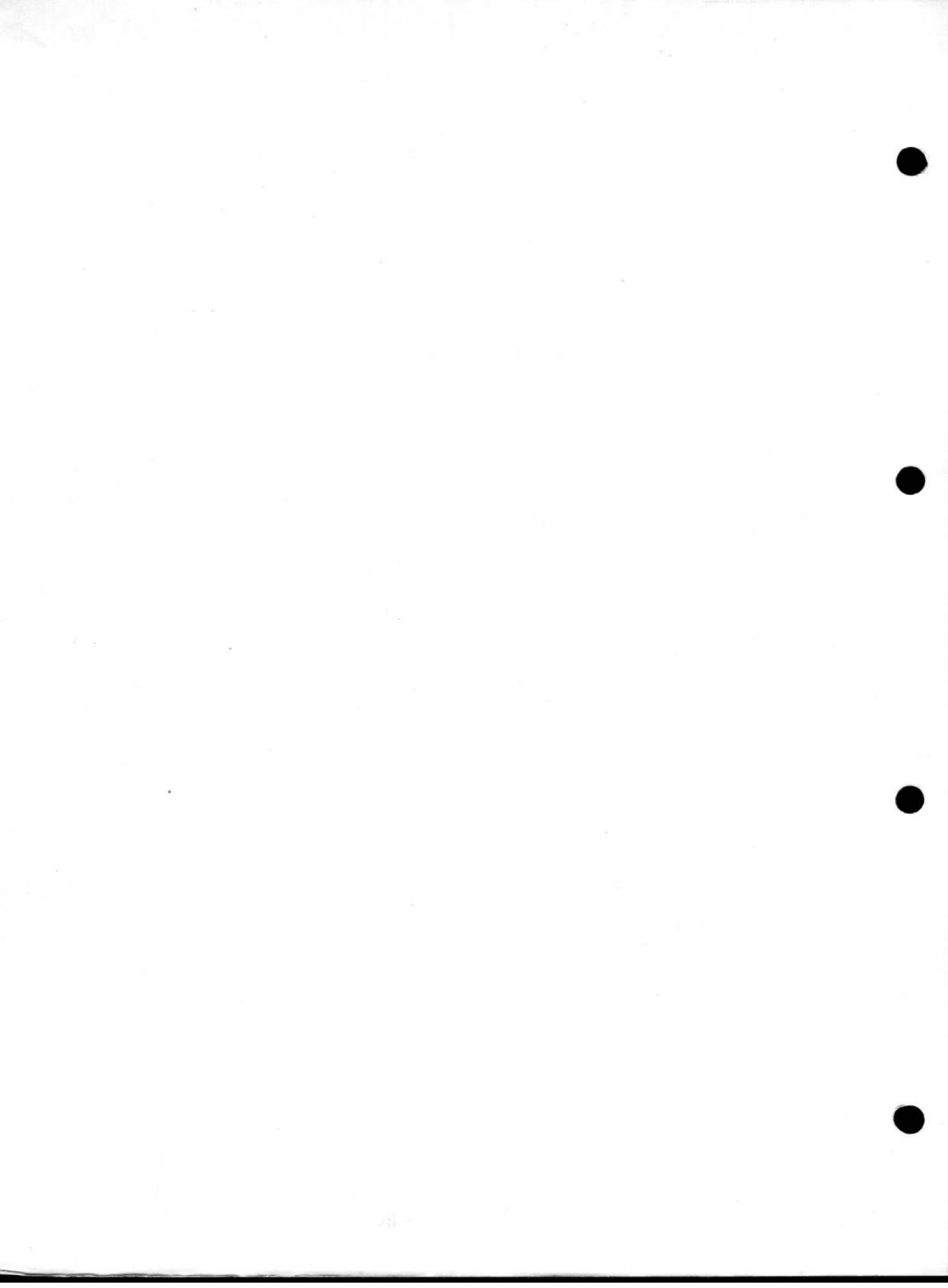
EQUIPMENT S.O.O.—PYLONS—INBOARD

Ref. No.	Part No.	Description					No. Off	Material Specification	M.R. Class of Store	Plate No.			
		1	2	3	4	5							
9107	B.215283	Valve, fuel and air, group	2	—	B.	HB.1			
	F.211845	Guide	1	S.1.B					
	A.215381	Nut, barrel	2	S.95					
	B.215283/1	Pin, dowel, $\frac{3}{8}$ " dia. x $\frac{3}{8}$ " long	1	Silver Steel					
	A.215290	Plate, sealing	1	DTD.166 & Rubber					
	8005 27QA/363	A.206526	Plug, blanking	2			Brass	C. C.	HB.1 HB.1
		Dowty GD.1308/5	Ring, " O "	2			—		
		A.215286	Sleeve	2			L.65C		
		F.219598	Spring	1			Sp. Steel		
		F.215294	Spring	1			Sp. Steel		
A.218673		VALVE, FLAP, AND SEALING PLATE, ASSEMBLY					—	—					
F.215296		Pin, hinge	1	L.65					
F.225421		Sleeve	1	L.65					
F.225420		Spring	1	DTD.215					
A.215287		Valve, flap	1	—					
A.219054	Valve, group	1	L.65C						
F.219592	Spring	1	Sp. Steel						
F.221179 or F.220472	Valve	1	L.65C						

EQUIPMENT S.O.O.—PYLONS—INBOARD

Ref. No.	Part No.	Description					No. Off	Material Specification	M.R. Class of Store	Plate No.
		1	2	3	4	5				
SUMMARY OF STOCK ITEMS										
28D/1010658	A25.1B	Bolt, 4	B.A.	—
28D/9436920	A25.1C	Bolt, 2	B.A.	—
28D/9133012	A25.3C	Bolt, 2	B.A.	—
28D/1011019	A25.8C	Bolt, 2	B.A.	—
28D/9435710	A25.11C	Bolt, 2	B.A.	—
28D/12536	A25.13C	Bolt, 2	B.A.	—
28D/8300	AS.1242.1B	Bolt, 4	B.A.	—
28D/9294	AS.1242.5B	Bolt, 4	B.A.	—
28D/12282	AS.1242.10B	Bolt, 4	B.A.	—
28D/1007975	AS.1242.1C	Bolt, 2	B.A.	—
28D/8307	AS.1242.2C	Bolt, 2	B.A.	—
28D/8308	AS.1242.3C	Bolt, 2	B.A.	—
28D/8309	AS.1242.4C	Bolt, 2	B.A.	—
28D/1007978	AS.1242.7C	Bolt, 2	B.A.	—
28D/8313	AS.1242.9C	Bolt, 2	B.A.	—
28D/9128739	AS.1248.½B	Bolt, 4	B.A.	—
28D/1007981	AS.1248.½C	Bolt, 2	B.A.	—
28N/9156370	SP.21	Nipple	—
28M/9403520	A.27.CP	Nut, 2	B.A.	—
28M/1006473	A.27.CT	Nut, 2	B.A.	—
28M/14833	A.58.JS	Nut, ¾"	B.S.F.	—
28M/10287	AGS.2001.B1	Nut, 4	B.A.	—
28M/10288	AGS.2001.C1	Nut, 2	B.A.	—
28M/10326	AGS.2002.A1	Nut, 6	B.A.	—
28M/10327	AGS.2002.B1	Nut, 4	B.A.	—
28M/10328	AGS.2002.C1	Nut, 2	B.A.	—
28M/9144673	AGS.2019.C1	Nut, 2	B.A.	—
28P/835	SP.4Y.B9	Pin, joint	—
28P/840	SP.4.Y.B14	Pin, joint	—
28P/874	SP.4.Y.D16	Pin, joint	—
28P/19225	SP.90.C3	Pin, split	—
28P/19152	SP.90.C4	Pin, split	—
28P/19154	SP.90.C7	Pin, split	—
28P/19196	SP.90.G14	Pin, split	—
28S/1011487	A32.A32	Screw, 6	B.A.	—
28S/1008152	A32.B6	Screw, 4	B.A.	—
28S/1200062	A33.A20	Screw, 6	B.A.	—
28S/9992531	A33.A24	Screw, 2	B.A.	—
28W/9419486	SP.16B	Washer, 4	B.A.	—
28W/9419475	SP.15.C	Washer, 2	B.A.	—
28W/9419479	SP.15N	Washer, ½"	dia.	—





This file was downloaded
from the RTFM Library.

Link: www.scottbouch.com/rtfm

Please see site for usage terms,
and more aircraft documents.

