

EQUIPMENT S.O.O.—PYLONS—OUTBOARD

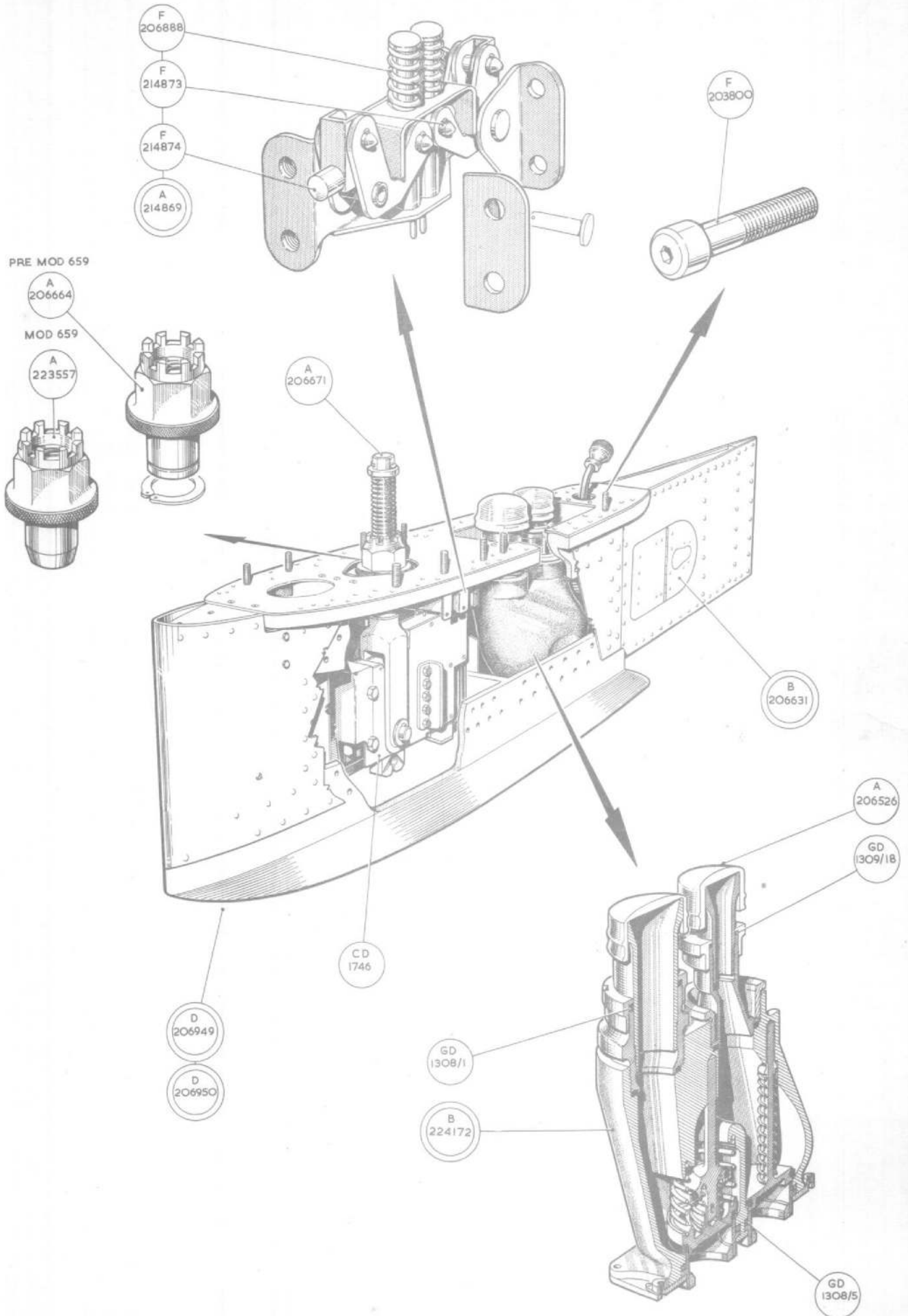
Ref. No.	Part No.	Description					No. Off	Material Specification	M.R. Class of Store	Plate No.
		1	2	3	4	5				
6219	D.206949	G.A. OF OUTBOARD PYLON, PORT ...					1	—	A.	HC.1
6220	D.206950	G.A. OF OUTBOARD PYLON, STARBOARD ...					1	—	A.	HC.1
7993	F.203800	Bolt, special ...					20	S.99.B	C.	HC.1
	E.206878	Pylon, outboard, port, group ...					1	—		
	E.206879	Pylon, outboard, starboard, group ...					1	—		
9813	F.206935	Angle, locating ...					4	Casting	C.	
—	F.224996	Bar, security, for transporting (Mod. 463) ... (Make from 30A/404, 2 $\frac{3}{8}$ " long)					2	S.1.B	—	
5X/3181	Plessey CZ.23212/1	Block, terminal, 20 way ...					2	—	B.	
7994	A.206671	Bolt, hanger ...					2	Stmpg.	B.	HC.1
9933	F.203112	Bolt, special ...					4	S.96.B	C.	
	F.207185	Bolt, special ...					36	S.99.B		
—	F.203225	Bracket, for plug ... (Make from 30B/1732, 2 $\frac{1}{4}$ " x 1 $\frac{3}{8}$ ")					2	L.72	—	
—	B.209743	Cable, PY.11, group (See Cable Chart) ...					2	—	—	
—	B.219948 or B.220179	Cable, PY.12, group (See Cable Chart) ...					2	—	—	
—	B.209745	Cable, PY.13, group (See Cable Chart) ...					2	—	—	
9539	B.220130	Cable, PY.15, group ...					2	—	B.	
28N/13736	—	Circlip, Seeger, external type, 1" dia. shaft ...					2	—	C.	
—	F.209901	Clip, support, for cable (Make from 30A/549) ...					4	S.3		
7996	B.206631	Door, access, to terminal block, group ...					2	—	B.	HC.1
	Fairey FS.430/B	Fastener, type 3 ...					1	—		
	—	Ring, key, double split type $\frac{3}{8}$" dia. ...					2	Comm'l		
5F/2143	—	Tubing, $\frac{1}{4}$" i/d. ...					3"	P.V.C.	C.	
7072	M.B. Metals CD.1746	Housing, release (Butt connector is fitted to PY.12 cable) ...					2	—	B.	HC.1
9734	A.223557	Housing, screw (Mod. 659) ...					2	DTD.197	C.	HC.1
7997	A.214869	Jettison and rest mechanism, group ...					2	—	B.	HC.1
	F.214875	Bracket ...					1	S.3		
	F.214876	Bracket ...					1	S.3		
	A.214870	Bracket, jettison and reset ...					1	S.3		
	F.214872	Lever ...					2	—		
7998	F.214873	Pin ...					2	S.95.B	C.	HC.1
7999	F.214874	Plunger ...					2	—	C.	HC.1
	F.214871	Rod, push ...					2	S.1.B		
8000	F.206888	Spring ...					2	Comm'l	C.	HC.1
	D.206897	Member, top, for pylon, port, group ... (Pre Mod. 659)					2	—		
	D.223554	Member, top, for pylon, port, group (Mod. 659) ...					2	—		
	D.206898	Member, top, for pylon, starboard, group ... (Pre Mod. 659)					2	—		
	D.223555	Member, top, for pylon, starboard, group ... (Mod. 659)					2	—		
	F.206037	Bolt, special ...					12	S.99.B		
8001	A.206664	Nut, special, for hanger bolt (Pre Mod. 659) ...					2	DTD.197	B.	HC.1
	F.220017	Packing ...					6	L.72		
8026	Std.1961/N/140	Pin, for retention of hanger bolt ...					2	S.99.B	B.	
9530	Chekaleke No. 12	Plug ...					4	—	C.	
11A/3669	—	Release, electro magnetic, No. 1, Mk. 1 ...					2	—	A.	
9541	B.224172	Valve, fuel and air, group (Mod. 603) ...					2	—	B.	HC.1
	A.206521	Adaptor ...					1	Casting		
	A.206803	Adaptor ...					1	Casting		
	A.206804	Coupling, special ...					1	L.65.C		
	A.206817	Coupling, special ...					1	L.65.C		
	A.206317	Coupling, special ...					1	—		
	A.206322	Fitting, adjustable ...					1	L.65.C		
	A.206522	Fitting, adjustable ...					1	L.65.C		

EQUIPMENT S.O.O.—PYLONS—OUTBOARD

Ref. No.	Part No.	Description					No. Off	Material Specification	M.R. Class of Score	Plate No.
		1	2	3	4	5				
SUMMARY OF STOCK ITEMS										
28D/8300	AS.1242/1B	Bolt, 4 B.A.	—	—	—
28D/9294	AS.1242.5B	Bolt, 4 B.A.	—	—	—
28D/1007975	AS.1242/1C	Bolt, 2 B.A.	—	—	—
28D/8308	AS.1242/3C	Bolt, 2 B.A.	—	—	—
28D/1007976	AS.1242/4C	Bolt, 2 B.A.	—	—	—
28D/1013172	AS.1242/5C	Bolt, 2 B.A.	—	—	—
28D/8310	AS.1242/6C	Bolt, 2 B.A.	—	—	—
28D/8312	AS.1242/8C	Bolt, 2 B.A.	—	—	—
28D/9436920	A.25.1C	Bolt, 2 B.A.	—	—	—
28D/9133011	A.25.2C	Bolt, 2 B.A.	—	—	—
28D/9133012	A.25.3C	Bolt, 2 B.A.	—	—	—
28D/1010031	A.25.8E	Bolt, 1/4" B.S.F.	—	—	—
28N/11546	AGS.519/3	Cap, protective	—	—	—
28N/11548	AGS.519/5	Cap, protective	—	—	—
28N/3721	AGS.607/D	Chain	—	—	—
5K/2872	SP.40.B12	Grommet, rubber	—	—	—
28M/1200096	A.27.A.T.	Nut, 6 B.A.	—	—	—
28M/10287	AGS.2001/B1	Nut, 4 B.A.	—	—	—
28M/10327	AGS.2002/B1	Nut, 4 B.A.	—	—	—
28M/10328	AGS.2002/C1	Nut, 2 B.A.	—	—	—
28M/7002430	AGS.2002/E1	Nut, 1/4" B.S.F.	—	—	—
28P/834	SP.4Y.B8	Pin, split	—	—	—
28P/19225	SP.90.C3	Pin, split	—	—	—
28P/19176	SP.90.G6	Pin, split	—	—	—
28P/19196	SP.90.G14	Pin, split	—	—	—
28S/9992531	A33.A24	Screw, 6 B.A.	—	—	—
28S/9435716	A33.B12	Screw, 4 B.A.	—	—	—
28F/15170	AGS.1187/17	Seal	—	—	—
28W/9419474	SP.15.B	Washer, 4 B.A....	—	—	—
28W/9419475	SP.15.C	Washer, 2 B.A.	—	—	—
28W/9149479	SP.15.N	Washer, 1/2" dia.	—	—	—
28W/9149486	SP.16.B	Washer, 4 B.A.	—	—	—

RESTRICTED

Ref. No.	Part No.	Description					No. Off	Material Specification	M.R. Class of Store	Plate No.
		1	2	3	4	5				





111





This file was downloaded
from the RTFM Library.

Link: www.scottbouch.com/rtfm

Please see site for usage terms,
and more aircraft documents.