

Hunter T. Mk. 7  
Issued with A/L No. 10

## FUSELAGE—CENTRE PORTION

Ref No.	Part No.	Description	No. Off	Material Specification	M.R. Class of Store	Place No.
	E.219299 D.179303	<b>CENTRE FUSELAGE STRUCTURE, ASSEMBLY ATTACHMENT OF STRINGERS FROM NOSE SPAR TO FRAME 20, ASSEMBLY</b>	—	—		
960	F.184105	<b>Bolt</b> , special, at stringers 'C' and 'H' ...	2	S.95.B	C.	JB.3
	Std.1551/3/125	<b>Bolt</b> , special, at stringers 'C' and 'H' ...	8	S.99.B		
3825	Std.1551/3/105	<b>Bolt</b> , special, at stringers 'C' and 'H' ...	4	S.99.B	MR/C	5
	A.178936	<b>Fitting</b> , attachment, at stringers 'C' and 'H' ...	4	S.99.B		
7262	Std.1718/3	<b>Nut</b> , special ...	12	—	MR/C	5
963	F.170740	<b>Nut</b> , special, at stringers 'C' and 'H' ...	2	S.98.B	C.	JB.3
10607	F.240458	<b>Nut</b> , special for spigot at Stringer 'C' (Mod. 1032)	2	S.99	C.	
10606	A.240442	<b>Spigot</b> at stringer 'C' (Mod. 1032) ...	2	S.99	C.	
962	A.178929	<b>Spigot</b> , at stringers 'C' and 'H' ...	2	S.98.B	C.	JB.3
961	F.184104	<b>Tab</b> , locking, at stringers 'C' and 'H' ...	4	S.3	C.	JB.3
	F.178931	<b>Tube</b> , distance, at stringers 'C' and 'H' ...	2	DTD.364		
7263	Std.1208/62/24/20	<b>Washer</b> , shim, for Std. 1551 bolts ...	QR	Shim Steel	MR/C	4
	D.179304	<b>ATTACHMENT OF STRINGERS AT FRAME 21, ASSEMBLY</b>	—	—		
2418	F.178919	<b>Angle</b> , fitting, at stringer 'K' ...	4	Stamping	MR/C	JB.4
2419	F.178920	<b>Angle</b> , fitting, at stringer 'K' ...	4	Stamping	MR/C	JB.4
3832	Std.1553/E/65	<b>Bolt</b> , special, at stringer 'K' ...	8	S.99.B	MR/C	JB.4
3833	Std.1553/E/55	<b>Bolt</b> , special, at stringer 'K' ...	4	S.99.B	MR/C	JB.4
2420	B.182214	<b>Fitting</b> , for aircraft slinging bolt ...	2	Stamping	MR/C	JB.2
	D.179305	<b>ATTACHMENT OF STRINGERS AT MAIN SPAR, ASSEMBLY</b>	—	—		
4692	F.195546	<b>Angle</b> , attaching hydraulic pipes at stringer 'K,' port	1	DTD.610	MR/C	
4693	F.195547	<b>Angle</b> , attaching hydraulic pipes at stringer 'K,' starboard	1	DTD.610	MR/C	
2421	A.179650	<b>Angle</b> , fitting, at stringer 'K' ...	4	Stamping	MR/C	JB.4
2422	A.178809	<b>Angle</b> , fitting, at stringer 'K' ...	4	Stamping	MR/C	JB.4
4447	Std.1553/J/390	<b>Bolt</b> , at stringer 'K' ...	4	S.99.B	MR/C	JB.4
2423	F.179742	<b>Tube</b> , distance, at stringer 'K' ...	4	DTD.364	MR/C	JB.4
4691	Std.1547/26/12	<b>Washer</b> , profile, at stringer ...	4	DTD.610	MR/C	4
	D.179307	<b>ATTACHMENT OF STRINGER AT REAR SPAR, ASSEMBLY</b>	—	—		
3834	Std.1553/L/320	<b>Bolt</b> , at stringer 'K' ...	4	S.99.B	MR/C	JB.4
3824	Std.1551/2/85	<b>Bolt</b> , at stringer 'K' ...	8	S.99.B	MR/C	JB.4
3825	Std.1551/3/105	<b>Bolt</b> , at stringer 'K' ...	8	S.99.B	MR/C	JB.4
3835	Std.1553/J/300	<b>Bolt</b> , at stringer 'J' ...	4	S.99.B	C.	JB.4
2424	A.178816	<b>Fitting</b> , attachment, at stringer 'K' ...	4	Stamping	MR/C	JB.4
2425	A.168436	<b>Fitting</b> , attachment, at stringer 'J' ...	4	Stamping	MR/C	JB.4
2427	F.178881	<b>Tube</b> , distance, at stringer 'K' ...	4	DTD.364	MR/C	JB.4
2426	F.178865	<b>Tube</b> , distance, at stringer 'J' ...	4	DTD.364	MR/C	JB.4
4691	Std.1547/26/12	<b>Washer</b> , profile, at stringer 'H' ...	6	DTD.610	MR/C	4
	D.183494	<b>ATTACHMENT OF STRINGERS, FRAME 33 AND 36, ASSEMBLY</b>	—	—		
5721	F.197126	<b>Stud</b> , earthing, at stringer 'K,' frame 35 ...	2	S.94.B	MR/C	
4619	Std.1335/E/18	<b>Washer</b> ...	2	L.4	C.	4

FUSELAGE—CENTRE PORTION

Ref. No.	Part No.	Description	No. Off	Material Specification	M.R. Class of Store	Plate No.
	D.184380	<b>BRACKET, FOR AILERON CONTROL, REAR SPAR TO FRAME 33, ASSEMBLY</b>	—	—		
	B.184389	Bracket, mounting, for air supply valve ... ..	1	—		
	B.220967	<b>BRACKETS, FOR BY-PASS VALVE AND FLOW CONTROLLER, ASSEMBLY</b>	—	—		
	A.212818	Bracket ... ..	1	L.72		
	F.212819	Bracket ... ..	1	L.72		
	D.184139	<b>BRACKET, FOR FLYING CONTROLS, FRAMES 27 TO 28, ASSEMBLY</b>	—	—		
	B.184140	Bracket, port, group ... ..	1	DTD.610		
	B.184141	Bracket, starboard, group ... ..	1	DTD.610		
2428	F.184144	Plate, nut, port ... ..	1	DTD.610	MR/C	
2429	F.184145	Plate, nut, starboard ... ..	1	DTD.610	MR/C	
2430	F.184005	Plate, nut ... ..	2	DTD.610	MR/C	
	D.184002	<b>BRACKET, FOR FLYING CONTROLS, FRAMES 23 TO 24, ASSEMBLY</b>	—	—		
	B.184003	Bracket, port ... ..	1	DTD.610		
	B.184004	Bracket, starboard ... ..	1	DTD.610		
2430	F.184005	Plate, nut ... ..	2	DTD.610	MR/C	
2431	C.176110	Channel, mounting, for engine, port, group ...	1	—	MR/C	JB.6
2432	C.176111	Channel, mounting, for engine, starboard, group ...	1	—	MR/C	JB.6
985	F.176114	Block ... ..	2	S.97	C.	JB.6
4025	F.195141	Clamp, half, for wiring ducts ... ..	4	LFS.21	MR/C	
	D.184861	<b>DOORS AND ACCESS PANELS, ASSEMBLY</b>	—	—		
4633	F.197909	Bolt, for access panels... ..	74	S.95	C.	
7835	Std.1700/4/E	Bolt, attaching fuel system access panel ... ..	12	—	C.	5
3	D.177203	Door, access, for gear box, group ... ..	1	—	A.	JB.1
966	A.188142	Hinge ... ..	1	DTD.166	C.	
965	King Aircraft Corp. C.3099	Toggle, housing ... ..	2	—	C.	JB.5
10451	D.235372	Door, access to engine starter group (Mod. 857)	1	—	A.	JB.5
9358	D.221695	Door, access, to engine starter, group (Pre Mod. 857)	1	—	A.	
10AD/113616	5935/113616	Adaptor, bulkhead ... ..	1	—	C.	
4844	F.203030	Angle, for spring clip ... ..	1	LA	MR/C	JB.5
	F.201721	Channel ... ..	1	L.72		
5720	Std.842/11	Clip, cable ... ..	4	S.510	MR/C	
10HB/1205	E.227265/36	Connector, aerial ... ..	1	—	B.	
981	A.188500	Hinge ... ..	1	DTD.166	C.	JB.5
5854	C.202812	Insulator, aerial ... ..	1	DTD.5518	C.	JB.5

FUSELAGE—CENTRE PORTION

Ref. No.	Part No.	Description					No. Off	Material Specification	M.R. Class of Store	Plate No.
		1	2	3	4	5				
9360	C.222422					Lid, aerial box, and stowage for engine starter cartridges, group	1	—	B.	JB.5
4252	C.199786/1					Clip ... ..	2	DTD.610	C.	JB.5
4253	C.199786/2					Clip ... ..	4	DTD.610	C.	JB.5
	B.222420					Lid ... ..	1	DTD.610		
4599	A.201719					Stay, support ... ..	1	L.72	C.	JB.5
5853	F.202811					Strap, aerial ... ..	1	DTD.5518	C.	JB.5
980	A.188515					Strip, aerial ... ..	1	L.16	C.	JB.5
965	K.A.C. C.3099					Toggle, housing ... ..	2	—	C.	JB.5
28FP/594	Oddie No. 219					Washer ... ..	2	—	C.	
6743	C.208737 or C.208939					Duct, access, to engine bleed valve, port ... ..	①	(L.16)	B.	JB.1
6744	C.208738 or C.208940					Duct, access, to engine bleed valve, starboard ... ..	1	L.16	B.	JB.1
8382	D.213252					Panel, access to cold air unit and outlet duct, port, group (Mod. 541)	1	—	B.	JB.1
8383	B.213163					Duct, outlet ... ..	1	T.6	C.	
8380	C.213241					Panel, access to cold air unit and outlet duct, starboard, group (Mod. 541)	1	—	B.	
8381	B.213200					Duct, outlet ... ..	1	TC	C.	
4241	A.199308					Panel, access to engine oil filter ... ..	1	—	C.	JB.5
1	C.177201					Panel, access, for fuel pump ... ..	1	DTD.610	B.	JB.1
63	C.179791					Panel, access, for fuel system, group ... ..	1	DTD.610	B.	JB.1
4448	F.199061					Cover, for pitot drain valve ... ..	2	—	MR/C	JB.1
964	C.179793					Panel, access, for services ... ..	1	DTD.610	B.	JB.1
967	B.179781					Panel, access to front engine mounting, port ... ..	1	DTD.610	C.	JB.1
968	B.179782					Panel, access to front engine mounting, starboard ... ..	1	DTD.610	C.	JB.1
10279	B.239726					Panel, access to fuel vent connections and fatigue meter, Port (Mod. 915)	1	—	C.	JB.5
969	B.179779					Panel, access to fuel vent connections, starboard (Mod. 915)	1	DTD.620	C.	JB.1
970	B.179777					Panel, access to fuel level switches ... ..	2	DTD.610	C.	JB.2
974	B.186939					Panel, access to igniter plug, port ... ..	1	DTD.610	C.	JB.1
975	B.186940					Panel, access to igniter plug, starboard ... ..	—	DTD.610	C.	JB.1
976	A.186941					Panel, access to hydraulic filter, port only ... ..	1	DTD.610	C.	JB.1
977	F.187455					Panel, access to suction relief valve ... ..	2	DTD.546	C.	JB.1
10449	E.235375					Panel, access to engine group (Mod. 857) ... ..	1	—	A.	JB.5
10899	A.209971					Stiffener (Mod. 857) ... ..	1	L.72	C.	
9356	E.221696					Panel, access to engine, group (Pre Mod. 857) ... ..	1	—	A.	
10H/	5935/113616					Adaptor, bulkhead ... ..	1	—	C.	
10712	F.219432					Clamp, cable, group ... ..	1	—	C.	
	F.219447					Block, clamp ... ..	2	LFS.21		
	F.219433					Stud, anchor ... ..	1	—		
28E/10031	Terry 80 x /2					Clip, for handle stowage ... ..	2	—	C.	
5720	Std.842/11					Clip, cable ... ..	2	S.3	MR/C	
10HB/1096	E.227265/37					Connector, aerial ... ..	1	—	B.	
984	B.188540					Hook, securing panel to fuselage ... ..	2	Stamping	C.	JB.5
9362	B.222506					Lid, for serial box ... ..	1	DTD.610	C.	JB.5
4737	F.197737					Plate, retaining " Terry " clips ... ..	2	DTD.610	C.	JB.5
10795	F.210552					Seal ... ..	1	Neoprene	C.	
5853	F.202811					Strap, aerial ... ..	1	DTD.5518	C.	JB.5
980	A.188515					Strip, aerial ... ..	1	L.16	C.	JB.5
965	K.A.C. C.3099					Toggle, housing ... ..	2	—	C.	JB.5

FUSELAGE—CENTRE PORTION

Ref. No.	Part No.	Description					No. Off	Material Specification	M.R. Class of Store	Plate No.
		1	2	3	4	5				
4026	Std.1507/23/080	Tube, distance, $\frac{3}{16}$ " o/d × 17 s.w.g. × 8" long (Make from 30A/975)					4	T.26	MR/C	4
4027	Std.1507/23/060	Tube, distance, $\frac{3}{16}$ " o/d × 17 s.w.g. × 6" long (Make from 30A/975)					2	T.26	MR/C	4
5269	Fairey FS.553	Ring, retaining screws ... ..					40	—	C.	
	C.188170	<b>DUCTS, FOR ENGINE CONTROLS, ASSEMBLY</b>					—	—		
3741	Std.840/20	Clip, securing, $\frac{3}{16}$ " wide strip × 22 s.w.g. × 2" long					21	DTD.610	C.	4
2440	C.188170/1	Duct, forward, $\frac{1}{2}$ " o/d × 22 s.w.g. × 31.8" long					3	T.4	MR/C	JB.3
2441	C.188170/2	Duct, centre, $\frac{1}{2}$ " o/d × 22 s.w.g. × 6" long ...					3	T.5	MR/C	
2442	C.188170/3	Duct, aft, $\frac{1}{2}$ " o/d × 22 s.w.g. × 12" long ...					3	T.4	MR/C	
	D.203139	<b>DUCTS, SERVICE, BETWEEN FRAMES 37-40, ASSEMBLY</b>					—	—		
1755	B.191117	Duct, for electric cables, port ... ..					1	T.26	C.	JB.4
1756	B.191118	Duct, for electric cables, starboard ... ..					1	T.26	C.	JB.4
1757	A.191119	Duct, for electric cables ... ..					4	T.26	C.	JB.4
1758	B.191592	Duct, for electric cables, port ... ..					1	T.26	C.	JB.4
1759	B.191593	Duct, for electric cables, starboard ... ..					1	T.26	C.	JB.4
	B.195155-6	<b>DUCT, FOR FUEL LEVEL SWITCH CABLES, ASSEMBLY</b>					—	—		
	F.195157	Duct ... ..					2	T.9		
4028	B.195153	Duct, for rear fuel tank gauge wiring, port, group ... (F.194034 Socket to be supplied loose)					1	L.54	MR/C	JB.3
4029	B.195154	Duct, for rear fuel tank gauge wiring, starboard, group ... (F.194035 Socket to be supplied loose)					1	L.54	MR/C	JB.3
	D.218609	<b>FAIRINGS, AFT OF HOOD, ASSEMBLY</b> ...					—	—		
	E.217482	Fairing, aft of hood, frame 18 to 24, group ...					1	—		
	C.219530	Bracket, mounting, for aerial, port ...					1	L.72		
	C.219531	Bracket, mounting, for aerial, starboard ...					1	L.72		
8898	E.217482/43	Panel, access, port ... ..					1	L.72	C.	JB.1
8899	E.217482/44	Panel, access, starboard ... ..					1	L.72	C.	JB.1
2438	B.184977	Landing, rear, port, group ... ..					1	DTD.610	MR/C	JB.2
2439	B.184978	Landing, rear, starboard, group ... ..					1	DTD.610	MR/C	JB.2
28FP/341	Dzus S.5325	Spring ... ..					3	—	C.	
1754	B.193293	Panel, access, for flying controls ... ..					1	DTD.610	C.	JB.1
8615	D.217722	Spine, forward portion, frame 24 to 26 ... ..					1	L.72	B.	JB.1
8616	C.217484	Spine, 1st intermediate, frame 26 to 33 ... ..					1	L.72	B.	JB.1
8617	C.217755	Spine, 2nd intermediate, frame 33 to 38 ... ..					1	L.72	B.	JB.1
7845‡	C.213452	Spine, 3rd intermediate, frame 38 to 40, group ... (0.10" trimming allowance)					1	L.72	B.	JB.1
28FP/617	Dzus EF.545B	Fastener ... ..					12	—	C.	
	C.204438	<b>FIRE PROTECTION AT FRAME 37, ASSEMBLY</b>					—	—		
8328	F.204565	Plate, blanking ... ..					1	L.72	MR/C	
	D.202335	Plate, centre ... ..					1	DTD.171		
	D.202338	Plate, patch, lower, port ... ..					1	S.3		
	D.202339	Plate, patch, lower, starboard ... ..					1	S.3		
	D.202340	Plate, side, port ... ..					1	DTD.171		
	D.202341	Plate, side, starboard ... ..					1	DTD.171		

FUSELAGE—CENTRE PORTION

Ref. No.	Part No.	Description					No. Off	Material Specification	M.R. Class of Score	Plate No.
		1	2	3	4	5				
4460	F.189597						1	Plastic	MR/C	
4461	F.189598						2	Plastic	MR/C	JB.7
4459	F.199789						1	Plastic	MR/C	
7100	Std.915/B10						9	DTD.364	MR/C	4
5785	Std.915/C16						4	DTD.364	C.	4
	D.176274						1	DTD.364		
2443	D.176275						1	DTD.364	MR/B	JB.3
2444	D.176276						1	DTD.364	MR/B	JB.3
	D.219332						1	—		
2446	A.181165						1	DTD.610	MR/C	JB.8
2445	A.181166						1	DTD.610	MR/C	JB.8
7289	A.202682						1	—	MR/C	
	A.181153						1	DTD.610		
	A.181154						1	DTD.610		
4694	A.195545						1	DTD.610	MR/C	
	B.181157						1	DTD.610		
	B.181158						1	DTD.610		
2447	C.181163						1	DTD.610	MR/C	JB.8
2448	C.181164						1	DTD.610	MR/C	JB.8
2449	F.182169						3	DTD.610	MR/C	JB.8
2450	F.182170						3	DTD.610	MR/C	JB.8
4695	F.197436						1	DTD.610	MR/C	
2451	F.182166						10	S.2	MR/C	JB.3
2452	F.187392						1	DTD.610	MR/C	JB.3
2453	F.187393						1	DTD.610	MR/C	JB.3
	B.211968						1	DTD.610		JB.3
2455	F.187397						1	DTD.610	MR/C	JB.3
	A.221112						1	L.72	MR	
2456	F.187396						1	DTD.610	MR/C	
2457	A.181119						1	DTD.610	MR/C	JB.8
2459	A.181145						1	DTD.610	MR/C	JB.8
2460	A.181146						1	DTD.610	MR/C	JB.8
2461	B.181112						1	DTD.610	MR/C	JB.8
2462	A.181120						1	DTD.610	MR/C	JB.8
2463	B.181115						1	DTD.610	MR/C	JB.8
2464	B.181116						1	DTD.610	MR/C	JB.8
2458	A.181121						2	DTD.610	MR/C	JB.8
8230	D.216907						1	DTD.610	MR/C	JB.8
2467	D.181102						1	DTD.610	MR/C	JB.8
	B.181141						1	DTD.364		
	B.181142						1	DTD.364		
2468	B.181167						1	DTD.610	MR/C	JB.8
	B.181133						2	DTD.364		
	F.212019						1	L.72		
	C.181123						1	DTD.166		
	C.181124						1	DTD.166		
	C.181125						1	DTD.166		
	C.181126						1	DTD.166		
2469	B.181106						1	DTD.610	MR/C	JB.8
	C.181198						1	Stamping		
	C.181199						1	Stamping		
2470	F.178982						4	S.1 & S.3	MR/C	JB.8

FUSELAGE—CENTRE PORTION

Ref. No.	Part No.	Description	No. Off	Material Specification	M.R.	Plate No.
					Class of Score	
		1	2	3	4	5
2471	A.182167	Strip, fairing, at bottom boom attachment, port	1	DTD.364	MR/C	JB.8
2472	A.182168	Strip, fairing, at bottom boom attachment, starboard	1	DTD.364	MR/C	JB.8
2473	B.181160	Strap, at bottom diaphragm ... ..	1	DTD.610	MR/C	JB.8
—	Std.1509/24/098	Tube, distance, $\frac{3}{8}$ " x 17 s.w.g. x .98" long (Make up from 30B/557)	2	T.4	—	
—	Std.1509/24/104	Tube, distance, $\frac{3}{8}$ " x 17 s.w.g. x 1.04" long (Make up from 30B/557)	1	T.4	—	
	Std.1549/28/10	Washer, packing ... ..	2	DTD.610		
	D.178147	Frame 20, group ... ..	1	—		
	A.177464	Angle, port ... ..	2	DTD.364		
	A.177465	Angle, starboard ... ..	2	DTD.364		
2474	F.177466	Block, distance ... ..	2	L.F.2	MR/C	JB.8
2475	D.178147/4	Bottom, portion ... ..	1	DTD.610	MR/C	JB.8
2476	D.178147/5	Bottom, portion ... ..	1	DTD.610	MR/C	JB.8
2477	D.178147/6	Channel ... ..	2	DTD.610	MR/C	JB.8
2478	D.178147/7	Plate, doubling ... ..	2	DTD.610	MR/C	JB.8
8216	D.215747	Frame 21, group ... ..	1	—	MR/B	JB.8
—	D.215747/4	Angle, port (supply 26FX/2479 for spares)	1	DTD.610	—	JB.8
—	D.215747/5	Angle, starboard (supply 26FX/2480 for spares)	1	DTD.610	—	JB.8
—	D.215747/7	Angle, bottom (supply 26FX/2481) for spares	1	DTD.610	—	J5.8
—	D.215747/8	Angle, (supply 26FX/2482 for spares)	2	DTD.610	—	JB.8
—	D.215747/2	Diaphragm, bottom, port (supply 26FX/2484 for spares)	1	DTD.610	—	JB.8
—	D.215747/3	Diaphragm, bottom, starboard (supply 26FX/2485 for spares)	1	DTD.610	—	JB.8
4696	D.186837	Plate, reinforcing ... ..	1	DTD.166	MR/C	JB.8
2486	B.178914	Stiffener, front ... ..	1	DTD.610	MR/C	JB.8
2487	B.178915	Stiffener, rear ... ..	1	DTD.610	MR/C	JB.8
	E.177458	Frame 22, group ... ..	1	—		
4699	F.195550	Angle, for attaching hydraulic pipes	1	DTD.610	MR/C	JB.8
4695	F.197436	Bracket, for attaching gun heating pipes	1	DTD.610	MR/C	JB.8
4901	B.177902	Channel ... ..	2	DTD.610	MR/C	JB.8
	F.206125	Channel ... ..	1	L.72		
8219	E.177458/9	Diaphragm, bottom portion	1	DTD.610	MR/C	JB.8
	F.206122	Packing, ... ..	1	L.72		
2489	A.178505	Piece, distance ... ..	2	L.F.2	MR/C	JB.8
	B.206108	Piece, bridge aft ... ..	1	DTD.166		
	B.209407	Piece, bridge forward ... ..	1	DTD.166		
8223	C.215748	Plate, reinforcing ... ..	1	DTD.610	MR/C	JB.8
	E.177459	Frame 23, group ... ..	1	—		
4700	F.195241	Angle, for attaching hydraulic pipes	1	DTD.610	MR/C	JB.8
	F.206123	Bracket, ... ..	1	L.56.C		
2491	B.177903	Channel ... ..	2	DTD.610	MR/C	JB.8
8220	E.177459/9	Diaphragm, bottom portion	1	DTD.610	MR/C	JB.8
2493	A.178546	Piece, distance ... ..	2	L.F.S.	MR/C	JB.8
8222	C.215749	Plate, reinforcing ... ..	1	DTD.610	MR/C	JB.8
	E.177460	Frame 24, group ... ..	1	—		
2495	E.177460/4	Diaphragm, bottom portion, port ... ..	1	DTD.610	MR/C	JB.8
2496	E.177460/5	Diaphragm, bottom portion, starboard ... ..	1	DTD.610	MR/C	JB.8

FUSELAGE-CENTRE PORTION

Ref. No.	Part No.	Description	No. Off					Material Specification	M.R. Class of Store	Plate No.
			1	2	3	4	5			
		<b>Frame 25</b> , main spar, group ... ..	1							
2497	D.177175	<b>Angle</b> , for tank support skin, port ... ..	1				DTD.610	MR/C	JB.9	
2498	D.177970	<b>Angle</b> , for tank support skin, starboard ... ..	1				DTD.610	MR/C	JB.9	
	D.177971	<b>Angle</b> , for tank support skin, port ... ..	1				DTD.610			
	D.177968	<b>Angle</b> , for tank support skin, port ... ..	1				DTD.610			
	D.177969	<b>Angle</b> , for tank support skin, starboard ... ..	1				DTD.610			
2499	D.177961	<b>Angle</b> , bottom, for tank support skin ... ..	1				DTD.610	MR/C	JB.9	
2500	D.177959	<b>Angle</b> , centre, for tank support skin, port ... ..	1				DTD.610	MR/C	JB.9	
5722	B.177827	<b>Angle</b> , at bottom portion of frame ... ..	1				DTD.610	MR/C	JB.9	
2501	D.177960	<b>Angle</b> , centre, for tank support skin, starboard ... ..	1				DTD.610	MR/C	JB.9	
4703	F.195554	<b>Angle</b> , at bottom portion of frame ... ..	1				DTD.610	MR/C	JB.9	
2502	D.177182	<b>Boom</b> , bottom, front ... ..	1				DTD.364	MR/C	JB.9	
2503	D.177188	<b>Boom</b> , bottom, rear ... ..	1				DTD.364	MR/C	JB.9	
7300	Std.1551/8/310	<b>Bolt</b> , fork fitting ... ..	8				S.99.B	MR/C	5	
3826	Std.1551/8/315	<b>Bolt</b> , fork fitting ... ..	14				S.99.B	MR/C	5	
1762	F.190266	<b>Bolt</b> , special, for fire extinguisher mounting ... ..	2				S.95, S.96	C.	JB.9	
3842	Std.1639/7.N	<b>Bolt</b> , for fork fitting ... ..	8				S.2 or S.11	MR/C	5	
1764	B.190273	<b>Bracket</b> , locating, for fire extinguisher mounting ... ..	1				S.3, T.26	C.	JB.9	
4697	A.197977	<b>Bracket</b> , mounting, for relay or lower portion of frame ... ..	1				DTD.610	MR/C	JB.9	
4698	A.196361	<b>Bracket</b> , mounting, for relays at lower portion of frame ... ..	1				DTD.610	MR/C	JB.9	
5723	F.177893	<b>Bracket</b> , for attaching stringers ... ..	4				DTD.610	MR/C	JB.9	
5724	F.177894	<b>Bracket</b> , for attaching stringers ... ..	4				DTD.610	MR/C	JB.9	
2504	A.177433	<b>Channel</b> , centre, at lower portion of frame ... ..	2				DTD.610	MR/C	JB.9	
4704	F.193326	<b>Channel</b> , mounting, for J.B.1 ... ..	1				DTD.610	MR/C	JB.9	
2505	A.177432	<b>Channel</b> , outer, at lower portion of frame ... ..	2				DTD.610	MR/C	JB.9	
4705	F.193327	<b>Channel</b> , mounting, for J.B.1 ... ..	1				DTD.610	MR/C	JB.9	
2506	A.177434	<b>Channel</b> , inner, at lower portion of frame ... ..	2				DTD.610	MR/C	JB.9	
2507	B.177191	<b>Channel</b> , at bottom centre of frame ... ..	2				DTD.610	MR/C	JB.9	
28E/10031	Terry 80 x/2	<b>Clip</b> , centre portion of frame ... ..	2				—	C.		
28E/10027	Terry 80/000	<b>Clip</b> , upper portion of frame (alternative to AS.2295/1) ... ..	3				—	C.		
28E/10037	Terry 80/5	<b>Clip</b> , centre portion of frame (alternative to AS.2295/9) ... ..	1				—	C.		
28E/10036	Terry 80/4	<b>Clip</b> , centre and upper portion of frame (alternative to AS.2295/8) ... ..	3				—	C.		
	D.177178	<b>Fork</b> , fitting, top port, bottom starboard ... ..	2				Stamping			
	D.177179	<b>Fork</b> , fitting, top starboard, bottom port ... ..	2				Stamping			
	E.177177	<b>Member</b> , cross, for hinge fitting attachment ... ..	2				Stamping			
7302	Std.1718/8	<b>Nut</b> , for fork fitting ... ..	12				S.1	MR/C	5	
4706	F.193436	<b>Packing</b> , at mounting channel, for J.B.1 ... ..	1				DTD.610	MR/C	JB.9	
4436	A.177710	<b>Piece</b> , packing, at lower portion of frame ... ..	2				DTD.610	MR/C	JB.9	
4437	B.198017	<b>Plate</b> , reinforcing, at bottom rear of frame ... ..	1				DTD.610	MR/C	JB.9	
4437	B.198018	<b>Plate</b> , reinforcing, at bottom rear of frame ... ..	1				DTD.610	MR/C	JB.9	
4033	B.177184	<b>Plate</b> , reinforcing, at bottom forward of frame, starboard ... ..	1				DTD.546	MR/C	JB.9	
2509	B.177185	<b>Plate</b> , reinforcing, at bottom forward of frame, port ... ..	1				DTD.546	MR/C	JB.9	
4211	Std.1687/2	<b>Saddle</b> ... ..	1				—	C.	5	
4707	Std.915/A/14	<b>Washer</b> , for relay mounting, bracket ... ..	4				DTD.610	MR/C	4	
	Std.1208/125/52/20	<b>Washer</b> , shim, for bolts, Std. 1551 ... ..	QR				Shim Steel			
2510	D.177180	<b>Web</b> , forward ... ..	1				DTD.610	MR/C	JB.9	
2511	D.177186	<b>Web</b> , rear ... ..	1				DTD.610	MR/C	JB.9	

## FUSELAGE—CENTRE PORTION

Ref. No.	Part No.	Description	1 2 3 4 5					No. Off	Material Specification	M.R. Class of Store	Plate No.
			1	2	3	4	5				
	E.178765	<b>Frame 26, group</b> ... ..						1	—		
4702	F.195553	<b>Angle</b> , at starboard side of frame, for hydraulic pipes						1	DTD.610	MR/C	
2512	B.178772	<b>Angle</b> , at bottom, diaphragm						1	DTD.610	MR/C	JB.9
	C.178766	<b>Angle</b> , for air intake, port						1	DTD.610		
	C.178767	<b>Angle</b> , for air intake, starboard						1	DTD.610		
2513	E.178765/2	<b>Diaphragm</b> , bottom						1	DTD.610	MR/C	JB.9
2514	A.178778	<b>Stiffener</b> , at bottom diaphragm, port						1	DTD.610	MR/C	JB.9
2515	A.178779	<b>Stiffener</b> , at bottom diaphragm, starboard						1	DTD.610	MR/C	JB.9
2470	F.178982	<b>Stud</b> , for fairlead						4	S.1 & S.3	MR/C	
	E.179520	<b>Frame 27, group</b> ... ..						1	—		
2516	B.179527	<b>Angle</b> , for tank support skin, port						1	DTD.610	MR/C	JB.9
2517	B.179528	<b>Angle</b> , for tank support skin, starboard						1	DTD.610	MR/C	JB.9
2518	A.179531	<b>Angle</b> , for tank support skin, port						1	DTD.610	MR/C	
2519	A.179532	<b>Angle</b> , for tank support, skin, starboard						1	DTD.610	MR/C	
4708	F.194971	<b>Angle</b> , for clipping hydraulic pipes						1	DTD.610	MR/C	
4709	F.194972	<b>Angle</b> , for clipping hydraulic pipes						1	DTD.610	MR/C	
2520	C.179525	<b>Channel</b> , centre, port						1	DTD.610	MR/C	JB.9
2521	C.179526	<b>Channel</b> , centre, starboard						1	DTD.610	MR/C	JB.9
	C.179522	<b>Channel</b> , outer, port						1	DTD.610		
	C.179523	<b>Channel</b> , outer, starboard						1	DTD.610		
2522	E.179520/4	<b>Diaphragm</b> , bottom, port						1	DTD.610	MR/C	JB.9
2523	E.179520/5	<b>Diaphragm</b> , bottom, starboard						1	DTD.610	MR/C	JB.9
	C.179521	<b>Diaphragm</b> , centre						1	DTD.610		
2524	F.179541	<b>Plate</b> , joint						1	DTD.610	MR/C	JB.9
2525	F.179543	<b>Spigot</b> , locating air intake and centre tank supporting skin						2	S.3, S.21	MR/C	JB.9
2526	F.179544	<b>Spigot</b> , locating air intake and centre tank supporting skin						2	S.3, S.21	MR/C	JB.9
2527	F.179546	<b>Spigot</b> , locating air intake and centre tank supporting skin						2	S.3, S.21	MR/C	JB.9
2528	A.179533	<b>Stiffener</b> , at bottom diaphragm, port						1	DTD.610	MR/C	JB.9
2529	A.179534	<b>Stiffener</b> , at bottom diaphragm, starboard						1	DTD.610	MR/C	JB.9
	D.200960	<b>Frame 28, group</b> ... ..						1	—		
2530	A.177853	<b>Angle</b> ... ..						2	DTD.610	MR/C	JB.9
6040	A.201621	<b>Angle</b> , joint, port						1	L.72	MR/C	JB.9
6041	A.201620	<b>Angle</b> , joint, starboard						1	L.72	MR/C	JB.9
6042	A.200873	<b>Angle</b> , joint, port						1	L.72	MR/C	
6043	A.200872	<b>Angle</b> , joint, starboard						1	L.72	MR/C	
2532	D.177850/4	<b>Bottom portion</b>						1	DTD.610	MR/C	JB.9
2533	B.177852	<b>Channel</b> , reinforcing						1	DTD.610	MR/C	JB.9
	D.200961	<b>Frame 29, forward portion, group</b> ... ..						1	—		
2534	D.177532/4	<b>Bottom portion of frame</b> ... ..						1	DTD.610	MR/C	JB.9
	D.177533	<b>Frame 29, rear portion, group</b> ... ..						1	—		
2535	D.177533/4	<b>Bottom portion of frame</b> ... ..						1	DTD.610	MR/C	JB.9
2536	B.177537	<b>Stiffener</b> , bottom						1	DTD.610	MR/C	JB.4
2537	B.177536	<b>Stiffener</b> , bottom						1	DTD.610	MR/C	JB.9
	D.177531	<b>Frame 30, group</b> ... ..						1	—		
2538	D.177531/4	<b>Bottom portion</b> ... ..						1	DTD.610	MR/C	JB.9

FUSELAGE—CENTRE PORTION

Ref. No.	Part No.	Description	No. Off					Material Specification	M.R. Class of Store	Place No.
			1	2	3	4	5			
	D.177547	<b>Frame 31, group</b> ... ..						—		
4710	F.177681	<b>Angle</b> ... ..						DTD.610	C.	
2539	D.177547/4	<b>Bottom portion</b> ... ..						DTD.610	MR/C	JB.9
4711	D.177547/5	<b>Stiffener, bottom, port</b> ... ..						DTD.610	MR/C	
4712	D.177547/6	<b>Stiffener, bottom, starboard</b> ... ..						DTD.610	MR/C	
	E.178937	<b>Frame 32, rear spar, group</b> ... ..						—		
2540	A.178974	<b>Angle, at lower portion of frame</b> ... ..						DTD.610	MR/C	JB.9
2541	A.178966	<b>Angle, for attaching tank skin, port</b> ... ..						DTD.610	MR/C	JB.9
2542	A.178967	<b>Angle, for attaching tank skin, starboard</b> ... ..						DTD.610	MR/C	JB.9
2543	B.179420	<b>Angle, at lower portion of frame and inner channel</b> ... ..						DTD.610	MR/C	JB.9
2544	B.178961	<b>Angle, for attaching tank skin, port</b> ... ..						DTD.610	MR/C	JB.9
2545	A.179456	<b>Angle, at bottom portion of frame (port only)</b> ... ..						DTD.610	MR/C	
2546	F.178976	<b>Angle, for attaching tank skin, starboard</b> ... ..						DTD.610	MR/C	JB.9
986	A.180777	<b>Block, for gear box mounting</b> ... ..						Stamping	C.	JB.9
987	A.179999	<b>Block, for gear box mounting</b> ... ..						Stamping	C.	JB.9
3827	Std.1551/7/265	<b>Bolt, at top fork fitting</b> ... ..						S.99.B	MR/C	5
3828	Std.1551/7/270	<b>Bolt, at top fork fitting</b> ... ..						S.99.B	MR/C	5
84	Std.1551/7/245	<b>Bolt, at top fork fitting</b> ... ..						S.99.B	C.	5
3829	Std.1551/7/215	<b>Bolt, at top and bottom fork fittings</b> ... ..						S.99.B	MR/C	5
3830	Std.1551/7/260	<b>Bolt, at top and bottom fork fittings</b> ... ..						S.99.B	MR/C	5
3831	Std.1551/7/205	<b>Bolt, at top and bottom fork fittings</b> ... ..						S.99.B	MR/C	5
2547	F.180826	<b>Bolt, special, at bottom fork fitting</b> ... ..						S.99.B	MR/C	JB.9
2548	B.178955	<b>Boom, forward, bottom outer</b> ... ..						DTD.361	MR/C	JB.9
2549	B.178956	<b>Boom, rear, bottom, outer</b> ... ..						DTD.364	MR/C	JB.9
2550	D.178943	<b>Boom, rear outer, port</b> ... ..						DTD.364	MR/C	JB.9
2551	D.178944	<b>Boom, rear outer, starboard</b> ... ..						DTD.364	MR/C	JB.9
2552	D.178945	<b>Boom, forward, outer, port</b> ... ..						DTD.364	MR/C	JB.9
2553	D.178946	<b>Boom, forward, outer, starboard</b> ... ..						DTD.364	MR/C	JB.4
	C.178949	<b>Boom, forward, inner, port</b> ... ..						DTD.364		
	C.178950	<b>Boom, rear, inner, port</b> ... ..						DTD.364		
	B.178951	<b>Boom, forward, inner, starboard</b> ... ..						DTD.364		
	B.178952	<b>Boom, rear, inner, starboard</b> ... ..						DTD.364		
983	A.180990	<b>Bracket, steady, for gear box</b> ... ..						Stamping	C.	JB.9
2554	A.179994	<b>Channel, at lower portion of frame</b> ... ..						DTD.610	MR/C	JB.9
2555	A.179370	<b>Channel, at lower portion of frame, port</b> ... ..						DTD.610	MR/C	
2556	A.179373	<b>Channel, at lower portion of frame, starboard</b> ... ..						DTD.610	MR/C	
2557	A.179374	<b>Channel, at lower portion of frame</b> ... ..						DTD.610	MR/C	
2558	A.179993	<b>Channel, at lower portion of frame</b> ... ..						DTD.160	MR/C	
2559	A.179990	<b>Channel, at lower portion of frame</b> ... ..						DTD.610	MR/C	JB.9
2560	A.179451	<b>Channel, at lower portion of frame</b> ... ..						DTD.610	MR/C	
2561	A.179991	<b>Channel, at lower portion of frame</b> ... ..						DTD.610	MR/C	JB.9
	B.178958	<b>Channel, bottom, inner</b> ... ..						DTD.364		
2562	A.179376	<b>Channel, below bottom fork fitting</b> ... ..						DTD.610	MR/C	JB.9
2563	A.179995	<b>Channel, for gear box mounting</b> ... ..						S.3	MR/C	JB.9
2564	A.179996	<b>Channel, for gear box mounting</b> ... ..						S.3	MR/C	JB.9
2565	A.179997	<b>Channel, for gear box mounting</b> ... ..						S.3	MR/C	JB.9
4206	B.183479	<b>Channel, for gear box mounting</b> ... ..						S.3	MR/C	JB.9
4713	A.196973	<b>Channel, blanking, for sealing at lower portion of frame</b> ... ..						DTD.610	MR/C	JB.9
4714	A.196974	<b>Channel, blanking, for sealing at lower portion of frame</b> ... ..						DTD.610	MR/C	
	A.180534	<b>Cover, for bolts, upper, port</b> ... ..						DTD.610		
	A.180535	<b>Cover, for bolts, upper, starboard</b> ... ..						DTD.610		
	A.180536	<b>Cover, for bolts, lower, port</b> ... ..						DTD.610		
	A.180537	<b>Cover, for bolts, lower, starboard</b> ... ..						DTD.610		

FUSELAGE—CENTRE PORTION

Ref. No.	Part No.	Description					No. Off	Material Specification	M.R. Class of Store	Plate No.
		1	2	3	4	5				
	C.180497						1	Stamping		
	C.180498						1	Stamping		
	C.180495						1	Stamping		
	C.180496						1	Stamping		
2566	F.180092						2	DTD.610	MR/C	JB.9
2567	A.178971						2	DTD.166	MR/C	JB.9
2568	A.178972						2	DTD.166	MR/C	JB.9
2569	A.178973						4	DTD.166	MR/C	
2570	C.180089						1	DTD.166	MR/C	JB.9
2571	C.180090						1	DTD.166	MR/C	JB.9
2572	F.178981						2	S.3	MR/C	JB.9
	C.197248						—	—		
4634	F.197153						1	LFS.21	C.	
4635	F.197154						1	LFS.21	C.	
4636	F.197155						1	LFS.21	C.	
4637	F.197156						1	LFS.21	C.	
4638	F.197157						1	LFS.21	C.	
4639	F.197158						1	LFS.21	C.	
4640	F.197159						1	LFS.21	C.	
4641	F.197160						1	LFS.21	C.	
4642	F.197161						1	LFS.21	C.	
4643	F.197162						2	LFS.29	C.	
4644	F.196784						6	DTD.610	C.	
4645	F.197058						2	DTD.610	C.	
990	F.180319						QR	Laminated Sheet	C.	
2470	F.178982						3	S.1 & S.3	MR/C	
989	F.180664						1	DTD.364	C.	JB.9
2573	D.178939						1	DTD.610	MR/C	JB.9
2574	D.178940						1	DTD.610	MR/C	JB.9
2575	D.178941						1	DTD.610	MR/C	JB.9
2576	D.178942						1	DTD.610	MR/C	JB.9
	B.205513						1	—		
4874	F.195549						4	DTD.610	MR/C	JB.10
4785	F.196959						1	DTD.610	MR/C	
2577	D.176661/2						1	DTD.610	MR/C	JB.10
2578	D.176661/3						1	DTD.610	MR/C	JB.10
2579	F.176665						2	DTD.610	MR/C	JB.10
4211	Std.1687/2						2	DTD.610	C.	5
	A.220932						1	—		
2589	F.190388						1	DTD.610	MR/C	JB.10
2590	F.190389						1	DTD.610	MR/C	JB.10
2591	A.190334						1	DTD.610	MR/C	JB.10
2592	A.190335						1	DTD.610	MR/C	JB.10
4030	A.196370						1	DTD.610	MR/C	
4785	F.196959						1	DTD.610	MR/C	
8227	B.214195						1	—	MR/C	JB.10
4715	F.197167						1	S.3	MR/C	
2582	A.177104						2	DTD.546	MR/C	JB.10
2581	A.177105						2	DTD.546	MR/C	

Hunter T. Mk. 7  
Issued with A/L No. 3

## FUSELAGE-CENTRE PORTION

Ref. No.	Part No.	Description					No. Off	Material Specification	M.R. Class of Store	Plate No.
		1	2	3	4	5				
2583	D.177095/6						1	DTD.364	MR/C	JB.10
2584	D.177095/1						1	DTD.610	MR/C	JB.10
2585	D.177095/2						1	DTD.610	MR/C	JB.10
2586	D.177095/3						1	DTD.610	MR/C	JB.10
2587	D.177095/4						1	DTD.610	MR/C	JB.10
2588	F.177101						4	S.96.B	MR/C	
2593	A.179364						1	S.3	MR/C	
993	F.177106						1	S.3	C.	JB.10
2594	C.177096						2	DTD.610	MR/C	JB.10
2595	C.177097						2	DTD.610	MR/C	JB.10
2596	A.177100						2	DTD.610	MR/C	JB.10
2597	F.177108						4	DTD.610	MR/C	JB.10
	F.196368						2	DTD.610	—	
—	Std.1509/23/084						4	T.4	—	
—	Std.1509/3/112						1	T.4	—	4
3729	Std.184/11B						4	S.2	MR/C	4
	B.220966						1	—		
2598	D.178028/4						1	DTD.610	MR/C	JB.10
2599	D.178028/5						1	DTD.610	MR/C	JB.10
	D.178029						1	—		
2600	D.178029/4						1	DTD.610	MR/C	JB.10
2601	D.178029/5						1	DTD.610	MR/C	JB.10
	F.219864						1	S.3 & S.21		
	F.219863						1	S.3 & S.21		JB.10
	F.219862						1	M. Steel		
	F.219865						1	M. Steel		
4297	Std.843/11						1	DTD.610	MR/C	4
	F.219861						1	—		JB.10
	F.219860						1	—		JB.10
4211	Std.1687/2						1	DTD.610	C.	5
2795	F.190690						1	Durestos FEROBESTOS	MR/C	
	D.175981						1	—		
2796	D.175981/4						1	DTD.610	MR/C	JB.10
2797	D.175981/5						1	DTD.610	MR/C	JB.10
2798	A.175984						1	DTD.610	MR/C	JB.10
	A.220498						1	L.72		JB.10
8237	A.204563						1	L.72	MR/C	JB.10
	B.191742						1	DTD.610		
6045	B.203505						1	S.3	MR/C	
2800	D.175981/3						1	DTD.610	MR/C	JB.10
2801	F.175986						2	DTD.610	MR/C	JB.10
2802	A.175983						1	DTD.166	MR/C	JB.10
2803	C.175982						1	DTD.166	MR/C	JB.10
	F.204568						1	L.72		
4211	Std.1687/2						1	DTD.610	C.	5

RESTRICTED

Hunter T. Mk. 7  
Issued with A/L No. 3

## FUSELAGE—CENTRE PORTION

Ref. No.	Part No.	Description	1 2 3 4 5					No. Off	Material Specification	M.R. Class of Store	Place No.
			1	2	3	4	5				
	D.176012	Frame 38, group ... ..						1	—		
2804	D.176012/5	Angle, lower, centre ... ..						1	DTD.610	MR/C	JB.10
2805	D.176012/9	Angle, lower, port ... ..						1	DTD.610	MR/C	JB.10
4036	D.176012/10	Angle, lower, starboard ... ..						1	DTD.610	MR/C	JB.10
4008	F.195286	Angle, port ... ..						1	DTD.610	MR/C	JB.10
4009	F.195287	Angle, starboard ... ..						1	DTD.610	MR/C	JB.10
2806	D.176012/4	Bottom portion ... ..						1	DTD.610	MR/C	JB.10
	D.176255	Frame 39, top portion ... ..						1	DTD.610		
	D.176256	Frame 39, bottom portion, group ... ..						1	—		
2807	D.176256/2	Angle, lower, port ... ..						1	DTD.610	MR/C	JB.10
2808	D.176256/3	Angle, lower, starboard ... ..						1	DTD.610	MR/C	JB.10
2809	D.176256/1	Diaphragm, lower ... ..						1	DTD.610	MR/C	JB.10
2810	B.176254	Plate, reinforcing ... ..						1	DTD.610	MR/C	JB.10
	F.196368	Plate, locating flame switch cable ... ..						1	DTD.610		
4211	Std.1687/2	Saddle, securing cables ... ..						9	DTD.610	C.	5
	E.175941	Frame 40A, group ... ..						2	—		
	A.175938	Angle, attachment, at engine mounting fitting, port ... ..						2	DTD.364		
	A.175939	Angle, attachment, at engine mounting fittings, starboard ... ..						2	DTD.364		
1264	F.163972	Angle, at transport joint fittings ... ..						8	DTD.364	C.	
1765	F.191864	Angle, at transport joint fittings ... ..						22	DTD.364	C.	JB.3
4716	A.196782	Channel, sealing, at bottom portion of frame, port ... ..						1	DTD.610	MR/C	
4717	A.196783	Channel, sealing, at bottom portion of frame, starboard ... ..						1	DTD.610	MR/C	
2811	E.175941/3	Diaphragm, forward, starboard ... ..						1	DTD.610	MR/C	JB.10
2812	E.175941/4	Diaphragm, rear, starboard ... ..						1	DTD.610	MR/C	JB.10
2813	E.175941/5	Diaphragm, forward, port ... ..						1	DTD.610	MR/C	JB.10
2814	E.175941/6	Diaphragm, rear, port ... ..						1	DTD.610	MR/C	JB.10
1003	B.177308	Fitting, for rear transport joint ... ..						4	Stamping	C.	JB.10
1004	B.177306	Fitting, for rear transport joint ... ..						7	Stamping	C.	JB.3
1005	B.177307	Fitting, for rear transport joint ... ..						4	Stamping	C.	JB.10
	B.166524	Fitting, for engine mounting, at centre of frame ... ..						2	Stamping		
2815	B.177323	Lug, for engine rail ... ..						1	Stamping	MR/C	JB.6
2816	F.175844	Plate, nut, at bottom centre of frame ... ..						1	—	MR/C	JB.10
2817	E.175941/9	Strap ... ..						1	DTD.601	MR/C	JB.10
—	Std.1509/24/150	Tube, distance, $\frac{3}{8}$ " o/d $\times$ 17 s.w.g. $\times$ 1.5" long (Make from 30B/557)						60	T.4	—	
	B.196633-4	<b>MOUNTING, FOR SUPPRESSOR, ASSEMBLY</b>						—	—		
4010	F.196834	Angle, support, at stringer, "K," port ... ..						2	DTD.364	MR/C	JB.3
4011	F.196835	Angle, support, at stringer "K," starboard ... ..						2	DTD.364	MR/C	JB.3
4012	F.196644	Angle, support, at stringer "J" ... ..						4	DTD.364	MR/C	JB.3
4013	B.196636	Rail, assembly, port, group ... ..						1	—	MR/C	JB.3
4014	B.196637	Rail, assembly, starboard, group ... ..						1	—	MR/C	JB.3
—	Aerolex F.48.7.508	Pin, quick release (Use 28FP/15) ... ..						1	—	—	
	C.188601	<b>MOUNTING, FOR COLD AIR UNIT, ASSEMBLY</b>						—	—		
2822	F.188604	Angle ... ..						2	DTD.610	MR/C	
2823	F.188605	Angle ... ..						2	DTD.610	MR/C	
2824	B.188602	Channel, inboard ... ..						1	DTD.610	MR/C	JB.3
2825	B.188603	Channel, outboard ... ..						1	DTD.610	MR/C	JB.3

RESTRICTED

FUSELAGE-CENTRE PORTION

Ref. No.	Part No.	Description	No. Off					Material Specification	M.R. Class of Store	Plate No.
			1	2	3	4	5			
	C.192896	<b>MOUNTING, FOR HIGH ENERGY IGNITION UNITS, ASSEMBLY</b>								
5812	A.197467	Angle, support, lower ... ..					1	DTD.610	C.	
5813	A.197466	Angle, support, upper ... ..					1	DTD.610	C.	
2827	F.192898	Bracket, support, at upper mounting ... ..					2	DTD.610	MR/C	
2829	A.192897	Bracket, support, at upper mounting ... ..					1	DTD.610	MR/C	JB.3
	D.191929	<b>OUTLET, FOR STARTER EXHAUST, ASSEMBLY</b>								
1766	A.192787	Bracket, attachment ... ..					1	S.3	C.	JB.5
—	Aerolex F.48.7.411	Pin, quick release (Use 28FP/6) ... ..					1	—	—	
2736	C.195168	Plate, sealing ... ..					1	S.3	C.	JB.5
2734	A.195012	Sleeve, flexible, for sealing starter exhaust ... ..					1	Moulded Silicone	C.	JB.5
2735	F.191935	Strip, retaining ... ..					1	S.3	MR/C	JB.5
1768	B.191932	Tube, exhaust ... ..					1	—	B.	JB.5
	E.201817	Panel, support, for centre tank, group ... ..					1	—		
996	F.182738	Bolt, special ... ..					48	S.95	C.	JB.6
8468	E.220789	Panel, support, detachable, for centre tank, port, group					1	—	B.	JB.6
994	B.184014	Panel, side, port, group ... ..					1	DTD.610	C.	JB.6
28FP/146	Dzus A4.25	Fastener ... ..					4	—	C.	
	F.182656	Plate, joint, top ... ..					1	DTD.610		
	F.182657	Plate, joint, centre ... ..					1	DTD.610		
	F.182658	Plate, joint, centre ... ..					1	DTD.610		
	F.182659	Plate, joint, centre ... ..					2	DTD.610		
28FP/329	Dzus S4.200	Spring ... ..					10	—	C.	
8469	E.220790	Panel, support, detachable, for centre tank, starboard, group					1	—	B.	JB.6
995	B.184015	Panel, side, starboard, group ... ..					1	DTD.610	C.	JB.6
28FP/147	Dzus A4.30	Fastener ... ..					2	—	C.	
28FP/148	Dzus A4.35	Fastener ... ..					2	—	C.	
	F.182657	Plate, joint, centre ... ..					1	DTD.610		
	F.182658	Plate, joint, centre ... ..					1	DTD.610		
	F.182659	Plate, joint, centre ... ..					2	DTD.610		
28FP/329	Dzus S4.200	Spring ... ..					8	—	C.	
8470	C.220791	Panel, for centre tank detachable support panel group					1	DTD.610	B.	JB.6
28FP/147	Dzus A4.30	Fastener ... ..					4	—	C.	
27FP/329	Dzus S4.200	Spring ... ..					3	—	C.	
1000	A.183303	Panel, top, group ... ..					1	DTD.610	C.	JB.6
28FP/146	Dzus A4.25	Fastener ... ..					4	—	C.	
997	F.183770	Plate, nut, port ... ..					1	S.3	C.	JB.6
998	F.183771	Plate, nut, starboard ... ..					1	S.3	C.	JB.6
1001	C.183768	Ring, sealing, at forward end, port, group ... ..					1	DTD.610	C.	JB.6
1002	C.183769	Ring, sealing, at forward end, starboard, group ... ..					1	DTD.610	C.	JB.6
28FP/147	Dzus A4.30	Fastener ... ..					21	—	C.	

## FUSELAGE-CENTRE PORTION

Ref. No.	Part No.	Description	No. Off					Material Specification	M.R. Class of Store	Plate No.
			1	2	3	4	5			
9501	B.213427	Panel, access, for main fuel tank, port, group ...	1					B.	JB.1	
	A.211662	Bracket, mounting ... ..	1				DTD 364			
	A.211663	Bracket, mounting ... ..	1				DTD.364			
7836	C.210032	Panel, access, for main tank, starboard, group ...	1				—	B.	JB.1	
	F.200150	Bracket, support, for strap ... ..	4				L.72			
	F.207759	Guard, cable (Port only) ... ..	1				—			
	A.200153	Strap ... ..	2				Webbing			
6046	F.203116	Plate, blanking, at frame 37 ... ..	2				S.3	MR/C		
9909	F.231539	Plug (AS.760/83) ... ..	2				L.65C	C.		
	B.176816	<b>RAIL, FOR ENGINE, ASSEMBLY</b> ... ..	—				—			
2737	B.166532	Mounting, for engine rail ... ..	1				Stamping	MR/C	JB.4	
2738	B.176175	Rail ... ..	1				DTD.364	MR/C	JB.6	
—	Std.1509/23/034	Tube, distance, $\frac{1}{16}$ " o/d $\times$ 17 s.w.g. $\times$ 0.34" long (Make from 30B/556)	4				T.4	—		
3811	Std.1547/32/12	Washer, for rear end joint ... ..	2				DTD.610	MR/C	4	
2739	A.176169	Web, forward, port ... ..	1				DTD.610	MR/C	JB.6	
2740	A.176170	Web, forward, starboard ... ..	1				DTD.610	MR/C	JB.6	
2741	A.176171	Web, centre, port ... ..	1				DTD.610	MR/C	JB.6	
2742	A.176172	Web, centre, starboard ... ..	1				DTD.610	MR/C	JB.6	
2743	A.176173	Web, aft, port ... ..	1				DTD.610	MR/C	JB.6	
2744	A.176174	Web, aft, starboard ... ..	1				DTD.610	MR/C	JB.6	
	C.189596	<b>SEALING PLATE, FOR STRINGERS AT FRAMES 37, ASSEMBLY</b> ... ..	—				—			
4462	F.189599	Sealing, at stringer "C" ... ..	2				Plastic	MR/C	JB.10	
4466	F.189684	Sealing, at stringer "D" ... ..	2				Plastic	MR/C	JB.10	
4465	F.189602	Sealing, at stringer "E" ... ..	2				Plastic	MR/C	JB.10	
4463	F.189600	Sealing, at stringer "F" ... ..	2				Plastic	MR/C	JB.10	
4464	F.189601	Sealing, at stringer "F" ... ..	2				Plastic	MR/C	JB.10	
4455	F.189603	Sealing, at stringer "G" ... ..	2				Plastic	MR/C	JB.10	
4456	F.189604	Sealing, at stringer "H," port ... ..	1				Plastic	MR/C	JB.10	
4457	F.189605	Sealing, at stringer "J" ... ..	2				Plastic	MR/C		
4458	F.189606	Sealing, at stringer "K" ... ..	2				Plastic	MR/C		
4015	F.195812	Shim, at engine mounting channel, frame 40A ...	2				Brass Laminum	C.		
	E.200955	<b>SKIN, COVERING, ASSEMBLY</b> ... ..	—				—			
4718	A.196875	Bracket, mounting, for engine pump non-return valve, between frames 33 and 34	1				DTD.610	MR/C		
6047	A.201094	Bracket, mounting, at frame 31 ... ..	3				L.72	MR/C		
4648	F.192047	Clip, securing hydraulic pipes, between frames 36 and 37	1				S.84	C.		
4649	F.193862	Clip, securing hydraulic pipes, between frames 33 and 34	2				S.84	C.		
	E.234967	<b>DUCT, COOLER EXIT, PORT, SUB- ASSEMBLY (Mod. 804)</b> ... ..	—				—			
	E.234968	<b>DUCT, COOLER EXIT, STARBOARD SUB-ASSEMBLY (Mod. 804)</b> ... ..	—				—			
	B.180907	Duct, fixed, port ... ..	1				L.16			
	B.180908	Duct, fixed, starboard ... ..	1				L.16			
10141	C.233302	Duct, exit (Mod. 804) ... ..	2				—	C.	JB.6	
10142	C.233317	Fairing, for duct exit (Mod. 804) ... ..	2				L.59	C.	JB.6	
	A.180727	Landing, for panel, port ... ..	1				DTD.610			
	A.180728	Landing, for panel, starboard ... ..	1				DTD.610			
1010	B.180863	Panel, port ... ..	1				DTD.610	C.	JB.6	

FUSELAGE—CENTRE PORTION

Ref. No.	Part No.	Description					No. Off	Material Specification	M.R. Class of Store	Plate No.
		1	2	3	4	5				
1011	B.180864						1	DTD.610	C.	JB.6
3843	King Aircraft Corp. C3903/1						4	—	C.	JB.5
3844	King Aircraft Corp. C3903/2						1	—	C.	JB.5
3845	King Aircraft Corp. C3903/3						1	—	C.	JB.5
	C.187577						1	—		
	C.187578						1	—		
1007	C.188060						2	S.3	C.	JB.1
2745	C.180542						1	DTD.610	MR/C	JB.2
2746	C.180543						1	DTD.610	MR/C	JB.2
2747	C.186937/1						1	DTD.610	MR/C	JB.2
6048	C.186937/2						1	DTD.610	MR/C	JB.2
2748	C.186938/1						1	DTD.610	MR/C	JB.2
	B.204979						—	—		
	F.184598						2	Stamping		
	A.184835						1	S.3 & S.21		
	A.184836						1	S.3 & S.21		
1024	King Aircraft Corp. C.3100						6	—	C.	JB.5
2749	A.186459						2	—	MR/C	JB.3
6049	F.197018						2	DTD.610	MR/C	
1023	F.173505						16	S.3 & S.21	C.	JB.2
2750	A.187454						2	DTD.546	MR/C	JB.2
2751	C.184586						1	DTD.546 & DTD.610	MR/C	JB.2
2752	C.184587						1	DTD.546 & DTD.610	MR/C	JB.2
	C.199414						—	—		
6050	C.199414/2						1	DTD.166	MR/C	
4242	Std.1231/7						1	S.3	C.	4
6051	C.199414/3						1	L.72	MR/C	
6052	C.199414/1						1	L.72	MR/C	JB.5

## FUSELAGE—CENTRE PORTION

Ref. No.	Part No.	Description	No. Off	Material Specification	M.R.	Plate No.		
					Class of Score			
		1	2	3	4	5		
5711	A.197762	Plate, re-inforcing, for relief valve support tube	4	DTD.610	MR/C			
1009	F.184599	Ring, reinforcing ... ..	1	DTD.610	C.	JB.2		
4211	Std.1687/2	Saddle, for clipping fuel contents cable ... ..	4	DTD.610	C.	5		
1025	King Aircraft Corp. D30£0/2	Screw, locking ... ..	6	—	C.	JB.5		
9402	A.221538	Sealing, for hydraulic reservoir access ... ..	1	Rubber	C.	JB.2		
	E.183424	<b>SKIN COVERING, TOP PORTION, SUB-ASSEMBLY</b>	—	—				
2756	A.192906	Bracket, mounting, for tank pressurising connection	1	DTD.610	MR/C	JB.2		
2757	B.193594	Bracket, mounting, between frames 39 and 40A	1	DTD.610	MR/C	JB.2		
	A.220936	Bracket, mounting, C48 cable at frame 40A (Mod. 629)	1	L.72				
	C.188312-3	<b>LANDING, FOR BLEED VALVE EXHAUST, ASSEMBLY</b>	—	—				
2753	B.188314	Landing, port ... ..	1	DTD.610	MR/C	JB.2		
2754	B.188315	Landing, starboard ... ..	1	DTD.610	MR/C	JB.2		
2755	C.181728	Landing, for fuel level switch access panel, port	2	DTD.610	MR/C	JB.2		
—	F.205515	Sealing, at transport joint, frame 18 ... .. (Make from 32C/574, Q.R.)	2	Rubber	—			
	E.183421	<b>SKIN COVERING, BOTTOM PORTION, SUR-ASSEMBLY</b>	—	—				
6053	A.204966	Angle, stiffening ... ..	1	L.72	MR/C			
	A.215063	Bracket, mounting, for fuel filter de-icing solenoid	1	—				
4719	A.197061	Bracket, for cable C3 and C4, also TS3 and TS4	1	DTD.610	MR/C			
4600	F.201722	Catch, for starter access door stay ... ..	1	L.72	C.			
2758	F.189545	Connection, for centre fuel tank drain pipes	1	L.16 & L.54	MR/C	JB.5		
1773	A.192320	Connection, end, for overboard drain and starter exhaust outlet	1	T.35	C.	JB.5		
3370	F.184563	Landing, for fuel pump access panel, port ...	1	DTD.610	MR/C	JB.5		
3371	F.184564	Landing, for fuel pump access panel, starboard	1	DTD.610	MR/C	JB.5		
	A.182100	Landing, at stringer 'M' ... ..	1	DTD.610				
	A.183429	Landing, for gearbox access door ... ..	1	DTD.610				
	A.183430	Landing, for gearbox access door ... ..	1	DTD.610				
2759	A.183418	Landing, for engine access door, frame 34, starboard	1	L.72	MR/C	JB.5		
2760	A.183419	Landing, for engine access door, frame 34, port	1	L.72	MR/C	JB.5		
2761	A.183428	Landing, for engine access door, frame 37 ...	1	L.72	MR/C	JB.5		
4275	B.183416	Landing, for engine access door, frame 34 and 37, port	1	DTD.610	MR/C			
2762	B.183417	Landing, for engine access door, frame 34 and 37, starboard	1	DTD.610	MR/C	JB.5		
2763	B.183431	Landing, for engine starter access door ...	1	DTD.610	MR/C			
1774	B.188562/A	Pipe, drain, for combustion chamber and turbine, group	1	—	C.	JB.6		
	B.188562/2	Consisting of :— Bracket, support ... ..	1	DTD.283 or DTD.265				
	B.188562/1	Pipe, $\frac{3}{8}$ " o/d x 22 S.W.G. ... ..	1	DTD.253				
	B.188562/3	Ring ... ..	1	DTD.283 or DTD.265				

FUSELAGE-CENTRE PORTION

Ref. No.	Part No.	Description					No. Off	Material Specification	M.R. Class of Store	Plate No.
		1	2	3	4	5				
	B.192037									
1775	B.191931						1	S.3	C.	JB.5
1776	A.192788						1	DTD.571	C.	JB.5
2764	C.182823						1	DTD.610	MR/C	JB.5
2156	C.182824						1	DTD.610	MR/C	JB.5
2157	C.182692						1	DTD.546	MR/C	JB.5
2158	C.182693						1	DTD.546	MR/C	JB.5
2765	F.194029						2	S.3	MR/C	
2159	C.183432						1	DTD.610	MR/C	
2160	C.183433						1	DTD.610	MR/C	
	A.182101						1	DTD.610		
2161	F.189753						1	DTD.610	MR/C	
1833+	E.183421/1						1	DTD.610	B.	JB.1
1834+	E.183421/2						1	DTD.610	B.	JB.1
2162	E.183421/3						1	DTD.610	MR/B	JB.1
2163	E.183421/4						1	DTD.610	MR/B	JB.1
2164	B.184367						1	DTD.610	MR/C	JB.4
2165	B.184368						1	DTD.610	MR/C	JB.4
2166	B.184366						1	DTD.610	MR/C	JB.4
	F.184369						3	DTD.610		
	F.184370						3	DTD.610		
	D.186527									
5855	A.205075						1	—	C.	JB.7
2167	A.188887						1	Stamping	MR/C	JB.7
2168	A.188888						1	Stamping	MR/C	
2171	A.189447						1	L.72	MR/C	
2172	A.189446						1	L.72	MR/C	
2147	Std.915/C/20						6	DTD.610	C.	4
2173	E.183420/1						1	DTD.546	MR/B	JB.2
2174	E.183420/2						1	DTD.546	MR/B	JB.2
1825	E.183420/3						1	DTD.546	B.	JB.2
1826	E.183420/4						1	DTD.546	B.	JB.2
1827	E.183420/5						1	DTD.546	B.	JB.2
1828	E.183420/6						1	DTD.546	B.	JB.2
4529	E.200955/1						1	DTD.546	B.	JB.2
4530	E.200955/2						1	DTD.546	B.	JB.2
4531	E.200955/3						1	DTD.546	B.	JB.2
4532	E.200955/4						1	DTD.546	B.	JB.2
2177	E.183420/13						1	DTD.610	MR/B	JB.2
2178	E.183420/14						1	DTD.610	MR/B	JB.2
1831	E.183420/15						1	DTD.610	B.	JB.2
1832	E.183420/16						1	DTD.610	B.	JB.2
9401	F.221636						2	S.3 & T.26	C.	

## FUSELAGE—CENTRE PORTION

Ref. No.	Part No.	Description					No. Off	Material Specification	M.R. Class of Store	Plate No.
		1	2	3	4	5				
	C.205785-6	<b>STOP, FOR UNDERCARRIAGE FAIRING DOOR AND SEQUENCE VALVE MOUNTING, SUB-ASSEMBLY</b>					-	-		
5177	B.201691	Bracket, forward, port (8 morse No. 21 holes omitted)					1	L.72	C.	JB.2
5178	B.201692	Bracket, forward, starboard (8 morse No. 21 holes)					1	L.72	C.	JB.2
5179	B.201693	Bracket, aft, port (8 morse No. 21 holes) ...					1	L.72	C.	JB.2
5180	B.201694	Bracket, aft, starboard (8 morse No. 21 holes)					1	L.72	C.	JB.2
5815	A.189625	Bracket, mounting, for sequence valve, port					1	DTD.610	C.	JB.2
5816	A.189626	Bracket, mounting, for sequence valve, starboard					1	DTD.610	C.	JB.2
5732	A.201677	Bracket, reinforcing, port ... ..					1	S.3	MR/C	JB.2
5733	A.201678	Bracket, reinforcing, starboard ... ..					1	S.3	MR/C	JB.2
5734	C.201673	Bracket, lower, forward, port ... ..					1	L.72	MR/C	JB.2
5735	C.201674	Bracket, lower, forward, starboard ... ..					1	L.72	MR/C	JB.2
5736	C.201675	Bracket, lower, aft, port ... ..					1	L.72	MR/C	JB.2
5737	C.201676	Bracket, lower, aft, starboard ... ..					1	L.72	MR/C	JB.2
5738	A.202891	Bracket, guide, port ... ..					1	DTD.364 & St. St.	MR/C	JB.2
5739	A.202892	Bracket, guide, starboard ... ..					1	DTD.364 & St. St.	MR/C	JB.2
1021	A.189619	Lever, operating sequence valve, port ...					1	-	C.	JB.2
	A.192328									
1022	A.189620	Lever, operating sequence valve, starboard ...					1	-	C.	JB.2
	A.192329									
1014	F.189628	Rod, operating ... ..					2	S.95.B	C.	JB.2
1013	F.189627	Screw, special ... ..					2	S.95.B	C.	JB.2
4650	F.198997	Screw, special, for stop adjustment ... ..					2	S.95.B	C.	JB.2
1015	F.189629	Stop, at top of operating rod ... ..					2	S.95.B	C.	JB.2
4651	F.196854	Stud, special ... ..					2	S.3 & S.21	C.	JB.2
1016	F.187086	Trunnion ... ..					2	S.94.B	C.	JB.2
	Std.1507/23/032	Tube, distance, $\frac{5}{8}$ " o/d $\times$ 17 SWG $\times$ 0.32" long					2	T.26		
	C.205785/1	Tube, distance (may be made from 1567/23/060)					2	T.26		
26FH/3474	Std.1547/20/12	Washer, for guide bracket ... ..					6	DTD.364	MR/C	4
2179	E.183420/18	Strap, bottom, at frame 34 ... ..					1	DTD.610	MR/C	JB.4
2180	D.182826	Strap, reinforcing, at frame 21, bottom portion					1	DTD.546	MR/C	JB.34
2183	C.182636	Strap, reinforcing, at rear spar, bottom portion					1	DTD.546	MR/C	JB.4
2181	C.182631	Strap, reinforcing, at main spar, bottom portion, port					1	DTD.546	MR/C	JB.4
2182	C.182632	Strap, reinforcing, at main spar, bottom portion, starboard					1	DTD.546	MR/C	JB.4
	C.197867	<b>TRAY, DRIP, FOR HYDRAULIC RESERVOIR, ASSEMBLY</b>					-	-		
	F.197869	Socket ... ..					1	S.3 & T.26		
	B.197868	Tray, drip ... ..					1	L.59 & L.54		
	B.199734	Vent-pipe, for wheel case breather, group ...					1	-		
5817	A.193564	Sleeve ... ..					1	T.45 & S.3	C.	JB.7
1753	A.192205	Spring ... ..					1	SP. St.	C.	JB.7
1752	A.192204	Vent-pipe ... ..					1	S.3	C.	JB.7

FUSELAGE—CENTRE PORTION

Ref. No.	Part No.	Description	No. Off	Material Specification	M.R. Class of Store	Plate No.
	E.182426	<b>SKIN, SUPPORTING, FOR AIR INTAKE AND CENTRE FUEL TANK, ASSEMBLY</b>	—	—		
4720	F.194933	Angle, for attaching hydraulic pipes ... ..	1	DTD.610	MR/C	
	E.180947	<b>BRECHES—PIECE, ASSEMBLY ... ..</b>	—	—		
2184	B.189308	Ring, retaining sealing rubber at frame 29, aft	1	DTD.610	MR/C	JB.6
6758	A.213115	Ring, sealing, at frame 28, aft ... ..	1	Rubber	C.	JB.6
10925	B.181795	Trailing Edge, top ... ..	1	L.16	MR/C	
10926	B.181796	Trailing Edge, bottom ... ..	1	L.16	MR/C	
2185	C.178230	Diaphragm, at frame 28, group ... ..	—	—	MR/B	JB.7
	B.178235	Angle, port ... ..	1	DTD.546		
	B.178236	Angle, starboard ... ..	1	DTD.546		
	B.178231	Diaphragm ... ..	1	DTD.610		
	B.186121	Ring, supporting, port ... ..	1	DTD.610		
	B.186122	Ring, supporting, starboard ... ..	1	DTD.610		
2186	B.177538	Member, bottom, for frame 29, forward ... ..	1	DTD.166	MR/C	JB.7
2187	B.177539	Member, bottom, for frame 29, aft ... ..	1	DTD.166	MR/C	JB.7
6054	A.204325	Packing, at frame 29 ... ..	1	L.72	MR/C	
2188	B.182435	Stiffener, bottom, for frame 30 ... ..	1	DTD.610	MR/C	JB.7
2189	C.182434	Stiffener, bottom, for frame 31 ... ..	1	DTD.610	MR/C	JB.7
	E.200962	<b>SKINS, FOR CENTRE FUEL TANK, SUB-ASSEMBLY</b>	—	—		
4533	E.200962/3	Skin, forward bottom, port ... ..	1	DTD.610	B.	JB.3
4534	E.200962/4	Skin, forward bottom, starboard ... ..	1	DTD.610	B.	JB.3
2605	E.182428/7	Skin, aft bottom, port ... ..	1	DTD.610	MR/B	JB.3
2606	E.182428/8	Skin, aft bottom, starboard ... ..	1	DTD.610	MR/B	JB.3
	D.182430	<b>SKINS, LOWER, FOR CENTRE FUEL TANK AND PILOTS' FLOOR, SUB-ASSEMBLY</b>	—	—		
2607	B.182441	Angle, between frames 28 and 32 ... ..	1	DTD.610	MR/C	JB.7
7086	B.182443	Angle, between frames 28 and 32 ... ..	1	DTD.610	MR/C	JB.7
2608	B.182437	Ceiling, between frames 27 and 28, port ... ..	1	DTD.610	MR/C	JB.7
2609	B.182438	Ceiling, between frames 27 and 28, starboard ... ..	1	DTD.610	MR/C	JB.7
2610	D.182430/1	Diaphragm, forward, port ... ..	1	DTD.610	MR/C	JB.7
2611	D.182430/2	Diaphragm, aft, port ... ..	1	DTD.610	MR/C	JB.7
7084	D.182431/1	Diaphragm, forward, starboard ... ..	1	DTD.610	MR/C	JB.7
7085	D.182431/2	Diaphragm, aft, starboard ... ..	1	DTD.610	MR/C	JB.7
2612	D.182430/3	Floor, forward ... ..	1	DTD.610	MR/C	JB.7
2613	D.182430/4	Floor, aft ... ..	1	DTD.610	MR/C	JB.7
2614	B.182439	Trough, port ... ..	1	DTD.610	MR/C	JB.7
2615	B.182440	Trough, starboard ... ..	1	DTD.610	MR/C	JB.7
	D.180824-5	<b>SKIN, SUPPORTING, FORWARD FUEL TANK, ASSEMBLY</b>	—	—		
	D.180829	Skin, supporting centre wall, for front fuel tank port, group	1	—		
	D.180830	Skin, supporting centre wall, for front fuel tank starboard, group	1	—		
4721	F.195551	Angle, attaching hydraulic pipes... ..	1	DTD.610	MR/C	JB.7
2616	D.180829/8	Angle, for diaphragm, port ... ..	1	DTD.610	MR/C	JB.7
2617	D.180830/8	Angle, for diaphragm, starboard ... ..	1	DTD.610	MR/C	JB.7

FUSELAGE—CENTRE PORTION

Ref. No.	Part No.	Description	No. Off	Material Specification	M.R.	Plate No.
					Class of Store	
		1 2 3 4 5				
4722	F.197468	Bracket, mounting, for transfer pressure switch, balance pipes	1	—	MR/C	JB.7
2618	A.180855	Channel, supporting diaphragm ... ..	1	Rolled Section	MR/C	JB.7
2619	B.180845	Diaphragm, bottom aft ... ..	1	DTD.610	MR/C	JB.7
8221	B.215750	Diaphragm, bottom forward, port ... ..	1	DTD.610	MR/C	JB.7
2621	B.180844	Diaphragm, bottom forward, starboard ... ..	1	DTD.610	MR/C	JB.7
2622	F.182567	Plate, reinforcing, bottom portion ... ..	2	DTD.610	MR/C	JB.7
2623	A.193269	Plate, reinforcing, bottom portion ... ..	1	DTD.610	MR/C	JB.7
2624	F.192312	Plate, reinforcing, bottom portion, port ... ..	1	DTD.610	MR/C	JB.7
2625	F.192313	Plate, reinforcing, bottom portion, starboard ... ..	1	DTD.610	MR/C	JB.7
4211	Std.1687/2	Saddle, attaching electrical cables (port only)	3	DTD.610	C.	5
2626	B.178521	Stringer 'J,' nose spar to frame 21, port ... ..	1	DTD.364	MR/C	JB.4
2627	B.178522	Stringer 'J,' nose spar to frame 21, starboard ... ..	1	DTD.364	MR/C	JB.4
2628	C.178523	Stringer 'J,' frame 21 to main spar, port ... ..	1	DTD.364	MR/C	JB.4
2629	C.178524	Stringer 'J,' frame 21 to main spar, starboard ... ..	1	DTD.364	MR/C	JB.4
2630	C.178641	Stringer 'J,' main spar to rear spar, port ... ..	1	DTD.364	MR/C	JB.4
2631	C.178642	Stringer 'J,' main spar to rear spar, starboard ... ..	1	DTD.364	MR/C	JB.4
2632	D.179961	Stringer 'J,' rear spar to frame 40, port ... ..	2	DTD.364	MR/C	JB.4
2634	D.179963	Stringer 'K,' between rear spar and frame 40A, port ... ..	1	DTD.364	MR/C	JB.4
2635	D.179964	Stringer 'K,' between rear spar and frame 40A, starboard	1	DTD.364	MR/C	JB.4
2636	B.178525	Stringer 'K,' between nose spar and frame 21, port	1	DTD.364	MR/C	JB.4
2637	B.178526	Stringer 'K,' between nose spar and frame 21, starboard	1	DTD.364	MR/C	JB.4
2638	C.178527-8	Stringer 'K,' between frame 21 and main spar, port	2 prs.	DTD.364	MR/C	JB.4
2640	C.178643	Stringer 'K,' main spar to rear spar ... ..	2	DTD.364	MR/C	JB.4
2641	D.179965	Stringer 'L,' between frames 37 and 40A, port ... ..	1	DTD.364	MR/C	JB.4
2642	D.179966	Stringer 'L,' between frames 37 and 40A, starboard	1	DTD.364	MR/C	JB.4
	A.220709	Strut, frame 19, at wireless bay cross member ... ..	1	L.72		
	D.180831	<b>STRUCTURE, SUPPORTING, FOR FUEL TANK, ASSEMBLY</b>	—	—		
4675	F.180854	Bracket ... ..	2	DTD.364	MR/C	JB.11
4676	C.180832	Channel ... ..	1	DTD.610	MR/C	JB.11
4677	C.180833	Channel ... ..	1	DTD.610	MR/C	JB.11
4678	C.180834	Channel ... ..	1	DTD.610	MR/C	JB.11
4679	C.180835	Channel ... ..	1	DTD.610	MR/C	JB.11
4680	B.180846	Member, inter-costal, port ... ..	1	—	MR/C	JB.11
4681	B.180847	Member, inter-costal, starboard ... ..	1	—	MR/C	JB.11
4682	A.180848	Member, inter-costal frames 21-22, port ... ..	1	DTD.610	MR/C	JB.11
4683	A.180849	Member, inter-costal frames 21-22, starboard ... ..	1	DTD.610	MR/C	JB.11
4684	A.180850	Member, inter-costal frames 22-23, port ... ..	1	DTD.610	MR/C	JB.11
4685	A.180851	Member, inter-costal frames 22-23, starboard ... ..	1	DTD.610	MR/C	JB.11
4686	A.180852	Member, inter-costal frames 23-35, port ... ..	1	DTD.610	MR/C	JB.11
4687	A.180853	Member, inter-costal frames 23-25, starboard ... ..	1	DTD.610	MR/C	JB.11
4688	C.180840	Plate, fuel pump, mounting ... ..	2	DTD.610	MR/C	JB.11
4689	C.180841	Plate, recuperator mounting, port ... ..	1	DTD.610	MR/C	JB.11
4690	C.180842	Plate, recuperator mounting, starboard ... ..	1	DTD.610	MR/C	JB.11
8431	Chekaleke	Plug ... ..	16	—	C.	
or	No. 5 or No. 6					
8432						
4652	Std.1299/3	Stud, securing guard and clips, for attaching electrical cables	21	S.95.B	C.	4

FUSELAGE—CENTRE PORTION

Ref No.	Part No.	Description	No. Off	Material Specification	M.R. Class of Store	Plate No.
	E.221248-9	<b>STUB-WING, ASSEMBLY</b> ... ..	-	-		
	C.222754-5	<b>DUCT IN STUB-WING, ASSEMBLY</b> ... ..	-	-		
	F.216328	Angle, attachment, port ... ..	1	L.72		
	F.216329	Angle, attachment, starboard ... ..	1	L.72		
	A.216330	Bracket, support, port ... ..	1	L.72		
	A.216331	Bracket, support, starboard ... ..	1	L.72		
	Std.841/39	Clip, support, attaching duct to angle, at rib No. 1, $\frac{7}{16}$ " wide x 22 S.W.G. x 3-9" long	2	DTD.610		
	Std.1188/1	Clip, attaching duct to bracket at rib No. 2 ...	2	DTD.610		
	F.216332	Duct, for D.M.E. aerial ... ..	2	L.67		
	D.179488	Fillet, for wing aft of rear spar, port, group ...	1	-		
	D.179489	Fillet, for wing aft of rear spar, starboard group	1	-		
2645	B.181497	Angle, for seal retaining, top port ... ..	1	DTD.610	MR/C	JB.2
2646	B.181498	Angle, for seal retaining, top starboard ... ..	1	DTD.610	MR/C	JB.2
2647	B.181499	Angle, for seal retaining, bottom port ... ..	1	DTD.610	MR/C	JB.2
2648	B.181500	Angle, for seal retaining, bottom starboard ... ..	1	DTD.610	MR/C	JB.2
2649	A.188212	Angle, for seal retaining, top forward, port ...	1	DTD.610	MR/C	JB.2
2650	A.188213	Angle, for seal retaining, top forward, starboard	1	DTD.610	MR/C	JB.2
2651	A.188214	Angle, for seal retaining, bottom forward, port	1	DTD.610	MR/C	JB.2
2652	A.188215	Angle, for seal retaining, bottom forward, starboard	1	DTD.610	MR/C	JB.2
1027	D.179488/A	Fillet, top, removable, port ... ..	1	DTD.610	B.	JB.1
1028	D.179488/B	Fillet, bottom, forward, removable, port ... ..	1	DTD.610	B.	JB.1
1029	B.179488/C	Fillet, bottom, aft, removable, port ... ..	1	DTD.610	B.	JB.1
1030	D.179489/A	Fillet, top, removable, starboard ... ..	1	DTD.610	B.	JB.1
1031	D.179489/B	Fillet, bottom, forward, removable, starboard	1	DTD.610	B.	JB.1
1032	D.179489/C	Fillet, bottom, aft, removable, starboard ... ..	1	DTD.610	B.	JB.1
	C.190330	<b>PANEL, ACCESS, FOR HYDRAULIC RESERVOIR, SUB-ASSEMBLY</b>	-	-		
	B.190332	Landing, group ... ..	1	DTD.610		
28FP/341	Dzus S.5.325	Spring ... ..	1	-	C.	
3762	Std.915/A/18	Washer ... ..	1	DTD.610	MR/C	4
1033	B.190331	Panel, group ... ..	1	DTD.610	C.	JB.1
28FP/617	Dzus EF5/45B	Fastener ... ..	3	-	C.	
2653	F.181992	Plate, nut, at rear spar ... ..	2	S.3	MR/C	
	C.181538	Plate, for rudder seal retaining, port ... ..	1	DTD.610		
	C.181539	Plate, for rubber seal retaining, starboard ... ..	1	DTD.610		
1706	Std.1703/6C	Screw ... ..	130	S.95.B	C.	5
6752	Std.1703/9C	Screw ... ..	2	S.95.B	C.	5
2654	A.182036	Trailing edge ... ..	2	L.33, L.51 or L.1	MR/C	JB.1
	C.221175	Member, top, at leading edge, port, group ... ..	1	-		JB.2
	F.211939	Lug, attachment ... ..	1	Casting		
	C.221176	Member, top, at leading edge, starboard, group	1	-		JB.2
	F.211940	Lug, attachment ... ..	1	Casting		
	C.221096	Member, bottom, at leading edge, port, group ...	1	-		JB.2
	F.211937	Lug, attachment ... ..	1	Casting		
	C.221097	Member, bottom, at leading edge, starboard, group	1	-		JB.2
	F.211938	Lug, attachment ... ..	1	Casting		

FUSELAGE—CENTRE PORTION

Ref. No.	Part No.	Description					No. Off	Material Specification	M.R. Class of Store	Plate No.
		1	2	3	4	5				
2659	C.178820					<b>Mounting</b> , for undercarriage wheel door hinge, port	1	—	MR/C	JB.2
2660	C.178821					<b>Mounting</b> , for undercarriage wheel door hinge, starboard	1	—	MR/C	JB.2
	C.221177					<b>Rib No. 1</b> , at leading edge, top, port, group ...	1	—		JB.2
	F.211941					<b>Plate</b> , nut ... ..	1	S.3		
	C.221178					<b>Rib</b> , No. 1, at leading edge, top, starboard, group	1	—		JB.2
	F.211941					<b>Plate</b> , nut ... ..	1	S.3		
	B.222750					<b>Rib</b> , No. 2, at leading edge, top, port (Mod. 535)	1	DTD.610		JB.2
	B.222751					<b>Rib</b> , No. 2, at leading edge, top, starboard (Mod. 535)	1	DTD.610		JB.2
2665	B.180012					<b>Rib</b> , No. 3, at leading edge, top, port ... ..	1	DTD.610	MR/B	JB.2
2666	B.180013					<b>Rib</b> , No. 3, at leading edge, top, starboard ... ..	1	DTD.610	MR/B	JB.2
2667	B.180014					<b>Rib</b> , No. 1, at leading edge, bottom, port ... ..	1	DTD.610	MR/B	JB.2
2668	B.180015					<b>Rib</b> , No. 1, at leading edge, bottom, starboard ... ..	1	DTD.610	MR/B	JB.2
2669	B.180016					<b>Rib</b> , No. 2, at leading edge, bottom, port ... ..	1	DTD.610	MR/B	JB.2
2670	B.180017					<b>Rib</b> , No. 2, at leading edge, bottom, starboard ... ..	1	DTD.610	MR/B	JB.2
2671	B.180018					<b>Rib</b> , No. 3, at leading edge, bottom, port ... ..	1	DTD.610	MR/B	
2672	B.180019					<b>Rib</b> , No. 3, at leading edge, bottom, starboard ... ..	1	DTD.610	MR/B	
2673	B.180020					<b>Rib</b> , outboard, at leading edge ... ..	1	DTD.610	MR/B	JB.2
10578	F.173639					<b>Bracket</b> , FR.28, port ... ..	1	DTD.610	MR/C	
2674	B.180021					<b>Rib</b> , outboard, at leading edge ... ..	1	DTD.610	MR/B	JB.2
10579	F.173640					<b>Bracket</b> , FR.28, starboard ... ..	1	DTD.610	MR/C	
	D.196440-1					<b>SEALING, BETWEEN STUB-WING AND WING, SUB-ASSEMBLY</b>	—	—		
3847	A.196439					<b>Pad</b> , sealing, at trailing edge ... ..	2	Volcrepe T.L.S.	C.	JB.2
3848	A.196438					<b>Strip</b> , sealing, at leading edge ... ..	2	Volcrepe T.L.S.	C.	JB.2
—	—					<b>Strip</b> , sealing, 1" wide × $\frac{3}{16}$ " thick ... .. (D.196440/1 to 5, and D.196441/1) (Make from 32C/660)	30	Volcrepe	—	
4023	Std.1509/12/018					<b>Tube</b> , distance, $\frac{1}{4}$ " o/d × 20 SWG × 0.18" long (Make from 30B/1779)	6	L.62	MR/C	4
	D.221308-9					<b>SKIN, COVERING, ASSEMBLY</b> ... ..	—	—		
3852	A.195904					<b>Door</b> , access, to hydraulic connections ... ..	2	DTD.610	C.	JB.1
7875‡	C.216760					<b>Fairing</b> , outboard, port (undrilled) ... ..	1	DTD.610	B.	JB.1
7876‡	C.216761					<b>Fairing</b> , outboard, starboard (undrilled) ... ..	1	DTD.610	B.	JB.1
2676	B.192636					<b>Landing</b> , forward, for stub-wing access panel, port	1	DTD.610	MR/C	JB.4
2677	B.192637					<b>Landing</b> , forward, for stub-wing access panel, starboard	1	DTD.610	MR/C	JB.4
2678	B.192640					<b>Landing</b> , aft, for stub-wing access panel, port	1	DTD.610	MR/C	JB.4
2679	B.192641					<b>Landing</b> , aft, for stub-wing access panel, starboard	1	DTD.610	MR/C	JB.4
2680	B.192638					<b>Landing</b> , inboard, for stub-wing access panel, port	1	DTD.610	MR/C	JB.4
2681	B.192639					<b>Landing</b> , inboard, for stub-wing access panel, starboard	1	DTD.610	MR/C	JB.4
4016	A.195903					<b>Landing</b> , for hydraulic connection access door	2	DTD.610	MR/C	JB.4
	C.221330/1					<b>Nosing</b> , top, port ... ..	1	—		JB.1
	C.221331/1					<b>Nosing</b> , top, starboard ... ..	1	—		JB.1
1823	C.182598					<b>Nosing</b> , bottom, port ... ..	1	—	B.	JB.1
1824	C.182699					<b>Nosing</b> , bottom, starboard ... ..	1	—	B.	JB.1
1038	D.188722					<b>Panel</b> , access, for pin joint at main spar, top, port	1	DTD.610	B.	JB.1
1039	D.188723					<b>Panel</b> , access, for pin joint at main spar, top, starboard	1	DTD.610	B.	JB.1

FUSELAGE-CENTRE PORTION

Ref. No.	Part No.	Description					No. Off	Material Specification	M.R. Class of Store	Plate No.
		1	2	3	4	5				
5818	C.200861						1	L.72	C.	JB.1
5819	C.200862						1	L.72	C.	JB.1
4723	F.199630						2	—	MR/C	JB.1
1040	D.188724						1	DTD.610	B.	JB.1
1041	D.188725						1	DTD.610	B.	JB.1
	C.222752-3						—	—		
9418	B.216139						1	—	B.	
9419	B.216140						1	—	B.	
7839	D.211964						1	DTD.610	B.	JB.1
7988	B.211962						1	—	B.	JB.1
	Fairey FS.430/E						1	—		
	F.211961						2	L.72		
1781	D.192980						1	DTD.610	B.	JB.5
4724	A.199629						2	DTD.610	MR/C	
4725	F.196550						2	DTD.610	MR/C	
4726	F.196551						2	DTD.610	MR/C	
1807	D.182688/1						1	DTD.610	B.	JB.1
1809	D.182688/3						1	DTD.610	B.	JB.1
	D.200965/2						1	DTD.610		JB.1
	D.221308/1						1	DTD.610		JB.1
1812	D.182688/6						1	DTD.610	B.	JB.1
2682	D.182688/9						1	DTD.610	MR/B	JB.1
2683	D.182688/10						1	DTD.610	MR/B	JB.1
2684	D.182688/11						1	DTD.610	MR/B	JB.1
1813	D.182688/15						1	DTD.610	B.	JB.1
	D.182688/22						1	DTD.610		JB.1
	D.182688/23						1	DTD.610		
	D.182689/1						1	DTD.610		JB.1
1816	D.182689/3						1	DTD.610	B.	JB.1
	D.200966/2						1	DTD.610		JB.1
	D.221309/1						1	DTD.610		JB.1
1819	D.182689/6						1	DTD.610	B.	JB.1
2685	D.182689/9						1	DTD.610	MR/B	JB.1
2686	D.182689/10						1	DTD.610	MR/B	JB.1
2687	D.182689/11						1	DTD.610	MR/B	JB.1
1820	D.182689/15						1	DTD.610	B.	JB.1
	D.182689/22						1	DTD.610		
	D.182689/23						1	DTD.610		

RESTRICTED

Hunter T. Mk. 7  
Issued with A/L No. 3

## FUSELAGE-CENTRE PORTION

Ref. No.	Part No.	Description	No. Off					Material Specification	M.R. Class of Store	Plate No.
			1	2	3	4	5			
	E.221441-2 D.182684-5	<b>SKIN, COVERING, FOR AIR INTAKE, BOUNDARY LAYER DUCT, SUB-ASSEMBLY</b>								
2643	B.183782	Leading edge section, forward of nose spar, port					1	DTD.364	MR/C JB.4	
2644	B.183783	Leading edge section, forward of nose spar, starboard					1	DTD.364	MR/C JB.4	
5712	A.183784	Spacer, at forward end of duct ... ..					4	DTD.364	MR/C JB.4	
	C.222756-7	<b>MOUNTINGS FOR D.M.E, AERIAL, ASSEMBLY</b>								
	F.216141	Bracket, attachment for eyebolt ... ..					4	S.96.B		
	F.217474	Bracket, mounting ... ..					2	L.72		
	F.216142	Eyebolt, for attaching aerial ... ..					4	S.96.B		
	E.221441/1	Skin, top, forward, port ... ..					1	L.72		
	E.221442/1	Skin, top, forward, starboard ... ..					1	L.72		
6862	E.182686/3	Skin, top, aft, port ... ..					1	L.72	MR/B	
	E.182687/3	Skin, top, aft, starboard ... ..					1	L.72		
	E.182686/4	Skin, bottom, forward, port ... ..					1	L.72		
	E.182687/4	Skin, bottom, forward, starboard ... ..					1	L.72		
	E.182686/6	Skin, bottom, aft, port ... ..					1	L.72		
	E.182687/6	Skin, bottom, aft, starboard ... ..					1	L.72		
	E.182686/12	Skin, top, centre, port ... ..					1	L.72		
	E.182687/12	Skin, top, centre, starboard ... ..					1	L.72		
	E.182686/13	Skin, bottom, centre, port ... ..					1	L.72		
	E.182687/13	Skin, bottom, centre, starboard ... ..					1	L.72		
	E.182686/7	Strap, butt, port ... ..					1	L.72		
	E.182687/7	Strap, butt, starboard ... ..					1	L.72		
	F.193682	Strap, butt ... ..					2	L.72		
—	Std.1509/24/070	Tube, distance, for strut at wireless bay cross member (Make from 30B/557)					1	T.4	—	
—	Std.1509/24/078	Tube, distance, for strut at wireless bay cross member (Make from 30B/557)					1	T.4	—	

RESTRICTED

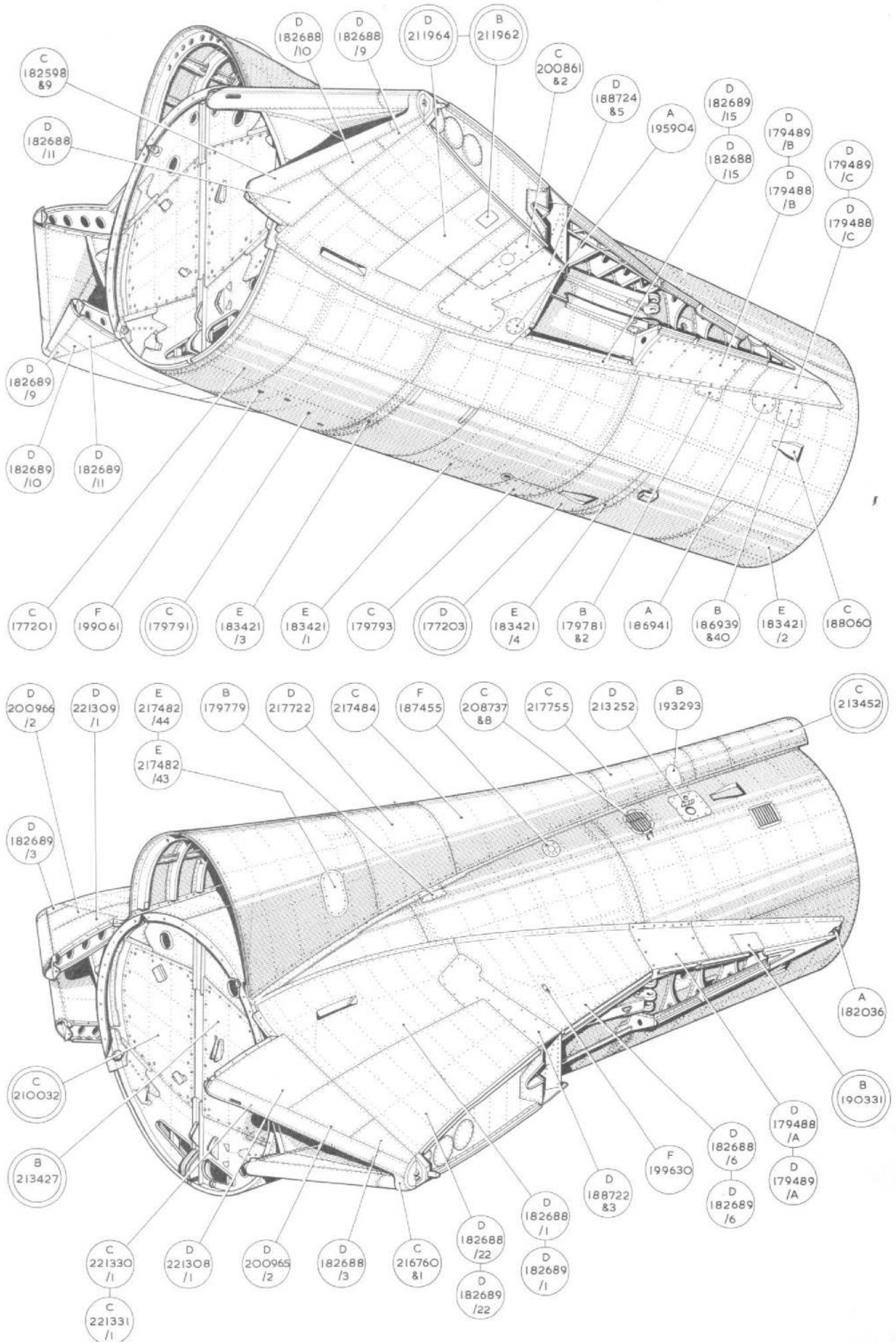
Hunter T. Mk. 7  
 Issued with A/L No. 10

FUSELAGE-CENTRE PORTION

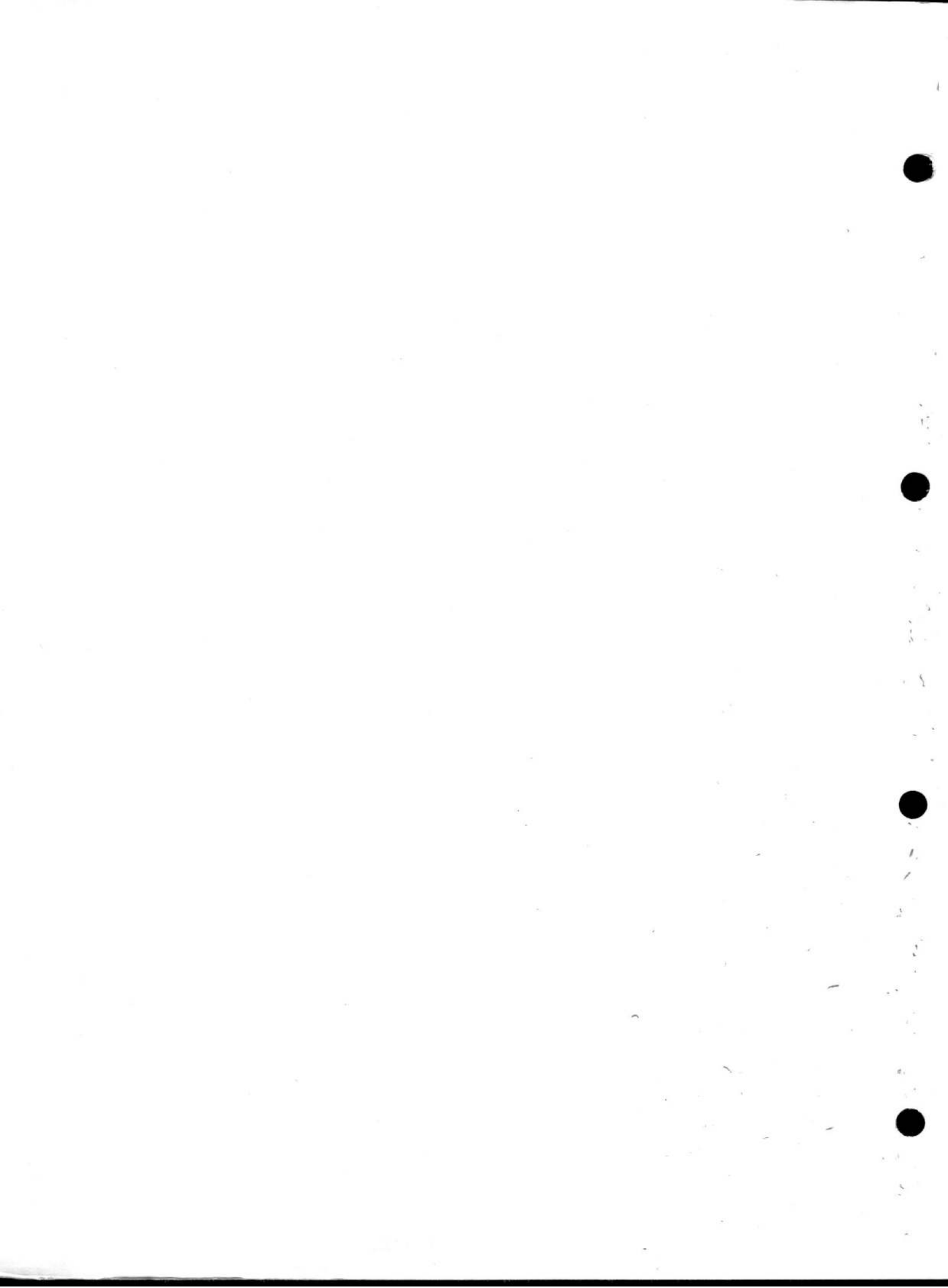
Ref No.	Part No.	Description					No. Off	Material Specification	M.R. Class of Store	Plate No.
		1	2	3	4	5				
<b>SUMMARY OF STOCK ITEMS</b>										
28D/1010658	A25.1.B	Bolt,	4	B.A.	...	...	...	...	...	---
28D/9436920	A25.1.C	Bolt,	2	B.A.	...	...	...	...	...	---
28D/9133011	A25.2.C	Bolt,	2	B.A.	...	...	...	...	...	---
28D/9133012	A25.3.C	Bolt,	2	B.A.	...	...	...	...	...	---
28D/1200119	A25.4.C	Bolt,	2	B.A.	...	...	...	...	...	---
28D/7002428	A25.6.C	Bolt,	2	B.A.	...	...	...	...	...	---
28D/1010030	A25.7.C	Bolt,	2	B.A.	...	...	...	...	...	---
28D/1011019	A25.8.C	Bolt,	2	B.A.	...	...	...	...	...	---
28D/12536	A25.13.C	Bolt,	2	B.A.	...	...	...	...	...	---
28D/9140647	A25.14.C	Bolt,	2	B.A.	...	...	...	...	...	---
28D/9453970	A25.15.C	Bolt,	2	B.A.	...	...	...	...	...	---
28D/9140648	A25.19.C	Bolt,	2	B.A.	...	...	...	...	...	---
28D/1011238	A25.3.E	Bolt,	1/4"	B.S.F.	...	...	...	...	...	---
28D/1011242	A25.7.E	Bolt,	1/4"	B.S.F.	...	...	...	...	...	---
28D/1011248	A25.16.E	Bolt,	1/4"	B.S.F.	...	...	...	...	...	---
28D/12548	A25.17.E	Bolt,	1/4"	B.S.F.	...	...	...	...	...	---
28D/7002440	A25.18.E	Bolt,	1/4"	B.S.F.	...	...	...	...	...	---
28D/13046	A25.19.E	Bolt,	1/4"	B.S.F.	...	...	...	...	...	---
28D/14434	A25.31.G	Bolt,	5/16"	B.S.F.	...	...	...	...	...	---
28D/13070	A25.38.G	Bolt,	5/16"	B.S.F.	...	...	...	...	...	---
28D/15068	A57.2.E	Bolt,	1"	B.S.F.	...	...	...	...	...	---
28D/12179	AGS.571/505	Bolt,	5/16"	B.S.F.	...	...	...	...	...	---
28D/15069	A57.18.G	Bolt,	5/16"	B.S.F.	...	...	...	...	...	---
28D/15070	A57.25.G	Bolt,	5/16"	B.S.F.	...	...	...	...	...	---
28D/9131782	AS.1242.2B	Bolt,	4	B.A.	...	...	...	...	...	---
28D/1007319	AS.1242.4B	Bolt,	4	B.A.	...	...	...	...	...	---
28D/8306	AS.1242.1C	Bolt,	2	B.A.	...	...	...	...	...	---
28D/8307	AS.1242.2C	Bolt,	2	B.A.	...	...	...	...	...	---
28D/8308	AS.1242.3C	Bolt,	2	B.A.	...	...	...	...	...	---
28D/8304	AS.1242.6B	Bolt,	4	B.A.	...	...	...	...	...	---
28D/8311	AS.1242.7C	Bolt,	2	B.A.	...	...	...	...	...	---
28D/8324	AS.1242.3E	Bolt,	1/4"	B.S.F.	...	...	...	...	...	---
28D/12124	AS.1242.19E	Bolt,	1/4"	B.S.F.	...	...	...	...	...	---
28D/12052	AS.1242.20E	Bolt,	1/4"	B.S.F.	...	...	...	...	...	---
28D/9128739	AS.1248.1/2B	Bolt,	4	B.A.	...	...	...	...	...	---
28D/1007981	AS.1248.1/2C	Bolt,	2	B.A.	...	...	...	...	...	---
28D/1007982	AS.1248.1C	Bolt,	2	B.A.	...	...	...	...	...	---
28D/8342	AS.1248.2C	Bolt,	2	B.A.	...	...	...	...	...	---
28D/12478	AS.1248.19C	Bolt,	2	B.A.	...	...	...	...	...	---
28E/10027	AS.2295/1	Clip			...	...	...	...	...	---
28D/13100	A30.5E	Bolt,	1/4"	B.S.F.	...	...	...	...	...	---
28D/13262	A30.6E	Bolt,	1/4"	B.S.F.	...	...	...	...	...	---
28D/13473	A30.8J	Bolt,	3/8"	B.S.F.	...	...	...	...	...	---
28D/13369	A30-9J	Bolt,	3/8"	B.S.F.	...	...	...	...	...	---
28D/13345	A30-11J	Bolt,	3/8"	B.S.F.	...	...	...	...	...	---
28D/13101	A30-12J	Bolt,	3/8"	B.S.F.	...	...	...	...	...	---
28M/13271	A25.E.P.	Nut,	1/4"	B.S.F.	...	...	...	...	...	---
28M/13273	A25.J.P.	Nut,	3/8"	B.S.F.	...	...	...	...	...	---
28M/14438	A25.L.P.	Nut,	7/16"	B.S.F.	...	...	...	...	...	---
28M/13140	A27.B.T.	Nut,	4	B.A.	...	...	...	...	...	---
28M/12929	A27.C.P.	Nut,	2	B.A.	...	...	...	...	...	---
28M/13124	A27.C.T.	Nut,	2	B.A.	...	...	...	...	...	---

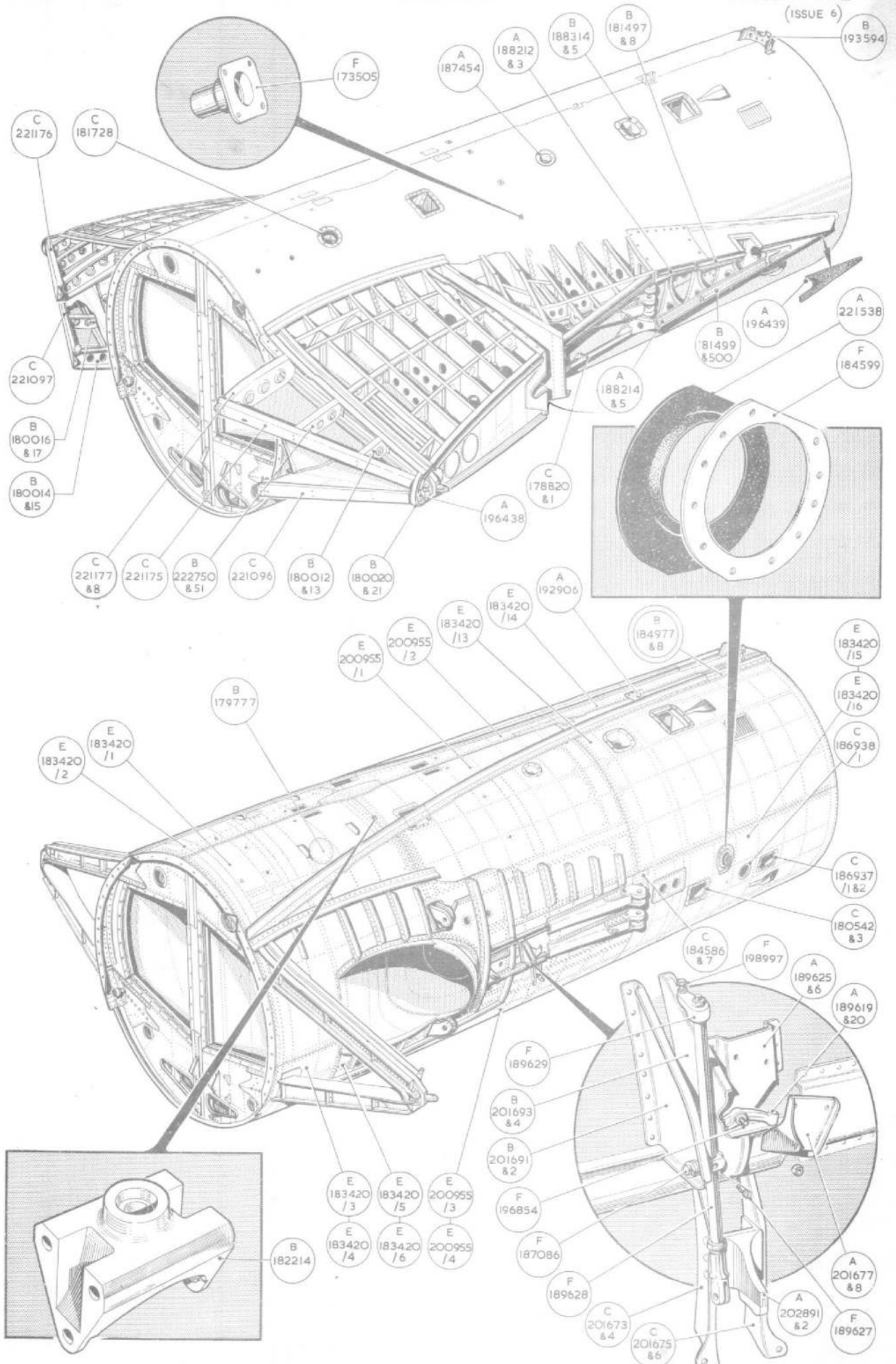
FUSELAGE—CENTRE PORTION

Ref. No.	Part No.	Description					No. Off	Material Specification	M.R. Class of Store	Plate No.
		1	2	3	4	5				
28M/12928	A27.E.P.	Nut,	1"	B.S.F.	...	...	...	—	—	—
28M/12931	A27.E.T.	Nut,	1"	B.S.F.	...	...	...	—	—	—
28M/1006939	A27.G.P.	Nut,	5/16"	B.S.F.	...	...	...	—	—	—
28M/1011477	A27.N.P.	Nut,	1/2"	B.S.F.	...	...	...	—	—	—
28M/13244	A27.P.T.	Nut,	3/16"	B.S.F.	...	...	...	—	—	—
28M/13403	AGS.572.A.P.	Nut,	1/4"	B.S.F.	...	...	...	—	—	—
28M/13439	AGS.572.C.P.	Nut,	5/16"	B.S.F.	...	...	...	—	—	—
28M/14440	A58.J.T.	Nut,	3/8"	B.S.F.	...	...	...	—	—	—
28M/10287	AGS.2001/B1	Nut,	4	B.A.	...	...	...	—	—	—
28M/10288	AGS.2001/C1	Nut,	2	B.A.	...	...	...	—	—	—
28M/10327	AGS.2002/B1	Nut,	4	B.A.	...	...	...	—	—	—
28M/10328	AGS.2002/C1	Nut,	2	B.A.	...	...	...	—	—	—
28M/10330	AGS.2002/E1	Nut,	1/2"	B.S.F.	...	...	...	—	—	—
28M/11957	AGS.2007/C1	Nut,	2	B.A.	...	...	...	—	—	—
28M/9435067	AGS.2008/C1	Nut,	2	B.A.	...	...	...	—	—	—
28M/9999	AGS.2012/C11	Nut,	2	B.A.	...	...	...	—	—	—
28M/9419400	AGS.2013/C11	Nut,	2	B.A.	...	...	...	—	—	—
28M/12421	AGS.2018/C1	Nut,	2	B.A.	...	...	...	—	—	—
28M/9144673	AGS.2019/C1	Nut,	2	B.A.	...	...	...	—	—	—
28P/818	SP4Y/A8	Pin	...	...	...	...	...	—	—	—
28W/9419402	SP.13.C	Washer,	2	B.A.	...	...	...	—	—	—
28W/9419474	SP.15.B	Washer,	4	B.A.	...	...	...	—	—	—
28W/9419475	SP.15.C	Washer,	2	B.A.	...	...	...	—	—	—
28W/9419405	SP.15.E	Washer,	1/4"	dia.	...	...	...	—	—	—
28W/9419476	SP.15.G	Washer,	5/16"	dia.	...	...	...	—	—	—
28W/9419477	SP.15.J	Washer,	3/8"	dia.	...	...	...	—	—	—
28W/9419478	SP.15.L	Washer,	7/16"	dia.	...	...	...	—	—	—
28W/9419479	SP.15.N	Washer,	1"	dia.	...	...	...	—	—	—
28W/9419404	SP.16.C	Washer,	2	B.A.	...	...	...	—	—	—
28W/9419487	SP.16.E	Washer,	1"	dia.	...	...	...	—	—	—
28W/9419488	SP.16.G	Washer,	5/16"	dia.	...	...	...	—	—	—
28W/9419489	SP.16.J	Washer,	3/8"	dia.	...	...	...	—	—	—
28W/9419493	SP.16.Q	Washer,	5/8"	dia.	...	...	...	—	—	—
28W/3097	AGS.162/B	Washer,	4	B.A.	...	...	...	—	—	—

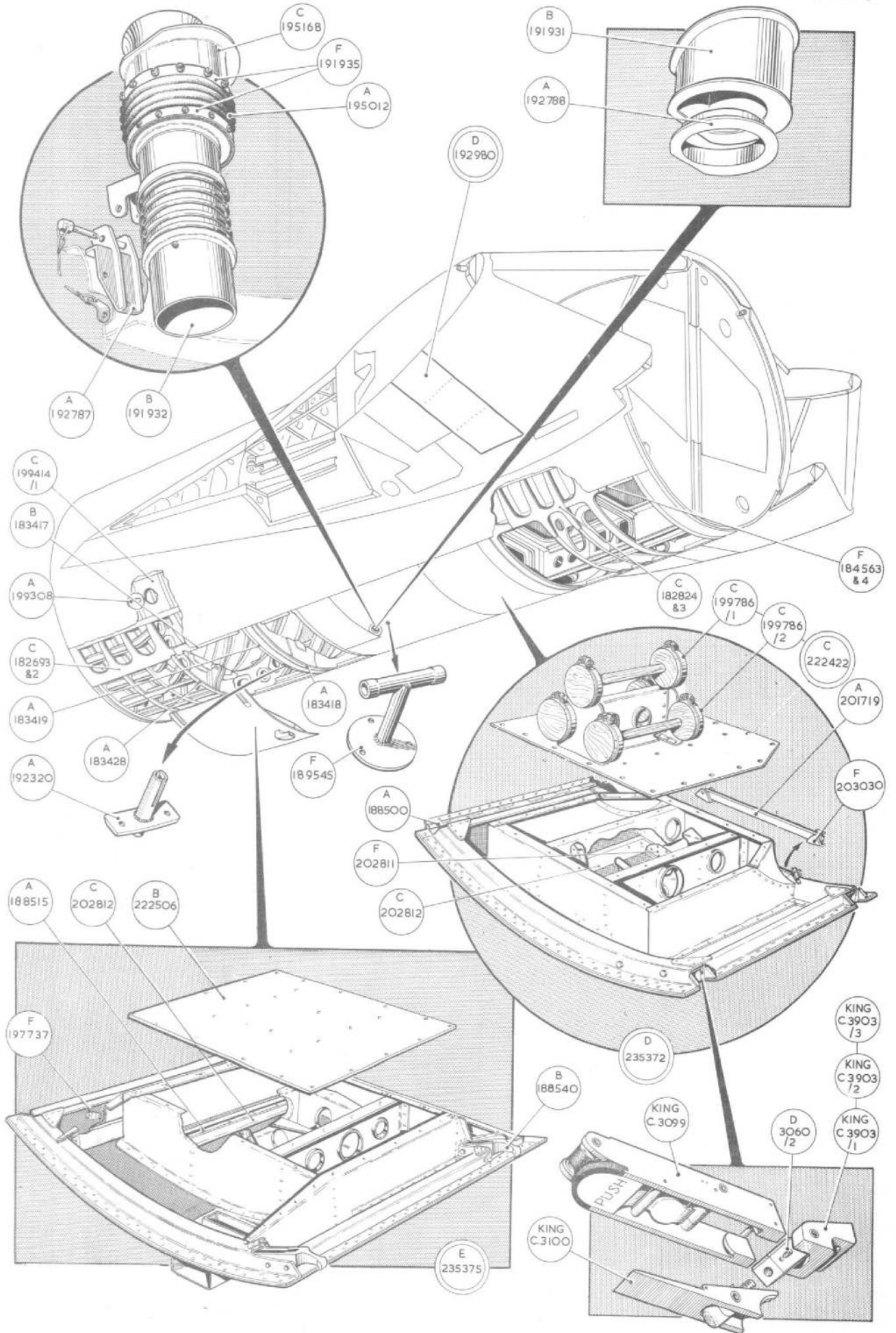


CENTRE FUSELAGE

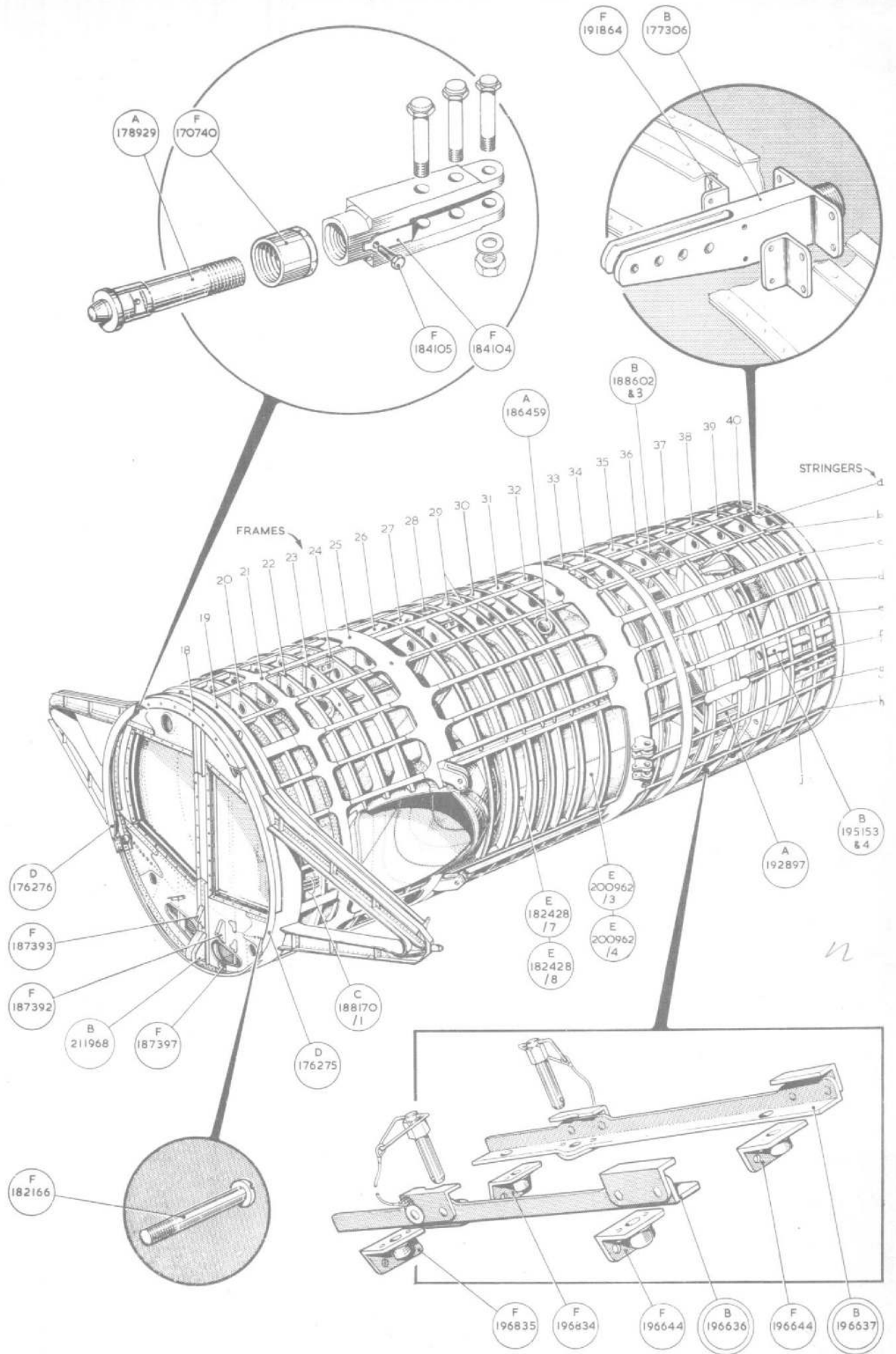






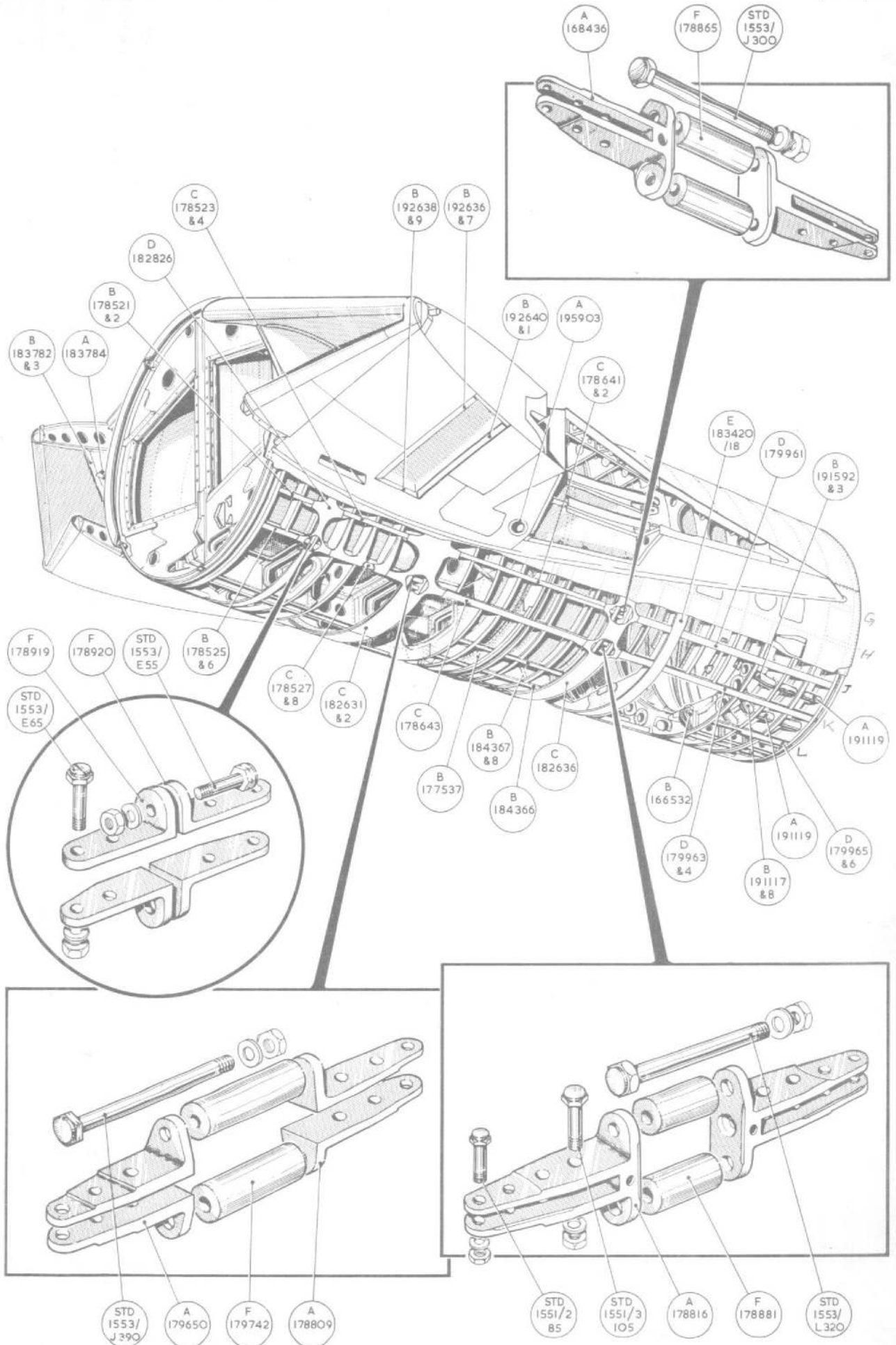


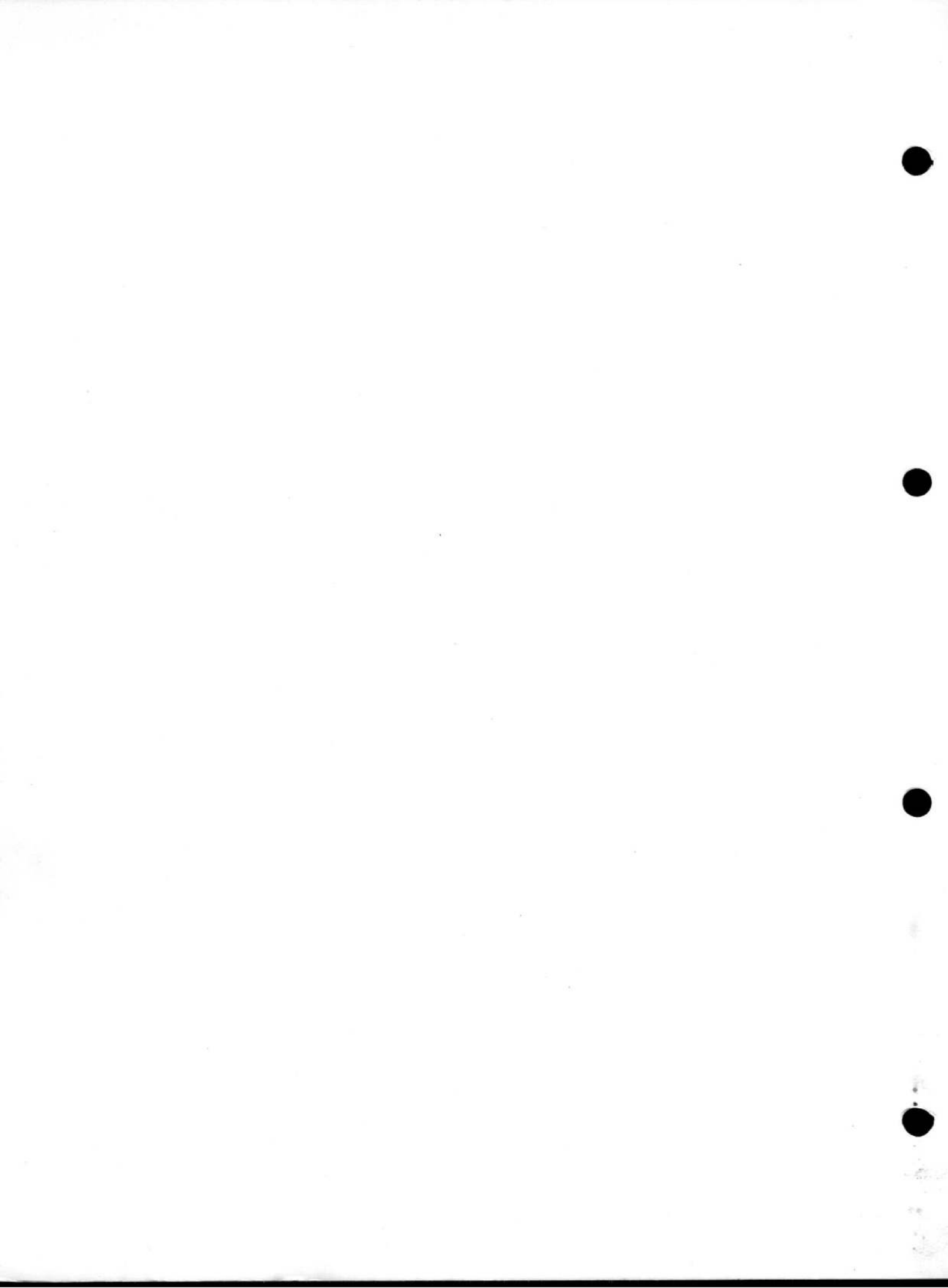


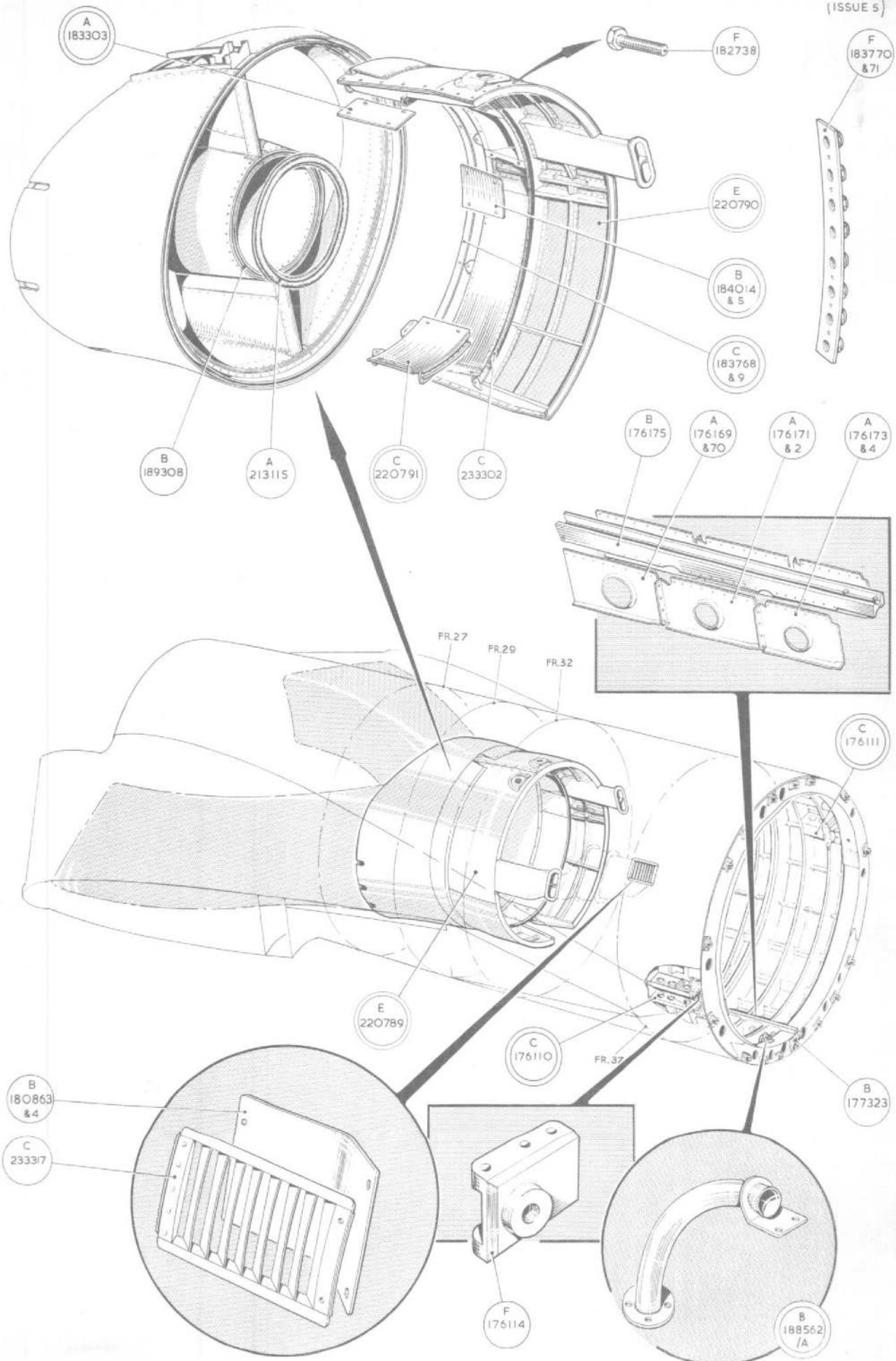


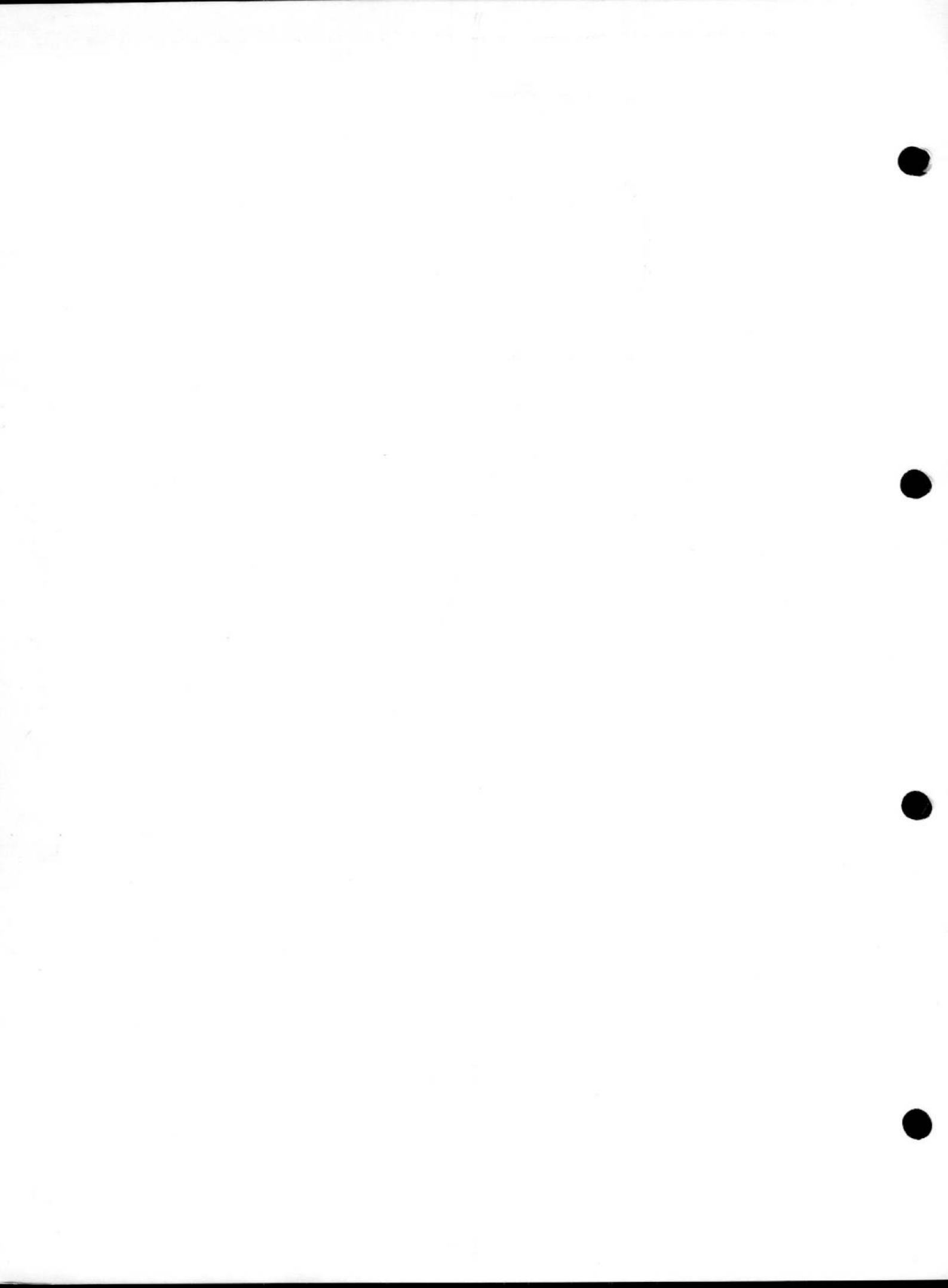
CENTRE FUSELAGE

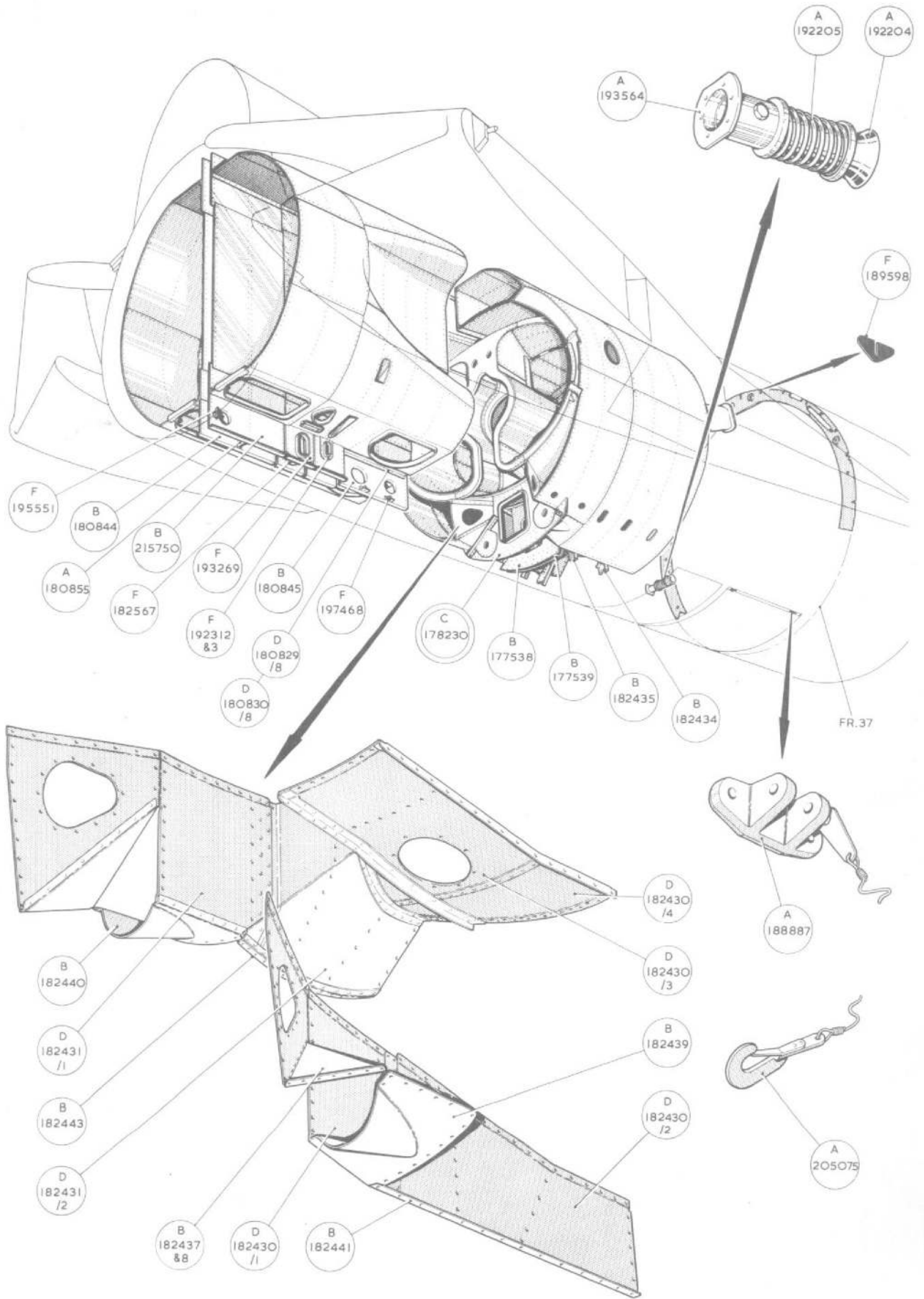




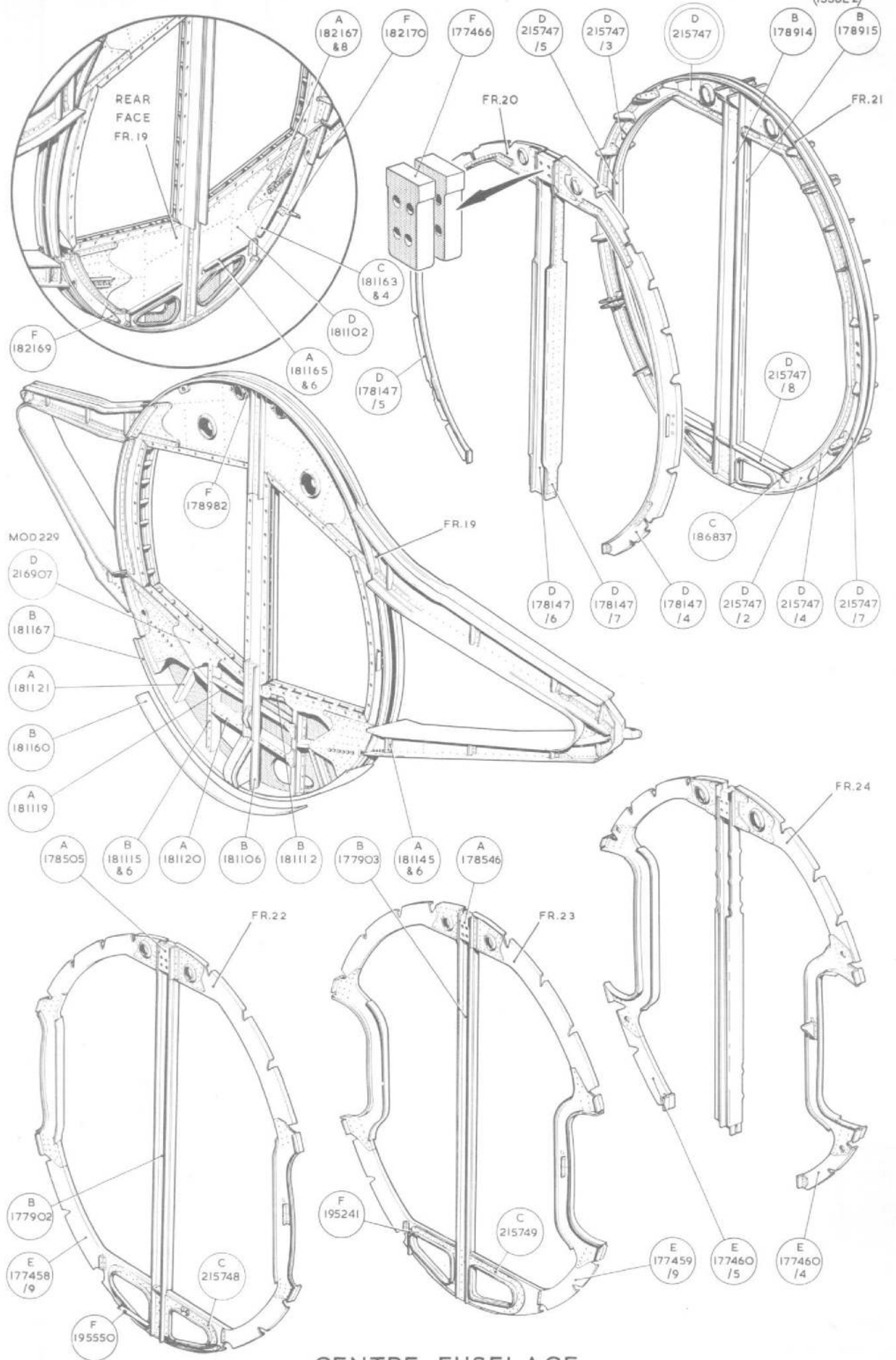




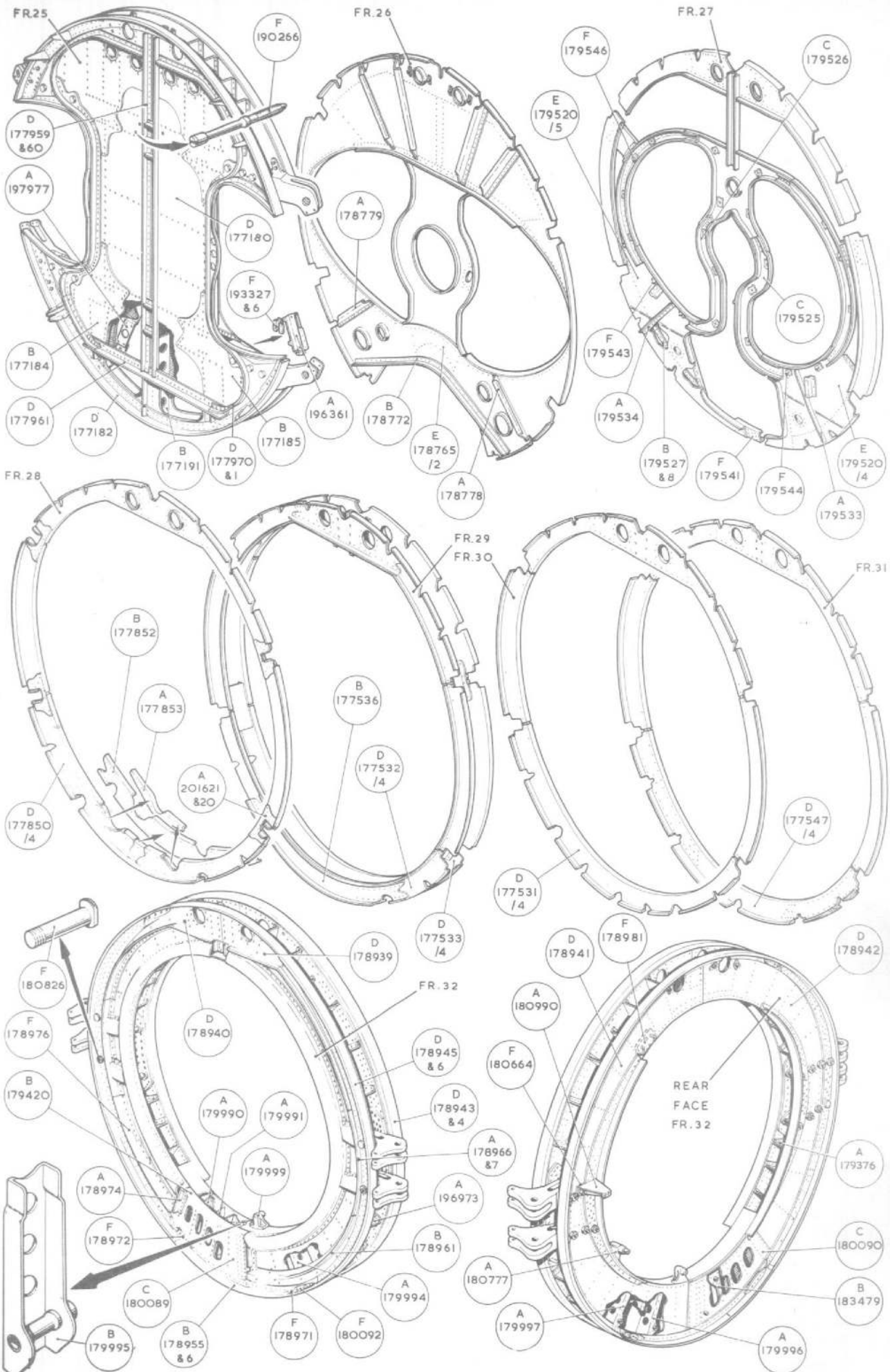




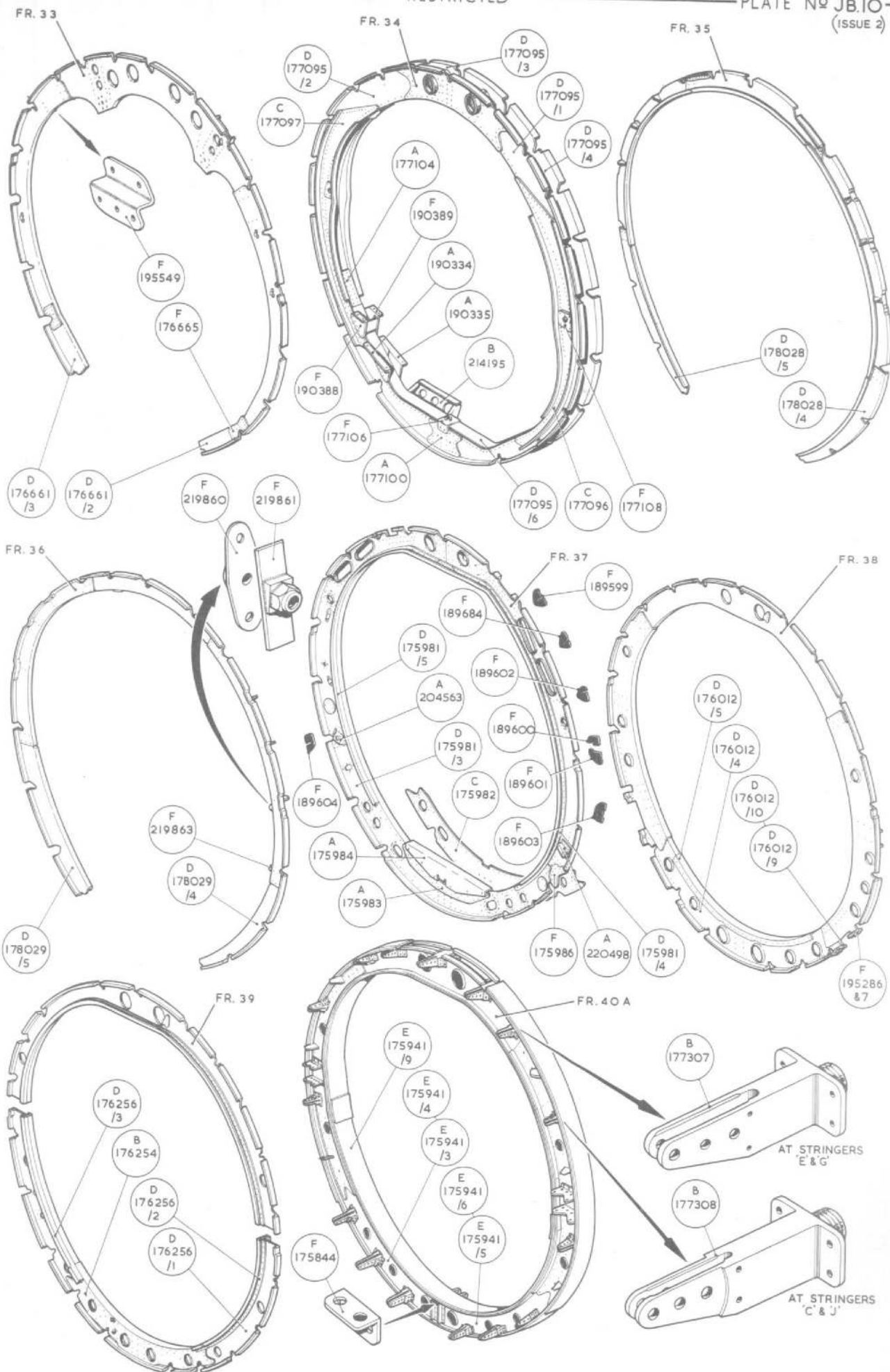


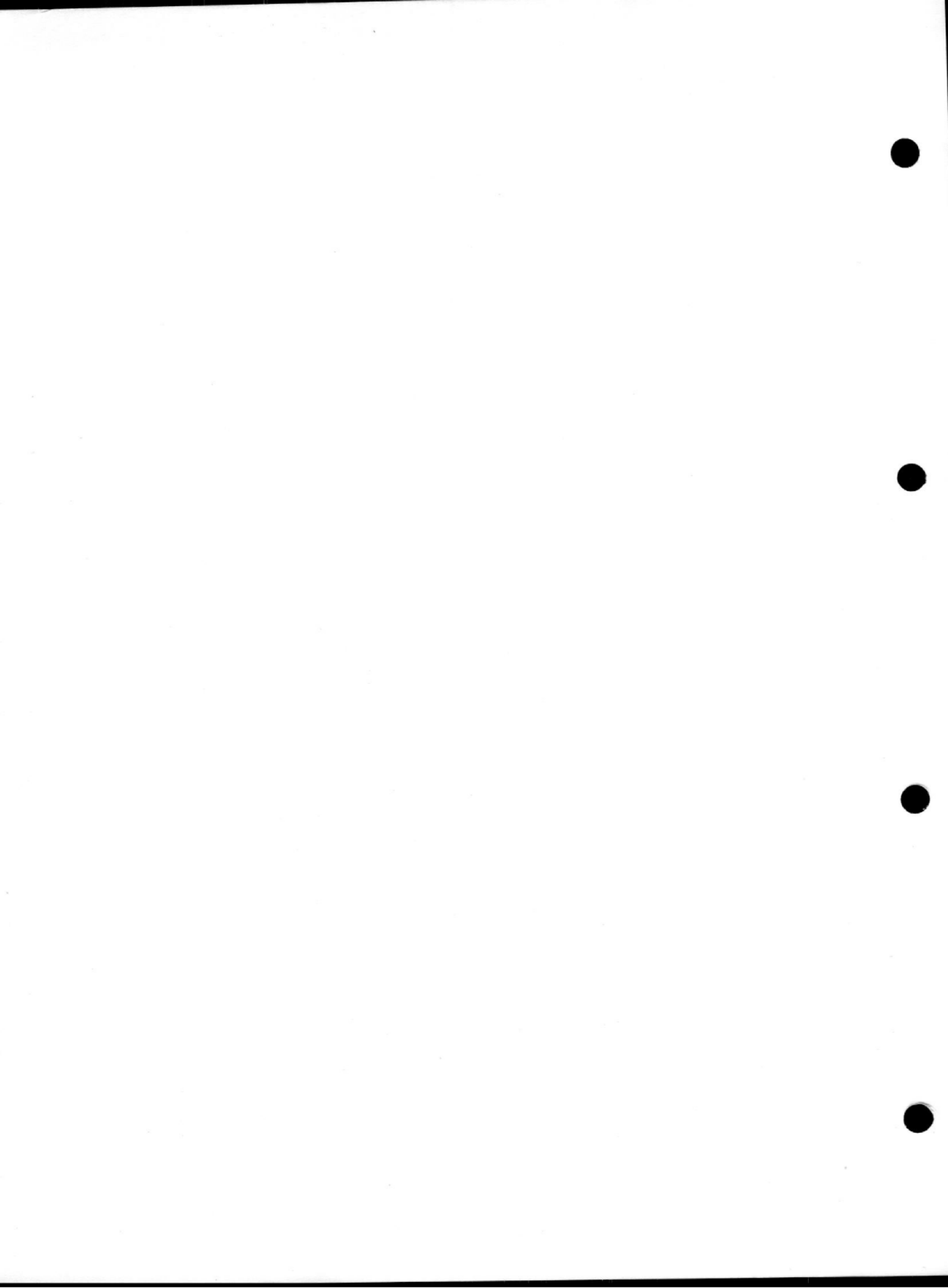


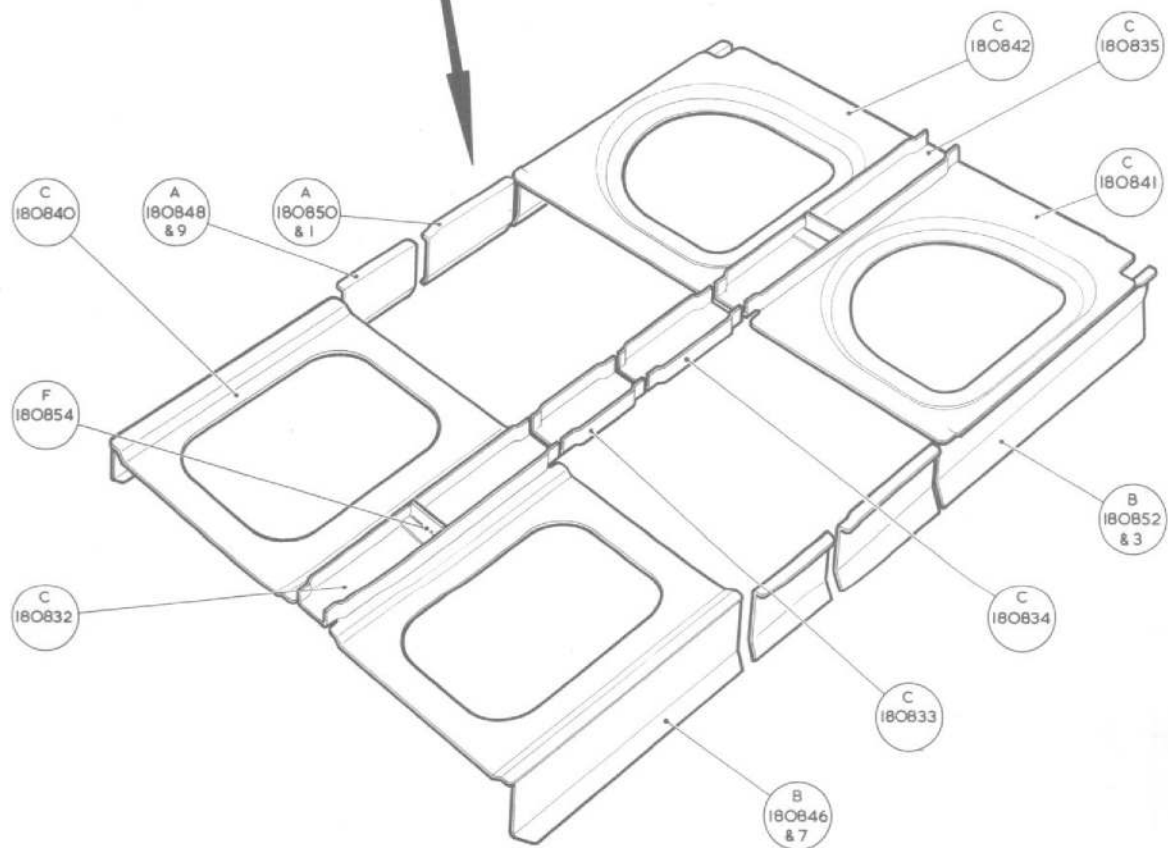
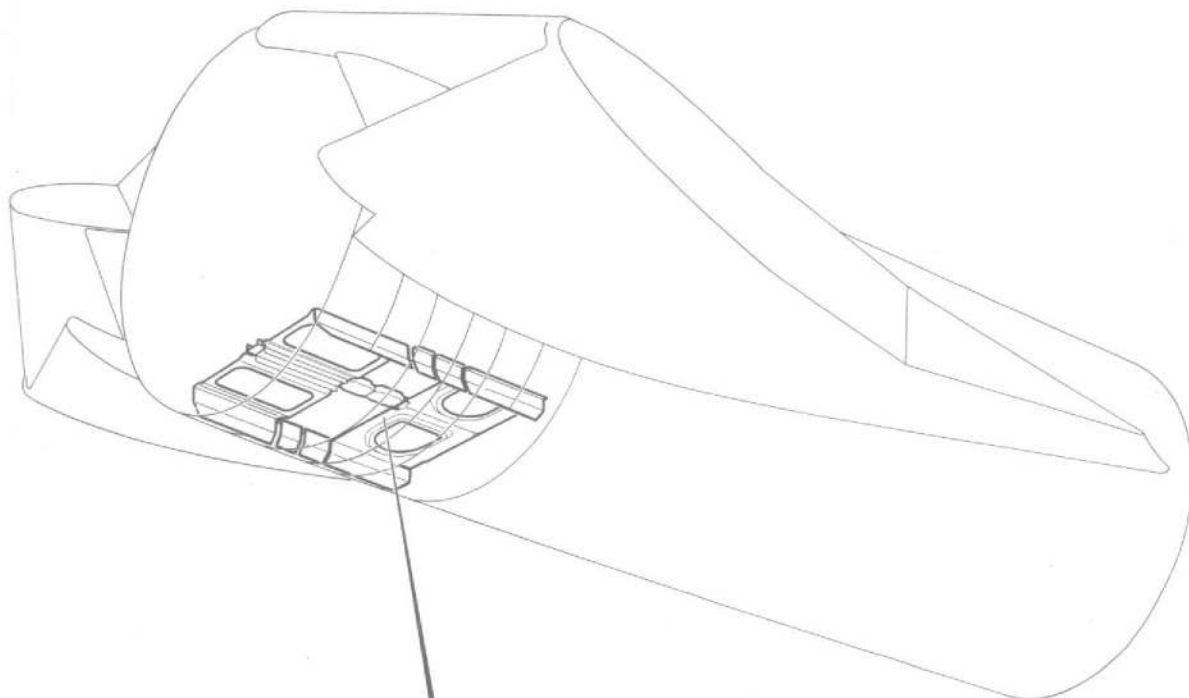




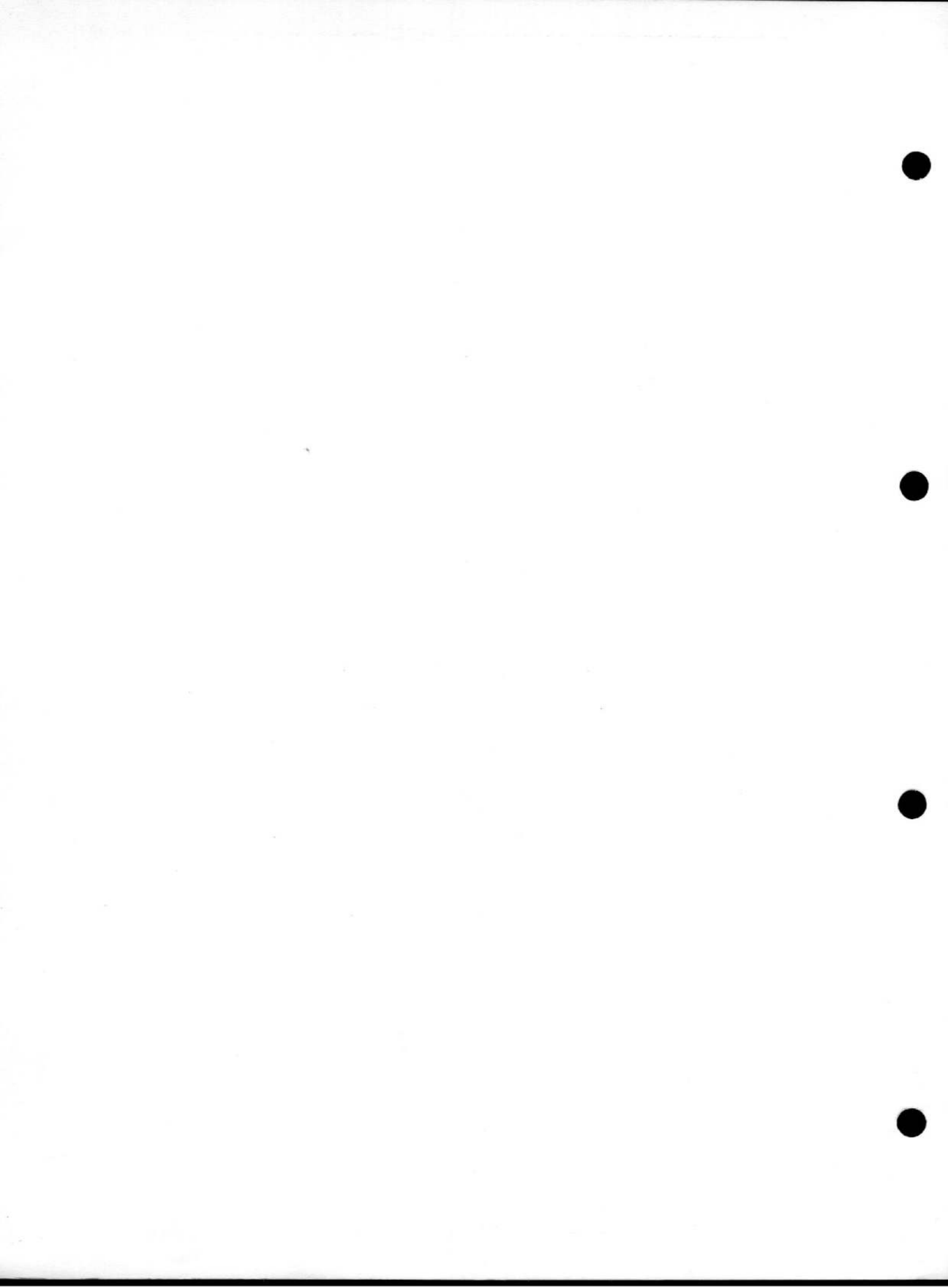








CENTRE FUSELAGE



This file was downloaded  
from the RTFM Library.

Link: [www.scottbouch.com/rtfm](http://www.scottbouch.com/rtfm)

Please see site for usage terms,  
and more aircraft documents.

