

FUSELAGE—FRONT PORTION

Ref. No.	Part No.	Description	No. Off					Material Specification	M.R. Class of Store	Plate No.
			1	2	3	4	5			
	E.218820 C.223837	FRONT FUSELAGE STRUCTURE, ASSEMBLY ... CABLES, HOISTING FOR AMMUNITION BOX, ASSEMBLY								
9454	F.223721	Block, attachment, group	1				—	C.	JC.5	
	F.223722	Barrel	1				S.1.B			
	F.223723	Block	1				L.65.C			
9456	F.223724	Collar, for attachment block... ..	1				S.1.B	C.	JC.5	
	A.223306	Sling, for ammunition box, group	1				—		JC.5	
9547	A.223305	Cable, group	2				—	C.	JC.5	
9458	A.223304	Yoke	1				L.72	C.		
4162	Std.915/B.22	Washer	2				L.72	C.	4	
10979	A.233275	Clamp, securing, stand-by battery (Mod. 979)	2				L.72	C.		
	B.219476	CROWBAR, PILOT'S, ASSEMBLY					—			
1A/3948	—	Crowbar	1				—	A.		
	E.219270	DECKING, FRONT, ASSEMBLY					—			
	A.212975	Bracket, mounting, port	1				L.72			
4101	A.111330	Clip, spring, for crowbar stowage	1				Sp. St.	C.	JC.1	
	F.213493	Packing, for mounting bracket, port	1				L.72			
	B.219131	Platform, windscreen, centre	1				L.72			
	D.219224	Platform, windscreen, port	1				L.72			
	D.219225	Platform, windscreen, starboard	1				L.72			
	E.219270/1	Skin	1				L.72			
	C.219505	STRUCTURE, FOR SWIVEL BLOCK MOUNT- ING, STARBOARD, ASSEMBLY					—			
	A.219445	Bracket	1				L.72		JC.2	
	A.219446	Bracket	1				L.72		JC.2	
1327	Std.1547/24/12	Washer, packing	8				DTD.610	C.	4	
	E.218671	DECKING, REAR, ASSEMBLY					—			
	D.218140	Beam, support, group	1				—			
	F.212722	Bracket, bearing, group	1				—		JC.2	
	F.212716	Bush	1				BSS.369		JC.2	
1603	Std.1700/1C	Bolt, securing access panel	1				S.95.B	C.	5	
4212	Std.1700/2C	Bolt, securing access panel	1				S.95.B	C.	5	
	D.209740	Diaphragm, frames 13 to 16, group	1				—			
	F.211930	Bracket, support, outboard	1				L.72		JC.2	
	F.211931	Bracket, support, inboard	8				L.72		JC.2	
	D.218030	Diaphragm, aft of hood, group	1				—			
	A.231428	Bracket, mounting for sequence valve (Mod. 813)	—				—			
	A.231389	Bracket, mounting	1				L.72			
	A.231390	Bracket, guide	1				L.72			
	Std.1231/4B	Lug, locking	1				—			
	F.189234	Plate, stud	4				S.3			
	D.218030/24	Strip, seating, for inflatable seal... ..	2				Rubber		JC.2	
	D.207238	Frame 16, top portion	1				—			
	D.207087	Frame 17A, top portion	1				—			
	D.207470	Frame 18A, top portion	1				—			
6660	A.207435	Housing	1				L.65.C	C.	JC.2	
	E.236125	MOUNTING, FOR AUTO STABILISER, ASSEMBLY (AS.860/44)					—			
	C.223530	Angle, mounting, aft	1				—			
	F.223537	Lug, mounting	1				—			
	C.223531	Angle	1				—			
	C.223529	Bracket, support	1				—			
	B.223532	Plate, mounting	1				—			
	B.223533	Plate, mounting	1				—			
	B.223535	Plate, mounting for combined monitor, group	1				—			
	10AJ/131	Mounting, equiplex	3				—	B.		
	4117	Washer, laminated	QR				—	C.		
	Std.1283-G	Tube, distance	2				—			
	Std.1509-20-020									

FUSELAGE—FRONT PORTION

Ref. No.	Part No.	Description	No. Off					Material Specification	M.R. Class of Store	Plate No.
			1	2	3	4	5			
8725	B.215924	Mounting, for inverter, type 206, group ...	1						JC.2	
	C.215840	Bracket, mounting, group ...	2						JC.2	
	C.215840/4	Strip, $\frac{1}{16}$ " thick \times $\frac{3}{4}$ " wide \times $5\frac{3}{4}$ " long ...	2				F.61		JC.2	
	A.221676	Strap, mounting, group ...	2					C.	JC.2	
	A.221676/3	Strip, $\frac{1}{16}$ " thick \times $\frac{3}{4}$ " wide \times $6\frac{1}{2}$ " long ...	1				F.61			
	D.211670	MOUNTING, TOP, SEAT STRUCTURE, ASSEMBLY								
10702	Std.1553/G/600	Bolt, link attachment ...	2				S.99.B	C.		
10706	B.211185	Link, for top mounting ...	2				Stpg.	C.	JC.2	
8726	A.211122	Panel, access, port ...	1				L.72	C.	JC.2	
8727	A.211123	Panel, access, starboard ...	1				L.72	C.	JC.2	
8728	A.212351	Panel, access, group ...	1					C.	JC.2	
	A.212351/2	Sealing, $\frac{1}{16}$ " thick ...	1				DTD.5509			
	C.218618	Panel, access ...	1				L.72		JC.2	
	F.224327	Plate, cover ...	2				L.72			
	C.216233	Platform, mounting ...	1				L.72		JC.2	
	E.218779-80	SKIN, REAR DECKING, ASSEMBLY								
	D.218696	Fairing, at top longeron, port ...	1				L.72			
	D.218697	Fairing, at top longeron, starboard ...	1				L.72			
	C.220897	PANEL, ACCESS, TO HYDRAULIC PIPES, PORT, ASSEMBLY								
8729	C.220898	Panel, access ...	1				L.72	C.	JC.1	
	C.218917	PANEL, ACCESS STARBOARD, ASSEMBLY								
8730	C.218919	Panel, access, starboard ...	1				L.72	C.		
	C.218150	PANEL, ACCESS, FRAMES 17B TO 18A, ASSEMBLY								
8731	C.218152	Panel, access ...	1				L.72	C.	JC.1	
	C.219035-6	PANEL, ACCESS. BETWEEN FRAME 16 AND HOOD PIVOT, ASSEMBLY								
8732	B.218966	Panel, access, port ...	1				L.72	C.	JC.1	
8733	B.218967	Panel, access, starboard ...	1				L.72	C.	JC.1	
	E.218779/1	Skin, side, port (undrilled) ...	1				L.72		JC.1	
	E.218780/1	Skin, side, starboard (undrilled) ...	1				L.72		JC.1	
	G.219100	Skin, top, between frames 16 to 18A ...	1				L.72			
	E.218811	STRUCTURE, TOP, AFT OF HOOD, ASSEMBLY								
8734	B.218946	Bracket, roller, group ...	2							
	F.213444	Roller ...	1				L.65.C	C.	JC.1	
	A.234940	Bracket, for micro switch (Mod. 789) ...	1							
	F.234946	Packing, at micro switch bracket (Mod. 789)	1							
	F.224328	Washer, joint ...	2				Syn. Rubber			
	C.211809	DUCT, FOR HYDRAULIC PIPES, ASSEMBLY								
	C.211809/1	Duct ...	1				L.62		JC.4	
	A.211810	Flange ...	2				S.3		JC.4	
	C.229994	DUCT, PURGING, GAS, ASSEMBLY (Mod. 745)								
10198	C.229787	Duct, purging, forward ...	1							
	B.229746	Outlet, starboard ...	1					C.		
10199	A.230275/1	Plate, sealing ...	1					C.		
	A.229730	Ring, attachment ...	1				L.65.C			
	A.234705	Ring, attachment ...	1				L.65.C			
	Dowty	Ring "O" ...	2					C.		
27QA/566	GD.1453/C Mk. 18	Seal ...	1				DTD.590	C.		
10196	F.229790									

FUSELAGE—FRONT PORTION

Ref. No.	Part No.	Description	No. Off	Material Specification	M.R. Class of Store	Plate No.
	D.218817	FLOOR AND DIAPHRAGM, AFT OF FRAME 15, ASSEMBLY	—	—		
	A.212442	Adaptor, group	1	—		
	F.212436	Bearing, spherical	1	L.65.C		
	C.223412	ADDITIONAL DETAILS, ASSEMBLY ...	—	—		
9460	F.223157	Bolt, special, securing spring to roller bracket	2	S.95.B	C.	JC.6
9461	A.222971	Bracket, mounting, for roller bracket ...	2	L.72	C.	JC.6
9462	B.222890	Bracket, roller	2	—	C.	JC.6
9463	F.222968	Roller, group	2	—	C.	JC.6
9464	F.222970	Spring	2	Sp. St.	C.	JC.6
9465	F.223040	Tube, distance, at attachment of brackets	2	T.26 or S.1	C.	JC.6
	A.223864	Base, steady for base extension	1	M.S. Bar		
9824	F.214514	Bearing, bottom of diaphragm, frame 15, group Consisting of:—	1	—	B.	JC.5
	F.214510	Bearing	1	L.65.C		
	F.214511	Nut	1	—		JC.5
	F.214513	Pin	1	BSS.369		
	F.214512	Spring	1	Sp. St. Wire		
	B.212242	Bracket, mounting, for oxygen charging valve ...	1	L.72		
	A.220669	Bracket, mounting, gun heating thermostat ...	1	—		
	A.220934	Bracket, supporting, armament and radio access panel, starboard	1	—		
	D.218754	Diaphragm, access door lands, group	—	—		
	D.218754/2	Angle	2	L.72		
	A.221238	Angle	1	L.72		
	A.221237	Angle	1	L.72		
	D.218754/1	Diaphragm	1	L.72		
	D.218754/3	Land	1	L.72		
	F.231691	Plate	1	—		
	F.209757*	Seal (Alternative to F.237461)	2	LFS.26		
	F.237461	Seal (Alternative to F.209757)	2	L.59		
	A.212713	Fitting, fork	1	L.56.C		
	C.216252	MOUNTING, ACCUMULATOR, ASSEMBLY (Pre Mod. 758)	—	—		
	C.236241	MOUNTING, ACCUMULATOR, ASSEMBLY (Mod. 758)	—	—		
8735	A.212384	Blot, accumulator fixing, group	4	—	C.	JC.6
	F.212385	End, fork... ..	1	S.95.B		
8736	B.212383	Tray, for accumulator	2	L.72	C.	JC.6
26FH/3675	Std.914/E/16	Washer, for bolt	2	S.1 or S.3	C.	4
	F.221290	Packing, piece at support bracket (Make from 30B/1723)	1	L.72		
9947	Aviation Developments 5348/410/8	Pin, pip, securing locking pin at rear gun mounting	1	—	C.	
	E.208002	FLOOR, PILOTS, ASSEMBLY	—	—		
	F.227784	Angle, mounting, for cabin temperature amplifier	1	L.72		
	F.227785	Angle, mounting, for cabin temperature amplifier	1	L.72		
9342	F.222352	Bolt-plate, for attachment of anchorage bracket, at access door, port	2	—	C.	JC.4
9343	F.222353	Bolt-plate, for attachment of anchorage bracket, at access, door, starboard	2	—	C.	
4212	Std.1700/2C	Bolt, at access panels	31	S.95.B	C.	5
	F.213439	Bracket, anchorage	4	L.65.C		JC.4
	F.213033	Bracket, stop	2	S.3 & S.21		JC.4
8738	A.210959	Gasket, for access panel	1	DTD.5509	C.	JC.4
8739	B.210960	Gasket, for access panel	1	DTD.5509 Grade "D"	C.	JC.4

FUSELAGE—FRONT PORTION

Ref. No.	Part No.	Description	1 2 3 4 5					No. Off	Material Specification	M.R. Class of Store	Plate No.
	B.213043	LEVERS, BRAKE CONTROL, TO FLOOR, ASSEMBLY						—			
8740	F.213029	Bearing					1	S.1	C.	JC.4	
8741	F.213031	Cover... ..					1	L.59	C.	JC.4	
8742	F.213030	Lever					1	S.1	C.	JC.4	
8743	F.213028	Lever, group					1	—	C.	JC.4	
	F.213027	Lever					1	S.1			
	F.213026	Lever, idling					2	S.1 or S.3			
2147	Std.915/C20	Washer					2	DTD.610	C.	4	
27QA/370	Dowty	Ring, sealing, "O" type					1	—	C.	JC.4	
	GD.1309/7										
	A.210789	Mounting, aileron 'feel' unit, group					1	—			
	A.201533	Bracket, mounting					2	L.65.C		JC.4	
	A.210789/1	Tube					1	L.62		JC.4	
	Std.1509/23/079	Tube, distance, $\frac{3}{8}$ " o/d × 17 s.w.g. × 0.79" long (Make from 30B/1784)					2	L.62	—	JC.4	
	B.210384	Mounting, for air bottle, group					6	—			
1510	F.189993	Channel					2	DTD.610	C.	JC.4	
	F.210425	Channel					1	L.72		JC.4	
1512	F.189988	Packing					2	L.72	C.	JC.4	
	F.210426	Packing					1	L.72		JC.4	
	B.210384/2	Seating, $\frac{1}{8}$ " thick × 0.6" wide					1	DTD.590		JC.4	
8745	B.207573	Panel, access to flying controls					1	L.72	C.	JC.4	
8746	B.207589	Panel, access to flying controls					1	L.72	C.	JC.4	
8747	C.207557	Panel, control column access, port, group					1	—	C.	JC.4	
8748	C.207558	Panel, control column access, starboard, group					1	—	C.	JC.4	
625	F.183710	Block, control column stop					2	DTD.364	C.	JC.4	
9693	F.225619	Block, guard					2	—	C.	JC.4	
4895	F.203268	Stud					2	S.95.B	C.	JC.4	
8749	A.215417	Seal, for control column access panels					2	Rubber	C.	JC.4	
1918	Std.1341/2	Stud, control column access panel					8	—	C.	4	
1919	Std.1341/3	Stud, control column access panel					2	—	C.	4	
1921	F.168421	Stud, control column access panel					4	—	C.	JC.4	
8750	F.215667	Stud, control column access panel					2	—	C.		
—	Std.1509/23/058	Tube, distance, $\frac{3}{8}$ " o/d × 17 s.w.g. × 0.58" long (Make from 30B/1784)					2	L.62	—		
—	Std.1509/23/079	Tube, distance, $\frac{3}{8}$ " o/d × 16 s.w.g. × 0.79" long (Make from 30B/1784)					2	L.62	—		
—	Dowty SP.815/2	Washer, sealing, control column across panels ... (Use 28F/9429636)					145	—	—		
	D.219115	JOINTS, AT FRAMES 12 TO 15, ASSEMBLY ...					—	—			
	F.209345	Angle, sealing, frame 13					2	L.72			
	F.208385	Channel, mounting, on forward joint plate, frame 12					1	L.72			
	E.222608	FRAME 14, ASSEMBLY ...					—	—			
	F.222482	Block, swivel, for ammunition box hoisting cable, group					1	—			
	F.222486	Block, group Consisting of:—					1	—		JC.5	
28P/16270	SP.113/E4 $\frac{1}{2}$	Pin					1	—	C.		
28P/12431	SP.9/C6	Pin, split					1	—	C.		
28R/13496	AS.1860	Pulley					1	—	B.		
10233	F.234965	Strop (Mod. 858)					1	—	C.	JC.5	
9466	F.222484	Strop (Pre Mod. 858)					1	—	C.		
9353	Std.915/E22	Washer					1	DTD.610	C.	4	
9467	F.222480	Bracket, pivot					1	DTD.249	C.	JC.5	
9468	F.222481	Pin					1	S.61.B	C.		
	F.222483	Bracket, mounting, for pulley					1	S.510			
	E.219113	Frame 14, centre portion, group					1	—			
	E.219111/2	Angle					5	L.72			
	E.219111/15	Angle (Make from Std.550/M/18)					1	—			
	E.219112/11	Angle (Make from Std.550/M/18)					1	—			

FUSELAGE—FRONT PORTION

Ref. No.	Part No.	Description	No. Off					Material Specification	M.R. Class of Store	Plate No.	
			1	2	3	4	5				
	E.219113/10	Angle (Make from Std.550/J/20)						2	—		
	E.219113/12	Angle (Make from Std.550/M/18)						1	—		
	B.219004	Angle, for door landing						1	—		
	F.212666	Angle, mounting, group						1	L.72		
	F.212667	Plate, nut						1	S.3		
	F.230929	Angle, for oxygen charging valve (Mod. 745)						1	—		
	F.223063	Bracket, mounting, for roller						1	S.510		
	B.212663	Bracket, mounting						2	L.72		
	B.213660	Bracket, mounting						1	L.72		
	B.213661	Bracket, mounting						1	L.72		
	A.230927	Bracket, mounting, for oxygen charging valve (Mod. 745)						1	—		
	A.213247	Channel, mounting						1	L.72		
	E.219113/1	Diaphragm						1	L.72		
	B.219003	Landing, for door						1	L.72		
8751	E.219113/11	Landing, $\frac{3}{8}$ " thick x 0-65" wide x 1-8" long						3	DTD.5509	C.	
	E.219111/16	Landing, $\frac{1}{4}$ " thick x 0-65" wide						1	DTD.5509		
	F.212664	Lug, at top of frame 3						1	L.72		
1708	A.193141	Mounting, for anti-'G' air filter						1	—	C.	
	E.219113/14	Packing						1	L.72		
	A.177391	Plate, joint						15	L.72		
	A.177392	Plate, joint						2	L.72		
	F.211211	Plate, joint						2	L.72		
	F.211212	Plate, joint						1	L.72		
	F.212667	Plate, nut						1	—		
	A.230994	Plate, reinforcing, for oxygen charging valve (Mpd. 745)						1	—		
8432	Chekaleke No. 6	Plug						18	—	C.	
8755	F.213646	Roller						1	LFB.82	C.	
	E.219113/3	Stiffener (Make from Std.1591/B/18)						1	—		
	E.219113/4	Stiffener (Make from Std.772/Z/18)						1	—		
	E.219113/5	Stiffener (Make from Std.772/Z/18)... ..						1	—		
	E.219113/7	Stiffener (Make from Std.1358/A/20)						2	—		
	E.219113/8	Stiffener (Make from Std.1358/A/20)						3	—		
	E.219113/15	Stiffener						1	L.72		
	E.219113/16	Stiffener						1	L.72		
	A.209741	Strip, retaining, for rubber landing at bottom of frame						1	L.72		
	Std.1507/2/50	Tube, distance, $\frac{1}{4}$ " o/d x 22 s.w.g. x 5" long						11	T.26		
5785	Std.915/C16	Washer, for attachment of roller						1	DTD.610	C.	
10234	F.234966	Guard (Mod. 858)						1	—	C.	JC.5
	Std.1547/16/12	Packing, radiused, for upper ammunition box rail						3	DTD.610		
26FH/3474	Std.1547/20/12	Packing, radiused, for lower guide rail						1	DTD.610	C.	4
	Std.2034/15/6 to 26	Packing, strip, at guide rails (thickness to suit)						3 sets	L.72		
	Std.2034/45/6 to 26	Packing, strip, at lower ammunition box rails (thickness to suit)						2 sets	L.72		
	Std.2034/89/6 to 26	Packing, strip, at lower ammunition box rail, (thickness to suit)						1 set	L.72		
	Std.2034/103/6 to 26	Packing, strip, at lower ammunition box rail, (thickness to suit)						1 set	L.72		
	Std.2034/114/6 to 26	Packing, strip, at lower guide rail (thickness to suit)						1 set	L.72		
	Std.2034/133/6 to 26	Packing, strip, at lower guide rail (thickness to suit)						1 set	L.72		
	Std.2034/156/6 to 26	Packing, strip, at upper guide rail (thickness to suit)						2 sets	L.72		
	Std.2034/160/6 to 26	Packing, strip, at upper ammunition box rail (thickness to suit)						1 set	L.72		

FUSELAGE—FRONT PORTION

Ref. No.	Part No.	Description	No. Off					Material Specification	M.R. Class of Store	Place No.
			1	2	3	4	5			
	C.222716	Rail, ammunition box, upper (Make from Std.1715/21)						1	—	
	C.222717	Rail, ammunition box, upper (Make from Std.1715/21)						1	—	
	C.222718	Rail, ammunition box, lower (Make from Std.1715/21)						1	—	JC.5
	C.222719	Rail, ammunition box, lower (Make from Std.1715/21)						1	—	JC.5
	C.222706	Rail, guide, lower, for ammunition box (Make from Std.1715/21)						1	—	JC.5
	C.222707	Rail, guide, lower, for ammunition box (Make from Std.1715/21)						1	—	JC.5
	C.222708	Rail, guide, upper, for ammunition box (Make from Std.1715/21)						1	—	JC.5
	F.222733	Stop, ammunition box, at top rails						1	L.65.C	JC.5
	Std.1509/2/155	Tube, distance (AS.790/66)						4	—	
	E.222609	FRAME 15, ASSEMBLY						—	—	
	F.222688	Angle, guide, at lower ammunition box rail						1	L.65.C	JC.5
	F.222487	Block, swivel, for ammunition box hoisting cable, group						1	—	
	F.222486	Block, group Consisting of:—						1	—	JC.5
		Pin						1	—	C.
		Pin, split						1	—	C.
		Pulley						1	—	B.
		Strop (Pre Mod. 858)						1	—	C.
		Strop (Mod. 858)						1	—	C.
		Washer (AS.740/42)						1	DTD.610	C.
		Bracket, pivot						1	BSS.369	C.
		Pin						1	S.61.B	C.
		Bracket, mounting, for pulley						1	S.510	
		Frame 15, centre portion, group						1	—	
		Angle (Make from Std.550/H/18)						1	—	
		Angle, mounting						4	L.72	
		Bracket, support						2	S.3	
		Bracket, mounting						1	L.72	
		Bracket, mounting						1	L.72	
		Bracket, earth terminal						1	L.72	
		Butt-strap						1	L.72	
		Butt-strap						1	L.72	
		Channel						1	—	
		Diaphragm						1	L.72	
		Fitting, attachment, for ammunition box						1	Stamping	
		Fitting, attachment, for ammunition box						1	Stamping	
		Fitting, attachment, for ammunition box						1	Stamping	
		Plate, reinforcing						1	L.72	
		Plate, reinforcing						1	L.72	
		Plate, reinforcing						1	DTD.166	
		Plate, reinforcing						2	DTD.166	
		Plate, reinforcing						1	DTD.166	
		Plate, reinforcing						1	L.72	
		Plate, stud						5	—	
		Plate, reinforcing						1	L.72	
		Plate, support						1	L.56.C	
		Plate, support						1	L.56.C	
		Saddle						2	DTD.610	C.
		Shim, for each terminal bracket						2	L.16	
		Stud						1	—	C.
28P/16270	SP.113/E4½									
28P/12431	SP.9/C6									
28R/13496	AS.1860									
9466	F.222484									
10233	F.234965									JC.5
3953	Std.915/E22									4
9469	F.222488									JC.5
9468	F.222481									
	F.222489									
	E.218997									
	E.218997/13									
	F.212320									
	F.211569									
	A.212273									
	A.212274									
	A.213826									
	E.218997/4									
	E.218997/5									
	A.208628									
	E.218997/1									
	B.208632									
	B.208633									
	B.223635									
	E.218997/2									
	E.218997/14									
	E.218997/15									
	E.218997/16									
	E.218997/22									
	F.212275									
	F.212936									
	E.218997/23									
	A.211660									
	A.211661									
4211	Std.1687/2									5
	F.214743									
26AQ/5526	F.176179									

Hunter T. Mk. 7
Issued with A/L No. 10

FUSELAGE—FRONT PORTION

Ref. No.	Part No.	Description					No. Off	Material Specification	M.R. Class of Store	Plate No.
		1	2	3	4	5				
	E.218997/3						—			
	E.218997/6					1	—			
	E.218997/19					1	—			
	E.218997/20					1	—			
	E.218997/21					1	—			
—	Std.1509/23/160					3	L.62	—		
3803	Std.1509/24/085					8	L.62	MR/C	4	
—	Std.1509/24/105					8	L.62	—		
10234	F.234966					1	—	C.	JC.5	
9470	F.222687					1	—	C.	JC.5	
	Std.1547/16/12					4	DTD.610			
	Std.2030/19/78					1	L.72			
	Std.2034/19/6 to 26					1	L.72			
	Std.2034/26/6 to 26					set				
	Std.2034/52/6 to 26					1	L.72			
	Std.2034/99/6 to 26					set				
	Std.2034/161/6 to 26					1	L.72			
	Std.2034/175/6 to 26					set				
	Std.2035/15/6 to 26					1	L.72			
	Std.2035/25/6 to 26					set				
	Std.2035/99/6 to 26					1	L.72			
	C.222720					set				
	C.222721					1	—		JC.5	
	C.222722					1	—		JC.5	
	C.222709					1	—		JC.5	
	F.222733					1	L.65.C		JC.5	
—	Std.1509/2/130					5	L.42	—		
—	Std.1509/2/135					1	L.62	—		
3125‡	A.181709					2	DTD.610	MR/C		
	C.208381					1	L.72			
	C.208382					1	L.72			
	A.222619					1	L.72			
	A.222620					1	L.72			

RESTRICTED

Hunter T. Mk. 7
Issued with A/L No. 10

FUSELAGE—FRONT PORTION

Ref. No.	Part No.	Description	1 2 3 4 5					No. Off	Material Specification	M.R. Class of Store	Plate No.
			1	2	3	4	5				
	D.223409	MOUNTINGS, FOR AMMUNITION BOX, ASSEMBLY						—			
9940	A.211063	Bracket, mounting, frame 14, inboard, group ...					1	—		JC.5	
	F.211205	Bush					1	BSS.369			
	A.226422	Bracket, mounting, frame 14, inboard, starboard, group					1	—	C.	JC.5	
	F.226416	Bush					1	—			
	B.211061	Bracket, mounting, frame 14, outboard, starboard, group					1	—		JC.5	
	B.211062	Bracket, mounting, frame 14, outboard, port, group					1	—		JC.5	
	F.211064	Bush					1	BSS.369		JC.5	
	B.223523	Bracket, mounting, frame 15, inboard, port, group					1	—		JC.5	
	F.211065	Bush					1	BSS.369			
	B.211100	Bracket, mounting, frame 15, inboard, starboard, group					1	—		JC.5	
	F.226415	Bush (AS.780/41)					1	BSS.369			
	A.215779	Bracket, mounting, frame 15, outboard, port, group					1	—		JC.5	
	A.215780	Bracket, mounting, frame 15, outboard, starboard group					1	—		JC.5	
	8756	B.215596	Bracket, mounting, port					1	Stmpg.		JC.5
B.215507		Bracket, mounting, starboard					1	Stmpg.		JC.5	
F.211098		Bush					1	BSS.369		JC.5	
F.211097		Nut					1	S.1B		JC.5	
F.211096		Pin, group					1	—	C.	JC.5	
F.209042		Handle					1	S.1B			
F.209041		Nut					1	S.1B			
F.211103		Pin					1	S.80			
Std.1996/19		Chain (AS.860/24)					1	—			
F.211079-82		Packing, at mounting bracket, frame 14, inboard					QR	L.72			
F.211075-78		Packing, at mounting bracket, frame 14, outboard					QR	L.72			
F.211134-37		Packing, at mounting bracket, frame 15, inboard					QR	L.72			
F.223519/22		Packing, at mounting bracket, frame 15, inboard, port					QR	L.72			
F.211130-33		Packing, at mounting bracket, frame 15, inboard, starboard					QR	L.72			
8757	F.211114-17	Packing, at mounting bracket, frame 15, outboard					QR	L.72			
	F.211110-13	Packing, at mounting bracket, frame 15, outboard					QR	L.72			
	A.211518	Pin, group					2	—	C.	JC.5	
	F.209042	Handle					1	S.1B			
8758	F.211519	Lug					1	S.3			
	A.211518/1	Pin					1	S.80			
	Aviation Developments 5348/403/6	Pin, pipe					2	—	C.		
	C.211160	MOUNTINGS, FOR OXYGEN CYLINDERS					—	—			
C.211160/1	Packing, $\frac{3}{16}$ " thick \times 1-5" wide \times 5-65" long ...					4	DTD.590		JC.3		
C.211160/2	Packing, $\frac{3}{16}$ " thick \times 1-5" wide \times 1-5" long ...					16	DTD.590		JC.3		
C.211160/3	Packing, $\frac{3}{8}$ " thick \times 1-25" wide \times 3-0" long ...					4	DTD.590		JC.3		
	C.211665	MOUNTING, RADIO, ASSEMBLY					—	—			
28FP/7	A.213704	Bracket, mounting, for aerial relay... ..					1	—			
	Aviation Development A.413	Pin, pip					2	—	C.		
10974	A.233274	Rod, tie securing standby battery (Mod. 979)					4	M.S.	C.		

RESTRICTED

FUSELAGE—FRONT PORTION

Ref. No.	Part No.	Description	No. Off					Material Specification	M.R. Class of Store	Plate No.
			1	2	3	4	5			
	D.209893-4	STRUCTURE, BENEATH PILOT'S FLOOR, FRAMES 6 TO 10, ASSEMBLY								
611	F.177456	Bearing, for rudder control lever	1				DTD.364	C.	JC.6	
	B.209824	Box, sealing, for flying controls	2				—	—		
	C.209825	Box, sealing, control column, group	2				—	—		
1867	A.194272	Gasket, sealing	1				DTD.5590/C	C.	JC.6	
4443	A.202036	Panel, access	1				L.72	C.	JC.6	
	Dowty SP.815/2	Washer, sealing (Use 28F/9429636)	8				—	—		
	B.216158	Duct, forward, pressurising, port	1				—	—	JC.6	
	B.216159	Duct, forward, pressurising, starboard	1				—	—	JC.6	
	A.216160	Duct, centre, pressurising, port	1				L.59	—	JC.6	
	A.216161	Duct, centre, pressurising, starboard	1				L.59	—	JC.6	
	A.222155	Plate, reinforcing and mounting, for bearing	1				L.72	—	JC.6	
	F.214491	Ring, nut (in halves)	4				—	—		
	D.217040	STRUCTURE, BENEATH FLOOR, BETWEEN FRAMES 10 and 11, ASSEMBLY								
2A/9500153	B.A.L.020	Bearing, in mounting bracket, at frame 11	1				—	B.	JC.6	
2A/9500424	Hoffmann T.29	Bearing, in keel member	2				—	B.	JC.6	
	F.208530	Bearing, in jack anchorage diaphragm	1				S.95.B	—	JC.6	
	A.216962	Bracket, mounting, at frame 11	1				L.72	—	JC.6	
	A.216963	Bracket, support, at frame 11	1				L.72	—	JC.6	
	F.231382	Bracket, support for restrictor valve (Mod. 757)	1				—	—	JC.6	
	B.216156	Duct, aft, pressurising, port	1				—	—	JC.6	
	B.216157	Duct, aft, pressurising, starboard	1				—	—	JC.6	
	A.229555	Housing, bearing	1				—	—	JC.6	
	A.229508	Housing, bearing	1				—	—	JC.6	
	A.207277	Housing, bearing	1				L.65.C	—	JC.6	
	C.208526	Landing, access panel	1				L.72	—	JC.6	
8759	A.209134	Panel, access, for nose wheel undercarriage jack	1				L.72	C.	JC.1	
	F.214491	Ring, nut (in halves)	4				—	—		
2144	Std.1231/3	Tab, locking, nosewheel jack anchorage bearing	1				S.3	C.	4	
6819	F.178337	Thimble	1				—	C.		
	Std.1509/2/100	Tube, distance, at pressurising duct, $\frac{1}{4}$ " o/d x 22 s.w.g. x 1-0" long	12				T.4	—		
	E.209146	STRUCTURE, BETWEEN KEEL MEMBERS, FRAMES 6 TO 9, ASSEMBLY								
	F.181817	Angle	2				DTD.610	—		
	F.207324	Bearing, in diaphragm, at frame 7	1				L.65.C	—	JC.6	
	F.182411	Bracket, switch mounting	1				S.3	—		
	A.222131	Bracket, bearing, rudder lever, group	1				—	—	JC.6	
611	F.177456	Bearing, rudder control lever	1				DTD.364	C.	JC.6	
	F.207325	Bush, flanged	1				L.65.C	—	JC.6	
	B.211984	Channel, for nose wheel stop	1				L.72	—	JC.6	
	B.208889	Diaphragm, for nose wheel stop	1				L.72	—	JC.6	
	A.207661	Mounting, for lever and micro switch	1				—	—	JC.6	
8760	A.209922	Pad	1				Rubber	C.	JC.6	
6914	A.181814	Plate, joint, forward Fr. 8	1				DTD.610	MR/C	JC.6	
	A.181815	Plate, joint, aft Fr. 8	1				DTD.610	—		
	F.182412	Plate, profile, Fr. 8	1				DTD.610	—		
8761	F.216164	Plate, retaining, for rubber pad	1				DTD.166	C.	JC.6	
	A.208890	Stiffener, skin, at rear nose wheel door	1				L.72	—	JC.6	
6813	B.177144	Stop, nose wheel lock... ..	1				—	MR/C	JC.6	
	F.208906	Strap, butt, at frame 9	1				L.72	—	JC.6	
	B.209284	Strap, butt, at frame 9	1				L.72	—	JC.6	
	Std.1509/23/034	Tube, distance, $\frac{5}{16}$ " o/d x 17 s.w.g. x 0-34" long (Make from 30B/1784)	2				L.62	—		
26AQ/2948	Std.1548/24/12	Washer, profile... ..	2				DTD.610	C.		
	F.225579	Washer, profile... ..	2				L.72	—		

FUSELAGE—FRONT PORTION

Ref. No.	Part No.	Description	No. Off	Material Specification	M.R. Class of Store	Plate No.
E.220883		STRUCTURE, FRAMES 1C TO 6, ASSEMBLY ... (Pre Mod. 803)	-	-		
E.234729		STRUCTURE, FRAMES 1C TO 6, ASSEMBLY (Mod. 803)	-	-		
E.215965-6		ADDITIONAL STIFFENING, BETWEEN FRAMES 1D AND 6, ASSEMBLY	-	-		
F.210688		Angle, at frame 2	2	L.72		
F.210689		Angle, at frame 2	2	L.72		
F.215983		Angle, at frames 1D and 2	4	L.72		
F.215984		Angle, at frames 1D and 2	4	L.72		
F.216449		Angle, at frame 3, port	1	L.72		
F.216450		Angle, at frame 3, starboard	1	L.72		
A.216489		Angle, at frame 3	2	L.72		
F.216041		Angle, at frame 4	2	L.72		
F.216042		Angle, at frame 5	2	L.72		
F.216490		Angle, at frame 6	2	L.72		
F.216441		Channel, at frame 3, port	1	L.72		JC.3
F.216442		Channel, at frame 3, starboard	1	L.72		JC.3
E.215965/1		Skin, inner, port	1	L.72		JC.3
E.215966/1		Skin, inner, starboard	1	L.72		
B.215883		Stiffener, frames 1D to 2, port	1	L.72		JC.3
B.215884		Stiffener, frames 1D to 2, starboard	1	L.72		JC.3
B.215885		Stiffener, frames 2 to 3, port	1	L.72		JC.3
B.215886		Stiffener, frames 2 to 3, starboard	1	L.72		JC.3
B.215887		Stiffener, frames 3 to 4, port	1	L.72		JC.3
B.215888		Stiffener, frames 3 to 4, starboard	1	L.72		JC.3
B.215889		Stiffener, frames 4 to 5, port	1	L.72		JC.3
B.215890		Stiffener, frames 4 to 5, starboard	1	L.72		JC.3
B.215891		Stiffener, frames 5 to 6, port	1	L.72		JC.3
B.215892		Stiffener, frames 5 to 6, starboard	1	L.72		JC.3
B.215893		Stiffener, between frames 5 and 6, port	1	L.72		JC.3
B.215894		Stiffener, between frames 5 and 6, starboard	1	L.72		JC.3
E.220883/3		Angle, bottom, frames 1C to 6, port (Make from Std.1679/1)	1	DTD.364		JC.3
E.220883/4		Angle, bottom, frames 1C to 6, starboard (Make from Std.1679/1)	1	DTD.364		JC.3
B.209401		Beam, mounting, radar ranging unit, port	1	-		
B.209402		Beam, mounting, radar ranging unit, starboard	1	-		
B.209124		RRACKET, NOSE WHEEL DOOR JACK, ASSEMBLY	-	-		
F.209128		Bracket	1	L.72		
B.209126		Bracket, inboard	1	L.72		
B.209127		Bracket, outboard	1	L.72		
B.209125		Bracket, anchorage, group	1	-		JC.2
F.179027		Bearing	2	S.1		
C.215912		BRACKET, REINFORCING, AFT OF FRAME 1C, ASSEMBLY	-	-		
B.215913		Bracket, port	1	L.72		JC.3
B.215914		Bracket, starboard	1	L.72		JC.3
B.216179		DUCT, FOR CABLES, PORT, ASSEMBLY ...	-	-		JC.2
A.219398		Channel	1	L.72		

FUSELAGE—FRONT PORTION

Ref No.	Part No.	Description					No. Off	Material Specification	M.R. Class of Store	Plate No.
		1	2	3	4	5				
	C.207740	FASTENERS, NOSE PIECE ATTACHMENT, ASSEMBLY					—	—		
9390	F.220447	Hook					4	S.1	C.	JC.6
633	F.178626	Latch					4	S.3	C.	JC.6
9391	A.220638	Lever					4	DTD.966	C.	JC.6
28FP/5	A.409	Pin, pip					4	—	C.	JC.6
636	F.166450	Spring					4	Sp. St.	C.	JC.6
3794	Std.1509/2/104	Tube, distance, 1/4" o/d x 22 s.w.g. x 1-04" long (Make from 30B/1780)					8	L.62	MR/C	4
—	Std.1509/2/112	Tube, distance, 1/4" o/d x 22 s.w.g. x 1-12" long (Make from 30B/1780)					4	L.62	—	
9392	F.220446	Washer, at hook attachment					4	Rubber	C.	JC.6
	D.232174	Frame, No. 1C, rear, group (Mod. 803)					1	—		
	F.218944	Angle, attachment, for junction box, group					2	—		
8541	F.218942	Bush					1	Rubber	C.	
8542	F.218943	Washer					2	Rubber	C.	
	A.218945	Bracket, attachment, group					1	—		
8541	F.218942	Bush					2	Rubber	C.	
8542	F.218943	Washer					4	Rubber	C.	
	F.213351	Spigot					2	S.1		JC.3
	D.207541	Frame, No. 1D, group					1	—		
	D.207541/4	Plate, joint, port					1	L.72		
	D.207541/5	Plate, joint, starboard					1	L.72		
	D.207541/2	Side portion, port					1	L.72		JC.2
	D.207541/3	Side portion, starboard					1	L.72		
	D.207012	Frame, No. 2, group					1	—	C.	
	D.207012/7	Landing					1	L.72		
	D.207012/4	Plate, joint, top, port					1	L.72		
	D.207012/5	Plate, joint, top, starboard					1	L.72		
	D.207012/6	Plate, joint, bottom					1	L.72		
	D.207012/1	Side portion, port					1	L.72		JC.2
	D.207012/2	Side portion, starboard					1	L.72		JC.2
	E.232186	Frame, No. 3, group (Mod. 803)					1	—		JC.2
	F.214092	Angle					1	L.72		JC.2
	E.232186/3	Angle, bottom of frame (Mod. 803) Identical with E.207394/3					1	L.72		
	F.207613	Angle, bottom of frame, port					1	L.72		
	F.207614	Angle, bottom of frame, starboard					1	L.72		
	F.210432	Cleat, bottom of frame, port					1	L.72		
	F.210433	Cleat, bottom of frame, starboard					1	L.72		
	D.207011	Frame, No. 4, group					1	—		
	D.207011/4	Plate, joint, port					1	L.72		
	D.207011/5	Plate, joint, starboard					1	L.72		
	D.207011/1	Side portion, port					1	L.72		JC.2
	D.207011/2	Side portion, starboard					1	L.72		JC.2
	E.207377	Frame, No. 5, group					1	—		
	C.229742	Angle, bottom of frame, starboard					1	—		
	C.229744	Angle, bottom of frame, starboard					1	—		
	F.229645	Angle, bottom of frame, starboard (Mod. 730)					2	—		
	E.207377/4	Plate, joint, port					1	L.72		
	E.207377/5	Plate, joint, starboard					1	L.72		
	E.207377/1	Side portion, port					1	L.72		
	E.207377/2	Side portion, starboard					1	L.72		
	F.246147	Frame, No. 6, group (Mod. 890)					1	—		JC.2
	E.234728/19	Angle, starboard (Make from Std.1598/X/14) (Identical with E.207327/19)					1	—		
	E.234728/20	Angle, port (Make from Std.1598/X/14) (Identical with E.207327/20)					1	—		
	E.234728/23	Angle, starboard (Make from Std.1498/X/14) (Identical with E.207327/23)					1	—		

FUSELAGE—FRONT PORTION

Ref. No.	Part No.	Description					No. Off	Material Specification	M.R. Class of Store	Plate No.
		1	2	3	4	5				
	E.234728/24						1	—		
	A.230186						1	—		
	F.230189						2	—		
	A.211981						1	L.72		
	F.230785						1	—		
	A.211983						1	—		
	A.211982						1	L.72		
	A.207406						2	S.3		
	B.230494						1	Casting		
	B.211684						1	Casting		JC.2
	B.212309						2	L.72		
	E.234728/29						2	L.72		JC.2
8432	Chekaleke No. 6						16	—	C.	
	E.234728/25						1	L.72		
	E.234728/26						1	L.72		
	E.234728/27						1	L.72		
	E.234728/28						1	L.72		
	A.211890						1	L.72		
	A.211891						1	L.72		
	B.210386						1	L.72		
	B.210387						1	L.72		
	D.236561						—	—		
	F.236572						1	L.72		
26FH/3474	Std.1547/20/12						2	—	MR/C	
	Std.915/X/18						3	—		
8762	F.221510						4	S.96.B	C.	
	F.209665						1	L.65.C		
	F.209666						1	L.65.C		
	F.209663						1	L.65.C		
	F.209664						1	L.65.C		
	B.207749						1	L.72		JC.3
	C.207750						1	L.72		JC.3
	C.207751						1	L.72		JC.3
	C.207458						1	L.72		JC.3
	C.207459						1	L.72		JC.3
8618	E.210698						1	—	B.	JC.1
8763	K.A.C. C.6595						4	—	C.	JC.1
8764	K.A.C. D.6597						4	—	C.	JC.1
8765	K.A.C. D.5089						4	—	C.	JC.1
	G.219088						1	L.72		
	G.219079-87						—	—		
	G.219079/2						1	L.72		
	G.219080/2						2	L.72		
	G.219080/3						2	L.72		
	G.219082/2						2	L.72		
	G.219083/4						1	L.72		
	G.219080/5						1	L.72		
	G.219081/3						1	L.72		
	G.219080/6						1	L.72		
	G.219081/2						1	L.72		
	G.219079/1						1	L.72		

FUSELAGE—FRONT PORTION

Ref. No.	Part No.	Description					No. Off	Material Specification	M.R. Class of Store	Plate No.
		1	2	3	4	5				
	G.219080/1						1	L.72		JC.1
	G.219081/1						1	L.72		JC.1
	G.219082/1						1	L.72		JC.1
	G.219083/1						1	L.72		JC.1
	G.219084/1						1	L.72		JC.1
	G.219085/1						1	L.72		JC.1
	G.219086/1						1	L.72		JC.1
	G.219087/1						1	L.72		JC.1
	G.219083/2						1	L.72		JC.1
	G.219083/3						1	L.72		JC.1
	G.219086/2						1	L.72		JC.1
	G.219087/2						1	L.72		JC.1
	F.215945						2	S.96.B		JC.1
	B.209205						-	-		
8766	F.219718						8	S.94.B	C.	JC.3
	B.209206						2	L.72		JC.3
	A.219654						1	L.72		JC.3
	A.219655						1	L.72		JC.3
8767	Std.2019/1						4	S.511	C.	JC.3
	F.219658						2	S.95.B		JC.3
8768	A.209207						2	Stpg.	C.	JC.3
	B.231680						-	-		
9768	F.231308						1	-	C.	
4242	Std.1231/7						1	-	C.	4
	Std.1231/7B						1	-		4
	C.229644						1	-		
	F.230883						1	W.9		
28FP	Dzus. AW.425						2	-	C.	
	C.210361						-	-		
	B.210422						1	L.72		JC.3
	B.210423						1	L.72		JC.3
	C.210334						1	-		JC.3
	C.210335						1	-		JC.3
	F.210336						2	L.72		
	F.210337						2	L.72		
	F.210340						2	L.72		
8803	F.209440						2	L.65C and L.72	C.	JC.3
9809	King Aircraft Corporation C.7810						2	-	C.	JC.3
	A.210860						1	L.72		JC.3
	A.210861						1	L.72		JC.3
	F.210338						1	L.72		
	F.210339						1	L.72		
	F.210341						4	L.72		
	G.219048-9						-	-		
	A.217819						1	L.72		
	C.222059-60						-	-		
8828	F.211372						1	S.3	MR/C	JC.1
8829	F.211373						1	S.3	MR/C	JC.1
8830	F.211374						1	S.3	MR/C	JC.1
8831	F.211375						1	S.3	MR/C	JC.1

FUSELAGE-FRONT PORTION

Ref. No.	Part No.	Description					No. Off	Material Specification	M.R. Class of Store	Plate No.
		1	2	3	4	5				
8832	C.211476/1	Landing, upper, port	1	L.72	MR/C	JC.1
8833	C.211477/1	Landing, upper, starboard	1	L.72	MR/C	JC.1
8834	B.211478/1	Landing, lower, port	1	L.72	MR/C	JC.1
8835	B.211479/1	Landing, lower, starboard	1	L.72	MR/C	JC.1
3816	Std.1547/30/16	Washer, packing	16	DTD.610	MR/C	4
	E.214868	ATTACHMENT OF FRAMES 8 TO 18A TO TOP LONGERON ASSEMBLY (Mod. 778)					-	-		
	C.220439	BRACKET, SEALING, ASSEMBLY					-	-		
	F.230944	Plate, nut (Port)	1	-		
	F.230945	Plate, nut (Starboard)	1	-		
8458	F.219973	Bolt, special	2	-	C.	JC.5
	A.213970	Bracket, for altitude switch, port	1	L.72		JC.2
	A.213631	Bracket, mounting, starboard	1	L.72		
	A.213549	Bracket, mounting, starboard	1	L.72		
	B.214605	Bracket, mounting, for cable attachment, starboard	1	L.72		
	B.216432	BRACKET, MOUNTING FOR FLAP VALVE, ASSEMBLY					-	-		
	B.216431	Bracket, mounting	1	L.72		
	B.212051	BRACKET, MOUNTING, FOR GAUGE, PORT, ASSEMBLY					-	-		
	B.212025	Bracket, mounting	1	L.72		JC.2
	C.212132	Bracket, support, top, between frames 7 and 8, port	1	L.72		JC.2
	C.212133	Bracket, support, bottom, between frames 7 and 8, port	1	L.72		JC.2
	D.207249-50	FLOOR, REAR SIDE PORTION, ASSEMBLY					-	-		
	A.212600	Channel, support, for anti-"G" valve, starboard	1	L.72		JC.4
	C.211319-20	FOOTSTEPS, PORT AND STARBOARD, ASSEMBLY					-	-		
4889	B.200745	Door, footstep, group	2	-	B.	JC.1
1518	Mills	Pin, type GP.4, $\frac{5}{16}$ " dia. x $\frac{3}{8}$ " long	2	Comml. M.S.	C.	JC.1
	F.200736	Plunger	2	S.1	C.	JC.1
1520	F.189113	Spring, release	1	Sp. St.	C.	JC.1
1521	F.189105	Spring, torsion, front	1	Sp. St.	C.	JC.1
1522	F.189106	Spring, torsion, rear	1	Sp. St.	C.	JC.1
	E.207171	Frame, 7, port	1	-		
	E.207172	Frame, 7, starboard	1	-		
	F.175105	Angle, attachment, port	1	DTD.610		
	F.175106	Angle, attachment, starboard	1	DTD.610		
	F.175107	Angle, attachment, rear, port	1	DTD.610		
	F.207173	Angle, attachment, rear, starboard	1	L.72		
	F.176977	Angle, attachment, port and starboard	4	DTD.364		
	F.182173	Angle, port	1	DTD.610		
	F.182174	Angle, starboard	1	DTD.610		
	A.175103	Block, sealing, port	1	LFS-21 and BSS.972		
	A.175104	Block, sealing, starboard	1	LFS-21 and BSS.972		
	B.230413	Bracket, for flasher unit (Mod. 741)	1	L.72		
	B.207405	Bracket, reinforcing, port and starboard	2	S.3		
	E.207171/1	Member, side, port	1	L.72		
	E.207172/1	Member, side, starboard	1	L.72		
	E.207171/2	Member, bottom, port	1	L.72		
	E.207172/2	Member, bottom, starboard	1	L.72		
	E.207171/3	Stiffener, port	1	L.72		
	E.207172/3	Stiffener, starboard	1	L.72		
	E.207171/5	Stiffener, port (Make from Std. 1591/A/18)	1	-		
	E.207172/5	Stiffener, starboard (Make from Std. 1591/1/18)	1	-		

FUSELAGE—FRONT PORTION

Ref No.	Part No.	Description					No. Off	Material Specification	M.R. Class of Score	Plate No.
		1	2	3	4	5				
	B.240374					Frame 8, port (E.207144 Modified) (Mod. 979) ...	1	—		
	E.207144					Frame 8, port (Pre Mod. 979) ...	1	—		
	B.235659					Frame 8, starboard (Mod. 745) ...	1	—		
	B.207146					Angle, front, port ...	1	L.72		
	B.207147					Angle, front, starboard ...	1	L.72		
	B.207148					Angle, rear, port ...	1	L.72		
	B.207149					Angle, rear, starboard ...	1	L.72		
	A.207464					Angle, inboard, rear, port ...	1	L.72		
	A.207465					Angle, inboard, rear, starboard ...	1	L.72		
	A.207564					Angle, outboard, rear, port ...	1	L.72		
	A.207565					Angle, outboard, rear, starboard ...	1	L.72		
	F.210101					Angle, front, port ...	1	L.72		
	F.210102					Angle, front, starboard ...	1	L.72		
	F.208592					Angle, port ...	1	L.72		
	F.208593					Angle, starboard ...	1	L.72		
	F.208594					Angle, port ...	1	L.72		
	F.208595					Angle, starboard ...	1	L.72		
	F.210619					Angle, bottom, starboard... ...	1	L.72		
	F.210620					Angle, bottom, port ...	1	L.72		
	A.231742					Angle, front, starboard (Mod. 745) ...	1	L.65		
	A.231744					Angle, rear, starboard (Mod. 745) ...	1	L.65		
	A.231761					Angle, front, starboard (Mod. 745) ...	1	L.65		
	A.231763					Angle, rear, starboard (Mod. 745) ...	1	L.65		
	A.164928					Block, axle ...	2	Stampings		
	A.209197					Block, sealing ...	1	LFS.21		
	A.209198					Block, sealing ...	1	LFS.21		
	F.209199					Block, sealing ...	2	LFS.21		
	Std.1553/G/235					Bolt ...	8	S.99.B		
	B.207912					Bracket, reinforcing, front, port ...	1	S.3		
	B.230585					Bracket, reinforcing, front, starboard (Mod. 745) ...	1	S.3		
	B.207914					Bracket, reinforcing, rear, port ...	1	S.3		
	B.230587					Bracket, reinforcing, rear, starboard (Mod. 745) ...	1	S.3		
	A.207155					Channel, port ...	1	L.72		
	A.207156					Channel, starboard ...	1	L.72		
	A.176767					Channel ...	2	DTD.610		
	F.176766					Channel ...	2	DTD.610		
	B.176768					Channel ...	2	DTD.166		
	C.207160					Channel ...	2	L.72		
	B.207161					Channel, port ...	1	L.72		
	B.211795					Channel, starboard ...	1	L.72		
	A.207916					Channel ...	2	L.72		
	A.220421					Channel, port ...	1	L.72		
	A.220422					Channel, starboard ...	1	L.72		
	E.207144/1					Diaphragm, lower, front, port ...	1	L.72		
	E.207144/2					Diaphragm, lower, rear, port ...	1	L.72		
	E.207144/3					Diaphragm, upper, front, port ...	1	L.72		
	E.207144/4					Diaphragm, upper, rear, port ...	1	L.72		
	E.207145/1					Diaphragm, lower, front, starboard ...	1	L.72		
	E.207145/2					Diaphragm, lower, rear, starboard ...	1	L.72		
	E.207145/3					Diaphragm, upper, front, starboard ...	1	L.72		
	E.207145/4					Diaphragm, upper, rear, starboard ...	1	L.72		
	E.207144/5					Landing, top, port ...	1	L.72		
	E.207144/6					Landing, bottom, port ...	1	L.72		
	E.207145/5					Landing, top, starboard ...	1	L.72		
	E.207145/6					Landing, bottom starboard ...	1	L.72		
	A.213943					Packing, front, port ...	1	L.72		
	A.213944					Packing, front, starboard ...	1	L.72		

FUSELAGE—FRONT PORTION

Ref. No.	Part No.	Description					No. Off	Material Specification	M.R. Class of Store	Plate No.
		1	2	3	4	5				
	E.218955/8						1	—		
	A.218843						1	L.72		
	A.208272						1	L.72		
	A.218844						1	L.72		
	A.208274						1	L.72		
	F.218841						1	L.72		
	F.208101						1	L.72		
	F.208117						1	L.72		
	F.208279						1	L.72		
	F.208280						1	L.72		
	F.208281						1	L.72		
	F.208282						1	L.72		
	A.211726						1	L.72		
	A.214877						1	LFS.21		
	A.214878						1	LFS.21		
	A.211868						1	L.72		
	A.211869						1	L.72		
	F.213275						1	L.72		
	E.218954/3						1	—		
	E.218954/4						1	—		
	E.218954/5						1	—		
	E.218954/6						1	L.72		
	E.218955/3						1	—		
	E.218955/4						1	—		
	E.218955/5						1	—		
	E.218955/6						1	L.72		
	A.208269						2	L.72		
	A.208270						2	L.72		
	A.218840						1	L.72		
	F.208277						1	L.72		
	A.208278						2	L.72		
	F.209811						1	L.72		
	F.209812						1	L.72		
8486	F.216030						1	—	C	
	E.218954/1						1	L.72		
	E.218954/2						1	L.72		
	E.218955/1						1	L.72		
	E.218955/2						1	L.72		
	C.208445						—	—		
	B.208300						1	Stamping		JC.5
	B.207974						1	Stamping		JC.5
	B.208031						1	Stamping		JC.5
	F.208036						1	S.95.B		
	F.209079						1	L.72		JC.5
	A.230672						1	L.72		
	A.230673						1	L.72		
	F.211645						21	L.72		
	F.211646						2	L.72		
	F.213499						2	L.72		
	F.213705						2	L.72		

FUSELAGE—FRONT PORTION

Ref. No.	Part No.	Description					No. Off	Material Specification	M.R. Class of Store	Plate No.
		1	2	3	4	5				
	B.208265						1	L.72		
	B.218846						1	L.72		
	B.218845						1	L.72		
	B.208268						1	L.72		
—	Std.1509/2/142						1	L.62	—	
—	Std.1509/2/122						2	L.62	—	
—	Std.1509/2/132						3	L.62	—	
—	Std.1509/23/216						1	L.62	—	
	E.219109						1	—		
	E.219110						1	—		
	F.214160						1	—		
	A.207518						1	LFS.21		
	A.207519						1	LFS.21		
	E.219109/1						1	—		
	E.219109/6						1	—		
	E.219110/1						1	—		
	E.219110/6						1	—		
	E.219109/2						1	L.72		
	E.219109/3						1	L.72		
	E.219109/4						1	L.72		
	E.219109/5						1	L.72		
	E.219110/2						1	L.72		
	E.219110/3						1	L.72		
	E.219110/4						1	L.72		
	E.219110/5						1	L.72		
10423	Std.1341/18						1	—	C	
—	Std.1509/23/158						10	L.62		
4613	Std.1335/C18						1	L.34	C.	
	Std.1547/29/12						8	DTD.610		
	D.211978						1	—		
	D.211979						1	—		
	B.214132						1	L.72		
	B.214133						1	L.72		
	D.211978/1						1	—		
	D.211979/1						1	—		
	F.212120						2	S.1		
	A.215668						1	L.65.C		
	A.215669						1	L.65.C		
	E.219111						1	—		
	E.219111/9						1	—		
	E.219111/12						4	L.72		JC.3
	E.219111/13						1	—		
	E.219111/14						1	—		
	A.211512						1	L.72		
	A.221139						1	L.72		
	F.214130						1	L.72		
10747	F.212665						1	—	C	
	E.219111/4						1	L.72		

Hunter T. Mk. 7
 Issued with A/L No. 10

FUSELAGE—FRONT PORTION

Ref. No.	Part No.	Description					No. Off	Material Specification	M.R. Class of Store	Plate No.
		1	2	3	4	5				
	C.213767	CONNECTIONS, BULKHEAD, ASSEMBLY					—	—		
3771	Std.1231/6	Lug, locking					3	S.3	MR/C	4
	E.219111/1	Diaphragm					1	L.72		
8432	Chekaleke No. 6	Plug					6	—	C.	
	A.211221	Stiffener					1	L.72		
	A.211222	Stiffener					1	L.72		
	E.219112	Frame 14, side portion, starboard, group ...					1	—		
	E.219111/12	Angle					4	L.72		
	E.219111/14	Angle (Make from Std.550/J/20)					1	—		
	E.219112/6	Angle (Make from Std.550/H/18)					1	—		
	E.219112/8	Angle (Make from Std.550/M/18)					1	—		
	A.211513	Angle					1	L.72		
	F.214131	Angle					1	—		
	E.219112/2	Butt, strap					1	L.72		
	E.219112/1	Diaphragm					1	L.72		
8432	Chekaleke No. 6	Plug					6	—	C.	
	A.211221	Stiffener					1	—		
	A.211222	Stiffener					1	—		
	D.240312/2	Frame 15, side portion, port, group (Mod. 979)					1	—		
	E.218995	Frame 15, side portion, port, group (Pre Mod. 979)					1	—		
	E.218995/6	Angle, port (Make from Std.550/G/18) ...					1	—		
	B.214741	Angle, support					1	—		
	F.211569	Bracket, support					1	S.3		
	A.208626	Channel, reinforcing, at bottom of frame ...					1	L.72		
	E.218995/1	Diaphragm					1	L.72		
	E.218996	Frame 15, side portion, starboard, group ...					1	—		
	E.218996/6	Angle, starboard (Make from Std.550/G/18) ...					1	—		
	B.214742	Angle, support					1	—		
	F.211569	Bracket, support					1	S.3		
	A.208627	Channel, reinforcing, at bottom of frame ...					1	L.72		
	E.218996/1	Diaphragm					1	L.72		
	C.221233	Platform, mounting, for standby accumulator, group					1	—		
	F.216526	Hook					2	DTD.171		
	F.216196	Socket					2	DTD.171		
	D.207236	Frame 16, lower portion, port					1	—		
	D.207237	Frame 16, lower portion, starboard					1	L.72		
	A.212697	Angle, support, port					1	—		
	F.214144	Angle					1	—		
	D.207236/1	Diaphragm, lower portion, port					1	L.72		
	D.207088	Frame 17A, port, group					1	—		
	D.207089	Frame 17A, starboard, group					1	—		
	A.213625	Bracket, mounting					1	L.72		
	D.207088/1	Frame, lower portion, port					1	L.72		
	D.207089/1	Frame, lower portion, starboard					1	L.72		
	D.207783	Frame 17B, group					1	—		
	D.207783/2	Diaphragm, starboard					1	L.72		
	D.207783/3	Diaphragm, port					1	L.72		
	D.207783/4	Stiffener, starboard (Make from Std.919/Z/16)					1	—		
	D.207783/5	Stiffener, port (Make from Std.919/Z/16) ...					1	—		
	D.207471	Frame 18A, port					1	—		
	D.207472	Frame 18A, starboard					1	—		

FUSELAGE—FRONT PORTION

Ref. No.	Part No.	Description	No. Off					Material Specification	M.R. Class of Store	Plate No.
			1	2	3	4	5			
	C.217789-90	GUARDS, CABLE, FRAME 14 TO 15, ASSEMBLY								
	C.217791	Guard, cable, port, group					1	—		
	A.223797	Socket, retention, for ammunition box hoisting cable					1	—		
	C.217792	Guard, cable, starboard					1	—		
	A.213498	Guard, for cables, port					1	S.3 & T.26		
	C.234303	Housing, starboard, assembly (Mod. 745) ...					—	—		
	A.234450	Angle, sealing					2	S.510		
	A.234451	Angle, sealing					2	S.510		
	F.232309	Bolt, special					6	S.80B		
	A.232318	Housing					2	S.62B		
	F.232310	Nut, special					8	S.510		
8456	F.219942	Washer, special					6	S.84	C.	
	C.207752	Landing, between frames 6 to 9, port ...					1	L.72		
	C.207753	Landing, between frames 6 to 9, starboard ...					1	L.72		
	G.214586	LONGERON, TOP, PORT, ASSEMBLY ...					—	—		
	G.214587	LONGERON, TOP, STARBOARD, ASSEMBLY					—	—		
	F.211350	Bracket, between frames 17A and 17B ...					1	L.72		
	B.212310	BRACKET, FOR SWIVEL MOUNTING BLOCK, ASSEMBLY					—	—		
	A.212035	Bracket					1	L.72		
	A.212036	Bracket					1	L.72		
	A.211005	Channel, attachment, for hood lock fitting, port					2	—		
	A.211006	Channel, attachment, for hood lock fitting, starboard					2	—		
	A.214679	Fitting, forward attachment of hood locks, port					1	—		
	A.214681	Fitting, rear attachment of hood locks, port					1	—		
	A.214680	Fitting, forward attachment of hood locks, starboard					1	—		
	A.214682	Fitting, rear attachment of hood locks, starboard					1	—		
	F.231432	Plate, nut forward, port (Mod. 778) ...					1	—		
	F.231433	Plate, nut forward, starboard (Mod. 778) ...					1	—		
8431	Chekaleke No. 5	Plug					45	—	C.	
9145	Chekaleke No. 11	Plug					2	—	C.	
	G.207645	LONGERON, BOTTOM, FRAMES 8 TO 19, PORT, ASSEMBLY					—	—		
	G.207646	LONGERON, BOTTOM, FRAMES 8 TO 19, STARBOARD, ASSEMBLY					—	—		
	F.178540	Angle, port and starboard					2	DTD.610		
	F.208603	Angle, port					1	DTD.364		
	F.208604	Angle, starboard					1	DTD.364		
	F.208605	Angle, port and starboard					2	L.72		
	F.208606	Angle, port					1	DTD.364		
	F.208607	Angle, starboard					1	DTD.364		
	F.208610	Angle, port and starboard					2	L.72		
	F.208613	Angle, port and starboard					2	L.72		
	F.209185	Angle, port					1	L.72		
	F.209186	Angle, starboard					1	L.72		
	F.209187	Angle, port					1	DTD.364		
	F.209188	Angle, starboard					1	DTD.364		
	F.208618	Angle, port					1	L.72		
	F.208619	Angle, starboard					1	L.72		
	F.208620	Angle, port					1	L.72		

FUSELAGE—FRONT PORTION

Ref. No.	Part No.	Description					No. Off	Material Specification	M.R. Class of Store	Plate No.
		1	2	3	4	5				
	F.234834					Angle, rubbing, starboard only (Mod. 758) ...	1	—		
	F.208621					Angle, starboard	1	L.72		
	F.208985					Angle, port and starboard	2	L.72		
	F.209044					Angle, port and starboard	2	L.72		
	F.208596					Block, distance	6	L.65.C		
647	Std.325/90/N					Bolt, special	4	S.2	C.	4
	Std.1553/E/160					Bolt	8	S.99.B		
	Std.1553/E/165					Bolt	1	S.99.B		
	Std.1553/E/175					Bolt	2	S.99.B		5
	Std.1553/E/190					Bolt	2	S.99.B		
	F.234833					Bolt, special, starboard only (Mod. 758) ...	1	—		
	D.207653					Boom, port	1	DTD.364		
	D.207654					Boom, starboard	1	DTD.364		
3185	F.178013					Bracket, hinge	4	S.95.B	MR/C	JC.3
3186	F.178014					Bracket, hinge	4	S.95.B	MR/C	JC.3
	A.209212					Bracket, forward, port	1	L.72		
	A.209213					Bracket, forward, starboard	1	L.72		
	A.209214					Bracket, aft, port	1	L.72		
	A.209215					Bracket, aft, starboard	1	L.72		
	A.209238					Bracket, forward, port	1	S.3		
	A.209239					Bracket, forward, starboard	1	S.3		
	A.209240					Bracket, aft, port	1	S.3		
	A.209241					Bracket, aft, starboard	1	S.3		
	B.217787					Bracket, sealing, port	1	S.3		JC.4
	B.217788					Bracket, sealing, starboard	1	S.3		JC.4
	F.208597					Channel, port and starboard	2	L.55.C		
	F.208598					Channel, port and starboard	2	L.55.C		
	F.208608					Channel, port and starboard	2	L.72		
	F.208609					Channel, port and starboard	2	L.72		
	A.207657					Fitting, port and starboard	2	S.98.B		
	B.211018					Landing, for wireless bay floor, port ...	1	L.72		
	C.207655					Longeron, forward portion, port	1	L.72		
	C.207656					Longeron, forward portion, starboard ...	1	L.72		
	A.211339					Packing, port	1	L.72		
	F.178015					Packing, port and starboard	2	DTD.610		
	F.208986					Packing, port and starboard	2	L.72		
	E.207649					Plate, top, port	1	L.72		
	E.207650					Plate, top, starboard	1	L.72		
	E.207651					Plate, bottom, port	1	L.72		
	E.207652					Plate, bottom, starboard	1	L.72		
	A.214767					Plate, reinforcing, top	2	L.72		
	A.214768					Plate, reinforcing, bottom	2	L.72		
—	Std.1509/24/036					Tube, distance, $\frac{3}{8}$ " o/d \times 17 s.w.g. \times .36" long (Make from 30B/1790)	8	L.62	—	4
3790	Std.1509/24/050					Tube, distance, $\frac{3}{8}$ " o/d \times 17 s.w.g. \times .5" long (Make from 30B/1790)	6	L.62	MR/C	4
—	Std.1509/24/098					Tube, distance, $\frac{3}{8}$ " o/d \times 17 s.w.g. \times .98" long (Make from 30B/1790)	4	L.62	—	4
	E.207075					MEMBER, KEEL ASSEMBLY, PORT	—	—		
	E.207076					MEMBER, KEEL ASSEMBLY, STARBOARD	—	—		
	A.207081					Angle, port	1	L.72		JC.6
	A.207082					Angle, starboard	1	L.72		JC.6
	F.207135					Bearing, starboard	1	S.95.B		JC.6
	A.207079					Block, axle support, port	1	DTD.166		
	A.207080					Block, axle support, starboard	1	DTD.166		

FUSELAGE—FRONT PORTION

Ref. No.	Part No.	Description					No. Off	Material Specification	M.R. Class of Score	Plate No.
		1	2	3	4	5				
6965	F.177756						2	Stamping	MR/C	JC.6
	E.207075/3						1	—		JC.6
	E.207075/4						1	—		
	E.207075/5						1	—		
	E.207075/6						1	—		
	E.207076/3						1	—		JC.6
	E.207076/4						1	—		
	E.207076/5						1	—		
	E.207076/6						1	—		
	C.207938						1	DTD.166		
	C.207939						1	DTD.166		
	A.207095						1	L.72		
	A.207096						1	L.72		
	C.207077						1	DTD.166		JC.6
	C.207078						1	DTD.166		JC.6
652	F.177166						1	S.3	C.	JC.6
1924	F.177757						2	S.3	C.	JC.6
	A.214296						2	L.72		
	A.214297						2	L.72		
7640	F.175754						1	DTD.610	MR/C	JC.6
7641	F.175755						1	DTD.610	MR/C	JC.6
	E.175730/7						1	—		
	E.207075/7						1	—		
	E.207075/10						1	—		
	E.207076/7						1	—		
	E.207076/10						1	—		
	E.207075/1						1	L.72		
	E.207075/2						1	L.72		
	E.207076/1						1	L.72		
	E.207076/2						1	L.72		
	B.212327						—	—		
	A.211686						1	—		
	B.211666						1	—		
	A.223173						—	—		
	A.221733						1	L.72		
	F.213309						4	L.72		
	F.214609						—	—		
	F.213309						6	L.72		
	B.209635						—	—		
	C.209636						1	L.72		
8836	B.209312						1	L.72	MR/C	JC.1
	B.233113						—	—		
9856	B.232825						2	L.72	C.	JC.1
9857	A.232839						2	L.72	C.	
	C.219011						1	L.72		JC.1
8457	F.219972						18	—	C.	
8459	F.220632						2	—	C.	

FUSELAGE—FRONT PORTION

Ref. No.	Part No.	Description					No. Off	Material Specification	M.R. Class of Store	Plate No.
		1	2	3	4	5				
	G.219089-99	SKIN, COVERING, FRAMES 8 TO 18A, ASSEMBLY					-	-		
	A.224245	Extractor, air, between frames 15 and 16, on starboard skin for retention of Varley accumulators					1	-		
3193	A.178278	Landing, gun access door					2	DTD.610	MR/C	
	C.208944	Landing, for cover plate, frames 5 to 10, port					1	L.72		JC.1
	C.208945	Landing, for blast trough, frames 5 to 10, starboard					1	L.72		JC.5
9098	F.221504	Nut, for landing, starboard					10	-	C.	
	E.207647	Piece, capping, bottom longeron, aft, portion port					1	L.72		JC.3
	E.207648	Piece, capping, bottom longeron, aft portion, starboard					1	L.72		JC.3
	F.220561	Pipe, drain, for hood locks					4	-		JC.1
	F.187848	Pipe, drain, between frames 16 and 17A ...					1	-		
	B.211187	Plate, reinforcing, between frames 8 to 12, port					1	L.72		JC.3
	B.211188	Plate, reinforcing, between frames 9 to 12, starboard					1	L.72		JC.3
	G.219089	Skin, side, frames 6 to 9, port					1	L.72		JC.1
	G.219090	Skin, side, frames 6 to 9, starboard					1	L.72		JC.1
	G.219091	Skin, lower, side, frames 6 to 9, port					1	DTD.171		JC.1
	G.219092	Skin, lower, side, frames 6 to 9, starboard ...					1	DTD.171		JC.1
	G.219093	Skin, bottom, frames 6 to 9, port					1	DTD.171		JC.1
	G.219094	Skin, bottom, frames 6 to 9, starboard					1	DTD.171		JC.1
	G.219095/1	Skin, side, frames 9 to 18A, port					1	L.72		JC.1
	G.219096/1	Skin, side, frames 9 to 18A, starboard					1	L.72		JC.1
	G.219097	Skin, side, frames 9 to 12, port					1	L.72		JC.1
	G.219098	Skin, side, frames 9 to 12, starboard					1	L.72		JC.1
	G.219099	Skin, bottom, frames 9 to 12					1	L.72		JC.1
	F.211363	Strap, butt, frames 11 to 12					2	L.72		
	A.214769	Strap, butt, frames 6 to 9, port					1	L.72		JC.3
	A.214770	Strap, butt, frames 6 to 9, starboard					1	L.72		JC.3
	B.208505	Strap, butt, frames 14 to 18A, port					1	L.72		
	B.208506	Strap, butt, frames 14 to 18A, starboard ...					1	L.72		
	A.211644	Strap, butt, starboard					1	L.72		
	A.210589	Stiffener, skin, frames 6 to 8, lower, port ...					1	-		JC.3
	A.210590	Stiffener, skin, frames 6 to 8, lower, starboard					1	-		JC.3
	B.224959	STRUCTURE, COCKPIT SHELF, PORT, ASSEMBLY					-	-		
	B.224686	Bracket, mounting					1	L.72		JC.3
	A.212230	Bracket, mounting, for undercarriage emergency valve					1	L.72		JC.3
	F.212972	Bracket, pulley					1	L.72		JC.3
	B.212726	Bracket, support, port					1	-		
	C.222216	SHELF, FIXED PORTION, FORWARD, ASSEMBLY					-	-		
	B.222214	Bracket, mounting, for triple pressure gauge					1	L.72		JC.3
	C.212960	STRUCTURE, COCKPIT, SHELF, STARBOARD, ASSEMBLY					-	-		
	B.212956	Beam, mounting, for anti-G valve					1	-		

RESTRICTED

Hunter T. Mk. 7
Issued with A/L No. 6

FUSELAGE—FRONT PORTION

Ref. No.	Part No.	Description	No. Off	Material Specification	M.R. Class of Store	Plate No.
1178	F.212957	Bracket, mounting, anti-"G" valve	1	L.72		
—	Std.1606/44/B12	Screw, roundhead, 4 B.A.	4	Brass	C.	5
—	Std.1509/12/184	Tube, distance, $\frac{3}{16}$ " o/d \times 22 s.w.g. \times 1.85" long (Make from 30B/1775)	2	L.62	—	
	D.212474	WALL, STARBOARD, ASSEMBLY (Mod. 736)	—	—		
	F.229499	Attachment, stud for GGS recorder stowage				
29G/2180	Carr Fastener 882	Stud	1	—	C.	
	C.230525	MAP CASE AND GGS RECORDER STOWAGE, ASSEMBLY	1	—		
	B.229448	Case, map and GGS recorder stowage	1	L.72		
29G/2098	Carr Fastener N.608	Socket, "Lift the dot"	1	—	C.	
29G/2096	Carr Fastener 708A	Washer, "Lift the dot"	1	—	C.	
	Std.1547/20/8	Washer	1	DTD.610		
	D.219022	STRUCTURE, FRAMES 10 TO 14, PORT, ASSEMBLY	—	—		
	F.219005	Angle, attachment, inboard	1	L.72		
	F.219006	Angle, attachment, outboard	1	L.72		
	D.218965	BOX, SEALING, PORT, ASSEMBLY ...	—	—		
	D.208337/8	Angle	1	—		
	D.208337/9	Angle	1	—		
	D.218965/3	Angle, inboard, inner	1	L.72		
	D.218965/4	Angle, inboard, outer	1	L.72		
	D.218965/5	Angle, outboard, inner	1	L.72		
	D.218965/6	Angle, outboard, outer	1	L.72		
	D.208338/9	Door	1	—		
	D.218965/1	Wall, inboard	1	L.72		
	D.218965/2	Wall, outboard	1	L.72		
	B.219140	Butt-strap, frame 12	1	L.72		
	B.219168	Butt-strap	1	L.72		
	B.219169	Butt-strap	1	L.72		
	C.219000/1	Landing	1	L.72		
	B.219154	Landing	1	L.72		
8837	D.218983	Panel, access, frames 12 to 14, group ...	1	—	MR/B	JC.1
	D.218983/1	Skin	1	L.72		
	B.222942	Roller, group	1	—		
	F.222952	Plate	2	L.72		
8755	F.213646	Roller	1	LFB.82 or LFB.89	C.	
5785	Std.915/C16	Washer	1	DTD.610	C.	4
	E.235657	STRUCTURE, FRAMES 10 TO 14, STARBOARD, ASSEMBLY (Mod. 745)	—	—		
	D.235662	ATTACHMENTS, FAIRING, ASSEMBLY (Mod. 745)	—	—		
	C.209842	Angle, inboard, forward fairing attachment	1	L.72		
	C.209844	Angle, outboard, forward fairing attachment	1	L.72		
	B.209761	Bracket, support	1	L.72		
	A.211242	Bracket, support	1	L.72		

RESTRICTED

FUSELAGE—FRONT PORTION

Ref. No.	Part No.	Description					No. Off	Material Specification	M.R. Class of Store	Plate No.	
		1	2	3	4	5					
	F.214354						1	L.72			
	F.214355						1	L.72			
	F.214356						1	L.72			
	F.209834						2	L.72			
	A.211515						1	S.3			
	F.210057						1	S.3			
	F.214351						1	L.72			
	F.214352						1	L.72			
	F.214353						1	L.72			
8838	A.209765						1	Stamping	MR/C	JC.5	
	F.209768						1	S.95.B			
8839	A.209767						1	—	MR/C	JC.5	
	F.209768						1	S.99.B			
8840	A.214348						2	—	MR/C	JC.5	
	F.209768						1	S.95.B			
	C.208351						1	L.72			
	A.211728						1	L.72			
	F.208334						1	L.72			
	F.208407						1	L.72			
	F.208648						1	L.72			
	F.208650						1	L.72			
	F.209074						1	L.72			
	F.209075						1	L.72			
	F.209076						1	L.72			
	F.211724						1	L.72			
	D.230570						—	—			
	BOX, SEALING, STARBOARD, ASSEMBLY										
	(Mod. 745)										
	D.230570/3						1	L.72			
	D.230570/4						1	L.72			
	D.230570/5						1	DTD.364			
	D.230569/8						1	L.72			
	D.230569/9						1	L.72			
	F.211805						1	L.72			
	D.230570/9						1	—			
	D.230570/7						1	L.72			
	D.230570/8						1	L.72			
	D.230569/10						1	L.72			
	D.230569/13						1	L.72			
	D.208338/1						1	L.72			
	D.208338/2						1	L.72			

RESTRICTED

Hunter T. Mk. 7
Issued with A/L No. 6

FUSELAGE—FRONT PORTION

Ref. No.	Part No.	Description					No. Off	Material Specification	M.R. Class of Store	Plate No.
		1	2	3	4	5				
	C.208667						1	—		
	C.208669						1	—		
	F.208384						1	L.72		
	B.208229						1	L.59		
	C.208088						1	L.72		
	C.208349						1	L.72		
	B.208106						1	L.72		
	B.209072/1						1	—		
	B.209234						1	—		
	B.209291						1	—		
	A.209256						1	L.72		
	F.208036						1	—		JC.5
	F.208474						1	L.72		
	F.208475						1	L.72		
	B.208725						1	—		
	A.211730						1	L.72		
	A.214349						2	—		JC.5
	F.214350						2	—		JC.5
	B.208645						1	L.72		
	F.209080						1	—		JC.5
—	Std.1507/23/050						4	T.26		
4042	Std.1509/23/030						3	T.26	MR/C	
	C.209167						1	DTD.171		JC.5
	B.235658						1	DTD.171		JC.5
	C.230619						1	DTD.171		JC.5
8456	F.219942						22	S.84	C.	
	A.212866						—	—		
	A.212711						1	L.63		
—	Std.1509/3/064						2	L.62	—	
	C.224555						—	—		
	Std.1306/L/30						1	—	—	
9473	B.224243						1	—	C.	
	C.187563/1						2	—		

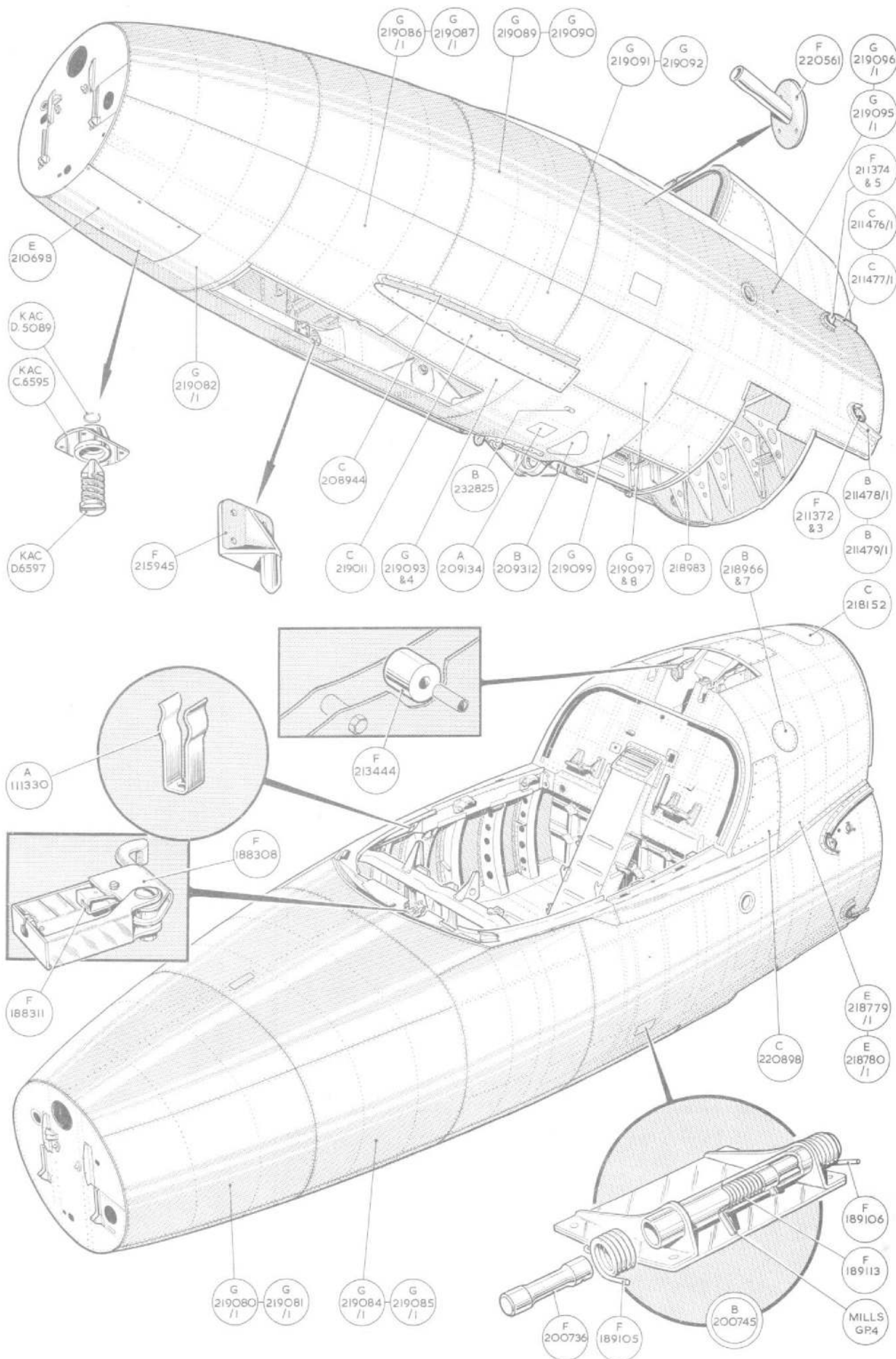
RESTRICTED

FUSELAGE—FRONT PORTION

Ref No.	Part No.	Description					No. Off	Material Specification	M.R. Class of Store	Plate No.
		1	2	3	4	5				
SUMMARY OF STOCK ITEMS										
28D/1010658	A25.1.B	Bolt,	4	B.A.
28D/1008149	A25.2.B	Bolt,	4	B.A.
28D/9436920	A25.1.C	Bolt,	2	B.A.
28D/9133011	A25.2.C	Bolt,	2	B.A.
28D/9133012	A25.3.C	Bolt,	2	B.A.
28D/1200119	A25.4.C	Bolt,	2	B.A.
28D/12533	A25.5.C	Bolt,	2	B.A.
28D/7002428	A25.6.C	Bolt,	2	B.A.
28D/1010030	A25.7.C	Bolt,	2	B.A.
28D/12515	A25.10.C	Bolt,	2	B.A.
28D/9435710	A25.11.C	Bolt,	2	B.A.
28D/9419397	A25.12.C	Bolt,	2	B.A.
28D/12537	A25.14.C	Bolt,	2	B.A.
28D/12540	A25.18.C	Bolt,	2	B.A.
28D/12630	A25.19.C	Bolt,	2	B.A.
28D/1011024	A25.21.C	Bolt,	2	B.A.
28D/12568	A25.22.C	Bolt,	2	B.A.
28D/1011025	A25.24.C	Bolt,	2	B.A.
28D/1011238	A25.3.E	Bolt,	1/4"	B.S.F.
28D/1011245	A25.10.E	Bolt,	1/4"	B.S.F.
28D/1011246	A25.11.E	Bolt,	1/4"	B.S.F.
28D/1011248	A25.16.E	Bolt,	1/4"	B.S.F.
28D/12548	A25.17.E	Bolt,	1/4"	B.S.F.
28D/1202771	A25.4.G	Bolt,	5/16"	B.S.F.
28D/15020	A30.15.E	Bolt,	1/4"	B.S.F.
28D/8300	AS.1242/1B	Bolt,	4	B.A.
28D/9131782	AS.1242/2B	Bolt,	4	B.A.
28D/1007975	AS.1242/1C	Bolt,	2	B.A.
28D/8307	AS.1242/2C	Bolt,	2	B.A.
28D/8308	AS.1242/3C	Bolt,	2	B.A.
28D/1013172	AS.1242/5C	Bolt,	2	B.A.
28D/8509	AS.1242/14C	Bolt,	2	B.A.
28D/11527	AS.1242/17C	Bolt,	2	B.A.
28D/8333	AS.1242/16E	Bolt,	1/4"	B.S.F.
28D/1013284	AS.1248/2C	Bolt,	2	B.A.
28D/9142406	AS.1248/3C	Bolt,	2	B.A.
28D/12266	AS.1248/13C	Bolt,	2	B.A.
28D/12136	AS.1248/18E	Bolt,	1/4"	B.S.F.
28D/9557	AS.1248/21E	Bolt,	1/4"	B.S.F.
28D/13786	AS.2920/1C	Bolt,	2	B.A.
28N/254	AGS.191/B	Burr
28E/15049	AS.5419/6	Clip
28M/9403519	A27.BP	Nut,	4	B.A.
28M/9419526	A27.CP	Nut,	2	B.A.
28M/1006473	A27.CT	Nut,	2	B.A.
28M/12928	A27.EP	Nut,	1/4"	B.S.F.
28M/12931	A27.ET	Nut,	1/4"	B.S.F.
28M/1006939	A27.GP	Nut,	5/16"	B.S.F.
28M/1007404	A27.JT	Nut,	3/8"	B.S.F.
28M/807	AGS.120/E	Nut
28M/7683	AGS.572/A	Nut
28M/10287	AGS.2001/B1	Nut,	4	B.A.
28M/10288	AGS.2001/C1	Nut,	2	B.A.
28M/10328	AGS.2002/C1	Nut,	2	B.A.
28M/10310	AGS.2002/C4	Nut,	2	B.A.

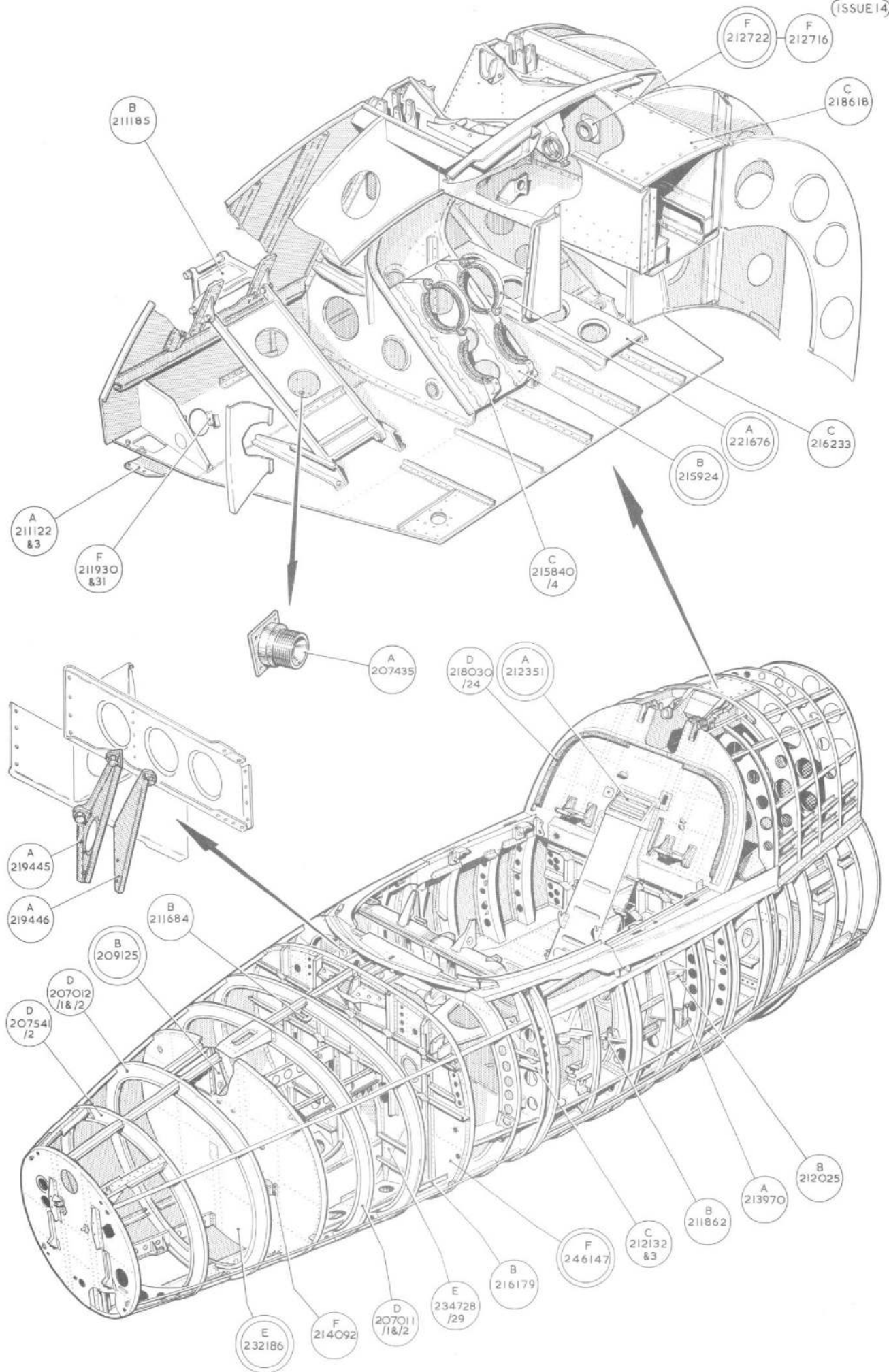
FUSELAGE—FRONT PORTION

Ref. No.	Part No.	Description					No. Off	Material Specification	M.R. Class of Store	Plate No.
		1	2	3	4	5				
SUMMARY OF STOCK ITEMS										
28M/12153	AGS.2007/B1	Nut, 4	B.A.
28M/11957	AGS.2007/C1	Nut, 2	B.A.
28M/10215	AGS.2008/B1	Nut, 4	B.A.
28M/9435607	AGS.2008/C1	Nut, 2	B.A.
28M/9999	AGS.2012/C11	Nut, 2	B.A.
28M/9144673	AGS.2019/C1	Nut, 2	B.A.
28M/13264	AGS.2021/C1	Nut, 2	B.A.
28M/13557	AGS.2023/B1	Nut, 4	B.A.
28M/13085	AGS.2023/C1	Nut, 2	B.A.
28M/14216	AGS.2023/E1	Nut, 1/2"	B.S.F.
28P/1024	SP.4Y.B22	Pin
28P/862	SP.4Y.D4	Pin
28P/1007740	SP.9.B4	Pin, split
28P/9143877	SP.9.C4	Pin, split
28D/15954	SP.9.G18	Pin, split
28P/13970	SP.9.K18	Pin, split
28P/16269	SP.113.C8 1/2	Pin
28P/16270	SP.113/E4 1/2	Pin
28R/13502	AS.111	Pulley
28R/13496	AS.1860	Pulley
28S/2642	AGS.253/19	Screw
28W/9419474	SP.15B	Washer, 4	B.A.
28W/9419402	SP.13.C	Washer, 2	B.A.
28W/9419475	SP.15.C	Washer, 2	B.A.
28W/9419405	SP.15.E	Washer, 1/2"	dia.
28W/9419404	SP.16.C	Washer, 2	B.A.
28W/9419487	SP.16.E	Washer, 1/2"	dia.
28W/9419488	SP.16.G	Washer, 5/16"	dia.
28W/9419489	SP.16.J	Washer, 3/8"	dia.
28N/256	SP.58.E	Washer
28F/12047	AGS.1186/A	Washer



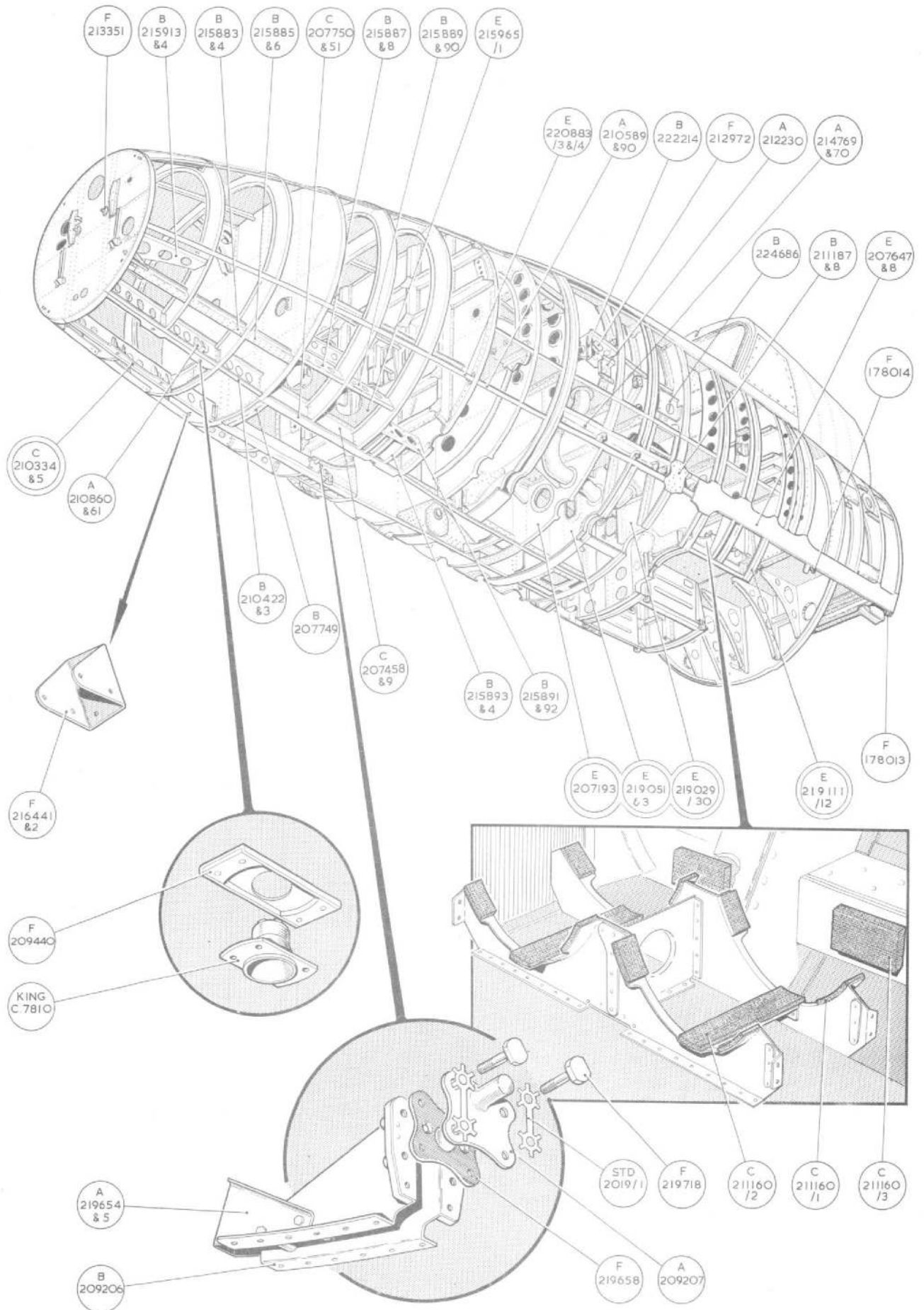
FRONT FUSELAGE





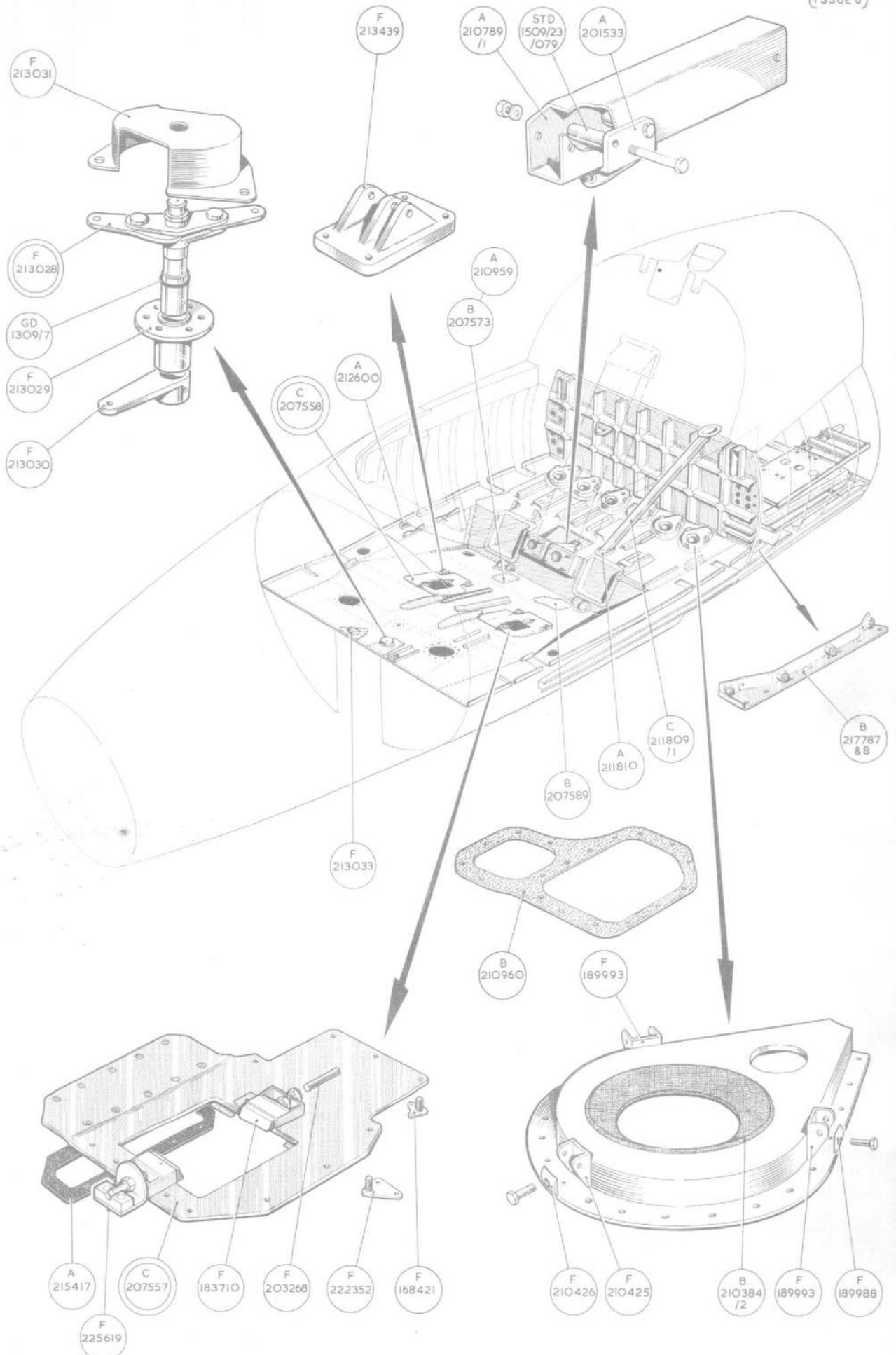
FRONT FUSELAGE



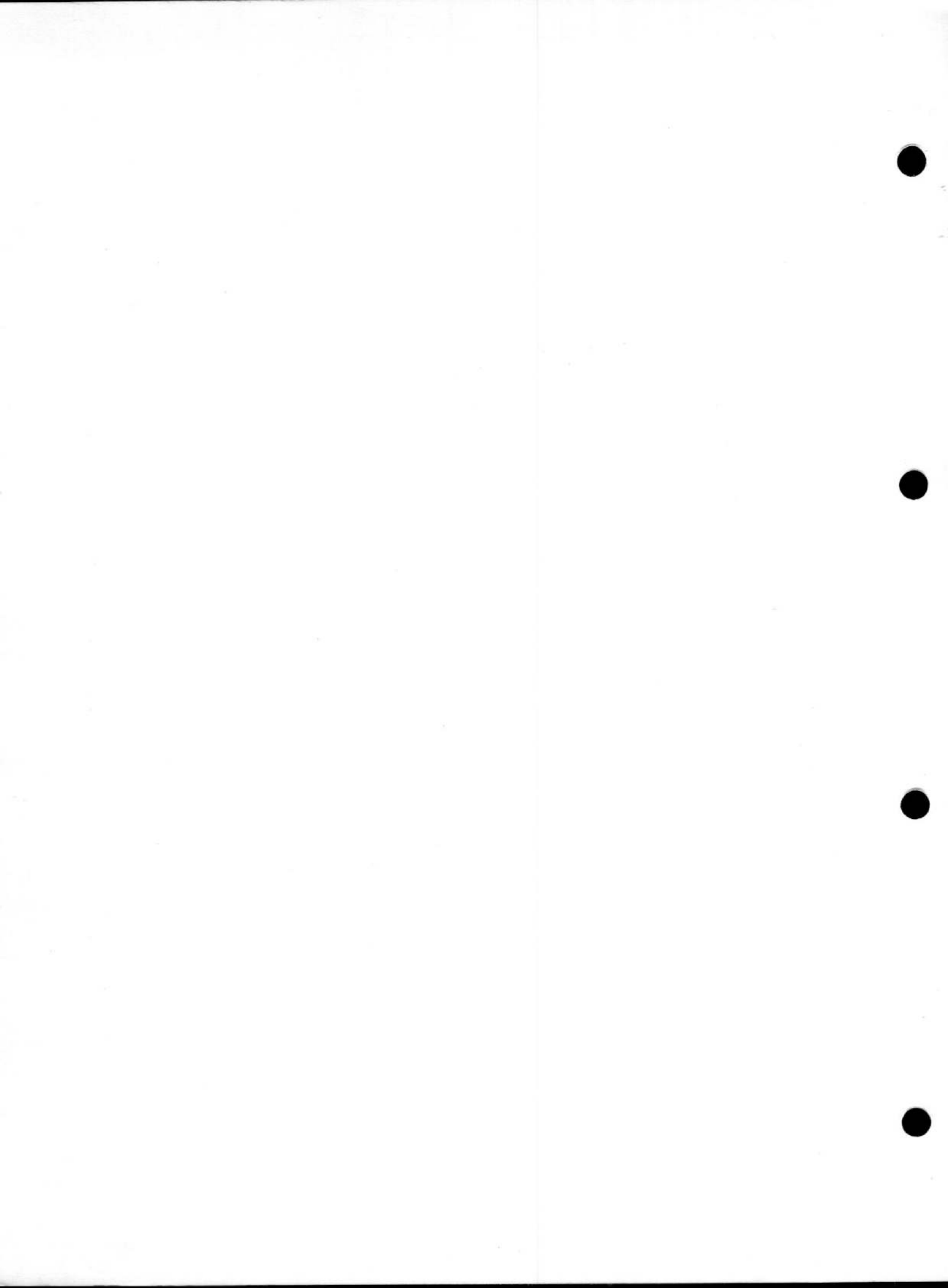


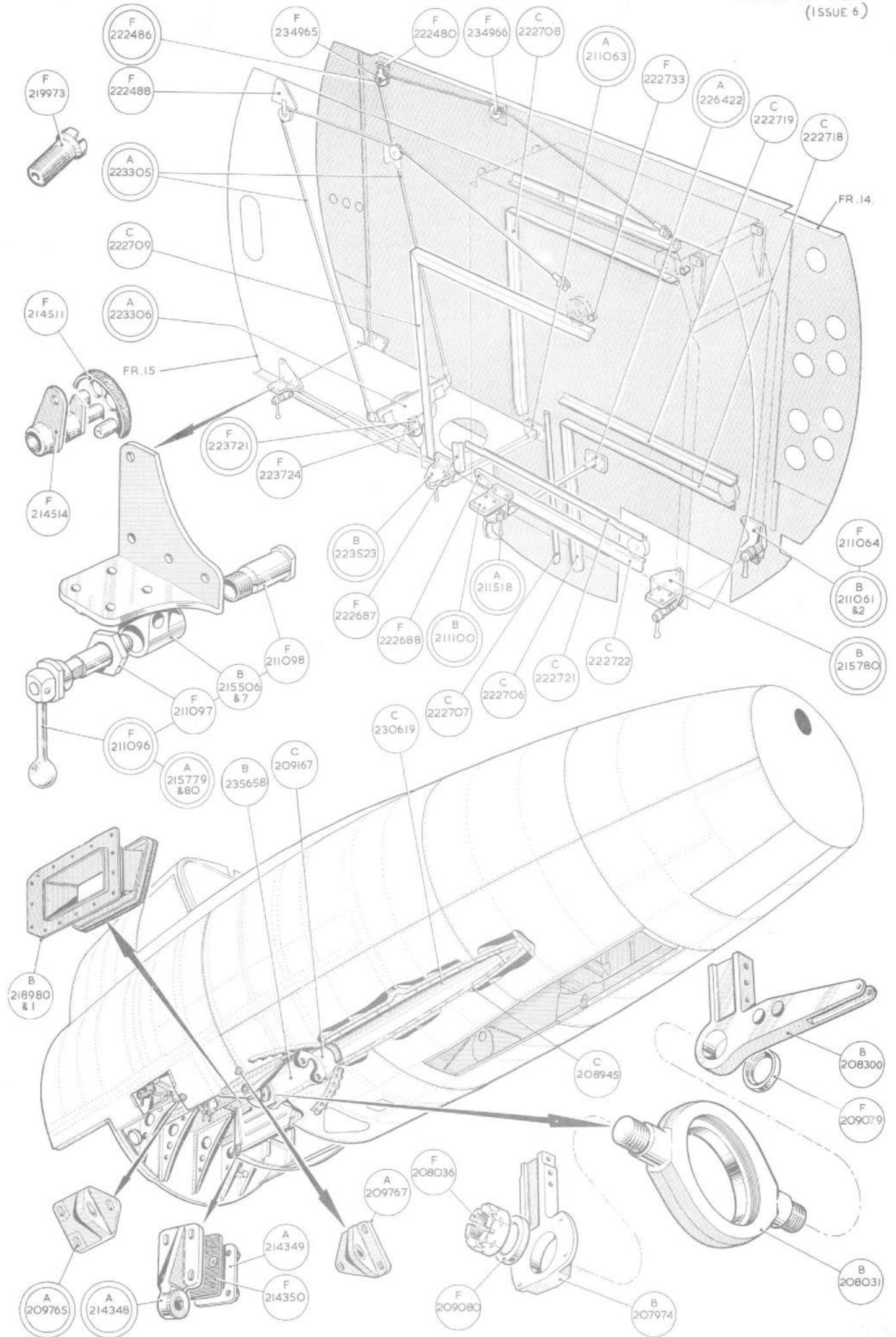
FRONT FUSELAGE





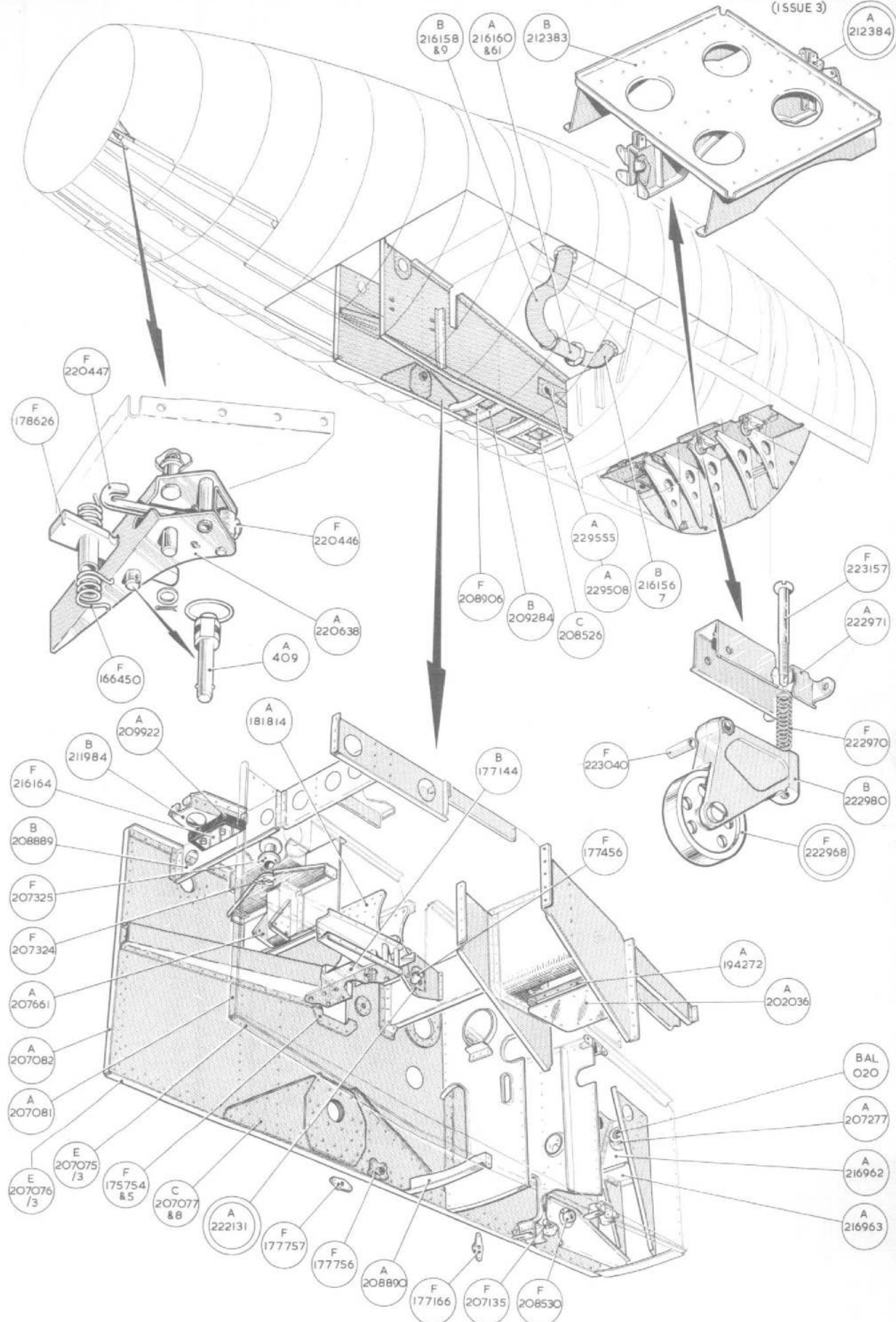
FRONT FUSELAGE



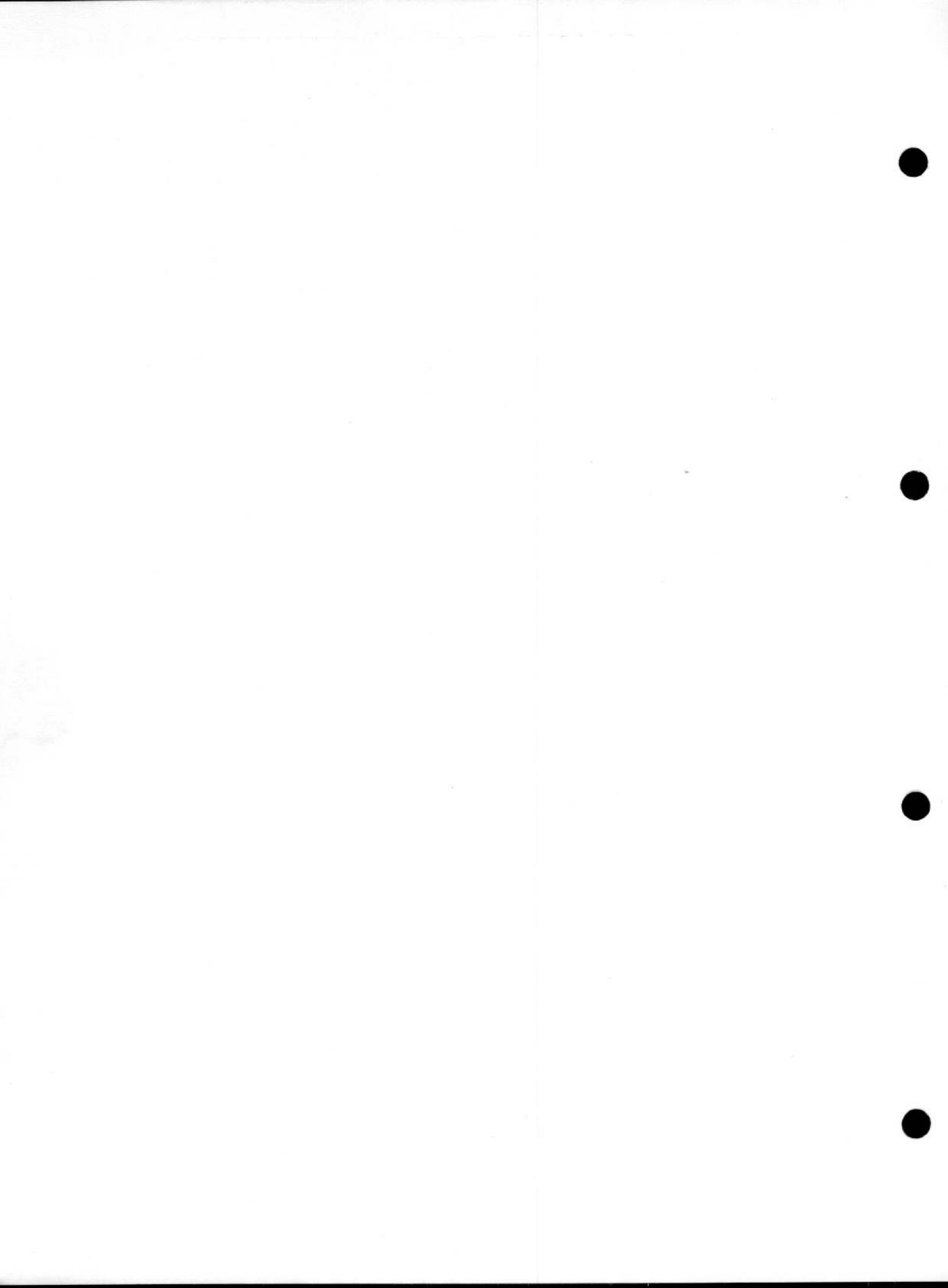


FRONT FUSELAGE





FRONT FUSELAGE



This file was downloaded
from the RTFM Library.

Link: www.scottbouch.com/rtfm

Please see site for usage terms,
and more aircraft documents.

