

FUSELAGE—REAR PORTION

Ref No.	Part No.	Description	1 2 3 4 5					No. Off	Material Specification	M.R. Class of Store	Place No.
			1	2	3	4	5				
10687	C.247664	<b>FUSELAGE, REAR, COMPLETE, GROUP</b> (Fully equipped and complete with airbrake and tail cone, less tail parachute (AS.970/76))						1	—	MR/A	JD.1
—	D.204125	<b>AIR BRAKE, ASSEMBLY</b> (See Page No. JD.15) ...						—	—	—	
—	D.221822	<b>ELECTRICAL INSTALLATION, ASSEMBLY</b> (See Section 'E')						—	—	—	
—	E.217437	<b>FLYING CONTROLS, ASSEMBLY</b> (See Section 'D')						—	—	—	
—	D.237211	<b>HYDRAULIC INSTALLATION, ASSEMBLY</b> (See Section 'N')						—	—	—	
—	C.247660	<b>TAIL CONE, ASSEMBLY</b> (See Page No. JD.19) ...						—	—	—	
	E.221799	<b>Fuselage, rear structure, group</b> ...						1	—		
	C.205594	<b>COVER PROTECTIVE, FOR HYDRAULIC COMPONENTS, BETWEEN FRAMES 49 AND 50, ASSEMBLY</b>						—	—		
	A.205598	<b>Angle</b> ...						1	L.72		
	F.205599	<b>Angle</b> ...						1	L.72		
	F.205600	<b>Angle</b> ...						1	L.72		
	A.205621	<b>Angle</b> ...						1	L.72		
	B.205597	<b>Diaphragm</b> ...						1	L.72		
8176	D.205595	<b>Member, side</b> ...						1	L.72	MR/C	
5702	C.205596	<b>Panel, access</b> ...						1	L.72	C.	JD.2
	C.202431	<b>DRAIN, AT ENGINE EXHAUST, ASSEMBLY</b>						—	—		
5820	B.202432	<b>Bracket, support</b> ...						1	DTD.610	C.	JD.4
5821	F.202433	<b>Clip</b> ...						1	S.84 or S.3	C.	JD.4
8524	F.216645	<b>Drain, extension</b> ...						1	—	C.	JD.4
1870	B.193008	<b>Funnel</b> ...						1	S.3 & T.26	C.	JD.4
1871	B.193009	<b>Guide</b> ...						1	S.3 & T.26	C.	JD.4
1872	F.193010	<b>Spring</b> ...						1	Spg. Stl.	C.	JD.4
2379	F.193011	<b>Washer, retaining</b> ...						1	DTD.610	MR/C	JD.4
	A.198547	<b>Duct, cable</b> ...						1	L.54		
	C.250697	<b>FAIRING, AIRBRAKE LEADING EDGE, ASSEMBLY</b> (Mod. 1025)						—	—		
10837	C250697/B	<b>Fairing, inner portion</b> ...						1	—	C.	JD.3
10836	C.250697/A	<b>Fairing, outer portion, port</b> ...						1	—	C.	JD.3
10838	C.250697/C	<b>Fairing, outer portion, starboard</b> ...						1	—	C.	JD.3
	D.223756	<b>Fin, dorsal, group</b> ...						1	—		
7666	A.185853	<b>Bracket, front, for charging valve</b> ...						1	DTD.610	MR/C	JD.5
7667	A.185854	<b>Bracket, rear, for charging valve</b> ...						1	DTD.610	MR/C	JD.5
711	B.186345	<b>Bracket, clamp, for hydraulic accumulator</b> ...						1	S.3 and Felt	C.	JD.4

FUSELAGE—REAR PORTION

Ref. No.	Part No.	Description					No. Off	Material Specification	M.R. Class of Store	Plate No.
		1	2	3	4	5				
7668	B.204655						1	—	MR/B	
713	F.173109						1	DTD.364	C	JD.3
	F.183604						1	DTD.610		
	F.209247						1	DTD.610		
	B.204690						1	L.72		
	A.204689						1	L.72		
	F.202691						2	L.72		
714	F.183607						1	Laminum	C.	JD.3
26FH/3474	Std.1547/20/12						4	DTD.610	MR/C	4
715	F.186346						1	S.3 and Felt	C.	JD.4
	F.186245						1	DTD.610		
4176	Std.840/38						1	DTD.610	C.	4
	A.207598						1	L.67		
	A.207599						1	L.67		
	C.211484						1	L.72		
	B.183728						1	DTD.610		
	B.211485						1	L.72		
	C.183729						1	DTD.610		
	C.211486						1	L.72		
10721	C.204653						1	L.72	C.	
	F.185858						1	DTD.610		
	B.225947						1	DTD.610		JD.2
2377	F.183736						2	DTD.610	MR/C	JD.2
	C.225946						1	DTD.610		JD.2
7669	B.202689						1	L.72	MR/C	
7670	C.210096						1	L.72	MR/C	
	C.215203						1	L.72		
4728	Std.1231/4						2	S.3	MR/C	4
	Std.1231/7B						2	S.3		
	F.189514						1	DTD.610		
	F.189515						1	DTD.610		
716	B.183735						1	DTD.610	C.	JD.1
717	F.183737						2	DTD.610	C.	JD.1
718	C.188863						1	DTD.610	B.	JD.1
4888	Std.1509/1/012						5	T.4	MR/C	4
4555	Std.915/A22						5	DTD.610	C.	4
4602	A.200876						1	Perspex	C.	DJ.1
9345	B.215202						1	L.72	C.	
7859	A.202690						1	L.72	C.	JD.3
6666	B.210097						1	L.72	C.	JD.3
	B.188907						1	DTD.610		
	B.186243						1	DTD.610		
	C.183733						1	DTD.610		
7671	D.183727/1						1	DTD.610	MR/B	
	D.223756/2						1	DTD.610		



FUSELAGE-REAR PORTION

Ref. No.	Part No.	Description					No. Off	Material Specification	M.R. Class of Store	Plate No.
		1	2	3	4	5				
7678	A.181011						8	S.99.B	MR/C	
7679	A.181012						7	S.98.B	MR/C	
4728	Std.1231/4						15	S.3	MR/C	4
	D.201639/3						1	L.72		
719	F.175758						15	S.98.B	C.	JD.2
4156	F.200285						15	S.2 or S.3	C.	JD.2
7682	B.181007						1	DTD.610	MR/C	
7683	B.181008						1	DTD.610	MR/C	
7686	F.212771						2	L.72	MR/C	
721	F.181010						15	S.98.B	C.	JD.2
	D.177649						1	—		
							1	—		
2380	C.177113						1	DTD.364	MR/C	JD.4
2381	C.177114						1	DTD.364	MR/C	JD.4
2382	B.177115						2	DTD.364	MR/C	JD.4
7688	D.177575/10						1	DTD.610	MR/C	
7689	D.177575/11						1	DTD.610	MR/C	
7690	D.177575/12						1	DTD.610	MR/C	
7691	D.177575/13						1	DTD.610	MR/C	
7692	D.177575/14						1	DTD.610	MR/C	
6843	D.177575/15						1	DTD.610	MR/C	
10445	A.189243						1	—	MR/C	
10446	A.189244						1	—	MR/C	
	F.195956						1	DTD.610	MR/C	
4906	F.197241						1	DTD.610	MR/C	
2382	B.177579						1	DTD.610	MR/C	JD.4
2384	B.167060						1	Stamping	MR/C	JD.4
2385	B.167061						1	Stamping	MR/C	JD.4
7693	A.177577						2	DTD.610	MR/C	
7694	A.177578						2	DTD.610	MR/C	
7695	F.178104						4	DTD.610	MR/C	
4211	Std.1687/2						1	DTD.610	C.	5
—	Std.1507/24/092						4	T.26	—	
2386	D.177575/1						1	DTD.546	MR/C	JD.4
2387	D.177575/2						1	DTD.546	MR/C	
	D.177823						1	—		
	F.189386						1	DTD.610		
	F.189387						1	DTD.610		
2389	B.177788						1	DTD.364	MR/C	JD.4
2388	B.177789						1	DTD.364	MR/C	JD.4
4269	A.177812						1	DTD.364	MR/C	
2390	C.177119						1	Stamping	MR/C	JD.4
2391	A.177870						2	DTD.610	MR/C	JD.4
7696	A.177871						4	DTD.364	MR/C	
2392	A.187418						2	DTD.610	MR/C	JD.4
6661	F.190604						2	Laminated Alum.	C.	
	F.190145						2	DTD.564		
2393	D.177749/1						2	DTD.546	MR/C	
	D.177749/4						2	DTD.546		JD.4
	E.204943						—	—		
6940	A.188249						1	DTD.610	MR/C	
6941	A.188250						1	DTD.610	MR/C	
	A.190913						1	DTD.610		
	A.183191						1	DTD.610		
	F.177687						1	DTD.610		
	A.178068						1	DTD.610		
6942	F.175708						4	DTD.610	C.	

FUSELAGE—REAR PORTION

Ref. No.	Part No.	Description	No. Off	Material Specification	M.R. Class of Store	Plate No.
	D.187408-9	<b>MOUNTING, FOR JET PIPE, ASSEMBLY</b>	-	-		
7873	B.216692	Channel, mounting, port ... ..	1	DTD.166	C.	JD.4
7874	B.216693	Channel, mounting, starboard ... ..	1	DTD.166	C.	JD.4
722	F.187724	Nut, special ... ..	4	S.1	C.	JD.4
723	A.187721	Plate, serrated ... ..	2	S.95.B	C.	JD.4
724	B.187722	Slide, mounting ... ..	2	Stamping	C.	JD.4
726	F.187720	Shims, packing ... ..	QR	DTD.610	C.	JD.4
1606	F.190541	Stud ... ..	1	S.94.B	C.	JD.4
1607	F.190542	Stud ... ..	1	S.94.B	C.	JD.4
1608	C.190691	Rail, mounting ... ..	1	DTD.364	C.	JD.4
731	F.189443	Strap, aft, securing rail, at frame 55 ... ..	1	DTD.364	C.	JD.4
732	F.189442	Strap, forward, securing rail, at frame 55... ..	1	DTD.364	C.	JD.4
3813	Std.1547/22/10	Washer, profile ... ..	2	DTD.610	MR/C	4
2395	B.184011	Landing, aft, for detachable spine, port ... ..	1	DTD.610	MR/C	JD.1
2396	B.184012	Landing, aft, for detachable spine, starboard ... ..	1	DTD.610	MR/C	JD.1
2397	A.184009	Landing, forward, for detachable spine, port, group ... ..	1	-	MR/C	JD.1
28FP/341	Dzus. S5/325	Spring ... ..	1	-	C.	
751	Std.915/A20	Washer ... ..	1	DTD.610	C.	4
2398	A.184010	Landing, forward, for detachable spine, starboard, group ... ..	1	-	MR/C	JD.1
28FP/341	Dzus. S5/325	Spring ... ..	1	-	C.	
751	Std.915/A20	Washer ... ..	1	DTD.610	C.	4
	D.177846	<b>MOUNTING, FOR TAILPLANE ACTUATOR, ASSEMBLY</b>	-	-		
26AQ/1295	Std.1553/E/50	Bolt, securing pivot fitting ... ..	4	S.99.B	C.	
7858	A.211760	Fitting, pivot, for actuator ... ..	1	Stamping	C.	JD.5
	B.189683	Outlet, bearing cooling pipe, group ... ..	2	-		
738	F.190000	Pin, retaining ... ..	1	S.1	C.	JD.4
739	B.189938	Sleeve, outlet ... ..	1	S.3	C.	JD.4
740	A.174322	Spring ... ..	1	Steel	C.	JD.4
	F.189441	Packing, taper, at stringers D, F, H and M ... ..	8	DTD.610		
733	B.185073	Panel, access to jet-pipe coupling, fuel connections thermo-couples and igniter plug, group ... ..	4	DTD.610	C.	JD.1
28FP/85	Dzus F.5/40	Fastener ... ..	3	-	C.	
735	A.184848	Panel, access, to jet-pipe rear mounting ... ..	2	DTD.610	C.	JD.1
734	A.185188	Panel, access, for thermocouples, group ... ..	2	DTD.610	C.	JD.1
28FP/85	Dzus. F.5/40	Fastener ... ..	1	-	C.	
5825	A.205935	Panel, access, for thermocouples, group ... ..	2	L.72	C.	JD.3
28FP/85	Dzus. F.5/40	Fastener ... ..	1	-	C.	
	D.220464	<b>PARACHUTE, BRAKING, FIXED PARTS, ASSEMBLY</b>	-	-		
9906	F.230242	Bolt, for emergency release ... ..	1	Ht. St. St.	C.	
	F.237806	Bracket, mounting (Mod. 850) ... ..	1	L.72		
	C.220507	Diaphragm, forward, port ... ..	1	L.72		
	C.220508	Diaphragm, forward, starboard ... ..	1	L.72		
	C.220328	Diaphragm, rear, port ... ..	1	L.72		
	C.220329	Diaphragm, rear, starboard ... ..	1	L.72		
	D.220464/1	Fairing, port ... ..	1	L.72		
	D.220464/2	Fairing, starboard ... ..	1	L.72		
-	Std.1547/22/12	Washer, profile, at mounting bracket (Mod. 850) (Make from 30B/1724, 1/2" x 1/2")	1	L.72	-	

FUSELAGE-REAR PORTION

Ref. No.	Part No.	Description	1 2 3 4 5					No. Off	Material Specification	M.R. Class of Store	Plate No.
	D.219321	<b>MOUNTING, ATTACHMENT, FOR BRAKING PARACHUTE, ASSEMBLY</b>						-	-		
9788	F.230690	Block, cable guard ... ..					1	LFS.21	C.	JD.2	
	C.219182	Channel, port ... ..					1	L.72			
	C.219183	Channel, starboard ... ..					1	L.72			
10479	F.237669	Guide, bottom (Mod. 850) ... ..					1	S.96.B	C.	JD.2	
10478	F.237668	Guide, top (Mod. 850) ... ..					1	S.96.B	C.	JD.2	
	C.218352	Member, side, port ... ..					1	L.72			
	C.218353	Member, side, starboard ... ..					1	L.72			
	C.219179	Plate, mounting, top ... ..					1	-			
	C.219180	Plate, mounting, bottom ... ..					1	-			
	B.219962	Plate, reinforcing ... ..					1	M.S.P.			
10482	F.240868	Screw, grub (Mod. 850) ... ..					1	BS.94.B	C.	JD.2	
10480	F.237670	Shim, top (Mod. 850) ... ..					1	Laminated Alum.	C.	JD.2	
10481	F.237671	Shim, bottom (Mod. 850)... ..					1	Laminated Alum.	C.	JD.2	
9674	F.230236	Strip, bonding (Mod. 724) ... ..					1	Brass B.5265	C.	JD.2	
9326	A.220548	Panel, access, group ... ..					2	-	B.	JD.2	
28FP/861	Dzus. F.5.T.12	Fastener ... ..					1	-	C.		
28FP/612	Dzus. GH.5	Grommet ... ..					1	-	C.		
9364	Vickers A.5931	Release, E.M., No. 1, Mk. 1 (Modified to Vickers Drg. No. 92574/71) (Mod. 835)					1	-	A.	JD.2	
	B.188783	<b>PICKETING POINT, AT FRAME 52, ASSEMBLY</b>						-	-		
8603	A.188358	Bracket, port ... ..					1	DTD.610	C.		
8604	A.188359	Bracket, starboard ... ..					1	DTD.610	C.		
2399	A.180407	Socket, slinging, group ... ..					1	DTD.364	MR/C	JD.1	
737	F.159451	Plug ... ..					1	DTD.364	C.	JD.1	
-	Std.1509/2/152	Tube, distance, 1/4" o/d x 22 s.w.g. x 1-52" long (Make from 30B/555)					2	T.4	-		
-	Std. 1509/2/166	Tube, distance, 1/4" o/d x 22 s.w.g. x 1-66" long ... (Make from 30B/555)					2	T.4	-		
	Std.1547/28/16	Washer, packing ... ..					4	DTD.610			
	C.185991/2	Plate, doubling, bottom half, at frame 40B ... ..					1	DTD.610			
	B.204672	Plate, joint, top, frame 46 ... ..					1	L.72			
6844	F.182976	Plate, joint ... ..					12	DTD.610	MR/C		
	F.183192	Plate, joint, at frames 48, 49 and 54 ... ..					3	DTD.610			
	A.203882	Plate, joint, top, frame 50 ... ..					1	L.72			
7698	A.203883	Plate, joint, at stringer 'H' frame 50 ... ..					1	L.72	MR/C		
7699	F.203885	Plate, joint, at stringers 'K' and 'D,' for inner boom of frame 50					2	L.73	MR/C		
	A.183188	Plate, joint, top, frame 51 ... ..					1	DTD.210			
6127	A.183187	Plate, joint, at stringer 'H,' frame 51 ... ..					2	DTD.610	MR/C	-	
6846	F.190294	Plate, joint, at stringer 'H,' frame 54 ... ..					2	DTD.610	MR/C	-	
6112	F.189187	Plate, joint, for attachment of stringer 'M' to frame 55					2	-	MR/C	-	
6114	F.189335	Plate, nut, for attachment of stringer 'M' to frame 55					2	-	MR/C	-	
	C.188585	Platform, mounting, for selector valve, assembly ...					1	-			
2400	B.188584	Platform, mounting, group ... ..					1	-	MR/C	JD.2	
	B.188584/1	Platform ... ..					1	DTD.610			
1920	Std.1341/8	Stud, special ... ..					2	-	C.	4	
7700	Std.1341/14	Stud, special ... ..					1	-	MR/C		
	B.190993	<b>SKID, TAIL, ASSEMBLY</b>						-	-		
6116	B.190993/1	Plug, wood ... ..					2	Ash	C.	JD.3	
6088	B.207372	Skid, tail ... ..					1	L.53	C.	JD.1	
6198	C.211697	Spine, detachable, group (with trimming allowance)					1	-	B.	JD.1	
7701	C.211697/1	Skin ... ..					1	DTD.610	MR/B		
	B.183742	Stiffener, front, group ... ..					1	DTD.610			
28FP/341	Dzus. S.5.325	Spring ... ..					2	-	C.		

FUSELAGE-REAR PORTION

Ref. No.	Part No.	Description	No. Off	Material Specification	M.R. Class of Score	Plate No.
		<b>STRUCTURE BELOW TAIL PLANE, ASSEMBLY</b>	-	-		
	D.204652	Angle ... ..	3	DTD.610		
	A.85844	Angle, port ... ..	1	DTD.610	MR/C	
7702	F.186462	Angle, starboard ... ..	1	DTD.610	MR/C	JD.5
7703	F.186463	Bracket, bearing, port ... ..	1	L.72	MR/C	JD.5
7704	A.209654	Bracket, bearing, starboard ... ..	1	L.72	MR/C	JD.5
7705	A.209655	Bracket ... ..	1	DTD.610		
	A.186440	Bracket, forward, for elevator booster unit ... ..	1	Stamping	C.	JD.2
745	B.188224	Bracket, rear, for elevator booster unit ... ..	1	Stamping	C.	JD.3
744	B.188226	Bracket, mounting, for terminal block, No. 43 ... ..	1	DTD.610	MR/C	-
4727	A.198686	Cleat ... ..	1	DTD.610	MR/C	
7706	F.186244	Flap, selector valve operating, group (Mod. 895) ... ..	1	-	C.	
10538	F.245091	Spring ... ..	1	Spr. Stl. Wire	C.	
10539	F.236518	Former, at frame 53 ... ..	1	L.72		
	C.209708	Former, at frame 54 ... ..	1	DTD.610		
2414	C.188582	Landing, for access panel to selector valve and elevator power assisted control	1	DTD.610	MR/C	JD.2
	B.186518	Landing, for access panel to tail plane actuator, port	1	DTD.610	MR/C	JD.1
2413	B.189167	Landing, for access panel to tail plane actuator, starboard	1	DTD.610	MR/C	JD.3
2412	C.188288	Landing, for access panel to elevator booster unit attachments	2	DTD.610	MR/C	JD.3
2415	F.188747	Landing, for access panel to elevator spring feel linkage	1	L.72		
	F.214231	Packing, taper ... ..	1	DTD.610	MR/C	
7707	F.188555	Packing, at side of skin, forward of frame 55, port	1	DTD.610		
	D.186503/3	Packing, port and starboard ... ..	2	DTD.610		
	D.186503/4	Packing, at port side of skin, forward of frame 52, port	1	DTD.610		
	D.186503/5	Panel, access to selector valve and elevator power assisted control	1	DTD.610	C.	JD.1
748	B.186517	Panel, access, to elevator booster unit attachments	2	DTD.610	C.	JD.3
1580	F.188746	Panel, access to tail plane actuator, port ... ..	1	DTD.610	C.	JD.1
747	A.189166	Panel, access to tail plane actuator, starboard, group	1	-	C.	JD.3
5272	C.207286	Panel, lower ... ..	1	L.72	C.	JD.3
5273	C.207286/2	Panel, access to elevator spring feel linkage ... ..	1	DTD.610	C.	JD.1
717	F.183737	Plate, reinforcing ... ..	2	DTD.610		
	F.186388	Rib, below tail plane, between frames 52 and 55	1	DTD.610		
	B.186387	Rib, between frames 51 and 52 ... ..	1	L.72		
	B.202352	Rib, above tail-plane, between frames 51 and 52	1	L.72		
	B.204654	Saddle, for clipping of electrical cables ... ..	4	DTD.610	C.	5
4211	Std.1687/2	Shim, for elevator booster brackets ... ..	QR	Laminated Alum.	C.	JD.3
1581	F.189937	Skin port ... ..	1	DTD.610	B.	JD.1
1852	D.186503/1	Skin, starboard ... ..	1	DTD.610	B.	JD.3
1853	D.186503/2	Stiffener ... ..	1	DTD.610		
	A.189165	Strap, starboard ... ..	1	DTD.610		
	D.186503/6	Tube, distance, 1" o/d x 22 s.w.g. x .26" long ... ..	4	T.26	-	
	Std.1507/2/026	(Make from 30B/965)				
	Std.1507/24/016	Tube, distance, 3/4" o/d x 17 s.w.g. x .16" long ... ..	4	T.26	-	
		(Make from 30A/1469)				
3817	Std.1548/30/12	Washer, profile ... ..	4	DTD.610	MR/C	4
280	Std.1548/40/12	Washer, profile ... ..	4	DTD.610	C.	4
	Std.1549/36/12	Washer, profile ... ..	2	DTD.610		

FUSELAGE—REAR PORTION

Ref. No.	Part No.	Description					No. Off	Material Specification	M.R. Class of Store	Plate No.
		1	2	3	4	5				
	C.224023	<b>STRUCTURE, REAR, BELOW TAIL-PLANE, ASSEMBLY</b>					-	-		
	F.190522	Angle, piece	...	...	...	...	2	DTD.610		
	F.190523	Angle, piece	...	...	...	...	1	DTD.610		
	A.186446	Bracket, attachment	...	...	...	...	1	DTD.610		
2410	F.190513	Edge, trailing, aft portion	...	...	...	...	1	DTD.364	MR/C	JD.1
2409	F.192763	Edge, trailing, top portion	...	...	...	...	1	LFS.21	MR/C	JD.1
	B.211427	Former, aft	...	...	...	...	1	DTD.610		
	B.224021	Former, centre	...	...	...	...	1	DTD.610		
	B.190484	Former, forward	...	...	...	...	1	L.72		
2411	A.186407	Landing, for access panel to elevator operating arm connection	...	...	...	...	1	DTD.610	MR/C	JD.3
	C.211429	Landing, for access panel to flying tail linkage	...	...	...	...	1	L.72		JD.2
1712	F.186406	Panel, access to elevator operating arm connection	...	...	...	...	1	DTD.610	C.	JD.3
7932	B.211431	Panel, access to flying tail linkage, port	...	...	...	...	1	L.72	B	JD.1
	C.212321	Rib, tail, for attaching access and fairing panels	...	...	...	...	1	DTD.610		
	C.224022	Rib, tail, group	...	...	...	...	1	DTD.610		
	B.190521	Rib	...	...	...	...	1	DTD.610		
10000	C.224023/1	Skin, port	...	...	...	...	1	DTD.610	B.	JD.3
10001	C.224023/2	Skin, starboard	...	...	...	...	1	DTD.610	B.	JD.3
	B.212322	Stiffener, forward, port	...	...	...	...	1	L.72		
	B.212323	Stiffener, aft, port	...	...	...	...	1	L.72		
	B.212324	Stiffener, starboard	...	...	...	...	1	L.72		
	C.224023/3	Strap, butt, port	...	...	...	...	1	DTD.610		
	C.224023/4	Strap, butt, starboard	...	...	...	...	1	DTD.610		
5957	E.204792	Structure, bottom portion, group	...	...	...	...	1	-	MR/B	JD.5
7709	A.203857	Angle, on frame 48 and 49	...	...	...	...	2	L.72	MR/C	JD.5
7710	A.203886	Angle, on frame 50, port	...	...	...	...	1	DTD.364	MR/C	JD.5
7711	A.203887	Angle, on frame 50, starboard	...	...	...	...	1	DTD.364	MR/C	JD.5
7712	A.203894	Angle, on aft face of frames 47 and 50, port	...	...	...	...	2	L.40	MR/C	JD.5
7713	A.203895	Angle, on aft face of frames 47 and 50, starboard	...	...	...	...	2	L.40	MR/C	JD.5
7714	A.203896	Angle, on forward face of frames 47 and 50, port	...	...	...	...	2	DTD.364	MR/C	JD.5
7715	A.203897	Angle, on forward face of frames 57 and 50, starboard	...	...	...	...	2	DTD.364	MR/C	JD.5
7716	F.203912	Angle, on frame 47, port	...	...	...	...	1	DTD.364	MR/C	JD.5
7717	F.203913	Angle, on frame 47, starboard	...	...	...	...	1	DTD.364	MR/C	JD.5
7718	F.203914	Angle, on frames 47 and 48, port	...	...	...	...	2	L.72	MR/C	JD.5
7719	F.203915	Angle, on frames 47 and 48, starboard	...	...	...	...	2	L.72	MR/C	JD.5
7720	F.203916	Angle, on frames 47 and 48, port	...	...	...	...	2	L.72	MR/C	JD.5
7721	F.203917	Angle, on frames 47 and 48, starboard	...	...	...	...	2	L.72	MR/C	JD.5
5918	F.203982	Angle, attachment, for hinge fitting, at frame 46	...	...	...	...	2	L.72	MR/C	-
5919	F.203983	Angle, attachment, for hinge fitting, at frame 46	...	...	...	...	2	L.72	MR/C	-
7722	F.204089	Bracket, mounting, for hydraulic valves	...	...	...	...	2	DTD.610	MR/C	JD.5
5908	A.204212	Bracket, mounting, for micro-switch on frame 47	...	...	...	...	1	L.72	MR/C	JD.5
5925	A.204354	Bracket, mounting, for pressure switch	...	...	...	...	1	DTD.610	MR/C	JD.5
	A.216746	Cover, sealing (AS.760/88)	...	...	...	...	2	L.72		
7723	C.203969	Diaphragm, between frames 47 and 48, port	...	...	...	...	1	L.72	MR/C	JD.5
7724	C.203970	Diaphragm, between frames 47 and 48, starboard	...	...	...	...	1	L.72	MR/C	JD.5
7725	C.203971	Diaphragm, between frames 48 and 49, port	...	...	...	...	1	L.72	MR/C	JD.5
7726	C.203972	Diaphragm, between frames 48 and 49, starboard	...	...	...	...	1	L.72	MR/C	JD.5
7727	C.203973	Diaphragm, between frames 49 and 50, port	...	...	...	...	1	L.72	MR/C	JD.5
7728	C.203974	Diaphragm, between frames 49 and 50, starboard	...	...	...	...	1	L.72	MR/C	JD.5
8513	F.216608	Drain, extension, at frames 40B, 50, 52 and 55	...	...	...	...	8	L.65.C	C.	JD.1

FUSELAGE—REAR PORTION

Ref. No.	Part No.	Description					No. Off	Material Specification	M.R. Class of Store	Plate No.
		1	2	3	4	5				
8771	C.219512					<b>Fitting</b> , hinge, between frames 45 and 46, port ...	1	L.72 & DTD.166	MR/C	
8772	C.219513					<b>Fitting</b> , hinge, between frames 45 and 46, starboard	1	L.72 & DTD.166	MR/C	
5909	A.203906					<b>Fitting</b> , jack attachment, forward of frame 50 ...	2	Stamping	MR/C	JD.5
	D.201643					<b>Frame 41</b> , bottom portion ...	1	—		JD.5
7736	D.181021					<b>Frame 42</b> , bottom portion ...	1	—	MR/B	JD.5
7737	D.181024					<b>Frame 43</b> , bottom portion ...	1	—	MR/B	JD.5
7738	D.181027					<b>Frame 44</b> , bottom portion ...	1	—	MR/B	JD.5
	D.204663					<b>Frame 45</b> , bottom diaphragm ...	1	—		JD.5
7740	D.204666					<b>Frame 46</b> , bottom portion ...	1	—	MR/B	JD.5
7741	C.204667					<b>Frame 47</b> , bottom portion ...	1	—	MR/B	JD.5
	C.204668					<b>Frame 48</b> , half-bottom, port ...	1	—		JD.5
	C.204669					<b>Frame 48</b> , half-bottom, starboard ...	1	—		JD.5
7744	C.204670					<b>Frame 49</b> , half-bottom, port ...	1	—	MR/B	JD.5
7745	C.204671					<b>Frame 49</b> , half-bottom, starboard ...	1	—	MR/B	JD.5
7746	D.204873					<b>Frame 50</b> , bottom portion ...	1	—	MR/B	JD.5
7747	D.181048					<b>Frame 51</b> , bottom portion ...	1	—	MR/B	JD.5
7748	D.181051					<b>Frame 53</b> , bottom portion ...	1	—	MR/B	JD.5
7749	D.181054					<b>Frame 54</b> , bottom portion ...	1	—	MR/B	JD.5
	A.204798					<b>LEVER, FOR MICRO SWITCH, ASSEMBLY</b>	—	—		
5912	A.204707					<b>Bracket</b> ...	1	L.72	MR/C	
4949	F.204706					<b>Lever</b> ...	1	DTD.364	C.	
	F.216745					<b>Plate</b> , sealing ...	1	L.59		
5911	Std.1509/23/029					<b>Tube</b> , distance, $\frac{1}{16}$ " o/d $\times$ 17 s.w.g. $\times$ 0-29" long (Make from 30B/556)	2	T.4	MR/C	4
7750	C.203856					<b>Member</b> , bridge, on frames 48 and 49, group ...	2	L.72	MR/C	JD.5
8773	D.219450					<b>Member</b> , side, air brake jack attachment beam, between frames 47 and 50, port, group	1	—	MR/B	JD.5
8774	D.219451					<b>Member</b> , side, air brake jack attachment beam, between frames 47 and 50, starboard, group	1	—	MR/B	JD.5
7753	F.183785					<b>Packing</b> , taper ...	4	DTD.610	MR/C	
7754	F.204481					<b>Packing</b> , for angle, on frame 47 ...	2	L.72	MR/C	
7756	E.204792/2					<b>Packing</b> ...	1	L.72	MR/C	
5916	F.204971					<b>Packing</b> , for angles, at frame 45 ...	2	L.72	MR/C	—
5917	F.204170					<b>Packing</b> , for angles, at frame 45 ...	2	L.72	MR/C	—
4945	B.204064					<b>Panel</b> , access to jack attachment fitting, port ...	1	L.72	C.	JD.5
4946	B.204065					<b>Panel</b> , access to jack attachment fitting, starboard	1	L.72	C.	JD.5
4948	F.204262					<b>Pin</b> , for micro-switch striker ...	1	—	C	—
7758	C.185646/3					<b>Plate</b> , doubling, at frame 52 ...	1	DTD.610	MR/C	JD.5
7755	B.203874					<b>Plate</b> , reinforcing ...	1	L.72	MR/C	
7757	B.203875					<b>Plate</b> , reinforcing, frame 50 to 51 ...	1	L.72	MR/C	JD.5
7759	C.203911					<b>Plate</b> , end, on frame 47 ...	1	L.72	MR/C	JD.5
7760	B.203962					<b>Plate</b> , reinforcing, port ...	1	L.72	MR/C	
7761	B.203963					<b>Plate</b> , reinforcing, starboard ...	1	L.72	MR/C	
7762	A.204072					<b>Plate</b> , reinforcing, port ...	1	L.72	MR/C	
7763	A.204073					<b>Plate</b> , reinforcing, starboard ...	1	L.72	MR/C	
7764	B.205569					<b>Plate</b> , protecting, for air brake jack hose ...	1	L.72	MR/C	JD.5

FUSELAGE-REAR PORTION

Ref. No.	Part No.	Description					No. Off	Material Specification	M.R. Class of Store	Plate No.
		1	2	3	4	5				
		<b>PLUG, TELEBRIEFING, ASSEMBLY ...</b>					-	-		
7765	C.191817	<b>Angle</b> ...					1	DTD.610	MR/C	
1611	F.191977	<b>Bolt, shoulder</b> ...					2	S.2	C.	JD.3
7766	Std.323.20N	<b>Bracket, stop</b> ...					2	DTD.364	MR/C	
7767	F.191826	<b>Bracket, stop</b> ...					2	DTD.610	MR/C	
7768	F.191827	<b>Bracket, anchorage, on frame 53</b> ...					1	DTD.610	MR/C	
7769	F.191830	<b>Bracket, hinge</b> ...					1	DTD.610	MR/C	
1609	F.191831	<b>Bracket, hinge</b> ...					1	DTD.610	MR/C	
1610	A.191823	<b>Cover...</b> ...					1	DTD.213	C.	JD.3
7770	B.191822	<b>Door, access</b> ...					1	DTD.610	C.	JD.3
7771	B.191819	<b>Landing, for door access</b> ...					1	DTD.610	MR/C	
7772	B.191820	<b>Member, side</b> ...					1	DTD.610	MR/C	
7773	B.191821	<b>Member, side</b> ...					1	DTD.610	MR/C	
1612	C.191817/1	<b>Strip, rubber, <math>\frac{1}{16}</math>" thick, 0-38" wide</b> ...					1	DTD.560	C.	JD.3
1613	C.191817/2	<b>Strip, rubber, <math>\frac{1}{16}</math>" thick, 0-38" wide</b> ...					1	DTD.560	C.	JD.3
1854	E.202159/1A	<b>Skin, (Identical with E.204792/1A)</b> ...					1	L.72	B.	JD.1
7774	B.203905	<b>Skin, top, for jack attachment beam</b> ...					1	L.72	MR/B	JD.5
4947	F.204263	<b>Spring, for micro-switch striker pin</b> ...					1	Sp. Stl.	C.	-
5915	F.204970	<b>Stop, forward of frame 45</b> ...					2	L.72	MR/C	-
5910	F.205570	<b>Stop, at jack attachment, forward of frame 50, port</b>					1	L.72	MR/C	JD.5
6120	C.186467	<b>Strap, joint, aft of frame 55</b> ...					1	DTD.610	MR/C	JD.2
7775	D.183532	<b>Stringer, 'L,' between frames 44 and 52, port</b> ...					1	DTD.364	MR/C	JD.5
7776	D.183533	<b>Stringer, 'L,' between frames 44 and 52, starboard</b>					1	DTD.364	MR/C	JD.5
7777	C.183543	<b>Stringer, 'J,' 'K' and 'L,' aft of frame, port</b> ...					3	DTD.364	MR/C	JD.5
7778	C.183544	<b>Stringer, 'J,' 'K,' 'L' and 'M,' aft of frame 52, starboard</b>					4	DTD.364	MR/C	JD.5
7779	D.183632	<b>Stringer, 'J,' between frames 40B and 45, port</b>					1	DTD.364	MR/C	JD.5
7780	D.183633	<b>Stringer, 'J,' between frames 40B and 45, starboard</b>					1	DTD.364	MR/C	JD.5
7781	D.183634	<b>Stringer, forward of frame 43, port</b> ...					1	DTD.364	MR/C	JD.5
7782	D.183635	<b>Stringer, forward of frame 43, starboard</b> ...					1	DTD.364	MR/C	JD.5
4203	D.183636	<b>Stringer, 'K,' between frames 40B and 45, port</b>					1	DTD.364	MR/C	JD.5
7783	D.183637	<b>Stringer, 'K,' between frames 40B and 45, starboard</b>					1	DTD.364	MR/C	JD.5
7784	D.183638	<b>Stringer, forward of frame 43, port</b> ...					1	DTD.364	MR/C	JD.5
7785	D.183639	<b>Stringer, forward of frame 43, starboard</b> ...					1	DTD.364	MR/C	JD.5
7786	D.183640	<b>Stringer, 'L,' between frames 40B and 45, port</b>					1	DTD.364	MR/C	JD.5
7787	D.183641	<b>Stringer, 'L,' between frames 40B and 45, starboard</b>					1	DTD.364	MR/C	JD.5
7788	D.183642	<b>Stringer, forward of frame 42, port</b> ...					1	DTD.364	MR/C	JD.5
7612	D.183643	<b>Stringer, forward of frame 43, starboard</b> ...					1	DTD.364	MR/C	JD.5
	D.183530	<b>Stringer, 'J' and 'K,' between frames 44 and 52, port</b>					2	DTD.364		JD.5
	D.183531	<b>Stringer, 'J' and 'K,' between 44 and 52, starboard</b>					2	DTD.364		JD.5
7792	B.203876	<b>Stringer, between frames 46 and 47, port</b> ...					1	DTD.364	MR/C	JD.5
7793	B.203877	<b>Stringer, between frames 46 and 47, starboard</b> ...					1	DTD.364	MR/C	JD.5
7794	B.203878	<b>Stringer, between frames 50 and 51, port</b> ...					1	DTD.364	MR/C	JD.5
7795	B.203879	<b>Stringer, between frames 50 and 51, starboard</b> ...					1	DTD.364	MR/C	JD.5
7796	B.203880	<b>Stringer, 'M,' between frames 50 and 52</b> ...					1	DTD.364	MR/C	
7797	B.204818	<b>Stringer, 'M,' between frames 40B and 47</b> ...					1	DTD.364	MR/C	JD.5
6949	F.204224	<b>Tube, support, for micro-switch striker</b> ...					1	T.26 & S.3	MR/C	
4035	Std.1509/23/112	<b>Tube, distance, <math>\frac{3}{16}</math>" o/d x 17 s.w.g. x 1-12" long</b> (Make from 30B/556)					3	T.4	MR/C	4
4827	Std.1509/23/080	<b>Tube, distance, at attachment angles, frame 45, <math>\frac{3}{16}</math>" o/d x 17 s.w.g. x 0-8" long</b> (Make from 30B/556)					8	T.4	MR/C	4
5924	Std.1509/23/086	<b>Tube, distance, at attachment angle, frame 46, <math>\frac{3}{16}</math>" o/d x 17 s.w.g. x 0-86" long</b> (Make from 30B/556)					2	T.4	MR/C	4

Hunter T. Mk. 7  
 Issued with A/L No. 6

FUSELAGE—REAR PORTION

Ref. No.	Part No.	Description	No. Off	Material Specification	M.R. Class of Store	Plate No.
		<b>Structure</b> , rear extension, group (ASH.840/56) ...	1	—		
6125	F.235010	<b>Angle</b> , for catch-pin bracket ...	4	DTD.610	MR/C	—
6111	F.190667	<b>Bracket</b> , for lower lever and catch-pin, port and starboard	2	DTD.610	MR/C	—
	A.190584	<b>Bracket</b> , for lower lever and catch-pin, port and starboard	2	DTD.610	MR/C	—
6115	A.190585	<b>Bracket</b> , locating spigot on tail cone ...	4	DTD.364	C.	JD.3
1614	F.190589	<b>Drain</b> , extension ...	2	L.65.C	C.	JD.3
8513	F.216608	<b>Fitting</b> , attachment ...	4	—	MR/C	JD.3
4907	King Aircraft Corp. D.5067	<b>Frame 56</b> , side portion, port ...	1	DTD.610		
	D.190473	<b>Frame 56</b> , side portion, starboard ...	1	DTD.610		
6122	D.190474	<b>Frame 56</b> , bottom portion ...	1	DTD.610	B.	—
	D.190475	<b>Frame 57</b> , side portion, port ...	1	DTD.610		
	D.224024	<b>Frame 57</b> , side portion, starboard ...	1	DTD.610		
	D.224025	<b>Frame 57</b> , bottom portion ...	1	DTD.610		
	D.224026	<b>Landing</b> , top, locating tail cone ...	1	DTD.610		
	B.190529	<b>Landing</b> , side, locating tail cone, port ...	1	DTD.610		
	B.190530	<b>Landing</b> , side locating tail cone, starboard ...	1	DTD.610		
6119	B.190531	<b>Landing</b> , bottom, locating tail cone ...	1	DTD.610	C.	JD.3
6109	B.190532	<b>Lever and catch pin</b> ...	4	—	C.	JD.3
	King Aircraft Corp. C.3103/H	<b>Plate</b> , top joint on frame 56... ..	1	DTD.610		
6117	F.190590	<b>Plate</b> , joint, frame 56, port and starboard ...	2	DTD.610	MR/C	
6113	F.190592	<b>Plate</b> , joint, frame 57, port and starboard ...	2	DTD.610	MR/C	
	A.219856	<b>Plate</b> , top joint, frame 57 ...	1	DTD.610		
4211	Std.1687/2	<b>Saddle</b> , on stringer 'G,' starboard ...	1	DTD.610	C.	5
1025	King Aircraft Corp. D.3060/2	<b>Screw</b> , locking ...	4	—	C.	JD.3
	D.224027/1	<b>Skin</b> , side, port ...	1	DTD.610		
	F.235010/1	<b>Skin</b> , side, starboard (ASH.840/56) ...	1	DTD.610		
	F.235010/2	<b>Skin</b> , bottom (ASH.840/56) ...	1	DTD.610		
6118	B.190669	<b>Strap</b> , joint, port and starboard ...	2	DTD.610	MR/C	—
6124	A.190586	<b>Stringer</b> , forward of frame 56 ...	19	DTD.610	MR/C	JD.2
6110	A.190588	<b>Stringers</b> , between frames 56 and 57 ...	13	DTD.610	C.	JD.2
4555	Std.915/A22	<b>Washer</b> ...	2	DTD.610	C.	4
	D.201634	<b>Structure</b> , side portion, port, group ...	1	—		
	D.201635	<b>Structure</b> , side portion, starboard, group ...	1	—		
	A.188174	<b>Beam</b> , for slinging socket, group ...	2	—		
	B.188104	<b>Beam</b> , group ...	1	—		
2401	A.188105	<b>Socket</b> , slinging ...	1	DTD.364	MR/C	JD.2
113	F.180423	<b>Plug</b> , screwed ...	1	DTD.364	C.	JD.2
	B.204353	<b>Bracket</b> , for control valve, port ...	2	DTD.610	MR/C	JD.2
	C.184956	<b>Landing</b> , for access panel to jet pipe coupling fuel connections, thermo-couple and igniter plug, group	4	DTD.610		
28FP/619	FLA.5.225	<b>Dzus</b> , cage ...	3	—	C.	

FUSELAGE-REAR PORTION

Ref. No.	Part No.	Description	No. Off	Material Specification	M.R. Class of Store	Plate No.
28FP/619	C.184955	Landing, for thermo-couple access panel, group	4	DTD.610	C.	
	FLA.5.225	Cage ... ..	1	—		
	D.210760	<b>MOUNTING, FOR DE-ICING TANK AND MOTOR MOUNTINGS AND SUPPLY SOCKET HOUSING, ASSEMBLY</b>	-	—		
9026	F.210771	Bracket, fastener ... ..	1	—	C.	
	F.210770	Cover... ..	1	—		
5955	C.202325	Plate, reinforcing, for access panel to fuel tank switch, port	1	DTD.610	MR/C	JD.2
5956	C.202326	Plate, reinforcing, for access panel to fuel tank switch, starboard	1	DTD.610	MR/C	JD.2
2404	B.184847	Plate, reinforcing, for access panel to jet pipe rear mounting	1	DTD.610	MR/C	JD.2
4211	Std.1687/2	Saddle ... ..	3	DTD.610	C.	5
1855	D.202157/1A	Skin, port ... ..	1	L.72	B.	JD.1
1856	D.202158/1A	Skin, starboard ... ..	1	L.72	B.	JD.3
	B.191149	<b>VENTILATION, BETWEEN FRAMES 46 AND 47, ASSEMBLY</b>	-	—		
2405	A.191151	Louvre ... ..	2	L.59	MR/C	JD.1
	A.191150	Plate, reinforcing ... ..	2	DTD.610		

Hunter T. Mk. 7  
 Issued with A/L No. 10

FUSELAGE-REAR PORTION

Ref. No.	Part No.	Description					No. Off	Material Specification	M.R. Class of Store	Plate No.
		1	2	3	4	5				
<b>SUMMARY OF STOCK ITEMS</b>										
28D/1010658	A25.1B	<b>Bolt,</b>	4	B.A.	...	...	...	...	...	...
28D/12277	A25.17B	<b>Bolt,</b>	4	B.A.	...	...	...	...	...	...
28D/9436920	A25.1C	<b>Bolt,</b>	2	B.A.	...	...	...	...	...	...
28D/9133011	A25.2C	<b>Bolt,</b>	2	B.A.	...	...	...	...	...	...
28D/9133012	A25.3C	<b>Bolt,</b>	2	B.A.	...	...	...	...	...	...
28D/1200119	A25.4C	<b>Bolt,</b>	2	B.A.	...	...	...	...	...	...
28D/12533	A25.5C	<b>Bolt,</b>	2	B.A.	...	...	...	...	...	...
28D/7002428	A25.6C	<b>Bolt,</b>	2	B.A.	...	...	...	...	...	...
28D/12515	A25.10C	<b>Bolt,</b>	2	B.A.	...	...	...	...	...	...
28D/9435710	A25.11C	<b>Bolt,</b>	2	B.A.	...	...	...	...	...	...
28D/9419397	A25.12C	<b>Bolt,</b>	2	B.A.	...	...	...	...	...	...
28D/9140647	A25.14C	<b>Bolt,</b>	2	B.A.	...	...	...	...	...	...
28D/9453970	A25.15C	<b>Bolt,</b>	2	B.A.	...	...	...	...	...	...
28D/1011022	A25.18C	<b>Bolt,</b>	2	B.A.	...	...	...	...	...	...
28D/12985	A25.25C	<b>Bolt,</b>	2	B.A.	...	...	...	...	...	...
28D/12812	A25.12E	<b>Bolt,</b>	1/4"	B.S.F.	...	...	...	...	...	...
28D/12547	A25.15E	<b>Bolt,</b>	1/4"	B.S.F.	...	...	...	...	...	...
28D/1011248	A25.16E	<b>Bolt,</b>	1/4"	B.S.F.	...	...	...	...	...	...
28D/13046	A25.19E	<b>Bolt,</b>	1/4"	B.S.F.	...	...	...	...	...	...
28D/14522	A25.23E	<b>Bolt,</b>	1/4"	B.S.F.	...	...	...	...	...	...
28D/12775	A25.17G	<b>Bolt,</b>	5/16"	B.S.F.	...	...	...	...	...	...
28D/12997	A25.11N	<b>Bolt,</b>	1/2"	B.S.F.	...	...	...	...	...	...
28D/11100	AGS.571.405	<b>Bolt,</b>	1/4"	B.S.F.	...	...	...	...	...	...
28D/9757	AGS.571.406	<b>Bolt,</b>	1/4"	B.S.F.	...	...	...	...	...	...
28D/8300	AS.1242.1B	<b>Bolt,</b>	4	B.A.	...	...	...	...	...	...
28D/1007975	AS.1242.1C	<b>Bolt,</b>	2	B.A.	...	...	...	...	...	...
28D/8307	AS.1242.2C	<b>Bolt,</b>	2	B.A.	...	...	...	...	...	...
28D/8308	AS.1242.3C	<b>Bolt,</b>	2	B.A.	...	...	...	...	...	...
28D/1007982	AS.1248.1C	<b>Bolt,</b>	2	B.A.	...	...	...	...	...	...
28D/1013284	AS.1248.2C	<b>Bolt,</b>	2	B.A.	...	...	...	...	...	...
28D/1007976	AS.1242.4C	<b>Bolt,</b>	2	B.A.	...	...	...	...	...	...
28D/13853	A30.4E	<b>Bolt,</b>	1/4"	B.S.F.	...	...	...	...	...	...
28D/13100	A30.5E	<b>Bolt,</b>	1/4"	B.S.F.	...	...	...	...	...	...
28E/10045	AS.2294.8	<b>Clip,</b>	spring	...	...	...	...	...	...	...
5K/2870	SP.40.A16	<b>Grommet</b>	...	...	...	...	...	...	...	...
28M/13274	A24.PP	<b>Nut,</b>	9/16"	B.S.F.	...	...	...	...	...	...
28M/9403520	A27.CP	<b>Nut,</b>	2	B.A.	...	...	...	...	...	...
28M/12928	A27.EP	<b>Nut,</b>	1/4"	B.S.F.	...	...	...	...	...	...
28M/12931	A27.ET	<b>Nut,</b>	1/4"	B.S.F.	...	...	...	...	...	...
28M/14555	A.58.N.S.	<b>Nut,</b>	1/2"	B.S.F.	...	...	...	...	...	...
28M/13403	AGS.572.AP	<b>Nut,</b>	1/4"	B.S.F.	...	...	...	...	...	...
28M/10286	AGS.2001.A1	<b>Nut,</b>	6	B.A.	...	...	...	...	...	...
28M/10287	AGS.2001.B1	<b>Nut,</b>	4	B.A.	...	...	...	...	...	...
28M/13307	AGS.2018.B1	<b>Nut,</b>	4	B.A.	...	...	...	...	...	...
28M/13774	AGS.2019.B1	<b>Nut,</b>	4	B.A.	...	...	...	...	...	...
28M/10288	AGS.2001.C1	<b>Nut,</b>	2	B.A.	...	...	...	...	...	...
28M/10328	AGS.2002.C1	<b>Nut,</b>	2	B.A.	...	...	...	...	...	...
28M/11957	AGS.2007.C1	<b>Nut,</b>	2	B.A.	...	...	...	...	...	...
28M/10214	AGS.2008.A1	<b>Nut,</b>	6	B.A.	...	...	...	...	...	...
28M/10216	AGS.2008.C1	<b>Nut,</b>	2	B.A.	...	...	...	...	...	...

FUSELAGE-REAR PORTION

Ref. No.	Part No.	Description					No. Off	Material Specification	M.R. Class of Store	Plate No.
		1	2	3	4	5				
28M/9993192	AGS.2009.C1	Nut, 2 B.A.	...	...	...	...	...	-	-	-
28M/9999	AGS.2012.C1	Nut, 2 B.A.	...	...	...	...	...	-	-	-
28M/12421	AGS.2018.C1	Nut, 2 B.A.	...	...	...	...	...	-	-	-
28M/9144673	AGS.2019.C1	Nut, 2 B.A.	...	...	...	...	...	-	-	-
28M/13481	AGS.2020.C1	Nut, 2 B.A.	...	...	...	...	...	-	-	-
28P/841	SP.4.Y.B15	Pin, shackle	...	...	...	...	...	-	-	-
28P/19225	SP.90.C3	Pin, split ...	...	...	...	...	...	-	-	-
28P/19229	SP.90.C9	Pin, split ...	...	...	...	...	...	-	-	-
28P/5412	AGS.1551.2	Pin, split ...	...	...	...	...	...	-	-	-
28S/14005	A32.B14	Screw, 4 B.A.	...	...	...	...	...	-	-	-
28S/13742	A32.C14	Screw, 2 B.A.	...	...	...	...	...	-	-	-
28S/1006948	A32.A12	Screw, 6 B.A.	...	...	...	...	...	-	-	-
28S/6348	A37.C16	Screw, 2 B.A.	...	...	...	...	...	-	-	-
28S/6611	A37.C20	Screw, 2 B.A.	...	...	...	...	...	-	-	-
28W/9419479	SP.15N	Washer ...	...	...	...	...	...	-	-	-
28W/9419491	SP.16N	Washer ...	...	...	...	...	...	-	-	-
28W/9419480	SP.15P	Washer ...	...	...	...	...	...	-	-	-

FUSELAGE—AIR BRAKE

Ref. No.	Part No.	Description					No. Off	Material Specification	M.R. Class of Store	Plate No.
		1	2	3	4	5				
	D.204125	<b>AIR BRAKE, ASSEMBLY</b> ... ..					—	—		
4938	E.204400	<b>Air Brake, group</b> ... ..					1	—	A.	JD.6
	B.204309	<b>Anchorage, for jack, group</b> ... ..					1	Stmpg.		JD.6
4939	F.204324	<b>Bush</b> ... ..					2	S.96.B	C.	JD.6
5970	F.204386	<b>Angle cleat, attaching former No. 1, outer portion, port</b>					1	DTD.364	MR/C	—
5971	F.204387	<b>Angle cleat, attaching former No. 1, outer portion, starboard</b>					1	DTD.364	MR/C	—
5972	F.204390	<b>Angle cleat, attaching former No. 1, centre portion, port</b>					1	DTD.364	MR/C	—
5973	F.204391	<b>Angle cleat, attaching former No. 1, centre portion, starboard</b>					1	DTD.364	MR/C	—
5974	F.204401	<b>Angle cleat, attaching former No. 2, outer portion, port</b>					1	DTD.364	MR/C	—
5975	F.204402	<b>Angle cleat, attaching former No. 2, outer portion, starboard</b>					1	DTD.364	MR/C	—
4940	Std.1553/G/140	<b>Bolt, securing jack anchorage</b> ... ..					1	S.99.B	C.	5
4941	Std.1553/G/180	<b>Bolt, securing jack anchorage</b> ... ..					3	S.99.B	C.	5
5976	B.204357	<b>Channel, centre, front</b> ... ..					1	L.73	MR/C	JD.6
5977	B.204358	<b>Channel, centre, rear</b> ... ..					1	L.72	MR/C	JD.6
5978	B.204482	<b>Fitting, hinge, port, group</b> ... ..					1	Stmpg.	MR/C	JD.6
4943	F.204036	<b>Bush</b> ... ..					2	BSS.369	C.	JD.6
5979	B.204483	<b>Fitting, hinge, starboard, group</b> ... ..					1	Stmpg.	MR/C	JD.6
4944	F.205200	<b>Bush</b> ... ..					2	BSS.369	C.	JD.6
5980	D.204359	<b>Former No. 1, centre portion</b> ... ..					1	L.72	MR/C	JD.6
5981	D.204360	<b>Former No. 1, outer portion, port</b> ... ..					1	L.72	MR/C	JD.6
5982	D.204361	<b>Former No. 1, outer portion, starboard</b> ... ..					1	L.72	MR/C	JD.6
5983	C.204369	<b>Former No. 1A, centre portion, port</b> ... ..					1	L.72	MR/C	JD.6
5984	C.204370	<b>Former No. 1A, centre portion, starboard</b> ... ..					1	L.72	MR/C	JD.6
5985	D.204362	<b>Former No. 2, centre portion</b> ... ..					1	L.72	MR/C	JD.6
5986	D.204363	<b>Former No. 2, outer portion, port</b> ... ..					1	L.72	MR/C	JD.6
5987	D.204364	<b>Former No. 2, outer portion, starboard</b> ... ..					1	L.72	MR/C	JD.6
5988	B.204371	<b>Rib, nose, centre</b> ... ..					1	L.72	MR/C	JD.6
5989	B.204458	<b>Rib, nose, outer, port</b> ... ..					1	L.72	MR/C	JD.6
5990	B.204459	<b>Rib, nose, outer, starboard</b> ... ..					1	L.72	MR/C	JD.6
5991	C.204365	<b>Rib, hinge, inner, port</b> ... ..					1	L.72	MR/C	JD.6
5992	C.204366	<b>Rib, hinge, inner, starboard</b> ... ..					1	L.72	MR/C	JD.6
5993	D.204367	<b>Rib, hinge, outer, port</b> ... ..					1	L.72	MR/C	JD.6
5994	D.204368	<b>Rib, hinge, outer, starboard</b> ... ..					1	L.72	MR/C	JD.6
5996	D.204379	<b>Skin, outer</b> ... ..					1	L.72	MR/B	JD.6
5995	D.204378	<b>Skin, inner</b> ... ..					1	L.72	MR/B	JD.6
5997	D.204376	<b>Skin, nose, outer, port</b> ... ..					1	L.72	MR/B	JD.6
5998	D.204377	<b>Skin, nose, outer, starboard</b> ... ..					1	L.72	MR/B	JD.6
5999	D.204374	<b>Skin, nose, outer, port</b> ... ..					1	L.72	MR/B	JD.6
6000	D.204375	<b>Skin, nose, outer, starboard</b> ... ..					1	L.72	MR/B	JD.6
5826	A205985	<b>Spring, operating micro switch</b> ... ..					1	DTD.187	C.	JD.6
6001	C.204380	<b>Strap, butt, between main and nose skins, port...</b>					1	L.72	MR/C	JD.6
6002	C.204381	<b>Strap, butt, between main and nose skins, starboard</b>					1	L.72	MR/C	JD.6

FUSELAGE—AIR BRAKE

Ref. No.	Part No.	Description	No. Off					Material Specification	M.R. Class of Store	Plate No.	
			1	2	3	4	5				
4933	F.204144	<b>Bolt</b> , securing jack to flap ... ..						1	S.99.B	C.	JD.6
4934	Std.1551/5/135	<b>Bolt</b> , securing flap to forward hinge fittings ... ..						2	S.99.B	C.	5
4935	Std.1551/8/475	<b>Bolt</b> , securing jack to fuselage, forward of frame						50	S.99.B	C.	5
	Std.1996/8	<b>Chain</b> , rigid link ... ..						1	Comm'l Brass		
4936	A.204797	<b>Clip</b> , at jack, for check chain attachment ... ..						1	S.3	C.	JD.6
27Q/1887	Dowty 08673Y-- <del>A.02</del> A.02.	<b>Jack</b> , hydraulic (AS.740/39) ... ..						1	—	A.	
4937	Std.1921/QS	<b>Nut</b> , for jack attachment bolts ... ..						2	S.94.B S.95.B or S.96.B	C.	5

FUSELAGE-AIR BRAKE

Ref No.	Part No.	Description					No. Off	Material Specification	M.R. Class of Store	Place No.		
		1	2	3	4	5						
<b>SUMMARY OF STOCK ITEMS</b>												
28D/9133011	A25.2.C	<b>Bolt</b>	2	B.A.	...	...	...	...	...	-	-	-
28D/9133012	A25.3.C	<b>Bolt</b>	2	B.A.	...	...	...	...	...	-	-	-
28D/1200119	A25.4.C	<b>Bolt</b>	2	B.A.	...	...	...	...	...	-	-	-
28D/7002428	A25.6.C	<b>Bolt</b>	2	B.A.	...	...	...	...	...	-	-	-
28D/1011246	A25.11.E	<b>Bolt</b>	$\frac{1}{4}$ "	B.S.F.	...	...	...	...	...	-	-	-
28D/12812	A25.12.E	<b>Bolt</b>	$\frac{1}{4}$ "	B.S.F.	...	...	...	...	...	-	-	-
28D/15068	A57.2.E	<b>Bolt</b>	$\frac{1}{4}$ "	B.S.F.	...	...	...	...	...	-	-	-
28M/9403520	A27.C.P	<b>Nut</b>	2	B.A.	...	...	...	...	...	-	-	-
28M/12928	A27.E.P	<b>Nut</b>	$\frac{1}{4}$ "	B.S.F.	...	...	...	...	...	-	-	-
28M/1006939	A27.G.P.	<b>Nut</b>	$\frac{5}{16}$ "	B.S.F.	...	...	...	...	...	-	-	-
28M/15199	A58.L.S	<b>Nut</b>	...	...	...	...	...	...	...	-	-	-
28P/811	SP.4.Y.A1	<b>Pin</b>	...	...	...	...	...	...	...	-	-	-
28P/19225	SP.90.C3	<b>Pin, split</b>	...	...	...	...	...	...	...	-	-	-
28P/19234	SP.90.E8	<b>Pin, split</b>	...	...	...	...	...	...	...	-	-	-
28P/19157	SP.90.G10	<b>Pin, split</b>	...	...	...	...	...	...	...	-	-	-
28W/9419474	SP.15.B	<b>Washer</b>	...	...	...	...	...	...	...	-	-	-
28W/9419475	SP.15.C	<b>Washer</b>	...	...	...	...	...	...	...	-	-	-
28W/9419405	SP.15.E	<b>Washer</b>	...	...	...	...	...	...	...	-	-	-
28W/9419476	SP.15.G	<b>Washer</b>	...	...	...	...	...	...	...	-	-	-
28W/9419490	SP.16.L	<b>Washer</b>	...	...	...	...	...	...	...	-	-	-
28W/9419493	SP.16.Q	<b>Washer</b>	...	...	...	...	...	...	...	-	-	-

FUSELAGE—AIR BRAKE

Ref. No.	Part No.						Description	No. Off	Material Specification	M.R. Class of Store	Plate No.
		1	2	3	4	5					

FUSELAGE-TAIL CONE

Ref No.	Part No.	Description	No. Off					Material Specification	M.R. Class of Store	Plate No.
			1	2	3	4	5			
10630	C.247660	<b>TAIL, CONE, GROUP</b> (Less Parachute) (AS.970/76)						A.	JD.7	
—	—	<b>Electrical Installation</b> (See Section EC) ... ..					—	—		
		(Appropriate parts to be fitted when tail cone is supplied as a spare)								
	E.222063	<b>MECHANISM, RELEASE, FOR PARACHUTE DOORS, ASSEMBLY</b>					—			
9304	Std.1639/18/EX	<b>Bolt</b> attaching link to starboard door ... ..					S.95.C	C.	JD.7	
9305	B.223075	<b>Cable</b> , door release ... ..	1				—	C.	JD.7	
9306	A.220003	<b>Lever</b> , operating, port door ... ..	1				—	C.	JD.7	
9307	A.220330	<b>Lever</b> , operating, starboard door ... ..	1				—	C.	JD.7	
9308	F.222994	<b>Link</b> , connecting ... ..	1				—	C.	JD.7	
9309	A.220002	<b>Link</b> , operating, port and starboard ... ..	1				—	C.	JD.7	
9310	B.222895	<b>Lock</b> , for door ... ..	1				—	B.	JD.7	
9311	F.223076	<b>Plate</b> , serrated, at lock attachment ... ..	1				S.95.B or S.520	C.	JD.7	
	F.221345	<b>Plug</b> , for spring box, port ... ..	1				L.65.C			
9312	F.220615	<b>Shim</b> , laminated, at lock attachment ... ..	1				Shim. Alum.	C.		
9313	F.219838	<b>Spring</b> ... ..	2				Spr. Stl.	C.	JD.7	
	F.220315	<b>Tube</b> , distance ... ..	6				T.26			
	F.220319	<b>Tube</b> , distance, at attachment of link to door ... ..	2				T.26			
	F.220320	<b>Tube</b> , distance, at lever attachment ... ..	1				T.26			
	F.220321	<b>Tube</b> , distance, at lever attachment ... ..	1				T.26			
	F.222023	<b>Tube</b> , distance, at attachment of spring box, starboard ... ..	1				BSS.369			
	A.220009	<b>Tube</b> , outer, for spring box, port ... ..	1				—			
	A.220111	<b>Tube</b> , outer, for spring box, starboard ... ..	1				—			
10949	A.220010	<b>Tube</b> , inner, for spring box ... ..	2				—	C.		
	B.221759	<b>Unit</b> , spring release, group ... ..	1				—			
	B.221760	<b>Bracket</b> , mounting ... ..	1				—			
9314	A.221762	<b>Lever</b> ... ..	1				—	C.	JD.7	
9315	A.221857	<b>Lever</b> , group ... ..	1				—	B.	JD.7	
3A/9500409	BRA. $\frac{3}{16}$ "	<b>Bearing</b> ... ..	1				—	B.		
	F.221967	<b>Shim</b> , laminated, $\frac{1}{32}$ " thick ... ..	1				Alum.	C.	JD.7	
5CW/6694	Rotax D.5320	<b>Solenoid</b> ... ..	1				—	A.		
	F.221763	<b>Tube</b> , distance ... ..	1				S.62.B			
	F.221807	<b>Tube</b> , distance ... ..	1				T.26			
—	Std.1507/2/225	<b>Tube</b> , distance, $\frac{1}{4}$ " o/d x 22 s.w.g. x 2.25" long (Make from 30A/965)	1				T.26	—		
9317	F.222024	<b>Washer</b> , at attachment of spring box, starboard	2				BSS.369	C.	JD.7	
	E.222062	<b>PARACHUTE, BRAKING, TAIL CONE, ASSEMBLY</b>					—			
5CW/6741	Burgess	<b>Actuator</b> , auxillary Type 'B' (Mod. 850) ... ..	1				—	B.		
	F.235007	<b>Angle</b> , support (Mod. 850) ... ..	1				L.72			
	F.222315	<b>Bracket</b> , mounting, at access panel in fin fairing ... ..	1				—			
	B.221093	<b>Bracket</b> , mounting, for micro switch ... ..	1				—			
	A.221094	<b>Bracket</b> , stop, at micro switch ... ..	1				L.62			
	B.220537	<b>Bracket</b> , support, at cable duct ... ..	1				—			
10483	G.243119	<b>Door</b> , port, group (Mod. 850) ... ..	1				—	A.	JD.7	
10484	G.243120	<b>Door</b> , starboard, group (Mod. 850) ... ..	1				—	A.	JD.7	
	F.220325	<b>Boss</b> , special, starboard ... ..	1				—			
	F.222112	<b>Bracket</b> , attachment, port ... ..	1				—			
	A.222993	<b>Bracket</b> , latch, port ... ..	1				S.95.B			
	D.233811	<b>DETAILS OF STARBOARD DOOR ASSEMBLY</b> (Mod. 774)					—			
	9320	<b>Cable</b> , release ... ..	1				—	C.	JD.7	
	F.221355	<b>Landing</b> , group ... ..	1				—			
28FP/611	Dzus Type R5	<b>Receptacle</b> ... ..	1				—	C.		
	F.231650	<b>Landing</b> , group ... ..	1				—			
28FP/611	Dzus Type R5	<b>Receptacle</b> ... ..	1				—	C.		

FUSELAGE-TAIL CONE

Ref. No.	Part No.	Description					No. Off	Material Specification	M.R. Class of Store	Plate No.
		1	2	3	4	5				
9878	Std.1231/7B						1	S.3		
28FP/861	F.231978						1	—	C.	JD.7
28FP/612	Dzus F5/T/12						1	—	C.	
9321	Dzus GH.5						1	—	C.	
28FP/745	A.222104						1	—	B.	JD.7
28FP/612	Dzus F5/T/14						1	—	C.	
	Dzus GH.5						1	—	C.	
	F.222166						1	L.72		
	F.231651						1	L.72		
	C.223963						2	—		
—	Std.1507/2/048						2	T.26	—	
	B.220131						1	—		
	C.220870						1	—		
	C.246293						—	—		
10571	A.245322						1	S.510	C.	
10570	B.245172						1	—	C.	
	B.237750						1	L.72		
28FP/611	Dzus Type R.5						1	—	C.	
9322	F.222114						1	—	C.	JD.7
9323	F.222113						1	—	C.	JD.7
4242	Std. 1231/7						1	—	C.	
	D.237526						—	—		
10487	A.237529						1	—	C.	
10486	B.237528						1	—	B.	
28FP/188	Europe Ltd.						2	—	C.	
	AJ/3/30									
10536	F.237531						1	S.510	C.	
9494	F.221158						1	—	C.	
	A.238436						1	—		
	A.238437						1	—		
5CW/6376	—						1	—	B.	
	C.221926						—	—		
	F.222663						1	—		
	F.220317						1	L.72		
	A.220312						1	S.510 & S.92.B		
9324	F.223077						1	S.95.B	C.	JD.7
10485	A.237749						1	—	B.	JD.7
28FP/861	Dzus F5/T/12						1	—	C.	
28FP/612	Dzus GH.5						1	—	C.	
5CW/6376	—						1	—	B.	
4150	Std.915/C/22						3	DTD.610	C.	4
15D/563	MRIGQ.306*						1	—	A.	
15D/732	MRI.GQ.410 (Issue 4)						1	—	A.	
15D/	B.246487						1	—	B.	
15D/590	A.222111						1	—	C.	
15D/632	F.234352						1	S.80.B	C.	
15D/721	F.246486						1	S.98.B	C.	
15D/722	Std.1551/1/65						2	S.98.B	C.	
15D/723	F.237558						1	S.98.B	C.	
4488	Std.1718/1						2	S.95.B	C.	
15D/	F.228548						1	S.98.B	C.	
15D/591	F.222207						1	—	C.	

FUSELAGE-TAIL CONE

Ref. No.	Part No.	Description					No. Off	Material Specification	M.R. Class of Store	Plate No.
		1	2	3	4	5				
15D/	G.Q.30783						1	—	A.	
15D/	—						1	DTD.5502	C.	
15D/	G.Q.10334						1	—	A.	
15D/	G.Q.1716						1	—	A.	
15D/	G.Q.10339						1	—	A.	
15D/	G.Q.30681						1	—	C.	
15D/	G.Q.10334/10						1	—	C.	
15D/	—						1	DTD.5502	C.	
	D.223395						1	—		
	A.190635						1	DTD.610		
	A.190636						1	DTD.610		
	B.190626						1	DTD.610		
	B.190627						1	DTD.610		
	B.190628						1	DTD.610		
	B.190629						1	DTD.610		
8513	F.216608						1	L.65.C	C.	JD.1
	D.190618/1						1	DTD.610		
	D.190618/2						1	DTD.610		
	D.190618/3						1	DTD.610		
	D.190618/4						1	DTD.610		
	D.190619/1						1	DTD.610		
	D.190619/2						1	DTD.610		
	D.190619/3						1	DTD.610		
	C.192601/1						1	DTD.610		
	C.192601/2						1	DTD.610		
	D.192608/4						1	L.72		
937	K.A.C. C.3102						4	—	C.	JA.2
	A.190638						1	—		
936	A.190637						1	DTD.610	C.	JD.1
	A.190630						2	DTD.610		
	A.190631						1	DTD.610		
	A.190632						1	DTD.610		
	A.192793						1	DTD.610		
	A.192794						2	DTD.610		
	D.223395/1						1	DTD.610		
	D.223395/2						1	DTD.610		
938	F.190633						1	DTD.364	C.	JA.2
939	F.190634						1	DTD.364	C.	JA.2
940	F.168707						2	DTD.364	C.	JA.2
	B.192604						1	DTD.610		
	C.192605						1	DTD.610		
941	F.168708						2	Rubber	C.	JA.2
	D.223396						1	—		
8513	F.216608						1	L.65.C	C.	JD.1
	C.192602						1	DTD.610		
	D.192642/4						1	DTD.610		
	D.223396/1						1	DTD.610		
	D.223396/2						1	DTD.610		
	B.192606						1	DTD.610		
	A.192607						1	DTD.610		
	C.223397						1	—		
	B.223398						1	—		
	B.223398/1						1	DTD.171		
	B.223398/3						1	DTD.171		
	A.214524						1	DTD.171		

FUSELAGE-TAIL CONE

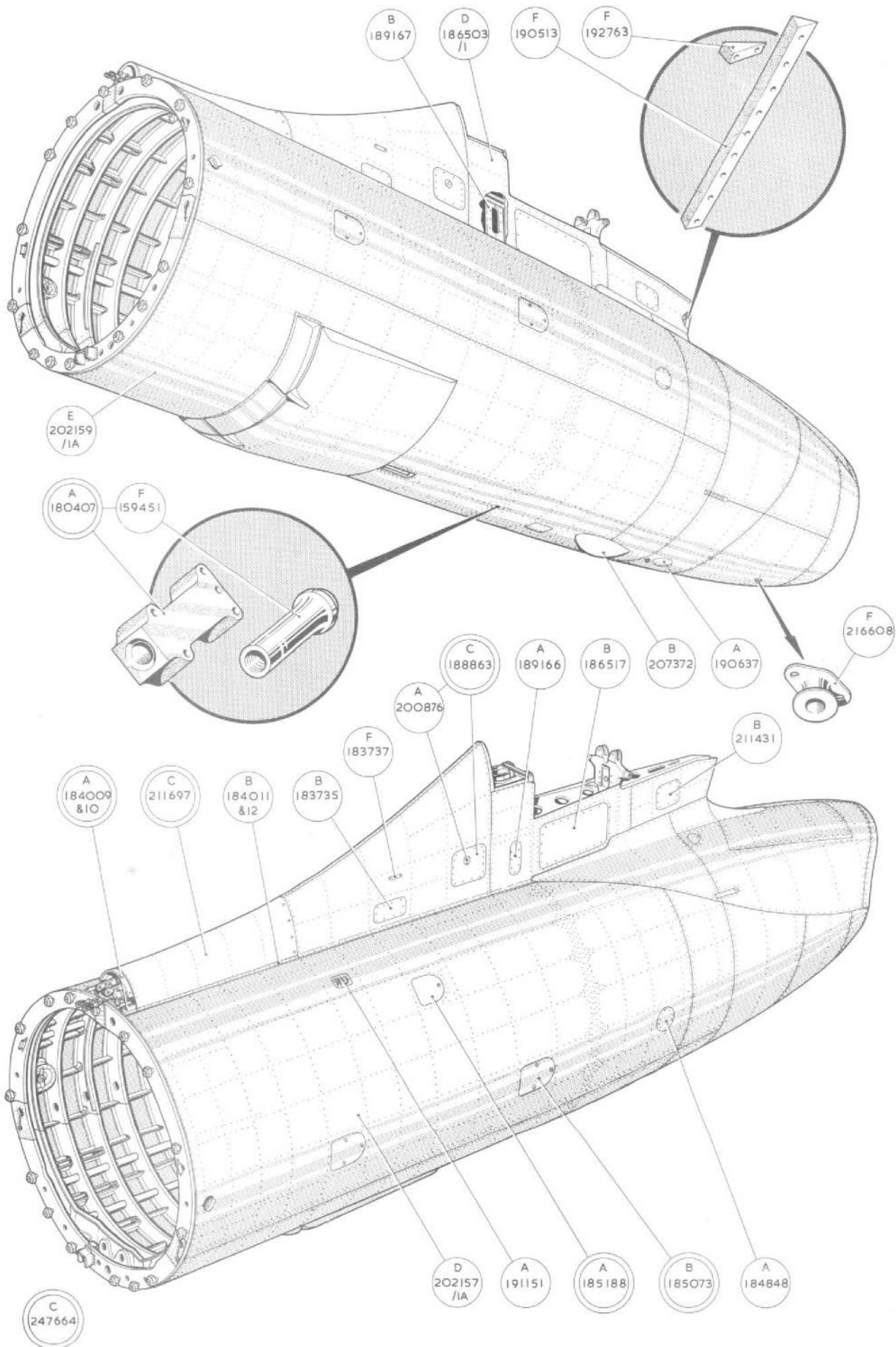
Ref. No.	Part No.	Description					No. Off	Material Specification	M.R. Class of Store	Plate No.
		1	2	3	4	5				
C.214504							1	—		
C.214504/1							1	DTD.171		
C.214504/2							1	DTD.171		
F.214520							1	DTD.171		
C.214504/3							1	DTD.171		
F.214520							1	DTD.171		
F.214522							2	DTD.171		
F.214562							2	DTD.171		
C.223397/2							1	DTD.171		
A.214523/2							1	DTD.171		

FUSELAGE—TAIL CONE

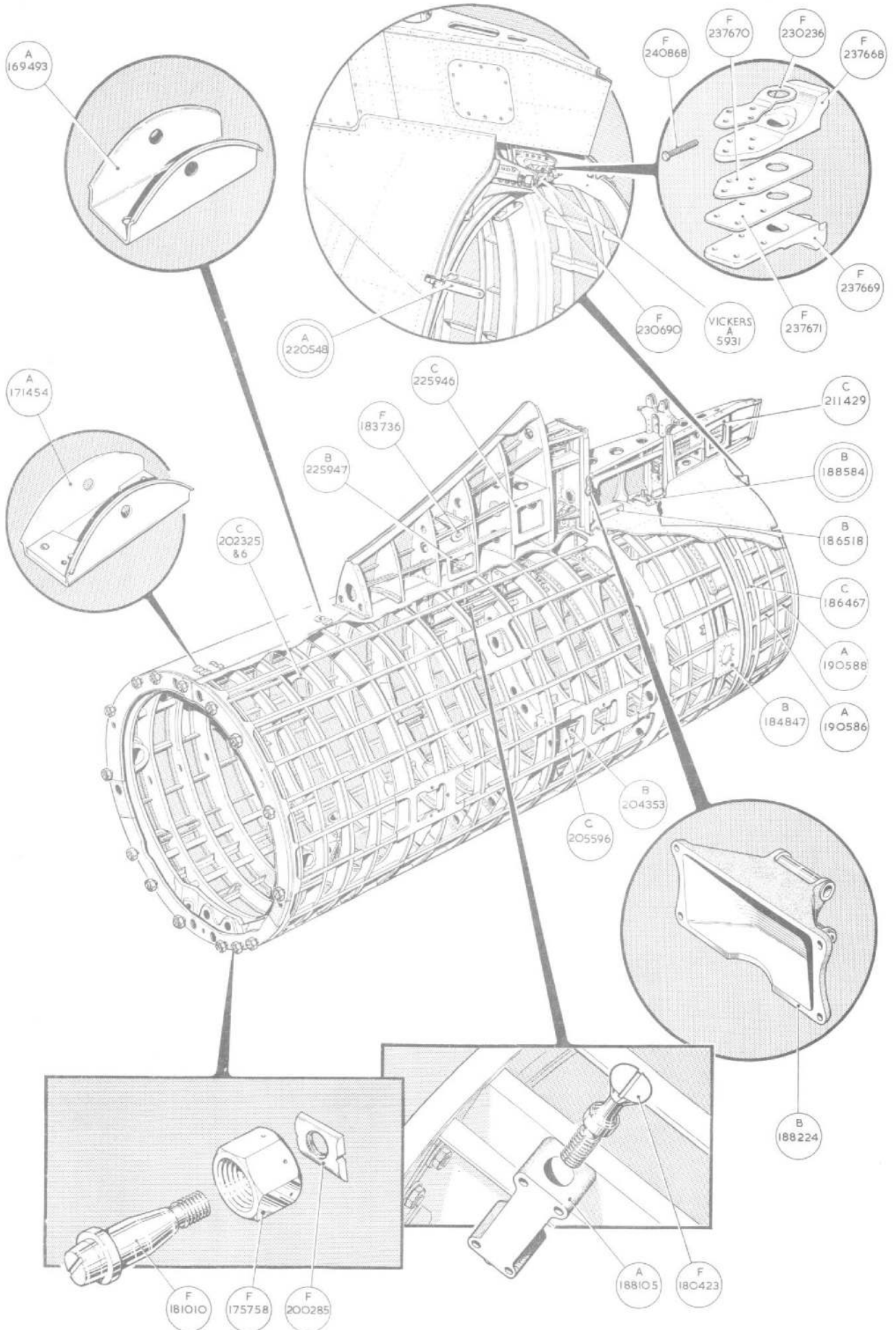
Ref. No.	Part No.	Description					No. Off	Material Specification	M.R. Class of Store	Plate No.
		1	2	3	4	5				
<b>SUMMARY OF STOCK ITEMS</b>										
28D/1010658	A25.1.B	Bolt,	4	B.A.	...	...	...	...	...	...
28D/1008149	A25.2.B	Bolt,	4	B.A.	...	...	...	...	...	...
28D/9435711	A25.10.B.	Bolt,	4	B.A.	...	...	...	...	...	...
28D/9140639	A25.11.B	Bolt,	4	B.A.	...	...	...	...	...	...
28D/9436920	A25.1.C	Bolt,	2	B.A.	...	...	...	...	...	...
28D/9133011	A25.2.C	Bolt,	2	B.A.	...	...	...	...	...	...
28D/12514	A25.7.C	Bolt,	2	B.A.	...	...	...	...	...	...
28D/9419397	A25.12.C	Bolt,	2	B.A.	...	...	...	...	...	...
28D/12985	A25.25.C	Bolt,	2	B.A.	...	...	...	...	...	...
28D/1011247	A25.13.E	Bolt,	1/4"	B.S.F.	...	...	...	...	...	...
28D/12634	A25.18.E	Bolt,	1/4"	B.S.F.	...	...	...	...	...	...
28D/13046	A25.19.E	Bolt,	1/4"	B.S.F.	...	...	...	...	...	...
28D/12571	A25.21.E	Bolt,	1/4"	B.S.F.	...	...	...	...	...	...
28D/12888	A25.34.E	Bolt,	1/4"	B.S.F.	...	...	...	...	...	...
28D/1007468	AS.1242/3/B	Bolt,	4	B.A.	...	...	...	...	...	...
28D/8306	AS.1242/1/C	Bolt,	2	B.A.	...	...	...	...	...	...
28D/8308	AS.1242/3/C	Bolt,	2	B.A.	...	...	...	...	...	...
28D/8309	AS.1242/4/C	Bolt,	2	B.A.	...	...	...	...	...	...
28D/8310	AS.1242/6/C	Bolt,	2	B.A.	...	...	...	...	...	...
28D/8311	AS.1242/7/C	Bolt,	2	B.A.	...	...	...	...	...	...
28D/1007981	AS.1248/1/3/C	Bolt,	2	B.A.	...	...	...	...	...	...
28D/1007982	AS.1248/1/C	Bolt,	2	B.A.	...	...	...	...	...	...
28D/9354	AS.1248/6C	Bolt,	2	B.A.	...	...	...	...	...	...
28D/8345	AS.1248/7/C	Bolt,	2	B.A.	...	...	...	...	...	...
28D/13666	AS.1248/25/C	Bolt,	2	B.A.	...	...	...	...	...	...
28D/9560	AS.1248/25/E	Bolt,	1/4"	B.S.F.	...	...	...	...	...	...
28M/9403519	A27.B.P.	Nut,	4	B.A.	...	...	...	...	...	...
28M/9419520	A27.C.P.	Nut,	2	B.A.	...	...	...	...	...	...
28M/1006473	A27.C.T.	Nut,	2	B.A.	...	...	...	...	...	...
28M/10288	AGS.2001/C/1	Nut,	stiff,	2	B.A.	...	...	...	...	...
28M/10327	AGS.2002/B/1	Nut,	4	B.A.	...	...	...	...	...	...
28M/10328	AGS.2002/C/1	Nut,	stik,	2	B.A.	...	...	...	...	...
28M/10330	AGS.2002/E/1	Nut,	stiff,	1/4"	B.S.F.	...	...	...	...	...
28M/9435066	AGS.2008/A/1	Nut,	anchor,	6	B.A.	...	...	...	...	...
28M/9435068	AGS.2008/E/1	Nut,	anchor,	1/4"	B.S.F.	...	...	...	...	...
28M/9993192	AGS.2009/C/1	Nut,	stiff,	2	B.A.	...	...	...	...	...
28P/813	SP.4.Y.A3	Pin	...	...	...	...	...	...	...	...
28P/828	SP.4.Y.B2	Pin	...	...	...	...	...	...	...	...
28P/12486	SP.4.Z.B10	Pin	...	...	...	...	...	...	...	...
28P/19225	SP.90.C3	Pin, split	...	...	...	...	...	...	...	...
28P/19152	SP.90.C4	Pin, split	...	...	...	...	...	...	...	...
28P/19153	SP.90.C5	Pin, split	...	...	...	...	...	...	...	...
28P/16271	SP.113.C3	Pin	...	...	...	...	...	...	...	...
28P/16272	SP.113.C7 1/2	Pin	...	...	...	...	...	...	...	...
28S/1011491	A32.C24	Screw	...	...	...	...	...	...	...	...
28W/9419474	SP.15.B	Washer,	4	B.A.	...	...	...	...	...	...
28W/9419475	SP.15.C	Washer,	2	B.A.	...	...	...	...	...	...
28W/9419405	SP.15.E	Washer,	1/4"	B.S.F.	...	...	...	...	...	...
28W/9419486	SP.16.B	Washer,	4	B.A.	...	...	...	...	...	...
28W/9419404	SP.16.C	Washer,	2	B.A.	...	...	...	...	...	...
28W/11069	AGS.2035/C	Washer,	shakeproof	...	...	...	...	...	...	...

RESTRICTED

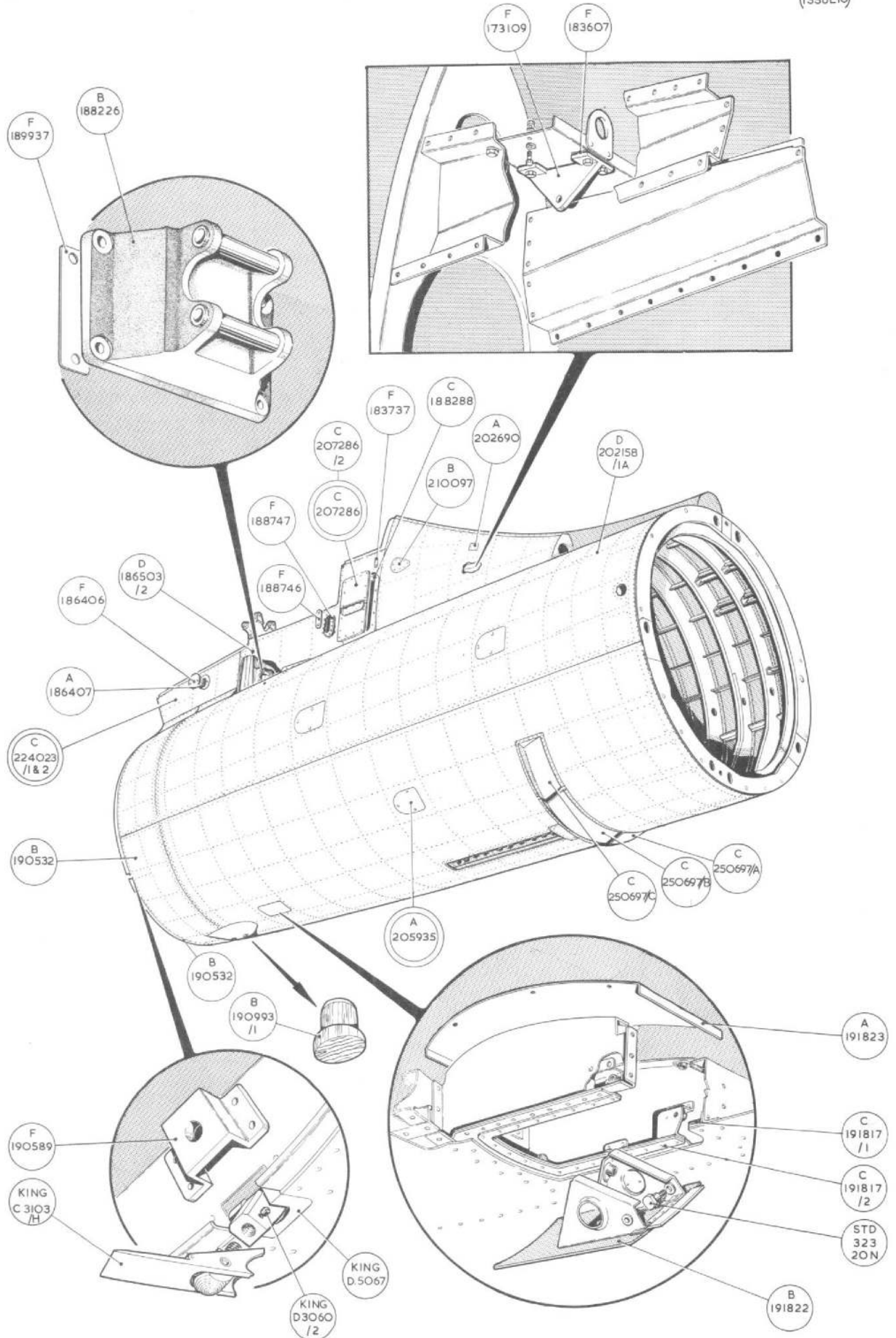
Ref. No.	Part No.	Description					No. Off	Material Specification	M.R. Class of Store	Plate No.
		1	2	3	4	5				



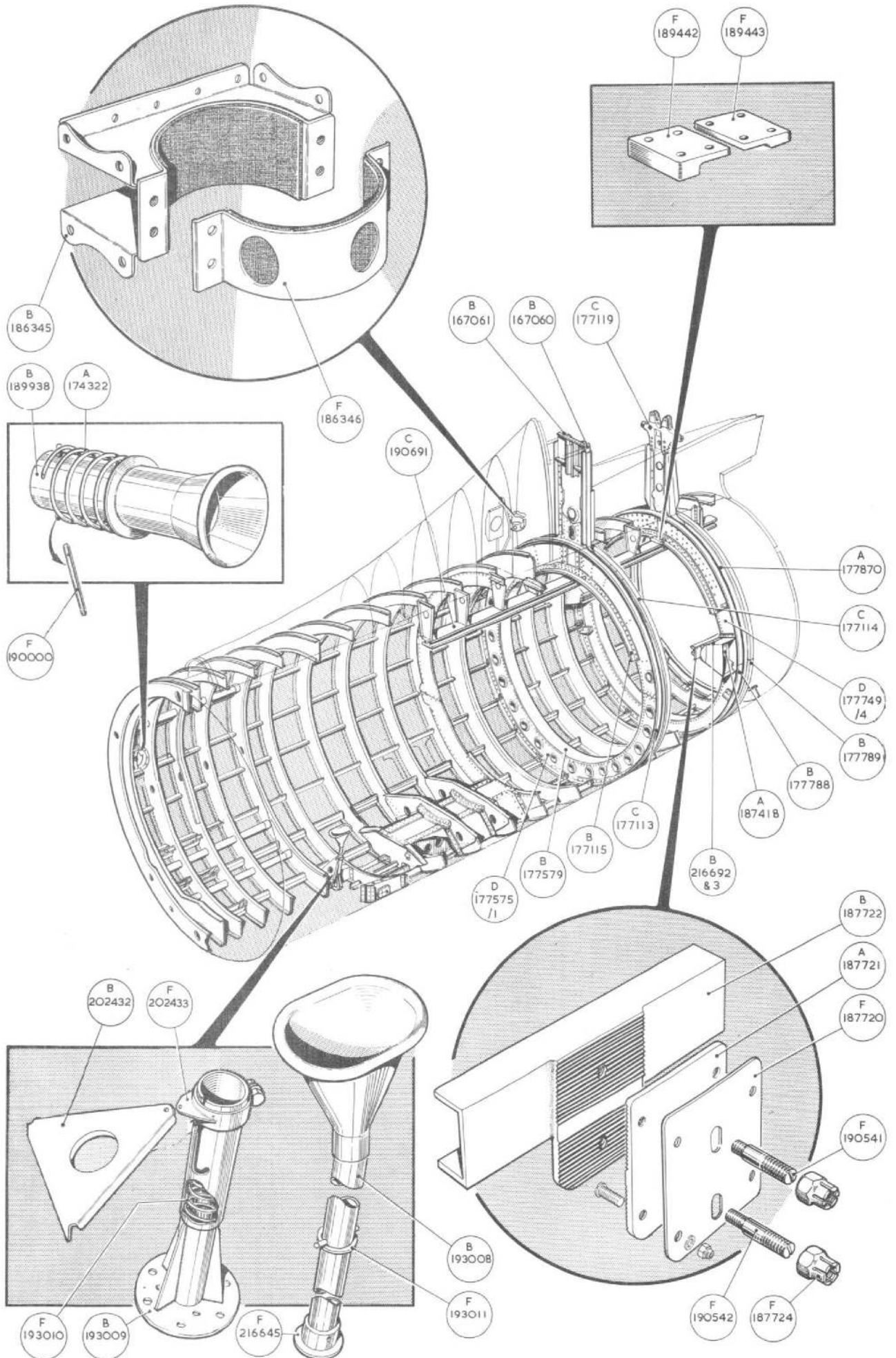






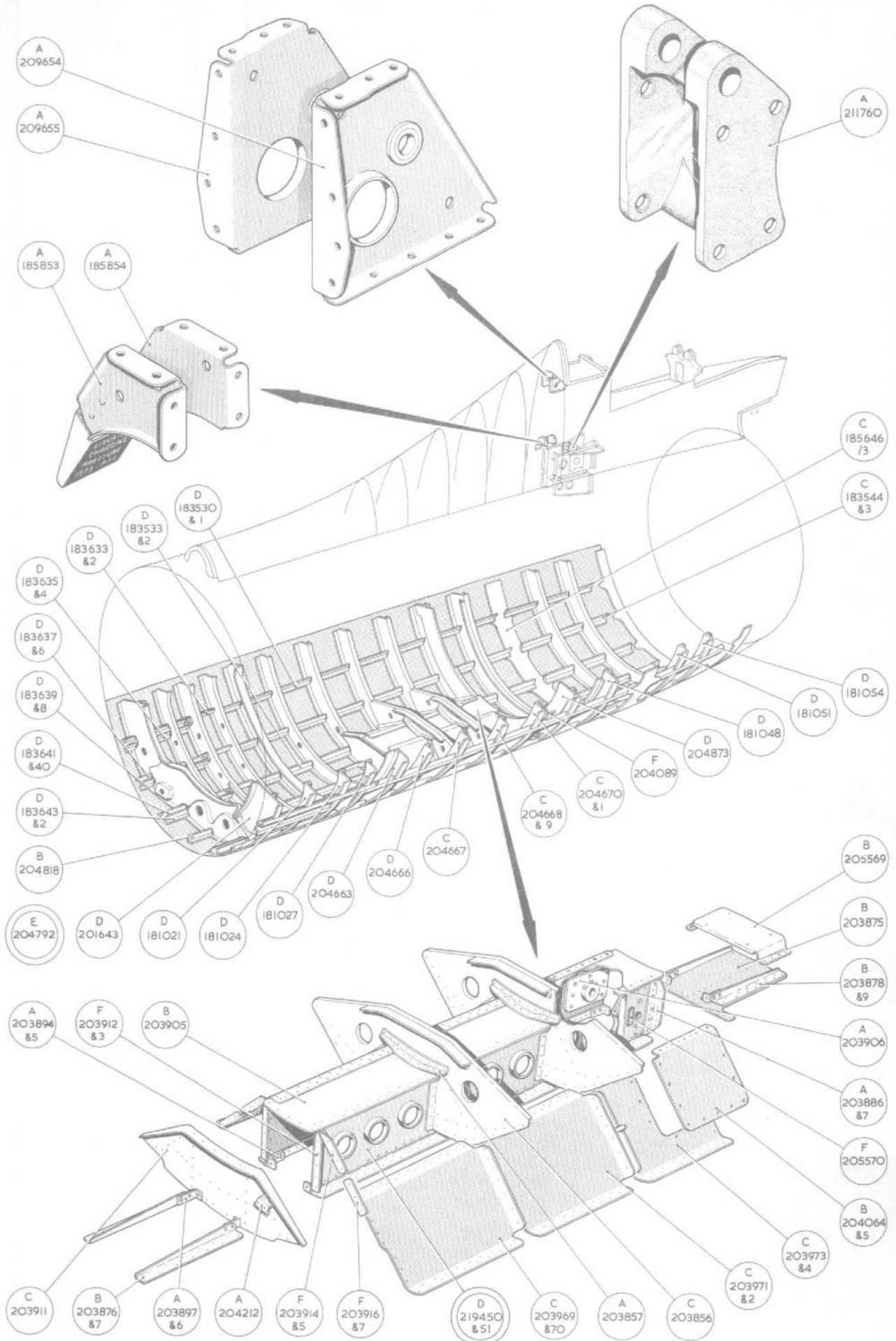




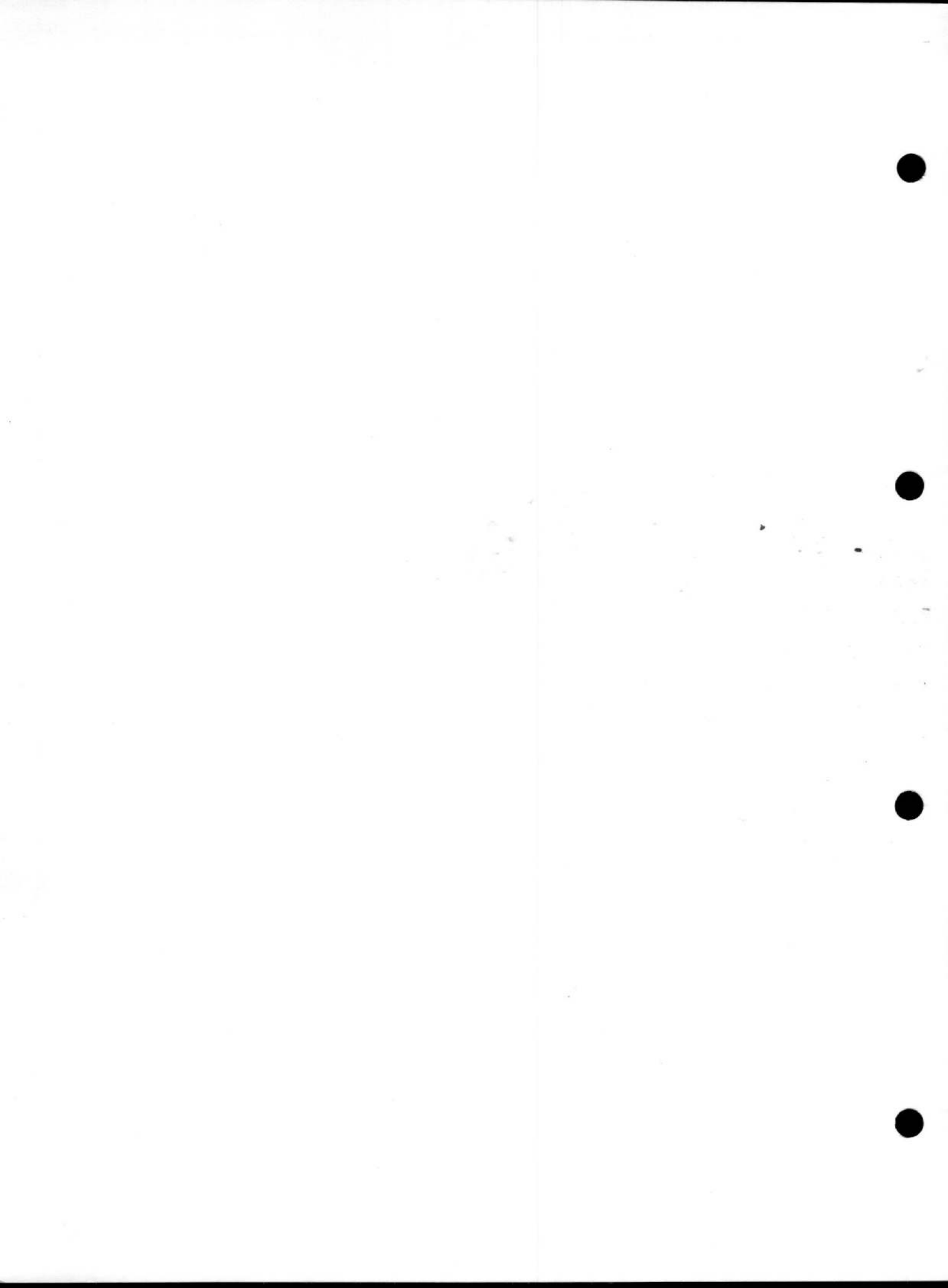


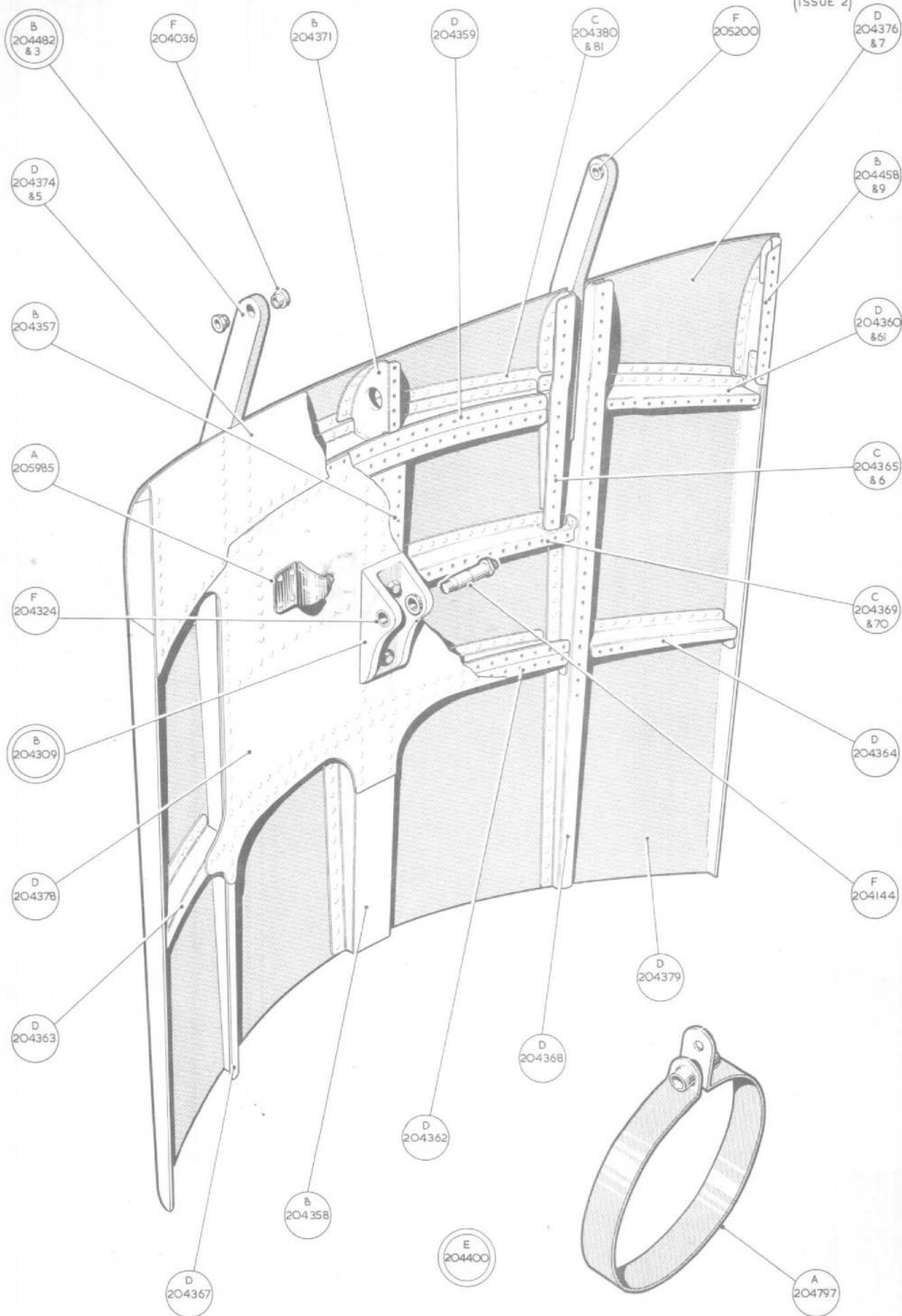
REAR FUSELAGE

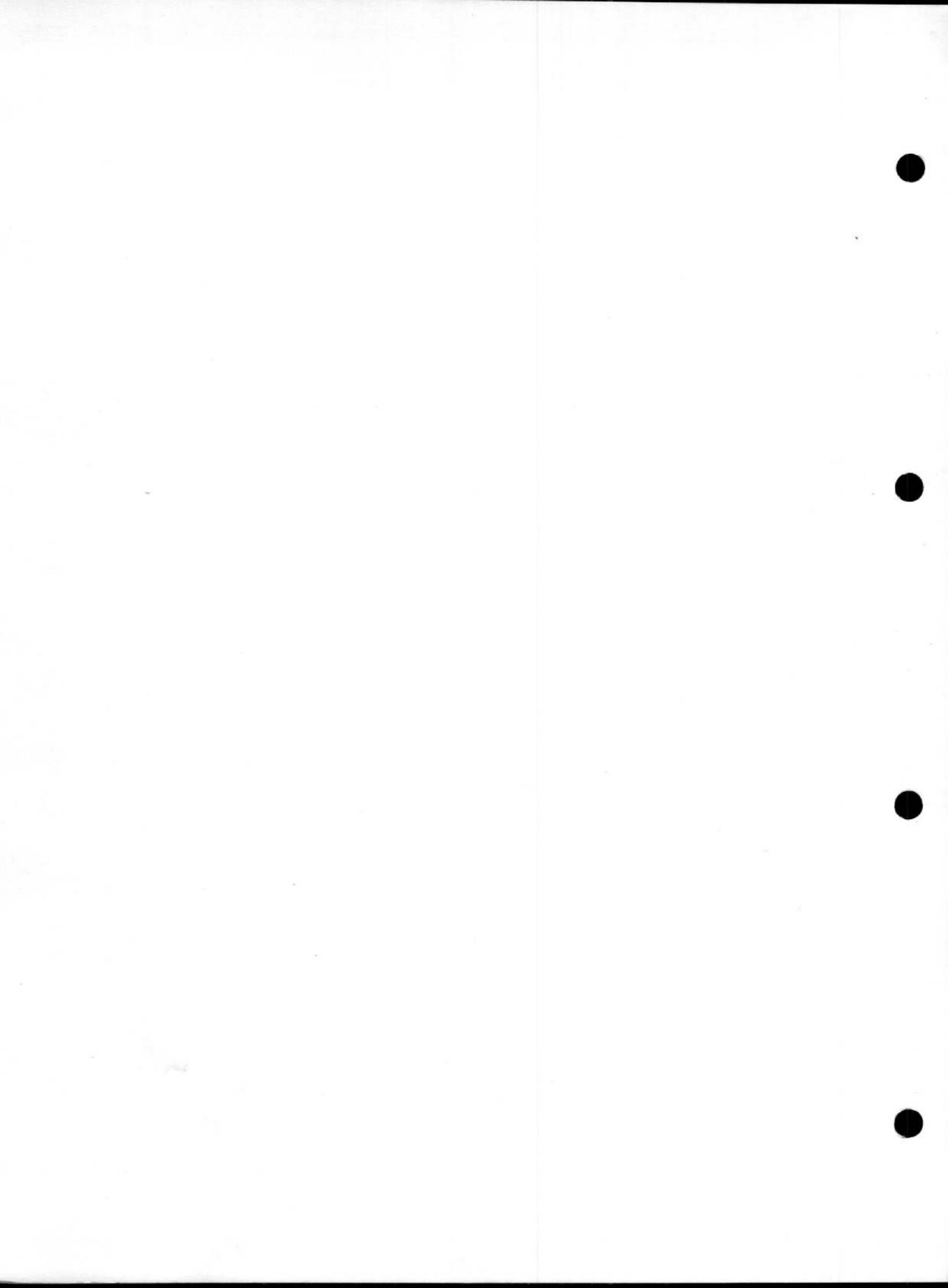


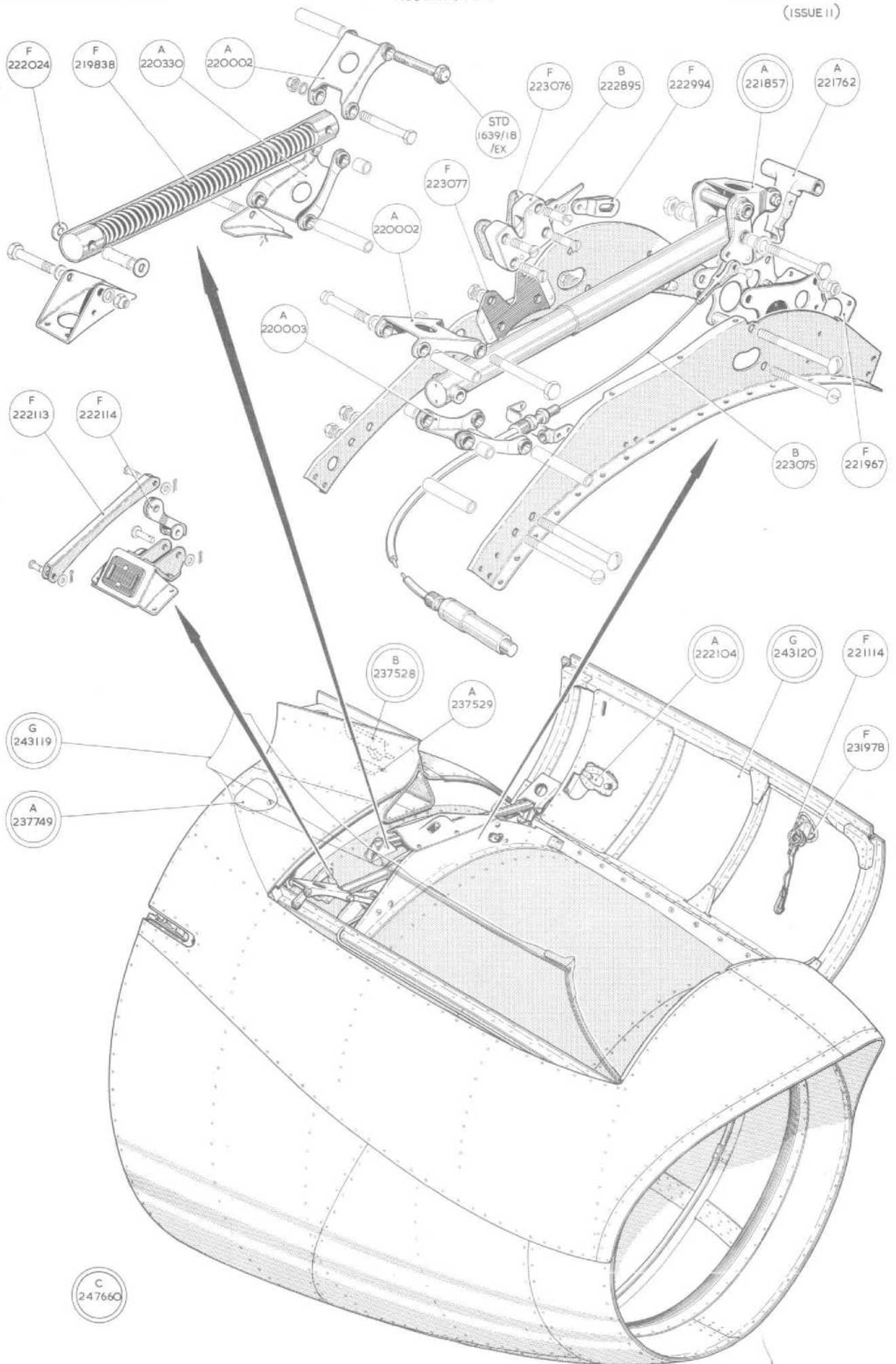


REAR FUSELAGE













This file was downloaded from the RTFM Library.

Link: [www.scottbouch.com/rtfm](http://www.scottbouch.com/rtfm)

Please see site for usage terms, and more aircraft documents.

