

FUSELAGE—HOOD LOCKING AND JETTISON GEAR

Ref. No.	Part No.	Description	No. Off	Material Specification	M.R. Class of Store	Plate No.
	E.219019	HOOD, LOCKING AND JETTISON GEAR, ASSEMBLY	—	—		
	A.229403	Angle , for Micro Switch mounting, at front centre lock	1	L.65.B		
8841	F.219535	Bearing , for link, at front centre lock (For use with bracket D219595, issue 1—4)	1	BSS.369	C.	JE.2
10219	F.235439	Bearing , for link at front centre lock (AS.840/77) (For use with brackets D.219595 Issue 5)	1	BSS.369	C.	
8843	F.212202	Bearing , special, at bell crank, aft of frame 6, for front centre lock control	1	BSS.369	C.	JE.2
8844	F.212203	Bearing , special, for control rod attachment to front centre lock	1	BSS.369	C.	JE.2
	F.212037	Bell-crank , aft of frame 6, for front centre lock control	1	Stamping		
8847	F.212223	Bolt , lubricating, at bell-crank, for front centre lock control	1	S.96.B	C.	
8849	F.210333	Bolt , special, attaching connecting rod to torque shaft lever assembly	2	S.96.B	C.	
8850	Std.323/42	Bolt , shoulder, for control rod attachment, forward lock	1	S.2	C.	4
8851	Std.323/46	Bolt , shoulder, at hood jettison release unit attachment	1	S.2	C.	4
5664	Std.1639/4/CX	Bolt , for front centre lock attachment...	1	S.95.B	C.	5
10220	F.235400	Bolt , special for hook sttachment to link, front centre lock (AS.840/77)	1	DTD.498	C.	
9757	F.229423	Bolt , for attachment of control rod to front centre lock	1	DTD.487	C.	JE.2
9758	Std.1697/3B	Bolt , for attachment of micro switch mounting, front centre lock	1	DTD.487	C.	
	Std. 1697/1B	Bolt , for attachment of standby compass mounting bracket	2	DTD.487		
10434	F.240792	Bolt , at front centre lock (AS.900/92)	1	—	C.	
	F.219966	Bracket , for front centre lock	1	DTD.498		JE.2
9850	A.229427	Bracket , mounting, for EB.2 standby compass ...	1	—	C.	JE.2
8854	F.211016	Bush , at hook attachment, front centre lock ...	1	BSS.369	C.	JE.2
11054	B.259996	Casing , hood locking gear and safety pin stowage, port, group (Mod. 1177)	1	—	B.	
10594	B.244900	Casing , hood locking gear, and safety pin stowage, port, group (Pre Mod. 1177)	1	—	B.	
10139	C.234840	Casing , hood locking Group (Mod. 803)	1	—	B.	JE.2
	F.213590	Angle	1	L.72		
	F.213601	Angle ,	1	L.72		
	F.213588	Bracket	1	L.72		
1327	Std.1547/24/12	Washer (AS.840/92)	2	L.72	C.	
11053	B.259992	Stowage , for seat safety pins, Port, group (Mod. 1177)	1	—	C.	
10596	B.241760	Stowage , for seat safety pins, port, group (Mod. 913)	1	—	C.	
	F.239978	Plate , label	1	L.72		
11055	B.259997	Casing , hood locking gear and safety pin stowage, starboard, group (Mod. 1177)	1	—	B.	
10595	B.244901	Casing , hood locking gear and safety pin stowage, starboard, group (Pre Mod. 1177)	1	—	B.	
10140	C.234841	Casing , hood locking group (Mod. 803)	1	—	B.	JE.2
	F.213591	Angle	1	L.72		
	F.213601	Angle	1	L.72		
	F.213589	Bracket	2	L.72		
1327	Std.1547/24/12	Washer (AS.840/92)	4	L.72	C.	
	B.259993	Stowage , for seat safety pins, starboard, group (Mod. 1177)	1	—		
10597	B.241761	Stowage , for seat safety pins, starboard, group (Pre Mod. 1177)	1	—	C.	
	A.259943	Plate , label (Mod. 1177)	1	—		
	F.239979	Plate , label (Pre Mod. 1177)	1	—		

FUSELAGE—HOOD LOCKING AND JETTISON GEAR

Ref. No.	Part No.	Description	No. Off	Material Specification	M.R. Class of Store	Plate No.
8857	B.221137	Control , between forward lock and bell-crank, frame 6, for front centre lock group Consisting of :—	1	—	B.	JE.2
27K/	Teleflex DS.377	Conduit , length (Hawker No. N.221137/1) ...	1	—	C.	
27K/	Teleflex DS.377	Conduit , length (Hawker Pt. No. B.221137/2) ...	1	—	C.	
27K/	Teleflex B.44665	Connector , No. 4, assembly ...	1	—	C.	
	F.221138	Fork-end	1	S.96.B		
28K/6187	SP.7.YE	Fork-end	1	—	C.	
28K/	SP.7.ZE	Fork-end (Alternative to SP.7.YE)	1	—	C.	
28M/12931	A.27.ET	Nut , lock	2	—	C.	
27K/	Teleflex C.44637/ 56"/C.44637	Rod and cable , assembly	1	—	C.	
27K/	Teleflex C.44661	Swivel , No. 4, assembly	2	—	C.	
	D.218777	DETAILS OF HOOD LOCKING AND JETTISON GEAR, ASSEMBLY	—	—		
9978	F.232125	Adaptor , lubricating (Mod. 816)	2	BSS.251	C.	JE.3
9979	F.233564	Angle , securing stem (Make from Std. 1338) (Mod. 816)	2	L.40	C.	JE.3
8843	F.212202	Bearing , for jack release lever	1	BSS.369	C.	JE.2
8844	F.212203	Bearing , for jack release lever	1	BSS.369	C.	
	Std.1988/42	Bolt , shouldered	2	—		
	Std.1988/62	Bolt , shouldered	2	—		
8858	F.213495	Bolt , greaser, attaching latch to support brackets	2	S.95.B	C.	JE.2
9980	F.233563	Block , stem attachment (Mod. 816)	2	L.65	C.	JE.3
9981	F.233562	Clip , securing stem (Mod. 816)	2	L.72	C.	JE.3
8859	A.210150	Latch , at forward hood attachment, group ...	2	S.95.B or S.96.B	C.	JE.2
	F.210151	Bush	2	BSS.369		JE.2
8860	F.212719	Lever , jack release	1	Stamping	C.	JE.3
8861	F.212720	Lever , jack release	1	Stamping	C.	JE.3
8862	F.212750	Lever , jack release	1	Stamping	C.	JE.3
8863	F.213494	Piece , distance, for latch	2	S.95.B	C.	JE.2
8864	Std.499/1	Plate , locking	1	L.3	C.	
8865	A.218069	Rod , connecting, between hood jettison shaft and jack release levers, group	1	—	C.	JE.2
8866	A.218129	Rod , connecting, between hood jettison shaft and larch, group	2	—	C.	JE.2
	F.212721	Shaft , for release jack levers... ..	1	T.45		JE.3
4117	Std.1283/G	Shim , at torque shaft mounting	8	Laminum	C.	4
9982	A.232126	Stem , lubricating, group (Consisting of :—	2	—	C.	JE.3
28N/9796	SP.21	Nipple , lubricator	2	—	C.	
	A.232126/1	Stem	2	S.1.B		
—	Std.1507/24/100	Tube , distance, at jack release lever, $\frac{3}{8}$ " o/d x 17 s.w.g. x 1" long (Make from 30A/1469)	1	T.26	—	
9983	Std.1335/F/16	Washer , at adaptor (Mod. 816)	2	L.34	C.	
	E.218993	HOOD, JETTISON GEAR, ASSEMBLY	—	—		
8867	F.214136	Block , clamp, securing gas pipe between firing unit and jettison gun	2	LFS.21	C.	JE.1
8868	F.214137	Block , clamp, securing gas pipe between firing unit and jettison gun	2	LFS.2	C.	JE.1
1935	F.196363	Bush , for emergency release cable	1	Rubber	C.	
8870	A.213166	Cable , control, hood release, group Consisting of :—	1	—	B.	JE.1
	Std.1920	Adjuster	2	—		
	A.213166/1	Cable , 5 cwt.	1	W.11		
29H/	Bowdenix T.3	Conduit , size T3, 34.7" long (A.213166/2) ...	1	—	C.	
28U/15288	SP.38.A	Fork-end	2	—	C.	

Hunter T. Mk. 7
 Issued with A/L No. 10

FUSELAGE-HOOD LOCKING AND JETTISON GEAR

Ref No.	Part No.	Description					No. Off	Material Specification	M.R. Class of Store	Plate No.
		1	2	3	4	5				
8871	A.213076	Cable, control, for hood external release, group					1	—	B.	JE.1
		Consisting of:—								
	Std.1920	Adjuster					1	—		
	A.213076/1	Cable, 4 cwt.					1	W.11		
	F.213077	Collet					1	L.65.C		
29H/ 28U/15288	Bowdenix T.3 SP.38A	Conduit, size T.3. 29" long (A.213076/2)					1	—	C.	
	Std.1920/2	Fork-end					1	—	C.	
		Sleeve, outer					1	—		
12K/1291	Martin Baker MBCJ/381	Cartridge, jettison					1	—	C.	
	Std.2045/17/26	Clip, sleeved					3	—		
	Std.2046/17/26	Clip, sleeved					1	—		
	Std.2046/25/24	Clip, sleeved					4	—		
	C.213112	Cross-shaft, for jettison gun, group					1	—		
	B.212980	Bracket, bearing, port, group					1	—		JE.1
	F.212982	Bush					1	BSS.369		JE.1
	B.212981	Bracket, bearing, starboard, group					1	—		JE.1
	F.212982	Bush					1	BSS.369		JE.1
	A.213103	Bracket, bearing, group					1	—		JE.1
	F.213104	Bush					1	BSS.369		JE.1
	Std.165/4	Ferrule, securing lever					8	S.2		
	A.212996	Lever					2	Stamping		JE.1
	F.212995	Lever					1	S.3 & T.26		JE.1
	A.213099	Lever, for control cable					1	Stamping		JE.1
	A.214342	Lever, for release unit					1	Stamping		JE.1
—	Std.1510/2/087	Tube, distance, 1/4" o/d x 22 s.w.g. .87" long (Make from 30B/1780)					2	L.62	—	
—	Std.1507/2/010	Tube, distance, 1/4" o/d x 22 s.w.g. x 1" long (Make from 30A/965)					2	T.26	—	
	C.213280	DETAILS OF HOOD JETTISON GEAR, ASSEMBLY					—	—		
	F.214337	Bracket, bearing, for cross-shaft					2	—		JE.1
	F.214339	Bush, spherical, at link operating hood jettison release unit					2	BSS.369		JE.1
	A.219015	Cross-shaft, at flying control casing, group					1	—		JE.1
	A.221340	Lever					1	Stamping		
—	Std.1509/2/063	Tube, distance, 1/4" o/d x 22 s.w.g. x .62" long (Make from 30B/1780)					1	L.62	—	
	F.213078	Lever, for hood de-sealing valve control					1	—		JE.1
	F.214336	Lever, operating, at release unit					1	L.65.C		JE.1
	F.213050	Lever, for hood de-sealing valve control					1	S.3 & T.26		JE.1
—	F.212424	Link, attaching cable, at release unit (Make from 30B/1726)					1	L.72	—	
	F.214338	Link, operating, for hood jettison release unit					1	L.65.C		
27L/2177	Martin Baker MBEU/18553	Pin, safety, for canopy (Mod. 913)					1	—	C.	
28FP/825	A.405	Pin, pip					1	—	C.	
	A.213058	Rod, control, for hood de-sealing valve					1	—		JE.1
	F.213095	Rod, control, between cross shaft and control rod operating de-sealing valve					1	L.65.C		JE.1
10050	F.215738	Rod, connecting, between firing unit and cross-shaft lever, group					1	—	B.	JE.1
362	F.187712	Fork-end					2	S.95.B	C.	JE.1
27QA/370	Dowty GD.1309/7	Seal, "O" ring					1	—	C.	JE.1
	Std.1507/2/010	Tube, distance, 1/4" o/d x 22 s.w.g. x .1" long (Make from 30A/965)					1	T.26	—	
—	Std.1509/2/062	Tube, distance, 1/4" o/d x 22 s.w.g. x .62" long (Make from 30A/965)					1	T.26	—	4

FUSELAGE—HOOD LOCKING AND JETTISON GEAR

Ref. No.	Part No.	Description					No. Off	Material Specification	M.R. Class of Store	Plate No.
		1	2	3	4	5				
—	Std.1507/3/020						1	T.26	—	
—	Std.1507/23/008						4	T.26	—	
28L/5056	Martin Baker B/MBCJ/191						1	—	A.	
3763	Std.915/B/24						4	DTD.364	C.	
5781	Std.915/E/20						1	DTD.364	C.	
8873	C.214166						1	L.59 or Plastic	C.	JE.1
	B.215031						—	—		
8875	B.215031/A						1	—	C.	JE.1
	A.215033						1	—		
	A.229562						1	L.72		
28Q/1650	AS.156/404						5	—	C.	
590	F.188534						1	Spr. Stl.	C.	JE.1
27L/5053	Martin Baker MBCJ/174						2	—	A.	
27L/5054	Martin Baker MBCJ/186						1	—	B.	
27L/5055	Martin Baker MBCJ/187						1	—	B.	
9667	F.226850						1	—		
8876	F.136453						1	Spring Wire	C.	JE.1
4162	Std.915/B/22						2	DTD.610	C.	
7169	Std.915/C/18						1	DTD.610	MR/C	4
912	F.176949						1	Perspex	C.	JE.1
	Std.1507/23/050						1	T.26		
	A.210978						1	Stamping		JE.2
10212	B.235482						1	—	B.	JE.2
10213	B.235483						1	—	B.	JE.2
8848	F.210332						1	S.99.B	C.	JE.2
	F.220562						1	—		JE.2
	F.209861						1	S.80.B	M.R.	JE.2
9985	B.235382						1	—	B.	JE.2
9986	B.235383						2	—	B.	JE.2
8848	F.210332						1	S.96.B	C.	JE.2
	F.220562						1	—		JE.2
	F.209861						1	S.80.B		JE.3
	A.211698						1	—		
	A.210165						1	—		JE.3
	F.210167						1	BSS.369		JE.3
	A.210163						1	L.65.C		JE.3
	A.210269						1	Stamping	M.R.	JE.3
27QA/374	Dowty GD.1309/14						1	—	C.	JE.3
	A.211699						1	—		
	A.210165						1	—		JE.3
	F.210167						1	BSS.369		JE.3
	A.210163						1	L.65.C		JE.3
	A.210270						1	Stamping		JE.3
27QA/374	Dowty GD.1r09/14						1	—	C.	JE.3

Hunter T. Mk. 7
Issued with A/L No. 6

FUSELAGE-HOOD LOCKING AND JETTISON GEAR

Ref. No.	Part No.	Description					No. Off	Material Specification	M.R. Class of Store	Plate No.
		1	2	3	4	5				
10166	C.218120	Levers, hood jettison, group	1	—	B.	JE.3
	B.210173	Block, bearing, group	1	Stamping		JE.3
	F.210009	Bush	2	BSS.369		JE.3
	A.210122	Bracket, bearing, group	1	L.56.C		JE.3
	F.210123	Bush	1	BSS.369		JE.3
	B.218109	Lever, group	1	—		JE.3
	F.212661	Bush	1	BSS.369		JE.3
	Std.608/7	Bush	1	B.8		JE.3
	A.218058	Lever, group	1	—		JE.3
	Std.608/7	Bush	1	B.8		JE.3
	A.210174	Lever, group	1	Stamping		JE.3
	Std.608/7	Bush	1	B.8		JE.3
	F.212718	Lever	1	Stamping		JE.3
27QA/375	Dowty	Seal, "O" ring	2	—	C	JE.3
	GD.1309/15									
	F.218057	Shaft	1	—		
3804	Std.1510/2/068	Tube, distance	1	—	MR/C	
	F.228638	Lever, micro switch operating, at front centre lock	1	—		JE.2
9760	F.229422	Lever, at centre lock (A.3770/19)	1	—	C.	JE.2
	A.210209	Link, for rear lock, group	2	Stamping		JE.2
	F.210259	Bearing	1	BSS.369		JE.2
	F.210261	Bearing	2	BSS.369		JE.2
8881	F.213315	Link, for forward and rear lock, group	4	Stamping	C.	JE.2
	F.210258	Bearing	1	BSS.369		JE.2
8882	F.210211	Link, for forward lock, port, group	1	S.96.B	C.	JE.2
	F.210259	Bearing	1	BSS.369		JE.2
	F.210261	Bearing	2	BSS.369		JE.2
8883	F.210461	Link, for forward lock, starboard, group	1	S.96.B	C.	JE.2
	F.210259	Bearing	1	BSS.369		JE.2
	F.210261	Bearing	2	BSS.369		JE.2
8884	F.210966	Link, at front centre lock	1	DTD.498	C.	JE.2
8885	F.213285	Link, at front centre lock	1	DTD.498 Sect. 111	C.	JE.2
	A.219534	Mounting, for front centre lock	1	Stamping		
	F.232070	Packing, at bearing blocks	4	L.72		
9761	F.229424	Pin, special for lever at centre lock	1	DTD.487	C.	
	B.221236	PIPES, DRAIN, AT HOOD LOCKS, ASSEMBLY					—	—		
	B.221236/1	Hose, drain pipe to outlet pipe, front, $\frac{3}{16}$ " o/d \times $\frac{1}{4}$ " i/d \times 3" long	4	Rubber		JE.2
8886	F.210402	Rod, connecting, between torque shaft and rear lock, group	2	—	C.	JE.2
	F.210067	Bush, spherical	2	BSS.369		JE.2
	F.210403	Eye-end, screwed	1	S.96.B		JE.2
8887	A.210041	Rod, connecting, between forward and rear lock, group	2	—	C.	JE.2
	F.210067	Bush, spherical	2	BSS.369		JE.2
	F.210062	Eye-end, screwed	1	S.96.B		JE.2
8888	A.211173	Rod, connecting, between bell-crank, frame 6, and front centre lock group	1	—	C.	JE.2
	F.211174	Fork-end, adjustable	1	DTD.498 Sect. 111		
8890	F.209864	Shim, at bearing block, for forward and rear locks...	4	Laminated Brass	C.	JE.2
8891	F.211139	Shim, at trunnion attachment, forward and rear lock	4	Laminated Alum.	C.	JE.2
8892	F.219967	Shim, for front centre lock mounting	QR	Laminated Brass	C.	JE.2
8893	F.219760	Shim, for front centre lock mounting	QR	Laminated Brass	C.	JE.2

FUSELAGE-HOOD LOCKING AND JETTISON GEAR

Ref. No.	Part No.	Description					No. Off	Material Specification	M.R. Class of Store	Plate No.
		1	2	3	4	5				
8894	F.219968	Shim, for bracket, front centre lock	QR	Laminated Brass	C.	JE.2	
8895	F.216574	Shim, for front centre lock mounting	QR	Laminated Brass	C.	JE.2	
10044	F.227545	Shim, at torque-shaft, assembly	2	—	C.		
	F.231519	Stop, at front centre lock	1	L.65.C		JE.2	
	B.210168	Torque-shaft, group	1	—		JE.3	
	A.210170	Block, bearing, group	1	—		JE.3	
	F.210171	Bush	2	BSS.369		JE.3	
	Std.165/4	Ferrule	16	—		4	
	A.210169	Lever, group	1	L.65.C		JE.3	
	F.212662	Bush	2	BSS.369		JE.3	
	A.212001	Lever	1	S.3 & S.1		JE.3	
	A.234642	Lever (Mod. 813)	1	—			
	Std.1510/24/125	Tube, distance, $\frac{3}{8}$ " o/d \times 17 s.w.g. \times 1.25" long (Make from 30B/558)	4	T.4	—		
	Std.1510/24/144	Tube, distance, $\frac{3}{8}$ " o/d \times 17 s.w.g. \times 1.44" long (Make from 30B/558)	4	T.4	—		
10447	F.211138	Trunnion, at forward and rear lock	4	S.99.B	C.	JE.2	
8896	B.212214	Unit, release, group	1	—	A.	JE.3	
897	F.189118	Bolt, special	2	S.95.B	C.	JE.3	
898	A.127278	Bolt, special	2	S.1	C.	JE.3	
899	F.189074	Bolt, special	2	S.95.B	C.	JE.3	
	F.212258	Bolt, special	2	S.95.B		JE.3	
	F.212257	Bearing	1	S.96.B		JE.3	
	F.228234	Bearing	1	S.1		JE.3	
2A/9500491	B.S.I. S.F.E. $\frac{3}{8}$ "	Bearing	1	—	B.		
	A.189071	Casing	1	—			
900	F.189069	Coupling	2	S.96.B	C.	JE.3	
	F.212237	Eye-end,	2	S.95.B		JE.3	
	F.229583	Label, for checking of switches	1	—			
	A.215725	Lever, group	1	—		JE.3	
	F.215726	Handle	1	L.65.C		JE.3	
904	A.126610	Nut, special	1	S.20	C.	JE.3	
	A.127030	Packing	1	L.1			
906	F.189067	Plug	1	DTD.364	C.	JE.3	
	A.215724	Plug, slotted	1	S.1		JE.3	
907	F.169854	Plunger	1	DTD.364	C.	JE.3	
8182	F.210867	Rod	1	S.95.B	C.	JE.3	
909	F.189070	Sleeve	2	S.1	C.	JE.3	
	F.210655	Spool, bearing	1	L.65.C		JE.3	
	A.126828	Spring	1	DTD.239		JE.3	
	F.212423	Stud, special, for handle	1	S.96.B		JE.3	
910	A.127031	Washer	2	Rubber	C.	JE.3	
	F.232051	Washer, special at bearing blocks (AS.770/17)	16	—			

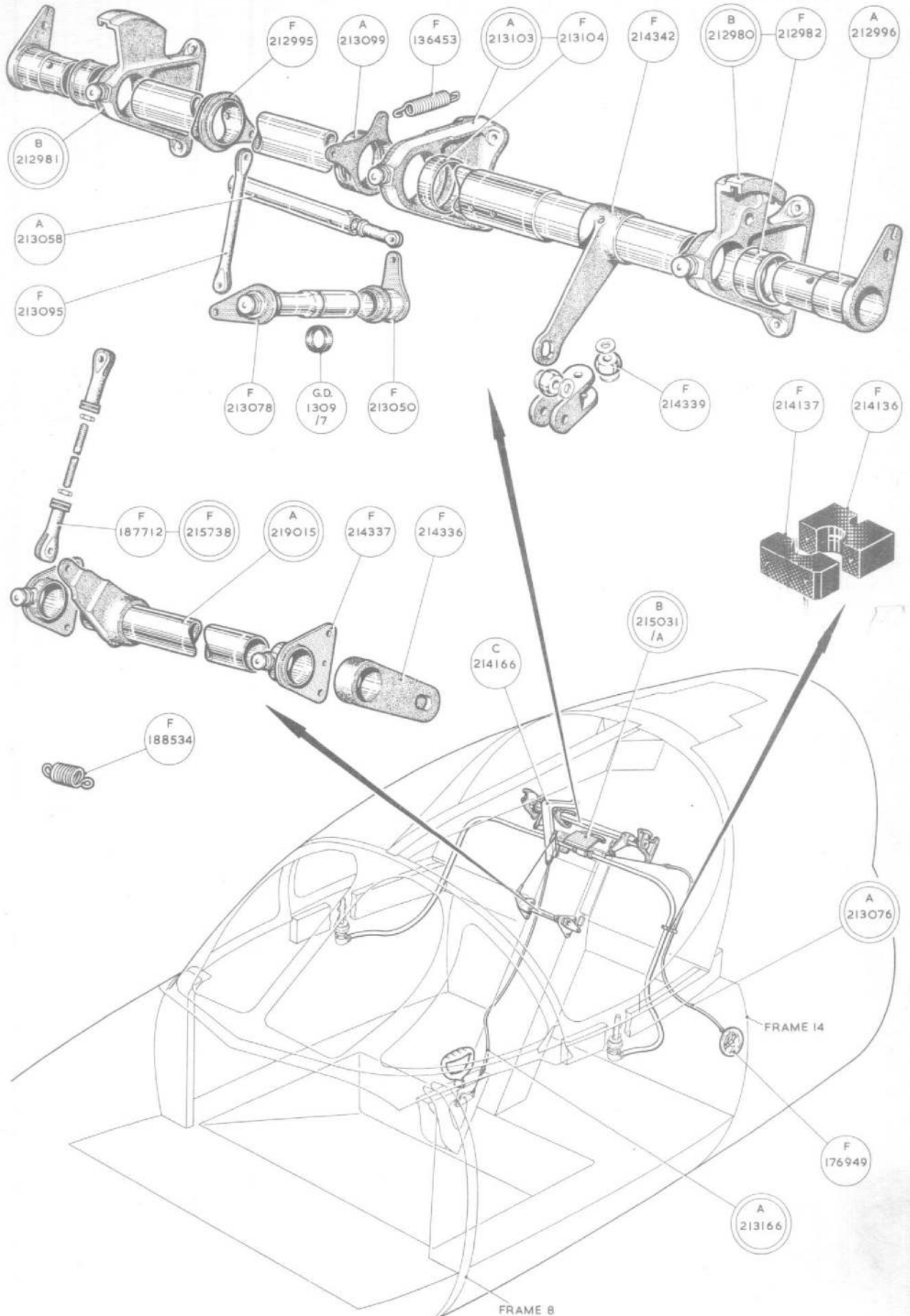
Hunter T. Mk. 7
 issued with A/L No. 10

FUSELAGE-HOOD LOCKING AND JETTISON GEAR

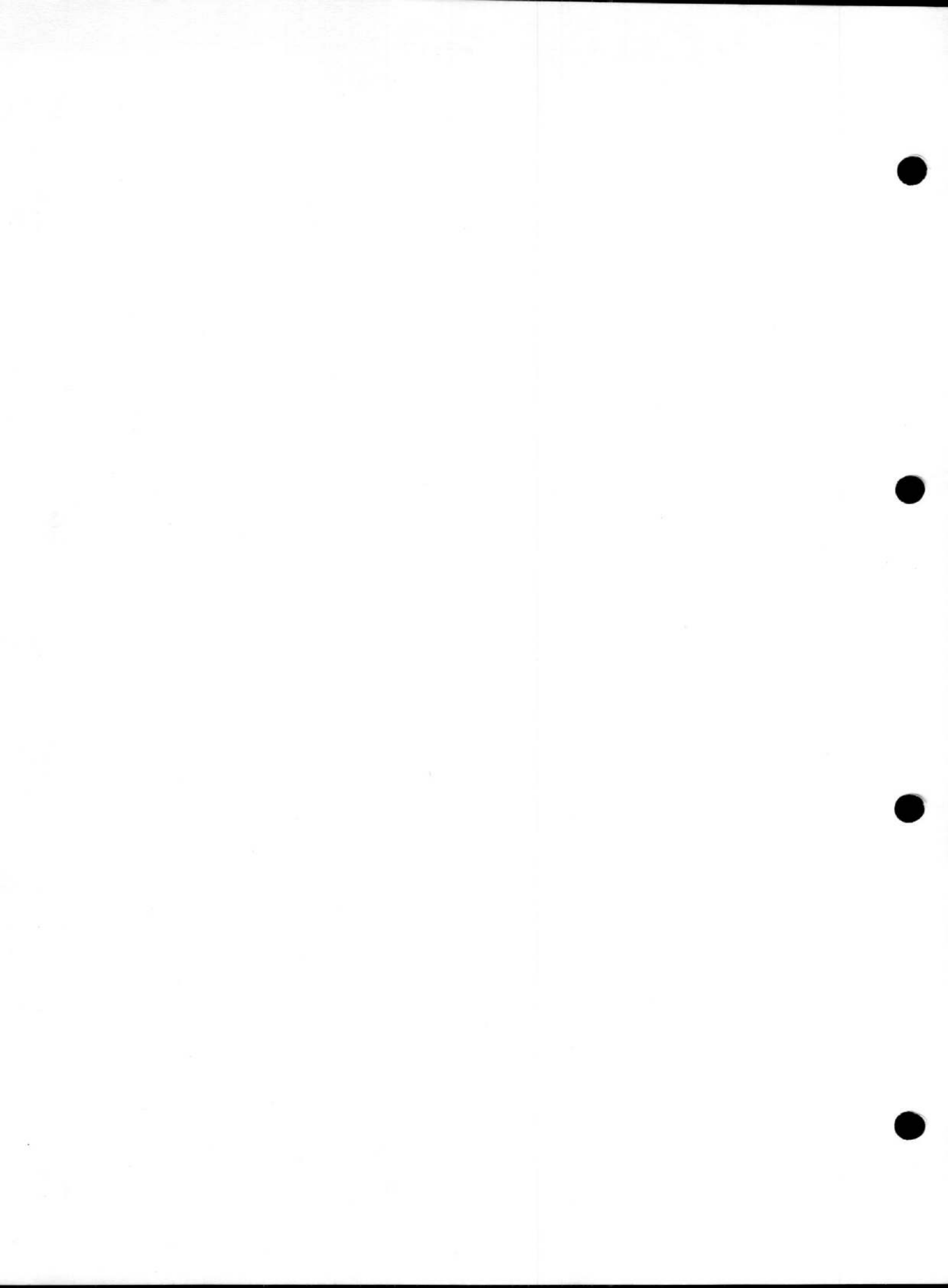
Ref No.	Part No.	Description					No. Off	Material Specification	M.R. Class of Store	Plate No.
		1	2	3	4	5				
SUMMARY OF STOCK ITEMS										
28D/1010658	A.25.1.B	Bolt,	4	B.A.
28D/1010029	A25.6.B	Bolt,	4	B.A.
28D/1011013	A25.13.B	Bolt,	4	B.A.
28D/9436920	A25.1.C	Bolt,	2	B.A.
28D/9133011	A25.2.C	Bolt,	2	B.A.
28D/9133012	A25.3.C	Bolt,	2	B.A.
28D/1200119	A25.4.C	Bolt,	2	B.A.
28D/12533	A25.5.C	Bolt,	2	B.A.
28D/7002428	A25.6.C	Bolt,	2	B.A.
28D/1010030	A25.7.C	Bolt,	2	B.A.
28D/1011019	A25.8.C	Bolt,	2	B.A.
28D/12534	A25.9.C	Bolt,	2	B.A.
28D/12515	A25.10.C	Bolt,	2	B.A.
28D/9419397	A25.12.C	Bolt,	2	B.A.
28D/12536	A25.13.C	Bolt,	2	B.A.
28D/12537	A25.14.C	Bolt,	2	B.A.
28D/9453970	A25.15.C	Bolt,	2	B.A.
28D/1011021	A25.16.C	Bolt,	2	B.A.
28D/1008145	A25.6.E	Bolt,	1/4"	B.S.F.
28D/1011247	A25.13E.	Bolt,	1/4"	B.S.F.
28D/13476	A30.4.C	Bolt,	2	B.A.
28D/13262	A30.6.E	Bolt,	1/4"	B.S.F.
28D/1007468	AS.1242.3.B	Bolt,	4	B.A.
28D/8307	AS.1242.2.C	Bolt,	2	B.A.
28D/8308	AS.1242.3.C	Bolt,	2	B.A.
28D/9918	AS.1248.4.B	Bolt,	4	B.A.
28D/1007982	AS.1248.1.C	Bolt,	2	B.A.
28D/9354	AS.1248.6.C	Bolt,	2	B.A.
28D/8345	AS.1248.7.C	Bolt,	2	B.A.
28D/15459	A57.4.E	Bolt,	1/8"	B.S.F.
28D/14526	A57.6.E	Bolt,	1/8"	B.S.F.
28D/14862	A57.8.E	Bolt,	1/8"	B.S.F.
28D/13953	A57.6.G	Bolt,	5/16"	B.S.F.
28D/13952	A57.8.G	Bolt,	5/16"	B.S.F.
28D/13789	AS.2930.1.B	Bolt,	countersunk, 4 B.A.	
28E/3319	AGS.606/B	Clip,	for hose	
28E/14147	AS.487/12	Clip
28U/16264	SP.37.A	Eye-end
28U/15288	SP.38.A	Fork-end
28N/9156370	SP.21	Nipple,	lubricating	
28M/5236	A14.E.B.	Nut,	1/4"	B.S.F.
28M/5238	A14.G.B	Nut,	5/16"	B.S.F.
28M/9403520	A27.C.P.	Nut,	2	B.A.
28M/1006473	A27.C.T.	Nut,	thin 2 B.A.	
28M/12931	A27.E.T.	Nut,	thin 1/4" B.S.F.	
28M/1011470	A27.G.T.	Nut,	thin 5/16" B.S.F.	
28M/13121	A27.C.S.	Nut,	slotted, 2 B.A.	
28M/1011467	A27.E.S.	Nut,	slotted, 1/4" B.S.F.	
28M/13122	A27.G.S.	Nut,	slotted, 5/16" B.S.F.	
28M/9995181	A53.B	Nut,	4	B.A.
28M/9129527	A53.C	Nut,	2	B.A.
28M/14534	A54.C	Nut,	2	B.A.
28M/12935	A58.E.S.	Nut,	slotted, 1/4" B.S.F.	

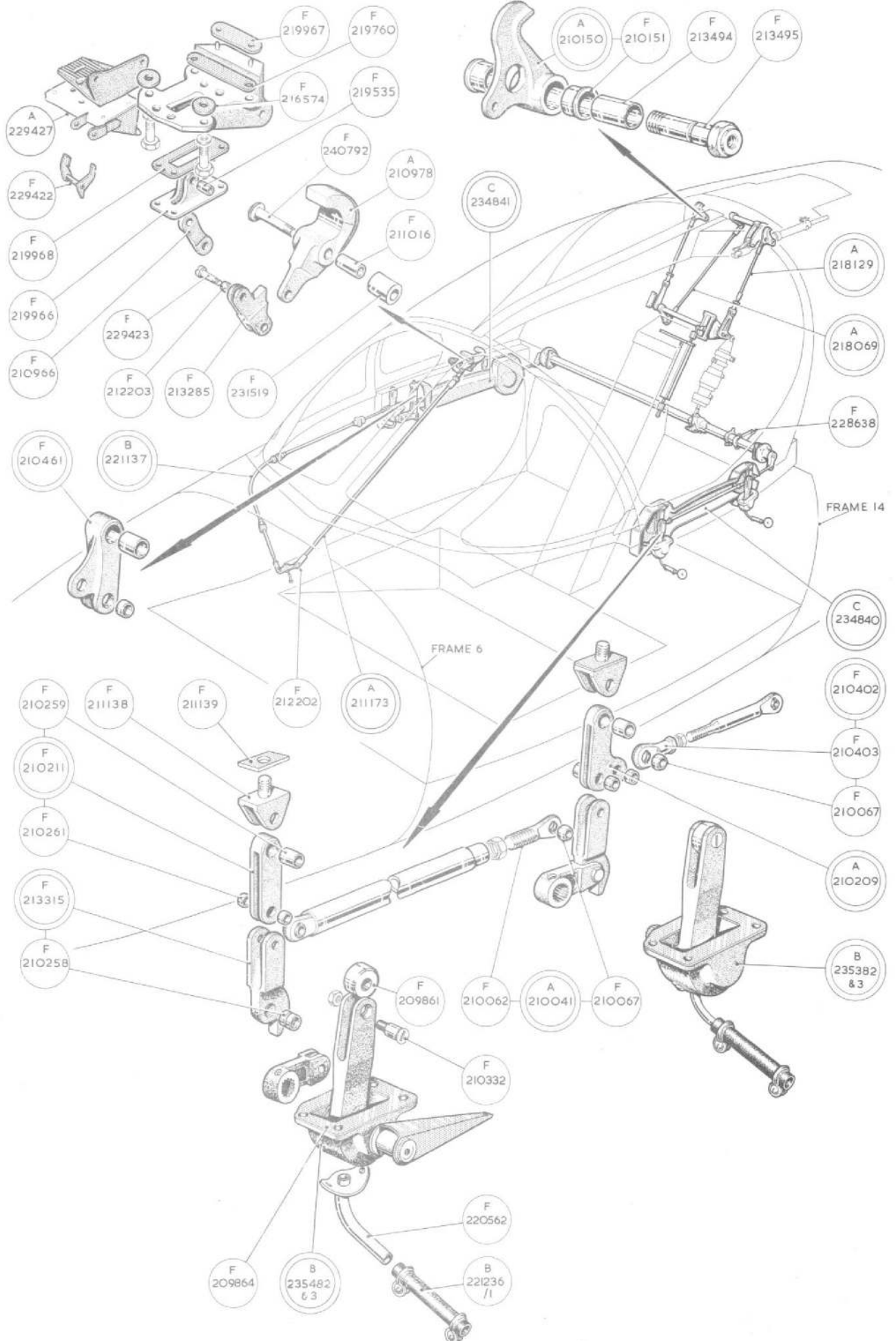
FUSELAGE—HOOD LOCKING AND JETTISON GEAR

Ref. No.	Part No.	Description					No. Off	Material Specification	M.R. Class of Store	Plate No.
		1	2	3	4	5				
28M/14537	A58.G.S.	Nut, slotted,	$\frac{5}{16}$ "	B.S.F.	—	—	—
28M/14833	A58.J.S.	Nut, slotted,	$\frac{3}{8}$ "	B.S.F.	—	—	—
28M/14440	A58.J.T.	Nut, thin,	$\frac{3}{8}$ "	B.S.F.	—	—	—
28M/10288	AGS.2001.C1	Nut, stiff,	2	B.A.	—	—	—
28M/10327	AGS.2002.B1	Nut, stiff,	4	B.A.	—	—	—
28M/10309	AGS.2002.B4	Nut, stiff,	4	B.A.	—	—	—
28M/10328	AGS.2002.C1	Nut, stiff,	2	B.A.	—	—	—
28P/19225	SP.90.C3	Pin, split	—	—	—
28P/19152	SP.90.C4	Pin, split	—	—	—
28P/19154	SP.90.C7	Pin, split	—	—	—
28P/812	SP.4.Y.A2	Pin	—	—	—
28P/813	SP.4.Y.A3	Pin	—	—	—
28P/863	SP.4.YD5	Pin	—	—	—
28R/13515	AS.104	Pulley	—	—	—
28D/13476	A30.4.C	Screw, 2	B.A.	—	—	—
28D/13262	A30.6.E	Screw, $\frac{1}{4}$ "	B.S.F.	—	—	—
28S/1200080	A32.B8	Screw, 4	B.A.	—	—	—
28W/9419474	SP.15.B	Washer, 4	B.A. dia.	—	—	—
28W/9419475	SP.15.C	Washer, 2	B.A. dia.	—	—	—
28W/9419405	SP.15.E	Washer, $\frac{1}{4}$ "	dia.	—	—	—
28W/9419476	SP.15.G	Washer, $\frac{5}{16}$ "	dia.	—	—	—
28W/9419486	SP.16.B	Washer, 4	B.A. dia.	—	—	—
28W/9419404	SP.16.C	Washer, 2	B.A. dia.	—	—	—
28W/9419489	SP.16.J	Washer, $\frac{3}{8}$ "	dia.	—	—	—
28W/9416642	SP.47.B	Washer, spring	—	—	—
28W/9416643	SP.47.C	Washer, spring, 2	B.A.	—	—	—
28W/9416644	SP.47.E	Washer, spring, $\frac{1}{4}$ "	dia.	—	—	—

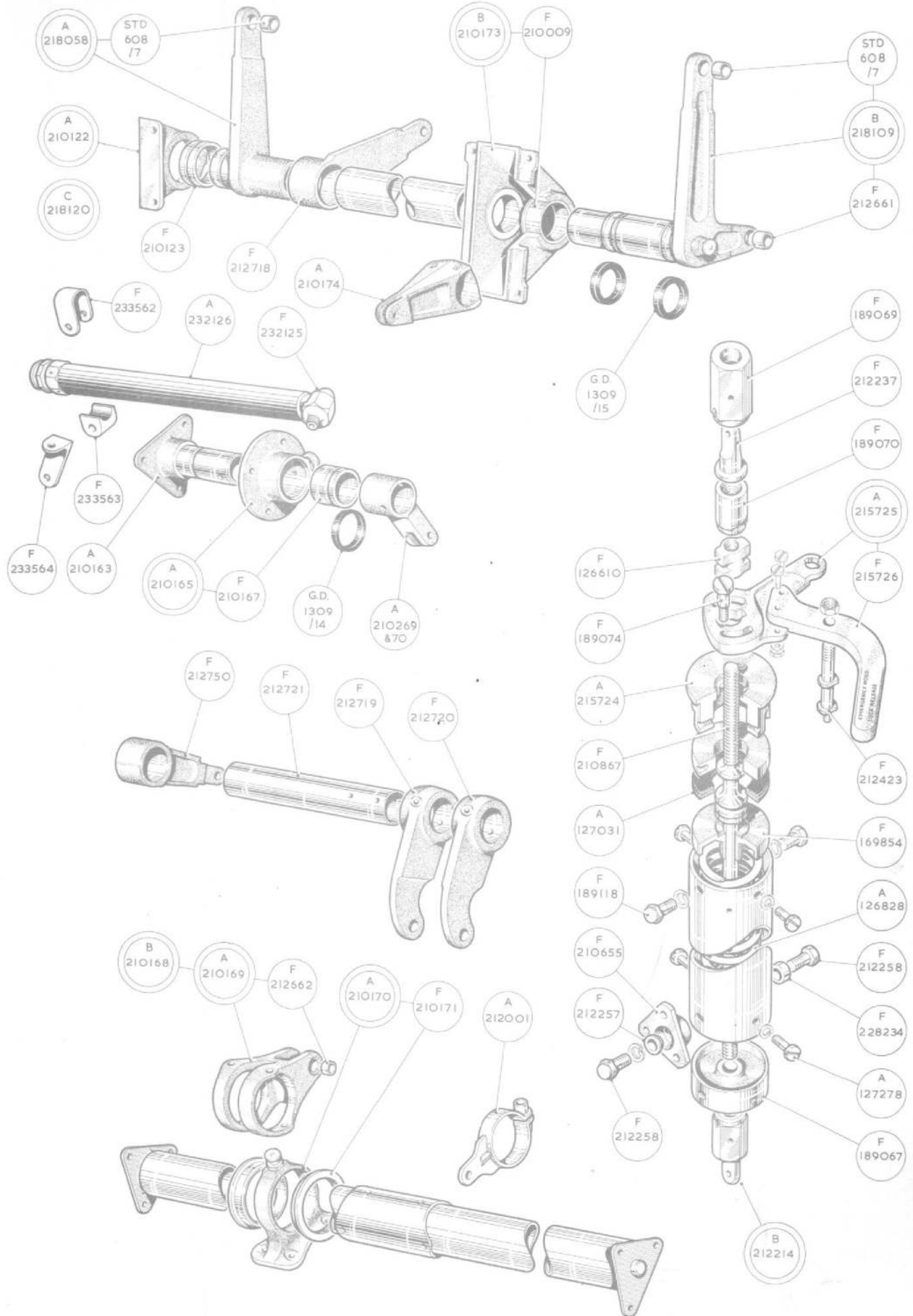


HOOD JETTISON GEAR

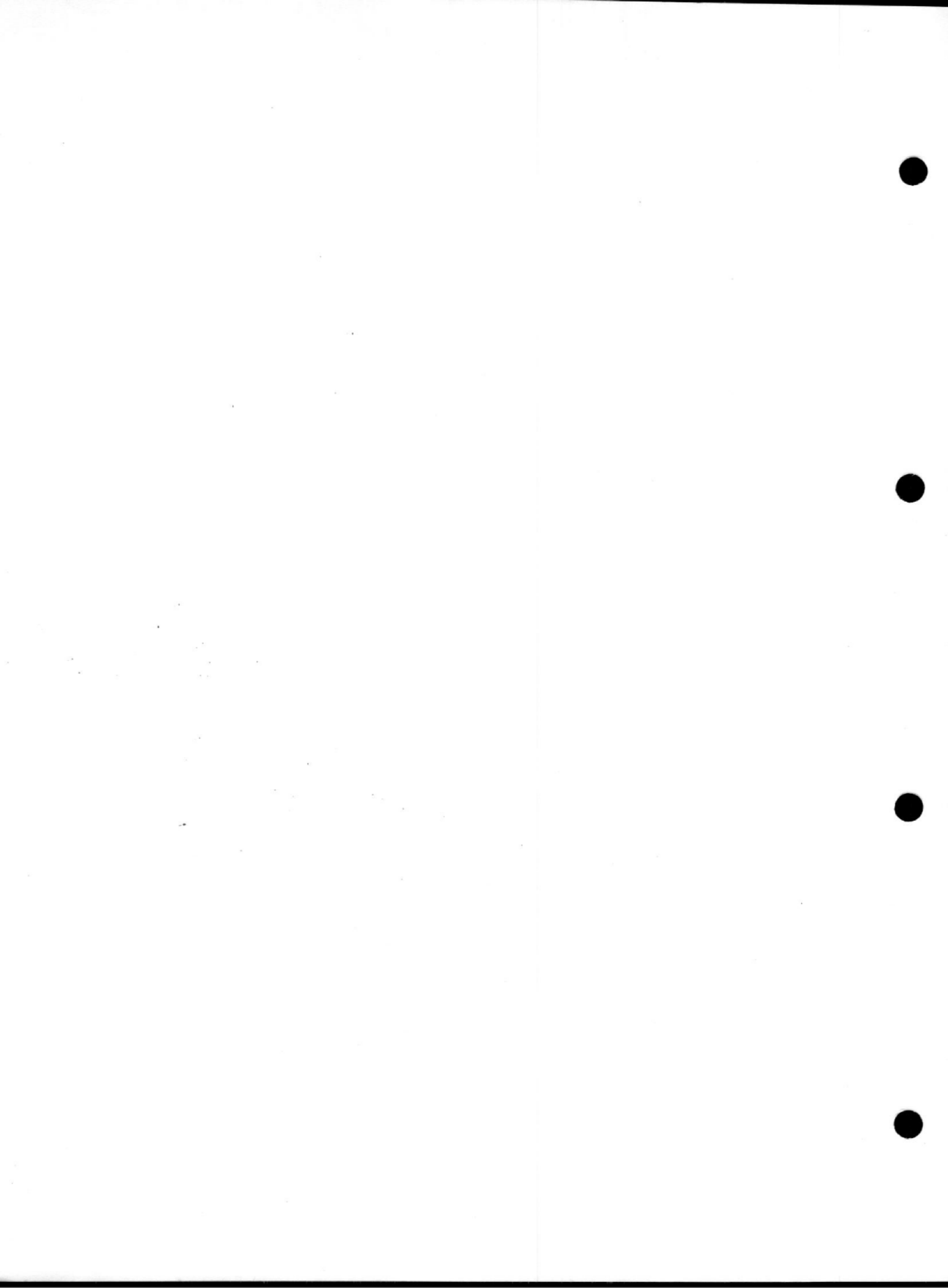








HOOD LOCKING GEAR



This file was downloaded
from the RTFM Library.

Link: www.scottbouch.com/rtfm

Please see site for usage terms,
and more aircraft documents.

