

FUSELAGE-HOOD AND WINDSCREEN

Ref. No.	Part No.	Description	No. Off	Material Specification	M.R. Class of Store	Plate No.
	E.219298	<b>HOOD AND WINDSCREEN INSTALLATION, ASSEMBLY</b>	-	-		
9968	F.231518	<b>Angle</b> , at centre beam (Mod. 806) ... ..	2	L.65.C	C.	JF.1
9971	DTD.487/26/C	<b>Bolt</b> , securing bush and plug end ... ..	1	DTD.487	C.	JF.1
	C.231273	<b>ADDITIONAL DETAILS, ASSEMBLY</b> ... ..	-	-		
	A.231224	<b>Housing</b> , block, forward, port ... ..	1	S.94.B		
	A.231225	<b>Housing</b> , block, forward, starboard ... ..	1	S.94.B		
	A.231430	<b>Housing</b> , block, aft, port ... ..	1	S.94.B		
	A.231431	<b>Housing</b> , block, aft, starboard ... ..	1	S.94.B		
	F.232698	<b>Packing</b> , port ... ..	1	-		
	F.232699	<b>Packing</b> , starboard ... ..	5	-		
	F.230878	<b>Shim</b> , aft ... ..	5	Laminated Steel		
	F.232700	<b>Shim</b> , forward ... ..	4	Laminated Brass		
8895	F.216574	<b>Shim</b> ... ..	7	Laminated Brass	C.	
	F.230879	<b>Spigot</b> ... ..	2	-		
-	Std.1509/23/070	<b>Tube</b> , distance (Make from 30B/1784) ... ..	2	L.62	-	
-	Std.1509/23/050	<b>Tube</b> , distance (Make from 30B/1784) ... ..	2	L.62	-	
1603	Std.1700/1C	<b>Bolt</b> , countersunk head ... ..	41	S.95.B	C.	5
9810	Std.1700/5C	<b>Bolt</b> , countersunk head ... ..	8	S.95.B	C.	5
8901	Std.1700/16C	<b>Bolt</b> , countersunk head ... ..	2	S.95.B	C.	5
8902	Std.1700/22C	<b>Bolt</b> , countersunk head ... ..	2	S.95.B	C.	5
26AQ/2970	Std.1702/5C	<b>Bolt</b> , countersunk head ... ..	12	S.95.B	C.	5
9969	F.231520	<b>Bush</b> , strut attachment (Mod. 806) ... ..	2	BSS.369	C.	JF.1
9970	F.231521	<b>Bush</b> , at plunger external tube (Mod. 806) ... ..	1	BSS.369	C.	JF.1
8903‡	C.219831	<b>Finisher</b> , front ... ..	1	L.72	C.	JF.2
8904‡	E.219832	<b>Finisher</b> , side, port ... ..	1	-	C.	JF.2
8905‡	E.219833	<b>Finisher</b> , side, starboard ... ..	1	-	C.	JF.2
10094	E.233786	<b>Hood</b> , group (Less seal) (Mod. 803) ... ..	1	-	A.	
	E.219020	<b>ADDITIONAL DETAILS, ASSEMBLY</b> ... ..	-	-		
	DTD.487/2/C	<b>Bolt</b> , securing roller ... ..	2	DTD.487		
	DTD.487/23/C	<b>Bolt</b> , securing roller ... ..	1	DTD.487		
	DTD.487/25C	<b>Bolt</b> , securing roller ... ..	1	DTD.487		
9972	DTD.487/25E	<b>Bolt</b> , securing roller ... ..	1	DTD.487	C.	JF.1
	C.218631	<b>Bracket</b> , hinge, group ... ..	1	-		
8906	F.210825	<b>Bolt</b> , special, for rollers ... ..	1	S.95.B	C.	JF.1
	F.258485	<b>Roller</b> (AS.1150/37P) ... ..	2	BSS.369	C.	JF.1
	F.210826	<b>Roller</b> ... ..	2	S.80.B		JF.1
	F.210827	<b>Roller</b> ... ..	1	S.80.B		JF.1
	F.210533	<b>Shaft</b> , for rollers ... ..	1	S.80		JF.1
8908	F.218647	<b>Stop</b> ... ..	1	L.65.C	C.	JF.1
	B.218694	<b>Bracket</b> , stabiliser, port, group ... ..	1	-		
	B.218695	<b>Bracket</b> , stabiliser, starboard, group ... ..	1	-		
	A.220286	<b>Bracket</b> , for inflatable seal connection ... ..	1	S.510	-	JF.1
8911	F.220261	<b>Bush</b> , for inflatable seal connection ... ..	1	Rubber	C.	JF.1
9948	F.233250	<b>Bush</b> , in stabiliser bracket ... ..	4	BSS.369	C.	JF.1
	F.220288	<b>Coupling</b> , for inflatable seal ... ..	1	L.65.C	-	JF.1
	A.220285	<b>Connector</b> , for inflatable seal ... ..	1	L.65.C	-	JF.1
	D.219122	<b>Door</b> , hinged, aft of hood, group ... ..	1	-	-	JF.1
	A.218681	<b>Bracket</b> , hinge, port ... ..	1	-	-	JF.1
	A.218682	<b>Bracket</b> , hinge, starboard ... ..	1	-	-	JF.1
	F.218692	<b>Fitting</b> , special ... ..	1	S.96.B		
	A.218706	<b>Fitting</b> , for roller, group ... ..	1	-		
9972	DTD.487/25E	<b>Bolt</b> , securing, roller ... ..	1	DTD.487	C.	JF.1
	F.213942	<b>Piece</b> , distance, for roller ... ..	1	BSS.369		JF.1
	F.220248	<b>Roller</b> ... ..	1	DTD.487		JF.1
	F.218787	<b>Link</b> ... ..	1	L.72		

FUSELAGE—HOOD AND WINDSCREEN

Ref. No.	Part No.	Description	No. Off	Material Specification	M.R. Class of Store	Plate No.
10208	C.218776	<b>Mounting</b> , for inflatable seal Group (Mod. 789)	1	—		
	F.233581	<b>Lever</b> , actuating bar ... ..	1	S.521	C.	
	F.232246	<b>Plate</b> , tapped ... ..	1	L.72		
	F.219198	<b>Packing</b> ... ..	2	L.72		
	8909	F.210448	<b>Piece</b> , distance ... ..	4	BSS.369	C.
8910	F.210446	<b>Roller</b> ... ..	4	S.80.B	C.	JF.1
8913	A.127044	<b>Spring</b> , for hinged door ... ..	4	—	C.	JF.1
7009 8914‡	F.231996	<b>Bolt</b> , special ... ..	4	S.99.B		JF.1
	F.232056	<b>Door</b> , at rear hook, port and starboard ... ..	2	L.72		JF.1
	A.217899	<b>Hook</b> , front, port and starboard ... ..	2	S.99		JF.1
	A.231994	<b>Hook</b> , rear, port and starboard ... ..	2	S.99		JF.1
	Std.1511/C	<b>Nut</b> ... ..	18	—	C.	4
	D.218935	<b>Seal</b> , inflatable (less holes) ... ..	1	—	B.	JF.1
	F.232701	<b>Shim</b> , aft, port and starboard (Mod. 788) ... ..	2	—		
	F.211030	<b>Shim</b> , centre, port and starboard (attach loosely to hood)	2	—		
	F.230877	<b>Shim</b> , forward, port and starboard (Mod. 778) ... ..	4	—		
	F.231995	<b>Shim</b> , at rear hook, port and starboard ... ..	10	S.510		
F.232019	<b>Shim</b> , at rear hook, port and starboard (Alternative to F.231995)	2	S.510			
8915	A.230873	<b>Spigot</b> , forward, port (Mod. 778) ... ..	1	L.65.C		
	A.230874	<b>Spigot</b> , forward, starboard (Mod. 778) ... ..	1	L.65.C		
	A.230875	<b>Spigot</b> , rear, port (Mod. 778) ... ..	1	L.65.C		
	A.230876	<b>Spigot</b> , rear, starboard (Mod. 778) ... ..	1	L.65.C		
	B.219204	<b>Strip</b> , seal attachment, port ... ..	1	L.72	C.	JF.1
8916	B.219205	<b>Strip</b> , seal attachment, starboard ... ..	1	L.72	C.	JF.1
8917	A.219213	<b>Strip</b> , seal attachment ... ..	1	L.72	C.	JF.1
10737	C.233784	<b>Spray</b> , hood, port, group (Mod. 803) ... ..	1	—	B.	JF.1
A.220225	<b>Elbow</b> ... ..	1	—		JF.1	
F.211474	<b>Plate</b> , stud ... ..	1	—			
10036	A.233773	<b>Slide</b> , group (Mod. 803) ... ..	1	S.520	C.	JF.1
F.233774	<b>Knob</b> ... ..	1	Nylon Bar			
Std.1507/2/016	<b>Tube</b> , distance ... ..	2	T.26 or DTD.432.S		4	
10736	C.233785	<b>Spray</b> , hood, starboard, group ... ..	1	—	B.	JF.1
A.220226	<b>Elbow</b> ... ..	1	—		JF.1	
F.211474	<b>Plate</b> , stud ... ..	1	—			
10036	A.233773	<b>Slide</b> , group ... ..	1	S.520	C.	JF.1
F.233774	<b>Knob</b> ... ..	1	Nylon Bar			
Std.1507/2/016	<b>Tube</b> , distance ... ..	2	T.26		4	
9973	Std.1935/G/D	<b>Nut on plug end</b> , internal tube (Mod. 806) ... ..	1	DTD.487	C.	JF.1
F.210034	<b>Plate</b> , bearing ... ..	1	S.80.B			
9965	F.233298	<b>Plate</b> , strut attachment (Mod. 806) ... ..	1	L.72	C.	JF.1
9966	F.231515	<b>Plug end</b> , for external tube (Mod. 806) ... ..	1	L.65.C	C.	JF.1
9967	F.231516	<b>Plug end</b> , for internal tube (Mod. 806) ... ..	1	DTD.498	C.	JF.1
F.210035	<b>Shim</b> ... ..	1	Brass			
9962	F.231524	<b>Spring</b> , for internal tube (Mod. 806) ... ..	1	Sp. St.	C.	JF.1
9960	A.231511	<b>Strut</b> (Mod. 806) ... ..	1	L.65.C	C.	JF.1
9963	F.231517	<b>Trunnion</b> , at internal attachment tube (Mod. 806) ... ..	1	DTD.498	C.	JF.1
9961	A.231512	<b>Tube</b> , external (Mod. 806) ... ..	1	—	C.	JF.1
9964	F.231513	<b>Tube</b> , internal (Mod. 806) ... ..	1	—	C.	JF.1
—	Std.1547/22/12	<b>Washer</b> , packing (Make from 30B/1724, 1/2" x 1/2") ... ..	2	L.72	—	4
1327	Std.1547/24/12	<b>Washer</b> , packing ... ..	2	DTD.610	C.	4
E.219184	<b>Windscreen</b> , group ... ..	1	—			
Std.1553/C/20	<b>Bolt</b> , securing clamp ... ..	10	S.99.B		5	
9334	F.221988	<b>Bolt</b> , special, at sling attachment point ... ..	2	S.95.B	C.	JF.2

Hunter T. Mk. 7  
 Issued with A/L No. 10

FUSELAGE-HOOD AND WINDSCREEN

Ref. No.	Part No.	Description					No. Off	Material Specification	M.R. Class of Store	Plate No.
		1	2	3	4	5				
9444	F.223709						2	S.96	C.	JF.2
8918	F.221543						8	S.96.B	C.	JF.2
8919	F.219809						14	S.95.B	C.	JF.2
9333	F.222515						8	L.65.C	C.	JF.2
8921	A.219573						1	—	C.	JF.2
8922	B.219574						1	—	C.	JF.2
8923	B.219575						1	—	C.	JF.2
8924	A.219596						1	—	C.	JF.2
8925	C.219667						1	—	C.	JF.2
8926	C.219668						1	—	C.	JF.2
8927	B.219716						2	—	C.	JF.2
8928	C.219771						1	—	C.	JF.2
8929	C.219772						1	—	C.	JF.2
8930	C.221642						1	—	C.	JF.2
8931	C.221643						1	—	C.	JF.2
8932	F.219810						10	S.1.B	C.	JF.2
9750	F.227552						2	S.1	C.	JF.2
9340	C.222974						1	—	C.	JF.2
9341	C.222975						1	—	C.	JF.2
8933	F.219607						10	S.95.B	C.	JF.2
8934	F.219608						10	S.95.B	C.	JF.2
9751	F.227570						2	S.95.B	C.	JF.2
	E.219590						1	—		JF.2
	C.219594						1	L.65.C		JF.2
	F.210780						2	S.95.B		
	D.219612						—	—		
	C.219399						1	L.65.C		JF.2
	C.219400						1	L.65.C		JF.2
	D.219595						1	L.65.C		JF.2
	D.219826						1	S.96.B		JF.2
	D.219827						1	S.96.B		JF.2
	D.219828						1	S.96.B		JF.2
8936	Std.2013.G						2	M.T. Steel	C.	
8937	Std.2013.C						10	S.112	C.	
9443	F.223312						2	S.112	C.	
	F.217994						2	S.95.B		
	C.219438						1	L.65.C		JF.2
9335	Std.1547/19/6						5	DTD.610	C.	4
	D.21973-8						—	—		
	D.219664						1	—		JF.2
	F.231380						2	S.99.B & I.C.I.A.100		
	D.219665						1	—		JF.2
	F.231380						2	S.99.B & I.C.I.A.100		

FUSELAGE—HOOD AND WINDSCREEN

Ref. No.	Part No.	Description					No. Off	Material Specification	M.R. Class of Store	Plate No.
		1	2	3	4	5				
	E.220581						1	—		JF.2
	E.220582						1	—		JF.2
	E.219741						1	—		JF.2
	E.219742						1	—		JF.2
8935	Std.2012.C						12	BSS.250.B	C.	
7965	Std.2079.C						2	Nylon	C.	
	F.217994						2	S.95.B		
8935	Std.2012.C						12	BSS.250	C.	
9765	Std.2079/C						39	Nylon	C.	
	Std.2013/E						2	—		
	F.217994						5	S.95.B		
9335	Std.1547/19/6						6	DTD.610	C.	4
11092	D.260145						1	—	B.	
8611	D.219295 *						1	—	B.	JF.2
1523	F.173856						1	DTD.364	C.	JF.2
1524	F.173857						1	DTD.364	C.	JF.2
8510	Triplex A.5500						1	—	B.	
1526	F.191042						2	Rubber	C.	JF.2
4984	Std.914.G22						1	DTD.610	C.	4
32C/509	—						1	DTD.625.A	C.	
11093	D.260146						1	—	B.	
8612	D.219296 *						1	—	B.	JF.2
1523	F.173856						1	DTD.364	C.	JF.2
1524	F.173857						1	DTD.364	C.	JF.2
8510	Triplex A.5500						1	—	B.	
1526	F.191042						2	Rubber	C.	JF.2
4984	Std.914/G22						1	DTD.610	C.	4
32C/509	—						1	DTD.625.A	C.	
2144	Std.1231/3						1	—	C.	4
9752	Std.2080/C						4	M.T. Steel	C.	
8613	C.219279						1	DTD.838	C.	JF.2
8614	C.219280						1	DTD.838	C.	JF.2
8938	F.219889						10	S.96.B	C.	JF.2
9763	F.229456						2	S.96.B	C.	JF.2
8939	F.218465						8	Rubber	C.	JF.2
9789	C.230419						1	Neoprene	C.	JF.2
9790	C.230420						1	Neoprene	C.	JF.2
9791	C.230421						1	Neoprene	C.	JF.2
9792	C.230422						1	Neoprene	C.	JF.2
9754	Std.2008/C/070						12	S.84	C.	
9332	F.222516						8	Rubber	C.	JF.2
9335	Std.1547/19/6						2	DTD.610	C.	

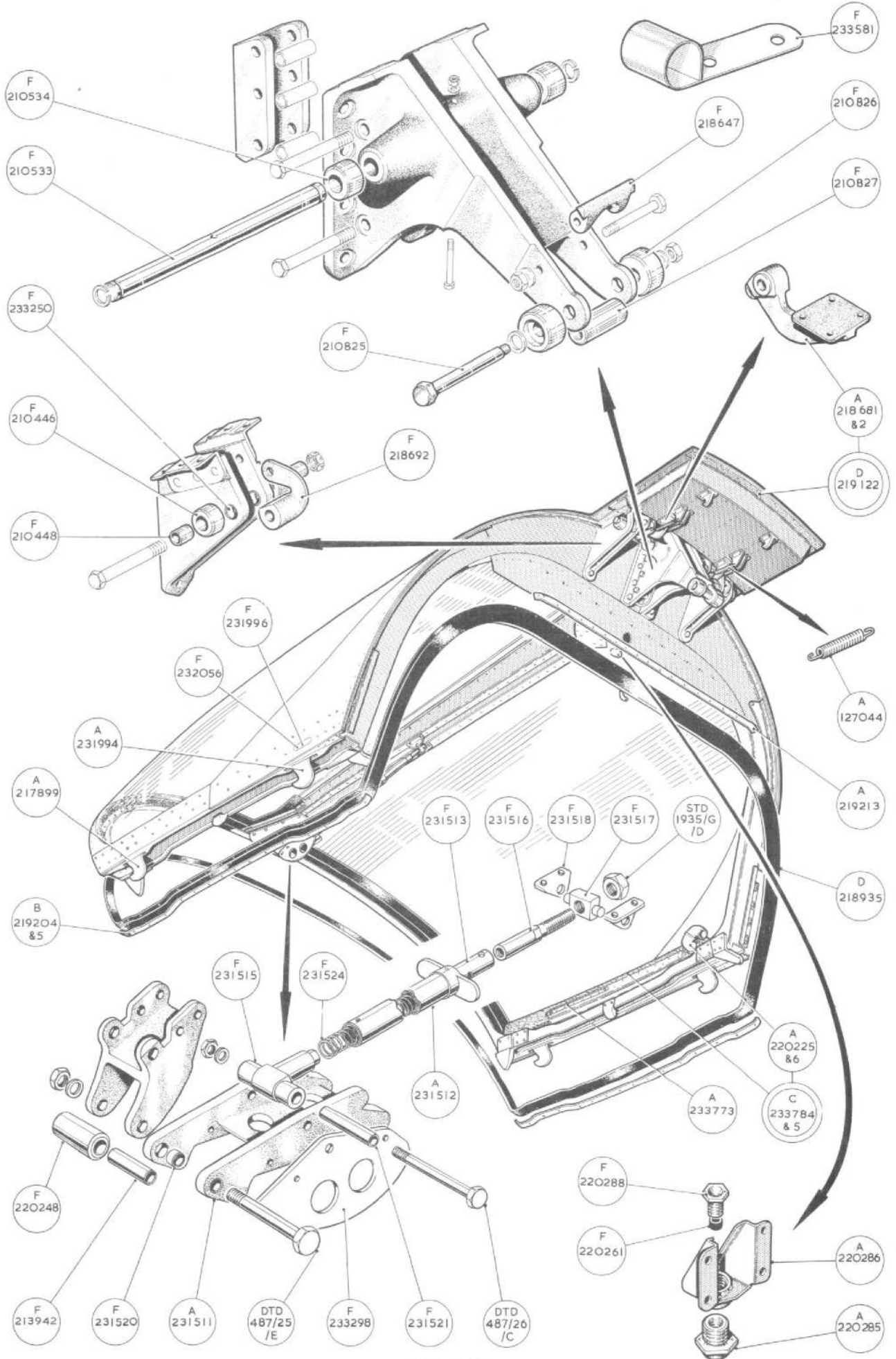
Hunter T. Mk. 7  
Issued with A/L No. 10

FUSELAGE-HOOD AND WINDSCREEN

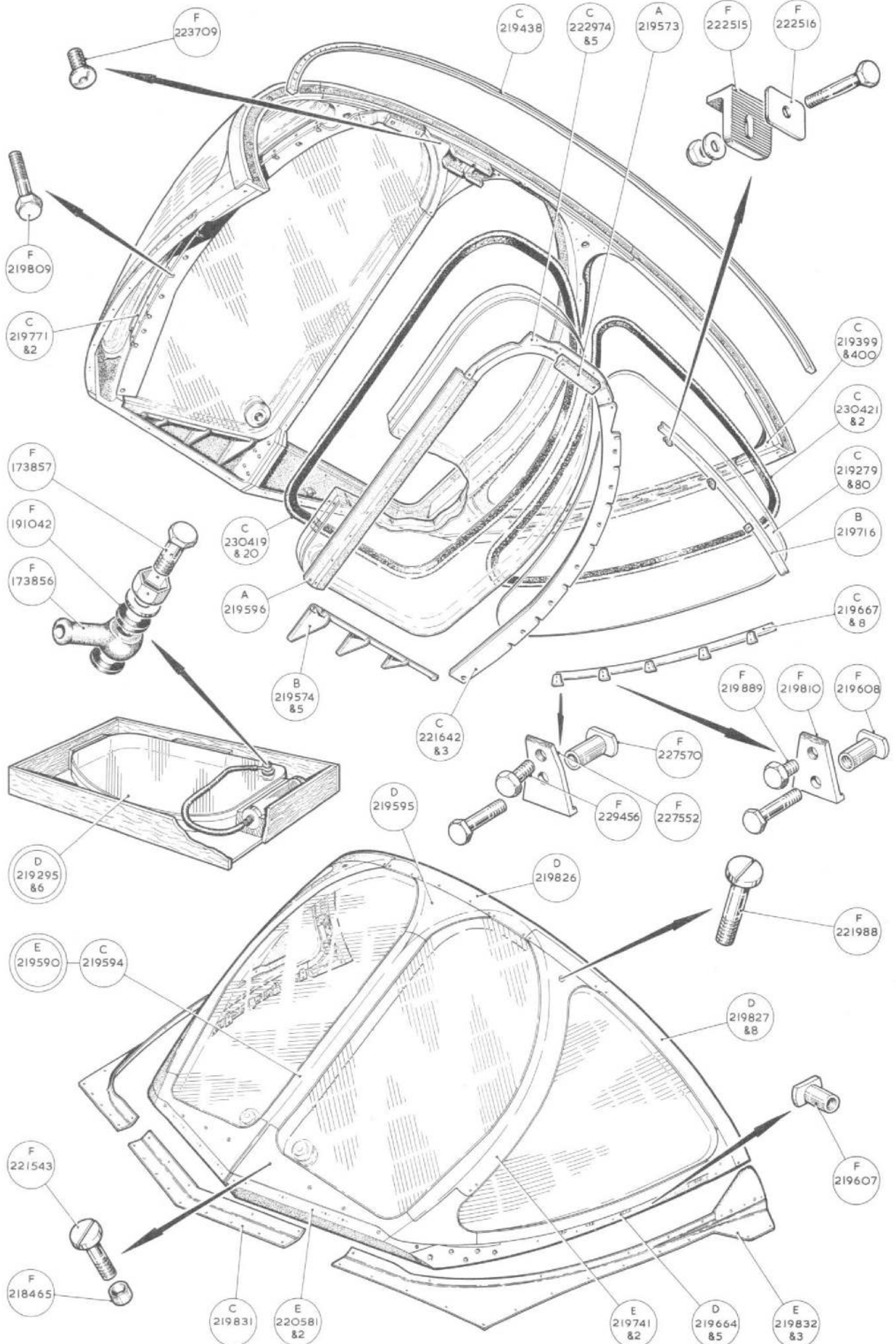
Ref No.	Part No.	Description					No. Off	Material Specification	M.R. Class of Store	Plate No.
		1	2	3	4	5				
<b>SUMMARY OF STOCK ITEMS</b>										
28D/1011658	A25.1B	Bolt,	4	B.A.	...	...	...	...	...	...
28D/9436920	A25.1C	Bolt,	2	B.A.	...	...	...	...	...	...
28D/9133011	A25.2C	Bolt,	2	B.A.	...	...	...	...	...	...
28D/9133012	A25.3C	Bolt,	2	B.A.	...	...	...	...	...	...
28D/1200119	A25.4C	Bolt,	2	B.A.	...	...	...	...	...	...
28D/12533	A25.5C	Bolt,	2	B.A.	...	...	...	...	...	...
28D/7002428	A25.6C	Bolt,	2	B.A.	...	...	...	...	...	...
28D/1010030	A25.7C	Bolt,	2	B.A.	...	...	...	...	...	...
28D/1011019	A25.8C	Bolt,	2	B.A.	...	...	...	...	...	...
28D/12534	A25.9C	Bolt,	2	B.A.	...	...	...	...	...	...
28D/12515	A25.10C	Bolt,	2	B.A.	...	...	...	...	...	...
28D/9435710	A25.11C	Bolt,	2	B.A.	...	...	...	...	...	...
28D/9419397	A25.12C	Bolt,	2	B.A.	...	...	...	...	...	...
28D/12537	A24.14C	Bolt,	2	B.A.	...	...	...	...	...	...
28D/12538	A25.15C	Bolt,	2	B.A.	...	...	...	...	...	...
28D/12630	A25.19C	Bolt,	2	B.A.	...	...	...	...	...	...
28D/1011023	A25.20C	Bolt,	2	B.A.	...	...	...	...	...	...
28D/1010031	A25.8E	Bolt,	1/4"	B.S.F.	...	...	...	...	...	...
28D/12634	A25.18E	Bolt,	1/4"	B.S.F.	...	...	...	...	...	...
28D/14642	A30.18E	Bolt,	1/4"	B.S.F.	...	...	...	...	...	...
28D/8300	AS.1242.1B	Bolt, countersunk,	4	B.A.	...	...	...	...	...	...
28D/1007975	AS.1242.1C	Bolt, countersunk,	2	B.A.	...	...	...	...	...	...
28D/8308	AS.1242.3C	Bolt, countersunk,	2	B.A.	...	...	...	...	...	...
28D/1007976	AS.1242.4C	Bolt, countersunk,	2	B.A.	...	...	...	...	...	...
28D/1013172	AS.1242.5C	Bolt, countersunk,	2	B.A.	...	...	...	...	...	...
28D/8310	AS.1242.6C	Bolt, countersunk,	2	B.A.	...	...	...	...	...	...
28D/1007978	AS.1242.7C	Bolt, countersunk,	2	B.A.	...	...	...	...	...	...
28D/8312	AS.1242.8C	Bolt, countersunk,	2	B.A.	...	...	...	...	...	...
28D/8313	AS.1242.9C	Bolt, countersunk,	2	B.A.	...	...	...	...	...	...
28D/10168	AS.1242.11C	Bolt, countersunk,	2	B.A.	...	...	...	...	...	...
28D/8315	AS.1242.12C	Bolt, countersunk,	2	B.A.	...	...	...	...	...	...
28D/8316	AS.1242.13C	Bolt, countersunk,	2	B.A.	...	...	...	...	...	...
28D/8509	AS.1242.14C	Bolt, countersunk,	2	B.A.	...	...	...	...	...	...
28D/8317	AS.1242.15C	Bolt, countersunk,	2	B.A.	...	...	...	...	...	...
28D/12120	AS.1242.16C	Bolt, countersunk,	2	B.A.	...	...	...	...	...	...
28D/11527	AS.1242.17C	Bolt, countersunk,	2	B.A.	...	...	...	...	...	...
28D/12189	AS.1242.18C	Bolt,	2	B.A.	...	...	...	...	...	...
28D/8318	AS.1242.19C	Bolt,	2	B.A.	...	...	...	...	...	...
28D/11243	AS.1242.20C	Bolt,	2	B.A.	...	...	...	...	...	...
28D/8319	AS.1242.22C	Bolt,	2	B.A.	...	...	...	...	...	...
28D/13663	AS.1242.24C	Bolt,	2	B.A.	...	...	...	...	...	...
28D/11244	AS.1242.25C	Bolt,	2	B.A.	...	...	...	...	...	...
28D/8333	AS.1242.16E	Bolt,	1/4"	B.S.F.	...	...	...	...	...	...
28D/12124	AS.1242.19E	Bolt,	1/4"	B.S.F.	...	...	...	...	...	...
28D/1013284	AS.1248.2C	Bolt,	2	B.A.	...	...	...	...	...	...
28D/9142406	AS.1248.3C	Bolt,	2	B.A.	...	...	...	...	...	...
28D/1013301	AS.1248.4C	Bolt,	2	B.A.	...	...	...	...	...	...
28D/12133	AS.1248.16C	Bolt,	2	B.A.	...	...	...	...	...	...
28N/13018	AGS.2031/2	Circlip, external,	1/2"	dia.	...	...	...	...	...	...
28N/9156370	SP.21	Nipple, lubricating,	1/4"	B.S.P.	...	...	...	...	...	...
28M/5234	A14.C.B	Nut,	2	B.A.	...	...	...	...	...	...
28M/5236	A14.E.B	Nut,	1/4"	B.S.F.	...	...	...	...	...	...
28M/1006473	A27.C.T	Nut,	2	B.A.	...	...	...	...	...	...
28M/12931	A27.E.T	Nut,	1/4"	B.S.F.	...	...	...	...	...	...
28M/1011470	A27.G.T	Nut,	5/16"	B.S.F.	...	...	...	...	...	...

FUSELAGE—HOOD AND WINDSCREEN

Ref. No.	Part No.	Description					No. Off	Material Specification	M.R. Class of Store	Plate No.
		1	2	3	4	5				
28M/9403520	A27.C.P	Nut, 2	B.A.	...	...	...	...	—	—	—
28M/13935	A58.E.S	Nut, 1/4"	B.S.F.	...	...	...	...	—	—	—
28M/10288	AGS.2001/C1	Nut, 2	B.A.	...	...	...	...	—	—	—
28M/10290	AGS.2001/E1	Nut, 2	B.A.	...	...	...	...	—	—	—
28M/10327	AGS.2002/B/1	Nut, 4	B.A.	...	...	...	...	—	—	—
28M/10328	AGS.2002/C1	Nut, 2	B.A.	...	...	...	...	—	—	—
28M/10310	AGS.2002/C/4	Nut, 2	B.A.	...	...	...	...	—	—	—
28M/12344	AGS.2002/E/4	Nut, 1/4"	B.S.F.	...	...	...	...	—	—	—
28M/11957	AGS.2007/C1	Nut, 2	B.A.	...	...	...	...	—	—	—
28M/10215	AGS.2008/B1	Nut, 4	B.A.	...	...	...	...	—	—	—
28M/9435067	AGS.2008/C1	Nut, 2	B.A.	...	...	...	...	—	—	—
28M/11113	AGS.2008/C4	Nut, 2	B.A.	...	...	...	...	—	—	—
28M/16273	AGS.2019/C4	Nut, 2	B.A.	...	...	...	...	—	—	—
28M/13085	AGS.2023/C1	Nut, 2	B.A.	...	...	...	...	—	—	—
28P/839	SP.4Y/B.13	Pin	...	...	...	...	...	—	—	—
28P/19225	SP.90C3	Pin, split	...	...	...	...	...	—	—	—
28P/19153	SP.90C5	Pin, split	...	...	...	...	...	—	—	—
28S/1200058	A33/A12	Screw (Mod. 789)	...	...	...	...	...	—	—	—
28W/9419475	SP.15.C	Washer, 2	B.A.	...	...	...	...	—	—	—
28W/9419405	SP.15.E	Washer, 1/4"	B.S.P.	...	...	...	...	—	—	—
28W/9419404	SP.16.C	Washer, 2	B.A.	...	...	...	...	—	—	—
28F/9429636	AGS.1186/3	Washer, 2	B.A.	...	...	...	...	—	—	—
28F/14253	AGS.1186/4	Washer, 1/4" dia.	...	...	...	...	...	—	—	—
28W/9416642	SP.47B	Washer, 4	B.A. (Mod. 789)	...	...	...	...	—	—	—









This file was downloaded  
from the RTFM Library.

Link: [www.scottbouch.com/rtfm](http://www.scottbouch.com/rtfm)

Please see site for usage terms,  
and more aircraft documents.

