

SERVICES—GUN HEATING

Ref. No.	Part No.	Description	No. Off	Material Specification	M.R. Class of Store	Plate No.
		GUN HEATING INSTALLATION, ASSEMBLY ...	-	-		
3921	E.221353	Block , support, at frame 33	1	LFS.23	C.	ND.1
1136	F.196290	Clamp , connection of flexible hose to compressor casing, group	1	-	C.	ND.1
2723	F.184931	Bolt , eye	1	S.94.B	C.	ND.1
6526	F.213079	Nut , special	1	S.95	C.	ND.1
2724	F.185592	Washer	1	DTD.364	C.	ND.1
	F.221346	Clip , support, for pipe at skins between frames 17B and 17A	1	-		
	F.221379	Clip , support, for pipe at diaphragm forward of frame 16	1	L.72		
4041	F.196289	Clip , half, at frame 33	1	DTD.610	MR/C	ND.1
	2046/50/20	Clip	2	-		
	Std.851/44	Clip , support, $\frac{7}{16}$ " wide x 22 s.w.g. x 4.4" long ...	2	DTD.610		
4038	Std.851/47	Clip , support, $\frac{7}{16}$ " wide x 22 s.w.g. x 4.7" long ...	7	DTD.610	C.	4
3954	Std.851/51	Clip , support, $\frac{7}{16}$ " wide x 22 s.w.g. x 4.1" long ...	6	DTD.610	C.	4
1366	Std.1682/10	Clip , pipe joint	18	S.3	C.	5
1652	B.199332	Hose , metallic, to connection on compressor casing (Alternative to B.230598)	1	-	C.	ND.1
9786	B.230598	Hose , metallic, flexible (Alternative to B.199332) ...	1	-	C.	
1654	B.192093/2	Pipe , frame 18A to frame 21	1	-	C.	ND.1
1657	B.192093/5	Pipe , aft of frame 25 to frame 28	1	-	C.	ND.1
3925	B.192093/6	Pipe , frame 28 to aft of frame 31	1	-	C.	ND.1
3924	B.192093/7	Pipe , aft of frame 31 to forward frame 33	1	-	C.	ND.1
3923	B.192093/8	Pipe , forward of frame 33 to metallic hose	1	-	C.	ND.1
8041	B.192093/12	Pipe , forward of frame 23 to frame 24	1	-	B.	ND.1
8040	B.192093/13	Pipe , frame 24 to frame 25	1	-	B.	ND.1
8039	B.206114	Pipe , frame 21 to forward of frame 23	1	-	B.	ND.1
9288	C.221038/1	Pipe , frame 18 to valve	1	-	B.	ND.1
9289	C.221038/2	Pipe , valve to connection aft of frame 18A	1	-	B.	ND.1
9290	C.221038/3	Pipe , forward of frame 18A to frame 16	1	-	B.	ND.1
9291	C.221038/4	Pipe , frame 16 to diaphragm forward of frame 16 ...	1	-	B.	ND.1
1658	F.192798	Ring , sealing, at clamp	1	Rubber	C.	ND.1
1659	Std.1744/10	Sleeve , at pipe joint	9	Rubber	C.	5
7866	F.215994	Strip , rubbing, at frame 18B	1	L.59	C.	ND.1
4042	Std.1509/23/030	Tube , distance, $\frac{5}{16}$ " o/d x 17 s.w.g. x 3" long ...	2	T.4	MR/C	4
	Std.1509/23/060	Tube , distance, $\frac{5}{16}$ " o/d x 17 s.w.g. x 6" long ...	1	T.4		
		VALVE, MOTORISED, ASSEMBLY	-	-		
6748	F.209784	Block , spacing	1	Casting	C.	ND.1
1395	F.190853	Bolt , special	2	S.95.B	C.	ND.1
2767	F.173562	Clip	1	DTD.610	MR/C	ND.1
	B.191700	Valve , group	1	-		ND.1
5W/330	Plessey	Actuator	1	-	A.	ND.1
	CZ.72256					
1661	B.191699	Valve , hot air, group	1	-	B.	ND.1
1662	F.184647	Bearing , shaft	1	S.80.B	C.	ND.1
3879	A.184838	Block , insulating	1	Ferobestos	C.	ND.1
3926	F.196798	Cover , insulating	1	Ferobestos	C.	ND.1
1418	F.184868	Shaft , coupling	1	S.61.B	C.	ND.1
1348	F.172951	Spring	1	Steel	C.	ND.1
1352	F.179471	Washer , joint	2	-	C.	ND.1
3960	Std.1547/42/12	Washer , for pipe support at frame 33	2	DTD.610	MR/C	4

RESTRICTED

Hunter T Mk. 7
Issued with A/L No. 3

SERVICES—GUN HEATING

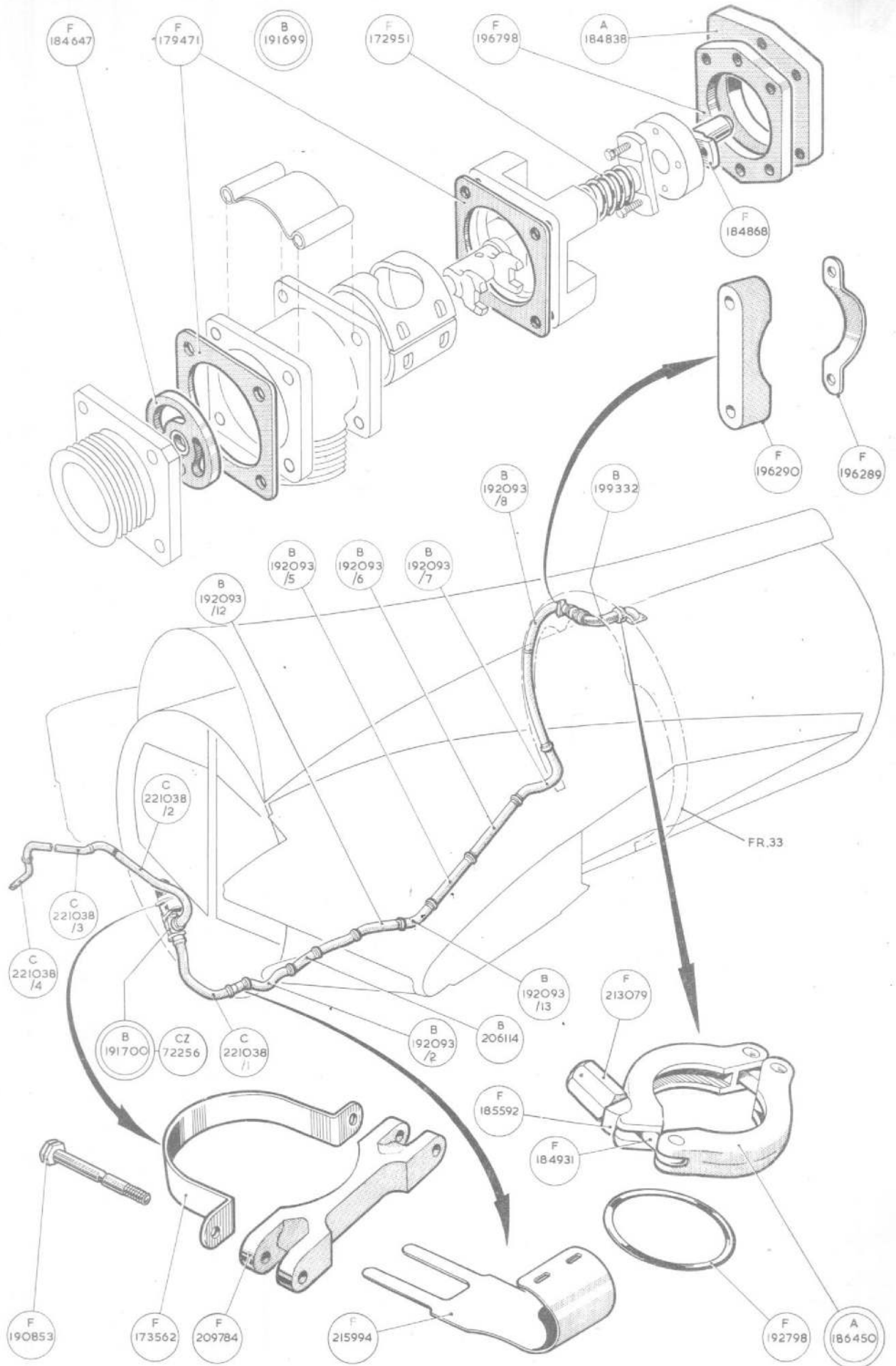
Ref. No.	Part No.	Description					No. Off	Material Specification	M.R. Class of Store	Plate No.
		1	2	3	4	5				

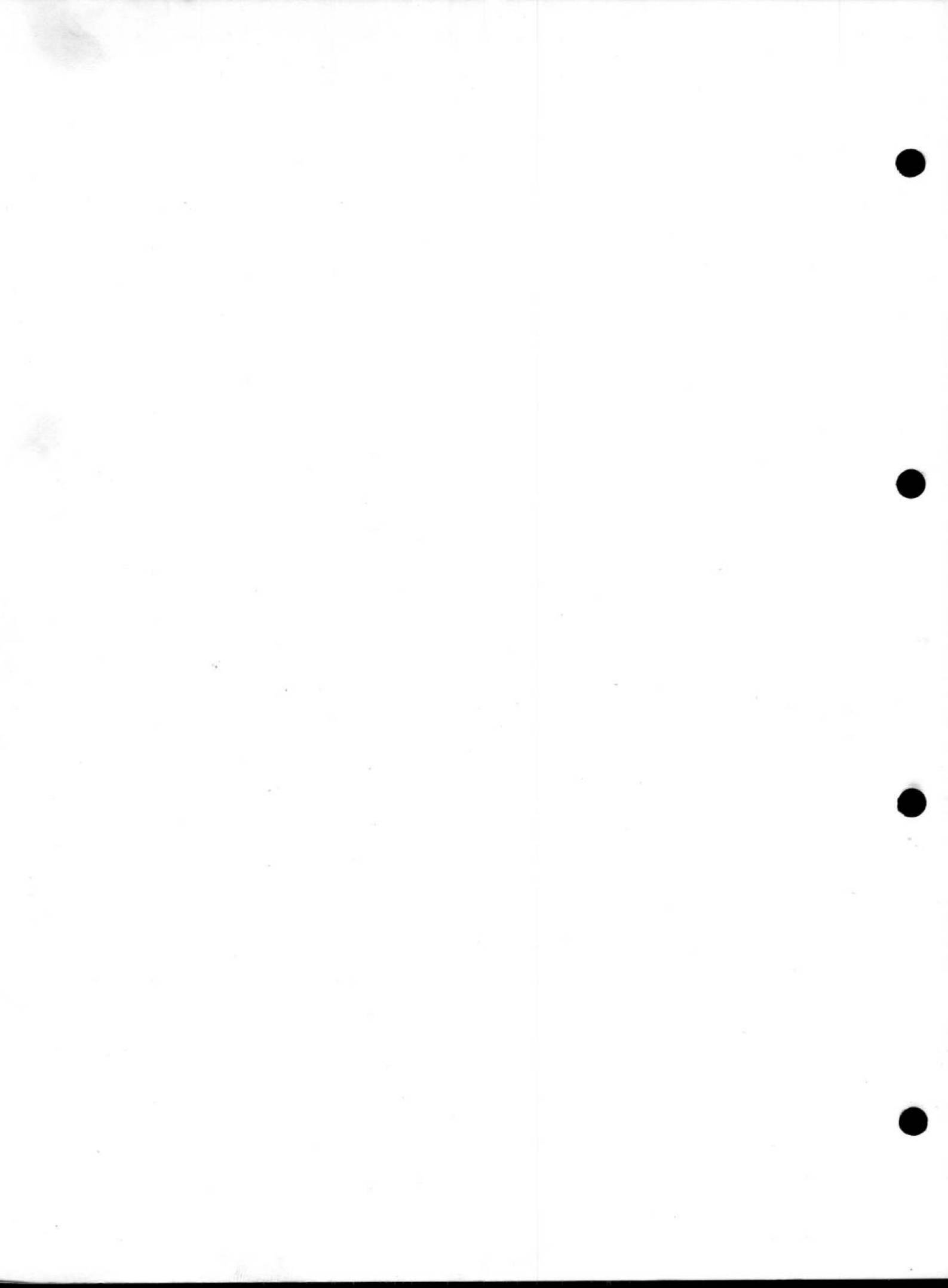
RESTRICTED

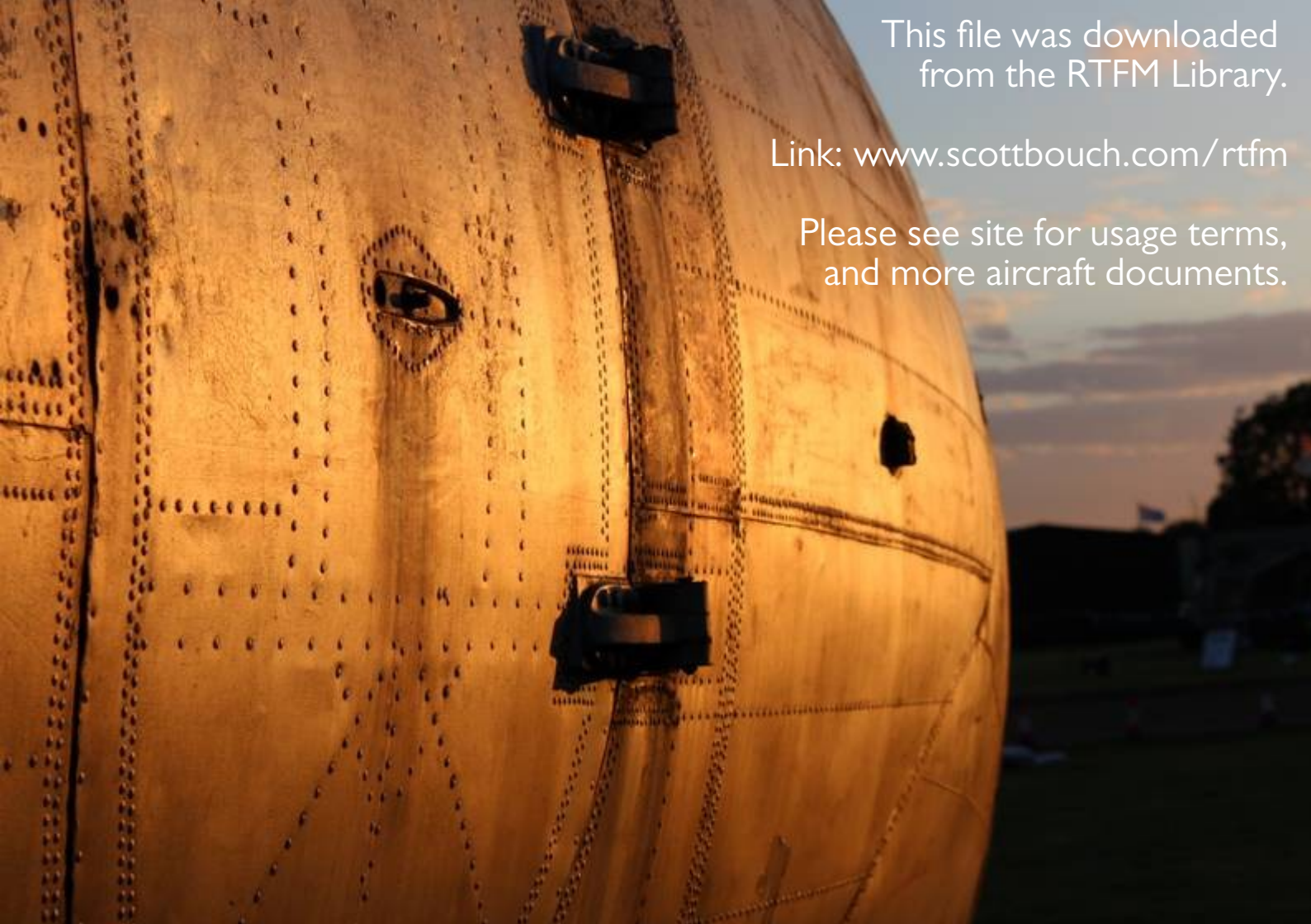
SERVICES—GUN HEATING

Ref. No.	Part No.	Description					No. Off	Material Specification	M.R. Class of Store	Plate No.
		1	2	3	4	5				
SUMMARY OF STOCK ITEMS										
28D/9436920	A25.1.C	Bolt, 2 B.A.	-	—
28D/12533	A25.5.C	Bolt, 2 B.A.	-	—
28D/1010030	A25.7.C	Bolt, 2 B.A.	-	—
28D/12536	A25.13.C	Bolt, 2 B.A.	-	—
5K/3390	AS.3360.B.3.B	Lead, bonding	-	—
5K/3355	AS.3360.B.4.B	Lead, bonding	-	—
5K/3371	AS.3360.B.4.C	Lead, bonding	-	—
5K/3391	AS.3360.B.4.E	Lead, bonding	-	—
28F/8280	AGS.1142.H	Nipple	-	—
28F/8216	AGS.1142.J	Nipple	-	—
28M/10327	AGS.2002.B.1	Nut, 4 B.A.	-	—
28M/10328	AGS.2002.C.1	Nut, 2 B.A.	-	—
28S/9419435	A31.B.12	Screw, 4 B.A.	-	—
28S/9437020	A31.C.12	Screw, 2 B.A.	-	—
28S/9997545	A31.C.16	Screw, 2 B.A.	-	—
28S/9435713	A31.C.20	Screw, 2 B.A.	-	—
28S/1011490	A32.C1.6	Screw	-	—
5K/1767	AGS.1533.F	Strip, bonding	-	—
28F/11200	AGS.1103J	Union, D.E.	-	—
28W/9419474	SP.15.B	Washer	-	—
28W/9419475	SP.15.C	Washer	-	—

Ref. No.	Part No.	Description					No. Off	Material Specification	M.R. Class of Store	Plate No.
		1	2	3	4	5				







This file was downloaded
from the RTFM Library.

Link: www.scottbouch.com/rtfm

Please see site for usage terms,
and more aircraft documents.