

Hunter T. Mk. 7  
 Issued with A/L No. 11

SERVICES—HYDRAULICS REAR FUSELAGE

Ref. No.	Part No.	Description	No. Off	Material Specification	M.R. Class of Store	Plate No.
	D.237211	<b>HYDRAULIC INSTALLATION IN REAR FUSELAGE, ASSEMBLY (Mod. 812)</b>	-	-		
27Q/1884	Dowty 08692Y A.05	<b>Accumulator</b> ... ..	1	-	A.	
1180	F.183906	<b>Block, clamp, for return pipes</b> ... ..	1	LFS.21	C.	NG.1
1181	F.183907	<b>Block, clamp, for pressure pipe</b> ... ..	1	LFS.21	C.	NG.1
7231	B.200875	<b>Bracket, mounting, for pressure gauge</b> ... ..	1	L.72	MR/C	
10156	A.215212	<b>Bracket, mounting, for Micronic filter</b> ... ..	1	-	C.	
1182	A.189669	<b>Clamp, top, twin type</b> ... ..	1	S.3	C.	NG.1
2052	F.194338	<b>Clamp, top half</b> ... ..	7	LFS.21	C.	NG.1
2053	F.194339	<b>Clamp, bottom half</b> ... ..	8	LFS.21	C.	NG.1
2093	F.196103	<b>Clamp</b> ... ..	1	S.3	C.	NG.1
	F.211876	<b>Clip, for pipe at frame 52</b> ... ..	1	S.3		
9092	F.221834	<b>Clip, saddle</b> ... ..	1	S.510	C.	
	F.221095	<b>Clip, securing cable duct (Mod. 629)</b> ... ..	1	S.510		
	F.215214	<b>Clip, half, securing Micronic filter</b> ... ..	1	-	C.	
3740	Std.840/33	<b>Clip, <math>\frac{7}{16}</math>" wide x 22 s.w.g. x 3-3" long (Mod. 629)</b> ... ..	1	DTD.610	MR/C	4
*4802	Std.840/31	<b>Clip, <math>\frac{7}{16}</math>" wide x 22 s.w.g. x 3-5" long</b> ... ..	1	DTD.610	MR/C	4
27BA/8796	Auto Prod. A.V.A.57A	<b>Coupling, half, high pressure, union half</b> ... ..	1	-	B.	
27BA/8759	Auto. Prod. A.V.A.57B	<b>Coupling, half, high pressure, union half</b> ... ..	1	-	B.	
28Y/15486	H.P. Components Ltd. A.58	<b>Connection, charging</b> ... ..	1	-	B.	
	F.222439	<b>Duct, cable (Mod. 629)</b> ... ..	1	-		
27KF/1547	Fairey FHS.1211.Z	<b>Filter, micronic, group (Pre Mod. 888)</b> ... .. (For Spares see AP.4515, Vol. 3, Part 1, Section 2, Chapter 1)	1	-	A.	
27KF/3300	Fairey BH.1643	<b>Filter, unit (Mod. 1146)</b> ... ..	1	-	A.	
6A/2693	-	<b>Gauge, pressure, Fluorescent Mk. 14LL.</b> ... ..	1	-	A.	
7232	B.209709	<b>Guard, for flexible pipes</b> ... ..	1	L.72	C.	NG.1
27BA/9261	Auto. Prod. A.V.A.322A/16	<b>Hose, flexible</b> ... ..	1	-	C.	
27BA/9493	Auto. Prod. A.V.A.322A/26-5	<b>Hose, flexible</b> ... ..	1	-	C.	
27BA/9699	Auto. Prod. A.V.A.322B/16	<b>Hose, flexible</b> ... ..	1	-	C.	
27BA/9466	Auto. Prod. A.V.A.322B/23	<b>Hose, flexible</b> ... ..	1	-	C.	
	D.204180	<b>HYDRAULICS FOR AIR BRAKE, ASSEMBLY</b>	-	-		
2081	F.195583	<b>Block, clamp</b> ... ..	6	LFS.21	C.	NG.1
4950	F.204723	<b>Block, clamp</b> ... ..	10	LFS.21	C.	NG.1
4951	A.204934	<b>Block, clamp</b> ... ..	2	LFS.21	C.	NG.1
8511	F.220531	<b>Block, saddle at Pressure Regulator Valve</b> ... ..	1	LFB.82	C.	
27BA/8775	Auto. Prod. A.V.A.647C	<b>Cap, blanking, medium and high pressure for flange stud half</b> ... ..	2	-	C.	
4952	F.204102	<b>Clamp, plate</b> ... ..	4	LFS.21	C.	NG.1
5789	Std.851/35	<b>Clip, <math>\frac{7}{16}</math>" wide x 22 s.w.g. x 3-5" long</b> ... ..	2	DTD.610	C.	4
	Std.853/81	<b>Clip, <math>\frac{7}{16}</math>" wide x 22 s.w.g. x 8-1" long</b> ... ..	1	S.3		
27BA/11415	Auto. Prod. A.V.A.1150C	<b>Coupling, half, high pressure flanged half</b> ... .. (Mod. 1077)	2	-	B.	
5483	Std.1231/1B	<b>Lug, locking</b> ... ..	2	S.3	MR/C	4
2144	Std.1231/3	<b>Lug, locking</b> ... ..	5	S.3	C.	4
7680	Std.1231/3B	<b>Lug, locking</b> ... ..	4	S.3	MR/C	4
4953	A.204708	<b>Pipe, flexible to Pressure Relief Valve (Dunlop)</b> ... ..	1	WH.3/2	C.	NG.1
4954	A.204709	<b>Pipe, flexible to Pressure Relief Valve (Dunlop)</b> ... ..	1	WH.3/2	C.	
7687	F.211473	<b>Piece, distance</b> ... ..	8	T.4	MR/C	
7684	A.209797	<b>Plate, for flanged coupling, starboard</b> ... ..	1	-	MR/C	
7685	A.209798	<b>Plate, for flanged coupling, port</b> ... ..	2	-	MR/C	
8239	A.216950	<b>Plate, fireproof cover</b> ... ..	2	S.3	MR/C	

## SERVICES—HYDRAULICS REAR FUSELAGE

Ref. No.	Part No.	Description	1 2 3 4 5					No. Off	Material Specification	M.R. Class of Store	Plate No.
			1	2	3	4	5				
10857	F.217369	Plate, sealing, at frame 50 ... ..						1	LFS.21	C.	
	F.217370	Plate, sealing, at frame 50 ... ..						1	LFS.21		
27Q/1820	Dowty 04862Y A.08	Regulator, pressure (Mod. 690) ... ..						1	—	A.	
27Q/1526	Dowty 04862Y B.08	Regulator, pressure (AS.830/56) ... ..						1	—	A.	
27QA/251	Dowty SP.900/22	Ring, "O" ... ..						2	—	C.	
8240	A.216951	Shield, fireproof, top, port ... ..						1	S.3	MR/C	NG.1
8241	A.216952	Shield, fireproof, top, starboard ... ..						1	S.3	MR/C	NG.1
8242	A.216953	Shield, fireproof, bottom, port ... ..						1	S.3	MR/C	NG.1
8243	A.216954	Shield, fireproof, bottom, starboard ... ..						1	S.3	MR/C	NG.1
8244	A.216955	Shield, fireproof, top, port ... ..						1	S.3	MR/C	NG.1
8245	A.216956	Shield, fireproof, top, starboard ... ..						1	S.3	MR/C	NG.1
8246	A.216957	Shield, fireproof, bottom, port ... ..						1	S.3	MR/C	NG.1
8247	A.216958	Shield, fireproof, bottom, starboard ... ..						1	S.3	MR/C	NG.1
7821	Dowty GD.1579	Shroud, $\frac{3}{8}$ " B.S.P., bulkhead connection ... .. (Alternative to A.206610)						4	—	C.	
5703	A.206610	Shroud, bulkhead connection ... .. (Alternative to Dowty GD.1579)						8	—	C.	NG.1
7822	Dowty GD.1576	Shroud, $\frac{3}{8}$ " B.S.P., aft of frame 46 connection ... .. (Alternative to A.206611)						1	—	C.	
5704	A.206611	Shroud, aft of frame 46 connection ... .. (Alternative to Dowty GD.1576)						2	C.	—	NG.1
5CW/6015	Thermal Control TP.5300/2	Switch, pressure ... .. (Alternative to TP.1300)						1	—	A.	
5CW/5981	Thermal Control TP.1300	Switch, pressure ... .. (Alternative to TP. 5300/2)						1	—	A.	
27Q/1936	Dowty 08818Y-A02	Unit, selector (AS.680/30) ... ..						1	—	A.	
27Q/1933	Dowty 08816Y-A03	Unit, selector (AS.680/30) ... ..						1	—	A.	
27Q/1288	Dowty C.4651Y Mk. D	Unit, pressure relief valve ... ..						1	—	A.	
6A/2771	—	Label, air, fluorescent ... ..						1	—	C.	
2144	Std.1231/3	Lug, locking ... ..						2	S.3	C.	4
27BA/8798	Auto. Prod. A.V.A.62A	Nut, union, medium and high pressure ... ..						1	—	C.	
27BA/8766	Auto.Prod. A.V.A.62B	Nut, union, medium and high pressure ... ..						1	—	C.	
†	B.187926/1	Pipe, pressure, flexible hose to non-return valve ... ..						—	DTD.323		
†	B.187926/2	Pipe, pressure, flexible hose to non-return valve ... ..						1	DTD.323		
†	B.187926/4	Pipe, pressure, tee-piece to valve ... ..						1	DTD.323		
†	B.187926/6	Pipe, pressure, valve to tee-piece ... ..						1	DTD.323		
†	B.187926/7	Pipe, pressure, tee-piece to flexible hose ... ..						1	DTD.323		
†	B.187926/8	Pipe, return, flexible hose to non-return valve ... ..						1	DTD.323		
†	B.187926/10	Pipe, return, tee-piece to valve ... ..						1	DTD.323		
†	B.187926/11	Pipe, return, valve to flexible hose ... ..						1	DTD.323		
†	B.187926/12	Pipe, return, tee-piece to Thermal Relief Valve ... ..						1	DTD.323		
†	B.187926/13	Pipe, return, Thermal Relief Valve to tee-piece ... ..						1	DTD.323		

† For details see Piping Chart

SERVICES—HYDRAULICS REAR FUSELAGE

Ref. No.	Part No.	Description	No. Off	Material Specification	M.R. Class of Store	Plate No.
4603	B.187926/16	Pipe, tee-piece to charging connection ... ..	1	DTD.323	C.	
4604	B.187926/17	Pipe, tee-piece to pressure gauge ... ..	1	DTD.323	C.	
4605	B.187926/18	Pipe, charging, accumulator to tee-piece ... ..	1	DTD.323	C.	
4606	B.187926/19	Pipe, pressure, tee-piece to charging accumulator ... ..	1	DTD.323	C.	
†	B.187926/21	Pipe, pressure, union to union ... ..	1	DTD.323		
†	B.187926/22	Pipe, pressure, to regulator valve ... ..	1	DTD.323		
5935	B.187926/23	Pipe, regulator valve to non-return valve ... ..	1	DTD.323	C.	
5936	B.187926/24	Pipe, non-return valve to tee-piece ... ..	1	DTD.323	C.	
5937	B.187926/25	Pipe, pressure, tee-piece to lower selector valve ... ..	1	DTD.323	C.	
5938	B.187926/26	Pipe, pressure, tee-piece to upper selector valve ... ..	1	DTD.323	C.	
†	B.187926/28	Pipe, return, union to 4-way piece ... ..	1	DTD.323		
†	B.187926/29	Pipe, return, 4-way piece to upper selector valve ... ..	1	DTD.323		
5942	B.187926/30	Pipe, return, 4-way piece to lower selector valve ... ..	1	DTD.323	C.	
5943	B.187926/31	Pipe, return, 4-way piece to tee-piece ... ..	1	DTD.323	C.	
†	B.187926/32	Pipe, return, tee-piece to relief valve ... ..	1	DTD.323		
†	B.187926/33	Pipe, return, upper selector valve to non-return valve ... ..	1	DTD.323		
5946	B.187926/34	Pipe, return, thermal relief valve to tee-piece ... ..	1	DTD.323	C.	
5947	B.187926/35	Pipe, air brake "up," upper selector valve to 4-way piece ... ..	1	DTD.323	C.	
5948	B.187926/36	Pipe, air brake "up," 4-way piece to flexible hose ... ..	1	DTD.323	C.	
†	B.187926/37	Pipe, air brake "up," 4-way piece to non-return valve ... ..	1	DTD.323		
†	B.187926/38	Pipe, air brake "up," 4-way piece to thermal relief valve ... ..	1	DTD.323		
5951	B.187926/39	Pipe, air brake "down," lower selector valve to pressure relief valve ... ..	1	DTD.323	C.	
5952	B.187926/40	Pipe, air brake "down," relief valve to tee-piece ... ..	1	DTD.323	C.	
5953	B.187926/41	Pipe, air brake "down," tee-piece to flexible hose ... ..	1	DTD.323	C.	
†	B.187926/42	Pipe, air brake "down," tee-piece to pressure switch ... ..	1	DTD.323		
6517	B.187926/48	Pipe, pressure, S.S. coupling to union ... ..	1	DTD.323	C.	
6518	B.187926/49	Pipe, return, S.S. coupling to union ... ..	1	DTD.323	C.	
7860	B.187926/51	Pipe, pressure, tee-piece to tee-piece ... ..	1	DTD.323	C.	
7861	B.187926/52	Pipe, return, non-return valve to tee-piece ... ..	1	DTD.323	C.	
†	B.187926/53	Pipe, pressure, non-return valve to filter (inlet) ... ..	1	DTD.323		
†	B.187926/54	Pipe, pressure, filter (outlet) to tee-piece ... ..	1	DTD.323		
9873	B.187926/73	Pipe, pressure, tee-piece to pressure switch (Mod. 812) ... ..	1	DTD.323	C.	
SCW/6733	Thermal Controls TP.5566	Switch pressure (Mod. 812) ... ..	1	—	A.	
	Std.1507/2/026	Tube, distance, 1/4" o/d x 22 s.w.g. x 0-26" long ... (Local Manufacture)	1	T.26		
	Std.1507/2/080	Tube, distance, 1/4" o/d x 22 s.w.g. x 0-80" long ... (Local Manufacture)	1	T.26		
	Std.1507/2/082	Tube, distance, 1/4" o/d x 22 s.w.g. x 0-82" long ... (Local Manufacture)	1	T.26		
1185	F.183200	Union ... ..	2	—	C.	
869	F.140778	Union, reducing ... ..	1	L.1	C.	NF.1
27Q/926	Dowty D.5220Y	Valve, non-return ... ..	3	—	A.	
27Q/15170	Dowty D.5230Y	Valve, non-return ... ..	1	—	A.	
27Q/1932	Dowty 08808Y-A.04	Valve, selector (Pre Mod. 895) ... ..	1	—	A.	
27Q/70468	Dowty 08808Y-A.07	Valve, selector (Mod. 895) ... ..	1	—	A.	
27Q/927	Dowty C.4603Y Mk. A.	Valve, thermal relief ... ..	2	—	A.	
	Std.1547/28/18	Washer, at former, frame 53 ... ..	1	DTD.610		

† For details see Piping Chart

SERVICES—HYDRAULICS REAR FUSELAGE

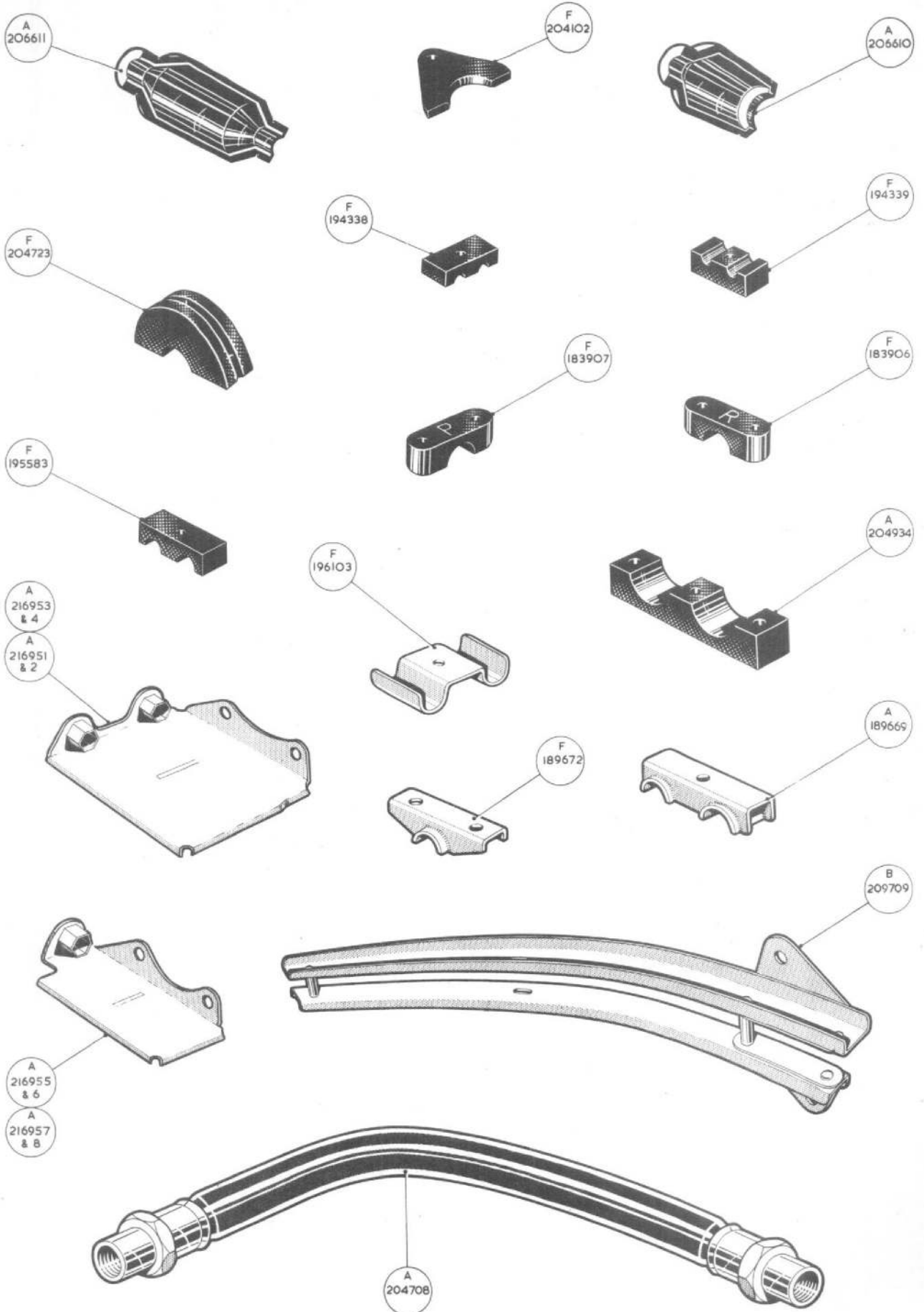
Ref. No.	Part No.	Description					No. Off	Material Specification	M.R. Class of Store	Plate No.
		1	2	3	4	5				

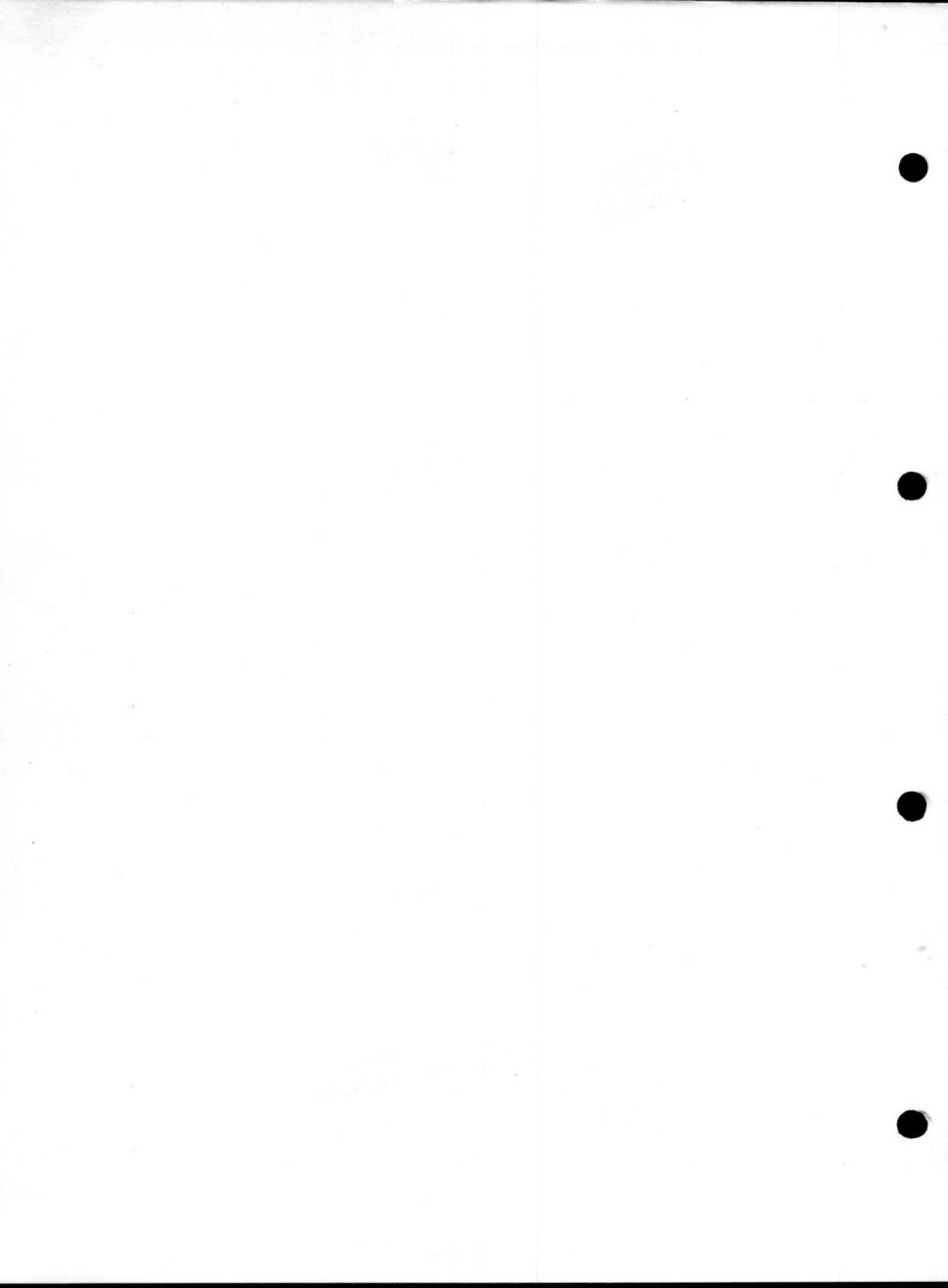
Hunter T. Mk. 7  
 Issued with A/L No. 11

SERVICES—HYDRAULICS REAR FUSELAGE

Ref. No.	Part No.	Description					No. Off	Material Specification	M.R. Class of Store	Plate No.
		1	2	3	4	5				
<b>SUMMARY OF STOCK ITEMS</b>										
28F/9838	AGS.1104A	Adaptor	...	...	...	...	...	—	—	—
28Y/12849	AGS.1212	Adaptor	...	...	...	...	...	—	—	—
28F/10797	AGS.1129/A	Banjo (Mod. 812)	...	...	...	...	...	—	—	—
28F/9423236	AGS.1132A	Banjo	...	...	...	...	...	—	—	—
28F/9423237	AGS.1132B	Banjo	...	...	...	...	...	—	—	—
28F/9423226	AGS.1135A	Bolt, banjo	...	...	...	...	...	—	—	—
28F/9423227	AGS.1135/B	Bolt, banjo	...	...	...	...	...	—	—	—
28D/13868	A25.1B	Bolt, 4 B.A.	...	...	...	...	...	—	—	—
28D/1010658	A25.1.B	Bolt, 4 B.A.	...	...	...	...	...	—	—	—
28D/1011006	A25.5.B	Bolt, 4 B.A.	...	...	...	...	...	—	—	—
28D/1010029	A25.6.B	Bolt, 4 B.A.	...	...	...	...	...	—	—	—
28D/1009984	A25.7.B	Bolt, 4 B.A.	...	...	...	...	...	—	—	—
28D/1011011	A25.8.B	Bolt, 4 B.A.	...	...	...	...	...	—	—	—
28D/9436920	A25.1.C	Bolt, 2 B.A.	...	...	...	...	...	—	—	—
28D/9133011	A25.2.C	Bolt, 2 B.A.	...	...	...	...	...	—	—	—
28D/9133012	A25.3.C	Bolt, 2 B.A.	...	...	...	...	...	—	—	—
28D/1200119	A25.4.C	Bolt, 2 B.A.	...	...	...	...	...	—	—	—
28D/12533	A25.5.C	Bolt, 2 B.A.	...	...	...	...	...	—	—	—
28D/7002428	A25.6.C	Bolt, 2 B.A.	...	...	...	...	...	—	—	—
28D/12534	A25.9.C	Bolt, 2 B.A.	...	...	...	...	...	—	—	—
28D/9435710	A25.11.C	Bolt, 2 B.A.	...	...	...	...	...	—	—	—
28D/12536	A25.13.C	Bolt, 2 B.A.	...	...	...	...	...	—	—	—
28D/12537	A25.14.C	Bolt, 2 B.A.	...	...	...	...	...	—	—	—
28D/1011021	A25.16.C	Bolt, 2 B.A.	...	...	...	...	...	—	—	—
28D/12517	A25.17.C	Bolt, 2 B.A.	...	...	...	...	...	—	—	—
28D/9744	AS.1248.2B	Bolt, 4 B.A.	...	...	...	...	...	—	—	—
28D/12132	AS.1248.12.B	Bolt, 4 B.A.	...	...	...	...	...	—	—	—
28E/9130610	AS.5419/3	Clip (Mod. 812)	...	...	...	...	...	—	—	—
28E/9130685	AS.5419/6	Clip	...	...	...	...	...	—	—	—
28F/10782	AGS.1118A	Coupling	...	...	...	...	...	—	—	—
28F/8011811	AGS.1118B	Coupling	...	...	...	...	...	—	—	—
28F/9463543	AGS.1120/1	Coupling	...	...	...	...	...	—	—	—
28F/8011896	AGS.1142.C	Nipple	...	...	...	...	...	—	—	—
28F/14529	AGS.1170.C	Nipple	...	...	...	...	...	—	—	—
28M/10327	AGS.2001.B.1	Nut, 4 B.A.	...	...	...	...	...	—	—	—
28M/10288	AGS.2001.C.1	Nut, 2 B.A.	...	...	...	...	...	—	—	—
28M/10327	AGS.2002.B.1	Nut, 4 B.A.	...	...	...	...	...	—	—	—
28M/10332	AGS.2002.C.1	Nut, 2 B.A.	...	...	...	...	...	—	—	—
28M/1006473	A27.CT	Nut, 2 B.A.	...	...	...	...	...	—	—	—
28S/9437020	A31.C12	Screw, 2 B.A.	...	...	...	...	...	—	—	—
28S/14005	A32.B14	Screw, 4 B.A.	...	...	...	...	...	—	—	—
28F/11080	AGS.1106.B	Union	...	...	...	...	...	—	—	—
28F/10508	AGS.1106.D	Union	...	...	...	...	...	—	—	—
28F/9714	AGS.1111.C	Union	...	...	...	...	...	—	—	—
28F/10020	AGS.1120/1	Union, tee (Mod. 812)	...	...	...	...	...	—	—	—
28F/9721	AGS.1120/5	Union, tee	...	...	...	...	...	—	—	—
28F/13290	AGS.1120/11	Union, tee	...	...	...	...	...	—	—	—
28F/14399	AGS.1120/13	Union, tee	...	...	...	...	...	—	—	—
28F/9726	AGS.1123.C	Union, 4 way	...	...	...	...	...	—	—	—
28F/14532	AGS.1125/8	Union, 4 way	...	...	...	...	...	—	—	—
28Y/9429623	AGS.1200	Valve, charging	...	...	...	...	...	—	—	—
28VV/9419402	SP.13.C	Washer	...	...	...	...	...	—	—	—
28VV/9419474	SP.15.B	Washer	...	...	...	...	...	—	—	—
28VV/9419475	SP.15.C	Washer	...	...	...	...	...	—	—	—
28VV/9419404	SP.16.C	Washer	...	...	...	...	...	—	—	—
28VV/9416642	SP.47.B	Washer	...	...	...	...	...	—	—	—
28F/11949	AGS.1115-4	Washer	...	...	...	...	...	—	—	—
28F/9428452	AGS.1186A	Washer	...	...	...	...	...	—	—	—
28F/9428453	AGS.1186B	Washer	...	...	...	...	...	—	—	—

Ref. No.	Part No.	Description					No. Off	Material Specification	M.R. Class of Store	Plate No.
		1	2	3	4	5				





This file was downloaded  
from the RTFM Library.

Link: [www.scottbouch.com/rtfm](http://www.scottbouch.com/rtfm)

Please see site for usage terms,  
and more aircraft documents.

