

Hunter T. Mk. 7
Issued with A/L No. 11

SERVICES—PILOTS ANTI "G" INSTALLATION

Ref. No.	Part No.	Description	No. Off	Material Specification	M.R. Class of Store	Plate No.
		PILOTS ANTI "G" INSTALLATION, ASSEMBLY	-	-		
3901	E.212575 F.194724	Block, clamp	4	LFS.21	C.	
5145	F.205189	Block, clamp	2	LFS.21	C.	NK.1
863	F.190229	Bolt, air bottle strap connection	4	S.95.B	C.	NK.1
447	F.186436	Bolt, air bottle strap connection	4	S.95.B	C.	NK.1
27VA/3988	Dunlop ACM.16782	Bottle, air spherical, 1/8" B.S.P.	4	-	A.	NK.1
9805	F.231015	Cleat, top, for pipe guard	2	LFS.21	C.	NK.1
9806	F.231016	Cleat, bottom, for pipe guard	2	LFS.21	C.	NK.1
864	F.190220	Clip, mounting, for reducing valve	1	S.3	C.	NK.1
	Std.2045/29/22	Clip, sleeved	4	S.510 or S.511		
	Std.2046/17/26	Clip, sleeved	2	S.510 or S.511		
	Std.2046/29/22	Clip, sleeved	1	S.510 or S.511		
865	Std.1178/3	Clip, mounting, for reducing valve	1	S.3 & T.26	C.	4
3774	Std.1306/N/20	Coupling, flexible, 5/8" i/d x 2" long, at anti "G" valve connection (Make from 32C/450)	5	DTD.625A	MR/C	4
-	Std.1306/N/45	Coupling, flexible, 5/8" i/d x 4.5" long, at anti "G" valve connection (Make from 32C/450)	1	DTD.625A	-	
27VA/3443	Dunlop ACO.7273	Filter	1	-	A.	NK.1
6A/2691	-	Gauge, pressure, Mk. 14, K.K.	1	-	A.	
	B.23107	Guard, pipe	1	L.72		
	B.231018	Guard, pipe	1	L.72		
8958	Dunlop DAS.412E/3-0"	Hose, kink proof, 5/8" i/d x 3" long, port	1	-	C.	
9868	Dunlop DAS.412E/5-5"	Hose, kinkproof, 5/8" i/d x 5-50" long, starboard	1	-	C.	
6A/2771	-	Label, at fuselage gauge (AS.790/65)	1	-	-	
	C.212224	Panel, control, group	1	-		
	F.213082	Block, locating handle	1	LFS.21		
	C.212079	Bracket, mounting	1	L.72		
	C.212080	Bracket, mounting	1	L.72		
8959	F.212096	Clamp, half, supporting reducing valve	2	L.65.C	C.	
8960	F.212097	Clamp, half, supporting reducing valve	1	L.65.C	C.	
8961	F.212098	Clamp, half supporting reducing valve	1	L.65.C	C.	
3774	Std.1306/N/20	Coupling, flexible, 5/8" i/d x 2" long, at anti "G" valve connection (Make from 32C/450)	1	DTD.625A	MR/C	4
	A.213080	Handle, control	1	-		
	F.213083	Lever	1	T.26 & S.3		
†	A.212660/7	Pipe, valve selector to valve reducing	1	DTD.323		NK.1
	B.212089	Plate, top	1	L.72		
	F.213100	Stop, cable	1	S.3		
27VC/75	Palmer C.58.B	Valve, reducing	1	-	A.	
27VB/3441	Hymatic S.V.9	Valve, selector	1	-	A.	
27VB/3254	Hymatic A.C.2	Valve, anti "G"	1	-	A.	
10276	A.212659/1	Pipe, anti "G" valve to joint, port	1	L.56	C.	NK.1
10807	A.212659/2	Pipe, anti "G" valve to joint, starboard	1	L.56	C.	NK.1
10707	A.212659/8	Pipe, joint, to joint, starboard	1	L.56	C.	NK.1
10808	A.212659/10	Pipe, joint to hose, port	1	DTD.323 or DTD.253	C.	NK.1
9820	A.212659/11	Pipe, joint to hose, starboard	1	DTD.323 or DTD.253	C.	NK.1

† For details see Piping Chart

SERVICES—PILOTS ANTI "G" INSTALLATION

Ref. No.	Part No.	Description					No. Off	Material Specification	M.R. Class of Store	Plate No.
		1	2	3	4	5				
†	A.212660/1	Pipe, 4-way piece to non-return valve	1	DTD.323		NK.1	
†	A.212660/2	Pipe, non-return valve to air bottle	1	DTD.323		NK.1	
†	A.212660/4	Pipe, bottle to filter	1	DTD.323		NK.1	
†	A.212660/5	Pipe, filter to union	1	DTD.323		NK.1	
†	A.212660/6	Pipe, union to valve selector	1	DTD.323		NK.1	
†	A.212660/8	Pipe, valve reducing to union	1	DTD.323		—	
†	A.212660/13	Pipe, bottle to bottle	3	DTD.323		NK.1	
†	A.212660/9	Pipe, union to union	1	DTD.323		NK.1	
†	A.212660/10	Pipe, union to tee piece	1	DTD.323		NK.1	
†	A.212660/11	Pipe, tee piece to valve reducing	1	DTD.323		NK.1	
†	A.212660/12	Pipe, tee piece to pressure gauge	1	DTD.323		NK.1	
4179	Std.1606/44/B.20	Screw, securing pressure gauge	4	Brass	C.	5	
8962	F.216131	Shackle	4	—	C.	NK.1	
27VA/3445	Dunlop ACO.6580	Socket, quick release, $\frac{5}{8}$ " dia.	2	—	C.		
1476	F.189990	Strap, air bottle	8	DTD.166	C.	NK.1	
8963	F.216130	Strap, air bottle	4	DTD.166	C.	NK.1	
3787	Std.1507/23/035	Tube, distance, for reducing valve mounting, $\frac{5}{16}$ " o/d x 17 S.W.G. x .35" long	2	T.26	MR/C	4	
	Std.1507/23/050	Tube, distance, $\frac{3}{16}$ " o/d x 17 S.W.G. x 0.50" long	1	T.4			
	Std.1507/23/070	Tube, distance, $\frac{1}{4}$ " o/d x 17 S.W.G. x 0.70" long	1	T.4			
	Std.1509/23/020	Tube, distance, $\frac{1}{4}$ " o/d x 17 S.W.G. x 0.20" long	1	T.4			
4027	Std.1509/23/060	Tube, distance, $\frac{3}{16}$ " o/d x 17 SW..G. x 0.60" long	4	T.4	MR/C		
869	F.140778	Union, reducing	1	L.1	C.	NK.1	
27Q/1539	Dowty D.5213.Y	Valve, non-return	1	—	A.		
27VC/27	Palmer C.58	Valve, reducing	1	—	A.		
27VB/3254	Hymatic AC.2	Valve, anti "G"	1	—	A.		
870	Std.915/B/18	Washer, at air bottle securing strsp	12	DTD.610	C.	4	

† For details see Piping Chart

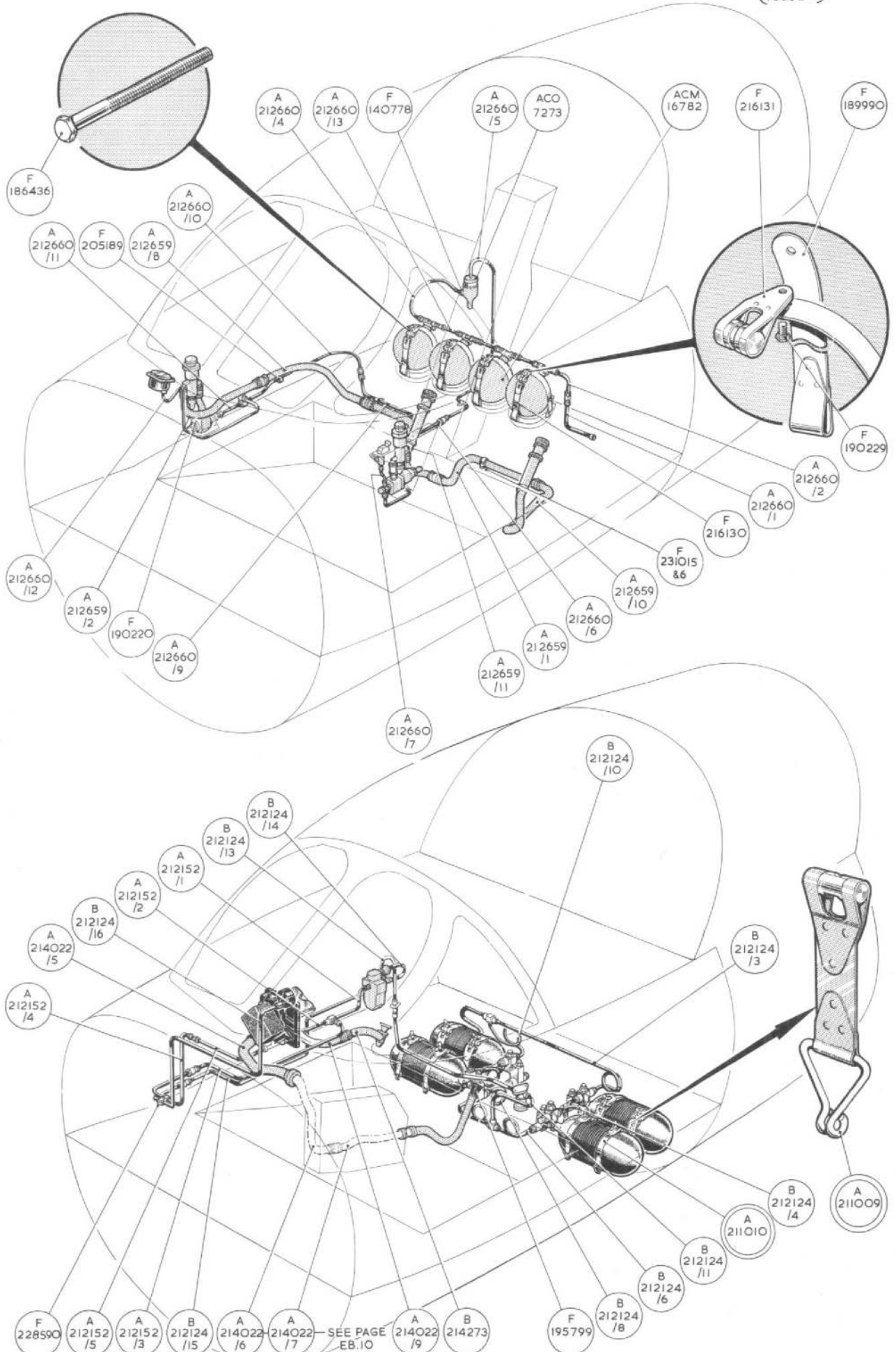
Hunter T. Mk. 7
Issued with A/L No. 11

SERVICES—PILOTS ANTI "G" INSTALLATION

Ref. No.	Part No.	Description					No. Off	Material Specification	M.R. Class of Store	Plate No.
		1	2	3	4	5				
SUMMARY OF STOCK ITEMS										
28D/1010658	A25.1.B	Bolt, 4 B.A.	—	—	—
28D/1008149	A25.2.B	Bolt, 4 B.A.	—	—	—
28D/1011006	A25.5.B	Bolt, 4 B.A.	—	—	—
28D/1011011	A25.8.B	Bolt, 4 B.A.	—	—	—
28D/12846	A25.15.B	Bolt, 4 B.A.	—	—	—
28D/9436920	A25.1.C	Bolt, 2 B.A.	—	—	—
28D/9133012	A25.3.C	Bolt, 2 B.A.	—	—	—
28D/7002428	A25.6.C	Bolt, 2 B.A.	—	—	—
28D/12534	A25.9.C	Bolt, 2 B.A.	—	—	—
28D/12517	A25.17.C	Bolt, 2 B.A.	—	—	—
28D/1011024	A25.21.C	Bolt, 2 B.A.	—	—	—
28D/9133208	A25.20.E	Bolt, ½" B.S.F.	—	—	—
28D/1007981	AS.1248½.C	Bolt, 2 B.A.	—	—	—
28D/10471	AS.124811.C	Bolt, 2 B.A.	—	—	—
28E/9130610	AS.5419/3	Clip	—	—	—
28E/8182	AGS.506/0	Clip	—	—	—
28E/8183	AGS.605/1	Clip	—	—	—
5K/113	AGS.1616/B	Clip, bonding	—	—	—
5K/3355	AS.3360/B.4.B	Connector, earthing	—	—	—
28F/9501	AGS.1142/B	Nipple	—	—	—
28F/1014650	AGS.1170/B	Nipple	—	—	—
28M/1006939	A27.G.P	Nut	—	—	—
28M/10327	AGS.2002.B.1	Nut, 4 B.A.	—	—	—
28M/10328	AGS.2002.C.1	Nut, 2 B.A.	—	—	—
28M/7002431	AGS.2002.E.1	Nut, ½" B.S.F.	—	—	—
28M/9435067	AGS.2008.C.1	Nut, 2 B.A.	—	—	—
28M/9144673	AGS.2019.C.1	Nut, 2 B.A.	—	—	—
28M/802	AGS.113/C	Nut, wing	—	—	—
28P/825	SP.4.Y.A15	Pin	—	—	—
28P/833	SP.4Y.B7	Pin	—	—	—
28P/19225	SP.90.C3	Pin, split	—	—	—
28P/19152	SP.90.C4	Pin, split	—	—	—
28S/2767	A31.B.16	Screw, 4 B.A.	—	—	—
28S/2863	A32.B.16	Screw, 4 B.A.	—	—	—
28S/2969	A32.B.20	Screw, 4 B.A.	—	—	—
28S/2862	A32.C.6	Screw, 2 B.A.	—	—	—
28F/10020	AGS.1120/1	Tee-piece	—	—	—
28W/9419474	SP.15.B	Washer 4 B.A.	—	—	—
28W/9419475	SP.15.C	Washer, 2 B.A.	—	—	—
28W/9419405	SP.15.E	Washer, ½" dia.	—	—	—
28VY/9419404	SP.16.C	Washer	—	—	—

RESTRICTED

Ref. No.	Part No.	Description					No. Off	Material Specification	M.R. Class of Store	Plate No.
		1	2	3	4	5				



OXYGEN & ANTI 'G' INSTALLATION



This file was downloaded from the RTFM Library.

Link: www.scottbouch.com/rtfm

Please see site for usage terms, and more aircraft documents.



Instrument panel from a MiG-21 Provoost (XP558)