

Hunter T. Mk. 7
Issued with A/L No. 11

SERVICES—PRESSURISATION CENTRE FUSELAGE

Ref. No.	Part No.	Description	No. Off	Material Specification	M.R. Class of Score	Plate No.
	E.220665	CABIN PRESSURISING AND AIR CONDITIONING, CENTRE FUSELAGE, ASSEMBLY	-	-		
1383	A.179060	Bolt , special, securing cold air unit mounting bracket to fuselage	4	S.95.B	C.	NL.1
1387	Std.323/38N	Bolt , shoulder, attaching inter-cooler brackets to link plate	2	S.2	C.	4
2052	F.194338	Block , clamp, securing low pressure pipe, aft of frame 34	2	LFS.21	C.	
1388	B.189396	Bracket , support, for air duct, port	1	DTD.610 & Asbestos	C.	NL.1
1389	A.173334	Bracket , support for air duct, starboard	1	DTD.610	C.	NL.1
9912	Thos. Boorn F.D.6000/1	Bracelet	10	-	C.	
8979	King Aircraft Corp. C.4370/B/1½-1½	Clamp , pipe, Mk. 2	10	-	C.	NM.1
1391	A.173097	Clip , support, for aft duct	1	DTD.610 & Asbestos	C.	NL.1
4838	A.200200	Clip , support, for air duct	1	L.72	MR/C	NL.1
9008	F.212821	Clip , securing flow controller, at frame 35	1	S.21.B & S.3	C.	
9665	F.226783	Clip , securing flexible air pipe	1	-	C.	
	Std.2045/21/24	Clip , sleeved	4	-		
	Std.853/73	Clip , (Local Manufacture)	1	S.2		
	Std.853/99	Clip , securing flow controller at frame 35 (Local Manufacture)	1	S.3		
1385	F.190242	Collar , for expansion joint, at air supply pipes	2	DTD.364	C.	NL.1
27UA/1719	Marston	Cooler (Mod. 805)	2	-	A.	
	Excelsior Ltd. D.1137/3A	<i>10FF & D1137/3A 10FF</i>				
27UA/	Sir George Godfrey Ltd. C.V.9. Dev. 3	Controller , flow (Pre Mod. 808)	1	-	A.	
27UA/1008	Sir George Godfrey Ltd. C.V.9 Mk. 1	Controller , flow (Mod. 808)	1	-	A.	
7840	D.210657	Duct , intermediate portion, for inter-cooler, port	1	L.59	C.	NL.1
1426	C.187772	Duct , intermediate portion, for re-cooler, starboard	1	L.59	C.	NL.1
	A.203588	Duct , rear portion, between cooler and frame 37, port	1	L.59 & DTD.610		NL.1
	A.203589	Duct , rear portion, between cooler and frame 37, starboard	1	L.59 & DTD.610		NL.1
8125	A.215855	Duct , expansion, joint, forward of frame 34	2	L.59	C.	NL.1
8123	D.215856	Duct , forward portion, for pre cooler, starboard	1	L.59	C.	NL.1
1386	F.190285	Link , for inter-cooler mounting	2	DTD.364	C.	NL.1
9914	Thos. Boorn F.S.6010/01	Olive	6	-	C.	
9915	Thos. Boorn F.S.6010/1	Olive	4	-	C.	

SERVICES—PRESSURISATION CENTRE FUSELAGE

Ref. No.	Part No.	Description	No. Off	Material Specification	M.R.	Plate No.
					Class of Store	
		1 2 3 4 5				
1398	F.173084	Piece, distance, for inter-cooler mounting	4	DTD.364	C.	
9013	B.212596	Pipe, flexible, air supply from engine connection (alternative to B.230426)	1	—	C.	NL.1
9785	B.230426	Pipe, flexible, air supply from engine connection (alternative to B.212596)	1	—	C.	NL.1
10793	B.252132	Pipe, turbine to expansion joint, complete with lagging	1	—	C.	NL.1
	B.220685	Pipe, engine supply to pre-cooler and by-pass (Mod. 1073)	1	—		NL.1
10794	B.252133	Pipe, junction, between cold air unit and expansion joint pipes (Mod. 1073)	1	—	C.	NL.1
†	B.213254/1	Pipe, low pressure, by-pass valve to spacer pipe ...	1	DTD.253		NL.1
†	B.213254/2	Pipe, high pressure, by-pass valve to junction ...	1	DTD.253		NL.1
†	B.213254/3	Pipe, hood seal, re-cooler to connection	1	DTD.253		NL.1
	A.212095	Pipe, cold air unit to inter-cooler	1	DTD.253		NL.1
10792	A.252131	Pipe, junction to expansion joint, complete with lagging (Mod. 1073)	1	DTD.253	C.	NL.1
	A.220682	Pipe, intercooler to turbine inlet	1	DTD.253		NL.1
	A.220683	Pipe, pre-cooler to by-pass valve	1	DTD.253		NL.1
	A.220764	Pipe, air supply valve to flow controller, complete with lagging	1	DTD.253		NL.1
	F.220679	Pipe, cold air unit to junction	1	DTD.253		NL.1
	F.220680	Pipe, by-pass valve to air supply valve... ..	1	DTD.253		NL.1
†	B.190252/5	Pipe, for pre-cooler drain	1	DTD.253		NL.1
	B.190252/8	Pipe, for inter-cooler drain	1	DTD.253		NL.1
1384	F.179061	Sleeve, retaining cold air unit bolts	4	T.4	C.	NL.1
1659	Std.1744/10	Sleeve, sealing, for expansion joint	2	Silicone	C.	5
10143	F.230196	Restrictor, at air supply valve $\frac{1}{2}$ " dia. (Mod. 804) ...	1	S.62.B	C.	NL.1
27AQ/5248	AS.5402	Ring, sealing, at cooler, cold air unit and air supply pipe joints	10	Rubber	C.	
	Std.1509/3/030	Tube, distance, at cooler mounting (Local Manufacture)	2	T.4		
3970	Std.1509/12/020	Tube, distance, $\frac{1}{4}$ " o/d x 20 s.w.g. x 2" long ...	2	T.4	MR/C	4
4601	F.203207	Tube, spacer, for air supply pipe expansion joint ...	2	DTD.253	C.	NL.1
	C.213164	UNIT, COLD AIR, ASSEMBLY	—			
1382	F.990674	Bolt, special, attaching unit to mounting bracket	6	S.95.B	C.	NL.1
1381	B.190540	Bracket, mounting	2	S.3 & T.26	C.	NL.1
27UA/973	Sir George Godfrey Ltd. 23421/KX	Dip-stick, low level marking... ..	1	—	B.	
27UA/380	Sir George Godfrey Ltd. ACRE.9	Unit, cold air, type Mk. 8W	1	—	A.	
9566	B.220926	Valve, air supply and actuator, group	1	—	A.	
5CW/4978	Plessey CZ.64581/A	Actuator, (Maximum angular travel 0°-166°) ...	1	—	A.	
	F.220864	Bracket	1	L.72		
	F.218898	Block, coupling	1	Ferobestos		NL.1
	F.220921	Clip	1	—		NL.1
	F.212348	Shaft, coupling	1	S.62.B		NL.1
	B.220888	Valve, group	1	—		NL.1
	F.213068	Bearing, at inlet connection	1	St. Stl. & Phos.		
	F.213067	Block, insulating	1	Ferobestos		

† For details see Piping Chart

SERVICES—PRESSURISATION CENTRE FUSELAGE

Ref. No.	Part No.	Description					No. Off	Material Specification	M.R. Class of Store	Plate No.
		1	2	3	4	5				
	—					BODY AND SLEEVE, ASSEMBLY	...	—		
						(B.220888)				
						Consisting of:—				
	A.216476					Body, for valve	... 1	Stamping		
	A.213064					Sleeve	... 1	BSS.369		
	A.216371					Connection, inlet	... 1	DTD.364		
	F.216451					Plate, serial No.	... 1	Alum.		
	A.213062					Spindle, group	... 1	—		
	F.213072					Lever, operating	... 1	Casting		
	F.213071					Shaft, top coupling	... 1	S.62.B		
1348	F.172951					Spring	... 1	Spr. Stl.	C.	
	F.210373					Washer, countersunk	... 1	L.72		
	F.213069					Washer, sealing	... 2	—		
9782	B.229951					Valve, by-pass, for pre-cooler, group	... 1	—	A.	NL.1
	F.211711					Adjuster, for spring	... 1	S.1		
	B.229950					Body, complete with bushes	... 1	—		
	F.225102					Cap	... 1	L.65.C		
	A.225101					Cover, spring	... 1	L.65.C		
	F.211713					Piston	... 1	St. Stl.		
	F.211712					Spring	... 1	Inconel		
	Std.821/13					Washer, sealing at cup	... 1	—		
1392	Std.1547/28/12					Washer, packing, for air duct support bracket	... 2	DTD.610	C.	4
1393	Std.1547/26/14					Washer, packing, for air duct clip	... 4	DTD.610	C.	4
1394	Std.1547/24/14					Washer, packing, for air duct clip	... 2	DTD.610	C.	4
9007	Std.1547/22/18					Washer, packing, for flow controller mounting	... 2	DTD.610	C.	
	C.188352					PIPES, AIR SUPPLY, BETWEEN NOSE AND REAR SPAR, ASSEMBLY	...	—		
2837	A.188353					Clamp, half	... 4	LFS.23	C.	NL.1
4768	Std.841/14					Clip, 1/8" wide x 22 s.w.g. x 1.3 long	... 1	DTD.610	MR/C	
2836	F.188354					Plate, guide	... 4	LFS.23	C.	NL.1
	C.186113					Pipe, complete with lagging	... 2	L.54		NL.1
†	B.190252/4					Pipe, bulkhead union in top skin to connection at frame 18	... 1	DTD.253		NL.1
†	B.190252/7					Pipe, connection to bulkhead union at frame 18	... 1	DTD.253		NL.1
						† For details see Piping Chart				

SERVICES—PRESSURISATION CENTRE FUSELAGE

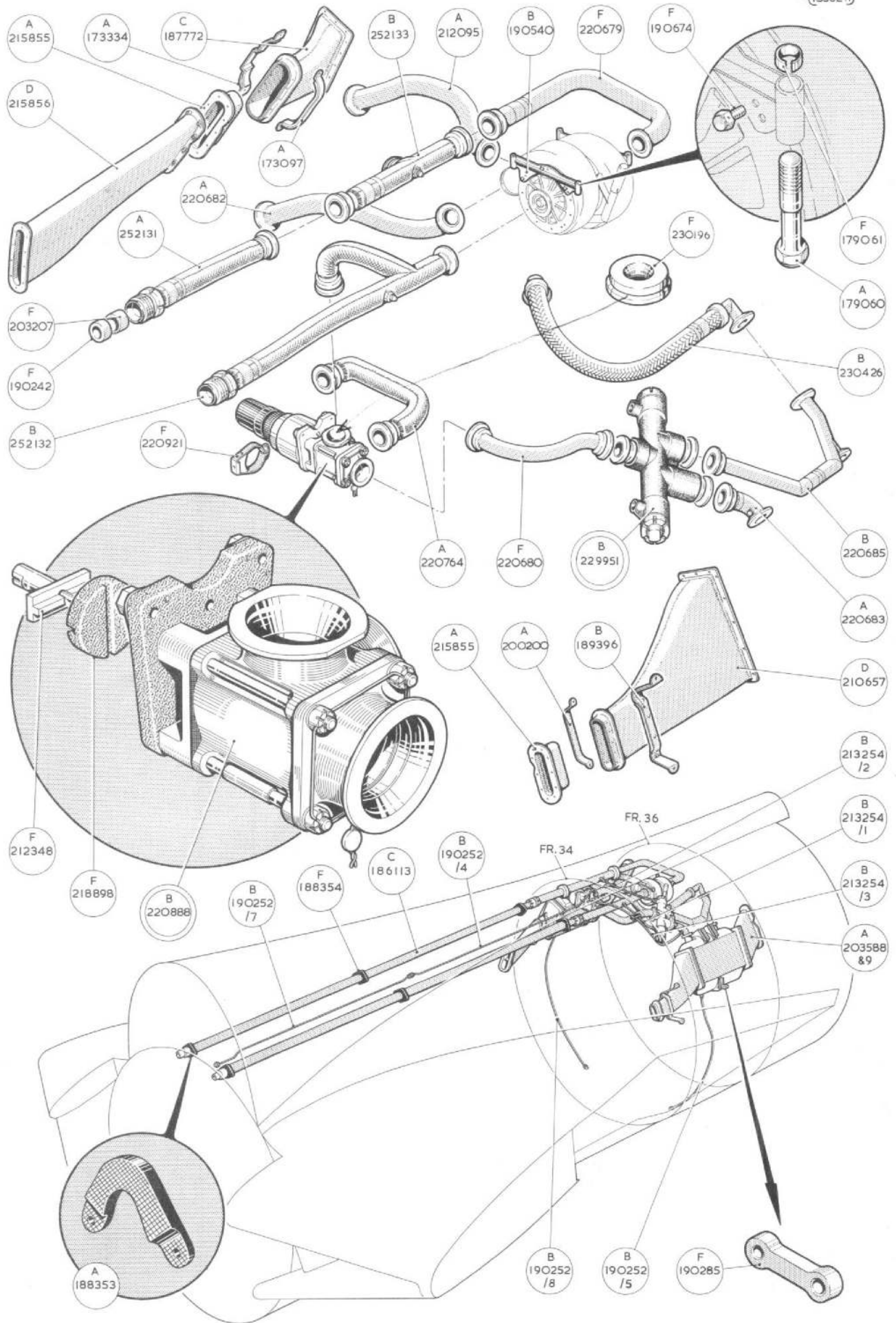
Ref. No.	Part No.						Description	No. Off	Material Specification	M.R. Class of Store	Plate No.
		1	2	3	4	5					

Hunter T. Mk. 7
Issued with A/L No. 11

SERVICES—PRESSURISATION CENTRE FUSELAGE

Ref. No.	Part No.	Description						No. Off	Material Specification	M.R. Class of Store	Plate No.
			1	2	3	4	5				
SUMMARY OF STOCK ITEMS											
28F/9708	AGS.1104/B	Adaptor, cone	—	—	—	
28F/10410	AGS.1104/C	Adaptor, cone	—	—	—	
28D/1008149	A25.2.B	Bolt, 4 B.A.	—	—	—	
28D/1011006	A25.5.B	Bolt, 4 B.A.	—	—	—	
28D/9436920	A25.1.C	Bolt, 2 B.A.	—	—	—	
28D/9133011	A25.2.C	Bolt, 2 B.A.	—	—	—	
28D/12533	A25.5.C	Bolt, 2 B.A.	—	—	—	
28D/1010030	A25.7.C	Bolt, 2 B.A.	—	—	—	
28D/12537	A25.14.C	Bolt, 2 B.A.	—	—	—	
28D/9453970	A25.15.C	Bolt, 2 B.A.	—	—	—	
28D/1008151	A25.4.E	Bolt, 1/4" B.S.F.	—	—	—	
28D/1011245	A25.10E	Bolt, 1/4" B.S.F.	—	—	—	
28D/13119	AS.1242/35.C	Bolt, 2 B.A.	—	—	—	
28E/14611	AS.5419/10	Clip	—	—	—	
5X/3371	AS.3360.B.4.C	Lead, bonding	—	—	—	
28M/13121	A27.C.S.	Nut, 2 B.A.	—	—	—	
28M/1011467	A27.E.S.	Nut, 1/4" B.S.F.	—	—	—	
28M/1011470	A27.G.T.	Nut, 5/16" B.S.F.	—	—	—	
28M/10288	AGS.2001/C.1	Nut, 2 B.A.	—	—	—	
28M/10290	AGS.2001/E.1	Nut, 1/4" B.S.F.	—	—	—	
28M/10327	AGS.2002/B.1	Nut, 4 B.A.	—	—	—	
28M/10328	AGS.2002/C.1	Nut, 2 B.A.	—	—	—	
28P/19154	SP.90C.7	Pin, split	—	—	—	
28F/10801	AGS.1143/C	Plug, cone	—	—	—	
28F/11931	AGS.904/K	Sleeve, outer	—	—	—	
28W/9419474	SP.15.B	Washer, 4 B.A....	—	—	—	
28W/9419475	SP.15.C	Washer, 2 B.A....	—	—	—	
28W/9419405	SP.15.E	Washer, 1/4" B.S.F.	—	—	—	
28W/9419404	SP.16.C	Washer, 2 B.A....	—	—	—	
28W/6659	AGS.568/B	Washer, 4 B.A....	—	—	—	
28W/13593	AGS.568/J	Washer, 3/8" dia.	—	—	—	
28W/11053	AGS.2034/G	Washer, shakeproof	—	—	—	

Ref. No.	Part No.	Description					No. Of	Material Specification	M.R. Class of Store	Plate No.
		1	2	3	4	5				





This file was downloaded
from the RTFM Library.

Link: www.scottbouch.com/rtfm

Please see site for usage terms,
and more aircraft documents.

