

SERVICES—PRESSURISATION FRONT FUSELAGE

Ref. No.	Part No.	Description	No. Off	Material Specification	M.R. Class of Store	Plate No.
	E.235596	CABIN PRESSURISING AND AIR CONDITIONING, FRONT FUSELAGE, ASSEMBLY (Mod. 779)	—	—		
	F.230326	Angle, mounting, aft of frame 12	1			
5145	F.205189	Block, clamp	2	LFS.21	C.	
	F.214073	Block, distance	1	LFS.21		
	F.218950	Block, distance, for cleat, at feet spray pipe, port ...	1	LFS.21		
9913	Thos. Boorn FD.6000/2	Bracelet	2	—	C.	
8982	F.222258	Bracket, mounting, for front light spray pipe, port	1	—	C.	
8983	F.222259	Bracket, mounting, for front light spray pipe, starboard	1	—	C.	
	A.214111	Bracket, securing pipes, at duct aft of frame 12 ...	1	S.3		
8978	K.A.C. C.4370/B/1	Clamp, pipe, Mk. 2	6	—	C.	NM.1
8979	K.A.C. C.4370/B/1 $\frac{1}{2}$ -1 $\frac{1}{2}$	Clamp, pipe, Mk. 2	12	—	C.	NM.1
8980	K.A.C. C.4370/B/1 $\frac{1}{2}$ -2	Clamp, pipe, Mk. 2	12	—	C.	NM.1
	F.218951	Clamp, securing feet spray pipe, port	1	LFS.21		
9006	F.213578	Clip, securing flexible pipe to hood spray	4	S.3	C.	
	F.214107	Clip, securing pipe bracket on duct aft of frame 12	2	S.3		
8981	F.214307	Clip, securing flexible pipe, frame 14 to floor connection	1	S.3	C.	NM.1
	F.230868	Clip, pipe support	1	—		
	Std.2045/49/20	Clip, sleeved	1	—		
	Std.2045/65/20	Clip, sleeved	1	—		
	Std.2045/42/22	Clip, sleeved (Mod. 779)	1	—		
	Std.2046/65/20	Clip, sleeved (AS.840/91)	1	—		
	Std.2046/89/20	Clip, sleeved	5	—		
	Std.2046/60/20	Clip, sleeved	1	—		
	Std.851/44	Clip, support, $\frac{7}{16}$ " wide \times 22 S.W.G. \times 4-4" long ...	1	DTD.610		
	Std.851/74	Clip, support, $\frac{7}{16}$ " wide \times 22 S.W.G. \times 7-4" long ...	2	DTD.610		
1366	Std.1682/10	Clip, pipe coupling	2	S.3	C.	5
924	Std.1682/12	Clip, pipe coupling	10	S.3	C.	5
27KD/10	Normalair 504600	Connection, ground pressurising	1	—	C.	
27UA/515	Sir George Godfrey Ltd. 23782	Coupling, drain vent	1	—	C.	
	A.214482	Coupling, for flexible pipe	2	L.56.C		
2790	A.213916 F.179155	Duct, ground pressurising, frame 1C to frame 3	1	S.3	MR/C	NM.2
	A.213917	Duct, ground pressurising, frame 3 to frame 6	1	—		
8984	F.213851	End, fork	1	S.96.B	C.	NM.1
27UA/891	Sir George Godfrey Ltd. 103441	Extractor, water, WE30/Mk. 7	1	—	A.	
	Sir George Godfrey Ltd. 103554	Gaiter, lagging for water extractor (AS.830/50) ...	1	—		
1375	A.182801	Guard, for ground pressurising duct	1	—	C.	NM.2
	E.230560	HOOD, SEAL, EXTRACTOR VALVE AND SUPPLY PIPES, ASSEMBLY (Mod. 803)	—	—		
4585	F.202581	Block, clamp	5	LFS.21	C.	NM.2
4586	F.202582	Block, clamp	2	LFS.21	C.	NM.2
8985	F.213999	Block, clamp	2	LFS.21	C.	NM.2
8986	F.214020	Block, clamp	1	LFS.21	C.	NM.2
8987	F.214021	Block, clamp	2	LFS.21	C.	NM.2
8988	F.214025	Block, clamp	1	LFS.21	C.	NM.2

SERVICES—PRESSURISATION FRONT FUSELAGE

Ref. No.	Part No.	Description	No. Off	Material Specification	M.R.	Plate No.		
					Class of Store			
		1	2	3	4	5		
9660	F.226450	Block, clamp	1	LFS.21	C.	NM 2		
1370	F 187763	Cap, special	3	DTD.364	C.	NM.2		
8989	F.214065	Chain	3	—	C.			
27KD/26	Normalair 504376/M Std.2046/22/26	Clamp	2	—	C.			
		Clip, securing pipes	1	S.510 or S.511				
	A.219237	Connector, joint, hood sealing, group	1	—				
8990	F.212941	Seating	1	Rubber	C.	NM.2		
27KD/510	Normalair 509930	Controller, pressure, type A	1	—	A.			
1360	A.185338	Coupling	1	DTD.364	C.	NM.2		
	F.214069	Cover	2	—				
	A.183593	Guard	1	DTD.610				
	F.187482	Label	1	L.59				
2144	Std.1231/3	Lug, locking	3	S.3	C.	4		
	† F.213919	Pipe, frame 6 to controller	1	DTD.253				
	† B.213254/5	Pipe, air supply, electro magnetic valve to bulkhead union	1	DTD.253				
	† B.213254/6	Pipe, air supply, electro magnetic valve to connection	1	DTD.253				
	† B.213254/7	Pipe, hood supply, frame 6 to aft of frame 7 ...	1	DTD.253				
	† B.213254/8	Pipe, hood supply, tee-piece to reducing valve	1	DTD.253				
	† B.213254/9	Pipe, hood supply, reducing valve to bulkhead connection	1	DTD.253				
	† B.213254/10	Pipe, hood supply, bulkhead union to electro magnetic valve	1	DTD.253				
	† B.213254/12	Pipe, hood supply, non return valve to connection	1	DTD.253				
	† B.213254/14	Pipe, air supply, aft of frame 12 to extractor valve	1	DTD.253				
	† B.213254/18	Pipe, hood supply, aft of frame 7 to aft of frame 8	1	DTD.253				
	† B.213254/19	Pipe, hood supply, aft of frame 8 to aft of frame 12	1	DTD.253				
	† B.213254/20	Pipe, hood supply, aft of frame 12 to tee-piece	1	DTD.253				
	† B.213254/21	Pipe, air supply, aft of frame 7 to aft of frame 8	1	DTD.253				
	† B.213254/22	Pipe, air supply, aft of frame 8 to aft of frame 12	1	DTD.253				
	† B.213254/23	Pipe, hood supply, electro magnetic valve to hood seal connection	1	DTD.253				
	† B.213254/24	Pipe, guard to frame 6	1	DTD.253				
	† B.213254/27	Pipe, frame 6 to pressure controller	1	DTD.253				
	† B.213254/32	Pipe, hood supply, connection to connection ...	1	DTD.253				
	† B.213254/33	Pipe, hood supply, connection to frame 18A ...	1	DTD.253				
	† B.213254/34	Pipe, hood supply, frame 18A to centre fuselage	1	DTD.253				
	† B.213254/36	Pipe, air supply, extractor valve to electro magnetic valve	1	DTD.253				
							† For details see Piping Chart	

Hunter T. Mk. 7
Issued with A/L No. 11

SERVICES—PRESSURISATION FRONT FUSELAGE

Ref. No.	Part No.	Description	No. Off	Material Specification	M.R. Class of Store	Plate No.
†	B.213254/37	Pipe, air supply, valve starboard to tee ...	1	DTD.253 or DTD.323		
†	B.213254/38	Pipe, air supply, bulkhead connection to tee ...	1	DTD.253 or DTD.323		
†	B.213254/42	Pipe, air supply, tee to discharge valve, port ...	1	DTD.253 or DTD.323		
†	B.213254/43	Pipe, air supply extractor valve to frame 7 (Mod. 741)	1	DTD.253		
	B.187402	Plate, locking ...	1	DTD.610		
	F.214064	Ring, "S" ...	1	Brass Wire		
27KD/29	Normalair 504372/M	Ring, sealing ...	2	—	C.	
27QA/144	Dowty GD.1307A	Seal, bonded ...	1	—	C.	
27QA/145	Dowty GD.1307B	Seal, bonded ...	4	—	C.	
27QA/148	Dowty GD.1307D	Seal, bonded ...	1	—	C.	
27QA/139	Dowty GD.1307-3	Seal, bonded ...	2	—	C.	
27QA/143	Dowty GD.1307-23	Seal, bonded ...	1	—	C.	
1371	F.182800	Stud ...	1	S.95.B	C.	NM.2
10892	Std.1509/12/038	Tube, distance $\frac{1}{4}$ " o/d x 20 S.W.G. x .38" long ...	2	T.4	C.	4
	Std.1509/23/060	Tube, distance $\frac{5}{16}$ " o/d x 17 S.W.G. x .60" long	1	T.4		4
	Std.1509/12/062	Tube, distance at frame 7, starboard (Mod. 741)	1	T.4		
1369	A.187762	Union, body, flanged ...	1	DTD.364	C.	NM.2
6332	B.205529	Valve, air extractor, group (Mod. 209) ...	1	—	A.	NM.2
1362	A.185216	Diaphragm ...	1	—	C.	NM.2
2144	Std.1231/3	Lug, locking ...	3	S.3	C.	4
27QA/145	Dowty GD.1307B	Seal, bonded ...	1	—	C.	
1363	F.172452	Spring ...	1	Ph. Br. Wire	C.	NM.2
1361	B.185213	Valve, air extractor, group ...	1	—	B.	NM.2
1362	A.185216	Diaphragm ...	1	—	C.	NM.2
2144	Std.1231/3	Lug, locking ...	3	S.3	C.	4
27QA/145	Dowty GD.1307.B	Seal, bonded ...	1	—	C.	
1363	F.172452	Spring ...	1	Ph. Br. Wire	C.	NM.2
27V/3453	Teddington Controls ES/A/390	Valve, electro-magnetic ...	1	—	A.	
	B.213147	VALVE, HOOD DE-SEAL, ASSEMBLY ...	—	—		
27V/4125	Teddington Controls ES/A/430	Valve, E.S. tropicalised ...	1	—	A.	
27VB/3455	Hymatic Eng. D.9205	Valve, non-return N.R.9 Mk. 6 ...	1	—	A.	
27VB/3454	Hymatic Eng. PS.29/4	Valve, reducing ...	1	—	A.	
27KD/960	Normalair 510710	Valve unit, 7/20 combined type X.7 ...	1	—	A.	
X 27KD/1649	Normalair 521210 B.232459 *	Valve unit, C/W restrictor (alternative to B.232459)	1	—	A.	
		Valve unit, C/W restrictor (Mod. 803) (alternative to Ref. 27KD/1649)	1	—		
20112	F.231542 * Std.1546/24/18	Restrictor ...	1	—	C.	
		Washer, profile ...	2	DTD.610		

† For details see Piping Chart

SERVICES—PRESSURISATION FRONT FUSELAGE

Ref. No.	Part No.	Description	No. Off					Material Specification	M.R. Class of Store	Plate No.
			1	2	3	4	5			
2144	Std.1231/3	Lug, locking						S.3	C.	4
9866	A.232079	Pipe, frame 18 to water separator (Mod. 803)						—	C.	NM.1
9865	A.232076	Pipe, water separator to non-return valve (Mod. 803)						—	C.	NM.1
10704	B.251101	Pipe, non-return valve to cabin feed, group (Mod. 1045)						—	B.	NM.1
	B.212654	Pipe, (less lagging), group						—		
27V/4813	Teddington Controls FHG/A/49	Element, sensing						—	C.	
11040	A.250536	Guard (Mod. 1045)						—	C.	
	F.211739	Plate, backing						—		
8993	F.211740	Washer, sealing						—	C.	
	B.212656	Pipe, connector pipe to spray pipes, port						—		
9867	A.232078	Pipe, frame 18 to valve (Mod. 803)						—	C.	
	B.212658	Pipe, frame 18 to connector pipe, port						—		
10107	B.234156	Pipe, to spray pipes (Mod. 779)						—	C.	
10251	B.212871	Pipe, to body spray, port						—	C.	
10252	B.212872	Pipe, to body spray, starboard						—	C.	
	A.212875	Pipe, feet spray, port						—		
	A.212876	Pipe, feet spray, starboard						—		
	B.213002	Pipe, to valve, starboard						—		
†	B.213254/28	Pipe, drain						—		
	A.213428	Pipe, ram air, frame 1C to frame 3						—		
	A.213915	Pipe, ram air, frame 3 to frame 6						—		
9861	C.213456/9	Pipe, flexible, frame 14 to hood spray, port (Mod. 803)						—	C.	NM.1
9862	C.213456/10	Pipe, flexible, frame 14 to hood spray, starboard (Mod. 803)						—	C.	NM.1
8996	C.213456/5	Pipe, flexible, beneath pilots floor, port						—	C.	NM.1
9863	C.213456/11	Pipe, flexible, frame 14 to floor connection, port (Mod. 803)						—	C.	NM.1
9864	C.213456/12	Pipe, flexible, frame 14 to floor connection, starboard (Mod. 803)						—	C.	NM.1
9666	C.213456/8	Pipe, flexible, beneath pilots floor, starboard...						—	C.	NM.1
	B.215957	Pipe, floor connection to frame 8, port						—		
	A.215959	Pipe, floor connection to frame 8, starboard						—		
10152	A.232377	Pipe, junction (B.212655 lagged) (Mod. 803) group						—	C.	
	B.212655	Pipe, junction (less lagging)						—		
	B.215958	Pipe, at frame 18, port						—		
	B.215960	Pipe, at frame 18, starboard						—		
	A.220231	Pipe, supply, to hood spray, port and starboard						—		
8999	B.221980	Pipe, front light spray, port						—	C.	NM.1
9000	B.221981	Pipe, front light spray, starboard						—	C.	NM.1
10108	B.235481	Pipe, quarter light spray, starboard (Mod. 779)						—	C.	NM.1
9859	B.232074	Pipe, quarter light spray, port (B.221982 lagged) (Mod. 803)						—	C.	NM.1
	C.232244	Pipes, body spray and controls, assembly (Mod. 803)						—		
10113	F.231037	Bracket, stop						—	C.	NM.1
10114	A.231045	Cable, control, port, group						—	B.	NM.1
10115	A.231046	Cable, control, starboard, group						—	B.	NM.1
	A.231045/1	Casing, outer (Bowden conduit B2)						—		
	A.231045/2	Member, inner (5 cwt. cable, W.11)						—		
557	F.171912	Nipple						Brass	C.	NM.1
	F.172899	Pin, taper						M.S.		
	Std.1522/2	Sleeve, outer						—		
	Std.1522/1	Stop, adjusting						—		

† For details see Piping Chart

SERVICES—PRESSURISATION FRONT FUSELAGE

Ref. No.	Part No.	Description	No. Off					Material Specification	M.R. Class of Store	Plate No.	
			1	2	3	4	5				
10120	A23.1052	Control, for butterfly valve ...						2	—	C.	NM.1
10116	B.228600	Duct, exit, port ...						1	BSS.265	C.	NM.1
10117	B.228601	Duct, exit, starboard ...						1	BSS.265	C.	NM.1
10118	A.228701	Duct, port ...						1	—	C.	NM.1
10119	A.228702	Duct, starboard ...						1	—	C.	NM.1
10274	A.236164 or	Louvre (AS.920/75) ...						2	—	C.	
10054	Thermotank AR.1½	Louvre, punkah... ..						2	—	B.	NM.1
4871	Std.1606/44/A8	Screw						6	Brass	C.	
10121	A.231024	Valve, butterfly, port, group ...						1	—	B.	NM.1
10122	A.231025	Valve, butterfly, starboard, group ...						1	—	B.	NM.1
	A.231026	Casing, port, group						1	—		
	A.231027	Casing, starboard, group						1	—		
10123	F.213411	Ring, sealing						2	DTD.5509/B	C.	NM.1
10124	F.205077	Ring, retaining						2	Rubber	C.	NM.1
	F.213405	Lever, at valve shaft						2	S.95.B		
	F.213404	Shaft, for valve						2	S.95.B		
10125	F.213407	Spring						1	Sp. St.	C.	NM.1
10126	F.213408	Spring						1	Sp. St.	C.	NM.1
10127	F.213409	Washer						2	L.72	C.	NM.1
10128	F.213410	Washer						2	L.72	C.	NM.1
	F.232245	Washer						2	Langite		
2791	F.187586	Plate, clamp						1	DTD.610	MR/C	NM.2
	A.213823	Rod, connecting						1	S.96.B		
5CZ/4901	Teddington Controls FLJ/A/2	Resistor, follow-up... ..						1	—	B.	
2792	F.187585	Ring, packing						1	Felt	MR/C	NM.2
9003	F.214120 →	Ring, sealing <i>CARBID PRESS PIPES</i>						2	Rubber	C.	
28F/17672	AS.5401	Ring, sealing, for pipe joint						6	—	C.	NM.1
28F/17675	AS.5402	Ring, sealing, for pipe joint						12	—	C.	NM.1
28F/18039	AS.5403	Ring, sealing, for pipe joint						14	—	C.	NM.1
27QA/139	Dowty GD.1307-3	Seal, bonded						6	—	C.	
1659	Std.1744/10	Sleeve						1	Rubber	C.	5
1715	Std.1744/12	Sleeve						5	Rubber	C.	5
1371	F.182800	Stud						6	S.95.B	C.	NM.2
680	F.185654	Support, pipe						2	LFS.21	C.	NM.1
3808	Std.1509/23/040	Tube, distance, ⅝" o/d × 17 S.W.G. × 40" long ...						2	T.4	MR/C	4
	Std.1509/23/060	Tube, distance, ⅝" o/d × 17 S.W.G. × 0-60" long ...						1	T.4		
	Std.1509/23/50	Tube, distance						1	T.4		
	B.211598	Valve, non-return, group						1	—		
669	F.185406	Pin, pivot						1	DTD.364		NM.2
7069	F.212314	Plate, valve						1	—	C.	NM.2
671	F.185336	Spring						1	Bronze	C.	NM.2
9565	B.211493	Valve, temperature control and actuator, group ...						1	—	A.	
5CW/307	Plessey CZ.54709/10/A	Actuator... ..						1	—	A.	
9004	A.211496	Lever, quadrant, group						1	—	B.	NM.1
2766	A.183331	Block, mounting						1	DTD.364	MR/C	NM.1
1354	F.183338	Bolt, shoulder						1	S.11	C.	NM.1
	A.211497	Lever, quadrant						1	—		NM.1
	B.211494	Valve						1	—		NM.1
1372	F.179156	Washer, taper						6	—	C.	NM.2
1373	F.179157	Washer, taper						2	LFS.21	C.	NM.2
—	Std.1547/22/12	Washer, radius (Make from 30B/1724)						4	L.72	—	4
9007	Std.1547/22/18	Washer, radius						11	DTD.610	C.	4
1374	F.174892	Washer, sealing						1	DTD.378A	C.	NM.2

SERVICES—PRESSURISATION FRONT FUSELAGE

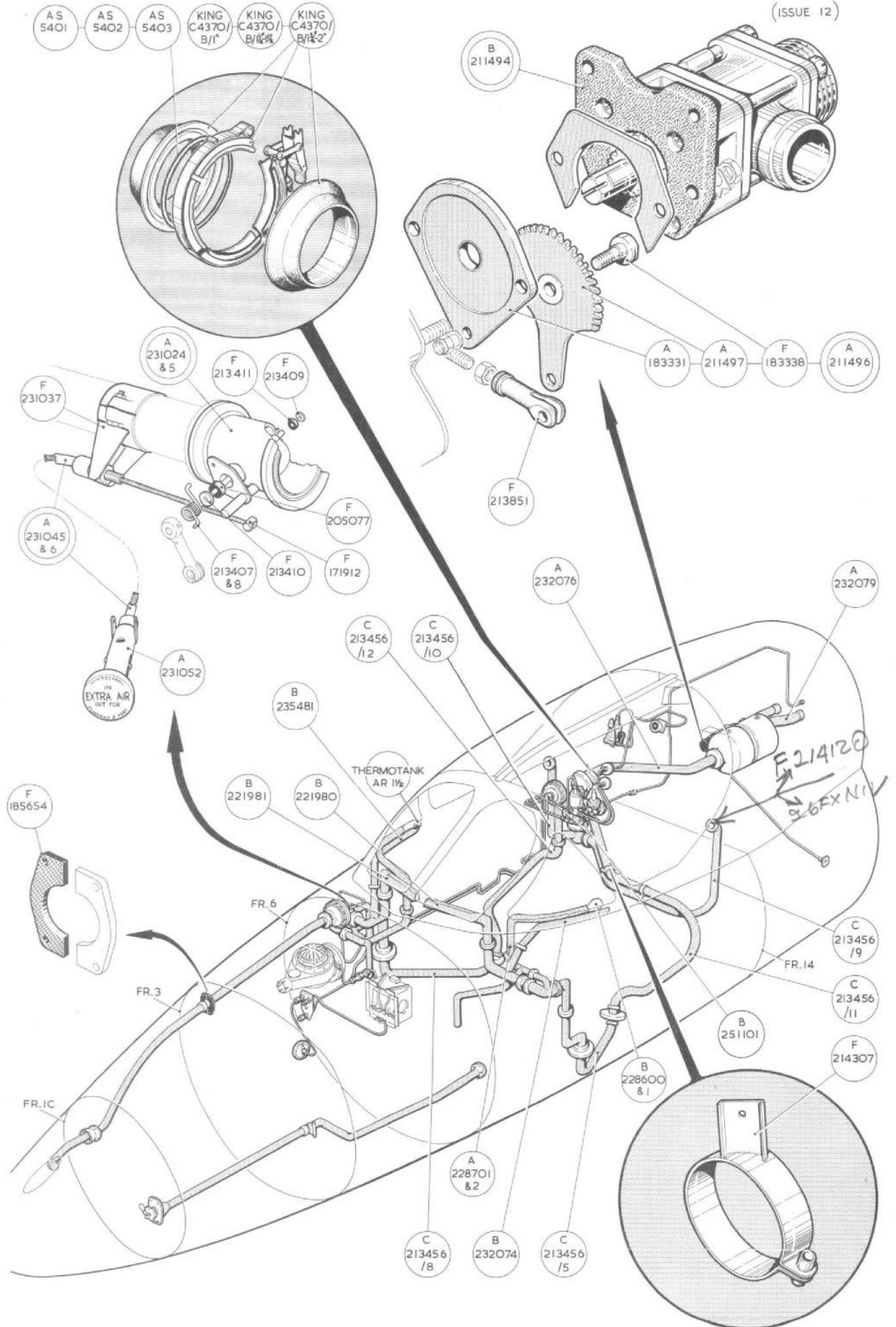
Ref. No.	Part No.	Description						No. Off	Material Specification	M.R. Class of Store	Plate No.
			1	2	3	4	5				
SUMMARY OF STOCK ITEMS											
28F/9501	AGS.1142.B	Adaptor, nipple	-	-	-	
28F/11777	AGS.1142.K	Adaptor, nipple	-	-	-	
28F/10019	AGS.1131.B	Banjo	-	-	-	
28D/1007971	A25.3.B	Bolt, 4 B.A.	-	-	-	
28D/1010658	A25.1.B	Bolt, 4 B.A.	-	-	-	
28D/1008149	A25.2.B	Bolt, 4 B.A.	-	-	-	
28D/9419462	A25.3.B	Bolt, 4 B.A.	-	-	-	
28D/9140638	A25.4.B	Bolt, 4 B.A.	-	-	-	
28D/1011006	A25.5.B	Bolt, 4 B.A.	-	-	-	
28D/1010029	A25.6.B	Bolt, 4 B.A.	-	-	-	
28D/1011011	A25.7.B	Bolt, 4 B.A.	-	-	-	
28D/1010142	A25.8.B	Bolt, 4 B.A.	-	-	-	
28D/9435711	A25.10.B	Bolt, 4 B.A.	-	-	-	
28D/9138768	A25.3.C	Bolt, 2 B.A.	-	-	-	
28D/9436920	A25.1.C	Bolt, 2 B.A.	-	-	-	
28D/9133011	A25.2.C	Bolt, 2 B.A.	-	-	-	
28D/9133012	A25.3.C	Bolt, 2 B.A.	-	-	-	
28D/12533	A25.5.C	Bolt, 2 B.A.	-	-	-	
28D/7002428	A25.6.C	Bolt, 2 B.A.	-	-	-	
28D/1010030	A25.7.C	Bolt, 2 B.A.	-	-	-	
28D/1011019	A25.8.C	Bolt, 2 B.A.	-	-	-	
28D/12534	A25.9.C	Bolt, 2 B.A.	-	-	-	
28D/1011024	A25.21.C	Bolt, 2 B.A.	-	-	-	
28D/1011027	A25.27.C	Bolt, 2 B.A.	-	-	-	
28D/1008151	A25.4.E	Bolt, 1/4" B.S.F.	-	-	-	
28D/8307	AS.1242.2.C	Bolt, 2 B.A.	-	-	-	
28F/10018	AGS.1135.B	Bolt, banjo	-	-	-	
28E/14147	AS.487/12	Clip	-	-	-	
28E/9129090	AGS.605/2	Clip, hose	-	-	-	
28E/14076	AS.3181/24/B	Clip	-	-	-	
28E/9130611	AS.5419/4	Clip	-	-	-	
28F/6353	AGS.952.B	Collar	-	-	-	
5K/3394	AS.3360.B6B	Lead, bonding	-	-	-	
5K/3408	AS.3360.B6C	Lead, bonding	-	-	-	
5K/3389	AS.3360.C4C	Lead, bonding	-	-	-	
28F/1011814	AGS.1140.A	Nipple, plug	-	-	-	
28F/9439950	AGS.1140.B	Nipple, plug	-	-	-	
28F/14123	AGS.1170.B	Nipple	-	-	-	
28M/9403520	A27.CP	Nut, 2 B.A.	-	-	-	
28M/12931	A27.ET	Nut, lock, 1/4" B.S.F.	-	-	-	
28F/9453689	AGS.1148.A	Nut, lock	-	-	-	
28F/9584	AGS.1148.B	Nut, lock	-	-	-	
28F/9879	AGS.1148.D	Nut, lock	-	-	-	
28M/10286	AGS.2001.A.1	Nut, 6 B.A.	-	-	-	
28M/10287	AGS.2001.B1	Nut, 4 B.A.	-	-	-	
28M/10327	AGS.2002.B1	Nut, 4 B.A.	-	-	-	
28M/10328	AGS.2002.C1	Nut, 2 B.A.	-	-	-	
28M/7002430	AGS.2002.E1	Nut, 1/4" B.S.F.	-	-	-	
28P/816	SP.4.Y.A.6	Pin	-	-	-	
28P/5495	SP4.ZB.3	Pin, shackle	-	-	-	
28P/19225	SP.90C.3	Pin, split	-	-	-	
28P/19152	SP.90C.4	Pin, split	-	-	-	
28P/19153	SP.90C.5	Pin	-	-	-	
28S/14005	A32.B.14	Screw, 4 B.A.	-	-	-	

SERVICES—PRESSURISATION FRONT FUSELAGE

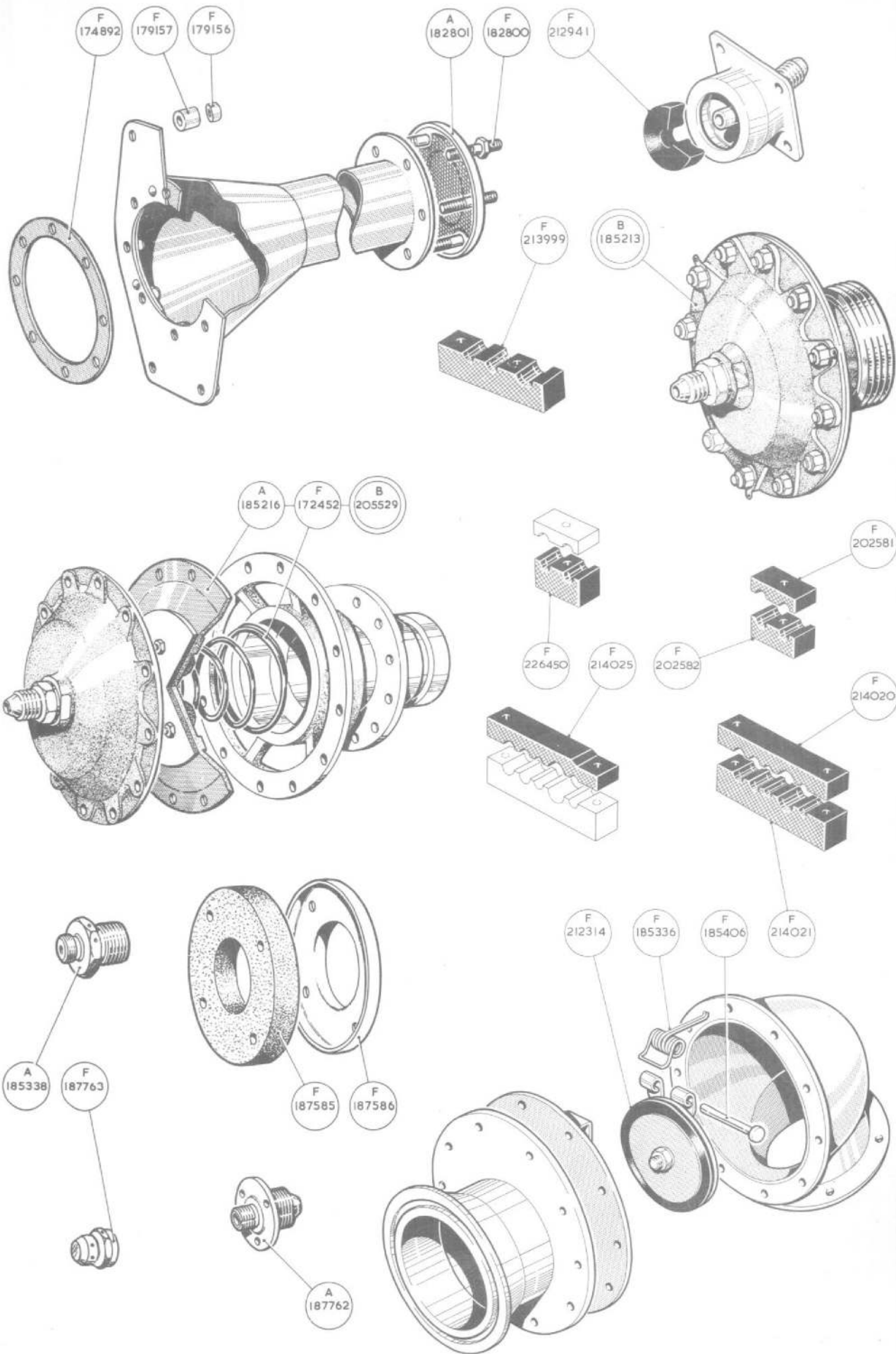
Ref. No.	Part No.	Description										No. Off	Material Specification	M.R. Class of Store	Plate No.
		1	2	3	4	5	6	7	8	9	10				
28F/9128936	AGS.904.A	Sleeve, outer	-	—	—	
28F/8011819	AGS.904.B	Sleeve, outer	-	—	—	
28F/9128943	AGS.1114.B	Sleeve	-	—	—	
28F/8011811	AGS.1118/B	Tee	-	—	—	
28F/1013402	AGS.1111.B	Union	-	—	—	
28F/9533	AGS.1145.B	Union	-	—	—	
28F/10510	AGS.1146.A	Union	-	—	—	
28F/9129567	AGS.1146.B	Union	-	—	—	
28F/11274	AGS.1115/2	Washer	-	—	—	
28F/9130664	AGS.1149.2	Washer-plate	-	—	—	
28F/9428453	AGS.1186.B	Washer, sealing	-	—	—	
28W/9625	AGS.568.D	Washer	-	—	—	
28W/9419454	SP.10.C	Washer, 2 B.A....	-	—	—	
28W/9419474	SP.15.B	Washer, 4 B.A....	-	—	—	
28W/9419475	SP.15.C	Washer, 2 B.A....	-	—	—	
28W/9419404	SP.16.C	Washer, 2 B.A....	-	—	—	

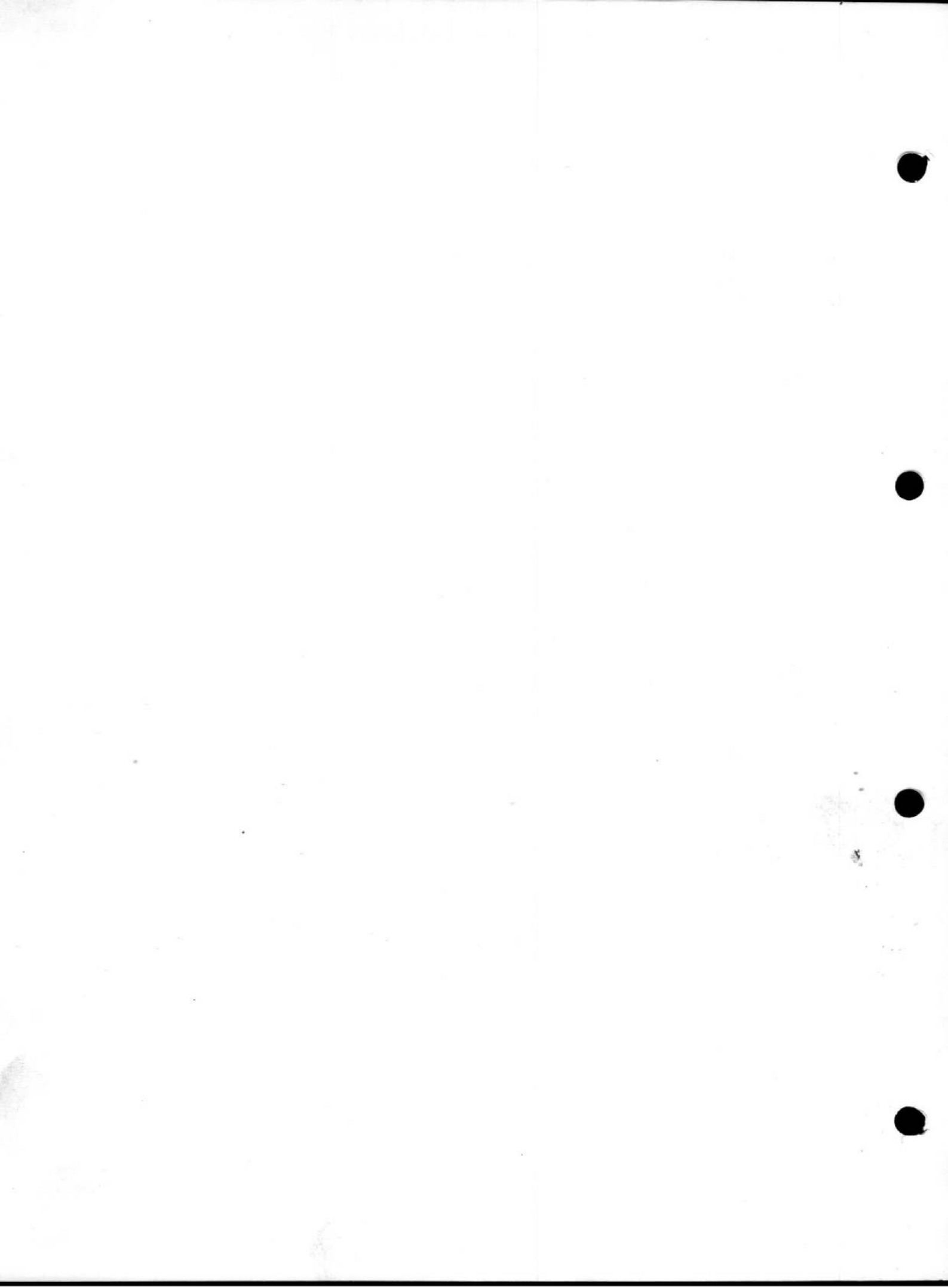
RESTRICTED

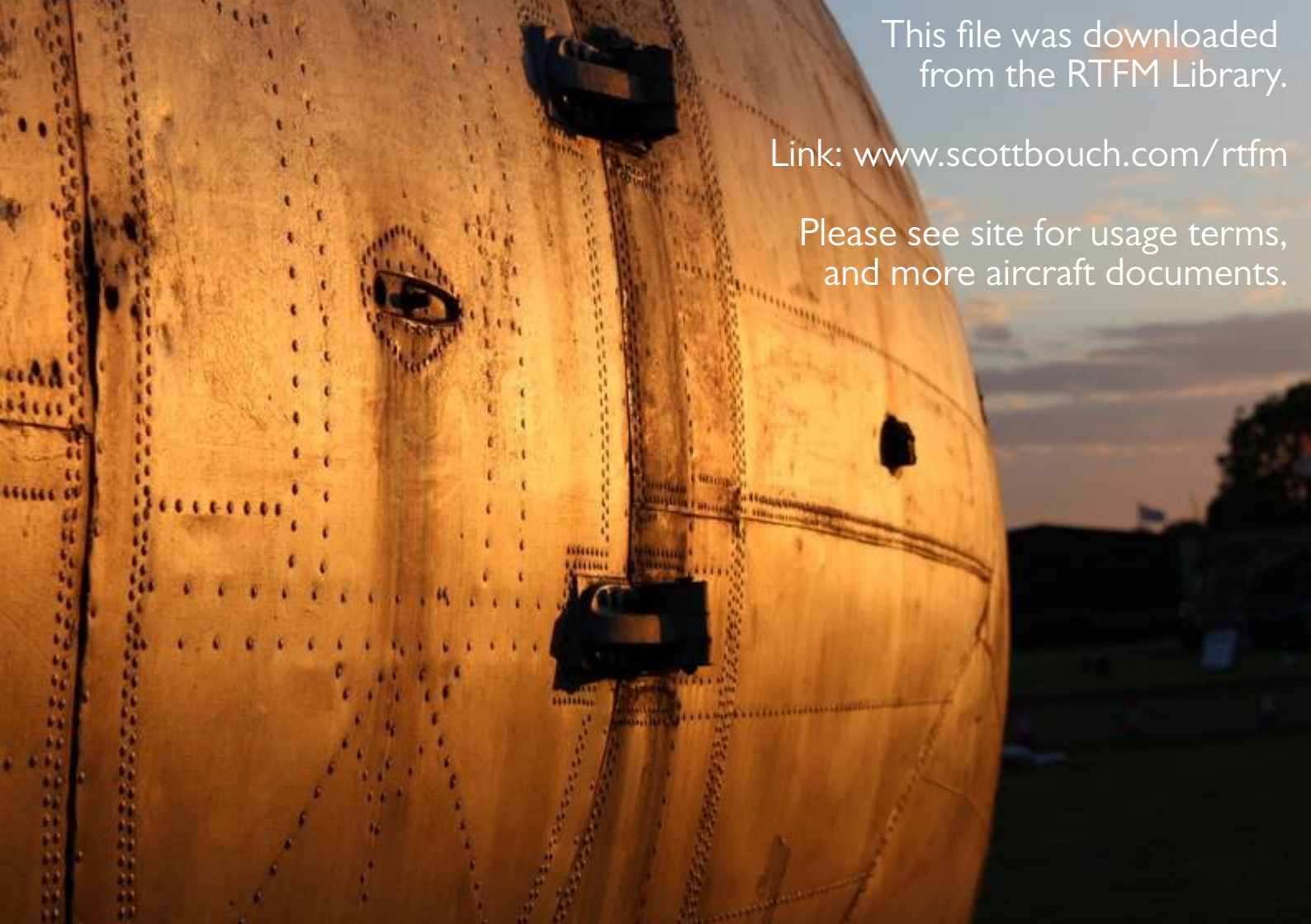
Ref. No.	Part No.	Description					No. Off	Material Specification	M.R. Class of Store	Plate No.
		1	2	3	4	5				











This file was downloaded
from the RTFM Library.

Link: www.scottbouch.com/rtfm

Please see site for usage terms,
and more aircraft documents.