

UNDERCARRIAGE—MAIN FAIRING

Ref. No.	Part No.	Description	No. Off	Material Specification	M.R. Class of Score	Plate No.
	D.187500-1	FAIRING, MAIN UNDERCARRIAGE, ASSEMBLY	-	-		
4219	F.191499	Bolt , banjo, for greaser pipe	2	-	C.	RB.1
7016	E.214862	Door , wheel, port, group (with trimming allowance)	1	-	A.	RB.2
7017	E.214863	Door , wheel, starboard, group (with trimming allowance)	1	-	A.	RB.2
484	F.187537	Bolt , attachment of jack anchorage shackle ...	2	S.95.B	C.	RB.2
4669	F.201476	Bolt , front and aft lock pin fittings	16	S.99.B	C.	RB.2
8394	A.211328	Fitting , pin, aft lock, port	1	DTD.473	C.	RB.2
8395	A.211329	Fitting , pin, aft lock, starboard	1	DTD.473	C.	RB.2
8392	A.211326	Fitting , pin, front lock, port	1	DTD.473	C.	RB.2
8393	A.211327	Fitting , pin, front lock, starboard	1	DTD.473	C.	RB.2
491	C.178792	Hinge , door, port	1	-	C.	RB.2
492	C.178793	Hinge , door, starboard	1	-	C.	RB.2
7018	A.212601	Lever , group	2	-	B.	RB.2
5772	F.202798	Bush	1	BSS.250	MR/C	RB.2
	Std.1221.Y.D.85	Pin	1	S.2		4
5773	F.201688	Roller	1	DTD.504	MR/C	RB.2
8213	F.212691	Roller	1	L.65	MR/C	
7885	F.214842	Plate , locking	2	L.72	C.	RB.2
493	F.187533	Shackle , jack anchorage, port	1	-	C.	RB.2
494	F.187534	Shackle , jack anchorage, starboard	1	-	C.	RB.2
495	F.187535	Shim , at aft lock pin fitting	QR	DTD.610	C.	RB.2
496	F.187536	Shim , at front lock pin fitting	QR	DTD.610	C.	RB.2
7824	F.206293	Shim , taper at aft lock pin fitting	QR	L.72	C.	
7882	F.206294	Shim , taper at front lock pin fitting	QR	L.72	C.	
8396	F.211330	Shim , at front lock pin fitting	QR	Shim Steel	C.	
8397	F.211331	Shim , at front lock pin fitting	QR	Shim Steel	C.	
8398	F.211332	Shim , at front lock pin fitting	QR	Shim Steel	C.	
8399	F.211333	Shim , at aft lock pin fitting	QR	Shim Steel	C.	
8400	F.211334	Shim , at aft lock pin fitting	QR	Shim Steel	C.	
8401	F.211335	Shim , at aft lock pin fitting	QR	Shim Steel	C.	
5775	F.201687	Tube , distance, at lever attachment	2	S.95.B	MR/C	RB.2
	Std.914/J/20	Washer , for pin through channel	2	S.1		
343	E.187463	Fairing , leg, port, group	1	-	A.	RB.1
344	E.187464	Fairing , leg, starboard, group	1	-	A.	RB.1
497	A.187467	Panel , access to locking pin attachment bolts ...	2	DTD.610	C.	RB.1
498	A.170012	Pin , attachment of fairing links	2	S.1	C.	RB.1
6101	A.208253	Pin , locking, port	1	-	C.	RB.1
6102	A.208254	Pin , locking, starboard	1	-	C.	RB.1
3927	Std.1208/75/32/ 70	Shim , at attachment of fairing	8	St. Steel	C.	4
1534	F.187496	Washer , serrated, for lock pin	2	S.3	C.	RB.1
8169	D.215617	Fairing , wheel, port, group (with trimming allowance) (Pre Mod. 795)	1	-	A.	
10083	D.235154	Fairing , wheel, port, group (with trimming allowance) (Mod. 795)	1	-	A.	RB.2
8170	D.215618	Fairing , wheel, starboard, group (with trimming allowance) (Pre Mod. 795)	1	-	A.	
10084	D.235155	Fairing , wheel, starboard, group (with trimming allowance) (Mod. 795)	1	-	A.	RB.2
	D.187155	DETAILS OF FAIRING, ASSEMBLY				
503	F.151366	Bolt , fairing attachment to undercarriage leg bracket	8	S.1	C.	RB.2
505	F.187218	Nut , clamp, fairing attachment to undercarriage leg bracket	8	S.92.B	C.	RB.2
4671	B.203598	Panel , access to brakes	2	L.72	C.	RB.2

UNDERCARRIAGE—MAIN FAIRING

Ref. No.	Part No.	Description	No. Off	Material Specification	M.R. Class of Store	Plate No.
509	F.151365	Plate, clamp, fairing attachment to undercarriage leg bracket	8	S.1	C.	RB.2
510	A.173027	Plate, fairing attachment to undercarriage leg bracket	8	S.92.B	C.	RB.2
511	F.151368	Sleeve, adjusting, fairing attachment to undercarriage leg bracket	8	S.2	C.	RB.2
512	F.151367	Washer, fairing attachment to undercarriage leg bracket	8	L.16	C.	RB.2
504	Palmer No. 74	Grommet (Mod. 795)	2	—	C.	
6168	Hellermann 2553	Grommet	2	—	C.	
	A.237408	Guard, mechanical recuperator "Port" (Mod. 795)	1	L.72		
	A.237409	Guard, mechanical recuperator "Starboard" (Mod. 795)	1	L.72		
506	A.187178	Panel, access to bleeder screw (Pre Mod. 795) ...	2	DTD.610	D.	RB.2
507	A.187180	Panel, access to jacking plug, port	1	DTD.610	C.	RB.2
508	A.187181	Panel, access to jacking plug, starboard	1	DTD.610	C.	RB.2
	B.235144	Plate, port (Mod. 795)	1	—		
	B.235145	Plate, starboard (Mod. 795)	1	—		
	Std.1546/24/12	Washer, profile (Mod. 795)	4	DTD.610		
341	D.186870	Flap, fairing, port, group (with trimming allowance)	1	—	A.	RB.1
342	D.186871	Flap, fairing, starboard, group (with trimming allowance)	1	—	A.	RB.1
513	F.187237	Bolt, attachment of link to bracket	2	S.95.B	C.	RB.1
514	A.186873	Bracket, link	2	DTD.166	C.	RB.1
515†	A.187118	Hinge, front port, rear starboard	2	—	C.	RB.1
516†	A.187119	Hinge, front starboard, rear port	2	—	C.	RB.1
	B.182128	Hinge, flap and leg fairing, port, group	1	—		
	B.182129	Hinge, flap and leg fairing, starboard, group	1	—		
3985	A.197874	Bracket, front, leg fairing, port	1	Stmpg.	C.	RB.1
3986	A.197875	Bracket, front, leg fairing, starboard	1	Stmpg.	C.	RB.1
3987	A.197876	Bracket, rear, leg, fairing, port	1	Stmpg.	C.	RB.1
3988	A.197877	Bracket, rear, leg, fairing, starboard	1	Stmpg.	C.	RB.1
9135	B.182107	Hinge, flap, port	1	—	MR/C	RB.1
6957	B.182108	Hinge, flap, starboard	1	—	C.	RB.1
549	F.182111	Link, flap, hinge, forward, port	2	S.2	C.	RB.1
550	F.182112	Link, flap, hinge, forward, starboard	2	S.2	C.	RB.1
6171	F.202596	Link, hinge, rear, port and starboard	4	Casting or S.96.B	C.	RB.1
551	F.189654	Pin, flap, hinge, front, $\frac{3}{16}$ " dia. x 3-80" long ...	2	St. Stl.	C.	RB.1
552	F.189655	Pin, flap, hinge, rear, $\frac{3}{16}$ " dia. x 3-35" long ...	2	St. Stl.	C.	RB.1
6172	F.207897	Shim, for hinge bracket	4	Lam. Alum.	C.	
517	A.187321	Link, undercarriage fairing flap, group	2	—	C.	RB.1
518	F.151348	Bolt, lubricating	1	S.94.B	C.	RB.1
519	F.187323	Shackle	1	S.1	C.	RB.1
520	B.187328	Link, leg fairing, group	4	—	C.	RB.1
	A.187325	Bearing, rod end	1	—		
	A.187326	Bearing, rod end	1	—		
	A.187327	Rod, connecting... ..	1	—		
521	F.187324	Pin, hinge, fairing flap	2	S.3	C.	RB.1
522	F.171532	Pin, hinge, leg fairing	4	S.95.B	C.	RB.1
8299	A.206280	Pipe, greaser, port	1	—	C.	RB.1
8300	A.206281	Pipe, greaser, starboard	1	—	C.	RB.1
3983	F.197954	Plate, fairing flap hinge pin retaining	2	DTD.610	C.	RB.1
3984	F.197955	Plate, fairing flap hinge pin retaining	2	DTD.610	C.	RB.1
27QA/490	Dowty SP.915/3	Seal, for greaser pipe banjo	4	—	C.	
4222	Std.915/U/18	Washer, for greaser pipe... ..	2	DTD.610	C.	4

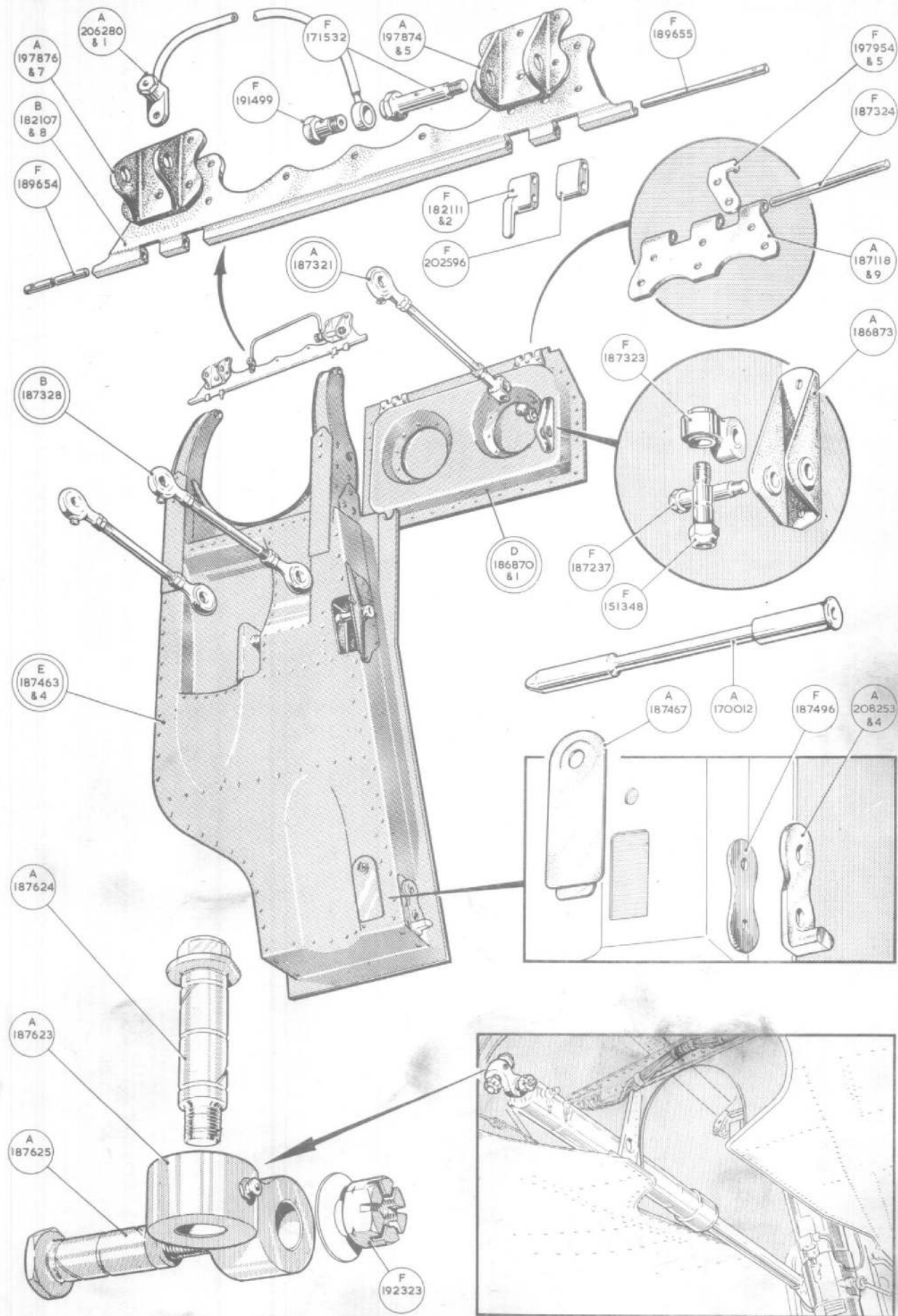
UNDERCARRIAGE—MAIN FAIRING

Ref. No.	Part No.	Description					No. Off	Material Specification	M.R. Class of Store	Plate No.
		1	2	3	4	5				
SUMMARY OF STOCK ITEMS										
28N/	AGS.636/2	Ball	—	—
28D/1010658	A25.1.B	Bolt, 4 B.A.	—	—
28D/1008149	A25.2.B	Bolt, 4 B.A.	—	—
28D/1010030	A25.7.C	Bolt, 2 B.A.	—	—
28D/1011019	A25.8.C	Bolt, 2 B.A.	—	—
28D/8307	AS.1242/2C	Bolt, 2 B.A.	—	—
28D/8308	AS.1242/3C	Bolt, 2 B.A.	—	—
28D/8310	AS.1242/6C	Bolt, 2 B.A.	—	—
28D/1007978	AS.1242.7.C	Bolt, 2 B.A.	—	—
28D/8312	AS.1242.8C	Bolt, 2 B.A.	—	—
28D/11439	AS.1242/16G	Bolt, $\frac{5}{16}$" B.S.F.	—	—
28M/8101	AGS.572.C	Nut,	—	—
28M/5240	A14.JB.	Nut, $\frac{3}{8}$" B.S.F.	—	—
28M/5227	A14.JB.L	Nut, $\frac{3}{8}$" B.S.F.	—	—
28M/753	A16.Y.CT	Nut, 2 B.A.	—	—
28M/770	A16.Y.GS	Nut, $\frac{5}{16}$" B.S.F.	—	—
28M/1006473	A27.CT	Nut, 2 B.A.	—	—
28M/1011467	A27.ES	Nut, $\frac{1}{2}$" B.S.F.	—	—
28M/13122	A27.GS	Nut, $\frac{5}{16}$" B.S.F.	—	—
28M/10288	AGS.2001/C1	Nut, 2 B.A.	—	—
28M/10327	AGS.2002/B/1	Nut, 4 B.A.	—	—
28N/9156370	SP.21	Nipple, lubricating	—	—
28P/837	SP.4.Y.B11	Pin	—	—
28P/838	SP.4.Y.B12	Pin	—	—
28P/1087	SP.4.Y.G.20	Pin	—	—
28W/9419474	SP.15.B	Washer, 4 B.A....	—	—
28W/9419475	SP.15.C	Washer, 2 B.A.	—	—
28W/9419405	SP.15.E	Washer, $\frac{1}{2}$" dia.	—	—
28W/9419476	SP.15.G	Washer, $\frac{3}{16}$" dja.	—	—
28W/9419404	SP.16.C	Washer	—	—
28W/9416192	SP.41.G	Washer, tab	—	—

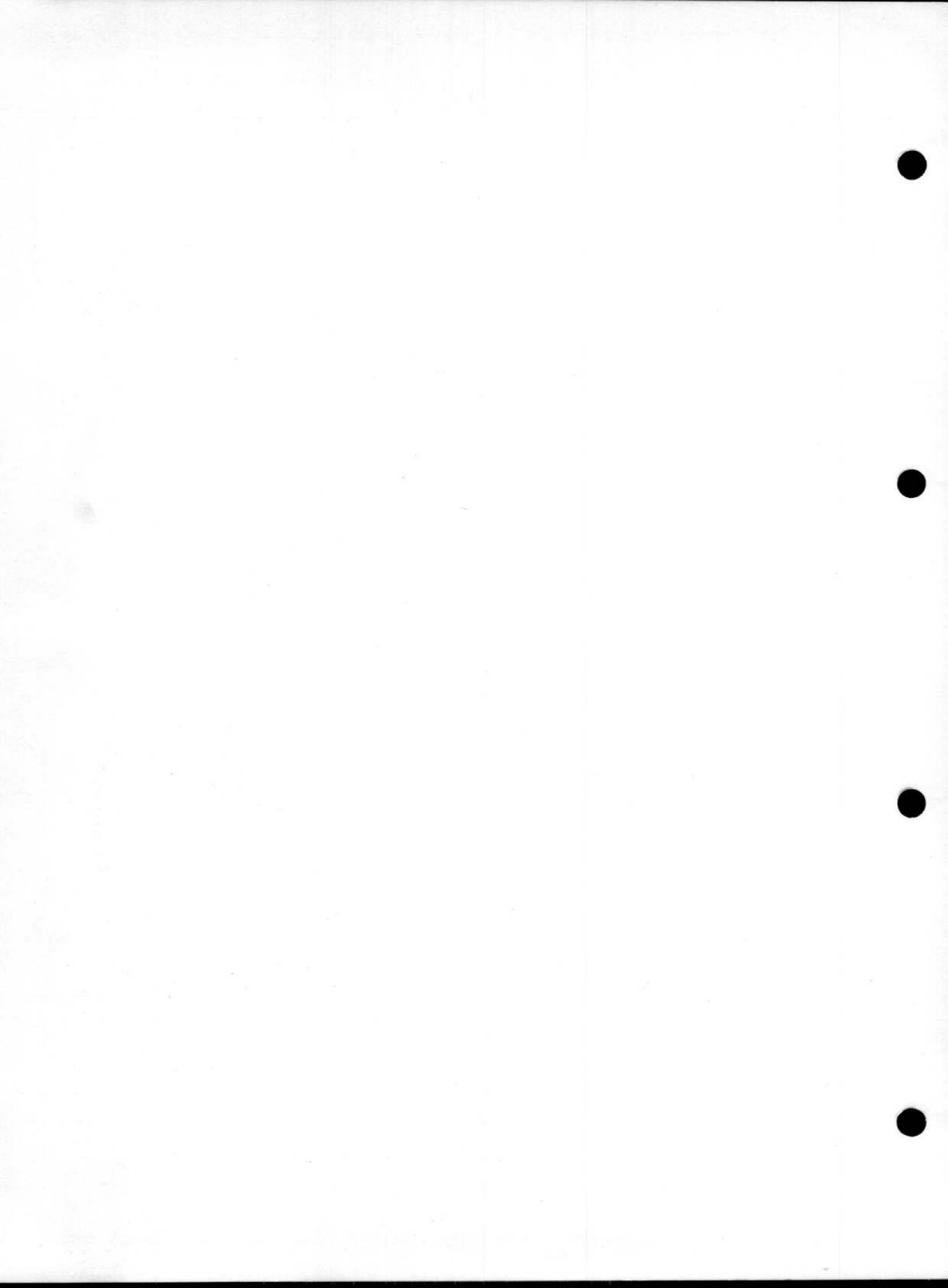
RESTRICTED

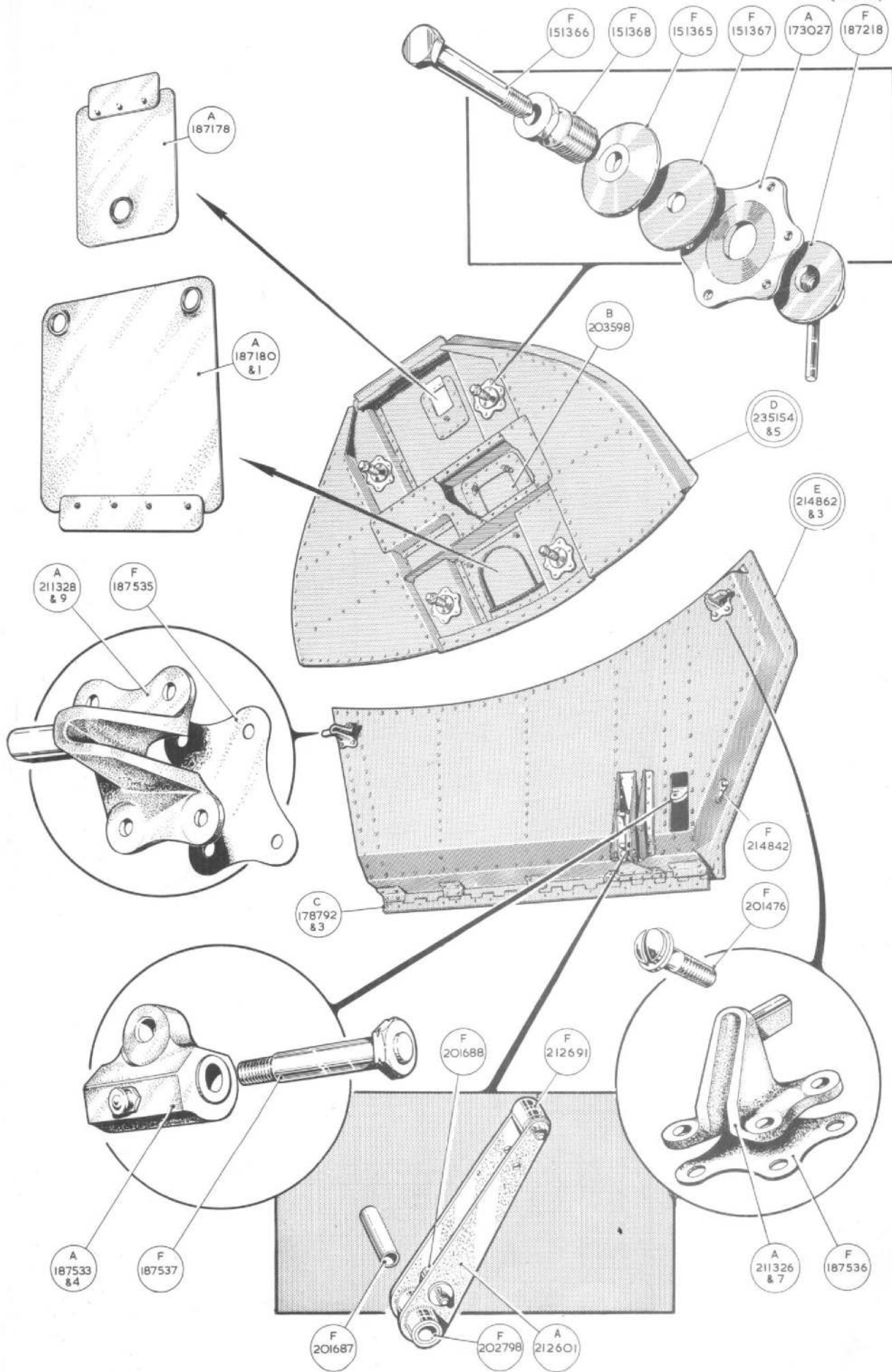
Ref. No.	Part No.	Description					No. Off	Material Specification	M.R. Class of Store	Plate No.
		1	2	3	4	5				

RESTRICTED

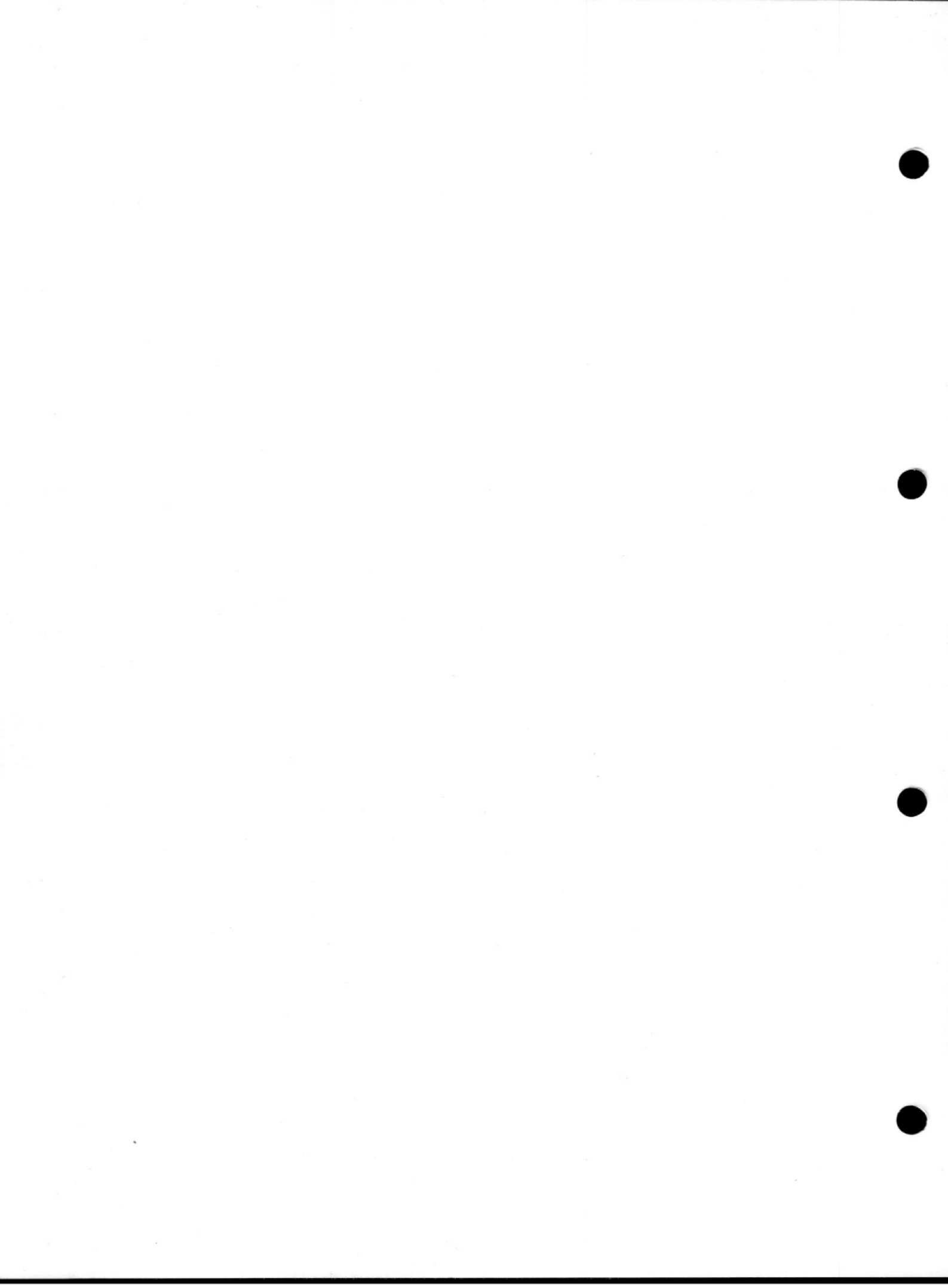


MAIN UNDERCARRIAGE





MAIN UNDERCARRIAGE



This file was downloaded
from the RTFM Library.

Link: www.scottbouch.com/rtfm

Please see site for usage terms,
and more aircraft documents.



LIGHTNING MK. 1
COVER PITOT HEAD
EB2-88-511