

MEMORANDUM OF INSTRUCTIONS

1. CONTENTS This Schedule contains a list of Dunlop parts embodied in the SEA VIXEN Airframe (All Service Marks).
2. DEMANDS
- (a) Normally only parts which bear a reference number are to be demanded but if other parts are required the part number must be shown on the demand.
 - (b) Demands for parts to make an airframe serviceable must invariably bear the serial number of the airframe.
 - (c) Certain parts in this schedule do not bear reference numbers. These parts, if required, should be made up from local resources or if the manufacture of such parts is beyond the capacity of the unit, the parts are to be demanded, and the demand endorsed "Unable to manufacture locally".
 - (d) Parts quoted in this schedule are held in various Vocabulary Stores sections, the relevant section and reference number being shown in the Reference Number column.
 - (e) Demands are to be made out strictly in accordance with the procedure laid down in Air Publication 830, Volume I.
3. EXHAUSTION OF EXISTING STOCKS An asterisk placed in the Part Number column against an item or group, indicates that further purchases to that design will not be made, but that existing stocks are to be used until exhausted.
4. COMPILATION OF TEXT
- The multi-indentation system has been used in which the main assembly, consisting of sub-assemblies, groups and detail items, indicates their relationship by the indentation of the descriptive titles. This indentation is in accordance with the following outlines :—
- (a) Assemblies, separate Groups and detail parts, start at the left-hand margin.
 - (b) First division—sub-assemblies, groups or detail of the Assembly breakdown listed in the preceding paragraph are indented one column.
 - (c) Second division—groups or details of the first division sub-assemblies or groups are indented one further column.
 - (d) Component items.
5. NUMBERS OFF
- Numerals in the No. Off column adjacent to the Description column indicate the quantity used for one only of that particular assembly, sub-assembly or group in which they occur.
- Numerals in the column under the heading Mark Applicability and No. Off Per Aircraft, indicate the quantity of each assembly, separate group or detail used per Mark of Aircraft. Where details of the quantities used have not been available to date of compilation of this Schedule, the applicability is indicated by "X".

6. SERVICING TOOLS ...
Special tools, if required, and where details are available for servicing any Dunlop component listed in this schedule, are shown in composite form at the end of the text.
7. MAJOR REPAIRS ...
The letter "M" against a group or part indicates that the item is required only for the major repair purposes and will not normally be held in stock by units other than those carrying out Major Repair Work.
8. AMENDMENTS ...
to this schedule will be published by means of Amendment Lists. These Amendment Lists will be numbered consecutively, and Commanding Officers are to issue the necessary instructions for the upkeep of the schedule and the completion of the Amendment Certificate. It is intended, where practicable, to amend the schedule by the insertion of reprinted pages. A Statement of all Amendment Lists distributed during the quarter will be published in Air Ministry Orders.
9. PART NUMBERS ...
When an item or group does not bear a part number in the part number column the drawing on which the item or group is assembled is quoted in parenthesis after the description. This part number, however, must not be quoted on demands.
10. INCORPORATED MODS. AND AMENDMENTS
See Modification and Amendment Record Sheet commencing on Page v.
11. SERIAL NUMBER ...
This schedule is serially numbered and is to be accounted for in accordance with A.M.O. A.772/47.

THE AMENDMENTS PROMULGATED IN THE UNDERMENTIONED
AMENDMENT LISTS HAVE BEEN MADE IN THIS SCHEDULE

SEA VIXEN

Amendment List		Amendments made by	Date
Number	Date		
1	Dec 1958	} <i>Briggs</i>	} 23 6-72
2	July 1959		
3	Nov. 1960		
4	Dec. 1961		
5	Nov. 1962		
6	Jan. 1963		
7	June 1964		
8	Dec 1965		
9	August 1967		

**THE AMENDMENTS PROMULGATED IN THE UNDERMENTIONED
AMENDMENT LISTS HAVE BEEN MADE IN THIS SCHEDULE
SEA VIXEN**

Amendment List		Amendments made by	Date
Number	Date		

MODIFICATION AND AMENDMENT SHEET

SEA VIXEN

Dunlop Mod. No.	Aircraft Mod. No.	A.L. No.	Dunlop Mod. No.	Aircraft Mod. No.	A.L. No.	Dunlop Mod. No.	Aircraft Mod. No.	A.L. No.	Dunlop Mod. No.	Aircraft Mod. No.	A.L. No.
2480(M)		†	3627(M)		3	6003(A)		N.A.	22859(A)		†
GE.			3636(M)		5	6929(A)		N.A.	22997(A)		†
2640(M)		2	3638(M)		3	7385(A)		N.A.	22998(A)		†
8824(M)		N.A.	3649(M)		4	7403(A)		N.A.	23070(A)		†
			3707(M)		3	7456(A)		N.A.	23106(A)		†
2737(M)		†	3712(M)		4	7463(A)		N.A.	23161(A)		N.A.
2740(M)		†	3728(M)		4	7679(A)		N.A.	23192(A)		C
2854(M)		†	3729(M)		4				23255(A)		N.A.
2884(M)		†	3746(M)		4				23280(A)		N.A.
2890(M)		N.A.				20146(A)		N.A.	23285(A)		N.A.
			3751(M)		5	20158(A)		N.A.	23290(A)		†
2917(M)		†				20412(A)		N.A.	23334(A)		N.A.
2920(M)		†	3783(M)		N.A.	20439(A)		N.A.	23348(A)		†
2924(M)		†				20440(A)		N.A.	23349(A)		†
			3859(M)		4	20441(A)		†	23376(A)		†
2953(M)		2				20442(A)		†	23390(A)		†
2954(M)		1	3880(M)		4	20947(A)		†	23415(A)		†
2959(M)		†				21022(A)		N.A.	23416(A)		†
2964(M)		1	3886(M)		5	21053(A)		†	23433(A)		3
						21129(A)		N.A.	23434(A)		N.A.
2982(M)		1	3891(M)		N.A.	21137(A)		N.A.	23437(A)		N.A.
3024(M)		N.A.				21372(A)		N.A.	23459(A)		†
3025(M)		†				21405(A)		N.A.	23460(A)		†
3048(M)		N.A.				21454(A)		†	23525(A)		N.A.
3114(M)		1	3953(M)		N.A.	21458(A)		N.A.	23528(A)		N.A.
3121(M)		†	3964(M)		7	21638(A)		1	23529(A)		3
3132(M)		1				21733(A)		2	23532(A)		N.A.
3212(M)		1	4043(M)		N.A.	21681(A)		N.A.	23533(A)		N.A.
3216(M)		2				21756(A)		3	23543(A)		N.A.
3234(M)		1	4085(M)		5	21899(A)		†	23629(A)		†
3236(M)		N.A.				22010(A)		†	23795(A)		N.A.
3298(M)		N.A.	4086(M)		5	22047(A)		N.A.	23805(A)		†
3354(M)		1	4087(M)		5	22076(A)		†	23811(A)		N.A.
3355(M)		3	4089(M)		5	22133(A)		N.A.	23903(A)		†
3392(M)		3				22399(A)		†	24109(A)		†
3401(M)		5				22413(A)		N.A.			†
3413(M)		N.A.				22513(A)		N.A.	24261(A)		1
3478(M)		2				22526(A)		†	24281(A)		N.A.
3489(M)		3				22621(A)		3			
3511(M)		4				22640(A)		†			
3563(M)		2				22714(A)		C			
3570(M)		2	4265(M)		7	22760(A)		N.A.			
3585(M)		2				22786(A)		N.A.			
3608(M)		N.A.				22787(A)		N.A.			
3619(M)		N.A.	4351(M)		8	22802(A)		†			
		9	M59(A)		8	22825(A)		N.A.			

† Incorporated in initial issue of Schedule.
 N.A. Modification/Amendment not applicable to this Schedule.
 C. Modification/Amendment cancelled.
 (A) Amendment.
 (M) Modification.

MODIFICATION AND AMENDMENT SHEET

SEA VIXEN

Dunlop Mod. No.	Aircraft Mod. No.	A.L. No.	Dunlop Mod. No.	Aircraft Mod. No.	A.L. No.	Dunlop Mod. No.	Aircraft Mod. No.	A.L. No.	Dunlop Mod. No.	Aircraft Mod. No.	A.L. No.
24359(A)		N.A.	25647(A)		2	27216(A)		N.A.	28472(A)		N.A.
24360(A)		N.A.	25650(A)		2	27264(A)		N.A.			
24376(A)		N.A.	25726(A)		3	27288(A)		N.A.	28497(A)		7
24481(A)		2	25791(A)		2	27299(A)		5			
24483(A)		N.A.	25797(A)		2	27350(A)		N.A.			
24484(A)		1	25814(A)		2	27361(A)		5			
24485(A)		1	25863(A)		N.A.	27408(A)		N.A.	28587(A)		†
24486(A)		1	26069(A)		3						
24488(A)		N.A.	26086(A)		N.A.	27587(A)		5			
24489(A)		2	26146(A)		N.A.						
24492(A)		1	26151(A)		N.A.	27596(A)		5	28616(A)		7
24493(A)		N.A.	26152(A)		3						
24494(A)		1	26253(A)		N.A.	27632(A)		†			
24496(A)		1	26349(A)		N.A.						
24499(A)		N.A.	26354(A)		N.A.	27715(A)		N.A.	28658(A)		7
24501(A)		N.A.	26366(A)		N.A.	27716(A)		N.A.			
24518(A)		1	26420(A)		3	27767(A)		5			
24544(A)		N.A.	26422(A)		3						
24640(A)		N.A.	26423(A)		3	27967(A)		N.A.	28718(A)		7
24734(A)		N.A.	26456(A)		3						
24751(A)		N.A.	26467(A)		N.A.	28006(A)		5			
24756(A)		N.A.	26508(A)		N.A.						
24768(A)		†	26585(A)		1	28025(A)		N.A.	28821(A)		N.A.
24870(A)		N.A.	26598(A)		4						
24939(A)		N.A.	26627(A)		N.A.	28155(A)		5			
25014(A)		2	26629(A)		4						
25018(A)		1	26668(A)		N.A.	28208(A)		5	28841(A)		N.A.
25019(A)		1	26716(A)		3						
25023(A)		1	26735(A)		N.A.						
25214(A)		1	26804(A)		4	27718(A)		N.A.			
25217(A)		1	26813(A)		4						
25218(A)		C	26834(A)		N.A.				29090(A)		8
25219(A)		1	26836(A)		N.A.	27743(A)		N.A.			
25221(A)		N.A.	26842(A)		N.A.						
25231(A)		3	26861(A)		4						
25295(A)		2				27957(A)		N.A.			
25329(A)		2	26914(A)		4				29306(A)		8
25406(A)		N.A.	26920(A)		4				29442(A)		9
25453(A)		2	26944(A)		4						
25526(A)		N.A.				28041(A)		N.A.			
25547(A)		N.A.	27017(A)		N.A.						
25632(A)		C	27037(A)		4				29545(A)		N.A.
25638(A)		2	27049(A)		N.A.	28218(A)		N.A.			
			27054(A)		N.A.	28304(A)		7	29709(A)		N.A.
			27098(A)		4	28334(A)		7	30085(A)		N.A.
			27105(A)		5	28398(A)		7	30168(A)		N.A.
			27106(A)		N.A.				30361(A)		N.A.
									30414(A)		N.A.
									30520(A)		N.A.
									30620(A)		N.A.
									30700(A)		N.A.
									30744(A)		N.A.
									30750(A)		N.A.
									30800(A)		N.A.
									31002(A)		N.A.

† Incorporated in initial issue of Schedule.
 N.A. Modification/Amendment not applicable to this Schedule.
 C. Modification/Amendment cancelled.
 (A) Amendment.
 (M) Modification.

RESTRICTED

Ref. No.	Part No.	Description	No. Off	Matl. Spec.	Cl. of St.	Mark Applicability and No. Off Per Aircraft														
						M.R.	FAW 1	FAW 2												
27VA/5735	AC.11846	BOTTLE, AIR, ASSEMBLY (Dunlop Mod. 3121) ...	—	—	P	3	2													
		Spares for :—																		
27VA/5736	ACO.26832	ADAPTOR, "T" PIECE, GROUP ...	1	—	C															
27VA/5417	ACO.23893	CONNECTION, 1/4" BSP, GROUP ...	2	—	C															
27VA/5737	ACO.26083	Plug, end ...	1	—	C															
28F/12049	AGS.1186/F	Seal, bonded, plug end ...	2	—	C															
27VA/5805	ACO.24318	Sleeve ...	2	S.61, S.62	C															
27VA/5367	ACO.22671	Washer, sealing, connection ...	2	—	C															
30A/3055	—	Wire, locking, 22 SWG ...	QR	DTD.189	C															
		TRANSPORTATION & STORAGE ITEMS																		
28P/18227	SP.93006	Pin, split ...	2	—	C															
28F/8212	AGS.1140.B	Plug, nipple ...	2	—	C															
28F/18006	AGS.2111	Sleeve, outer ...	2	—	C															
27WW/686	ACM.20674	BLADE, WINDSCREEN WIPER, ASSEMBLY, COMPLETE	—	—	C	1														

SEA VIXEN

ISSUED WITH AMENDMENT LIST No 5

RESTRICTED

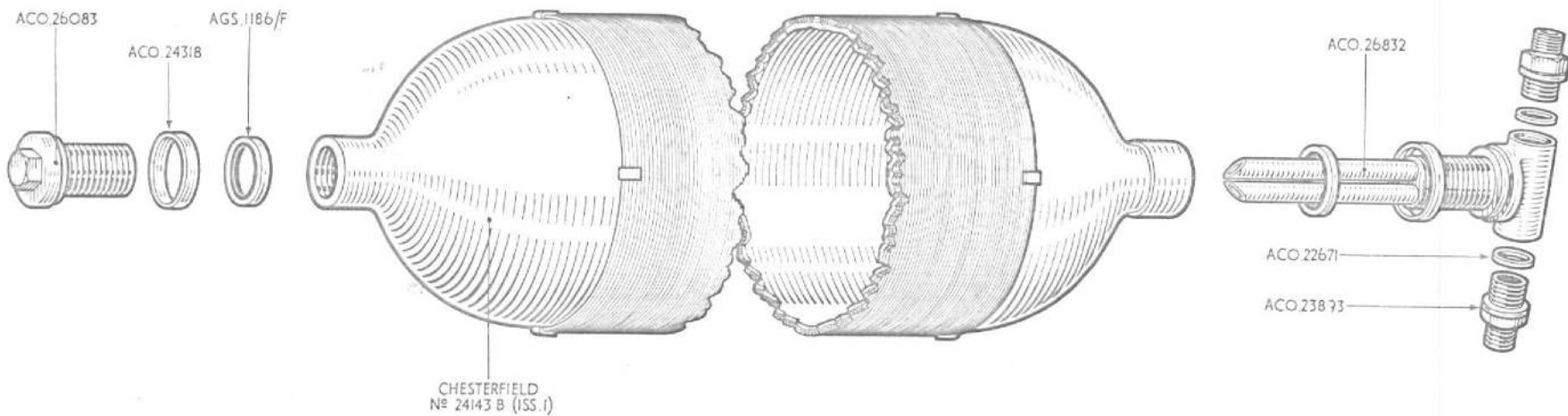
Page 1

RESTRICTED
SEA VIXEN

ISSUED WITH AMENDMENT LIST No. 5

Part No.	Description					No. Off	Matl. Spec.	Cl. of St. M.R.	FAW 1	Mark Applicability and No. Off Per Aircraft															
	1	2	3	4	5																				

RESTRICTED



AC 11846

RESTRICTED

Ref. No.	Part No.	Description						No. Off	Matl. Spec.	Cl. of St. M.R.	Mark Applicability and No. Off Per Aircraft							
			1	2	3	4	5				FAW	1						
	AH.51146 AH.51147	BRAKE UNIT BRAKE UNIT (Pre-Dunlop Mod. 2964)							P	1								
		Spares for :—							P	1								
27G/6729	AHO.36376 AHO.37223	Body, shuttle valve					1		C									
27G/5920	AHO.37123	Bolt, attachment, 2 BA, long, connection block					1	GCQ	C									
27G/5921	AHO.37403	Bolt, attachment, 2 BA, short connection block					1	Steel GCQ	C									
27G/5919	AHO.37129	Bolt, attachment, $\frac{1}{4}$ " BSF, Maxaret bracket					2	Steel S.94, S.95, or S.96	C									
		Bolt, attachment, $\frac{1}{4}$ " BSF, shuttle valve body					2	S.94, S.95 S.96 or S.105	C									
27G/5511	AHO.35836	Bolt, securing torque tube					8	S.98										
27G/5916	AHO.36620	Bolt, banjo					1											
27G/5993	AHO.37042	Bolt, 2 BA, securing cylinder sleeve locking plate					5	GCQ	C									
27G/5922	AHM.4525	Block, connection (Unit AH.51146)					1	Steel S.1, S.92, or S.93	C									
27G/6116	AHM.4526	Block, connection (Unit AH.51147)					1	S.1, S.92, S.93	C									
28N/12603	AGS.2030 23	Circlip, 1 $\frac{1}{8}$ " dia. internal type, brake adjuster					5		C									
27G/5923	AHO.36137	Connection, $\frac{1}{8}$ " BSP					3	S.94, S.95, or S.96	C									
27G/5924	AHO.37125	Connection, inlet, shuttle valve body					1	S.94, S.95, or S.96	C									
27G/5925	AHO.36202	Guide, brake adjuster					5	S.1	C									
27G/5926	AHO.36201	Housing, spring, brake adjuster					5	S.80	C									
27G/5516	AHO.25832	Nut, at bolt securing torque tube					8	S.94, S.95, S.96 or S.97	C									
27G/6482	AHO 80449	Block, Connection, Group					1		C									
27G/6483	AHO 80450	Block, Connection, Group					1		C									
	AQ.280/a	Plug, "Redcap" (Transport and Storage item for Connecting Block Assemblies)					2											

SEA VIXEN

RESTRICTED

ISSUED WITH AMENDMENT LIST No. 1

Page 2

Ref. No.	Part No.	Description					No. Off	Matl. Spec.	Cl. of St. M.R.	Mark Applicability and No. Off Per Aircraft															
		1	2	3	4	5				FAW 1															
	AH.51146	BRAKE UNIT					—																		
	AH.51147	BRAKE UNIT					—																		
		(Continued)																							
27G/5829	AHO.35447	Nut , end, brake adjuster	5	BS.249 or BS.251	C																
27G/5517	AHO.36257	Peg , torsion, brake adjuster	5	S.80	C																
27G/5928	AHO.37217	Pin , locking, ring nut	5	S.94, S.95 or S.96	C																
27G/5543	AHO.36210	Pin , support, brake adjuster	5	Silver Steel	C																
28P/12645	SP.9/B.4	Pin , split, at locking pin	5	—	C																
27G/5834	AHM.4375	Plate , locking, cylinder sleeve	5	GCQ Steel	C																
27G/6114	AH.41189	Plate , pressure (Unit AH.51146)	1	—																	
27G/6115	AH.41190	Plate , pressure (Unit AH.51147)	1	—																	
27G/5929	AHM.4246	PLATE, STATOR, DOUBLE, ASSEMBLY	2	—	P																
		Consisting of :—																							
27G/5640	AHM.4234	Pad , brake	42	—	C																
27G/5930	AH.40937	Plate , stator, thick	1	DTD.157	C																
27G/5521	AHO.35881	Rivet	21	BS.1109	C																
27G/5931	AHM.4245	PLATE, STATOR, SINGLE, ASSEMBLY	2	—	P																
		Consisting of :—																							
27G/5640	AHM.4234	Pad , brake	21	—	C																
27G/5523	AHO.35789	Plate , rivet	21	S.1	C																
27G/5932	AH.40936	Plate , stator, thin	1	DTD.137	C																
27G/5521	AHO.35881	Rivet	21	BS.1109	C																

RESTRICTED

Ref. No.	Part No.	Description	No. Off	Matl. Spec.	Cl. of St.	Mark Applicability and No. Off Per Aircraft														
						M.R.	FAW 1													
	AH.51146	BRAKE UNIT	—																	
	AH.51147	BRAKE UNIT	—																	
		(Continued)																		
	AH.41202	PLATE, TORQUE, ASSEMBLY	1	—																
		(Unit AH.51146)																		
	AH.41203	PLATE, TORQUE, ASSEMBLY	1	—																
		(Unit AH.51147)																		
		Spares for :—																		
27G 5933	AHO.38603	Body, banjo	1																	
	AHO.37105	Bolt, attachment	1	S.94, S.95, S.96 or S.97	C															
27G 6113	AHO.38604	Bolt, banjo	1	S.94, S.95 or S.96																
28D 8324	AS.1242 3E	Bolt, c'sk. hd. securing retaining plate	2	—																
27G 5934	AHO.37102	Bush	1	GCQ Steel																
27G 5935	AHO.37051	Dowel	4																	
	AHO.37107	Nut, attachment bolt	1	S.94, S.95, S.96 or S.97	C															
27G 5936	AHO.37686	Piston, operating	5	L.64	C															
27G 5937	AHO.37103	Plate, retaining, bush	1	GCQ	C															
		(Unit AH.51146)		Dural																
27G 6112	AHO.37152	Plate, retaining, bush	1	GCQ																
		(Unit AH.51147)		Dural																
27G 5938	SP.900B/19	Ring, sealing, 'O' type	5	—	C															
27G 5938	AHO.37777	Ring, wiper (Fluon)	5	Fluon CF.2	C															
28F 12047	AGS.1186/A	Seal, bonded, at banjo bolt	2	—	C															
28F 12048	AGS.1186/B	Seal, bonded, at charging valve	1	—	C															
28F 12086	AGS.1186/J	Seal, bonded, at cylinder sleeve	5	—	C															

SEA VIXEN

ISSUED WITH AMENDMENT LIST No. 1

RESTRICTED

Page 5

Ref. No.	Part No.	Description	No. Off	Matl. Spec.	Cl. of St. M.R.	Mark Applicability and No. Off Per Aircraft														
						FAW 1														
	AH.51146	BRAKE UNIT	—																	
	AH.51147	BRAKE UNIT	—																	
		(Continued)																		
28S/2820	A.33/C.20	Screw, c'sk. head, attachment bolt	1	—	C															
27G/5939	AHO.37655	Sleeve, cylinder	5	L.64 or L.65	C															
28Y/15486	"GYP" A.58	VALVE, CHARGING, GROUP	1	—	C															
27G/5940	AHO.37106	Washer, attachment bolt	1	S.94, S.95 or S.96	C															
27G/5957	AHO.37052	Washer	4		C															
27G/5941	AHO.37259	Plug, support, brake adjuster	5	S.28 or EN.31	C															
27G/5942	AHM.4620	ROTOR, ASSEMBLY	3	—	P															
		Consisting of :—																		
27G/5943	AHO.37554	Plate, retaining	16	GCQ Steel	C															
28Q/1830	AS.460/408	Rivet	16	—	C															
27G/5944	AHM.4619	Segment, rotor (color coding: Yellow, White, Blue)	8	Dunlop Spec. 127	P															
	AH.40732	Spider, rotor	1	Dunlop Spec. 127																
27G/5945	AHO.35100	Seal, banjo bolt	1	Rubber Dowty H.52	C															
28F/12047	AGS.1186 A	Seal, bonded, at 1/8" BSP connection	3	—	C															
28F/12048	AGS.1186 B	Seal, bonded, at shuttle valve	3	—	C															
27G/6093	ACO.24480	Shuttle	1	—	C															
27G/5838	AHO.36163	Spring, brake adjuster	5	DTD.215	C															
27G/5536	AHO.36256	Spring, locking, brake adjuster	5	DTD.215	C															
27G/6151	AHO.37057	TUBE, TORQUE, ASSEMBLY	1		C															
		Spares for :—																		
	AHO.36729	Piece, fouling	1																	
	AS.460/408	Rivet	2																	
27G/5618	AHO.36332	Washer, brake adjuster	5	S.1	C															
27G/5537	AHO.35837	Washer, at bolt securing torque tube	8		C															
28Y/15486	"Damit Controls" DC-22	VALVE, CHARGING GROUP (Alternative to "GYP A.58")																		
28Y/15486	AGS.2096	CONNECTION, CHARGING (Alternative to GYP A.58)																		

RESTRICTED

Ref. No.	Part No.	Description	No. Off	Matl. Spec.	Cl. of St.	Mark Applicability and No. Off Per Aircraft															
						1	2	3	4	5	M.R.	FAW 1									
	AH.51146 AH.51147	BRAKE UNIT BRAKE UNIT (Continued)																			
27G/5947 30A/3055	AHO.37272 — AHO.37993	Washer , sealing, shuttle valve body/torque plate ... Wire , locking, 22 SWG Wire , torsion	1 QR 5	— — —	C C C																
27G/5949	AHO.35900	TRANSIT ITEMS BLANKING-OFF ASSEMBLY, COMPLETE ... (at connection block)	3	—	C																
27G/5406	AHO.35285	BLANKING-OFF ASSEMBLY, COMPLETE ... (at 1/8" BSP connections)	4	—	C																
27G/5950	AHO.37110 AHO.36381	Piece , distance Ring , blanking, at banjo bolt	1 1	— —	LM C																

SEA VIXEN

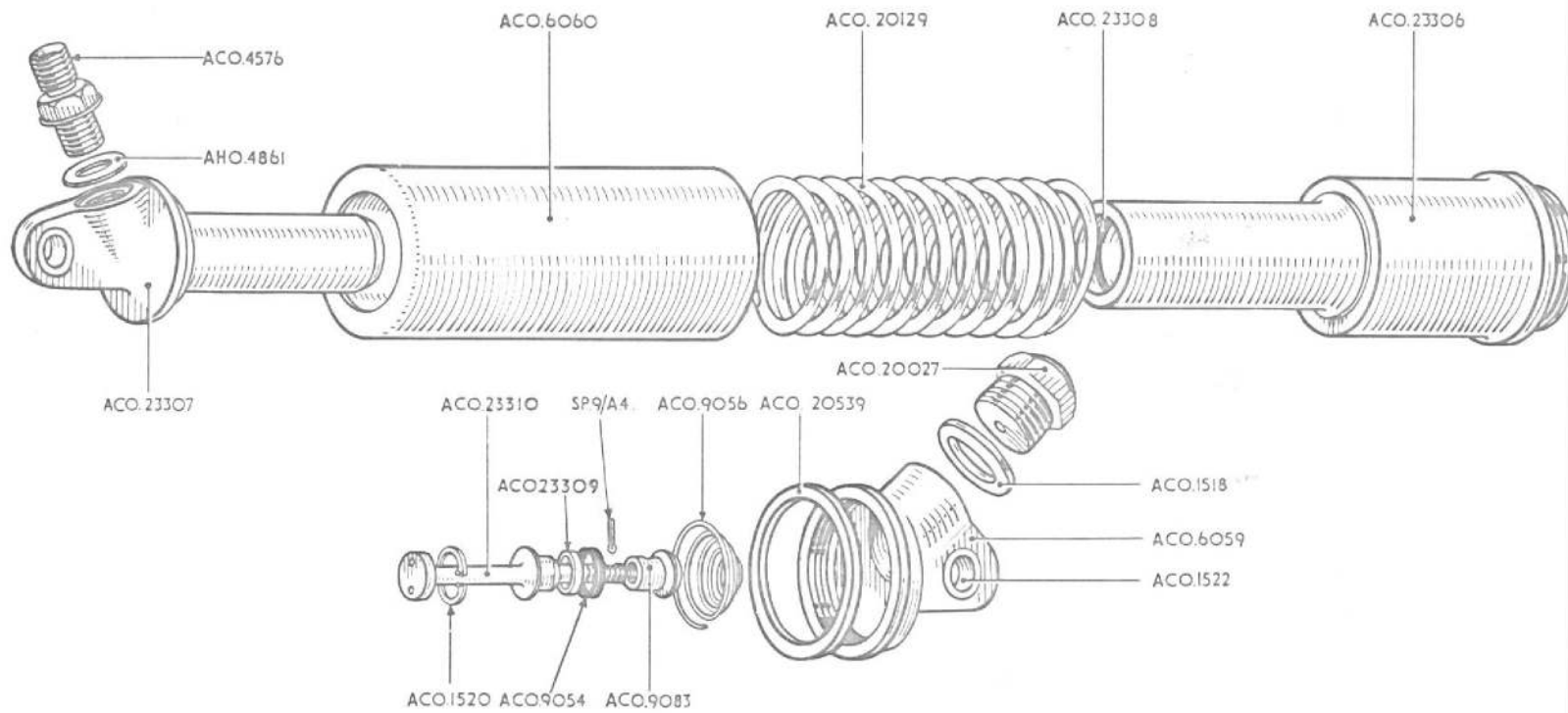
ISSUED WITH AMENDMENT LIST No. 9

RESTRICTED

SEA VIXEN

ISSUED WITH AMENDMENT LIST No. 9

Ref. No.	Part No.	Description					No. Off	Matl. Spec.	Cl. of St.	Mark Applicability and No. Off Per Aircraft																																						
										1	2	3	4	5																																		



ACM.18906

RESTRICTED

Ref. No.	Part No.	Description	No. Off	Matl. Spec.	Cl. of St.	Mark Applicability and No. Off Per Aircraft														
						1	2	3	4	5	FAW 1									
																			M.R.	
27G/4186	AH.51205	BRAKE UNIT (Dunlop Mod. 2964)	—	—	P	1														
27G/4187	AH.51206	BRAKE UNIT (Pre-Dunlop Mod. 3489) Spares for:—	—	—	P	1														
27G/6729	AHO.36376	Body , shuttle valve (Pre-Dunlop Mod. M.303)	1	—	C															
27G/5917	AHO.37223	Bolt , attachment, 2 BA long connection block	1	G.C.Q. Steel	C															
27G/5920	AHO.37123	Bolt , attachment, 2 BA short connection block	1	G.C.Q. Steel	C															
27G/5921	AHO.37403	Bolt , attachment, ¼" BSF Maxaret Bracket	2	S.94, S.95 or S.96	C															
27G/5919	AHO.37129	Bolt , attachment, ¼" BSF shuttle valve body	2	S.94, S.95, S.96 or S.105	C															
27G/5511	AHO.35836	Bolt , securing, torque tube	8	S.98																
27G/5916	AHO.36620	Bolt , banjo (Pre-Dunlop Mod. M.303)... ..	1	—	C															
27G/5993	AHO.37042	Bolt , 2 BA, securing cylinder sleeve locking plate... ..	5	G.C.Q. Steel	C															
27G/6482	AHO.80449	BLOCK, CONNECTION GROUP	1	S.1, S.92 or S.93	C															
27G/6483	AHO.80450	BLOCK, CONNECTION GROUP	1	S.1, S.92, or S.93	C															
27G/5826	AHO.37866	Bush , friction, brake adjuster	10	DTD.239	C															
27G/6071	AHO.37929	Cap , end, brake adjuster	5	—	C															
28N/12603	AGS.2030/23	Circlip , 1 3/8" dia. internal type, brake adjuster	5	—	C															
27G/5923	AHO.36137	Connection , 1/8" BSP	3	S.94, S.95 or S.96	C															
27G/5924	AHO.37125	Connection , inlet shuttle valve body (Pre-Dunlop Mod. M.303)	1	S.94, S.95 or S.96	C															
27G/6097	AHO.37930	Guide , brake adjuster	5	—	C															
27G/6095	AHO.38445	Housing , spring, brake adjuster	5	—	C															
27G/5516	AHO.25832	Nut , at bolt securing torque tube	8	S.94, S.95, S.96 or S.97	C															
27G/6022	AHO.37904	Peg , brake adjuster	5	S.80																

SEA VIXEN

ISSUED WITH AMENDMENT LIST No. 9

RESTRICTED

Page 9

SEA VIXEN

ISSUED WITH AMENDMENT LIST No. 9

Ref. No.	Part No.	Description	No. Off	Matl. Spec.	Cl. of St.	Mark Applicability and No. Off Per Aircraft										
						M.R.	FAW 1									
		1 2 3 4 5														
	AH.51205 AH.51206	BRAKE UNIT BRAKE UNIT (Continued)														
27G/6120 27G/5928	AHO.37933 AHO.37217	Piece, packing Pin, locking, ring nut	5 5	— S.94, S.95 or S.96	C C											
27G/6096 28P/12645 27G/5834	AHO.37928 SP.9/B.4 AHM.4375	Pin, retraction Pin, split, at locking pin Plate, locking, cylinder sleeve	5 5 5	S.1 or S.6 — G.C.Q. Steel	C C C											
27G/6114 27G/6115 27G/5929	AH.41189 AH.41190 AHM.4246	Plate, pressure Plate, pressure PLATE, STATOR DOUBLE ASSEMBLY ...	1 1 2	— — —	C C P											
		Consisting of:—														
27G/5640 27G/5930	AHM.4234 AH.40937	Pad, brake Plate, stator, thick	42 1	— DTD.157	C C											
27G/5521 27G/5931	AHO.35881 AHM.4245	Rivet PLATE, STATOR SINGLE ASSEMBLY ...	21 2	BS.1109 —	C P											
		Consisting of:—														
27G/5640 27G/5523 27G/5932 27G/5521	AHM.4234 AHO.35789 AH.40936 AHO.35881 AH.41202	Pad, brake Plate, rivet Plate, stator, thin Rivet PLATE, TORQUE ASSEMBLY ...	21 21 1 21 1	— S.1 DTD.137 BS.1109 —	C C C C C											
		(Pre-Dunlop Mod. 3401) (Unit AH.51205)														
	AH.41904	PLATE, TORQUE ASSEMBLY (Dunlop Mod. 3401) (Unit AH.51205)	1	—	C											
	AH.41203	PLATE, TORQUE ASSEMBLY (Pre-Dunlop Mod. 3401) (Unit AH.51206)	1	—	C											
	AH.41906	PLATE, TORQUE ASSEMBLY (Dunlop Mod. 3401) (Unit AH.51206)	1	—	C											
		Spares for:—														
27G/6753	AHO.38603	Body, banjo	1	—	C											

RESTRICTED

Ref. No.	Part No.	Description	No. Off	Matl. Spec.	Cl. of St.	Mark Applicability and No. Off Per Aircraft														
						M.R.	FAW 1													
	AH.51205 AH.51206	BRAKE UNIT BRAKE UNIT (Continued)																		
27G/5933	AHO.37105	Bolt, attachment	1	S.94, S.95, S.96 or S.97	C															
27G/6113	AHO.38604	Bolt, banjo	1	S.94, S.95 or S.96	C															
28D/8324 27G/5934	AS.1242/3E AHO.37102	Bolt, c'sk. hd., securing retaining plate	2	—	C															
		Bush	1	G.C.Q. Steel	C															
27G/5956	AHO.37051	Dowel	4	—	C															
27G/5935	AHO.37107	Nut, attachment	1	S.94, S.95, S.96 or S.97	C															
27G/5936	AHO.37686	Piston, operating	5	L.64	C															
27G/5937	AHO.37103	Plate, retaining bush (Unit AH.51205)	1	G.C.Q.	C															
27G/6112	AHO.37152	Plate, retaining bush (Unit AH.51206)	1	Dural G.C.Q.	C															
27QA/285	Dowty SP.900B/19	Ring, sealing, "O" type	5	—	C															
27G/5938	AHO.37777	Ring, wiper (Fluon)	5	Fluon CF.2	C															
28F/12047	AGS.1186/A	Seal, bonded, at banjo bolt	2	—	C															
28F/12048	AGS.1186/B	Seal, bonded, at charging valve	1	—	C															
28F/12086	AGS.1186/J	Seal, bonded, at cylinder sleeve	5	—	C															
28S/2820	A.33/C.20	Screw, c'sk. hd. attachment bolt	1	—	C															
27G/5939	AHO.37655	Sleeve, cylinder	5	L.64 or L.65	C															
28Y/15486 27G/5940	GYP.A.58 AHO.37106	VALVE, CHARGING GROUP	1	—	C															
		Washer, attachment bolt	1	S.94, S.95 or S.96	C															
27G/5957	AHO.37052	Washer	4	—	C															
27G/5942	AHM.4620	ROTOR ASSEMBLY	3	—	P															
		Consisting of:—																		
27G/5943	AHO.37554	Plate, retaining	16	G.C.Q. Steel	C															

SEA VIXEN

ISSUED WITH AMENDMENT LIST No. 9

RESTRICTED

SEA VIXEN

ISSUED WITH AMENDMENT LIST No. 9

Ref. No.	Part No.	Description	No. Off	Matl. Spec.	Cl. of St.	Mark Applicability and No. Off Per Aircraft																
						M.R.	FAW	1	2	3	4	5	6	7	8	9	10	11	12	13	14	15
	AH.51205 AH.51206	BRAKE UNIT BRAKE UNIT (Continued)																				
28Q/1830 27G/5944	AS.460/408 AHM.4619	Rivet Segment, rotor (Colour Code: Yellow, White, Blue)	16 8	— Dunlop Spec. 127	C P																	
	AH.40732	Spider, rotor	1	Dunlop Spec. 127																		
27G/5945	AHO.35100	Seal, banjo (Pre-Dunlop Mod. M.303)... ..	1	Rubber Dowty H.52	C																	
28F/12047	AGS.1186/A	Seal, bonded, at $\frac{1}{8}$ " BSP connection	3	—	C																	
28F/12048	AGS.1186/B	Seal, bonded, at shuttle valve	3	—	C																	
27G/6093	ACO.24480	Shuttle (Pre-Dunlop Mod. M.303)	1	—	C																	
27G/5838	AHO.36163	Spring, brake adjuster	5	DTD.215	C																	
27G/6151	AHO.37057	TUBE, TORQUE ASSEMBLY Spares for:—	1	—	C																	
	AHO.36729	Piece, fouling	1	—																		
	AS.460/408	Rivet	2	—																		
27G/5618	AHO.36332	Washer, brake adjuster	5	S.1	C																	
27G/6031	AHO.37905	Washer, locking brake adjuster	5	G.C.Q. Steel	C																	
27G/5537	AHO.35837	Washer, at bolt securing torque tube	8	—	C																	
27G/5947	AHO.37272	Washer, sealing, shuttle valve body/torque plate	1	Rubber Spec. S.2756D	C																	

RESTRICTED

Ref. No.	Part No.	Description	No. Off	Matl. Spec.	Cl. of St.	Mark Applicability and No. Off Per Aircraft														
											FAW 1									
						1	2	3	4	5										
	AH.51205 AH.51206	BRAKE UNIT BRAKE UNIT																		
	AHM.6437	(Continued) VALVE, SHUTTLE ASSEMBLY (Dunlop Mod. M.303) Spares for:—	1	—																
27G/7066	AHO.83460	Bolt, banjo	1	—	C															
27G/7068	AHO.39016	Body, shuttle valve	1	—	C															
27G/7067	AHO.83461	Connection, inlet	1	—	C															
27G/6391	AHO.38996	Ring, back-up	4	—	C															
	Dowty SP.900B/6	Ring, sealing	2	—																
27G/6392	AHO.38995	Shuttle	1	—																
30A/3055	—	Wire, locking, 22 SWG	QR 1	DTD.189	C															
		TRANSIT AND STORAGE ITEMS																		
27G/5949	AHO.35900	BLANKING-OFF ASSEMBLY, COMPLETE ... (at connection block)	3	—	C															
27G/5406	AHO.35285	BLANKING-OFF ASSEMBLY, COMPLETE ... (at $\frac{1}{8}$ " BSP connection)	4	—	C															
	AQ.2801A	Plug, "Redcap"	2	—																
27G/5950	AHO.37110	Piece, distance	1	Wood	LM															
	AHO.36381	Ring, blanking, at banjo	1	G.C.Q.	C															

SEA VIXEN

ISSUED WITH AMENDMENT LIST No. 9

RESTRICTED

RESTRICTED

Ref. No.	Part No.	Description	No. Off	Matl. Spec.	Cl. of St.	Mark Applicability and No. Off Per Aircraft																
						1	2	3	4	5	M.R.	FAW										
												1										
27G/4206	AH.51350	BRAKE UNIT (Dunlop Mod. 3489)	—	—	P	1																
27G/4207	AH.51351	BRAKE UNIT (Pre-Dunlop Mod. 3392) Spares for:—	—	—	P	1																
27G/6729	AHO.36376	Body , shuttle valve (Pre-Dunlop Mod. M.303)	1	—	C																	
27G/5917	AHO.37223	Bolt , attachment, 2 BA, long connection block	1	G.C.Q. Steel	C																	
27G/5920	AHO.37123	Bolt , attachment, 2 BA, short connection block	1	G.C.Q. Steel	C																	
27G/5919	AHO.37129	Bolt , attachment, ¼" BSF, shuttle valve body	2	S.94, S.95, S.96 or S.105	C																	
27G/5916	AHO.36620	Bolt , banjo (Pre-Dunlop Mod. M.303)... ..	1	—	C																	
27G/5511	AHO.35836	Bolt , securing torque tube	8	S.98	C																	
27G/5993	AHO.37042	Bolt , 2 BA, securing cylinder sleeve locking plate... ..	5	G.C.Q. Steel	C																	
27G/6482	AHO.80449	BLOCK, CONNECTION GROUP (Unit AH.51350)	1	—	C																	
27G/6483	AHO.80450	BLOCK, CONNECTION GROUP (Unit AH.51351)	1	—	C																	
27G/5826	AHO.37866	Bush , friction brake adjuster	10	—	C																	
27G/6071	AHO.37929	Cap , end brake adjuster	5	—	C																	
28N/12603	AGS.2030/23	Circlip , 1½" dia., brake adjuster	5	—	C																	
27G/5923	AHO.36137	Connection , ⅛" BSP	3	S.94, S.95 or S.96	C																	
27G/5924	AHO.37125	Connection , inlet shuttle valve body (Pre-Dunlop Mod. M.303)	1	S.94, S.95 or S.96	C																	

SEA VIXEN

ISSUED WITH AMENDMENT LIST No. 9

RESTRICTED

Page 15

SEA VIXEN

ISSUED WITH AMENDMENT LIST No. 9

Ref. No.	Part No.	Description	No. Off					Matl. Spec.	Cl. of St.	Mark Applicability and No. Off Per Aircraft														
			1	2	3	4	5			M.R.	FAW 1													
—	AH.51350	BRAKE UNIT																						
—	AH.51351	BRAKE UNIT																						
		(Continued)																						
27G/6097	AHO.37930	Guide , brake adjuster		5	S.1	C														
27G/6095	AHO.38445	Housing , spring, brake adjuster		5	S.80	C														
27G/5516	AHO.25832	Nut , bolt, securing torque tube		8	S.94, S.95, S.96 or S.97	C														
27G/6120	AHO.37933	Piece , packing		5	—	C														
27G/6022	AHO.37904	Peg , brake adjuster		5	S.80	C														
27G/5928	AHO.37217	Pin , locking, ring nut		5	S.94, S.95 or S.96	C														
27G/6096	AHO.37928	Pin , retraction		5	S.1 or S.6	C														
28P/12645	SP.B.4	Pin , split, at locking pin		5	—	C														
27G/5834	AHM.4375	Plate , locking, cylinder sleeve		5	G.C.Q. Steel	C														
27G/6114	AH.41189	Plate , pressure (Unit AH.51350) *		1	—	C														
27G/6115	AH.41190	Plate , pressure (Unit AH.51351)		1	—	C														
27G/5929	AHM.4246	PLATE, STATOR DOUBLE ASSEMBLY						2	—	P														
		Consisting of:—																						
27G/5640	AHM.4234	Pad , brake		42	—	C														
27G/5930	AH.40937	Plate , stator, thick		1	DTD.157	C														
27G/5521	AHO.35881	Rivet		21	BS.1109	C														
27G/5931	AHM.4245	PLATE, STATOR SINGLE ASSEMBLY						2	—	P														
		Consisting of:—																						
27G/5640	AHM.4234	Pad , brake		21	—	C														
27G/5523	AHO.35789	Plate , rivet		21	S.1	C														
27G/5932	AH.40936	Plate , stator, thin		1	DTD.137	C														
27G/5521	AHO.35881	Rivet		21	BS.1109	C														

RESTRICTED

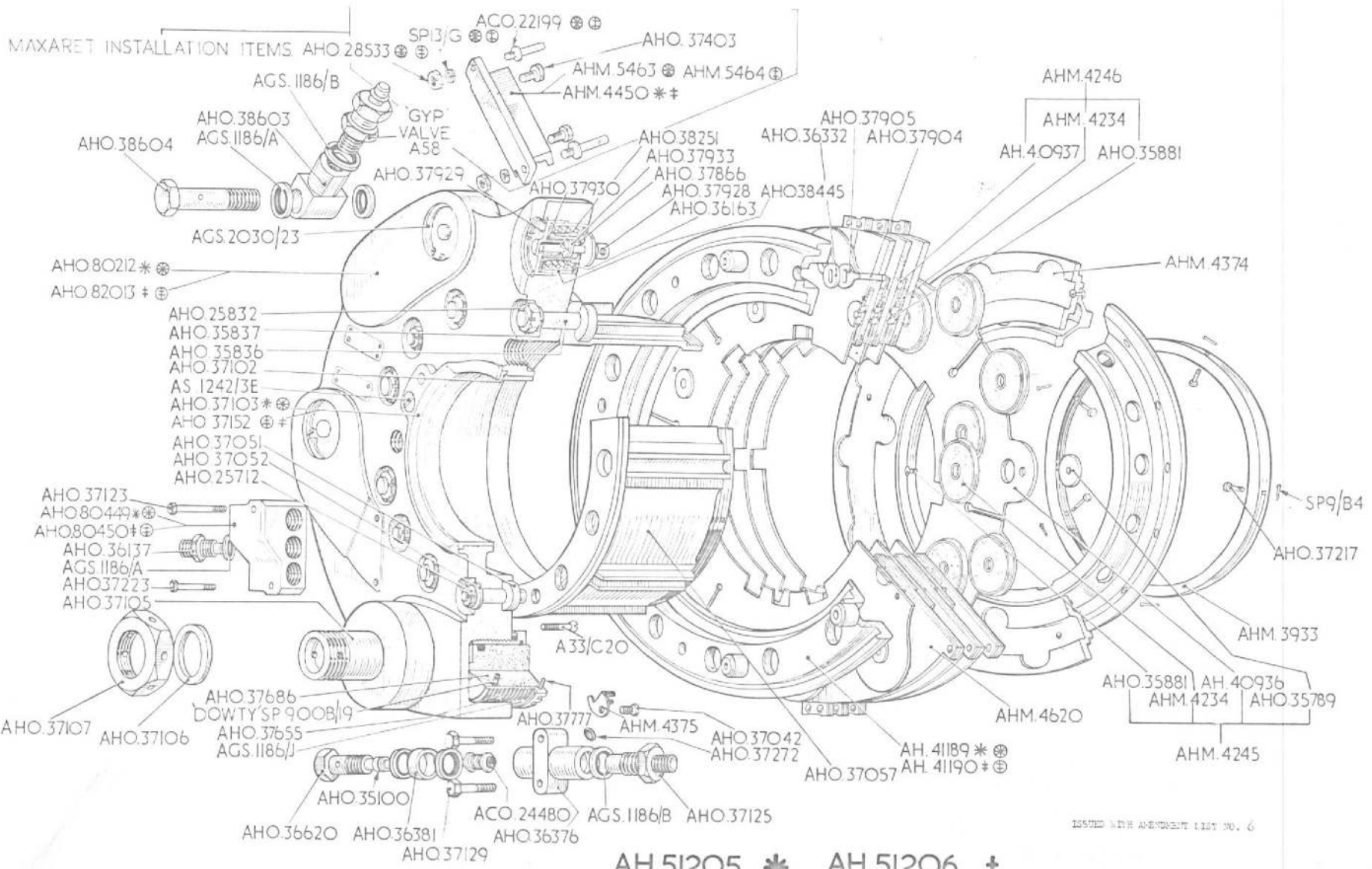
Ref. No.	Part No.	Description	No. Off	Matl. Spec.	Cl. of St.	Mark Applicability and No. Off Per Aircraft														
						1	2	3	4	5	FAW									
											M.R.	I 2								
	AH.51350 AH.51351	BRAKE UNIT BRAKE UNIT (Continued)																		
	AH.41904	PLATE, TORQUE, MAJOR, ASSEMBLY (For unit AH.51350)	...	1	—															
	AH.41906	PLATE, TORQUE, MAJOR, ASSEMBLY (For Unit AH.51351)	...	1	—															
	AHO.38603	Spares for:— Body, banjo	1	—															
27G/5933	AHO.37105	Bolt, attachment	1	S94, S95, S96 or S97	C														
27G/6113	AHO.38604	Bolt, banjo	1	S94, S95 or S96	C														
28D/ 1202334	AS.1242/3E	Bolt, c'sk hd., securing retaining plate	2	—	C														
27G/5934	AHO.37102	Bush	1	Steel	C														
27G/5956	AHO.37051	Dowel	4	—	C														
27G/5935	AHO.37107	Nut, attachment bolt	1	S94, S95, S96 or S97.	C														
27G/5936	AHO.37686	Piston, operating	5	L64	C														
27G/5937	AHO.37103	Plate, retaining bush (For Unit AH.51350)	...	1	Dural	C														
27G/6112	AHO.37152	Plate, retaining bush (For Unit AH.51351)	...	1	Dural	C														
27QA/285	Dowty SP.900B/19	Ring, sealing, 'O' type	5	—	C														
27G/5938	AHO.37777	Ring, wiper (Fluon)	5	Fluon	C														
28S/ 9435717	A.33/C20	Screw, c'sk hd., attachment bolt	1	—	C														
28F/ 9428452	AGS.1186/A	Seal, bonded, at banjo bolt	2	—	C														
28F/ 9428453	AGS.1186/B	Seal, bonded, at changing valve	1	—	C														
28F/ 8016813	AGS.1186/J	Seal, bonded, at cylinder sleeve	5	—	C														
27G/6098	AHO.38251	Shim	as reqd.	Shim Steel	C														

SEA VIXEN

ISSUED WITH AMENDMENT LIST No. 8

RESTRICTED

Ref. No.	Part No.	Description	No. Off	Matl. Spec.	Cl. of St.	Mark Applicability and No. Off Per Aircraft																
						FAW																
		1 2 3 4 5					M.R.	I	2													
	AH.51350 AH.51351	BRAKE UNIT BRAKE UNIT (Continued)																				
27G/5939	AHO.37655	Sleeve, cylinder	5	L64 or L65	C																	
28Y/ 9437416	AGS.2096	Valve, charging, group	1	—	C																	
27G/5940	AHO.37106	Washer, attachment bolt	1	S94, S95 or S96	C																	
27G/5957	AHO.37052	Washer	4	—	C																	
27G/5942	AHM.4620	ROTOR, ASSEMBLY	3	—	P																	
		Consisting of:—																				
27G/5943	AHO.37554	Plate, retaining	16	Steel	C																	
28Q/1830	AS.460/408	Rivet	16	—	C																	
27G/5944	AHM.4619	Segment, rotor (Colour Code — Yellow, White, Blue)	8	Dunlop Spec. 127	P																	
	AH.40732	Spider, rotor	1	Dunlop Spec. 127																		
27G/5945	AHO.35100	Seal, banjo bolt (Dunlop Spec. 127)	1	Rubber	C																	
28F/ 9428452	AGS.1186/A	Seal, bonded, 1/8" BSP connection	3	—	C																	
28F/ 9428453	AGS.1186/B	Seal, bonded, at Shuttle Valve	3	—	C																	
27G/6093	ACO.24480	Shuttle	1	—	C																	
27G/5838	AHO.36163	Spring, brake adjuster	5	DTD.215	C																	
27G/6151	AHO.37057	TUBE, TORQUE, ASSEMBLY	1	—	C																	
		Spares for:—																				
	AHO.36729	Piece, fouling	1	—																		
28Q/1830	AS.460/408	Rivet	2	—	C																	
27G/5618	AHO.36332	Washer, brake adjuster	5	S1	C																	
27G/5537	AHO.35837	Washer, bolt securing torque tube	8	—	C																	
27G/6031	AHO.37905	Washer, locking, brake adjuster	5	Steel	C																	
27G/5947	AHO.37272	Washer, sealing, shuttle valve body/Torque Plate	1	Rubber	C																	



ISSUED WITH AMENDMENT LIST NO. 6

AH.51205 * †	AH.51206 †
AH.51350 †	AH.51351 †

RESTRICTED

Ref. No.	Part No.	Description	No. Off	Matl. Spec.	Cl. of St.	Mark Applicability and No. Off Per Aircraft														
						M.R.	FAW 1													
—	AH.51350	BRAKE UNIT																		
—	AH.51351	BRAKE UNIT																		
	AH.6437	(Continued) VALVE, SHUTTLE ASSEMBLY ...	1	—																
		(Dunlop Mod. M.303) Spares for:—																		
27G/7066	AHO.83460	Bolt , banjo	1	—	C															
27G/7068	AHO.39016	Body , shuttle valve	1	—	C															
27G/7067	AHO.83461	Connection , inlet	1	—	C															
27G/6391	AHO.38996	Ring , back-up	4	—	C															
	Dowty SP.900B/6	Ring , sealing	2	—																
27G/6392	AHO.38995	Shuttle	1	—	C															
30A/3055	—	Wire , locking, 22 SWG	QR	DTD.189	C															
		TRANSIT AND STORAGE ITEMS																		
27G/5949	AHO.35900	BLANKING-OFF ASSEMBLY, COMPLETE ... (Connection Block)	3	—	C															
27G/5406	AHO.35285	BLANKING-OFF ASSEMBLY, COMPLETE ... ($\frac{1}{8}$ " BSP connection)	4	—	C															
27G/5950	AHO.37110	Piece , distance	1	Wood	LM															
	AHO.36381	Ring , blanking, banjo bolt	1	G.C.Q. Steel	C															

SEA VIXEN

ISSUED WITH AMENDMENT LIST No. 9

RESTRICTED

SEA VIXEN

ISSUED WITH AMENDMENT LIST No. 9

Ref. No.	Part No.	Description	No. Off	Matl. Spec.	Cl. of St.	Mark Applicability and No. Off Per Aircraft													
						FAW													
						1	2										M.R.	1	2
27G/4261	AH.52181	BRAKE UNIT } (Dunlop Mod. 4351) BRAKE UNIT }	—	—	P	1	1												
27G/4262	AH.52182			—	—	P	1	1											
	AHO.39617	Spares for:— ADJUSTER ASSEMBLY	5	—															
		Spares for:—																	
27G/5826	AHO.37866	Bush , friction	3	—	C														
27G/6071	AHO.37929	Cap , end	1	—	C														
27G/6097	AHO.37930	Guide	1	—	C														
27G/6358	AHO.39345	Housing , spring	1	S.80B	C														
27G/6098	AHO.38251	Shim	A/R	G.C.Q. Steel	C														
27G/6360	AHO.39344	Spring	1	—	C														
27G/6753	AHO.38603	Body , banjo	1	—	C														
27G/6729	AHO.36376	Body , shuttle valve (Pre-Dunlop Mod. M.303)	1	—	C														
27G/5917	AHO.37223	Bolt , attachment, 2 BA, long connection block ...	1	G.C.Q. Steel	C														
27G/5920	AHO.37123	Bolt , attachment, 2 BA, short connection block ...	1	G.C.Q. Steel	C														
27G/5919	AHO.37129	Bolt , attachment, ¼" BSF, shuttle valve body ...	2	S.94, S.95, S.96 or S.105	C														
27G/5933	AHO.37105	Bolt , attachment, torque plate	1	S.94 or S.95	C														
27G/6113	AHO.38604	Bolt , banjo, torque plate	1	S.94 or S.95	C														
27G/5916	AHO.36620	Bolt , banjo, shuttle valve (Pre-Dunlop Mod. M.303)	1	—	C														
27G/5511	AHO.35836	Bolt , securing torque tube	8	S.98	C														
27G/5993	AHO.37042	Bolt , 2 BA, securing cylinder liner locking plate ...	5	G.C.Q. Steel	C														
27G/6482	AHO.80449	BLOCK, CONNECTION GROUP (Unit AH.52181)	1	—	C														
27G/6483	AHO.80450	BLOCK, CONNECTION GROUP (Unit AH.52182)	1	—	C														

SEA VIXEN

ISSUED WITH AMENDMENT LIST No. 9

Ref. No.	Part No.	Description	No. Off	Matl. Spec.	Cl. of St.	Mark Applicability and No. Off Per Aircraft														
						M.R.	FAW 1	FAW 2												
	AH.52181 AH.52182	BRAKE UNIT BRAKE UNIT (Continued)																		
27G/5834	AHM.4375	Plate, locking, cylinder sleeve	5	Steel	C															
27G/6114	AH.41189	Plate, pressure	1	—	C															
27G/6115	AH.41190	Plate, pressure	1	—	C															
27G/6355	AHM.5488	PLATE, STATOR DOUBLE ASSEMBLY Spares for:—	2	—	P															
27G/6354	AHM.5471	PAD GROUP	20	—	C															
	AH.41927	Plate, stator, thick	1	—	—															
27G/6605	AHO.80972/2	Rivet (Dunlop Amdt. 27098)	10	—	C															
27G/6349	AHM.5487	PLATE, STATOR SINGLE ASSEMBLY Spares for:—	2	—	P															
27G/6354	AHM.5471	PAD GROUP	10	—	C															
	AH.41926	Plate, stator, thin	1	—	C															
27G/6604	AHO.80972/3	Rivet (Dunlop Amdt. 27098)	10	—	C															
27G/6841	AH.42614	PLATE, TORQUE MAJOR ASSEMBLY (For Units AH.52181)	1	—	P															
27G/6842	AH.42615	PLATE, TORQUE MAJOR ASSEMBLY (For Units AH.52182) Spares for:—	1	—	P															
27G/6844	AHO.82737	Bolt	2	—	C															
27G/6843	AHO.82728	Bush	1	—	C															
27G/6845	AHO.82729	Plate, retaining bush (Unit AH.52181) ...	1	—	C															
27G/6846	AHO.82730	Plate, retaining bush (Unit AH.52182) ...	1	—	C															
27G/5957	AHO.37052	Washer	4	—	C															
27QA/770	Dowty GD.1801A/20	Ring, sealing, "O" type, outer piston ...	5	—	C															
27QA/769	Dowty GD.1801A/16	Ring, sealing, "O" type, inner piston ...	5	—	C															
28S/ 9435717	A.33/C.20	Screw, c'sk. head, attachment bolt	1	—	C															
27G/5945	AHO.35100	Seal, banjo bolt (Pre-Dunlop Mod. M.303) ...	1	Rubber	C															
28F/ 9428452	AGS.1186/A	Seal, bonded, banjo bolt, $\frac{1}{8}$ " BSP connection ...	5	—	C															

RESTRICTED

RESTRICTED

Ref. No.	Part No.	Description	No. Off	Matl. Spec.	Cl. of St.	Mark Applicability and No. Off Per Aircraft																	
						M.R.	FAW 1	FAW 2															
	AH.52181 AH.52182	BRAKE UNIT BRAKE UNIT (Continued)																					
28F/ 9428453	AGS.1186/B	Seal, bonded, charging valve/shuttle valve	4	—	C																		
28F/ 8016813	AGS.1186/J	Seal, bonded, cylinder liner	5	—	C																		
27G/6503	AHM.5398	Segment, rotor (Dunlop Mod. 3636) (Colour Code White)	24	—	C																		
27G/6093	ACO.24480	Shuttle (Pre-Dunlop Mod. M.303)	1	—	C																		
27G/6151	AHO.37057	TUBE, TORQUE ASSEMBLY Spares for:—	1	—	C																		
	AHO.36729	Piece, fouling	1	—	C																		
28Q/1830	AS.460/408	Rivet	2	—	C																		
28Y/ 9437416	AGS.2096/A	VALVE, CHARGING GROUP	1	—	C																		
	or AGS.2096/B																						
27G/5940	AHO.37106	Washer, attachment bolt	1	—	C																		
27G/5618	AHO.36332	Washer, brake adjuster	5	S.1	C																		
27G/5537	AHO.35837	Washer, bolt, securing torque tube	8	—	C																		
27G/6031	AHO.37905	Washer, locking, brake adjuster	5	Steel	C																		
27G/5947	AHO.37272	Washer, sealing, shuttle valve body/torque plate	1	Rubber	C																		
	AHM.6437	VALVE, SHUTTLE ASSEMBLY (Dunlop Mod. M.303) Spares for:—	1	—	C																		
27G/7066	AHO.83460	Bolt, banjo	1	—	C																		
27G/7068	AHO.39016	Body, shuttle valve	1	—	C																		
27G/7067	AHO.83461	Connection, inlet	1	—	C																		
27G/6391	AHO.38996	Ring, back-up	4	—	C																		
	Dowty	Ring, sealing	2	—	C																		
	SP.900B/6																						
27G/6392	AHO.38995	Shuttle	1	—	C																		
30A/3055	—	Wire, locking, 22 SWG	QR	DTD.189	C																		

SEA VIXEN

ISSUED WITH AMENDMENT LIST No. 9

RESTRICTED

Page 23

SEA VIXEN

ISSUED WITH AMENDMENT LIST No. 9

Ref. No.	Part No.	Description					No. Off	Matl. Spec.	Cl. of St.	Mark Applicability and No. Off Per Aircraft														
										M.R.		FAW 1	FAW 2											
										1	2	3	4	5										
	AH.52181 AH.52182	BRAKE UNIT BRAKE UNIT (Continued)																						
27G/5949	AHO.35900	TRANSIT & STORAGE ITEMS BLANKING-OFF ASSEMBLY, COMPLETE ...					3	—	C															
		(Connection Block)																						
27G/5406	AHO.35285	BLANKING-OFF ASSEMBLY, COMPLETE ...					4	—	C															
	AHO.37110	Piece, distance					1	Wood	LM															
27G/5950	AHO.36381	Ring, blanking, banjo bolt					1	Steel	C															

RESTRICTED

Ref. No.	Part No.	Description	No. Off	Matl. Spec.	Cl. of St.	Mark Applicability and No. Off Per Aircraft														
						M.R.	FAW		FAW		FAW		FAW		FAW					
							1	2	1	2	1	2	1	2	1	2				
27VA 4417	ACM.16738	COCK, ISOLATING, ASSEMBLY (Dunlop Mod. 3886) Spares for :—	—	—	A	1	1													
27VA 4713	ACO.20923	Bearing, camshaft	2	—	C															
27VA 4714	ACM.16722	Body	1	65C	C															
28D 12529	A.25/B.4	Bolt, clamping lever	1	—	C															
27VA 4715	ACO.20925	Bush, roller	2	S.61, S.62 or S.80	C															
27VA 4716	ACO.20928	Camshaft	1	S.61, S.62 or S.80	C															
27VA 6153	ACO.8683	Cover	1	L.62	C															
27VA 4717	ACO.9674	Disc, retaining, bottom valve sleeve sealing ring	1	S.85 or DTD.171	C															
27VA 4718	ACO.8677	Disc, retaining, valve stem lubricating ring	1	DTD.166	C															
27VA 4719	ACO.9678	Filter	1	Porosint	C															
27VA 4720	ACO.8681	Follower, cam	1	DTD.187	C															
27VA 4721	AHO.15192	Lever, operating	1	Alum.	C															
28M 10327	AGS.2002 B 1	Nut, stiff, 4 BA	1	—	C															
27VA 4722	ACO.20930	Peg, retaining camshaft bearing	2	L.64	C															
27VA 4692	ACO.7931	Ring, lubricating bottom valve sleeve	1	Felt	C															
27VA 4724	ACO.8678	Ring, lubricating valve stem	1	Felt	C															
27VA 5270	ACO.23185	Ring, retaining filter bottom	1	—	C															
27VA 4726	ACO.9679	Ring, retaining filter top	1	L.65	C															
27VA 4450	ACO.8168	Ring, sealing, bottom valve sleeve	1	Rubber	C															
27VA 4727	ACO.9880	Ring, sealing filter	1	Rubber	C															
27VA 4729	ACO.8676	Ring, sealing valve stem	1	Rubber	C															
27VA 4730	ACO.20924	Roller	1	S.61, S.62 or S.80	C															
27VA 4731	—	Screw, "Unbrako", type "C", 2 BA × 1 $\frac{1}{8}$ " long under head	4	—	C															
27VA 4728	ACO.9680	Seat, valve, inlet	1	Rubber	C															

SEA VIXEN

ISSUED WITH AMENDMENT LIST No. 5

RESTRICTED

Page 12 25

Ref. No.	Part No.	Description	No. Off	Matl. Spec.	Cl. of St.	Mark Applicability and No. Off Per Aircraft														
						M.R.	FAW 1													
—	ACM.16738	COCK, ISOLATING, ASSEMBLY ... (Continued)																		
27VA/4732	ACO.8687	Sleeve, valve, bottom ...	1	S.62	C															
27VA/4733	ACO.8679	Sleeve, valve, top ...	1	S.61 or S.62	C															
27VA/4734	ACO.9677	Spring ...	1	DTD.215	C															
27VA/4735	ACO.20929	Spring, and locator camshaft ...	1	DTD.187	C															
27VA/4736	ACO.8680	Stem, valve ...	1	S.62	C															
27VA/6165	ACO.8674	Stop, lever ...	1	S.61 or S.62	C															
27VA/4737	ACO.9145	Washer, retaining ...	1	DTD.265	C															
		TRANSPORTATION & STORAGE ITEMS																		
28F/15505	AGS.1236/B	Cap, cone ...	2	—	C															
28P/1006943	SP.9/C6	Pin, split ...	2	—	C															
28F/5722	AGS.904/B	Sleeve, outer ...	2	—	C															

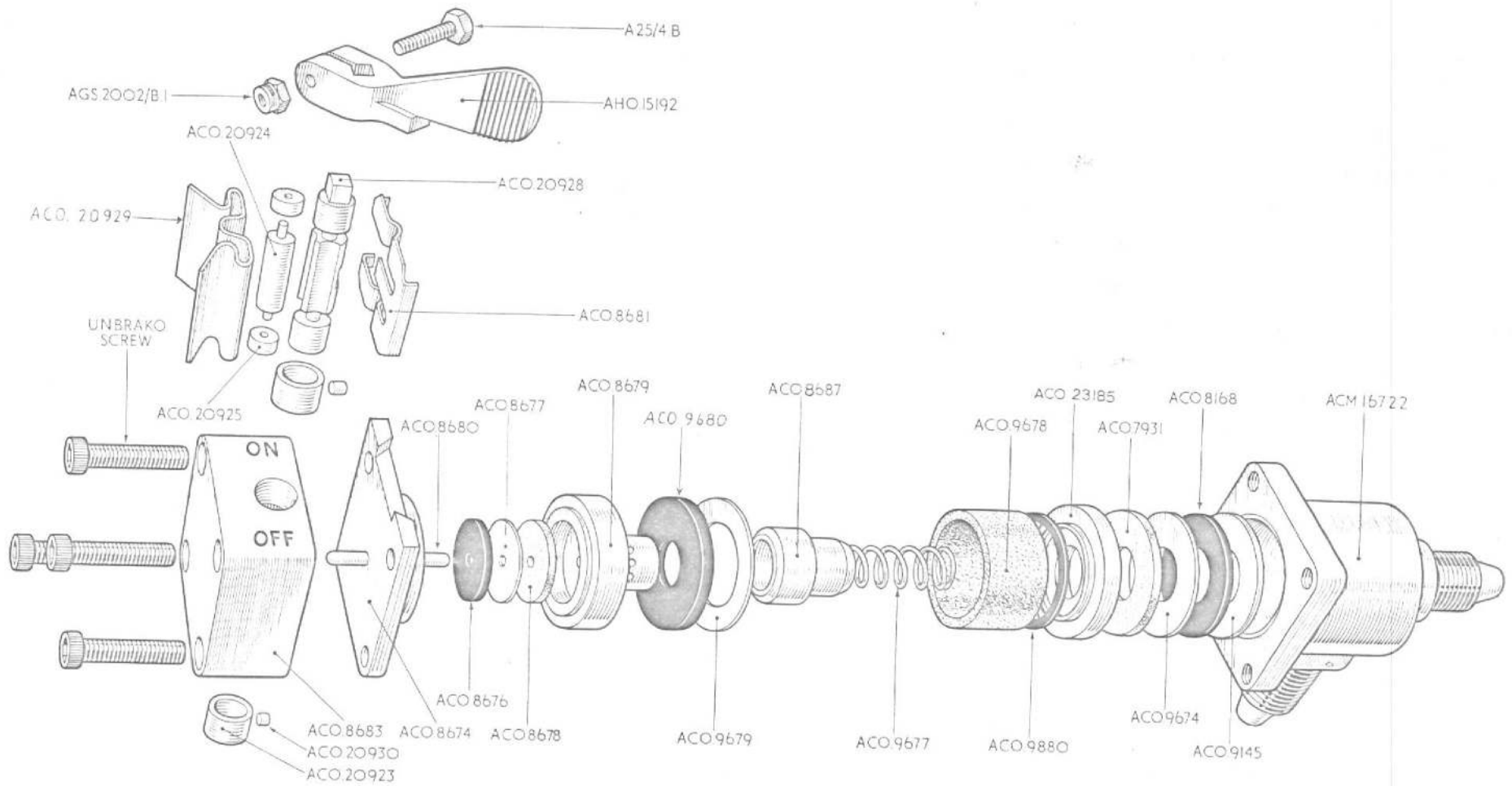
RESTRICTED

Ref. No.	Part No.	Description	No. Off	Matl. Spec.	Cl. of St. M.R.	Mark Applicability and No. Off Per Aircraft														
						1	2	3	4	5	FAW 1	FAW 2								
27A 4027	DR.0396T or DR.0396	COVER, OUTER, MAIN WHEEL (TUBELESS) ... (35 x 10-00 -17) (Pw-Dunlop Bando 25718)	—	—		2														
		COVER, OUTER, MAIN WHEEL ... (CONVENTIONAL) (35 x 10-00 -17)	—	—		2														
27A 4028	DR.7195T or DR.7195	COVER, OUTER, NOSE WHEEL (TUBELESS) ... (24 x 7-25 -12)	—	—		1	1													
		COVER, OUTER, NOSE WHEEL ... (CONVENTIONAL) (24 x 7-25 -12)	—	—		1	2													
27A/369	DR.0397T	COVER, OUTER, MAIN WHEEL (TUBELESS) (Dunlop Bando 25718)	—	—	P	2	2													

SEA VIXEN

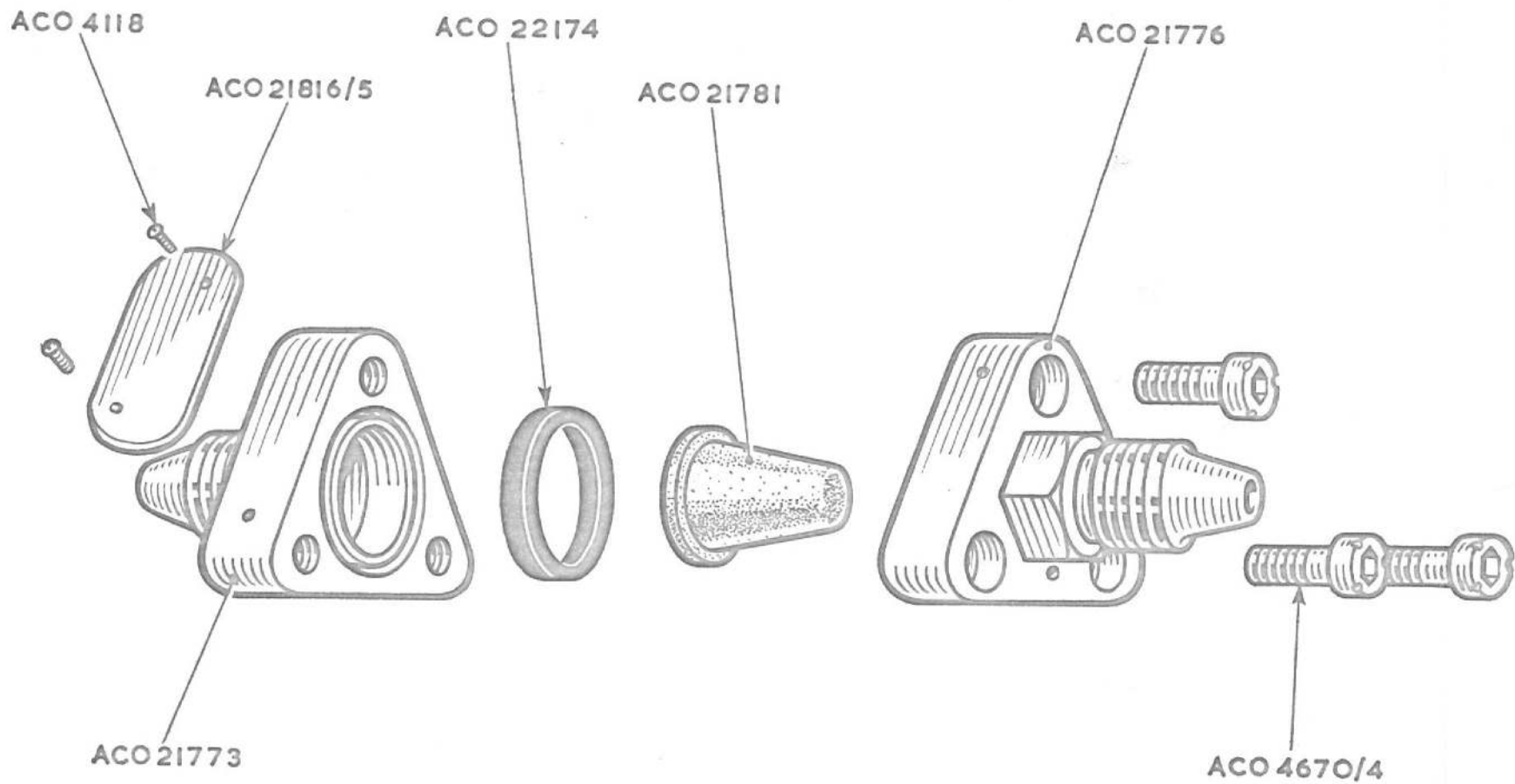
RESTRICTED

Ref. No.	Part No.	Description						No. Off	Matl. Spec.	Cl. of St.	Mark Applicability and No. Off Per Aircraft												
			1	2	3	4	5				FAW												
												1											
27VA/5419	ACM.18906	CYLINDER, MASTER, ASSEMBLY						—	—	P	2												
		Spares for :—																					
27VA/3368	ACO.1522	Bush , piston and end cover						2	DTD.164	C													
27VA/5362	ACO.23309	Bush , valve seal						1	S.61, S.62 or S.80	C													
27VA/2992	ACO.1520	Circlip , $\frac{7}{16}$ " internal type						1	—	C													
27VA/4284	ACO.20027	CAP, FILLER, GROUP						1	—	C													
27VA/2993	ACO.4576	Connection , $\frac{1}{8}$ " BSP						1	S.61 or S.62	C													
27VA/4276	ACO.6060	Cover , dust						1	L.62	C													
27VA/4430	ACO.6059	Cover , end						1	L.64	C													
28P/13625	SP.9 A4	Pin , split, $\frac{1}{8}$ " dia. \times $\frac{1}{2}$ " long						1	—	C													
27VA/5420	ACO.23308	Ring , sealing, cylinder piston						1	Rubber Spec. PXG	C													
27VA/4145	ACO.9054	Seal , valve						1	Rubber Spec. PXG	C													
27VA/4146	ACO.9083	Sleeve , adjustment, valve						1	S.80	C													
27VA/4850	ACO.20540	Sleeve , protection... ..						1	GCQ Alum	C													
27VA/4851	ACO.20129	Spring , return						1	DTD.215	C													
27VA/4143	ACO.9056	Spring , valve						1	DTD.215	C													
27VA/5360	ACO.23310	Valve						1	S.62 or S.80	C													
27G/1871	AHO.4861	Washer , sealing, connection						1	L.17	C													
27VA/4852	ACO.20539	Washer , sealing, end cover						1	GCQ Alum	C													
27VA/3001	ACO.1518	Washer , sealing, filler cap						1	L.17	C													
30A/3055	—	Wire , locking, 22 SWG						QR	DTD.189	C													

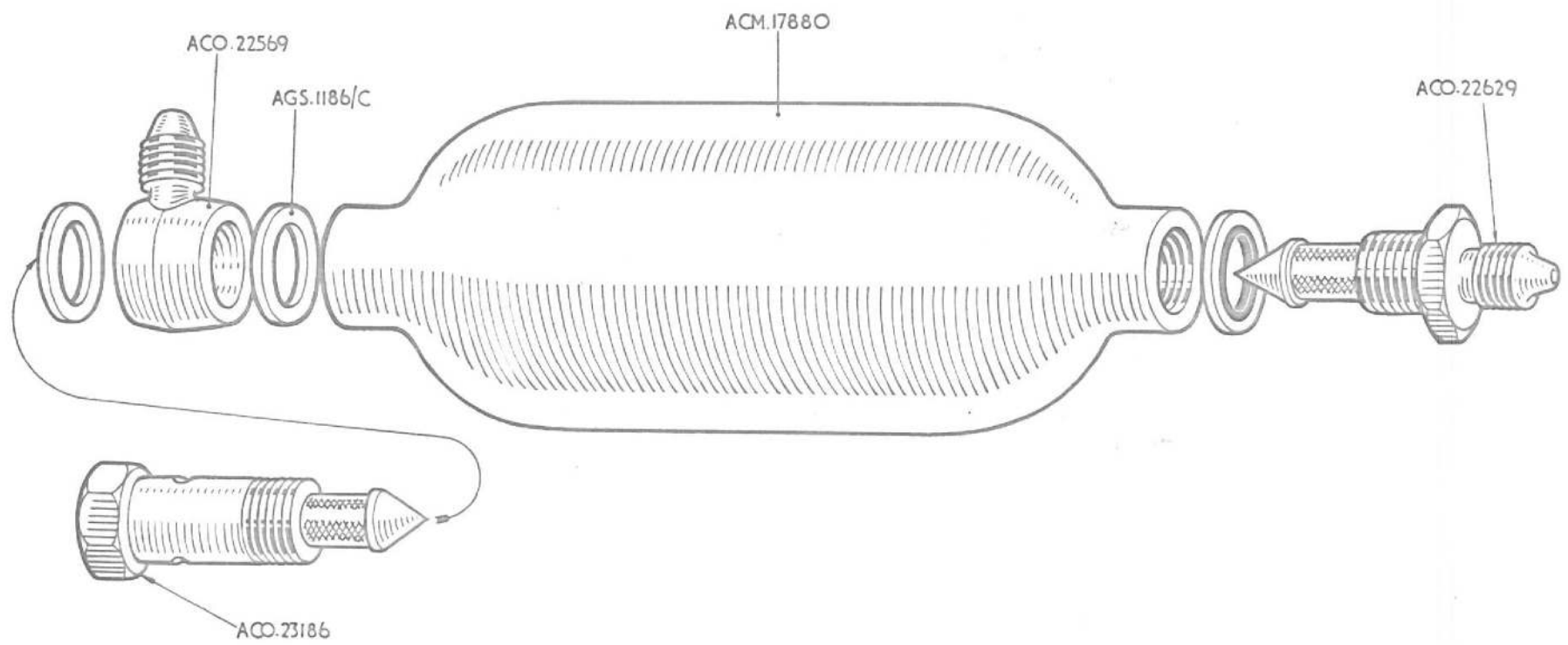


ACM.16738

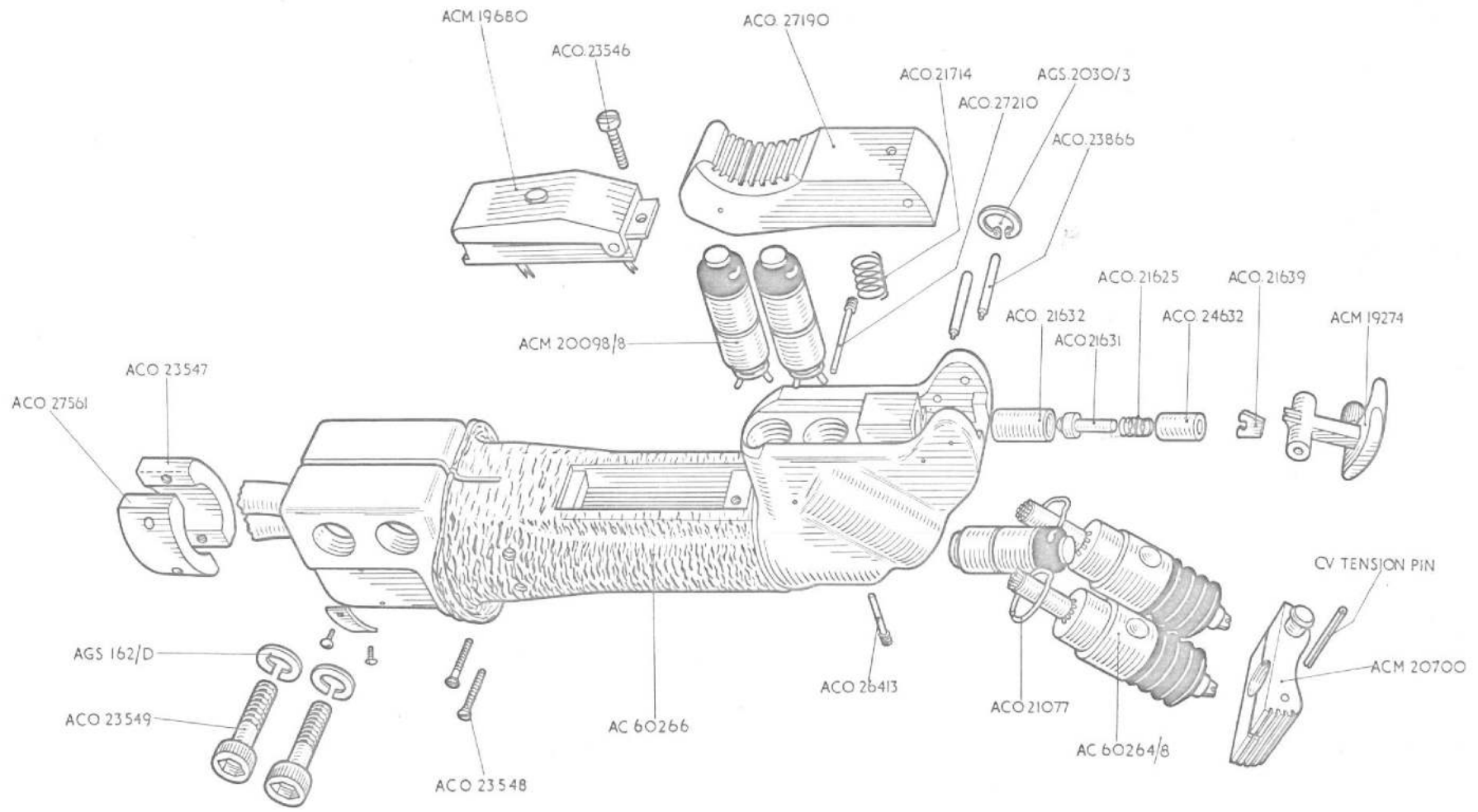
DATE 111 1980 111 167 2



ACM183O2



ACM.18534



AC 14362

RESTRICTED

Ref. No.	Part No.	Description	No. Off	Matl. Spec.	Cl. of St.	Mark Applicability and No. Off Per Aircraft														
						M.R.	FAW 1													
27VA/5310	ACM.18534	DEHYDRATOR, ASSEMBLY ... (Pre Dunlop Mod. 3886) Spares for :—	—	—	P	1														
27VA/5311	ACO.23186	BOLT, BANJO AND FILTER, GROUP Connection, $\frac{1}{4}$ " BSP ...	1	—	C															
27VA/5312	ACO.22569		1	L.64 or L.65	C															
27VA/5313	ACO.22629	CONNECTION AND FILTER, GROUP Seal, bonded ...	1	—	C															
28F/12083	AGS.1186/C		3	—	C															
		TRANSPORTATION & STORAGE ITEMS																		
28N/11404	AGS.596/B	Cap, protection ... Accessories for :—	2	—	C															
27VA/5911	ACO.26591	Alumina (pellet form) ... Supplied for re-charging Dehydrator	1 tin 11ozs	—	C															

SEA VIXEN

ISSUED WITH AMENDMENT LIST No. 5

RESTRICTED

SEA VIXEN

ISSUED WITH AMENDMENT LIST No. 5

Ref. No.	Part No.	Description	No. Off	Matl. Spec.	Cl. of St.	Mark Applicability and No. Off Per Aircraft														
						M.R.	FAW 1	FAW 2												
27VA/6322	ACM.21752	DEHYDRATOR, ASSEMBLY (Dunlop Mod. 3886) Spares for :—	—	—	P	1	1													
	ACO.29404	BANJO BOLT AND FILTER GROUP	1	—																
	ACO.29405	BANJO BOLT (INLET) GROUP	1	—																
	ACO.29408	Connection, banjo	2	—																
28F/9428455	AGS.1186/D	Seal, $\frac{1}{2}$ " BSP	4	—	C															
TRANSPORTATION & STORAGE ITEMS																				
28F/15505	AGS.1236/B	Cap, cone	2	—	C															
28P/1006943	SP.9/C6	Pin, split	2	—	C															
28F/5722	AGS.904/B	Sleeve, outer	2	—	C															
Accessories for :—																				
27VA/5911	ACO.26591	Alumina, activated	1 tin 11ozs	—	C															
Supplied for re-charging Dehydrator																				
27VA/5212	ACM.18302	FILTER, LINE, $\frac{1}{4}$" BSP \times $\frac{1}{4}$" BSP, ASSEMBLY	—	—	P	1	1													
Spares for :—																				
27VA/4961	ACO.21781	Filter, "Porosint"	1	—	C															
27VA/5213	ACO.22174	Ring, sealing	1	—	C															
Rubber Spec. S.2756D																				
27J/365	ACO.4118	Screw, number plate	2	GCQ Dural	C															
27G/2194	ACO.4670/4	Screw, "Unbrako"	3	—	C															

RESTRICTED

Ref. No.	Part No.	Description	No. Off	Matl. Spec.	Cl. of St.	Mark Applicability and No. Off Per Aircraft															
						1 2 3 4 5					FAW 1	FAW 2									
27J/453	AC.14362	HANDLE, CONTROL, ASSEMBLY (Dunlop Mod. 2953) (Sea Vixen Mod. 91) Spares for:—	—	—	P	1	1														
27J/518	ACM.20700	ARM, SELECTOR, ASSEMBLY Spares for:—	1	—	C																
	ACO.23861	Circlip	1	Beryllium	C																
	ACO.26091	Knob, release	1	L646																	
	ACO.26092	Pin, release	1	'K' Monel																	
	ACO.26093	Spring, return	1	BS.2056																	
27J/424	ACO.21632	Bush, trigger	1	DTD.265	C																
28M/12606	AGS.2030/3	Circlip, retaining trigger axis and safety lever spindles	1	—	C																
27J/425	ACO.21077	Circlip, retaining trim switch	2	DTD.236	C																
27J/496	ACO.23547	Clamp, cable	1	L64C or L65C	C																
27J/519	ACM.19274	Lever, safety	1	S80C	C																
27J/429	ACO.21639	Lock, trigger	1	S80B	C																
	ACO.27561	Piece, packing	1	L64C or L65C																	
27J/522	ACO.26413	Pin, retaining, camera switch	1	S80B	C																
	—	Pin, tension, securing selector arm (CV. $\frac{3}{32}$ " dia. \times .650" long)	1	—																	
27J/521	ACO.27210	Pin, retaining, trigger switch	1	S80B	C																
27J/499	ACO.24632	Plunger, clicker	1	S80B	C																
27J/442	ACO.21631	PLUNGER, LOCK GROUP	1	—	C																
27J/523	ACO.23549	Screw, base	2	St. Steel	C																
27J/497	ACO.23548	Screw, cable clamp	2	Duralumin	C																
27J/467	ACO.23546	Screw, securing 'AP' cut-out switch	1	S61 or S62	C																
	—	Sleeve, "Micro Durotube" 9 mm. bore \times 0.5 mm. wall \times 7 ft. 6 in. long	2	—																	
	—	Sleeve, rubber, 1.5 mm. \times 1" to DEF.20, type A2 (Any colour)	2	—																	

SEA VIXEN

ISSUED WITH AMENDMENT LIST No. 8

RESTRICTED

Page 27

SEA VIXEN

ISSUED WITH AMENDMENT LIST No. 8

Ref. No.	Part No.	Description	No. Off	Matl. Spec.	Cl. of St.	Mark Applicability and No. Off Per Aircraft													
						FAW													
						1	2												
	AC.14362	HANDLE, CONTROL, ASSEMBLY (Continued)																	
	—	Sleeve, rubber, 3.0 mm. x 1/2" to DEF.20, type A2 ... (Any colour)	2	—															
	—	Sleeve, rubber, yellow, 1.0 mm. x 1/4" to DEF.20, type A1 (numbered 1-10)	1 set	—															
27J/458	ACO.23866	Spindle, trigger axis	2	BS.2056	C														
27J/435	ACO.21625	Spring, safety lever	1	BS.2056	C														
27J/436	ACO.21714	Spring, trigger release	1	BS.2056	C														
5CW/6928	ACM.19680/8	SWITCH ("AP" CUT-OUT) ASSEMBLY	1	—	P														
		Spares for:—																	
5CW/8535	ACO.9754	Cover, rubber	1	—	C														
5CW/6897	ACM.20098/8	SWITCH, PUSH BUTTON (CAMERA AND TRIGGER) ASSEMBLY	3	—	P														
		Spares for:—																	
5CW/6879	ACO.20549	Cover, rubber (Pre-Dunlop Amdt. M.59)	1	Rubber	C														
5CW/6896	ACO.33258	Cover, rubber (Dunlop Amdt. M.59)	1	Rubber	C														
	AC.60264/8	SWITCH, TRIM, 4-WAY, ASSEMBLY	2	—	P														
		Spares for:—																	
	ACO.26405	Cover, rubber	1	Rubber	C														
27J/520	ACO.27190	TRIGGER AND CLICKER PADS, GROUP	1	—	C														
28W/3099	AGS.162/D	Washer, spring, at base cover screw	2	—	C														
	ACO.28065/8	Wire, connecting	2	—	C														

RESTRICTED

Ref. No.	Part No.	Description	No. Off					Mati. Spec.	Cl. of St. M.R.	Mark Applicability and No. Off Per Aircraft																														
			1	2	3	4	5			FAW 1																														
27G/3099	AC.61116	MAXARET UNIT (L.C.M.)	—	—	P																															
27G/3100	AC.61122	MAXARET UNIT (R.A.M.) (Dunlop Mod. 3728)	—	—	P																															
27G/3164	ACO.8003	BACKPLATE ASSEMBLY Spares for :—	1	—	C																															
27G/3033	ACO.5456	Housing, bearing	1	—	C																															
2A/9500564	—	Ball, 3/8" dia.	50	Steel	C																															
	ACM.21653	BLOCK, VALVE AND MOUNTING BRACKET, L.H., ASSEMBLY (Unit AC.61116)	1	—																																
	ACM.21654	BLOCK, VALVE AND MOUNTING BRACKET, R.H., ASSEMBLY (Unit AC.61122)	1	—																																
27G/3165	ACO.6412	BEAM, VALVE, ASSEMBLY Spares for :—	1	—	C																															
27G/3136	ACO.5463	Beam, valve	1	Steel	C																															
27G/3140	ACO.5493	Pin, exhaust valve	1	S. Steel	C																															
27G/3141	ACO.5494	Pin, inlet valve	1	S. Steel	C																															
27G/3138	ACO.24512	Valve, exhaust	1	CH. Steel	C																															
27G/3137	ACO.24275	VALVE, INLET, AND SLEEVE GROUP	1	—	C																															
27G/3139	ACO.5489	Washer, beam	2	Steel	C																															
27G/3166	ACM.16514	BLOCK, VALVE, ASSEMBLY, L.H. (Unit AC.61116)	1	—	C																															
27G/3167	ACM.16513	BLOCK, VALVE, ASSEMBLY, R.H. (Unit AC.61122)	1	—	C																															
27G/2741	ACO.21721	Adjuster, valve	1	S. Steel	C																															
27G/3124	ACO.28415	BLOCK, VALVE AND DOWEL GROUP, L.H. (Unit AC.61116)	1	—	C																															

SEA VIXEN

RESTRICTED

ISSUED WITH AMENDMENT LIST No. 5

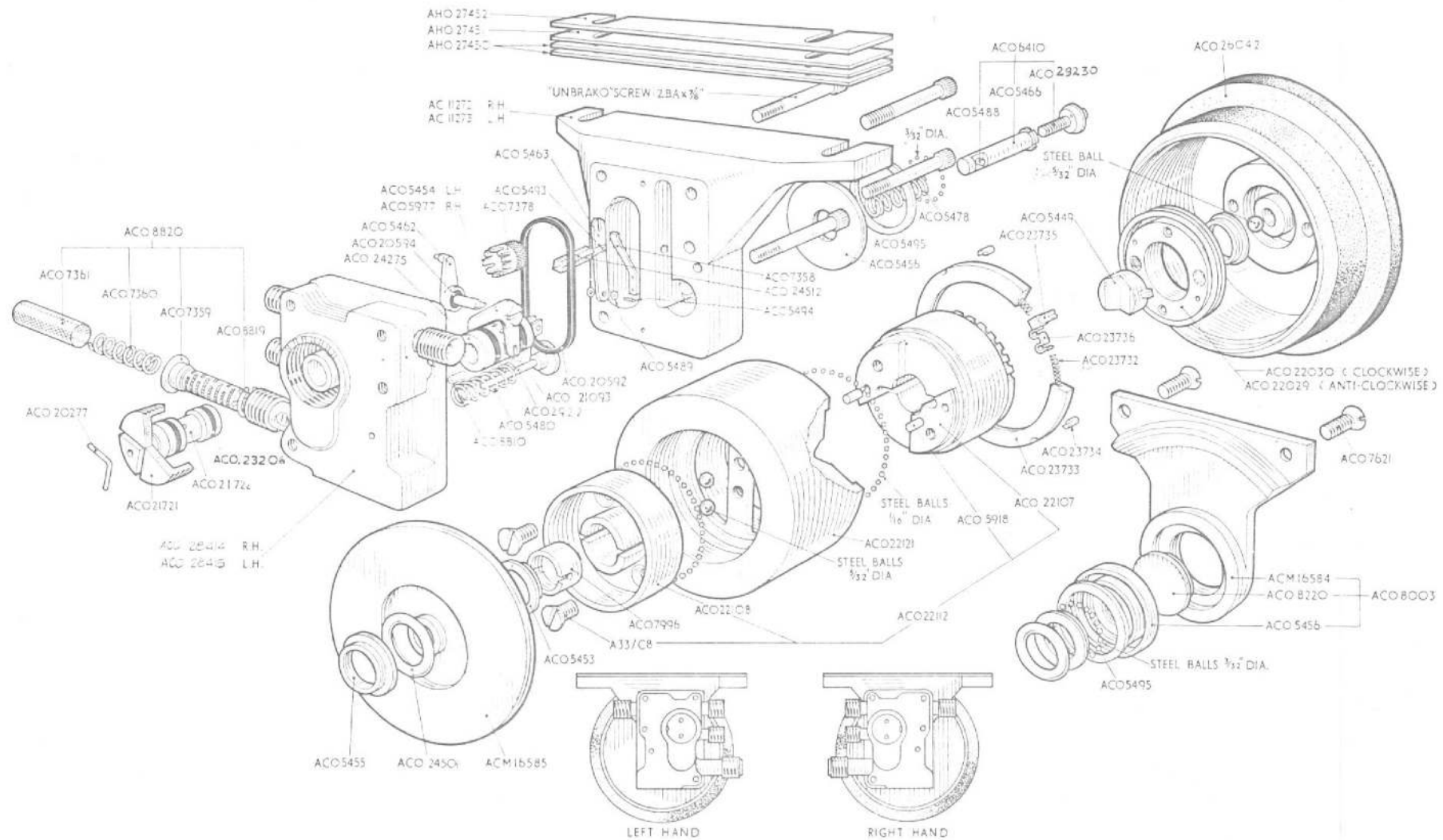
SEA VIXEN

ISSUED WITH AMENDMENT LIST No. 5

Ref. No.	Part No.	Description	No. Off	Matl. Spec.	Cl. of St.	Mark Applicability and No. Off Per Aircraft														
						M.R.	FAW	1												
	AC.61116	MAXARET UNIT (L.C.M.)	—	—	—															
	AC.61122	MAXARET UNIT (R.A.M.)	—	—	—															
		(Continued)																		
27G/3123	ACO.28414	BLOCK, VALVE & DOWEL GROUP, R.H. (Unit AC.61122)	1	—	C															
27G/2708	ACO.23206	Seal, exhaust valve seat	2	Rubber	C															
27G/3126	ACO.21093	Seal, inlet sleeve	2	Rubber	C															
27G/2742	ACO.21722	Seat, exhaust valve	1	S. Steel	C															
27G/3168	ACM.16591	BRACKET, MOUNTING, L.H. ASSEMBLY (Unit AC.61116)	1	—	C															
27G/3169	ACM.16592	BRACKET, MOUNTING, R.H. ASSEMBLY ... (Unit AC.61122)	1	—	C															
		Spares for :—																		
27G/3033	ACO.5456	Housing, bearing	2	Steel	C															
27G/3131	ACO.5462	Lever, inner	1	Steel	C															
27G/3129	ACO.5454	Lever, outer L.H. (Unit AC.61116)	1	Steel	C															
27G/3130	ACO.5977	Lever, outer R.H. (Unit AC.61122)	1	Steel	C															
27G/3134	ACO.6410	ROD, THRUST, GROUP	1	—	C															
27G/3133	ACO.20594	Seal, lever	1	Rubber	C															
27G/3135	ACO.7358	Spring, exhaust valve	1	Sp. Steel	C															
27G/3132	ACO.5478	Spring, thrust rod	1	Sp. Steel	C															
27VA/5272	ACO.7378	FILTER GROUP	1	—	C															
27G/3161	ACO.8810	Plug, sealing	1	Alum	C															
	ACO.29221	Rod, indicator	1	St. Steel	C															
27G/3160	—	Screw, socket head, "Unbrako" type "C" 2 BA × 3/8" long under head	4	—	C															
27G/2740	ACO.20592	Seal, valve block	1	Rubber	C															
27G/2979	ACO.5480	Spring, indicator rod	1	Sp. Steel	C															
27G/2422	ACO.8820	FILTER INLET ASSEMBLY	1	—	C															
		Spares for :—																		
27G/3150	ACO.7359	Body, filter	1	—	C															

SEA VIXEN

Ref. No.	Part No.	Description	No. Off	Matl. Spec.	Cl. of St.	Mark Applicability and No. Off Per Aircraft														
						M.R.	FAW	1												
—	AC.61116	MAXARET UNIT (L.C.M.)	—	—	—															
—	AC.61122	MAXARET UNIT (R.A.M.)	—	—	—															
		(Continued)																		
27G/3157	ACO.23734	Peg, locking	2	St. Steel	C															
27G/3155	ACO.23732	Spring	1	St. Steel	C															
27G/3146	ACO.22029	RING, DRIVE (ANTI-CLOCKWISE) GROUP	1	—	C															
		(Unit AC.61122)																		
27G/3147	ACO.22030	RING, DRIVE (CLOCKWISE) GROUP	1	—	C															
		(Unit AC.61116)																		
27G/2926	ACM.20634	Shell	1	M.S.	C															
27G/2775	ACO.24501	Shim	2	—	C															
27G/2440	AHO.27450	Shim, .010" thick	2	L.70	C															
27G/2547	AHO.27451	Shim, .032" thick	1	L.70	C															
27G/2580	AHO.27452	Shim, .064" thick	1	L.70	C															
27G/2924	ACO.26042	SLEEVE AND TYRE GROUP	1	—	P															
		TRANSPORTATION & STORAGE ITEMS																		
28P/9429619	SP.9/C5	Pin, split	3	—	C															
28P/1006943	SP.9/C6	Pin, split	1	—	C															
28F/10482	AGS.1140/A	Plug, nipple	3	—	C															
28F/8212	AGS.1140/B	Plug, nipple	1	—	C															
28F/5721	AGS.904/A	Sleeve, outer	3	—	C															
28F/5722	AGS.904/B	Sleeve, outer	1	—	C															
30A/3055	—	Wire, locking, 22 SWG	QR	DTD.189	C															



AC 61116 L.C.M. AC 11514 R.C.M.
 AC 11516 L.A.M. AC 61122 R.A.M.

DRAWING WITH ADJUSTMENT LIST NO. 1

RESTRICTED

Ref. No.	Part No.	Description	No. Off	Mat. Spec.	Cl. of St.	Mark Applicability and No. Off Per Aircraft												
						1	2											
27G 3106	AC.61108	MAXARET UNIT (L.C.M.)	—	—	P	1	1							
27G 3107	AC.61114	MAXARET UNIT (R.A.M.)	—	—	P	1	1							
		Spares for :—																
27G 3181	ACM.18524	BACKPLATE AND BUSHES GROUP	1	—	C									
2A 9500564	—	Ball, $\frac{3}{32}$ " dia.	47	Steel	C									
	ACM.21651	BLOCK, VALVE AND MOUNTING BRACKET, L.H. ASSEMBLY (Unit AC.61108)	1	—	C									
	ACM.21652	BLOCK, VALVE AND MOUNTING BRACKET, R.H. ASSEMBLY (Unit AC.61114)	1	—	C									
		Spares for :—																
27G 2977	ACO.20291	BEAM, VALVE, ASSEMBLY	1	—	C									
		Spares for :—																
27G 3212	ACO.20281	Beam, valve	1	Steel	C									
27G 3140	ACO.5493	Pin, valve	2	St. Steel	C									
27G 3218	ACO.24509	Valve	2	—	C									
27G 3175	ACM.18627	BLOCK, VALVE, L.H. ASSEMBLY (Unit AC.61108)	1	—	C									
27G 3176	ACM.18626	BLOCK, VALVE, R.H. ASSEMBLY (Unit AC.61114)	1	—	C									
		Spares for :—																
27G 2972	ACO.23409	BLOCK, VALVE L.H. AND DOWEL GROUP (Unit AC.61108)	1	—	C									
27G 2971	ACO.23410	BLOCK, VALVE R.H. AND DOWEL GROUP (Unit AC.61114)	1	—	C									
27G 3206	ACO.25489	ROD, FULCRUM AND SPRING GROUP	1	—	C									
27G 2708	ACO.23206	Seal, exhaust valve	4	Rubber	C									
27G 2746	ACO.20830	SEAT, VALVE, GROUP	1	—	C									

SEA VIXEN

RESTRICTED

ISSUED WITH AMENDMENT LIST No. 5

Ref. No.	Part No.	Description	No. Off	Matl. Spec.	Cl. of St.	Mark Applicability and No. Off Per Aircraft														
						M.R.	FAW	1												
—	AC.61108	MAXARET UNIT (L.C.M.)	—	—	—															
—	AC.61114	MAXARET UNIT (R.A.M.)	—	—	—															
		(Continued)																		
27G/3173	ACM.18536	BRACKET, MOUNTING, L.H. ASSEMBLY ... (Unit AC.61108)	1	—	C															
27G/3174	ACM.18545	BRACKET, MOUNTING, R.H. ASSEMBLY ... (Unit AC.61114)	1	—	C															
	ACM.18525	Spares for :— BRACKET, MOUNTING AND BUSHES, L.H. GROUP (Unit AC.61108)	1	—																
	ACM.18544	BRACKET, MOUNTING AND BUSHES, R.H. GROUP (Unit AC.61114)	1	—																
27G/3033	ACO.5456	Housing, bearing	1	Steel	C															
27G/2984	ACO.20980	Lever, inner	1	Steel	C															
27G/2983	ACO.20978	Lever, outer L.H. (Unit AC.61108)	1	Steel	C															
27G/2982	ACO.20979	Lever, outer R.H. (Unit AC.61114)	1	Steel	C															
27G/2981	ACO.22276	ROD, THRUST, GROUP	1	—	C															
27G/2986	ACO.20986	Seal, inner lever	1	—	C															
27G/2985	ACO.20991	Spring, thrust rod	1	Sp. Steel	C															
27VA/5272	ACO.7378	FILTER GROUP	1	—	C															
27G/3161	ACO.8810	Plug, sealing	1	Alum	C															
27G/3110	ACO.29199	Rod, indicator	1	St. Steel	C															
27G/3160	—	Screw, socket head, "Unbrako" type "C", 2 BA x $\frac{7}{8}$ " long under head	6	—	C															
27G/2740	ACO.20592	Seal, valve block	1	Rubber	C															
27G/2979	ACO.5480	Spring, indicator rod	1	Sp. Steel	C															
27G/2744	ACO.22182	Block, pivot	2	S.80B	C															
28D/12533	A.25/5C	Bolt, 2 BA	2	—	C															
27G/2717	ACO.20280	Pin, locking valve seat	2	S.St.Wire	C															
27G/3111	ACO.29200	Plug, sealing, indicator rod	1	—	C															
27G/2697	ACO.5495	Seal, felt	2	Felt	C															

RESTRICTED

Ref. No.	Part No.	Description					No. Off	Mati. Spec.	Cl. of St.		Mark Applicability and No. Off Per Aircraft												
									M.R.	FAW 1													
											1	2	3	4	5								
—	AC.61108	MAXARET UNIT (L.C.M.) ...					—	—	—														
—	AC.61114	MAXARET UNIT (R.A.M.) ...					—	—	—														
		(Continued)																					
	ACM.20766	SHELL, FLYWHEEL (ANTI-CLOCKWISE) ASSEMBLY (Unit AC.61114) ...					1	—	—														
	ACM.20765	SHELL, FLYWHEEL (CLOCKWISE) ASSEMBLY (Unit AC.61108) ...					1	—	—														
		Spares for :—																					
2A/9500566	—	Ball, $\frac{5}{32}$ " dia. ...					2	—	C														
27G/2743	ACO.5453/A	Bearing } Selective Assembly ...					2	BSS.369	C														
27G/2822	ACO.5453/B	Bearing } ...																					
27G/2823	ACO.5453/C	Bearing } ...																					
27G/2698	ACO.5455	Bush ...					2	EN.31	C														
27G/2991	ACO.5449	Cam ...					1	Steel	C														
27G/2992	ACO.5450	Pad, thrust ...					1	Steel	C														
27G/3447	ACM.18497	FLYWHEEL ASSEMBLY ...					1	—	C														
		Spares for :—																					
2A/9500563	—	Ball, $\frac{1}{16}$ " dia. ...					200	—	C														
27G/3207	ACO.22188	DRUM, GROUP ...					1	—	C														
27G/2988	ACO.22191	FLYWHEEL, PLAIN HALF GROUP ...					1	—	C														
27G/2987	ACO.22193	FLYWHEEL, SPRING HALF GROUP ...					1	—	C														
27G/2994	ACO.22184	Rivet, flywheel (Dunlop Amdt. 28304) ...					4	—	C														
27G/2995	ACO.22197	Spring, main ...					1	—	C														
27G/2996	ACO.22179	Webb, flywheel ...					1	—	C														
27G/3179	ACO.22187	RING, DRIVE, GROUP ...					1	—	C														
27G/2775	ACO.24501	Shim ...					2	—	C														
27G/3180	ACO.30092	Shim ...					QR	—	C														
27G/2929	ACO.26635	SLEEVE AND TYRE GROUP ...					1	—	C														
28L/16236	SP.46/C	Washer, locking, $\frac{3}{16}$ " dia. ...					2	—	C														
30A/3055	—	Wire, locking, 22 SWG ...					QR	DTD.189	C														
27G/3443	ACO.30107	RIVET, flywheel (Dunlop Amdt. 28304) ...					4	—	C														

SEA VIXEN

ISSUED WITH AMENDMENT LIST No. 5

RESTRICTED

SEA VIXEN

ISSUED WITH AMENDMENT LIST No. 5

Ref. No.	Part No.	Description	Mark Applicability and No. Off Per Aircraft					No. Off	Matl. Spec.	Cl. of St.	M.R.	FAW 1																														
			1	2	3	4	5																																			
—	AC.61108	MAXARET UNIT (L.C.M.)				—	—	—																																
—	AC.61114	MAXARET UNIT (R.A.M.)				—	—	—																																
		(Continued)																																								
		TRANSPORTATION & STORAGE ITEMS																																								
28P 9429619	SP.9/C.5	Pin, split	4	—	C																																
28F 10482	AGS.1140/A	Plug, nipple	4	—	C																																
28F 5721	AGS.904/A	Sleeve	4	—	C																																

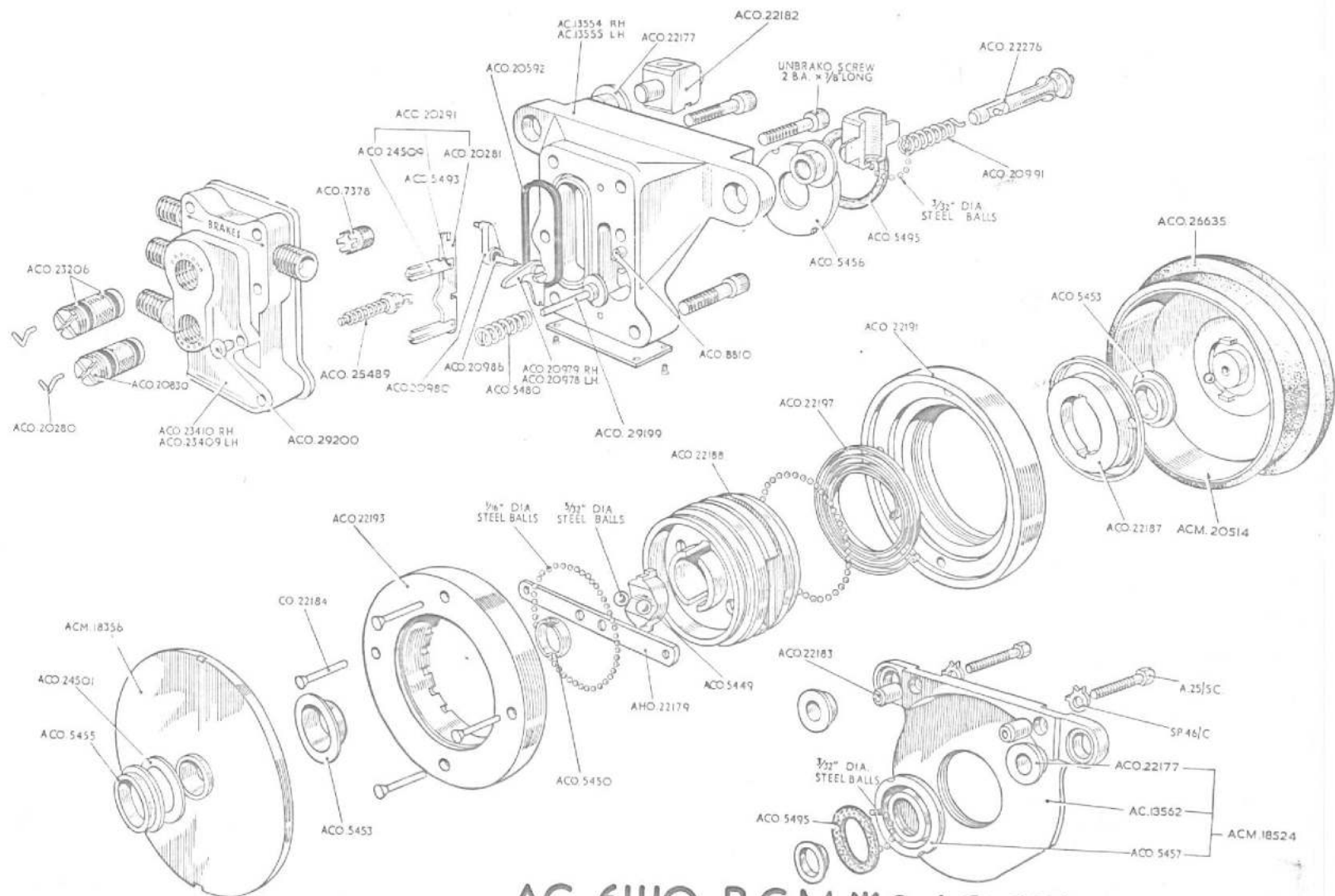
RESTRICTED

Ref. No.	Part No.	Description	No. Off	Matl. Spec.	Cl. of St.	Mark Applicability and No. Off Per Aircraft															
						1	2	3	4	5	FAW										
											M.R.	1	2								
		Items used in the installation of Maxaret Units AC.61108 and AC.61114 are shown on Maxaret Installation Drawings AH.51353 and AH.51354 and are as follows:— (Dunlop Mod. 3489 and Dunlop Mod. 4089)																			
27G/5921	AHO.37403	Bolt, attachment, 1/4" BSF	—	—	C																
28D/ 1212386	A.25/11G	Bolt, 5/16" BSF	—	—	C																
27G/6616	AHM.5467	BRACKET, MAXARET ASSEMBLY	—	—	C																
27G/6617	AHM.5468		BRACKET, MAXARET ASSEMBLY	—	—	C															
27G/3477	2/1212A/700/ 8/10/5.0"	HOSE ASSEMBLY	—	—	C																
27G/3000	AHO.70343/ 12.25"	HOSE ASSEMBLY	—	—	C																
27G/2998	AHO.70343/ 13.00"	HOSE ASSEMBLY	—	—	C																
27G/3444	AHO.28533	Nut	—	—	C																
27G/2997	DAS.549/G1	Nut, "Nylac"	—	—	C																
27G/6036	ACO.22180	Piece, packing	—	—	C																
27G/2757	AHM.4455	PIPE, FEED, GROUP (Unit AH.51350)	—	—	C																
27G/2761	AHM.4459	PIPE, FEED, GROUP (Unit AH.51351)	—	—	C																
27G/6361	ACO.27812	Spring	—	—	C																
	ACO.22199	Stud	—	—	C																
28W/ 9419403	SP.13/G	Washer	—	—	C																

SEA VIXEN

ISSUED WITH AMENDMENT LIST No. 8

Ref. No.	Part No.	Description	No. Off	Matl. Spec.	Cl. of St.	Mark Applicability and No. Off Per Aircraft		:									
						M.R.	FAW 1										FAW 2
		Items used in the installation of Maxaret Units AC.61108 and AC.61114 are shown on Maxaret Installation Drawings AH.52262 and AH.52263 and are as follows:— (Dunlop Mod. 4351)															
27G/5921	AHO.37403	Bolt, attachment, 1/4" BSF	—	—	C	—	4										
28D/ 1212386	A.25/11G	Bolt, 5/16" BSF	—	—	C	—	2										
27G/6616	AHM.5467	BRACKET, MAXARET, ASSEMBLY (Unit AH.52181)	—	—	C	—	1										
27G/6617	AHM.5468	BRACKET, MAXARET, ASSEMBLY (Unit AH.52182)	—	—	C	—	1										
27G/3477	2/1212A/700/ 8/10/5.0"	HOSE ASSEMBLY	—	—	C	—	2										
27G/3536	AHO.72110/2	HOSE ASSEMBLY (For Brake Unit AH.52181)	—	—	C	—	1										
27G/3538	AHO.72110/4	HOSE ASSEMBLY (For Brake Unit AH.52181)	—	—	C	—	1										
27G/3535	AHO.72110/1	HOSE ASSEMBLY (For Brake Unit AH.52182)	—	—	C	—	1										
27G/3537	AHO.72110/3	HOSE ASSEMBLY (For Brake Unit AH.52182)	—	—	C	—	1										
27G/3444	AHO.28533	Nut ...	—	—	C	—	2										
27G/2997	DAS.549/G1	Nut, "Nylac"	—	—	C	—	2										
27G/6036	ACO.22180	Piece, packing	—	—	C	—	2										
27G/2757	AHM.4455	PIPE, FEED, GROUP (Unit AH.52181)	—	—	C	—	1										
27G/2761	AHM.4459	PIPE, FEED, GROUP (Unit AH.52182)	—	—	C	—	1										
27G/6361	ACO.27812	Spring	—	—	C	—	2										
	ACO.22199	Stud ...	—	—	C	—	2										
28W/ 9419403	SP.13/G	Washer	—	—	C	—	4										



AC. 61110 R.C.M. * & AC. 61112 L.A.M. *
 AC. 61108 L.C.M. † & AC. 61114 R.A.M. †

ISSUED WITH AMENDMENT LIST NO. 6

RESTRICTED

Ref. No.	Part No.	Description	No. Off	Matl. Spec.	Cl. of St.	Mark Applicability and No. Off Per Aircraft															
						M.R.	FAW 1														
27WW/	AC.14958	MOTOR, WINDSCREEN WIPER (HYDRAULIC) ASSEMBLY	—	—	P		1														
		Spares for :—																			
2A/9424323	—	Ball, $\frac{1}{8}$ " dia.	2	—	C																
2A/9500415	Hoffmann CS.5 Skefko CBS.4	Bearing, pinion shaft (1 spot) (Fit Dunlop Amde. 2805X)	2	—	C																
27WW/348	ACO.20551	Bolt, banjo	2	S1.B	C																
27WW/349	ACO.4598	Bolt, $\frac{1}{4}$ " BSF, c/sk. hd. rack and pinion housing	1	S.80B	C																
27WW/130	AHO.21015	Catch	1	S.94B, S.95B or S.96B	C																
27WW/131	AHO.21020	Circlip, retaining, stationary tube	1	DTD.215	C																
28N/12605	AGS.2030/14	Circlip, $\frac{1}{4}$ " internal type	2	—	C																
27WW/488	ACO.20550	Connection, banjo, $\frac{1}{4}$ " BSP. inlet	1	L.64C	C																
27WW/350	ACO.20523	Connection, banjo, $\frac{1}{4}$ " BSP. outlet	1	L.64C	C																
27WW/489	ACO.21757	CRANK, GROUP	1	—	C																
—	ACM.18712	CYLINDER, PARKING, ASSEMBLY	1	—	C																
		Spares for :—																			
27WW/348	ACO.20551	Bolt, banjo	1	S.1B	C																
27WW/488	ACO.20550	Connection, banjo, $\frac{1}{4}$ " BSP	1	L.64C	C																
27WW/535	ACO.22682	Cylinder	1	L.64C, L.65C or DTD.423	C																
27WW/424	ACO.9786	Plug, cylinder	1	L.64C, L.65C or DTD.423	C																
27WW/423	ACO.9780	Plunger	1	L.64C	C																
28F/12049	AGS.1186 F	Seal, bonded plug	1	—	C																
28F/12047	AGS.1186/A	Seal, bonded, banjo connection	2	—	C																
27WW/425	ACO.9784	Seal, plunger	1	Rubber HXH	C																
27WW/278	Hoffmann CS.5 Skefko CBS.4 AC.14958	Bearing, E/O Fit (Dunlop Amde. 2805X)	2	—																	

SEA VIXEN

RESTRICTED

ISSUED WITH AMENDMENT LIST No. 2

Ref. No.	Part No.	Description	Mark Applicability and No. Off Per Aircraft					No. Off	Matl. Spec.	Cl. of St.													
			1	2	3	4	5				M.R.	FAW 1											
—	AC.14958	MOTOR, WINDSCREEN WIPER (HYDRAULIC), ASSEMBLY							—														
		(Continued)							—														
—	ACM.17341	Housing, rack and pinion ...						1	L.64E														
28M/13266	A.24/ES	Nut, slotted, 1/4" BSF clamping ...						1	—		C												
28M/10288	AGS.2001/C1	Nut, stiff, 2 BA retaining piston ...						1	—		C												
28M/10326	AGS.2002/A1	Nut, stiff, 6 BA retaining valve ...						1	—		C												
27WW/233	ACO.5696	Piece, distance, piston rod ...						1	S.14B		C												
27WW/534	ACO.21313	Piece, distance, valve ...						1	S.80B		C												
27WW/137	AHO.21014	Pin, outer tube and catch ...						1	DTD.5 or DTD.215		C												
27WW/188	ACO.6788	Pin, outer tube and valve stem ...						1	DTD.5 or DTD.215		C												
27WW/136	AHO.22040	Pin, pivot, crank ...						1	S.94B, S.95B or S.96B		C												
28P/12431	SP.9/C.6	Pin, split, 1/8" dia. ...						1	—		C												
27WW/234	ACO.5698	Piston ...						1	S.1B		C												
—	ACO.4597	Plate, tie ...						1	S.3 or S.510		C												
28R/1396	AGS.216/A	Plug, 1/8" BSP, body ...						3	—		C												
28R/1397	AGS.216.13	Plug, 1/8" BSP, valve base ...						1	—		C												
27WW/189	ACO.6980	Plug, 1/8" BSP, outer tube base ...						1	S.61B, S.62B or S.80B		C												
—	ACO.27255	Plug, housing, pinion shaft seal ...						1	BS.249 or BS.251		C												
27WW/428	ACO.4594	Plug, retaining, pinion shaft housing ...						1	L.64C or L.65C		C												

RESTRICTED

Ref. No.	Part No.	Description	No. Off	Matl. Spec.	Cl. of St.	Mark Applicability and No. Off Per Aircraft														
						M.R.	FAW 1													
—	AC.14958	MOTOR, WINDSCREEN WIPER (HYDRAULIC), ASSEMBLY (Continued)	—	—	—															
—	ACM.20683	RACK AND PISTON ROD, GROUP	1	—	—															
27WW/238	ACO.5694	Retainer, piston rod seal	1	S.1B	C															
28S/2814	A.33/C.16	Screw, 2 BA, inspection cover	5	—	C															
28F/12047	AGS.1186/A	Seal, bonded, plugs and banjo bolt	7	—	C															
28F/12083	AGS.1186/CC	Seal, bonded, parking cylinder	1	—	C															
27WW/42	AHO.22044	Seal, inspection cover	1	Rubber	C															
27WW/430	AHO.21386	Seal, pinion shaft	1	Comp. 1151 Gaco P.90	C															
27WW/231	AHO.22147	Seal, piston	1	Gaco P.90	C															
27WW/232	ACO.5695	Seal, piston rod	1	Gaco P.90	C															
27WW/37	AHO.21053	Seal, rack and pinion housing	1	Rubber	C															
27WW/89	AHO.21038	Seal, valve stem	1	Comp. 614 Gaco P.90	C															
—	ACO.27254	Shaft, pinion	1	St. Steel	C															
27WW/96	AHO.21021	Spring, valve mechanism	2	DTD.215	C															
27WW/432	ACO.9787	Stem, valve	1	S.94B, S.95B or S.96B	C															
27WW/194	ACO.5699	Stop, bottom	1	S.94B, S.95B or S.96B	C															
27WW/147	ACO.4457	Stop, top	1	S.80B	C															
27WW/148	AHO.21010	Tube, locking	1	S.94B, S.95B or S.96B	C															

SEA VIXEN

ISSUED WITH AMENDMENT LIST No. 2

RESTRICTED

RESTRICTED

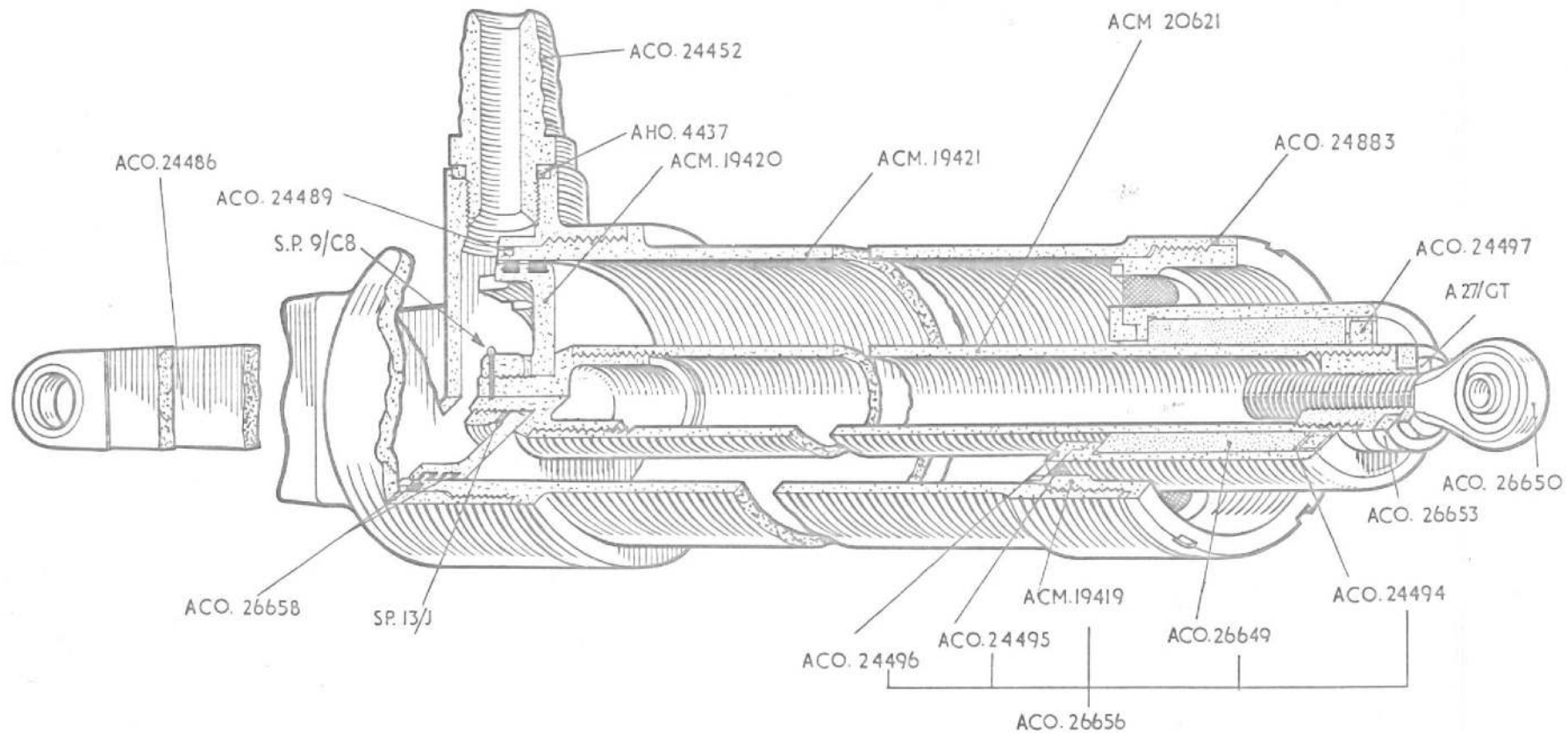
Ref. No.	Part No.	Description	1 2 3 4 5					No. Off	Matl. Spec.	Cl. of St. M.R.	Mark Applicability and No. Off Per Aircraft																
											FAW 1																
27VA 5761	AC.13390	RAM, DAMPER, ASSEMBLY (Dunlop Mod. 3212) ...								P	1																
—	ACO.26656	Spares for :— BEARING, END PIECE, ASSEMBLY ...						1																			
27VA 5769	ACO.24495	Spares for :— Gauge, filter ...						1																			
27VA 5770	ACO.24496	Retainer, gauze ...						1																			
27VA 5775	ACO.24452	Connection, hose, $\frac{1}{4}$ " BSP ...						1	S.61 or S.62	C																	
27VA 5762	ACO.24486	FORK, END, ASSEMBLY ...						1	L.64 or L.65	C																	
27VA 5763	ACO.24488	Spares for :—						1		C																	
28M 13326	A.27 GT	Bush ...						2	DTD.265	C																	
28M 13412	A.24 JS	Nut, hexagon, securing piston rod ...						1		C																	
27VA 5771	ACO.26653	Nut, slotted, securing piston ...						1		C																	
28P 20529	SP.9 C8	Piece, locking, rod end ...						1		C																	
27VA 5774	ACO.24497	Pin, split, at nut securing piston ...						1		C																	
27VA 5764	ACO.26658	Ring, lubricating ...						1		C																	
27VA 5765	ACO.24489	Ring, piston ...						2	Felt	C																	
27VA 5765	ACO.24489	Ring, sealing, body fork end ...						1	Carbon EY.9106	C																	
27VA 5772	ACO.26650	Ring, sealing, body fork end ...						1	Rubber Spec. 108	C																	
—	ACO.26651	ROD-END ASSEMBLY ...						1		C																	
27VA 5766	ACM.20621	Spares for :—						1																			
—	ACO.24483	Bearing, spherical ...						1		C																	
28W 341346	SP.13 J	ROD, PISTON, GROUP ...						1																			
27VA 2955	AHO.4437	Washer, locking, bearing end piece ...						1		C																	
30A 3055	—	Washer, at nut securing piston ...						1		C																	
		Washer, sealing, hose connection ...						1		C																	
		Wire, locking, 22 SWG ...						QR	GCO Alum. DTD.189	C																	

SEA VIXEN

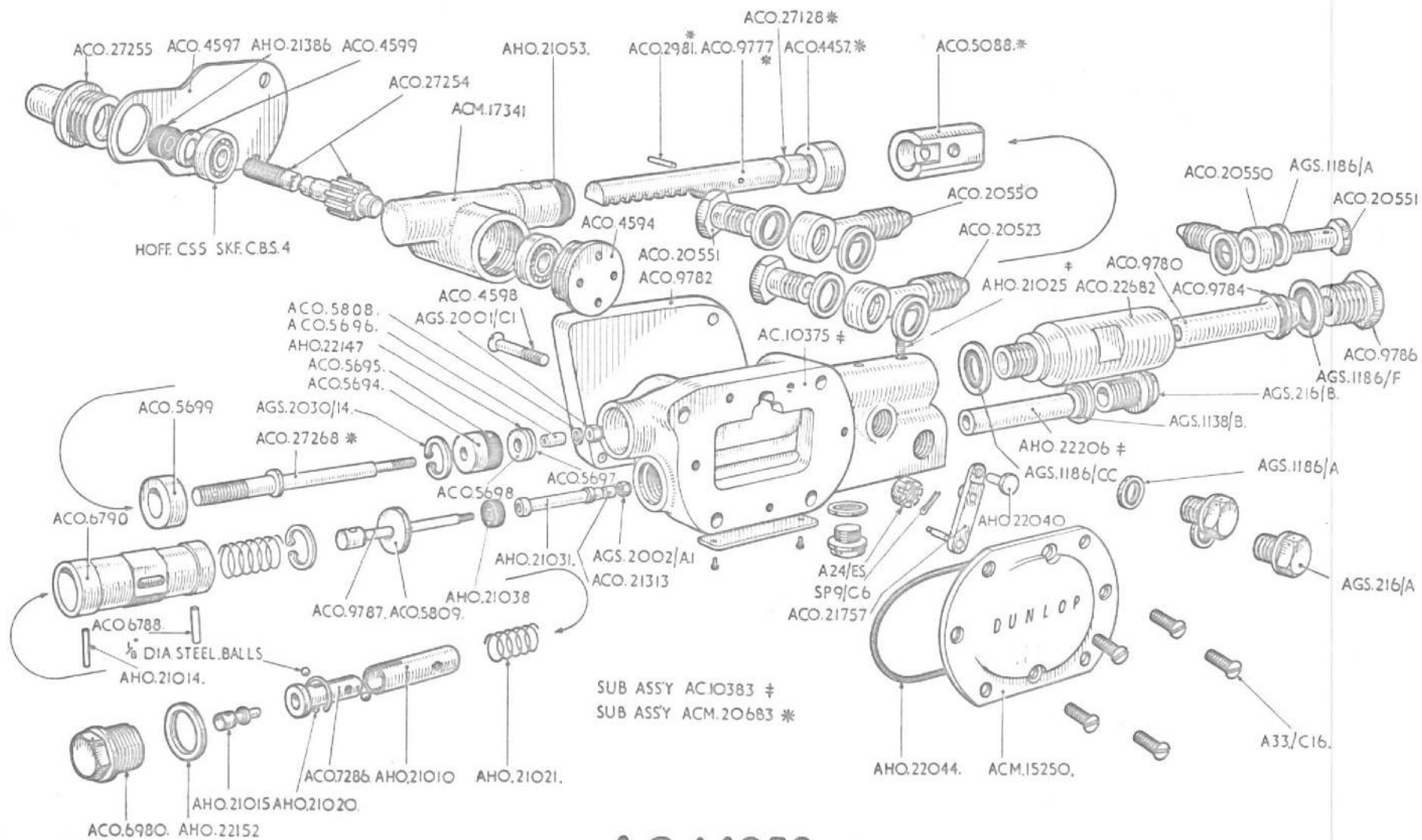
RESTRICTED

ISSUED WITH AMENDMENT LIST No. 2

Ref. No.	Part No.	Description					No. Off	Matl. Spec.	Cl. of St. M.R.	Mark Applicability and No. Off Per Aircraft																																		
		1	2	3	4	5				FAW 1																																		



AC.13390



AC.14958

RESTRICTED

Ref. No.	Part No.	Description	No. Off	Matl. Spec.	Cl. of St.	Mark Applicability and No. Off Per Aircraft												
						M.R.	FAW 1											
		1	2	3	4	5												
27VA/5202	ACM.18570	RELAY, PRESSURE ASSEMBLY Alternative to ACM.18798 Ref. No. 27VA/5284 Spares for:—	—	—	P	2												
27VA/3369	ACO.6698	Head	1	—	C													
27VA/2986	ACO.5856	Nut, lock	1	—	C													
28P/ 1007740	SP.9/B4	Pin, split, $\frac{3}{64}$" dia. $\times \frac{1}{2}$" lg. (Pre-Dunlop Amdt. 29442)	1	—	C													
28P/ 9517006	SP.90/B3	Pin, split (Dunlop Amdt. 29442)	1	—	C													
27VA/6012	ACO.22338	Piston	1	—	C													
27VA/5268	ACO.22341	Retainer	1	—	C													
27VA/2988	ACO.5862	Ring, sealing	1	—	C													
27VA/5267	ACO.22340	Seal, piston	1	—	C													
27VA/5269	ACO.22342	Spring, return, piston	1	—	C													
27VA/2990	ACO.5861	Spring, valve (lower)	1	—	C													
27VA/2989	ACO.5860	Spring, valve (upper)	1	—	C													
27VA/2991	ACO.5858	Valve	1	—	C													
30A/3055	—	Wire, locking, 22 SWG	QR	—														
		TRANSIT ITEMS																
28P/ 1021104	SP.90/C3	Pin, split	2	—	C													
28F/ 1011814	AGS.1140/A	Plug, nipple	2	—	C													
28F/ 9128936	AGS.904/A	Sleeve, outer	2	—	C													

SEA VIXEN

ISSUED WITH AMENDMENT LIST No. 9

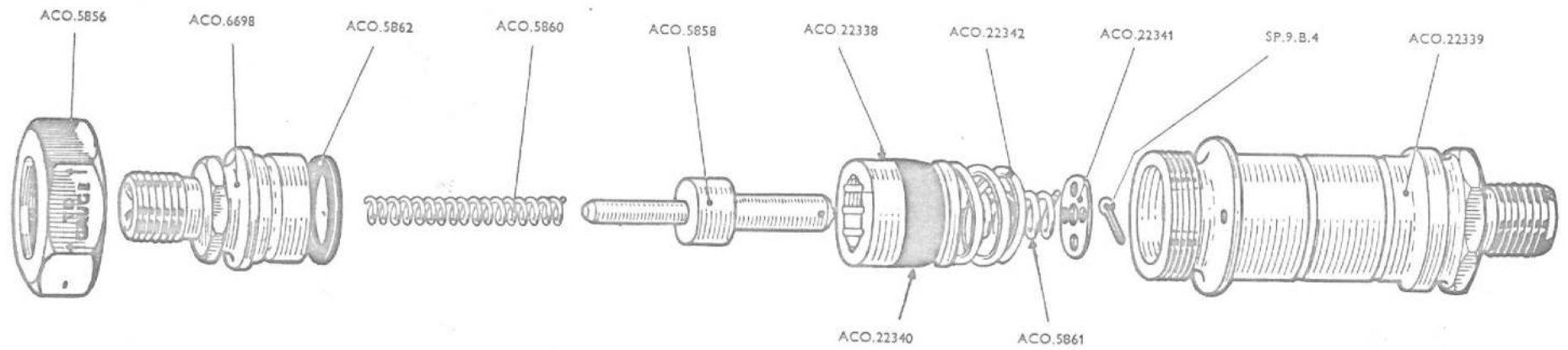
RESTRICTED

Page 51

SEA VIXEN

ISSUED WITH AMENDMENT LIST No. 9

Ref. No.	Part No.	Description	No. Off	Matl. Spec.	Cl. of St.	Mark Applicability and No. Off Per Aircraft																	
						M.R.	FAW 1	FAW 2															
27VA/5284	ACM.18798	<p>RELAY, PRESSURE SWITCH</p> <p>Alternative to ACM.18570 Ref. No. 27VA/5202</p> <p>Spares details for this unit are identical to those quoted for ACM.18570 Ref. No. 27VA/5202</p>	—	—	P	2	2																



ACM.18570

RESTRICTED

Ref. No.	Part No.	Description	No. Off	Matl. Spec.	Cl. of St.	Mark Applicability and No. Off Per Aircraft														
						FAW		1	2											
						M.R.														
27J/325	AHO.26729	SWITCH, "PRESS TO TRANSMIT" ASSEMBLY Spares for :—	—	—	P	1	1													
27J/326	AHO.18707	Box	1	Brass	C															
27J/327	AHO.18721	CONTACT, LOWER, GROUP	2	—	C															
27J/328	AHO.18714	Pin, swivel	1	St. Stl.	C															
27J/329	AHO.18718	Plate, backing, lower contact	1	Tufnol	C															
27J/330	AHO.18719	Plate, carrier	1	Tufnol	C															
27J/331	AHO.26654	PLATE, THUMB, GROUP	1	—	C															
28S/6472	A.33 A.6	Screw, 6 BA, csk. hd.	4	—	C															
5CW/6383	ACM.18686	SWITCH, "TARGET REJECT", ASSEMBLY Spares for :—	—	—	P	1														
—	ACO.4101	Box	1	Brass	C															
27J/327	AHO.18721	CONTACT, LOWER, GROUP	2	—	C															
27J/348	ACO.4119	Pin, swivel	1	S.80	C															
27J/329	AHO.18718	Plate, backing, lower contact	1	Tufnol	C															
27J/330	AHO.18719	Plate, carrier	1	Tufnol	C															
27J/454	ACO.23212	PLATE, THUMB, GROUP	1	—	C															
28S/6472	A.33 A.6	Screw, 6 BA, csk. hd.	4	—	C															

SEA VIXEN

ISSUED WITH AMENDMENT LIST No. 2

RESTRICTED

Ref. No.	Part No.	Description	No. Off	Matl. Spec.	Cl. of St. M.R.	Mark Applicability and No. Off Per Aircraft																															
											FAW 1																										
						1	2	3	4	5																											

RESTRICTED

Ref. No.	Part No.	Description	No. Off	Matl. Spec.	Cl. of St. M.R.	Mark Applicability and No. Off Per Aircraft											
											FAW 1						
						1	2	3	4	5							
27A/3739	DT.0307	TUBE, INNER, MAIN WHEEL (35 × 10.00 —17) Spares for :—	—	—	—	2											
27A 3173	Schrader 2525	Cap	1	—	C												
27A 3174	Schrader 6100E	Core	1	—	C												
27A 2257	Schrader 9710	Nut	1	—	C												
	Schrader 4046	Washer	1	—													
	FB.2*	TUBE, INNER, NOSE WHEEL (Pre Dunlop Amdt. 23805) (24 × 7.25 —12)	—	—		1											
	DT.7100	TUBE, INNER, NOSE WHEEL (Dunlop Amdt. 23805) (24 × 7.25 —12) Spares for :—	—	—		1											
27A 3173	Schrader 2525	Cap	1	—	C												
27A 3174	Schrader 6100E	Core	1	—	C												
27A 2257	Schrader 9710	Nut	1	—	C												
	Schrader 725	Washer	1	—													

SEA VIXEN

RESTRICTED

RESTRICTED
SEA VIXEN

Ref. No.	Part No.	Description					No. Off	Matl. Spec.	Cl. of St. M.R.	Mark Applicability and No. Off Per Aircraft																		
		1	2	3	4	5				FAW 1																		

RESTRICTED

Ref. No.	Part No.	Description	No. Off	Matl. Spec.	Cl. of St.	Mark Applicability and No. Off Per Aircraft											
						FAW											
						1	2										
1	2	3	4	5													
27G/2848	AC.14524	VALVE, BRAKE CONTROL (HYDRAULIC) Mk. 3 ASSEMBLY	—	—	P	1	1										
		Spares for:—															
27G/2885	ACO.23584	BEAM, CROSS, GROUP (Pre-Dunlop Mod. 3751)	1	—													
2A/ 9501446	Torrington B.34	Bearing, needle, roller, parking lever	1	—													
27VA/2964	ACO.4680	Bearing, spring	4	—	C												
28D/ 9436920	A.25/1C	Bolt, securing exhaust connection blanking plate ...	2	—	C												
27G/2880	ACO.23516	Bolt, tubular, securing lever bracket	1	—													
27G/2625	ACO.21759	Bush, plunger	4	—	C												
27G/2890	ACO.25008	CABLE ASSEMBLY, COMPLETE	1	—													
27G/2876	ACO.23503	Clip, locking, piston stop	2	—													
27G/2456	ACO.8694	Connection, exhaust	1	—	C												
27VA/2968	ACO.5091	Cradle	4	—	C												
27G/2865	ACO.25494	Cup, damper	4	—	C												
27G/2372	ACO.8629	Filter, "Porosint"	4	—	C												
27G/2371	ACO.8627	Filter, "Porosint" inlet valve	4	—													
	ACO.26050	Guide, piston	4	—													
	ACO.24567	Housing, spring, parker lever	1	—													
27G/2881	ACO.23514	Knife-Edge, central	1	—	C												
27G/2874	ACO.23513	Knife-Edge, inner	2	—	C												
27G/2872	ACO.23515	Knife-Edge, outer L.H.	1	—	C												
27G/2877	ACO.23484	Knife-Edge, outer R.H.	1	—	C												
27G/2851	ACO.23518	Lever, emergency (Pre-Dunlop Mod. 3751)	2	—	C												
27G/3227	ACO.30657	Lever, emergency (Dunlop Mod. 3751)	2	—	C												
27G/2886	ACO.23576	LEVER, PARKING, GROUP	1	—	C												
		(Pre-Dunlop Mod. 3751)															
27G/3224	ACO.29275	LEVER, PARKING, GROUP (Dunlop Mod. 3751)	1	—	C												
27G/2873	ACO.23519	Lever, outer	2	—	C												
27G/2883	ACO.23573	LEVER, TOP, ASSEMBLY	1	—	C												
		Spares for:—															
2A/ 9501173	Hoffmann N.463	Bearing, ball	1	—	C												
	ACO.23505	Pivot, roller	1	—													
	ACO.23482	Shield, bearing	2	—													

SEA VIXEN

ISSUED WITH AMENDMENT LIST No. 9

RESTRICTED

Page 57

SEA VIXEN

ISSUED WITH AMENDMENT LIST No. 9

Ref. No.	Part No.	Description 1 2 3 4 5	No. Off	Matl. Spec.	Cl. of St.	Mark Applicability and No. Off Per Aircraft												
						M.R.	FAW 1	FAW 2										
	AC.14524	VALVE, BRAKE CONTROL (HYDRAULIC) Mk. 3 ASSEMBLY																
		(Continued)																
27G/3226	ACO.29278	Link (Dunlop Mod. 3751)	1	—	C													
	ACO.23844	Locator , parking lever spring	1	—	C													
28M/12929	A.27/CP	Nut , 2 BA, at studs securing exhaust connection and blanking plate	2	—	C													
27G/2856	ACO.23490	Nut , lock, top lever adjusting screw	2	—	C													
27G/2897	ACO.25496	Pad , thrust piston guide	4	—	C													
	ACO.37993	Piece , distance (Dunlop Amdt. 31608)	1	L.M.	C													
27G/2875	ACO.23520	Pin , pivot, parking lever	1	—	C													
27G/2887	ACO.6213	Pin , pivot, securing hinge plug	1	—	C													
27G/2882	ACO.23504	Pin , pivot, top lever	1	—	C													
27G/2941	ACO.9901/M	Pin , plunger, lever pivot	4	—	C													
27G/2460	ACO.9901	Pin , plunger, selective assy. (supplied in packets of twelve)	4	—	C													
28P/12410	SP.9/B8	Pin , split, $\frac{3}{64}$ " dia. \times 1" long, at adjusting screw ...	4	—	C													
28P/12645	SP.9/B.4	Pin , split, $\frac{3}{64}$ " dia. \times $\frac{1}{2}$ " long	4	—	C													
27G/2866	ACO.26080	Piston	4	—	C													
27G/2854	ACO.26060	Pivot , lever	4	—	C													
27G/2862	ACO.23522	Plate , locking, emergency lever adjusting screw ...	4	—	C													
27G/2895	ACO.24083	Plate , locking, nipple seat stop	1	—	C													
27G/2888	ACO.23497	Plug , hinge... ..	1	—	C													
27G/2863	ACO.25495	Plunger	4	—	C													
27G/2249	ACO.6985	RETAINER, BALL GROUP	4	—	C													
	ACO.24082	Retainer , cable return, spring	1	—	C													
27G/2619	ACO.21760	Retainer , seal plunger	4	—	C													
27G/2185	ACO.4701	Ring , sealing base and top cover	8	—	C													

RESTRICTED

Ref. No.	Part No.	Description	No. Off	Matl. Spec.	Cl. of St. M.R.	Mark Applicability and No. Off Per Aircraft														
						1	2	3	4	5	FAW 1									
	AC.14524	VALVE, BRAKE CONTROL (HYDRAULIC) MK.3, ASSEMBLY (Continued)																		
27G/2186	ACO.4710	Ring, sealing, blanking plate and exhaust connection...	2	Dowty H.526 or AM.23	C															
27G/2184	ACO.4703	Ring, sealing, cradle spring adjusting screw	4	Dowty H.526 or AM.23	C															
27G/2235	ACO.4702	Ring, sealing exhaust valve	4	Dowty H.526 or AM.23	C															
27G/2190	ACO.4709	Ring, sealing, inlet valve seat	4	Dowty H.526 or AM.23	C															
27G/2189	ACO.4699	Ring, sealing, large, filter housing	4	Dowty H.526 or AM.23	C															
27QA/575	Dowty GD.1687	Ring, sealing, "O" type plunger	4	Dowty A.640	C															
27G/2187	ACO.4700	Ring, sealing, small, filter housing	4	Dowty H.526 or AM.23	C															
27VA/2979	ACO.4673	Screw, adjusting, cradle spring	4	S.62	C															
27G/2852	ACO.23486	Screw, adjusting, emergency lever	4	S.61 or S.62	C															
27G/2853	ACO.26081	Screw, adjusting, top lever	2	—	C															
28F/11966	AGS.1174	Screw, bleed	2	—	C															
27G/2894	ACO.24084	Screw, cheese head, securing cable return spring retainer and nipple seat stop locking plate	1	EN.57 or EN.58	C															
27G/2861	ACO.23498	Screw, cheese head, securing locking plates, emergency lever adjusting screws	4	EN.57 or EN.58	C															

Ref. No.	Part No.	Description	No. Off	Matl. Spec.	Cl. of St.	Mark Applicability and No. Off Per Aircraft											
						M.R.	FAW 1										
	AC.14524	VALVE, BRAKE CONTROL (HYDRAULIC) MK. 3, ASSEMBLY (Continued)															
27G 2878	ACO.4670 9	Screw, 2 BA, "Unbrako", securing base cover	4	—	C												
27G 2194	ACO.4670 4	Screw, 2 BA, "Unbrako", securing base cover	6	—	C												
27G 2195	ACO.4670 1	Screw, 2 BA, "Unbrako", securing filter housing	9	—	C												
27VA 2980	ACO.4670 3	Screw, 2 BA, "Unbrako", securing knife edges and top cover	10	—	C												
27G 2879	—	Screw, "Unbrako" type "C", 2 BA × 2" long u h securing bracket	1	—	C												
27VA 4261	—	Screw, "Unbrako" type "C", 4 BA × 5/8" long u h securing filter housing cover	10	—	C												
28F 12047	AGS.1186 A	Seal, bonded, at small blanking plug	2	—	C												
28F 12048	AGS.1186 B	Seal, bonded, at large blanking plug	6	—	C												
27G 2849	ACO.23492	Seal, lever bracket	2	—	C												
27G 2850	ACO.23485	Seal, piston	4	Rubber	C												
27G 2896	ACO.25478	Seal, piston guide	4	Rubber	C												
27G 2867	ACO.25011	Seat, valve exhaust	4	S.14	C												
27G 2869	ACO.23523	SEAT, VALVE, INLET, GROUP	4	—	C												
27G 2639	ACO.21797	Shim, exhaust valve seat (Selective assembly supplied in packets of 4, A.0025"/B.005"/C.010" D.020")	QR	G.C.Q. St. Steel	C												
27G 2892	ACO.23843	Shim, hinge plug	1	Brass	C												
27G 2898	ACO.25497	Spacer, piston guide	4	L.64 or L.66	C												

RESTRICTED

Ref. No.	Part No.	Description	1 2 3 4 5					No. Off	Matl. Spec.	Cl. of St.	Mark Applicability and No. Off Per Aircraft																															
													M.R.	FAW 1																												
	AC.14524	VALVE, BRAKE CONTROL (HYDRAULIC) MK. 3, ASSEMBLY (Continued)																																								
27G 2893	ACO.23846	Spring, cable return ...					1	DTD.215	C																																	
27G 2884	ACO.23506	Spring, cam return (Pre-Dunlop Amms. 28234)					1	DTD.215	C																																	
27G 2199	ACO.5554	Spring, cradle ...					4	DTD.215	C																																	
27G 2889	ACO.24600	Spring, operating parking lever ...					1	DTD.215	C																																	
27G 2621	ACO.21761	Spring, plunger seal retainer ...					4	DTD.215	C																																	
27G 2860	ACO.23499/1	Spring, pressure control, inner ...					4	DTD.215	C																																	
27G 2859	ACO.23499/2	Spring, pressure control, outer ...					4	DTD.215	C																																	
27G 2868	ACO.23571	Spring, valve exhaust ...					4	DTD.215	C																																	
27G 2374	ACO.8638	Spring, valve, non-return ...					1	DTD.215	C																																	
27G 2858	ACO.23488	Stop, piston ...					4	S.80	C																																	
27VA 2984	ACO.4677	Stud ...					5	S.62	C																																	
27G 2542	ACO.20473	Valve, exhaust ...					4	S.14	C																																	
27G 2373	ACO.8639	Valve, non-return ...					1	S.85	C																																	
28W 14319	SP.11 C	Washer, at top lever pivot pins ...					2	—	C																																	
27G 2864	ACO.23496	Washer, retaining, plunger bush ...					4	S.61 or S.62	C																																	
27G 2202	ACO.4671	Washer, retaining, sealing ring cradle spring adjusting screws					4	S.62	C																																	
28W 13889 30A 3055	SP.47 C —	Washer, spring ... Wire, locking, 22 SWG ...					4 QR	— DTD.189	C C																																	
		TRANSPORTATION AND STORAGE ITEMS																																								
28F 15579	AGS.1236 C	Cap, cone ...					1	—	C																																	
28P 12431	SP.9 C.6	Pin, split ...					1	—	C																																	
28R 6757	AGS.565 A	Plug } (Pre-Dunlop Amms. 28234)					2	—	C																																	
28R 8178	AGS.565 B		Plug } ...					6	—	C																																
28F 5604	AGS.904 C	Sleeve, outer ...					1	—	C																																	
28R 9178	AGS. 948/A	Plug } (Dunlop Amms. 28234)					2	—	C																																	
28R 9143885	AGS 948/B		Plug } ...					6	—	C																																

RESTRICTED

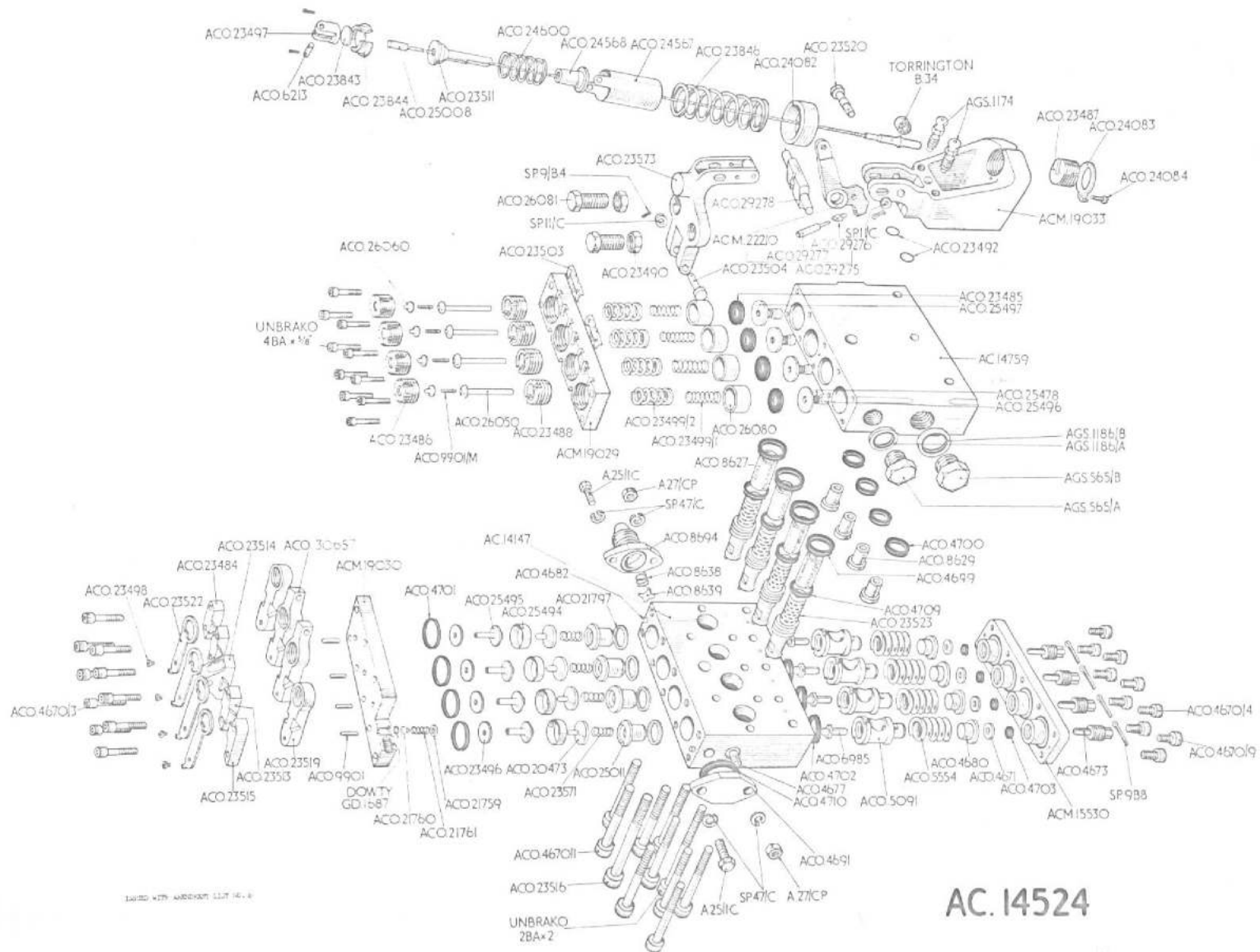
Ref. No.	Part No.	Description	No. Off	Matl. Spec.	Cl. of St.	Mark Applicability and No. Off Per Aircraft																
						1	2	3	4	5	M.R.	FAW 1										
	AC.14524	VALVE, BRAKE CONTROL (HYDRAULIC) MK. 3, ASSEMBLY (Continued)																				
27G/2893	ACO.23846	Spring, cable return	1	DTD.215	C																	
27G/2884	ACO.23506	Spring, cam return (Free Dunlop Mod. 25314)	1	DTD.215	C																	
27G/2199	ACO.5554	Spring, cradle	4	DTD.215	C																	
27G/2889	ACO.24600	Spring, operating parking lever	1	DTD.215	C																	
27G/2621	ACO.21761	Spring, plunger seal retainer	4	DTD.215	C																	
27G/2860	ACO.23499/1	Spring, pressure control, inner	4	DTD.215	C																	
27G/2859	ACO.23499/2	Spring, pressure control, outer	4	DTD.215	C																	
27G/2868	ACO.23571	Spring, valve exhaust	4	DTD.215	C																	
27G/2374	ACO.8638	Spring, valve, non-return	1	DTD.215	C																	
27G/2858	ACO.23488	Stop, piston	4	S.80	C																	
27VA/2984	ACO.4677	Stud	5	S.62	C																	
27G/2542	ACO.20473	Valve, exhaust	4	S.14	C																	
27G/2373	ACO.8639	Valve, non-return	1	S.85	C																	
28W/14319	SP.11 C	Washer, at top lever pivot pins	2	—	C																	
27G/2864	ACO.23496	Washer, retaining, plunger bush	4	S.61 or S.62	C																	
27G/2202	ACO.4671	Washer, retaining, sealing ring cradle spring adjusting screws	4	S.62	C																	
28W/13889	SP.47 C	Washer, spring	4	—	C																	
30A/3055	—	Wire, locking, 22 SWG	QR	DTD.189	C																	
TRANSPORTATION AND STORAGE ITEMS																						
28F/15579	AGS.1236/C	Cap, cone	1	—	C																	
28P/12431	SP.9/C.6	Pin, split	1	—	C																	
28R/6757	AGS.565 A	Plug } (Free Dunlop Amco. 25314)	2	—	C																	
28R/8178	AGS.565/B																					
28F/5604	AGS.904 C	Sleeve, outer	1	—	C																	
28R/9175	AGS.948/A	Plugs (Dunlop Amco. 25314)	2	—	C																	
28R/9143885	AGS.948/B	Plugs (Dunlop Amco. 25314)	6	—	C																	

SEA VIXEN

ISSUED WITH AMENDMENT LIST No. 4

RESTRICTED

Ref. No.	Part No.	Description					No. Off	Matl. Spec.	Cl. of St. M.R.	FAW 1	Mark Applicability and No. Off Per Aircraft																													
		1	2	3	4	5																																		
	AC.14524						VALVE, BRAKE CONTROL (HYDRAULIC) MK. 3, ASSEMBLY (Continued)																																	
							ACCESSORIES FOR :— (To be demanded separately)																																	
27VA/5564	ACO.24021						Bolt, banjo		SP.94, SP.95 or SP.96	C	1																													
27G/2351	ACO.3245						Connection, $\frac{1}{8}$" x $\frac{1}{8}$" BSP		S.61 or S.62	C	1																													



140120 X779 - 140120 X779 11/17/14 - 8

AC. 14524

RESTRICTED

Ref. No.	Part No.	Description	No. Off	Matl. Spec.	Cl. of St.	Mark Applicability and No. Off Per Aircraft														
						M.R.	FAW 1													
27WW/	AC.14960	VALVE, CONTROL AND PARKING, ASSEMBLY	—	—	P	1														
		Spares for :—																		
2A/9500566	—	Ball, $\frac{5}{32}$ " dia.	1	—	C															
28D/12512	A.25/1.C	Bolt, 2 BA, cover plate	2	—	C															
28D/12531	A.25/3.C	Bolt, 2 BA, mounting plate	2	—	C															
—	ACO.27296	Bolt, 2 BA, cable drum	4	—	C															
27WW/608	ACO.23274	Cam	1	S.14B	C															
27WW/434	ACO.20112	CONNECTION, $\frac{1}{8}$" BSP, GROUP	2	—	C															
27WW/537	ACO.23269	Connection, end connector plate	1	S.61B or S.62B	C															
27WW/538	ACO.23267	Filter, "Porosint"	1	—	C															
—	ACO.27288	Nut, lock, tappet adjustment	1	—	C															
27WW/436	ACO.9844	Nut, retaining valve	1	S.80B	C															
28M 10281	AGS.2001 C3	Nut, stiff, 2 BA	2	—	C															
28M 12929	A.27/CP	Nut, 2 BA, spigot	1	—	C															
27WW/437	ACO.20055	Pin, locating, cam	1	S.80B	C															
28P/6508	SP.29/G.4	Pin, retaining, cam	1	—	C															
—	ACO.27290	Piece, distance	1	S.80B	C															
28P/12431	SP.9/C.6	Pin, split, fulcrum shaft	1	—	C															
—	ACM.20685	Plate, connector end	1	S.62B or S.80B	C															
—	ACO.27261	Plate, mounting, unit	1	S.61B, S.62B or S.80B	C															
27WW/611	ACO.23273	Plate, mounting, cam	1	S.94B, S.95B or S.96B	C															

SEA VIXEN

ISSUED WITH AMENDMENT LIST No. 2

RESTRICTED

Ref. No.	Part No.	Description	Description					No. Off	Matl. Spec.	Cl. of St. M.R.	Mark Applicability and No. Off Per Aircraft																		
			1	2	3	4	5				FAW																		
			1																										
—	AC.14960	VALVE, CONTROL AND PARKING ASSEMBLY (Continued)						—	—																				
27WW/580	ACO.23261	Push-rod, ball seat	1	S.80B	C																			
27WW/612	ACO.23266	Retainer, ball return spring	1	S.61B, S.62B or S.80B	C																			
27WW/581	ACO.23264	Ring, sealing, ball seat	1	S.2756D	C																			
27WW/539	ACO.23268	Ring, sealing, filter bore	1	S.2756D	C																			
27WW/540	ACO.23270	Ring, sealing, valve seat bore	1	S.2756D	C																			
—	ACO.26214	Rod, plunger, push-rod	1	S.111B																				
28S/7614	A.35/C.16	Screw, ch. hd., end connector plate	6	—	C																			
27WW/443	ACO.20035	Screw, extension shaft	3	S.94, S.95 or S.96	C																			
28S/7614	A.35 C.24	Screw, fulcrum bracket	2	—																				
28F/12047	AGS.1186 A	Seal, bonded, connection	3	—	C																			
27WW/582	ACO.24140	Seal, oil, plunger rod	1	Rubber E.90	C																			
27WW/444	ACO.20060	Seal, oil, push-rod	1	Gaco P.90	C																			
27WW/445	ACO.20061	Seal, oil, valve stem	1	Gaco P.90	C																			
27WW/585	ACO.23263	Seat, ball	1	S.80B	C																			
—	ACO.27249	Shaft, fulcrum	1	S.94B, S.95B or S.96B																				
—	ACO.27297	Spigot, cable drum	1	S.1B or S.92B																				
27WW/583	ACO.23265	Spring, return ball	1	DTD.215	C																			
27WW/584	ACO.23262	Spring, return, push-rod	1	DTD.215	C																			

RESTRICTED

Ref. No.	Part No.	Description	No. Off	Matl. Spec.	Cl. of St.	Mark Applicability and No. Off Per Aircraft														
						M.R.	FAW 1													
—	AC.14960	VALVE, CONTROL AND PARKING, ASSEMBLY (Continued)		—	—															
27WW 511	ACO.22009	Spring, valve	1	DTD.215	C								
27WW 615	ACO.23272	Stem, valve	1	S.80B	C								
27WW/665	ACO.27250	Tappet	1	S.94B S.95B or S.96B	C								
—	ACO.27289	Valve	1	DTD.265									
28W 9419402	SP.13 C	Washer, 2 BA	5	—	C								
27WW 455	ACO.20039	Washer, retaining nut	1	S.80B	C								
28W 9416643	SP.47 C	Washer, spring	10	—	C								
27WW 456	ACO.20059	Washer, tab, retaining nut	1	DTD.10 or BS.265	C								
27WW 457	ACO.20033	Washer, thrust	2	BS.369 or DTD.265	C								
—	—	Wire, locking, (-040" dia. $\frac{1}{2}$ " long)	1	—									
30A 3055	—	Wire, locking, 22 SWG	Igth QR	DTD.189	C								
		TRANSPORTATION AND STORAGE ITEMS																		
28F 15504	AGS.1236 A	Cap, cone	4	—	C								
28P 12587	SP.9 C.4	Pin, split	4	—	C								
28F 5721	AGS.904 A	Sleeve, outer	4	—	C								

SEA VIXEN

ISSUED WITH AMENDMENT LIST No. 2

RESTRICTED

Ref. No.	Part No.	Description	No. Off	Matl. Spec.	Cl. of St. M.R.	Mark Applicability and No. Off Per Aircraft																
						FAW 1																

RESTRICTED

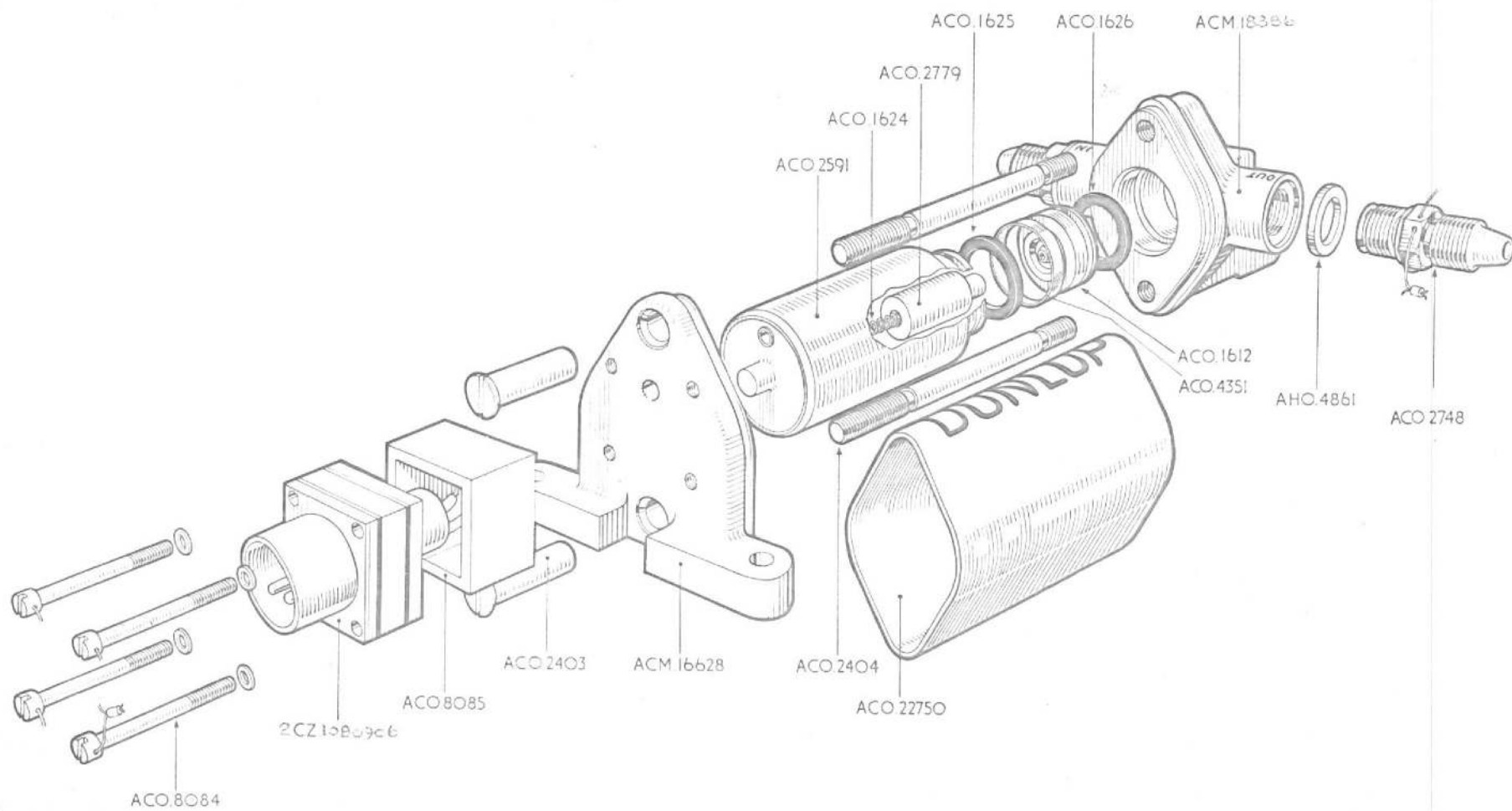
Ref. No.	Part No.	Description	No. Off	Matl. Spec.	Cl. of St.	Mark Applicability and No. Off Per Aircraft														
						M.R.		FAW		FAW		FAW		FAW						
						1	2	1	2	1	2	1	2	1	2					
27VA/5421	AC.13492	VALVE, ELECTROMATIC (SINGLE), ASSEMBLY	—	—	P	1	1													
		Spares for :—																		
27VA/4076	ACO.2748	CONNECTION, $\frac{1}{8}$" x $\frac{1}{4}$" BSP, GROUP ...	2	—	C															
27VA/2899	ACO.4351	Filter, gauze ...	1	—	C															
27VA/4948	ACO.2403	Nut, sleeve ...	2	S.94, S.95 or S.96	C															
5X/7108	Plessey 202.125901	Plug, "Breeze" 7 amp. 2 pin type ...	1	—	P															
27VA/2900	ACO.2779	PLUNGER, GROUP ...	1	—	C															
27VA/2901	ACO.1626	Ring, sealing, inlet valve seat ...	1	Rubber	C															
27VA/2902	ACO.1625	Ring, sealing, solenoid bobbin ...	1	Rubber	C															
27VA/5422	ACO.8084	Screw, securing, plug ...	4	S.61 or S.62	C															
27VA/2903	ACO.1612	Seat, valve ...	1	S.61 or S.62	C															
27VA/3611	ACO.2591	SOLENOID, INLET, GROUP ...	1	—	C															
27VA/2904	ACO.1624	Spring, inlet ...	1	DTD.236 or DTD.326	C															
27G/1871	AHO.4861	Washer, sealing, connection ...	2	L.17	C															
30A/3055	—	Wire, locking, 22 SWG ...	QR	DTD.189	C															

SEA VIXEN

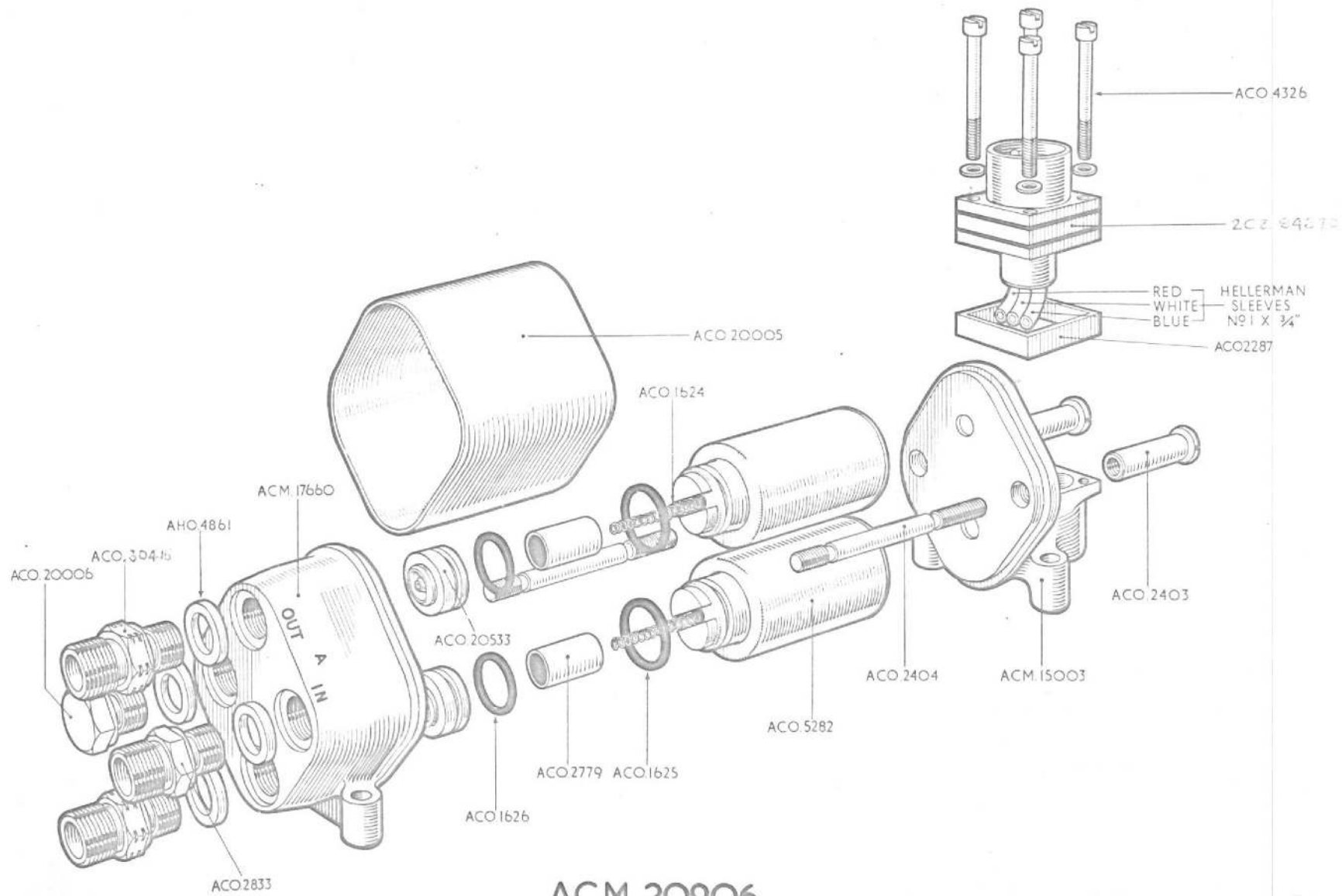
ISSUED WITH AMENDMENT LIST No. 2

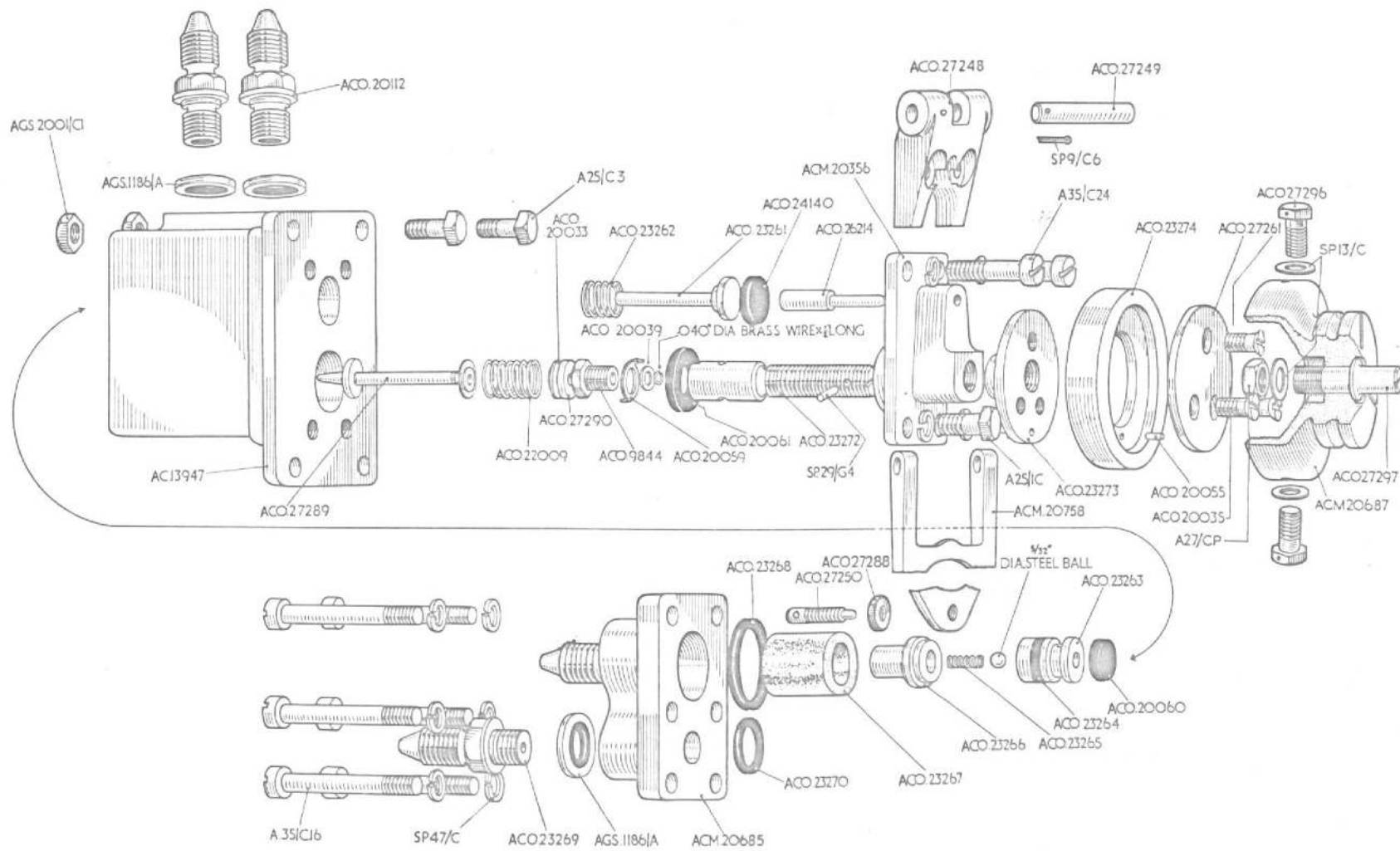
RESTRICTED

Ref. No.	Part No.	Description	No. Off	Matl. Spec.	Cl. of St. M.R.	Mark Applicability and No. Off Per Aircraft														
						FAW 1														
27VA/5954	ACM.20906	VALVE, ELECTROMATIC (TWIN), ASSEMBLY	—	—	P	2														
	ACO.27605	Spares for :— Connection, inlet, 1/8" x 1/4" BSP (Pro. Darter mod. 3859)	2	S.61 or S.62																
27VA/4947	ACO.2833	CONNECTION, 1/8" x 1/4" BSP, GROUP ...	1	—	C															
27VA/4948	ACO.2403	Nut, sleeve ...	2	S.94, S.95 or S.96	C															
5X/7030	Plessey 2 CZ 84670	Plug, "Breeze" 7 amp. 4 pin type ...	1	—	P															
27VA/2900	ACO.2779	PLUNGER, INLET, GROUP ...	2	—	C															
27VA/2901	ACO.1626	Ring, sealing, inlet valve seat ...	2	Rubber	C															
27VA/2902	ACO.1625	Ring, sealing, solenoid bobbin ...	2	Rubber	C															
27VA/3610	ACO.4326	Screw, securing plug ...	4	S.61 or S.62	C															
27VA/5423	ACO.20533	Seat, valve ...	2	S.62	C															
27VA/5424	ACO.5282	SOLENOID, INLET AND EXHAUST, GROUP	2	—	C															
27VA/2904	ACO.1624	Spring, inlet ...	2	DTD.236 or DTD.326	C															
27VA/6547	ACO.2404	Stud ...	2	—	C															
27G/1871	AHO.4861	Washer, sealing, connection ...	4	L.17 or L.34	C															
30A/3055	—	Wire, locking, 22 SWG ...	QR	DTD.189	C															
		TRANSPORTATION AND STORAGE ITEMS																		
28P/12431	SP.9/C.6	Pin, split ...	3	—	C															
28F/8212	AGS.1140/B	Plug, nipple ...	3	—	C															
28F/5722	AGS.904/B	Sleeve, outer ...	3	—	C															
	ACO.30415	CONNECTION, INLET, 1/8" x 1/4" BSP (Pro. Darter mod. 3859)	2	L.64																

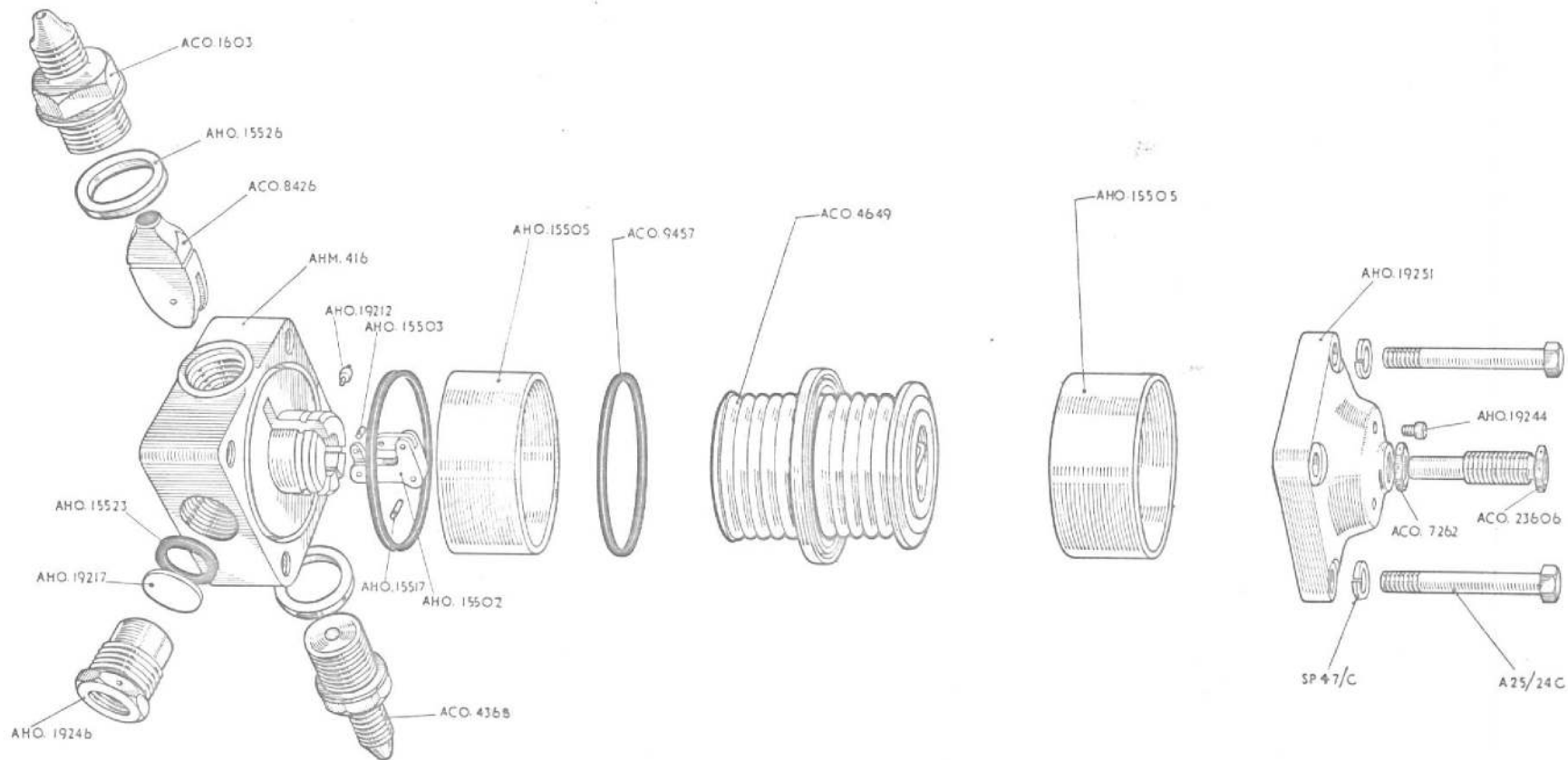


AC. 13492





AC.14960



A.C.M. 17504

M.A.

RESTRICTED

Ref. No.	Part No.	Description	No. Off	Matl. Spec.	Cl. of St. M.R.	Mark Applicability and No. Off Per Aircraft														
						1	2	3	4	5	FAW 1									
27VA/6223	AC.60330	VALVE, ELECTROMATIC, ASSEMBLY (Sea Vixen Mod. 961) (Pre-Dunlop Mod. 3164) Spares for :—	—	—	P	1														
27VA/0592	ACO.29121	Connection, 1/4" BSP x 1/8" BSP	2	S.61B or S.62B																
	ACO.27931	CORE, SOLENOID, ASSEMBLY Consisting of :—	2	—																
	ACO.27930	CORE, SOLENOID, GROUP	2	—																
27VA/0574	ACO.28012	Plunger	2	—	C															
	ACO.27929	Retainer, spring	2	S.61 or S.62																
	ACO.29122	SEAL, EXHAUST AND PUSH ROD, GROUP	2	—																
27VA/4317	ACO.1636	Spring	2	DTD.326 or DTD.236	C															
27VA/4948	ACO.2403	Nut, sleeve	2	S.94B, S.95B or S.96B	C															
5X/7108	Plessey 2CZ.108906	Plug, "Breeze", 7 amp. 2 pin type	1	—	B															
27VA/2902	ACO.1625	Ring, sealing, solenoid bobbin	2	Rubber	C															
27VA/2901	ACO.1626	Ring, sealing, valve seat	2	Rubber	C															
27VA/3610	ACO.4326	Screw, securing plug	4	S.61B or S.62B	C															
27VA/0372	ACO.27927	Seat, valve	2	S.61B or S.62B	C															
27VA/0294	ACO.5283	SOLENOID, EXHAUST, GROUP	2	—	C															
27VA/0547	ACO.2404	Stud	2	S.95B	C															
27G/1871	AHO.4861	Washer, sealing connection	2	L.17	C															
30A/3055	—	Wire, locking, 22 SWG	QR	DTD.189	C															
		TRANSPORTATION AND STORAGE ITEMS																		
28P/12431	BS.SP.9/C.6	Pin, split	2	—	C															
28F/8212	AGS.1140/B	Plug, blanking	2	—	C															
28F/5722	AGS.904/B	Sleeve	2	—	C															

SEA VIXEN

ISSUED WITH AMENDMENT LIST No. 4

RESTRICTED

Ref. No.	Part No.	Description	1 2 3 4 5					No. Off	Matl. Spec.	Cl. of St. M.R.	Mark Applicability and No. Off Per Aircraft		FAW 1	FAW 2
			FAW 1		FAW 2									
27VA 5973	AC.60322	VALVE, ELECTROMATIC, ASSEMBLY ... (Sea Vixen Mod. 541) Spares for :-					—	—	P	1	1			
27VA 2898	ACO.2487	CONNECTION, 1/8" x 1/8" BSP, GROUP ...					1	—	C					
27VA 4657	ACO.2747	CONNECTION, INLET, GROUP ...					1	—	C					
27VA 4948	ACO.2403	Nut, sleeve ...					2	S.94B, S.95B or S.96B	C					
5X 6001	Plessey CZ.28090	Plug, "Breeze", 7 amp. 2 pin ...					1	—	C					
27VA 5972	ACO.27601	PLUNGER, INLET, GROUP ...					1	—	C					
27VA 2902	ACO.1625	Ring, sealing ...					1	Rubber	C					
27VA 2901	ACO.1626	Ring, sealing ...					1	Rubber	C					
27VA 5424	ACO.5282	SOLENOID, INLET, GROUP ...					1	—	C					
27VA 2904	ACO.2404	Stud ...					2	S.95B	C					
27VA 2904	ACO.1624	Spring, inlet ...					1	DTD.326or DTD.236	C					
27VA 5971	ACO.2964	Seat, valve ...					1	S.61B or S.62B	C					
5X 3148	Z.49428 Plessey	Sleeve ...					2	—	C					
27G 1871	AHO.4861	Washer, alum ...					2	L.17	C					
30A 3055	—	Wire, locking, 22 SWG ...					QR	DTD.189	C					

RESTRICTED

Ref. No.	Part No.	Description	No. Off	Matl. Spec.	Cl. of St.	Mark Applicability and No. Off Per Aircraft																	
						FAW		3	4	5	6	7	8	9	10	11	12						
						1	2																
						M.R.	1	2															
27VA/6430	AC.60384	VALVE, ELECTROMATIC, ASSEMBLY (Dunlop Mod. 3964) Spares for :—	—	—	P	1	1	3															
27VA/6395	ACO.29121	Connection, 1/4" BSP x 1/8" BSP	2	S.61B or S.62B	C																		
	ACO.31057	CORE, SOLENOID, ASSEMBLY Consisting of :—	2	—																			
27VA/6394	ACO.27930	CORE, SOLENOID, GROUP	2	—																			
	ACO.28012	Plunger	2	—	C																		
	ACO.27929	Retainer, spring	2	S.61 or S.62																			
27VA/6434	ACO.31056	SEAL, VALVE, GROUP	1	—	C																		
27VA/4317	ACO.1636	Spring	2	DTD.326 or DTD.236	C																		
27VA/4948	ACO.2403	Nut, sleeve	2	S.94B or S.95B or S.96B	C																		
5X/7108	Plessey 2CZ.108906	Plug, "Breeze", 7 amp. 2 pin type	1	—	C																		
27VA/6432	ACO.25388	Ring, sealing, solenoid bobbin	2	—	C																		
27VA/6431	ACO.22489	Ring, sealing, valve seat	2	—	C																		
27VA/3610	ACO.4326	Screw, securing plug	4	S.61B or S.62B	C																		
27VA/6392	ACO.27927	Seat, valve	2	S.61B or S.62B	C																		
27VA/6294	ACO.5283	SOLENOID, EXHAUST, GROUP	2	—	C																		
27VA/6547	ACO.2404	Stud	2	S.95B	C																		
27G/1871	AHO.4861	Washer, sealing connection	2	L.17	C																		
30A/3055	—	Wire, locking, 22 SWG	QR	DTD.189	C																		
TRANSPORTATION & STORAGE ITEMS																							
28P/12431	BS.SP.9/C.6	Pin, split	2	—	C																		
28F/8212	AGS.1140/B	Plug, blanking	2	—	C																		
28F/5722	AGS.904/B	Sleeve	2	—	C																		

SEA VIXEN

ISSUED WITH AMENDMENT LIST No. 7

RESTRICTED

SEA VIXEN

ISSUED WITH AMENDMENT LIST No. 7

Ref. No.	Part No.	Description	No. Off	Matl. Spec.	Cl. of St.	Mark Applicability and No. Off Per Aircraft																	
						M.R.	FAW 1																

RESTRICTED

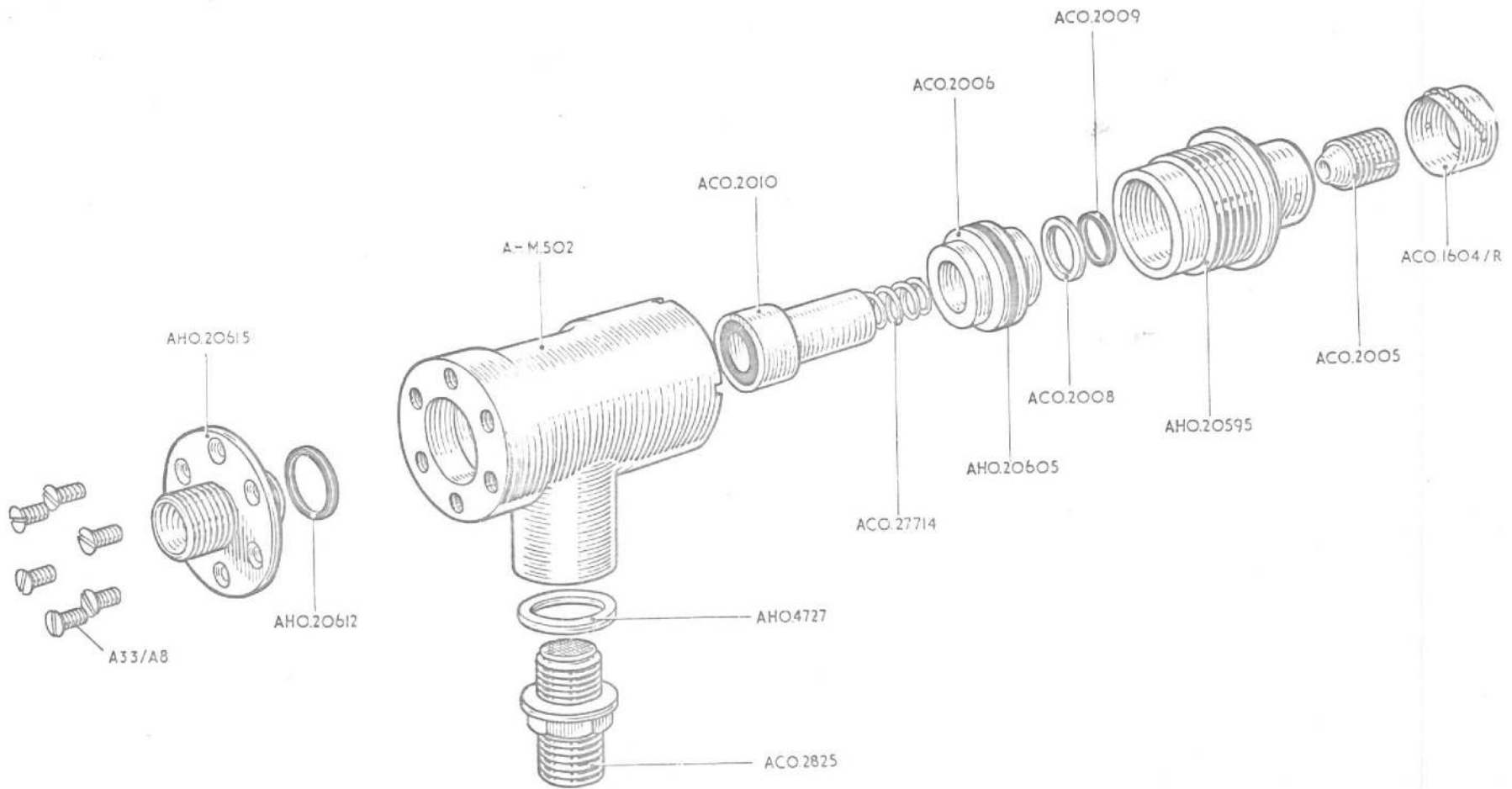
Ref. No.	Part No.	Description	No. Off	Matl. Spec.	Cl. of St.	Mark Applicability and No. Off Per Aircraft														
						M.R.	FAW 1	FAW 2												
27VA/5984	ACO.27020	VALVE, PRESSURE MAINTAINING, ASSEMBLY	—	—	P	1	1													
		Spares for :—																		
27VA/2954	ACO.2825	CONNECTION, GROUP	1	—	C															
—	ACO.1604/R	Cover	1	Soft Alum.	C															
—	ACO.2010	PISTON, GROUP	1	—																
27VA 3262	ACO.2008	Ring, lubricating	1	Felt	C															
27VA 3264	AHO.20605	Ring, sealing, piston guide body	1	Rubber	C															
27VA 3263	ACO.2009	Ring, sealing, piston guide piston	1	Rubber	C															
27VA 3265	AHO.20612	Ring, sealing, valve seat	1	Rubber	C															
—	ACO.2005	Screw, adjusting	1	S.61B, S.62B or S.80B	C															
28S 3421	A.33 A.8	Screw, 6 BA, retaining valve seat	6	—	C															
—	AHO.20615	SEAT, VALVE, GROUP	1	—	C															
27VA 5984	ACO.27714	Spring	1	DTD.215	C															
27G 1970	AHO.4727	Washer, sealing, connection	1	L.34 or L.17	C															
30A/3055	—	Wire, locking, 22 SWG	QR	DTD.189	C															
		TRANSPORTATION AND STORAGE ITEMS																		
28P 12431	SP.9 C.6	Pin, split	2	—	C															
28F 8212	AGS.1140 B	Plug, nipple	2	—	C															
28F 5722	AGS.904 B	Sleeve, outer	2	—	C															

SEA VIXEN

ISSUED WITH AMENDMENT LIST No. 2

RESTRICTED

Ref. No.	Part No.	Description	No. Off	Matl. Spec.	Cl. of St. M.R.	Mark Applicability and No. Off Per Aircraft																
						FAW 1	FAW 2															
27G/2764	ACM.17504	VALVE, PRESSURE REDUCING, ASSEMBLY ...	—	—	P	1	1															
		Spares for :—																				
27G/2023	AHO.15502	BELLCRANK AND LINKS, GROUP ...	1	—	C																	
27G/2765	ACO.4649	BELLOWS, EVACUATED, GROUP ...	1	—	P																	
27G/2088	AHO.19246	Body, blow-off valve ...	1	L.64	C																	
27G/2086	AHO.19217	Blank, blow-off valve ...	1	S.61 or S.62	C																	
28D/12541	A.25/24C	Bolt, 2 BA ...	4	—	C																	
27VA/3398	ACO.4368	Connection, delivery ...	1	S.61 or S.62	C																	
27G/2766	ACO.1603	Connection, inlet ...	1	S.62 or S.80	C																	
27G/2028	AHO.15517	Pin, belicrank ...	1	S.61 or S.62	C																	
27G/2030	AHO.15503	Pin, swivel ...	2	S.61 or S.62	C																	
27G/2038	AHO.15523	Ring, sealing, blow-off valve ...	1	Rubber	C																	
27G/2767	ACO.9457	Ring, sealing, casing tube ...	2	Rubber	C																	
27G/2768	ACO.23606	Screw, adjusting ...	1	S.61 or S.62	C																	
27G/2769	ACO.8426	Valve, inlet plunger ...	1	S.61 or S.62	C																	
27G/2039	AHO.15526	Washer, sealing connections ...	2	Soft Alum.	C																	
28VA/3416/42	SP.47/C	Washer, spring ...	4	—	C																	
30A/3055	—	Wire, locking, 22 SWG ...	QR	DTD.189	C																	



ACO.27020

RESTRICTED

Mark Applicability and No. Off Per Aircraft

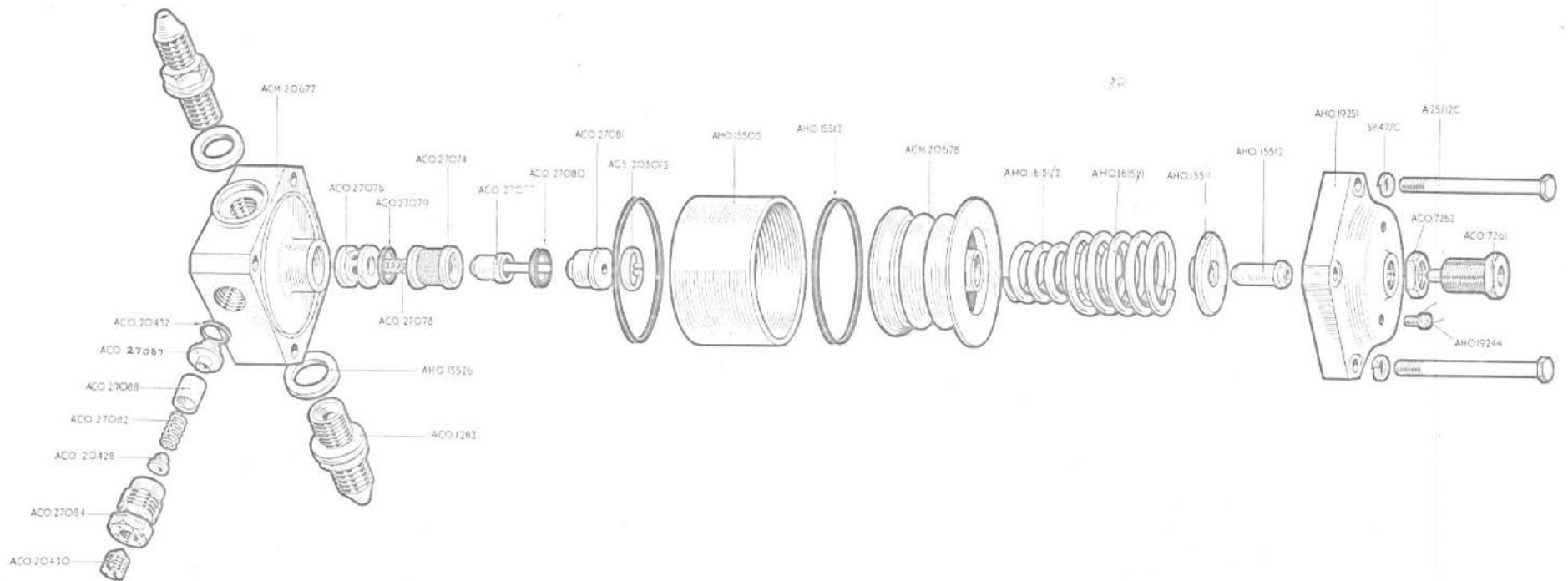
Ref. No.	Part No.	Description	No. Off	Matl. Spec.	Cl. of St. M.R.	Mark Applicability and No. Off Per Aircraft														
						FAW 1	FAW 2													
27VA/5954	ACM.20188	VALVE, PRESSURE REDUCING, ASSEMBLY ...	—	—	P C	1	1													
		Spares for :—																		
27VA/4833	ACO.20430	Adjuster, spring, blow-off valve	1	S.62B or S.80B	C															
27VA/596B	ACM.20678	BELLOWS, GROUP	1	—	C															
27VA/5961	ACO.27084	Body, blow-off valve	1	L.64C or L.65C	C															
28D/ 9419297	A.25/12C	Bolt, 2 BA	4	—	C															
28N/12489	AGS.2030.5	Circlip, seal retainer	1	—	C															
27G/2116	ACO.1283	Connection	2	L.64C or L.65C	C															
27VA/5969	ACO.27074	FILTER, GROUP	1	—	C															
	ACO.27076	Guide, valve	1	DTD.265	C															
27VA/4835	ACO.20428	Locator, blow-off valve	1	L.65C	C															
27VA/3977	ACO.7262	Nut, locking, adjuster	1	S.80B	C															
27G/2029	AHO.15512	Pin, guide, bellows	1	DTD.164	C															
27G/2604	AHO.15511	Plate, pressure	1	S.62B or S.80B	C															
27VA/5959	ACO.27088	PLUNGER, BLOW-OFF, GROUP	1	—	C															
	ACO.27081	Retainer, seal	1	DTD.265	C															
27VA/3979	ACO.7261	Screw, adjusting	1	S.61B or S.62B	C															
27VA/5963	ACO.27080	Seal, filter	1	Rubber	C															
27VA/5966	ACO.27079	Seal, valve guide	1	Rubber	C															

SEA VIXEN

ISSUED WITH AMENDMENT LIST No. 2

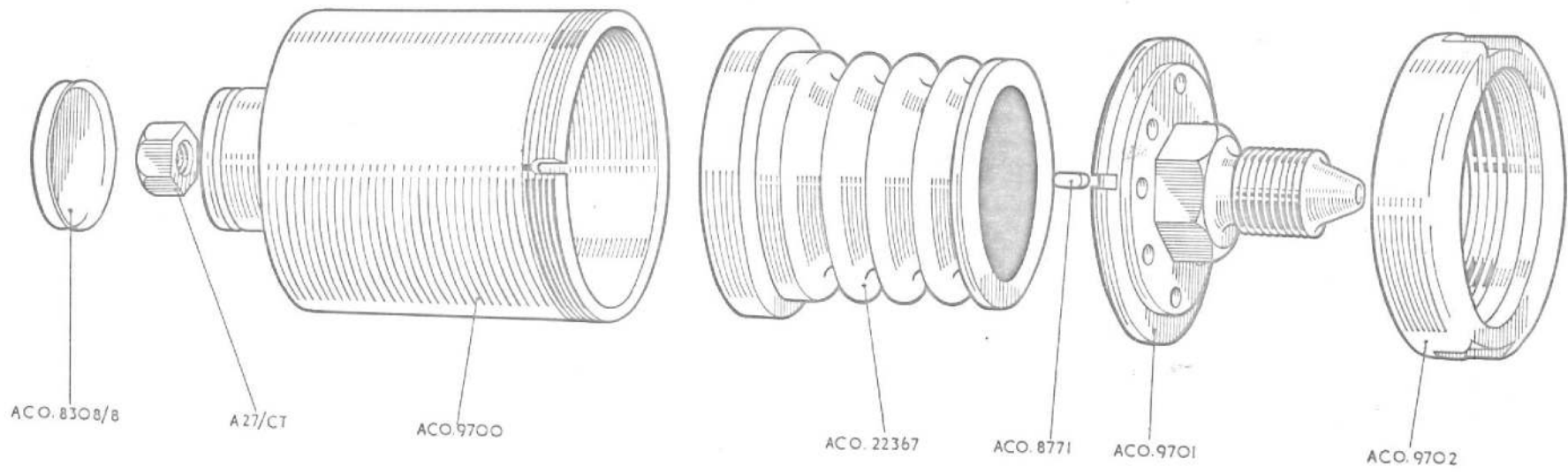
RESTRICTED

Ref. No.	Part No.	Description	No. Off	Matl. Spec.	Cl. of St.	Mark Applicability and No. Off Per Aircraft														
						FAW														
						M.R.	1													
—	ACM.20188	VALVE, PRESSURE REDUCING, ... ASSEMBLY (Continued)	—	—	—															
—	ACO.27087	Seat, blow-off valve	1	S.62B or S.80B																
3	27VA/5962	Spring, blow-off valve	1	DTD.215	C															
3	27VA/5965	Spring, valve	1	BS.2056	C															
3	27G/2033	Spring, pressure, inner and outer	1	Spr. Steel	C															
			set																	
27VA 4838	ACO.20432	Washer, sealing, blow-off valve seat	1	Rubber	C															
27G/2039	AHO.15526	Washer, sealing, connection	2	Soft Alum.	C															
27G/2040	AHO.15513	Washer, sealing, casing tube	2	Rubber	C															
28W/9416/43	SP.47/C	Washer, spring	4	—	C															
30A 3055	—	Wire, locking, 22 SWG	QR	DTD.189	C															
27G/2075	AHO 16151/1	Spring, pressure, outer	1	Spr. Steel	C															
		TRANSPORTATION AND STORAGE ITEMS																		
28F 15505	AGS.1236 B	Cap, cone	2	—	C															
28P/12431	SP.9/C6	Pin, split	2	—	C															
28F/5722	AGS.904 B	Sleeve, outer	2	—	C															



ACM.20188

ISSUED WITH ASSOCIATED LIST NO. 6



ACM. 18560

Ami

RESTRICTED

Ref. No.	Part No.	Description	No. Off	Matl. Spec.	Cl. of St.	Mark Applicability and No. Off Per Aircraft														
											FAW 1	FAW 2								
						1	2	3	4	5			M.R.	1	2	3	4	5	6	7
27VA 5500	ACM.19502	VALVE, PRESSURE RELIEF, ASSEMBLY ...	2	—	P	2	2													
		Spares for :—																		
27VA 5430	ACO.9100	Base	1	S.61 or S.62	C															
27VA 5501	ACO.24697	Bolt, 2 BA, securing base and spring housing	4	—	C															
27VA 5619	ACO.8308 8	Cap	1	Alum.	C															
27VA 5431	ACO.9095	GUIDE, VALVE, ASSEMBLY	1	—	C															
		Spares for :—																		
27VA 5432	ACO.9089	Seat, valve	1	Rubber	C															
—	ACO.9086	Housing, lubricating ring	1	L.64	C															
28M 13124	A.27 CT	Nut, thin, 2 BA locking adjusting screw	1	—	C															
27VA 5433	ACO.9085	Ring, lubricating	1	Felt	C															
27VA 5434	ACO.9096	Ring, sealing	1	Rubber	C															
—	—	Screw, adjusting, "Unbrako", type 'SC', 2 BA x 1/4" long	1	—	C															
27VA 5435	ACO.9090	Spring, main	1	DTD.215	C															
27VA 5436	ACO.9099	Spring, valve	1	DTD.215	C															
—	ACO.9088	Support, spring	1	S.3	C															
27VA 5437	ACO.9098	Valve	1	DTD.164	C															
27VA 5438	ACO.9097	Washer	1	Dural	C															
28V 9410043	SP.47 C	Washer, spring, at adjusting screw locknut	1	—	C															
28L 12248	SP.42 C	Washer, tab	4	—	C															

SEA VIXEN

ISSUED WITH AMENDMENT LIST No. 2

RESTRICTED

RESTRICTED
SEA VIXEN

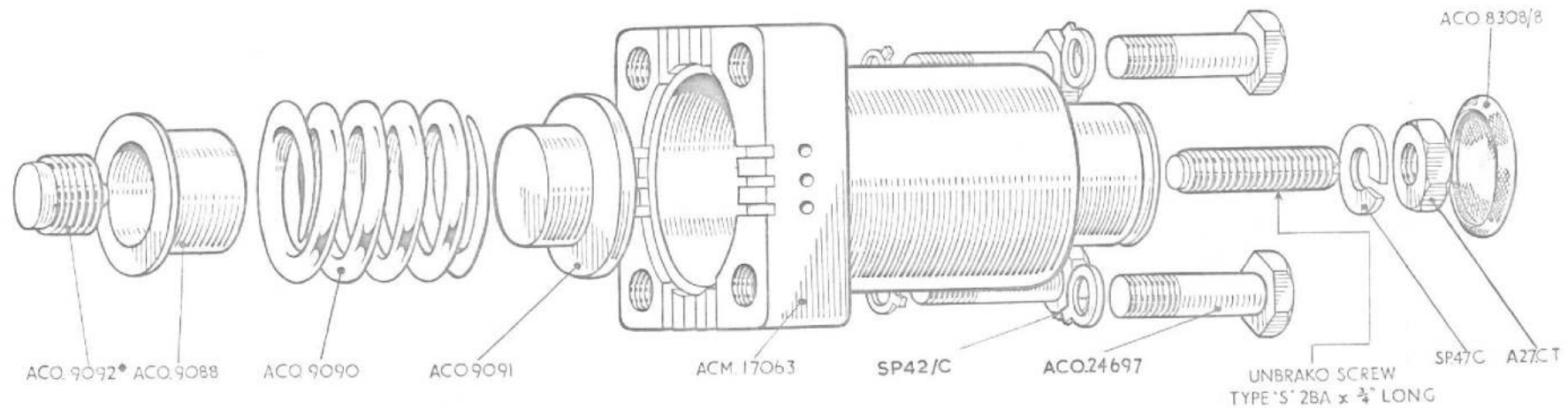
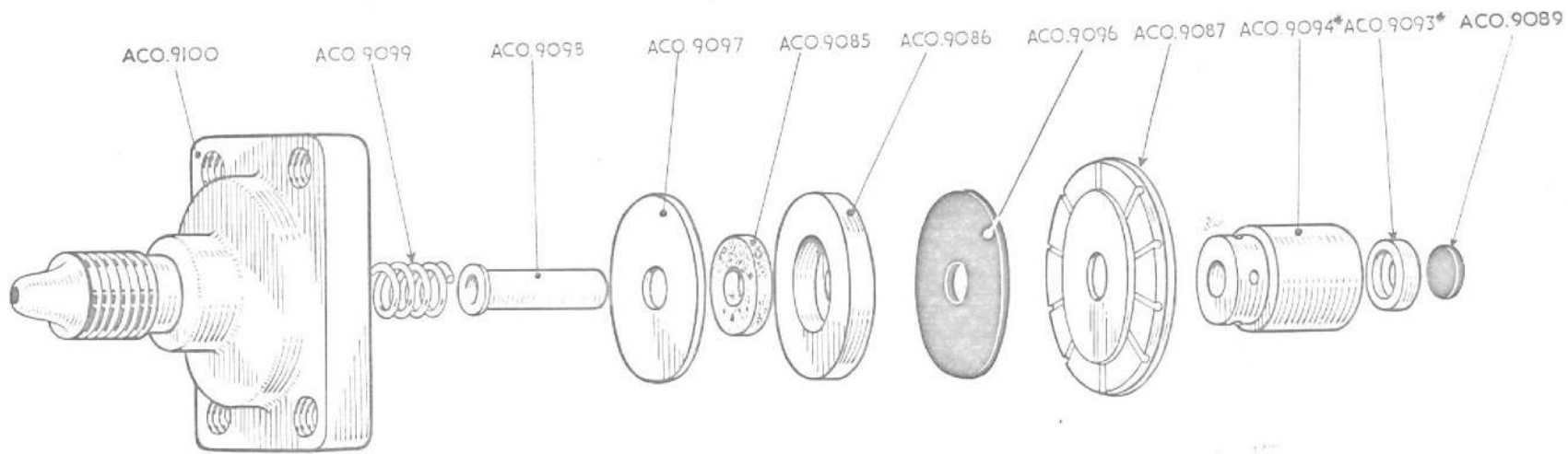
ISSUED WITH AMENDMENT LIST No. 2

Page 62
(63, 64)
78
78

Mark Applicability and No. Off Per Aircraft

Ref. No.	Part No.	Description	No. Off	Matl. Spec.	Cl. of St.	M.R.	Mark Applicability and No. Off Per Aircraft													
							FAW	1												

RESTRICTED



* SUB ASSY ACO.9095

ACM.19502

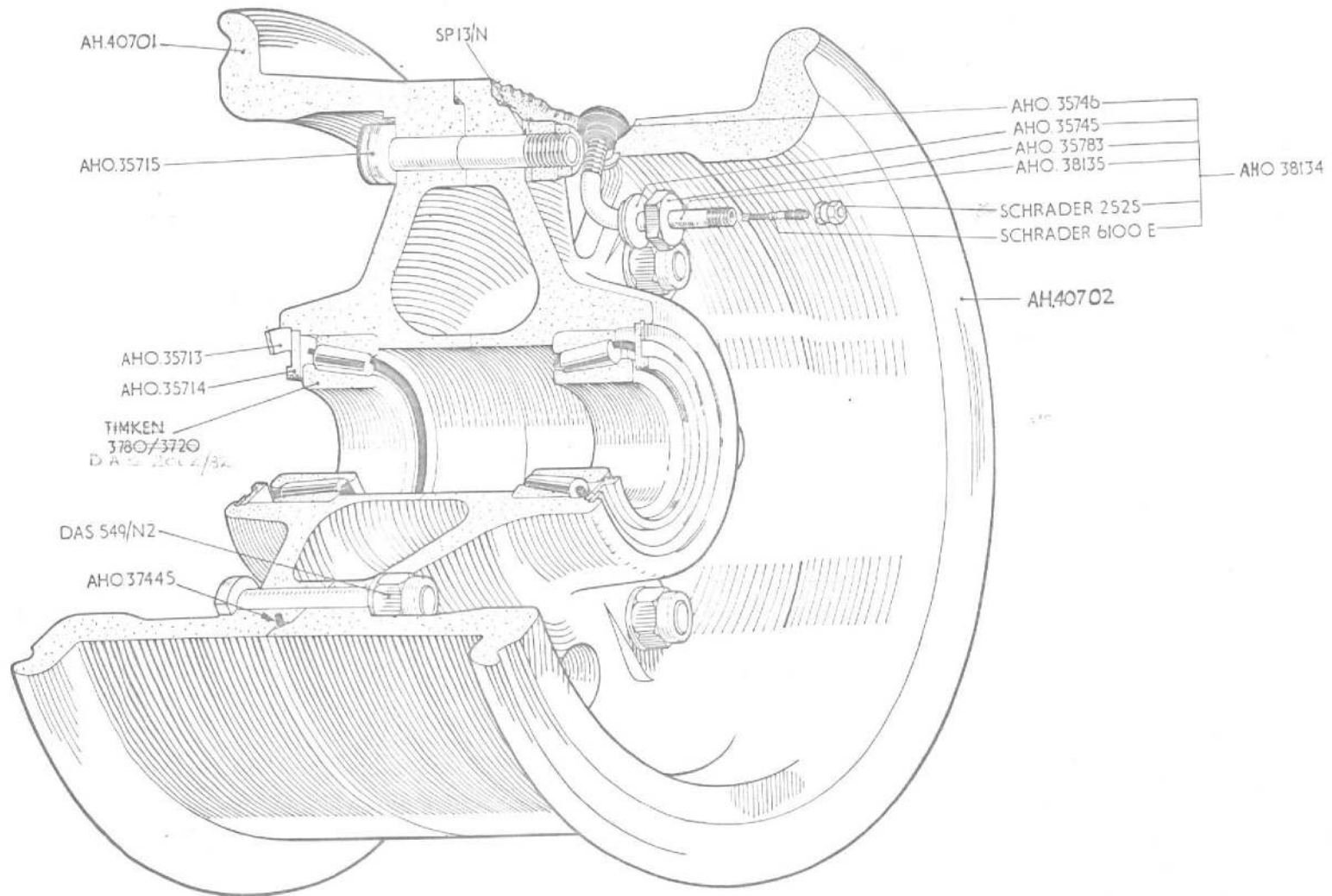
ISSUED WITH AMENDMENT LIST NO. 6

RESTRICTED

Ref. No.	Part No.	Description	No. Off	Matl. Spec.	Cl. of St.	Mark Applicability and No. Off Per Aircraft														
						M.R.	FAW	FAW												
							1	2												
27VA/5425	ACM.18560	VALVE, PRESSURE RELIEF, ASSEMBLY ...	—	—	P		1	1												
		Spares for :—																		
27VA/5426	ACO.22367	BELLOWS, EVACUATED, GROUP ...	1	—	P															
27VA/5419	ACO.8308/8	Cap, covering adjusting screw and locknut ...	1	GCQ Alum	C															
27VA/5427	ACO.9701	Connection, valve seat ...	1	S.62 or S.80	C															
28M/13124	A.27 CT	Nut, thin, 2 BA locking bellows adjusting screw ...	1	—	C															
27WW/499	ACO.8771	Pin, locating ...	1	S.80	C															
27VA/5428	ACO.9702	Ring, screwed, securing body valve seat connection ...	1	L.65	C															
30A/3055	—	Wire, locking, 22 SWG ...	QR	DTD.189	C															

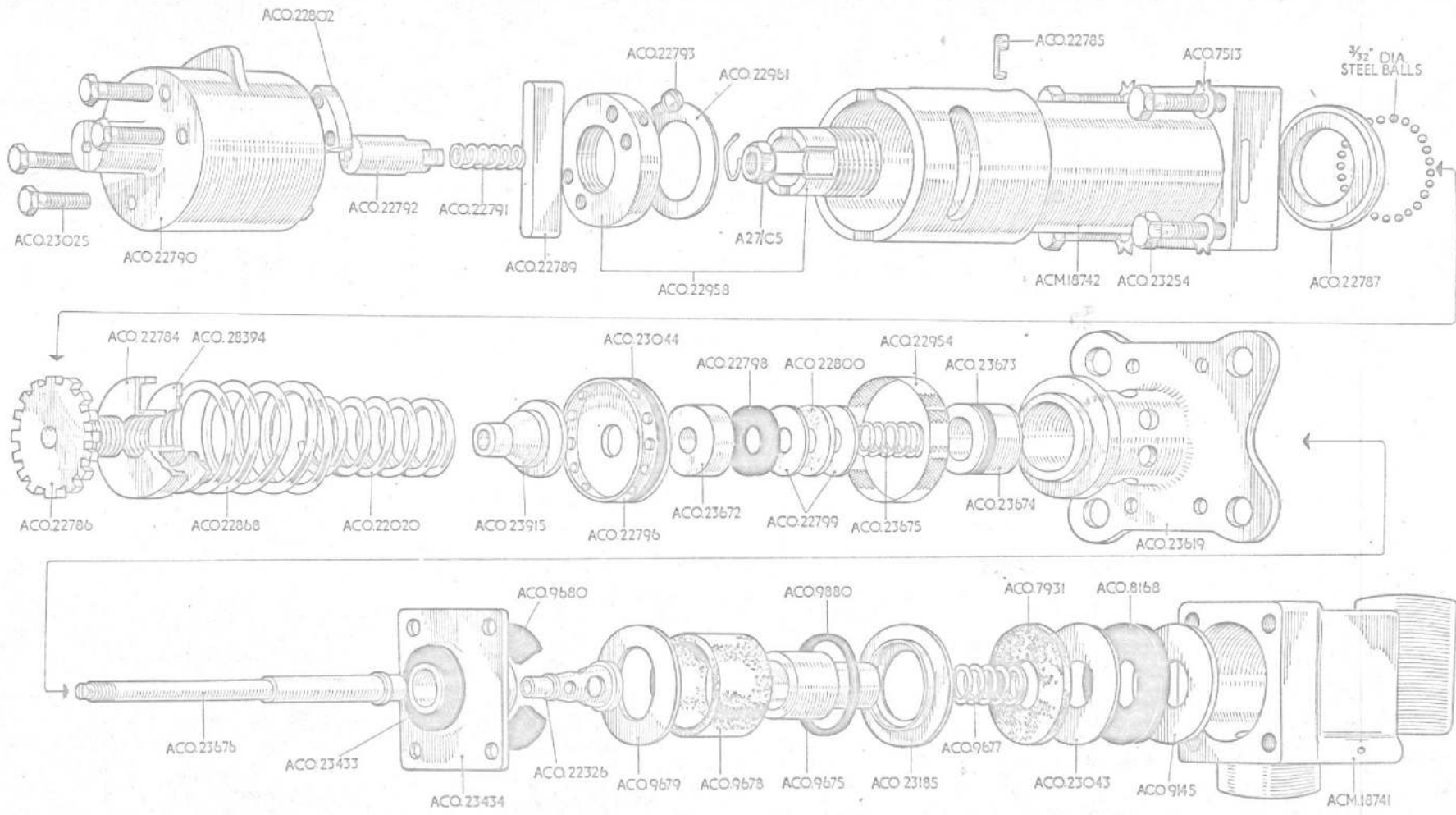
SEA VIXEN

RESTRICTED



AH 50488

Ref. No.	Part No.	Description	No. Off	Matl. Spec.	Cl. of St.	Mark Applicability and No. Off Per Aircraft													
						1	2	3	4	5	M.R.	FAW	1						
—	AC.60598	VALVE, SELECTOR/PRESSURE REDUCING, ASSEMBLY (Continued)	—	—															
27VA/5448	ACO.23673	Seal, exhaust valve guide	1	Rubber	C														
27VA/5449	ACO.23433	Seal, exhaust valve	1	Rubber	C														
27VA/5450	ACO.22798	Seal, piston	1	Rubber	C														
27VA/4728	ACO.9680	Seal, valve seat	1	Rubber	C														
27VA/5451	ACO.23674	Seat, exhaust valve	1	DTD.265	C														
27VA/5452	ACO.9675	Sleeve, valve, bottom	1	S.62	C														
27VA/5453	ACO.22792	Spigot, locking	1	S.94, S.95 or S.96	C														
27VA/5454	ACO.23675	Spring, exhaust valve	1	DTD.215	C														
27VA/5455	ACO.22020	Spring, pressure	1	DTD.215	C														
27VA/5456	ACO.22868	Spring, push rod	1	DTD.215	C														
27VA/5457	ACO.22791	Spring, spigot	1	DTD.215	C														
27VA/5458	ACO.23915	Spring, support	1	S.94, S.95 or S.96	C														
27VA/4734	ACO.9677	Spring, valve sleeve	1	—	C														
27VA/5459	ACO.22799	Washer, retaining, lubricating ring	2	L.65 or L.70	C														
27VA/4737	ACO.9145	Washer, retaining, sealing ring	1	DTD.265	C														
27VA/4025	ACO.28394	Washer, retaining, spring	1	—	C														
27VA/3924	ACO.7513	Washer, tab	4	DTD.166 or DTD.171 DTD.189	C														
30A/3055	—	Wire, locking, 22 SWG	QR	—	C														
28R/15260	AGS. 1229/B	Plug, blanking (Pre-Dunlop Amdt. 31146)	2	—	C														
	AQ. 280/B	Plug, "Redcap" (Dunlop Amdt. 31146)	2	—	C														



AC60598

20

RESTRICTED

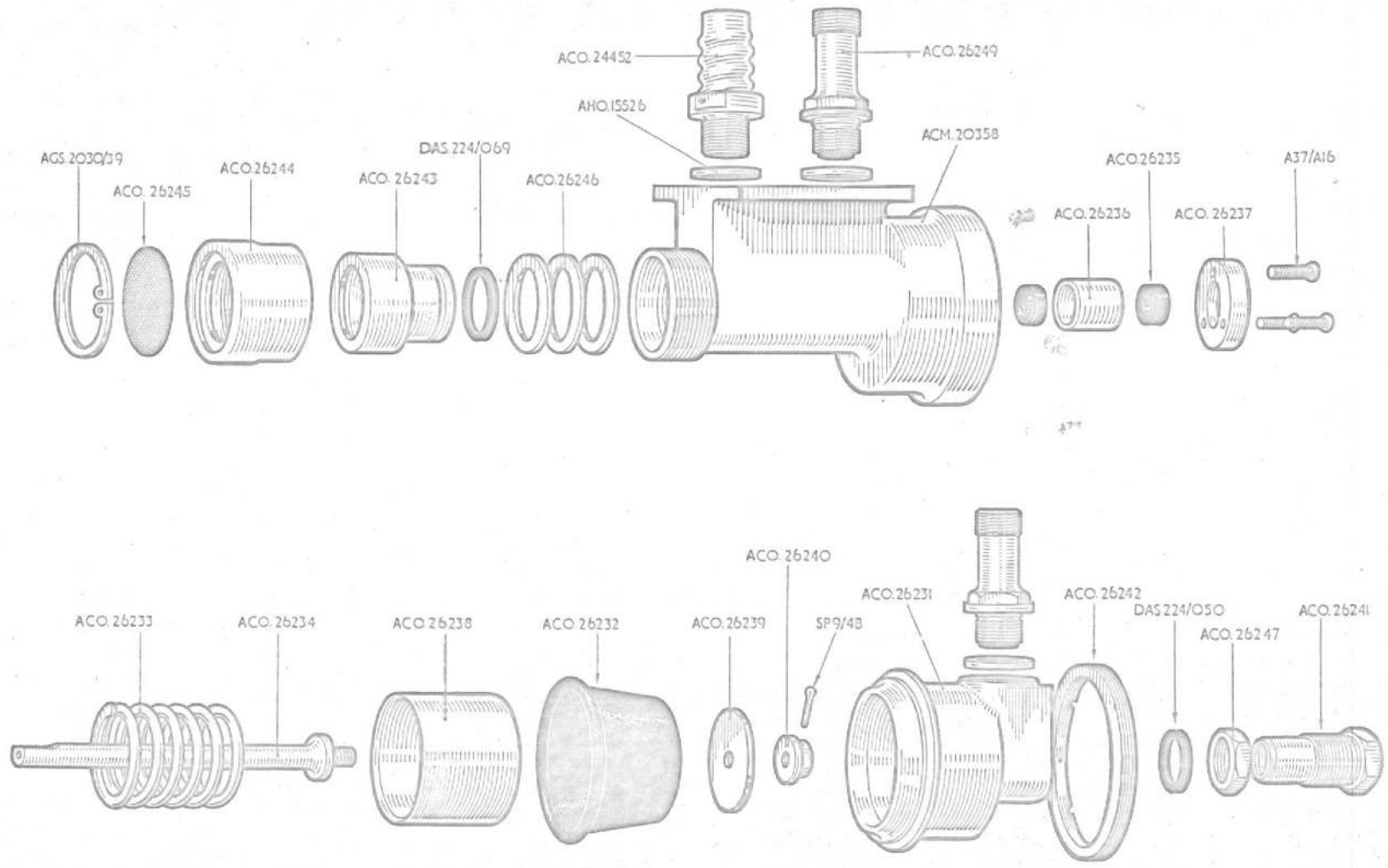
Ref. No.	Part No.	Description	No. Off	Matl. Spec.	Cl. of St. M.R.	Mark Applicability and No. Off Per Aircraft														
						FAW 1														
27VA/5825	AC.14852	VALVE, VARIABLE RESTRICTOR, ASSEMBLY (Dunlop Mod. 3216)	—	—	P	1														
27VA/5831	ACO.26236	Spares for :— Bush, guide, metering rod	1	DTD.164 or DTD.197	C															
—	ACO.26237	Cap, retaining, cup seals	1	L.64C or L.65C	C															
27VA/5827	ACO.26244	Cap, retaining, restrictor nozzle	1	L.64C or L.65C	C															
28N/12557	AGS.2030/39	Circlip, filter, disc	1	—	C															
27VA/5775	ACO.24452	Connection, hose	1	L.64C or L.65C	C															
27VA/5834	ACO.26249	CONNECTION, GROUP	2	—	C															
—	ACO.26231	Cover, end	1	L.64C or L.65C	C															
—	ACO.26232	Diaphragm, beaded	1	S.3230/B	C															
27VA/5826	ACO.26245	Disc, filter	1	Nickel Clad Copper	C															
27VA/5837	ACO.26240	Nut, cap, metering rod	1	S.61B or S.62B	C															
27VA/5835	ACO.26247	Nut, lock, adjusting screw	1	L.64C or L.65C	C															
28P/12645	SP.9/B.4	Pin, split, cap nut	1	—	C															
—	ACO.26239	Plate, backing, spring shroud	1	L.64C or L.65C	C															
27VA/5832	ACO.26242	Ring, retaining, end cover	1	L.62 or L.63	C															

SEA VIXEN

ISSUED WITH AMENDMENT LIST No. 2

RESTRICTED

Ref. No.	Part No.	Description	No. Off	Matl. Spec.	Cl. of St. M.R.	Mark Applicability and No. Off Per Aircraft																		
						1	2	3	4	5	FAW 1													
—	AC.14852	VALVE, VARIABLE, RESTRICTOR ASSEMBLY (Continued)	—	—																				
27VA/3501	DAS.224/050	Ring, sealing, end cover	1	Rubber Spec. 108	C																			
27VA/5829	DAS.224/069	Ring, sealing, restrictor nozzle	1	Rubber Spec. 108	C																			
—	ACO.26234	Rod, metering	1	S.80B																				
27VA/5836	ACO.26241	Screw, adjusting	1	L.64C or L.65C	C																			
28S/6378	A.37/A.16	Screw, 6 BA	3	—	C																			
27VA/5838	ACO.26235	Seal, cup	2	—	C																			
—	ACO.26238	Shroud, spring	1	L.64C or L.65C																				
27VA/5828	ACO.26246	Shim, restrictor nozzle	QR	Alum.	C																			
27VA/5833	ACO.26233	Spring	1	BS.2056	C																			
27G/2039	AHO.15526	Washer, sealing, connections	3	Soft Alum.	C																			
30A/3055	—	Wire, locking, 22 SWG	QR	DTD.189	C																			



AC.14852

RESTRICTED

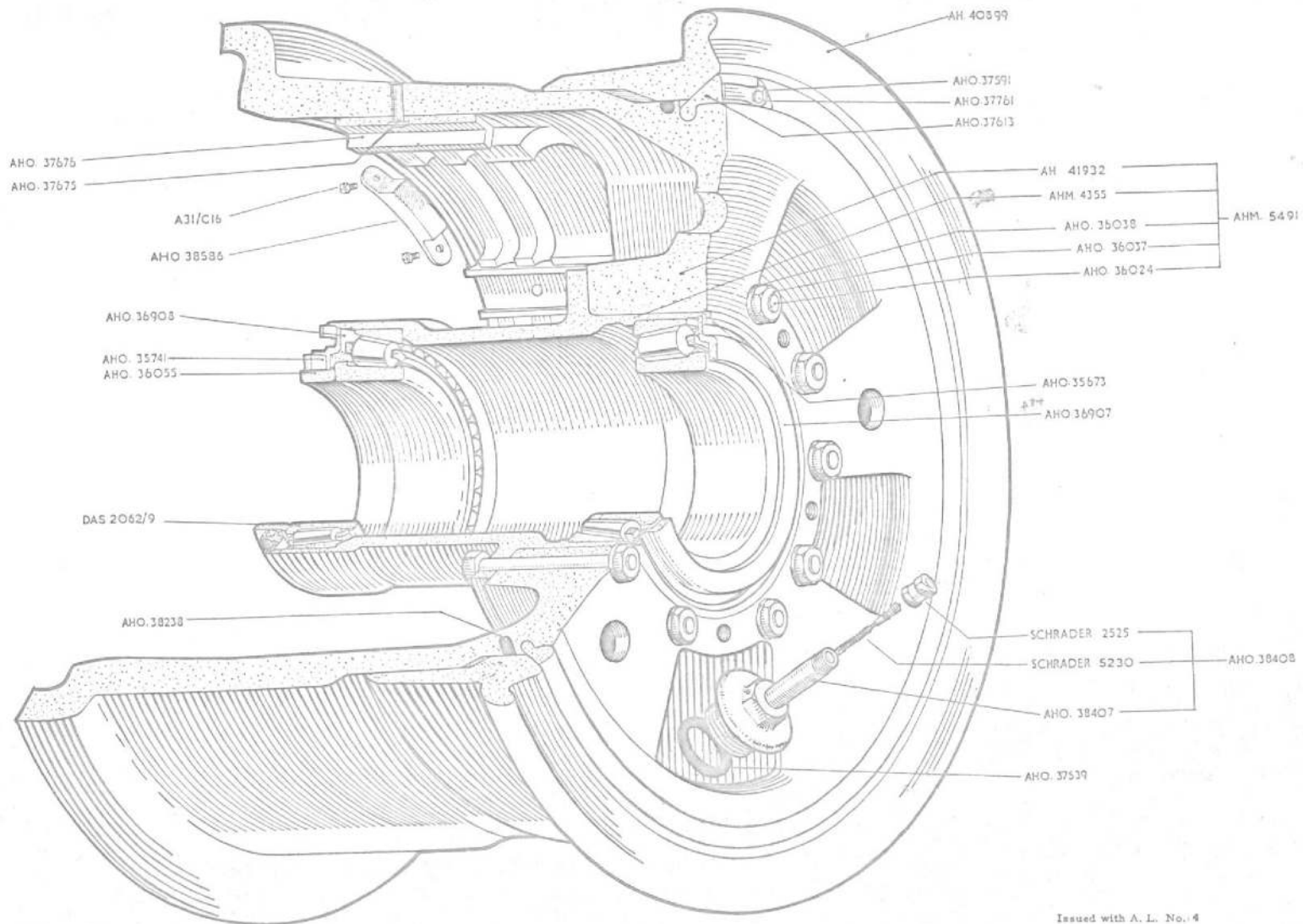
Ref. No.	Part No.	Description	No. Off	Matl. Spec.	Cl. of St.	Mark Applicability and No. Off Per Aircraft														
						M.R.	FAW 1													
27A/4305	AH.51631	WHEEL, MAIN UNDERCARRIAGE, ASSEMBLY (Pre Dunlop Mod. 3746) Spares for :—	—	—	P	2														
27A/2182	DAS.2062/9	Bearing, taper roller	2	—	C															
27A/4011	AHO.37761	Bolt, 2 BA, securing locking plate	2	H.T.S.	C															
27A/3734	AHO.35673	Circlip, internal type	2	G.C.Q. Sp. Stl.	C															
27A/3979	AHO.36907	Excluder	1	G.C.Q. Dural	C															
27A/3936	AH.40899	Flange	1	L.64	C															
27A/3978	AHO.36908	Housing, seal	1	G.C.Q. Mild Steel	C															
	AHM.5491	HUB AND BEARING HOUSING ASSEMBLY Spares for :—	1	—																
27A/4012	AHO.36024*	Bolt	10	S.98	C															
27A/4013	AHO.36037*	Nut	10	S.97	C															
27A/4014	AHO.36038*	Washer	10	G.C.Q.	C															
27A/4157	AHO.38586	Plate, fouling (Dunlop Amdt. 24043)	1	—	C															
27A/3965	AHO.37591	Plate, locking	1	S.3 or S.510	C															
27A/3738	AHO.36055	Ring, locating	1	G.C.Q. Mild Steel	C															
27A/4006	AHO.37613	RING, LOCK, GROUP	1	—	C															
27A/4215	AHO.38238	Ring, sealing, "O" type flange	1	Rubber	C															
27A/4015	AHO.37539	Ring, sealing, valve	1	Rubber	C															
28S/2766	A.31/C16	Screw, securing, fouling plate (Dunlop Amdt. 24043)	2	—	C															
27A/3736	AHO.35741	Seal, felt	1	G.C.Q. Felt	C															

SEA VIXEN

ISSUED WITH AMENDMENT LIST No 4

RESTRICTED

Ref. No.	Part No.	Description	No. Off	Matl. Spec.	Cl. of St. M.R.	Mark Applicability and No. Off Per Aircraft															
						FAW 1															
27A/4305	AH.51631	WHEEL, MAIN UNDERCARRIAGE, ASSEMBLY (Continued)																			
27A/4149	AHO.38408	VALVE, INFLATION, ASSEMBLY (For use with tubeless tyres only) Spares for :—	1	—	C																
27A/3173	Schrader 2525	Cap	1	—	C																
27A/3174	Schrader 6100E	Core	1	—	C																
27A/4490	or Schrader 5230																				
30A/3055	—	Wire, locking, 22 SWG	QR	DTD.189	C																
27A/4017	AHO.37645	ACCESSORIES FOR :— Grommet, rubber (For use with conventional tube)	2	—	C																
		Items marked thus (*) are required only in conjunction with Repair Scheme RP.168.																			



AH 51631

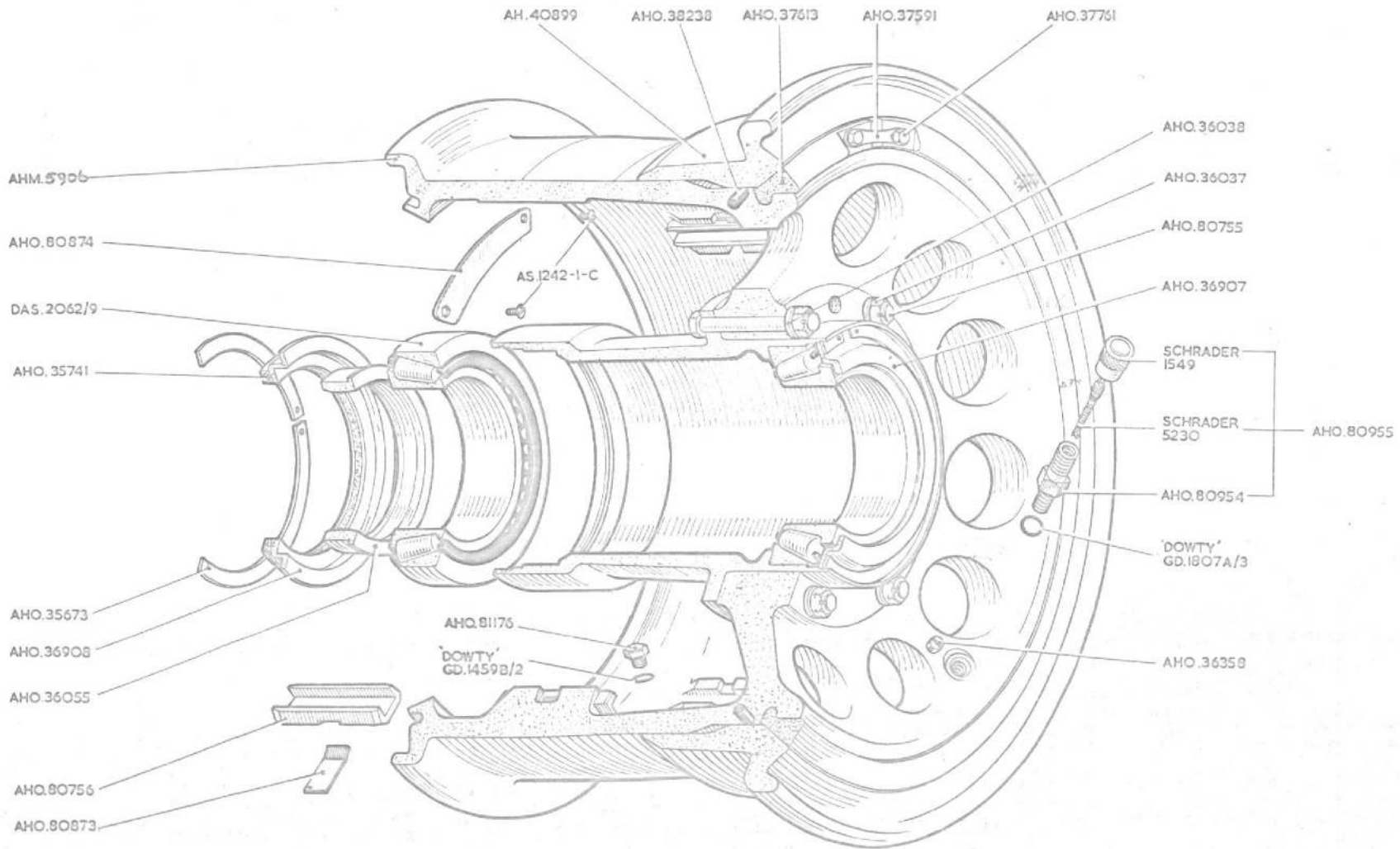
RESTRICTED

Ref. No.	Part No.	Description	No. Off	Matl. Spec.	Cl. of St.	Mark Applicability and No. Off Per Aircraft														
						M.R.	FAW													
							1	2												
27A/4519	AH.51748	WHEEL, MAIN UNDERCARRIAGE, ASSEMBLY (Dunlop Mod. 3746) (Pre-Dunlop 4265) Spares for:—	—	—	P	2														
27A/2182	DAS.2062/9	Bearing, taper roller	2	—	C															
27A/4011	AHO.37761	Bolt, 2 BA, securing locking plate	2	H.T.S.	C															
27A/3734	AHO.35673	Circlip, internal type	2	Spr. Stl.	C															
27A/3979	AHO.36907	Excluder	1	Dural	C															
27A/3936	AH.40899	Flange	1	L64	C															
27A/3978	AHO.36908	Housing, seal	1	Mild Stl.	C															
	AHM.5632	HUB AND BEARING HOUSING ASSEMBLY (Pre-Dunlop Amdt. 28155)	1	—																
	AHM.5906	HUB AND BEARING HOUSING ASSEMBLY (Dunlop Amdt. 28155) Spares for:—	1	—																
27A/4562	AHO.80755 *	Bolt	10	—	C															
27A/4013	AHO.36037 *	Nut	10	S97	C															
27A/4014 ✓	AHO.36038	Washer	10	—	C															
27A/4564	AHO.80874	Plate, fouling	1	—	C															
27A/3965	AHO.37591	Plate, locking	1	S3 or S510	C															
27A/3738	AHO.36055	Ring, locating	1	—	C															
27A/4006	AHO.37613	RING, LOCK, GROUP	1	—	C															
27A/4215	AHO.38238	Ring, sealing, 'O' type flange	1	Rubber	C															
27QA/878	Dowty GD.1459B/2	Ring, sealing, 'O' type, blanking plug	3	Rubber	C															
27QA/1069	Dowty GD.1807A/3	Ring, sealing, 'O' type valve	1	Rubber	C															
27A/4491	AHO.36358	Screw, locking	1	—	C															
28D/ 1007975	AS.1242/1C	Screw, securing fouling plate	2	—	C															
27A/3736	AHO.35741	Seal, felt	1	Felt	C															

SEA VIXEN

ISSUED WITH AMENDMENT LIST No. 8

RESTRICTED



AH.51748

RESTRICTED

Ref. No.	Part No.	Description	No. Off	Matl. Spec.	Cl. of St. M.R.	Mark Applicability and No. Off Per Aircraft														
						FAW 1	FAW 2													
27A/4018	AH.50488	WHEEL, NOSE UNDERCARRIAGE, ASSEMBLY Spares for :—	—	—	P	1	1													
27A/3436	DAS.2062/32	Bearing, taper roller	2	—	C															
27A/4019	AHO.35715	Bolt, 1/2" BSP	8	S.97	C															
27A/4020	AHO.35713	Circlip, internal type (3-812" bore)	2	Spr. Stl.	C															
27A/4021	AHO.35714	Excluder	2	G.C.Q. Dural	C															
27G/5471	DAS.549/N2	Nut, Nyloc	8	—	C															
	AHO.15061 4	Peg, locking wire (Pre Dunlop Amdt. 24261)	1	L.64	C															
27A/4022	AHO.37445	Ring, sealing, "O" type (Pre-Dunlop Amdt. 29090)	1	Rubber	C															
27A/4491	AHO.36358	Screw, locking (Dunlop Amdt. 24261)	1	—	C															
27A/4023	AHO.38134	VALVE, INFLATION, ASSEMBLY Spares for :—	1	—	C															
27A/4024	AHO.35746	Bush, rubber	1	—	C															
27A/3173	Schrader 2525	Cap	1	—	C															
27A/3174	Schrader 6100E or	Core	1	—	C															
27A/4490	Schrader 5230	Nut	1	—	C															
27A/4025	AHO.35783	Washer, sealing	1	S.1	C															
27A/4026	AHO.35745	Washer	8	—	C															
28W/9419468	SP.13/N	Wire, locking, 22 SWG	QR	DTD.189	C															
30A/3055	—	NOTE — When conventional tube is used INFLATION VALVE ASSEMBLY AHO.38134 must be removed.																		
27A/4779	DAS 2124/41	Ring, sealing, "O" type (Dunlop Amdt. 29090)	1	—	C															

SEA VIXEN

ISSUED WITH AMENDMENT LIST No. 4

RESTRICTED

RESTRICTED
SERVICING TOOLS

UNIT			TOOLS REQUIRED				
Ref. No.	Part No.	Description	Ref. No.	Part No.	Description	No. Off	
27VA/5735	AC.11846	BOTTLE, AIR ASSEMBLY (For spares details see Page 1)	27VA/5804 27VA/4604 —	AM.20923 AO.100684 —	Holder, clamp assembly Spanner, tee-piece Spanner, torque, STD. 1/2" Sq. drive	1 1 1	
—	AH.51146	BRAKE UNIT	27G/5872	AM.20678	Clamp, assembly	1	
—	AH.51147	BRAKE UNIT (For spares details see Pages 3, 4, 5, 6 and 7)	27G/5873 27G/6201 27G/6158	AO.102412 AM.20648 AM.21132	Gauge, tenon wear Plate, clamping assembly Riveting, set, for Stator Plate Assemblies AHM.4245/46	1 1 1	
			27G/6123 27G/5871 27G/5788	AO.102747 AM.20507 AM.20542	Spanner, key, for cylinder Spanner, lock ring Tool, compression	1 1 1	
27G/4186	AH.51205	BRAKE UNIT	27G/6124	AM.20782	Clamp, assembly	1	
27G/4187	AH.51206	BRAKE UNIT (For spares details see Pages 9, 10, 11, 12 and 13)	27G/6126	AO.103353	Device, load checking (used with AM.20907)	1	
27G/4206	AH.51350	BRAKE UNIT	27G/5873	AO.102412	Gauge, tenon wear	1	
27G/4207	AH.51351	BRAKE UNIT (For spares details see Pages 15, 16, 17, 18 and 19)	27G/6201 27G/6158	AM.20648 AM.21132	Plate, clamping assembly Riveting, set, for Stator Plate Assemblies AHM.4245/46	1 1	
			27G/6123 27G/5871 27G/6125	AO.102747 AM.20507 AM.20907	Spanner, key, for cylinder liner Spanner, lock ring Tool, compression	1 1 1	

UNIT			TOOLS REQUIRED			
Ref. No.	Part No.	Description	Ref. No.	Part No.	Description	No. Off
27VA/5419	ACM.18906	CYLINDER, MASTER, ASSEMBLY ... (For spares details see Page 28)	27VA/4183	AO.47993	Spanner, "C" (For use with ACO.6059 end cover)	1
			27VA/4184	AO.47994	Tool, pressing in bush	1
			—	Britool No. K.324	Wrench, "Tee Kee" midget	1
27VA/5611	AO.103060	Spanner, "C" (For body ACO.23306)...	...	1		
27VA/5310	ACM.18534	DEHYDRATOR ASSEMBLY... (For spares details see Page 29)	27VA/5610	AM.20519	Block, holding assembly	1
27VA/5212	ACM.18302	FILTER, LINE, 1/4" BSP × 1/4" BSP ASSY. (For spares details see Page 30)	—	—	No special tools required	
27J/453	AC.14362	HANDLE, CONTROL ASSEMBLY ... (For spares details see Pages 31 and 32)	—	—	No special tools required	
27G/3099	AC.61116	MAXARET UNIT (L.C.M.)	27G/3114	AO.102755	Gauge, assembly Flywheel Bearings	1
27G/3100	AC.61122	MAXARET UNIT (R.A.M.) (For spares details see Pages 33, 34, 35 and 36)	27G/3116	AM.18085	Jig, Flywheel spinning operation	1
			27G/2600	AO.55862	Tool, assembly, inner lever (Unit AC.61108 and AC.61116)	1
27G/3106	AC.61108	MAXARET UNIT (L.C.M.)	27G/2601	AO.59439	Tool, assembly, inner lever (Unit AC.61114 and AC.61127)	1
27G/3107	AC.61114	MAXARET UNIT (R.A.M.) (For spares details see Pages 39, 40, 41 and 42)	27G/2927	AM.21347	Tool, fitting and removal (detachable tyres)	1
			27G/3112	AO.102236	Tool, loading (Felt Seals ACO.5495)	1

SERVICING TOOLS

RESTRICTED
SERVICING TOOLS

UNIT			TOOLS REQUIRED			
Ref. No.	Part No.	Description	Ref. No.	Part No.	Description	No. Off
27VA/5761	AC.13390	RAM, DAMPER, ASSEMBLY (For spares details see page 47) 49	—	AO.103453	Spanner, "C" for bearing end piece	1
			—	AO.103452	Spanner, "C" for body	1
			—	AM.20937	Tool, pressing in and extracting for fork end bushes	1
27VA/5202	ACM.18570	RELAY, PRESSURE, ASSEMBLY (For spares details see page 49) 51	27VA/5258	AO.101237	No special tools required Clamp detachable (Dunlop Amdt. 27716)	1 <i>R-8</i>
27VA/5284	ACM.18798	RELAY, PRESSURE, ASSEMBLY (For spares details see page 50) 52	27VA/5258	AO.101237	No special tools required Clamp detachable (Dunlop Amdt. 27713)	1 <i>R-8</i>
27J/325	AHO.26729	SWITCH, "PRESS TO TRANSMIT" ASSY. ... (For spares details see page 54) 53	—	—	No special tools required	
5CW/6383	ACM.18686	SWITCH, "TARGET-REJECT", ASSY. ... (For spares details see page 54) 53	—	—	No special tools required	
27G/2848	AC.14524	VALVE, BRAKE CONTROL (HYDRAULIC) MK. 3 ASSEMBLY (For spares details see pages 55, 56, 57, 58, 59 and 60) 61, 62,	27G/2337 27G/2845 27G/2843	AO.45524 AO.102673 AO.102674	Extractor, inlet valve seat Spanner, "C", nipple seat stop Tool, adjusting piston stop	1 1 1
27WW/681	AC.14960	VALVE, CONTROL & PARKING ASSY. ... (For spares details see pages 61, 62 and 63) 64, 65	—	—	No special tools required	
27VA/5421	AC.13492	VALVE, ELECTROMATIC (SINGLE) ASSY. ... (For spares details see page 65) 67	—	—	No special tools required	

UNIT			TOOLS REQUIRED				
Ref. No.	Part No.	Description	Ref. No.	Part No.	Description	No. Off	
27G/2764	ACM.17504	VALVE, PRESSURE REDUCING, ASSY. ... (For spares details see page 70 74)	—	—	No special tools required		
27VA/5500	ACM.19502	VALVE, PRESSURE RELIEF, ASSEMBLY ... (For spares details see page 73 77)	27VA/5405	AO.102254	Spanner, peg, for plug ACO.9092	1	
27VA/5425	ACM.18560	VALVE, PRESSURE RELIEF, ASSEMBLY ... (For spares details see page 75 79)	27VA/5743	AO.102431	Spanner, "C"	1	
27VA/5825	AC.14852	VALVE, VARIABLE RESTRICTOR, ASSY. (For spares details see pages 79 and 80 83 .. 84)	27VA/5745 27VA/5746	AO.103911 AO.103912	Spanner, "C", for screwed cap ... Spanner, peg, for retaining ring	1 1	

RESTRICTED
SERVICING TOOLS

UNIT			TOOLS REQUIRED				
Ref. No.	Part No.	Description	Ref. No.	Part No.	Description	No. Off	
27A/4305	AH.51631	WHEEL, MAIN UNDERCARRIAGE, ASSY. (For spares details see pages 81 and 82) 85 " 86	—	"Britool" EB.710	Adaptor, torque spanner	1	
			27A/3668	AO.101004	*Collar	1	
			27A/3295	AM.10735	†Extractor, bearing	1	
			27A/3989	AM.20655	†Extractor, bearing	1	
			27A/3943	AO.101984	†Extractor, lock ring	1	
			27A/3084	AO.42798	†Mandrel and Base, assembly	1	
			27A/3988	AM.20654	*Mandrel, bearing alignment and locating ring gap gauge	1	
			27A/3305	AM.10737	†Mandrel, pressing out	2	
			27A/3322	AO.49205	*Sleeve, pressing in	1	
			—	—	Spanner, torque, std. (1/2" Sq. drive)	1	

Note: Items marked thus (*) are used in conjunction with each other for pressing in bearings.
 Items marked thus (†) are used in conjunction with each other for pressing out bearings.

UNIT			TOOLS REQUIRED			
Ref. No.	Part No.	Description	Ref. No.	Part No.	Description	No. Off
27A/4018	AH.50488	WHEEL, NOSE UNDERCARRIAGE, ASSY. (For spares details see page 85) 89	27A/3066	AO.42829	*Collar	1
			27A/4069	AO.102044	†Extractor, bearing	1
			27A/3307	AO.42699	*Mandrel and Base, assembly	1
			27A/4067	AM.20576	Mandrel, bearing alignment and locating ring gap gauge	1
			27A/3076	AO.45979	†Mandrel, pressing out	2
			27A/4068	AO.102055	*Sleeve, pressing in	2
			<p>Note: Items marked thus (*) are used in conjunction with each other for pressing in bearings Items marked thus (†) are used in conjunction with each other for pressing out bearings</p>			

ISSUED WITH AMENDMENT LIST No. 9

INDEX OF REFERENCE NUMBERS
SEA VIXEN

Ref. No.	Part No.	Page	Ref. No.	Part No.	Page
2A/9424323	Ball, 1/8" dia.	43	27A/4006	AHO.37613	85, 87
2A/9500415	Hoffmann CS.5	43	27A/4012	AHO.36024	85
	Skefko CBS.4		27A/4013	AHO.36037	85, 87
2A/9500563	Ball, 1/8" dia.	35, 41	27A/4014	AHO.36038	85, 87
2A/9500564	Ball, 3/8" dia.	33, 39, 81	27A/4015	AHO.37539	85
2A/9500566	Ball, 5/8" dia.	35, 41, 63	27A/4017	AHO.37645	86
2A/9501173	Hoffmann N.463	57	27A/4018	AH.50488	89, 96
2A/9501446	Torrington B.34	57	27A/4019	AHO.35715	89
			27A/4020	AHO.35713	89
			27A/4021	AHO.35714	89
			27A/4022	AHO.37445	89
5CW/6383	ACM.18686	53, 93	27A/4023	AHO.28134	89
5CW/6879	ACO.20549	32	27A/4024	AHO.35746	89
5CW/6896	AC.60264/8	32	27A/4025	AHO.35783	89
5CW/6897	ACM.20098/8	32	27A/4026	AHO.35745	89
5CW/6928	ACM.19680/8	32	27A/4027	DR.0396T—	27
5CW/8535	ACO.9754	32		DR.0396	
5CW/10413	ACO.33258	32	27A/4028	DR.7195T—	27
				DR.7195	
			27A/4067	AM.20576	96
			27A/4068	AO.102055	96
5X/3148	Plessey Z.49428	70	27A/4069	AO.102044	96
			27A/4149	AHO.38408	86
5X/6001	Plessey CX.28090	70	27A/4157	AHO.38586	85
			27A/4215	AHO.38238	85, 87
5X/7030	Plessey 2CZ.84870	68	27A/4305	AH.51631	85, 86, 95
			27A/4490	Schrader 5230	86, 88, 89
5X/7108	Plessey 2CZ.108906	67, 69, 71	27A/4491	AHO.36358	87, 89
			27A/4519	AH.51748	87
			27A/4562	AHO.80755	87
			27A/4564	AHO.80874	87
			27A/4566	4AM/21551	88
			27A/4568	AHO.80955	88
27A/1113	Schrader 1015	88	27A/4669	DR.0397T	27
27A/2182	DAS.2062/9	85, 87	27A/4721	AH.52157	88
27A/2257	Schrader 9710	55	27A/4779	DAS.2124/41	89
27A/3066	AO.42829	96			
27A/3076	AO.45979	96			
27A/3084	AO.42798	95			
27A/3173	Schrader 2525	55, 86, 89			
27A/3174	Schrader 6100E	55, 86, 89			
27A/3295	AM.10735	95	27G/1871	AHO.4861	28, 67, 68, 69, 70, 71
27A/3305	AM.10737	95			
27A/3307	AO.42699	96	27G/1970	AHO.4727	73
27A/3322	AO.49205	95	27G/2023	AHO.15502	74
27A/3436	DAS.2062/32	89	27G/2028	AHO.15517	74
27A/3668	AO.101004	95	27G/2029	AHO.15512	75
27A/3734	AHO.35673	85, 87	27G/2030	AHO.15503	74
27A/3736	AHO.35741	85, 87	27G/2035	AHO.16151/2	76
27A/3738	AHO.36055	85, 87	27G/2038	AHO.15523	74
27A/3739	DT.0307	55	27G/2039	AHO.15526	74, 76, 82
27A/3936	AH.40899	85, 87	27G/2040	AHO.15513	76
27A/3943	AO.101984	95	27G/2075	AHO.16151/1	76
27A/3965	AHO.37591	85, 87	27G/2086	AHO.19217	74
27A/3978	AHO.36908	85, 87	27G/2088	AHO.19246	74
27A/3979	AHO.36907	85, 87	27G/2116	ACO.1283	75
27A/3988	AM.20654	95	27G/2184	ACO.4703	59
27A/3989	AM.20655	95	27G/2185	ACO.4701	58

INDEX OF REFERENCE NUMBERS

SEA VIXEN

Ref. No.	Part No.	Page	Ref. No.	Part No.	Page
27G/2186	ACO.4710	59	27G/2761	AHM.4459	37, 43, 44
27G/2187	ACO.4700	59	27G/2762	AHM.4460	37
27G/2189	ACO.4699	59	27G/2764	ACM.17504	74, 94
27G/2190	ACO.4709	59	27G/2765	ACO.4649	74
27G/2194	ACO.4670/4	30, 60	27G/2766	ACO.1603	74
27G/2195	ACO.4670/1	60	27G/2767	ACO.9457	74
27G/2199	ACO.5554	61	27G/2768	ACO.23606	74
27G/2202	ACO.4671	61	27G/2769	ACO.8426	74
27G/2235	ACO.4702	59	27G/2775	ACO.24501	36, 41
27G/2249	ACO.6985	58	27G/2822	ACO.5453/B	35, 41
27G/2337	AO.45524	93	27G/2823	ACO.5453/C	35, 41
27G/2351	ACO.3245	62	27G/2843	AO.102674	93
27G/2371	ACO.8627	57	27G/2845	AO.102673	93
27G/2372	ACO.8629	57	27G/2848	AC.14524	57, 93
27G/2373	ACO.8639	61	27G/2849	ACO.23492	60
27G/2374	ACO.8638	61	27G/2850	ACO.23485	60
27G/2422	ACO.8820	34	27G/2851	ACO.23518	57
27G/2440	AHO.27450	36	27G/2852	ACO.23486	59
27G/2443	AHO.28173	37	27G/2853	ACO.26081	59
27G/2456	ACO.8694	57	27G/2854	ACO.26060	58
27G/2460	ACO.9901	58	27G/2856	ACO.23490	58
27G/2489	ACO.7361	35	27G/2858	ACO.23488	61
27G/2490	ACO.8819	35	27G/2859	ACO.23499/2	61
27G/2491	ACO.7360	35	27G/2860	ACO.23499/1	61
27G/2542	ACO.20473	61	27G/2861	ACO.23498	59
27G/2547	AHO.27451	36	27G/2862	ACO.23522	58
27G/2580	AHO.27452	36	27G/2863	ACO.25495	58
27G/2600	AO.55862	92	27G/2864	ACO.23496	61
27G/2601	AO.59439	92	27G/2865	ACO.25494	57
27G/2604	AHO.15511	75	27G/2866	ACO.26080	58
27G/2619	ACO.21760	58	27G/2867	ACO.25011	60
27G/2621	ACO.21761	61	27G/2868	ACO.23571	61
27G/2625	ACO.21759	57	27G/2869	ACO.23523	60
27G/2639	ACO.21797	60	27G/2872	ACO.23515	57
27G/2697	ACO.5495	35, 40	27G/2873	ACO.23519	57
27G/2698	ACO.5455	35, 41	27G/2874	ACO.23513	57
27G/2708	ACO.23206	34, 39	27G/2875	ACO.23520	58
27G/2715	ACO.7621	35	27G/2876	ACO.23503	57
27G/2716	ACO.20277	35	27G/2877	ACO.23484	57
27G/2717	ACO.20280	40	27G/2878	ACO.4670/9	60
27G/2740	ACO.20592	34, 40	27G/2879	Unbrako Screw	60
27G/2741	ACO.21721	33	27G/2880	ACO.23516	57
27G/2742	ACO.21722	34	27G/2881	ACO.23514	57
27G/2743	ACO.5453/A	35, 41	27G/2882	ACO.23504	58
27G/2744	ACO.22182	40	27G/2883	ACO.23573	57
27G/2746	ACO.20830	39	27G/2884	ACO.23506	61
27G/2755	AHM.4453	37	27G/2885	ACO.23584	57
27G/2756	AHM.4454	37	27G/2886	ACO.23576	57
27G/2757	AHM.4455	37, 43, 44	27G/2887	ACO.6213	58
27G/2758	AHM.4456	37	27G/2888	ACO.23497	58
27G/2759	AHM.4457	37	27G/2889	ACO.24600	61
27G/2760	AHM.4458	37	27G/2890	ACO.25008	57

INDEX OF REFERENCE NUMBERS
SEA VIXEN

Ref. No.	Part No.	Page	Ref. No.	Part No.	Page
27G/2892	ACO.23843	60	27G/3136	ACO.5463	33
27G/2893	ACO.23846	61	27G/3137	ACO.24275	33
27G/2894	ACO.24084	59	27G/3138	ACO.24512	33
27G/2895	ACO.24083	58	27G/3139	ACO.5489	33
27G/2896	ACO.25478	60	27G/3140	ACO.5493	33, 39
27G/2897	ACO.25496	58	27G/3141	ACO.5494	33
27G/2898	ACO.25497	60	27G/3142	ACO.22121	35
27G/2924	ACO.26042	36	27G/3143	ACO.22112	35
27G/2926	ACO.20634	36	27G/3145	ACO.7996	35
27G/2927	AM.21347	92	27G/3146	ACO.22029	36
27G/2929	ACO.26635	41	27G/3147	ACO.22030	36
27G/2941	ACO.9901/M	58	27G/3150	ACO.7359	34
27G/2971	ACO.23410	39	27G/3155	ACO.23732	36
27G/2972	ACO.23409	39	27G/3156	ACO.23736	35
27G/2977	ACO.20291	39	27G/3157	ACO.23734	36
27G/2979	ACO.5480	34, 40	27G/3158	ACO.23733	35
27G/2981	ACO.22276	40	27G/3160	2 BA Screw	34, 40
27G/2982	ACO.20979	40	27G/3161	ACO.8810	34, 40
27G/2983	ACO.20978	40	27G/3164	ACO.8803	33
27G/2984	ACO.20980	40	27G/3165	ACO.6412	33
27G/2985	ACO.20991	40	27G/3166	ACM.16514	33
27G/2986	ACO.20986	40	27G/3167	ACM.16513	33
27G/2987	ACO.22193	41	27G/3168	ACM.16591	34
27G/2988	ACO.22191	41	27G/3169	ACM.16592	34
27G/2991	ACO.5449	35, 41	27G/3173	ACM.18536	40
27G/2992	ACO.5450	41	27G/3174	ACM.18545	40
27G/2994	ACO.22184	41	27G/3175	ACM.18627	39
27G/2995	ACO.22197	41	27G/3176	ACM.18626	39
27G/2996	ACO.22179	41	27G/3179	ACO.22187	41
27G/2997	DAS.549/G1	43, 44	27G/3180	ACO.30092	41
27G/2998	AHO.70343/ 13-00	43	27G/3181	ACM.18524	39
27G/3000	AHO.70343/ 12-25	43	27G/3206	ACO.25489	39
27G/3033	ACO.5456	33, 34, 40	27G/3207	ACO.22188	41
27G/3099	AC.61116	33, 92	27G/3212	ACO.20281	39
27G/3100	AC.61122	33, 92	27G/3218	ACO.24509	39
27G/3106	AC.61108	39, 92	27G/3224	ACO.29275	57
27G/3107	AC.61114	39, 92	27G/3226	ACO.29278	57
27G/3110	ACO.29199	40	27G/3227	ACO.30657	57
27G/3111	ACO.29200	35, 40	27G/3440	ACM.18587	35
27G/3112	AO.102236	92	27G/3441	ACM.18497	41
27G/3114	AO.102755	92	27G/3443	ACO.30107	41
27G/3116	AM.18085	92	27G/3444	AHO.28533	43, 44
27G/3123	ACO.28414	34	27G/3477	2/1212A/700/ 8/10/5-0	43, 44
27G/3124	ACO.28415	33	27G/3535	AHO.72110/1	44
27G/3126	ACO.21093	34	27G/3536	AHO.72110/2	44
27G/3129	ACO.5454	34	27G/3537	AHO.72110/3	44
27G/3130	ACO.5977	34	27G/3538	AHO.72110/4	44
27G/3131	ACO.5462	34	27G/4186	AH.51205	9, 91
27G/3132	ACO.5478	34	27G/4187	AH.51206	9, 91
27G/3133	ACO.20594	34	27G/4206	AH.51350	15, 91
27G/3134	ACO.6410	34	27G/4207	AH.51351	15, 91
27G/3135	ACO.7358	34	27G/4261	AH.52181	20
			27G/4262	AH.52182	20

INDEX OF REFERENCE NUMBERS
SEA VIXEN

Ref. No.	Part No.	Page	Ref. No.	Part No.	Page
27G/5406	AHO.35285	7, 13, 19, 24	27G/6031	AHO.37905	12, 18, 23
27G/5471	DAS.549/N2	89	27G/6036	ACO.22180	43, 44
27G/5511	AHO.35836	3, 9, 15, 20	27G/6071	AHO.37929	9, 15, 20
27G/5516	AHO.25832	3, 9, 16, 21	27G/6093	ACO.24480	6, 12, 18, 23
27G/5517	AHO.36257	4	27G/6095	AHO.38445	9, 16
27G/5521	AHO.35881	4, 10, 16	27G/6096	AHO.37928	10, 16
27G/5523	AHO.35789	4, 10, 16	27G/6097	AHO.37930	9, 16, 20
27G/5536	AHO.36256	6	27G/6098	AHO.38251	17, 20
27G/5537	AHO.35837	6, 12, 18, 23	27G/6112	AHO.37152	5, 11, 17
27G/5543	AHO.36210	4	27G/6113	AHO.38604	5, 11, 17, 20
27G/5618	AHO.36332	6, 12, 18, 23	27G/6114	AH.41189	4, 10, 16, 22
27G/5640	AHM.4234	4, 10, 16	27G/6115	AH.41190	4, 10, 16, 22
27G/5788	AM.20542	91	27G/6117	AHM.4450	37
27G/5826	AHO.37866	9, 15, 20	27G/6120	AHO.37933	10, 16
27G/5829	AHO.35447	4	27G/6123	AO.102747	91
27G/5834	AHM.4375	4, 10, 16, 22	27G/6124	AM.20782	91
27G/5838	AHO.36163	6, 12, 18	27G/6125	AM.20907	91
27G/5871	AM.20507	91	27G/6126	AM.103353	91
27G/5872	AM.20678	91	27G/6151	AHO.37057	6, 12, 18, 23
27G/5873	AO.102412	91	27G/6158	AM.21132	91
27G/5916	AHO.36620	3, 9, 15, 20	27G/6201	AM.20648	91
27G/5917	AHO.37223	3, 9, 15, 20	27G/6349	AHM.5487	22
27G/5919	AHO.37129	3, 9, 15, 20	27G/6351	AHO.39626	21
27G/5920	AHO.37123	3, 9, 15, 20	27G/6352	AHO.39627	21
27G/5921	AHO.37403	3, 9, 37, 43, 44	27G/6354	AHM.5471	22
27G/5923	AHO.36137	3, 9, 15, 21	27G/6355	AHM.5488	22
27G/5924	AHO.37125	3, 9, 15, 21	27G/6358	AHO.39345	20
27G/5925	AHO.36202	3	27G/6359	AHO.80104	21
27G/5926	AHO.36201	3	27G/6360	AHO.39344	20
27G/5928	AHO.37217	4, 10, 16, 21	27G/6361	ACO.27812	43, 44
27G/5929	AHM.4246	4, 10, 16	27G/6391	AHO.38996	13, 19, 23
27G/5930	AH.40937	4, 10, 16	27G/6392	AHO.38995	13, 19, 23
27G/5931	AHM.4245	4, 10, 16	27G/6482	AHO.80449	3, 9, 15, 20
27G/5932	AH.40936	4, 10, 16	27G/6483	AHO.80450	3, 9, 15, 20
27G/5933	AHO.37105	5, 11, 17, 20	27G/6503	AHM.5398	23
27G/5934	AHO.37102	5, 11, 17	27G/6580	Salter 5100-25	21
27G/5935	AHO.37107	5, 11, 17, 21	27G/6604	AHO.80972/3	22
27G/5936	AHO.37686	5, 11, 17	27G/6605	AHO.80972/2	22
27G/5937	AHO.37103	5, 11, 17	27G/6616	AHM.5467	43, 44
27G/5938	AHO.37777	5, 11, 17	27G/6617	AHM.5468	43, 44
27G/5939	AHO.37655	6, 11, 18	27G/6619	AHO.80645	21
27G/5940	AHO.37106	6, 11, 18, 23	27G/6652	AHO.81346	21
27G/5941	AHO.37259	6	27G/6654	AHO.81348	21
27G/5942	AHM.4620	6, 11, 18	27G/6655	AHO.81349	21
27G/5943	AHO.37554	6, 11, 18	27G/6729	AHO.36376	3, 9, 15, 20
27G/5944	AHM.4619	6, 12, 18	27G/6753	AHO.38603	10, 20
27G/5945	AHO.35100	6, 12, 18, 22	27G/6841	AH.42614	22
27G/5947	AHO.37272	7, 12, 18, 23	27G/6842	AH.42615	22
27G/5949	AHO.35900	7, 13, 19, 24	27G/6843	AHO.82728	22
27G/5950	AHO.36381	7, 13, 19, 24	27G/6844	AHO.82737	22
27G/5956	AHO.37051	5, 11, 17	27G/6845	AHO.82729	22
27G/5957	AHO.37052	6, 11, 18, 22	27G/6846	AHO.82730	22
27G/5993	AHO.37042	3, 9, 15, 20	27G/7066	AHO.83460	13, 19, 23
27G/6022	AHO.37904	9, 16, 21	27G/7067	AHO.83461	13, 19, 23
			27G/7068	AHO.39016	13, 19, 23

INDEX OF REFERENCE NUMBERS
SEA VIXEN

Ref. No.	Part No.	Page	Ref. No.	Part No.	Page
27J/325	AHO.26729	53, 93	27VA/2955	AHO.4437	49
27J/326	AHO.18707	53	27VA/2964	ACO.4680	57
27J/327	AHO.18721	53	27VA/2968	ACO.5091	57
27J/328	AHO.18714	53	27VA/2979	ACO.4673	59
27J/329	AHO.18718	53	27VA/2980	ACO.4670/3	60
27J/330	AHO.18719	53	27VA/2984	ACO.4677	61
27J/331	AHO.26654	53	27VA/2986	ACO.5856	51
27J/365	ACO.4118	30	27VA/2988	ACO.5862	51
27J/424	ACO.21632	31	27VA/2989	ACO.5860	51
27J/425	ACO.21077	31	27VA/2990	ACO.5861	51
27J/429	ACO.21639	31	27VA/2991	ACO.5858	51
27J/435	ACO.21625	32	27VA/2992	ACO.1520	28
27J/436	ACO.21714	32	27VA/2993	ACO.4576	28
27J/442	ACO.21631	31	27VA/3001	ACO.1518	28
27J/453	AC.14362	31, 91	27VA/3262	ACO.2008	73
27J/454	ACO.23212	53	27VA/3263	ACO.2009	73
27J/458	ACO.23866	32	27VA/3264	AHO.20605	73
27J/467	ACO.23546	31	27VA/3265	AHO.20612	73
27J/496	ACO.23547	31	27VA/3368	ACO.1522	28
27J/497	ACO.23548	31	27VA/3369	ACO.6698	51
27J/499	ACO.24632	31	27VA/3398	ACO.4368	74
27J/518	ACM.20700	31	27VA/3501	DAS.224/050	84
27J/519	ACM.19274	31	27VA/3610	ACO.4326	68, 69, 71
27J/520	ACO.27190	32	27VA/3611	ACO.2591	67
27J/521	ACO.27210	31	27VA/3924	ACO.7513	82
27J/522	ACO.26413	31	27VA/3977	ACO.7262	75
27J/523	ACO.23549	31	27VA/3979	ACO.7261	75
			27VA/4076	ACO.2748	67
			27VA/4143	ACO.9056	28
			27VA/4145	ACO.9054	28
			27VA/4146	ACO.9083	28
27QA/285	Dowty SP.900B/19	5, 11, 17	27VA/4183	AO.47993	92
27QA/575	Dowty GD.1687	59	27VA/4184	AO.47994	92
27QA/769	Dowty GD.1801A/16	22	27VA/4261	Unbrako Screw	60
27QA/770	Dowty GD.1801A/20	22	27VA/4276	ACO.6060	28
27QA/878	Dowty GD.1459B/2	87	27VA/4284	ACO.20027	28
27QA/1069	Dowty GD.1807A/3	87	27VA/4317	ACO.1636	69, 71
			27VA/4417	ACM.16738	25
			27VA/4430	ACO.6059	28
			27VA/4450	ACO.8168	25, 81
			27VA/4604	AO.100684	91
			27VA/4657	ACO.2747	70
			27VA/4692	ACO.7931	25, 81
			27VA/4713	ACO.20923	25
			27VA/4714	ACM.16722	25
27VA/2898	ACO.2487	70	27VA/4715	ACO.20925	25
27VA/2899	ACO.4351	67	27VA/4716	ACO.20928	25
27VA/2900	ACO.2779	67, 68	27VA/4717	ACO.9674	25
27VA/2901	ACO.1626	67, 68, 69, 70	27VA/4718	ACO.8677	25
27VA/2902	ACO.1625	67, 68, 69, 70	27VA/4719	ACO.9678	25, 81
27VA/2903	ACO.1612	67	27VA/4720	ACO.8681	25
27VA/2904	ACO.1624	67, 68, 70	27VA/4721	AHO.15192	25
27VA/2954	ACO.2825	73	27VA/4722	ACO.20930	25
			27VA/4724	ACO.8678	25

INDEX OF REFERENCE NUMBERS
SEA VIXEN

Ref. No.	Part No.	Page	Ref. No.	Part No.	Page
27VA/4726	ACO.9679	25, 81	27VA/5431	ACO.9095	77
27VA/4727	ACO.9880	25, 81	27VA/5432	ACO.9089	77
27VA/4728	ACO.9680	25, 82	27VA/5433	ACO.9085	77
27VA/4729	ACO.8676	25	27VA/5434	ACO.9096	77
27VA/4730	ACO.20924	25	27VA/5435	ACO.9090	77
27VA/4731	Unbrako Screw	25	27VA/5436	ACO.9099	77
27VA/4732	ACO.8687	26	27VA/5437	ACO.9098	77
27VA/4733	ACO.8679	26	27VA/5439	ACO.23254	81
27VA/4734	ACO.9677	26, 82	27VA/5440	ACO.23025	81
27VA/4735	ACO.20929	26	27VA/5441	ACO.22790	81
27VA/4736	ACO.8680	26	27VA/5442	ACO.23043	81
27VA/4737	ACO.9145	26, 82	27VA/5443	ACO.22954	81
27VA/4833	ACO.20430	75	27VA/5444	ACO.22785	81
27VA/4835	ACO.20428	75	27VA/5445	ACO.23044	81
27VA/4838	ACO.20432	76	27VA/5446	ACO.22800	81
27VA/4850	ACO.20540	28	27VA/5447	ACO.22961	81
27VA/4851	ACO.20129	28	27VA/5448	ACO.23673	82
27VA/4852	ACO.20539	28	27VA/5449	ACO.23433	82
27VA/4947	ACO.2833	68	27VA/5450	ACO.22798	82
27VA/4948	ACO.2403	67, 68, 69, 70, 71	27VA/5451	ACO.23674	82
27VA/4961	ACO.21781	30	27VA/5452	ACO.9675	82
27VA/5202	ACM.18570	51, 93	27VA/5453	ACO.22792	82
27VA/5212	ACM.18302	30, 92	27VA/5454	ACO.23675	82
27VA/5213	ACO.22174	30	27VA/5455	ACO.22020	82
27VA/5258	AO.101287	93	27VA/5456	ACO.22868	82
27VA/5267	ACO.22340	51	27VA/5457	ACO.22791	82
27VA/5268	ACO.22341	51	27VA/5458	ACO.23915	82
27VA/5269	ACO.22342	51	27VA/5459	ACO.22799	82
27VA/5270	ACO.23185	25, 81	27VA/5500	ACM.19502	77, 94
27VA/5272	ACO.7378	34, 40	27VA/5501	ACO.24697	77
27VA/5284	ACM.18798	52, 93	27VA/5564	ACO.24021	62
27VA/5310	ACM.18534	29, 92	27VA/5610	AM.20519	92
27VA/5311	ACO.23186	29	27VA/5611	AO.103060	92
27VA/5312	ACO.22569	29	27VA/5619	ACO.8308/8	77, 79
27VA/5313	ACO.22629	29	27VA/5735	AC.11846	1, 91
27VA/5360	ACO.23310	28	27VA/5736	ACO.26832	1
27VA/5362	ACO.23309	28	27VA/5737	ACO.26083	1
27VA/5367	ACO.22671	1	27VA/5743	AO.102431	94
27VA/5405	AO.102254	94	27VA/5745	AO.103911	94
27VA/5417	ACO.23893	1	27VA/5746	AO.103912	94
27VA/5419	ACM.18906	28, 92	27VA/5761	AC.13390	49, 93
27VA/5420	ACO.23308	28	27VA/5762	ACO.24486	49
27VA/5421	AC.13492	67, 93	27VA/5763	ACO.24488	49
27VA/5422	ACO.8084	67	27VA/5764	ACO.26658	49
27VA/5423	ACO.20533	68	27VA/5765	ACO.24489	49
27VA/5424	ACO.5282	68, 70	27VA/5766	ACM.20621	49
27VA/5425	ACM.18560	79, 94	27VA/5769	ACO.24495	49
27VA/5426	ACO.22367	79	27VA/5770	ACO.24496	49
27VA/5427	ACO.9701	79	27VA/5771	ACO.26653	49
27VA/5428	ACO.9702	79	27VA/5772	ACO.26650	49
27VA/5430	ACO.9100	77	27VA/5774	ACO.24497	49
			27VA/5775	ACO.24452	49, 83

INDEX OF REFERENCE NUMBERS
SEA VIXEN

Ref. No.	Part No.	Page	Ref. No.	Part No.	Page
27VA/5804	AM.20923	91	27WW/37	AHO.21053	47
27VA/5805	ACO.24318	1	27WW/42	AHO.22044	47
27VA/5825	AC.14852	83, 84, 94	27WW/89	AHO.21038	47
27VA/5826	ACO.26245	83	27WW/96	AHO.21021	47
27VA/5827	ACO.26244	83	27WW/130	AHO.21015	45
27VA/5828	ACO.26246	84	27WW/131	AHO.21020	45
27VA/5829	DAS.224/069	84	27WW/136	AHO.22040	46
27VA/5831	ACO.26236	83	27WW/137	AHO.21014	46
27VA/5832	ACO.26242	83	27WW/147	ACO.4457	47
27VA/5833	ACO.26233	84	27WW/148	AHO.21010	47
27VA/5834	ACO.26249	83	27WW/154	ACO.5809	48
27VA/5835	ACO.26247	83	27WW/155	AHO.22152	48
27VA/5836	ACO.26241	84	27WW/188	ACO.6788	46
27VA/5837	ACO.26240	83	27WW/189	ACO.6980	46
27VA/5838	ACO.26235	84	27WW/194	ACO.5699	47
27VA/5911	ACO.26591	29, 30	27WW/196	ACO.6790	48
27VA/5953	AC.60598	81	27WW/197	ACO.7286	48
27VA/5954	ACM.20906	68	27WW/231	AHO.22147	47
27VA/5956	ACM.20188	75	27WW/232	ACO.5695	47
27VA/5959	ACO.27088	75	27WW/233	ACO.5696	46
27VA/5961	ACO.27084	75	27WW/234	ACO.5698	46
27VA/5962	ACO.27082	76	27WW/236	ACO.5808	48
27VA/5963	ACO.27080	75	27WW/237	ACO.5697	48
27VA/5964	ACO.27074	75	27WW/238	ACO.5694	47
27VA/5965	ACO.27078	76	27WW/348	ACO.20551	45
27VA/5966	ACO.27079	75	27WW/349	ACO.4598	45
27VA/5968	ACM.20678	75	27WW/350	ACO.20523	45
27VA/5971	ACO.2964	70	27WW/423	ACO.9780	45
27VA/5972	ACO.27601	70	27WW/424	ACO.9786	45
27VA/5973	AC.60322	70	27WW/425	ACO.9784	45
27VA/5984	ACO.27020	73	27WW/428	ACO.4594	46
27VA/5985	ACO.27714	73	27WW/430	AHO.21386	47
27VA/6012	ACO.22338	51	27WW/432	ACO.9787	47
27VA/6023	ACO.28732	81	27WW/434	ACO.20112	63
27VA/6024	ACO.28576	81	27WW/436	ACO.9844	63
27VA/6025	ACO.28394	82	27WW/437	ACO.20055	63
27VA/6153	ACO.8683	25	27WW/443	ACO.20035	64
27VA/6160	ACO.9097	77	27WW/444	ACO.20060	64
27VA/6165	ACO.8674	26	27WW/445	ACO.20061	64
27VA/6223	AC.60330	69	27WW/455	ACO.20039	65
27VA/6294	ACO.5283	69, 71	27WW/456	ACO.20059	65
27VA/6322	ACM.21752	30	27WW/457	ACO.20033	65
27VA/6392	ACO.27927	69, 71	27WW/488	ACO.20550	45
27VA/6394	ACO.28012	69, 71	27WW/489	ACO.21757	45
27VA/6395	ACO.29121	69, 71	27WW/499	ACO.8771	79
27VA/6430	AC.60384	71	27WW/511	ACO.22009	65
27VA/6431	ACO.22489	71	27WW/534	ACO.21313	46
27VA/6432	ACO.25388	71	27WW/535	ACO.22682	45
27VA/6434	ACO.31056	71	27WW/536	ACO.4599	48
27VA/6547	ACO.2404	68, 69, 70, 71	27WW/537	ACO.23269	63

**INDEX OF REFERENCE NUMBERS
SEA VIXEN**

Ref. No.	Part No.	Page	Ref. No.	Part No.	Page
27WW/538	ACO.23267	63			
27WW/539	ACO.23268	64			
27WW/540	ACO.23270	64			
27WW/580	ACO.23261	64			
27WW/581	ACO.23264	64			
27WW/582	ACO.24140	64			
27WW/583	ACO.23265	64			
27WW/584	ACO.23262	64			
27WW/585	ACO.23263	64			
27WW/608	ACO.23274	63			
27WW/611	ACO.23273	63			
27WW/612	ACO.23266	64			
27WW/615	ACO.23272	65			
27WW/678	AC.14958	45			
27WW/681	AC.14960	63, 64, 65, 93			
27WW/685	ACO.27250	65			
27WW/686	ACM.20674	1			

**INDEX OF PART NUMBERS
SEA VIXEN**

Part No.	Ref. No.	Page	Part No.	Ref. No.	Page
AC.11846	27VA/5735	1, 91	ACM.19502	27VA/5500	77, 94
AC.13390	27VA/5761	49, 93	ACM.19680/8	5CW/6928	32
AC.13492	27VA/5421	67, 93	ACM.20098/8	5CW/6897	32
AC.14362	27J/453	31, 32, 92	ACM.20188	27VA/5956	75, 76
AC.14524	27G/2848	57, 58, 59, 60, 61, 62, 93	ACM.20621	27VA/5766	49
		83, 84, 94	ACM.20634	27G/2926	36
AC.14852	27VA/5825	45, 46, 47, 48	ACM.20674	27WW/686	1
AC.14958	27WW/678	63, 64, 65, 93	ACM.20678	27VA/5968	75
AC.14960	27WW/681	32	ACM.20683	—	47
AC.60264/8	5CW/6896	70	ACM.20685	—	63
AC.60322	27VA/5973	69	ACM.20700	27J/518	31
AC.60330	27VA/6223	71	ACM.20765	—	41
AC.60384	27VA/6430	81, 82	ACM.20766	—	41
AC.60598	27VA/5953	39, 40, 41, 42, 92	ACM.20775	—	35
AC.61108	27G/3106	39, 40, 41, 42, 92	ACM.20776	—	35
AC.61114	27G/3107	33, 34, 35, 36, 92	ACM.20906	27VA/5954	68
AC.61116	27G/3099	33, 34, 35, 36, 92	ACM.21651	—	39
AC.61122	27G/3100	33, 34, 35, 36, 92	ACM.21652	—	39
			ACM.21653	—	33
			ACM.21654	—	33
			ACM.21752	27VA/6322	30
			ACO.1283	27G/2116	75
ACM.16513	27G/3167	33	ACO.1518	27VA/3001	28
ACM.16514	27G/3166	33	ACO.1520	27VA/2992	28
ACM.16591	27G/3168	34	ACO.1522	27VA/3368	28
ACM.16592	27G/3169	34	ACO.1603	27G/2766	74
ACM.16722	27VA/4714	25	ACO.1604/R	—	73
ACM.16738	27VA/4417	25, 26	ACO.1612	27VA/2903	67
ACM.17341	—	46	ACO.1624	27VA/2904	67, 68, 70
ACM.17504	27G/2764	74, 94	ACO.1625	27VA/2902	67, 68, 69, 70
ACM.18302	27VA/5212	30, 92	ACO.1626	27VA/2901	67, 68, 69, 70
ACM.18497	27G/3441	41	ACO.1636	27VA/4317	69, 71
ACM.18524	27G/3181	39	ACO.2005	—	73
ACM.18525	—	40	ACO.2008	27VA/3262	73
ACM.18534	27VA/5310	29, 92	ACO.2009	27VA/3263	73
ACM.18536	27G/3173	40	ACO.2010	—	73
ACM.18544	—	40	ACO.2403	27VA/4948	67, 68, 69, 70, 71
ACM.18545	27G/3174	40			
ACM.18560	27VA/5425	79, 94	ACO.2404	27VA/6547	68, 69, 70, 71
ACM.18570	27VA/5202	51, 93	ACO.2487	27VA/2898	70
ACM.18587	27G/3440	35	ACO.2591	27VA/3611	67
ACM.18626	27G/3176	39	ACO.2747	27VA/4657	70
ACM.18627	27G/3175	39	ACO.2748	27VA/4076	67
ACM.18686	5CW/6383	53, 93	ACO.2779	27VA/2900	67, 68
ACM.18712	—	45	ACO.2825	27VA/2954	73
ACM.18798	27VA/5284	52, 93	ACO.2833	27VA/4947	68
ACM.18906	27VA/5419	28, 92	ACO.2964	27VA/5971	70
ACM.19274	27J/519	31	ACO.3245	27G/2351	62

**INDEX OF PART NUMBERS
SEA VIXEN**

Part No.	Ref. No.	Page	Part No.	Ref. No.	Page
ACO.4101	—	53	ACO.5695	27WW/232	47
ACO.4118	27J/365	30	ACO.5696	27WW/233	46
ACO.4119	—	53	ACO.5697	27WW/237	48
ACO.4326	27VA/3610	68, 69, 71	ACO.5698	27WW/234	46
ACO.4351	27VA/2899	67	ACO.5699	27WW/194	47
ACO.4368	27VA/3398	74	ACO.5808	27WW/236	48
ACO.4457	27WW/147	47	ACO.5809	27WW/154	48
ACO.4576	27VA/2993	28	ACO.5856	27VA/2986	51
ACO.4594	27WW/428	46	ACO.5858	27VA/2991	51
ACO.4597	—	46	ACO.5860	27VA/2989	51
ACO.4598	27WW/349	45	ACO.5861	27VA/2990	51
ACO.4599	27WW/536	48	ACO.5862	27VA/2988	51
ACO.4649	27G/2765	74	ACO.5977	27G/3130	34
ACO.4670/1	27G/2195	60	ACO.6059	27VA/4430	28
ACO.4670/3	27VA/2980	60	ACO.6060	27VA/4276	28
ACO.4670/4	27G/2194	30, 60	ACO.6213	27G/2887	58
ACO.4670/9	27G/2878	60	ACO.6410	27G/3134	34
ACO.4671	27G/2202	61	ACO.6412	27G/3165	33
ACO.4673	27VA/2979	59	ACO.6698	27VA/3369	51
ACO.4677	27VA/2984	61	ACO.6788	27WW/188	46
ACO.4680	27VA/2964	57	ACO.6790	27WW/196	48
ACO.4699	27G/2189	59	ACO.6980	27WW/189	46
ACO.4700	27G/2187	59	ACO.6985	27G/2249	58
ACO.4701	27G/2185	58	ACO.7261	27VA/3979	75
ACO.4702	27G/2235	59	ACO.7262	27VA/3977	75
ACO.4703	27G/2184	59	ACO.7286	27WW/197	48
ACO.4709	27G/2190	59	ACO.7358	27G/3135	34
ACO.4710	27G/2186	59	ACO.7359	27G/3150	34
ACO.5091	27VA/2968	57	ACO.7360	27G/2491	35
ACO.5282	27VA/5424	68, 70	ACO.7361	27G/2489	35
ACO.5283	27VA/6294	69, 71	ACO.7378	27VA/5272	34, 40
ACO.5449	27G/2991	35, 41	ACO.7513	27VA/3924	82
ACO.5450	27G/2992	41	ACO.7621	27G/2715	35
ACO.5453/A	27G/2743	35, 41	ACO.7931	27VA/4692	25, 81
ACO.5453/B	27G/2822	35, 41	ACO.7996	27G/3145	35
ACO.5453/C	27G/2823	35, 41	ACO.8003	27G/3164	33
ACO.5454	27G/3129	34	ACO.8084	27VA/5422	67
ACO.5455	27G/2698	35, 41	ACO.8168	27VA/4450	25, 81
ACO.5456	27G/3033	33, 34, 40	ACO.8308/8	27VA/5619	77, 79
ACO.5462	27G/3131	34	ACO.8426	27G/2769	74
ACO.5463	27G/3136	33	ACO.8627	27G/2371	57
ACO.5478	27G/3132	34	ACO.8629	27G/2372	57
ACO.5480	27G/2979	34, 40	ACO.8638	27G/2374	61
ACO.5489	27G/3139	33	ACO.8639	27G/2373	61
ACO.5493	27G/3140	33, 39	ACO.8674	27VA/6165	26
ACO.5494	27G/3141	33	ACO.8676	27VA/4729	25
ACO.5495	27G/2697	35, 40	ACO.8677	27VA/4718	25
ACO.5554	27G/2199	61	ACO.8678	27VA/4724	25
ACO.5694	27WW/238	47	ACO.8679	27VA/4733	26

INDEX OF PART NUMBERS

SEA VIXEN

Part No.	Ref. No.	Page	Part No.	Ref. No.	Page
ACO.8680	27VA/4736	26	ACO.20277	27G/2716	35
ACO.8681	27VA/4720	25	ACO.20280	27G/2717	40
ACO.8683	27VA/6153	25	ACO.20281	27G/3212	39
ACO.8687	27VA/4732	26	ACO.20291	27G/2977	39
ACO.8694	27G/2456	57	ACO.20428	27VA/4835	75
ACO.8771	27WW/499	79	ACO.20430	27VA/4833	75
ACO.8810	27G/3161	34, 40	ACO.20432	27VA/4838	76
ACO.8819	27G/2490	35	ACO.20473	27G/2542	61
ACO.8820	27G/2422	34	ACO.20523	27WW/350	45
ACO.9054	27VA/4145	28	ACO.20533	27VA/5423	68
ACO.9056	27VA/4143	28	ACO.20539	27VA/4852	28
ACO.9083	27VA/4146	28	ACO.20540	27VA/4850	28
ACO.9085	27VA/5433	77	ACO.20549	5CW/6879	32
ACO.9086	—	77	ACO.20550	27WW/488	45
ACO.9088	—	77	ACO.20551	27WW/348	45
ACO.9089	27VA/5432	77	ACO.20592	27G/2740	34, 40
ACO.9090	27VA/5435	77	ACO.20594	27G/3133	34
ACO.9095	27VA/5431	77	ACO.20830	27G/2746	39
ACO.9096	27VA/5434	77	ACO.20923	27VA/4713	25
ACO.9097	27VA/6160	77	ACO.20924	27VA/4730	25
ACO.9098	27VA/5437	77	ACO.20925	27VA/4715	25
ACO.9099	27VA/5436	77	ACO.20928	27VA/4716	25
ACO.9100	27VA/5430	77	ACO.20929	27VA/4735	26
ACO.9145	27VA/4737	26, 80	ACO.20930	27VA/4722	25
ACO.9457	27G/2767	74	ACO.20978	27G/2983	40
ACO.9674	27VA/4717	25	ACO.20979	27G/2982	40
ACO.9675	27VA/5452	82	ACO.20980	27G/2984	40
ACO.9677	27VA/4734	26, 82	ACO.20986	27G/2986	40
ACO.9678	27VA/4719	25, 81	ACO.20991	27G/2985	40
ACO.9679	27VA/4726	25, 81	ACO.21077	27J/425	31
ACO.9680	27VA/4728	25, 82	ACO.21093	27G/3126	34
ACO.9701	27VA/5427	79	ACO.21313	27WW/534	46
ACO.9702	27VA/5428	79	ACO.21625	27J/435	32
ACO.9754	5CW/8535	32	ACO.21631	27J/442	31
ACO.9780	27WW/423	45	ACO.21632	27J/424	31
ACO.9784	27WW/425	45	ACO.21639	27J/429	31
ACO.9786	27WW/424	45	ACO.21714	27J/436	32
ACO.9787	27WW/432	47	ACO.21721	27G/2741	33
ACO.9844	27WW/436	63	ACO.21722	27G/2742	34
ACO.9880	27VA/4727	25, 81	ACO.21757	27WW/489	45
ACO.9901	27G/2460	58	ACO.21759	27G/2625	57
ACO.9901/M	27G/2941	58	ACO.21760	27G/2619	58
ACO.20027	27VA/4284	28	ACO.21761	27G/2621	61
ACO.20033	27WW/457	65	ACO.21781	27VA/4961	30
ACO.20035	27WW/443	64	ACO.21797	27G/2639	60
ACO.20039	27WW/455	65	ACO.22009	27WW/511	65
ACO.20055	27WW/437	63	ACO.22020	27VA/5455	82
ACO.20059	27WW/456	65	ACO.22029	27G/3146	36
ACO.20060	27WW/444	64	ACO.22030	27G/3147	36
ACO.20061	27WW/445	64	ACO.22112	27G/3143	35
ACO.20112	27WW/434	63	ACO.22121	27G/3142	35
ACO.20129	27VA/4851	28	ACO.22174	27VA/5213	30

**INDEX OF PART NUMBERS
SEA VIXEN**

Part No.	Ref. No.	Page	Part No.	Ref. No.	Page
ACO.22179	27G/2996	41	ACO.23308	27VA/5420	28
ACO.22180	27G/6036	43, 44	ACO.23309	27VA/5362	28
ACO.22182	27G/2744	40	ACO.23310	27VA/5360	28
ACO.22184	27G/2994	41	ACO.23409	27G/2972	39
ACO.22187	27G/3179	41	ACO.23410	27G/2971	39
ACO.22188	27G/3207	41	ACO.23433	27VA/5449	82
ACO.22191	27G/2988	41	ACO.23482	—	57
ACO.22193	27G/2987	41	ACO.23484	27G/2877	57
ACO.22197	27G/2995	41	ACO.23485	27G/2850	60
ACO.22199	—	43, 44	ACO.23486	27G/2852	59
ACO.22276	27G/2981	40	ACO.23488	27G/2858	61
ACO.22338	27VA/6012	51	ACO.23490	27G/2856	58
ACO.22340	27VA/5267	51	ACO.23492	27G/2849	60
ACO.22341	27VA/5268	51	ACO.23496	27G/2864	61
ACO.22342	27VA/5269	51	ACO.23497	27G/2888	58
ACO.22367	27VA/5426	79	ACO.23498	27G/2861	59
ACO.22489	27VA/6431	71	ACO.23499/1	27G/2860	61
ACO.22569	27VA/5312	29	ACO.23499/2	27G/2859	61
ACO.22629	27VA/5313	29	ACO.23503	27G/2876	57
ACO.22671	27VA/5367	1	ACO.23504	27G/2882	58
ACO.22682	27WW/535	45	ACO.23505	—	57
ACO.22785	27VA/5444	81	ACO.23506	27G/2884	61
ACO.22786	—	81	ACO.23513	27G/2874	57
ACO.22790	27VA/5441	81	ACO.23514	27G/2881	57
ACO.22791	27VA/5457	82	ACO.23515	27G/2872	57
ACO.22792	27VA/5453	82	ACO.23516	27G/2880	57
ACO.22798	27VA/5450	82	ACO.23518	27G/2851	57
ACO.22799	27VA/5459	82	ACO.23519	27G/2873	57
ACO.22800	27VA/5446	81	ACO.23520	27G/2875	58
ACO.22868	27VA/5456	82	ACO.23522	27G/2862	58
ACO.22954	27VA/5443	81	ACO.23523	27G/2869	60
ACO.22961	27VA/5447	81	ACO.23546	27J/467	31
ACO.23025	27VA/5440	81	ACO.23547	27J/496	31
ACO.23043	27VA/5442	81	ACO.23548	27J/497	31
ACO.23044	27VA/5445	81	ACO.23549	27J/523	31
ACO.23185	27VA/5270	25, 81	ACO.23571	27G/2868	61
ACO.23186	27VA/5311	29	ACO.23573	27G/2883	57
ACO.23206	27G/2708	34, 39	ACO.23576	27G/2886	57
ACO.23212	27J/454	53	ACO.23584	27G/2885	57
ACO.23254	27VA/5439	81	ACO.23606	27G/2768	74
ACO.23261	27WW/580	64	ACO.23673	27VA/5448	82
ACO.23262	27WW/584	64	ACO.23674	27VA/5451	82
ACO.23263	27WW/585	64	ACO.23675	27VA/5454	82
ACO.23264	27WW/581	64	ACO.23732	27G/3155	36
ACO.23265	27WW/583	64	ACO.23733	27G/3158	35
ACO.23266	27WW/612	64	ACO.23734	27G/3157	36
ACO.23267	27WW/538	63	ACO.23735	—	35
ACO.23268	27WW/539	64	ACO.23736	27G/3156	35
ACO.23269	27WW/537	63	ACO.23843	27G/2892	60
ACO.23270	27WW/540	64	ACO.23846	27G/2893	61
ACO.23272	27WW/615	65	ACO.23861	—	31
ACO.23273	27WW/611	63	ACO.23866	27J/458	32
ACO.23274	27WW/608	63	ACO.23893	27VA/5417	1
			ACO.23915	27VA/5458	82

**INDEX OF PART NUMBERS
SEA VIXEN**

Part No.	Ref. No.	Page	Part No.	Ref. No.	Page
ACO.24021	27VA/5564	62	ACO.26241	27VA/5836	84
ACO.24082	—	58	ACO.26242	27VA/5832	83
ACO.24083	27G/2895	58	ACO.26244	27VA/5827	83
ACO.24084	27G/2894	59	ACO.26245	27VA/5826	83
ACO.24140	27WW/582	64	ACO.26246	27VA/5828	84
ACO.24275	27G/3137	33	ACO.26247	27VA/5835	83
ACO.24318	27VA/5805	1	ACO.26249	27VA/5834	83
ACO.24452	27VA/5775	49, 83	ACO.26405	—	32
ACO.24480	27G/6093	6, 12, 18, 23	ACO.26413	27J/522	31
ACO.24483	—	49	ACO.26591	27VA/5911	29, 30
ACO.24486	27VA/5762	49	ACO.26635	27G/2929	41
ACO.24488	27VA/5763	49	ACO.26650	27VA/5772	49
ACO.24489	27VA/5765	49	ACO.26651	—	49
ACO.24495	27VA/5769	49	ACO.26653	27VA/5771	49
ACO.24496	27VA/5770	49	ACO.26656	—	49
ACO.24497	27VA/5774	49	ACO.26658	27VA/5764	49
ACO.24501	27G/2775	36, 41	ACO.26832	27VA/5736	1
ACO.24509	27G/3218	39	ACO.27020	27VA/5984	73
ACO.24512	27G/3138	33	ACO.27074	27VA/5964	75
ACO.24567	—	57	ACO.27076	—	75
ACO.24600	27G/2889	61	ACO.27078	27VA/5965	76
ACO.24632	27J/499	31	ACO.27079	27VA/5966	75
ACO.24697	27VA/5501	77	ACO.27080	27VA/5963	75
ACO.25008	27G/2890	57	ACO.27081	—	75
ACO.25011	27G/2867	60	ACO.27082	27VA/5962	76
ACO.25388	27VA/6432	71	ACO.27084	27VA/5961	75
ACO.25478	27G/2896	60	ACO.27087	—	76
ACO.25489	27G/3206	39	ACO.27088	27VA/5959	75
ACO.25494	27G/2865	57	ACO.27190	27J/520	32
ACO.25495	27G/2863	58	ACO.27210	27J/521	31
ACO.25496	27G/2897	58	ACO.27249	—	64
ACO.25497	27G/2898	60	ACO.27250	27WW/685	65
ACO.26042	27G/2924	36	ACO.27254	—	47
ACO.26050	—	57	ACO.27255	—	46
ACO.26060	27G/2854	58	ACO.27261	—	63
ACO.26080	27G/2866	58	ACO.27288	—	63
ACO.26081	27G/2853	59	ACO.27289	—	65
ACO.26083	27VA/5737	1	ACO.27290	—	63
ACO.26091	—	31	ACO.27296	—	63
ACO.26092	—	31	ACO.27297	—	64
ACO.26093	—	31	ACO.27450	27G/2440	36
ACO.26214	—	64	ACO.27451	27G/2547	36
ACO.26231	—	83	ACO.27452	27G/2580	36
ACO.26232	—	83	ACO.27561	—	31
ACO.26233	27VA/5833	84	ACO.27601	27VA/5972	70
ACO.26234	—	84	ACO.27714	27VA/5985	73
ACO.26235	27VA/5838	84	ACO.27812	27G/6361	43, 44
ACO.26236	27VA/5831	83	ACO.27927	27VA/6392	69, 71
ACO.26237	—	83	ACO.27929	—	69, 71
ACO.26238	—	84	ACO.27930	—	69, 71
ACO.26239	—	83	ACO.27931	—	69
ACO.26240	27VA/5837	83	ACO.28012	27VA/6394	69, 71

**INDEX OF PART NUMBERS
SEA VIXEN**

Part No.	Ref. No.	Page	Part No.	Ref. No.	Page
ACO.28065/8	—	32	AH.51631	27A/4305	85, 86, 95
ACO.28394	27VA/6025	82	AH.51748	27A/4519	87, 88
ACO.28414	27G/3123	34	AH.52157	27A/4721	88
ACO.28415	27G/3124	33	AH.52181	27G/4261	20, 21, 22,
ACO.28576	27VA/6024	81			23, 24
ACO.28732	27VA/6023	81	AH.52182	27G/4262	20, 21, 22,
ACO.29121	27VA/6395	69, 71			23, 24
ACO.29122	—	69	AH.52262	—	44
ACO.29199	27G/3110	40	AH.52263	—	44
ACO.29200	27G/3111	35, 40			
ACO.29221	—	34			
ACO.29275	27G/3224	57			
ACO.29278	27G/3226	57			
ACO.29404	—	30	AHM.4234	27G/5640	4, 10, 16
ACO.29405	—	30	AHM.4245	27G/5931	4, 10, 16
ACO.29408	—	30	AHM.4246	27G/5929	4, 10, 16
ACO.30092	27G/3180	41	AHM.4375	27G/5834	4, 10, 16, 22
ACO.30107	27G/3443	41	AHM.4450	27G/6117	37
ACO.30415	—	68	AHM.4453	27G/2755	37
ACO.30657	27G/3227	57	AHM.4454	27G/2756	37
ACO.31056	27VA/6434	71	AHM.4455	27G/2757	37, 43, 44
ACO.31057	—	71	AHM.4456	27G/2758	37
ACO.33258	5CW/10413	32	AHM.4457	27G/2759	37
			AHM.4458	27G/2760	37
			AHM.4459	27G/2761	37, 43, 44
			AHM.4460	27G/2762	37
			AHM.4619	27G/5944	6, 12, 18
AH.40732	—	6, 12, 18	AHM.4620	27G/5942	6, 11, 18
AH.40899	27A/3936	85, 87	AHM.5398	27G/6503	23
AH.40936	27G/5932	4, 10, 16	AHM.5467	27G/6616	43, 44
AH.40937	27G/5930	4, 10, 16	AHM.5468	27G/6617	43, 44
AH.41189	27G/6114	4, 10, 16, 22	AHM.5471	27G/6354	22
AH.41190	27G/6115	4, 10, 16, 22	AHM.5487	27G/6349	22
AH.41202	—	5, 10	AHM.5488	27G/6355	22
AH.41203	—	5, 10	AHM.5491	—	85
AH.41904	—	10, 17	AHM.5632	—	87, 88
AH.41906	—	10, 17	AHM.5906	—	87, 88
AH.41926	—	22	AHM.6104	—	88
AH.41927	—	22	AHM.6437	—	13, 19, 23
AH.42614	27G/6841	22			
AH.42615	27G/6842	22			
AH.50488	27A/4018	89, 96			
AH.51146	—	3, 4, 5, 6,			
		7, 91			
AH.51147	—	3, 4, 5, 6,			
		7, 91			
AH.51205	27G/4186	9, 10, 11, 12,			
		13, 91			
AH.51206	27G/4187	9, 10, 11, 12,			
		13, 91			
AH.51350	27G/4206	15, 16, 17, 18,			
		19, 91			
AH.51351	27G/4207	15, 16, 17, 18,			
		19, 91			

**INDEX OF PART NUMBERS
SEA VIXEN**

Part No.	Ref. No.	Page	Part No.	Ref. No.	Page
AHO.4437	27VA/2955	49	AHO.35741	27A/3736	85, 87
AHO.4727	27G/1970	73	AHO.35745	27A/4026	89
AHO.4861	27G/1871	28, 67, 68, 69, 70, 71	AHO.35746	27A/4024	89
AHO.15061/4	—	89	AHO.35783	27A/4025	89
AHO.15192	27VA/4721	25	AHO.35789	27G/5523	4, 10, 16
AHO.15502	27G/2023	74	AHO.35836	27G/5511	3, 9, 15, 20
AHO.15503	27G/2030	74	AHO.35837	27G/5537	6, 12, 18, 23
AHO.15511	27G/2604	75	AHO.35881	27G/5521	4, 10, 16
AHO.15512	27G/2029	75	AHO.35900	27G/5949	7, 13, 19
AHO.15513	27G/2040	76	AHO.36024	27A/4012	85
AHO.15517	27G/2028	74	AHO.36037	27A/4013	85, 87
AHO.15523	27G/2038	74	AHO.36038	27A/4014	85, 87
AHO.15526	27G/2039	74, 76, 84	AHO.36055	27A/3738	85, 87
AHO.16151/1	27G/2075	76	AHO.36137	27G/5923	3, 9, 15, 21
AHO.16151/2	27G/2035	76	AHO.36163	27G/5838	6, 12, 18
AHO.18707	27J/326	53	AHO.36201	27G/5926	3
AHO.18714	27J/328	53	AHO.36202	27G/5925	3
AHO.18718	27J/329	53	AHO.36210	27G/5543	4
AHO.18719	27J/330	53	AHO.36256	27G/5536	6
AHO.18721	27J/327	53	AHO.36257	27G/5517	4
AHO.19217	27G/2086	74	AHO.36332	27G/5618	6, 12, 18, 23
AHO.19246	27G/2088	74	AHO.36358	27A/4491	87, 89
AHO.20605	27VA/3264	73	AHO.36376	27G/6729	3, 9, 15, 20
AHO.20612	27VA/3265	73	AHO.36381	27G/5950	7, 13, 19, 24
AHO.20615	—	73	AHO.36620	27G/5916	3, 9, 15, 20
AHO.21010	27WW/148	47	AHO.36729	—	6, 12, 18, 23
AHO.21014	27WW/137	46	AHO.36907	27A/3979	85, 87
AHO.21015	27WW/130	45	AHO.36908	27A/3978	85, 87
AHO.21020	27WW/131	45	AHO.37042	27G/5993	3, 9, 15, 20
AHO.21021	27WW/96	47	AHO.37051	27G/5956	5, 11, 17
AHO.21038	27WW/89	47	AHO.37052	27G/5957	6, 11, 18, 22
AHO.21053	27WW/37	47	AHO.37057	27G/6151	6, 12, 18, 23
AHO.21386	27WW/430	47	AHO.37102	27G/5934	5, 11, 17
AHO.22040	27WW/136	46	AHO.37103	27G/5937	5, 11, 17
AHO.22044	27WW/42	47	AHO.37105	27G/5933	5, 11, 17, 20
AHO.22147	27WW/231	47	AHO.37106	27G/5940	6, 11, 18, 23
AHO.22152	27WW/155	48	AHO.37107	27G/5935	5, 11, 17, 21
AHO.25832	27G/5516	3, 9, 16, 21	AHO.37110	—	7, 13, 19, 24
AHO.26654	27J/331	53	AHO.37123	27G/5920	3, 9, 15, 20
AHO.26729	27J/325	53, 93	AHO.37125	27G/5924	3, 9, 15, 21
AHO.27450	27G/2440	36	AHO.37129	27G/5919	3, 9, 15, 20
AHO.27451	27G/2547	36	AHO.37152	27G/6112	5, 11, 17
AHO.27452	27G/2580	36	AHO.37185	—	37
AHO.28173	27G/2443	37	AHO.37217	27G/5928	4, 10, 16, 21
AHO.28533	27G/3444	43, 44	AHO.37223	27G/5917	3, 9, 15, 20
AHO.35100	27G/5945	6, 12, 18, 22	AHO.37223	27G/5917	3, 9, 15, 20
AHO.35285	27G/5406	7, 13, 19, 24	AHO.37259	27G/5941	6
AHO.35447	27G/5829	4	AHO.37272	27G/5947	7, 12, 18, 23
AHO.35673	27A/3734	85, 87	AHO.37403	27G/5921	3, 19, 37, 43, 44
AHO.35713	27A/4020	89	AHO.37445	27A/4022	89
AHO.35714	27A/4021	89	AHO.37539	27A/4015	85
AHO.35715	27A/4019	89	AHO.37554	27G/5943	6, 11, 81
			AHO.37591	27A/3965	85, 87

**INDEX OF PART NUMBERS
SEA VIXEN**

Part No.	Ref. No.	Page	Part No.	Ref. No.	Page
AHO.37613	27A/4006	85, 87	AM.10735	27A/3295	95
AHO.37645	27A/4017	86	AM.10737	27A/3305	95
AHO.37655	27G/5939	6, 11, 18	AM.18085	27G/3116	92
AHO.37686	27G/5936	5, 17	AM.20507	27G/5871	91
AHO.37761	27A/4011	85, 87	AM.20519	27VA/5610	92
AHO.37777	27A/5938	5, 11, 17	AM.20542	27G/5788	91
AHO.37866	27G/5826	9, 15, 20	AM.20576	27A/4067	96
AHO.37904	27G/6022	9, 16, 21	AM.20648	27G/6201	91
AHO.37905	27G/6031	12, 18, 23	AM.20654	27A/3988	95
AHO.37928	27G/6096	10, 16	AM.20655	27A/3989	95
AHO.37929	27G/6071	9, 15, 20	AM.20678	27G/5872	91
AHO.37930	27G/6097	9, 16, 20	AM.20782	27G/6124	91
AHO.37933	27G/6120	10, 16	AM.20907	27G/6125	91
AHO.37993	—	7	AM.20937	—	93
AHO.38134	27A/4023	89	AM.20923	27VA/5804	91
AHO.38238	27A/4215	85, 87	AM.21132	27G/6158	91
AHO.38251	27G/6098	17, 20	AM.21347	27G/2927	92
AHO.38408	27A/4149	86			
AHO.38445	27G/6095	9, 16			
AHO.38586	27A/4157	85			
AHO.38603	27G/6753	5, 10, 17, 20			
AHO.38604	27G/6113	5, 11, 17, 20	AO.42699	27A/3307	96
AHO.38995	27G/6392	13, 19, 23	AO.42798	27A/3084	95
AHO.38996	27G/6391	13, 19, 23	AO.42829	27A/3066	96
AHO.39016	27G/7068	13, 19, 23	AO.45524	27G/2337	93
AHO.39344	27G/6360	20	AO.45979	27A/3076	96
AHO.39345	27G/6358	20	AO.47993	27VA/4183	92
AHO.39617	—	20	AO.47994	27VA/4184	92
AHO.39626	27G/6351	21	AO.49205	27A/3322	95
AHO.39627	27G/6352	21	AO.55862	27G/2600	92
AHO.70343/ 12-25"	27G/3000	43	AO.59439	27G/2601	92
AHO.70343/ 13-00"	27G/2998	43	AO.100684	27VA/4604	91
AHO.72110/1	27G/3535	44	AO.101004	27A/3668	95
AHO.72110/2	27G/3536	44	AO.101237	27VA/5258	93
AHO.72110/3	27G/3537	44	AO.101984	27A/3943	95
AHO.72110/4	27G/3538	44	AO.102044	27A/4069	96
AHO.80104	27G/6359	21	AO.102055	27A/4068	96
AHO.80449	27G/6482	3, 9, 15, 20	AO.102236	27G/3112	92
AHO.80450	27G/6483	3, 9, 15, 20	AO.102254	27VA/5405	94
AHO.80645	27G/6619	21	AO.102412	27G/5873	91
AHO.80755	27A/4562	87	AO.102431	27VA/5743	94
AHO.80874	27A/4564	87	AO.102673	27G/2845	93
AHO.80955	27A/4568	88	AO.102674	27G/2843	93
AHO.80972/2	27G/6605	22	AO.102747	27G/6123	91
AHO.80972/3	27G/6604	21	AO.102755	27G/3114	92
AHO.81346	27G/6652	21	AO.102755	27VA/5611	92
AHO.81348	—	21	AO.103060	27G/6126	91
AHO.81349	—	21	AO.103353	—	93
AHO.81352	—	21	AO.103452	—	93
AHO.82728	27G/6843	22	AO.103453	—	93
AHO.82729	27G/6845	22	AO.103911	27VA/5745	94
AHO.82730	27G/6846	22	AO.103912	27VA/5746	94
AHO.82737	27G/6844	22			
AHO.83460	27G/7066	13, 19, 23			
AHO.83461	27G/7067	13, 19, 23			

INDEX OF PROPRIETARY PARTS
SEA VIXEN

Manufacturer	Description	Part No.	Ref. No.	Page No.
Britool	Adaptor, torque spanner	EB.710	—	95
	Wrench, "The Kee" midget	K.324	—	92
Dowty Equipment Ltd.	Ring, "O" Type	GD.1687	27QA/575	59
	Ring, "O" Type	SP.900B/6	—	13, 19, 23
	Ring, "O" Type	SP.900B/19	27QA/285	5, 11, 17
	Ring, "O" Type	GD.1801A/20	27QA/770	22
	Ring, "O" Type	GD.1801A/16	27QA/769	22
	Ring, "O" Type	GD.1459B/2	27QA/878	87
	Ring, "O" Type	GD.1807A/3	27QA/1069	87
Hoffmann Manufacturing Company Limited	Bearing, ball	N.463	2A/9501173	57
	Bearing (1 spot)	CS.5	2A/9500415	45
	Bearing, E/O fit	CS.5	—	45
Plessey Co. Limited	Plug, "Breeze", 7 amp 2-pin type	CZ.28090	5X/6001	70
	Plug, "Breeze", 7 amp 4-pin type	2CZ/84870	5X/7030	68
	Plug, "Breeze", 7 amp 2-pin type	2CZ/108906	5X/7108	67, 69, 71
	Sleeve	Z.49428	5X/3148	70
Ransome and Marles Ltd.	Bearing, E/O fit	CK.½A	—	45
G. Salter & Co. Ltd.	Circlip, "Truarc"	5100.25	27G/6580	21
A. Schrader's Son	Cap	2525	27A/3173	55, 86, 89
	Cap	1549	—	88
	Core	6100E	27A/3174	55, 86, 89
	Core	5230	27A/4490	86, 88, 89
	Nut	9710	27A/2257	55
	Washer	725	—	55
	Washer	4046	—	55
	Extension	1015	27A/1113	88

INDEX OF PROPRIETARY PARTS
SEA VIXEN

Manufacturer	Description	Part No.	Ref. No.	Page No.
Skefko Ball Bearing Co.	Bearing	CBS.4	—	45
The Headland Engineering Development Limited	Pin, tension, C.V. $\frac{3}{32}$ " dia. × .650" long	—	—	31
The Torrington Co. Ltd.	Bearing	B.34	2A/9501446	57
Unbrako Socket Screw Co. Ltd.	Screw, 2 BA, type "C" × $\frac{7}{8}$ " long, U/head	—	27G/3160	34, 40
	Screw, 2 BA, type "C" × $1\frac{1}{8}$ " long, U/head	—	27VA/4731	25
	Screw, 2 BA, type "C" × 2" long, U/head	—	27G/2879	60
	Screw, 4 BA, type "C" × $\frac{5}{8}$ " long, U/head	—	27VA/4261	60



This file was downloaded
from the RTFM Library.

Link: www.scottbouch.com/rtfm

Please see site for usage terms,
and more aircraft documents.