

PACKS, REFRIGERATION

AA





TYPE / APPLICABILITY																		
Section AA — PACKS, REFRIGERATION																		
ACCESSORY :-		PACK, REFRIGERATION 513530																
AIRCRAFT	MK	No. OFF	MK	No. OFF	MK	No. OFF	MK	No. OFF	MK	No. OFF	MK	No. OFF	MK	No. OFF	MK	No. OFF	MK	No. OFF
SCIMITAR		1																
PACK, REFRIGERATION 513770																		
SCIMITAR		1																
PACK, REFRIGERATION 516940																		
SCIMITAR		1																



PACKS, REFRIGERATION

Ref. No.	Part No.	Description	No. Off	Matl. Spec.	CL. OF	Plate No.
					ST. M.R. L.M.	
27UA/1247	513530	PACK, REFRIGERATION (R.N.) ... ..	1	—	P	AA 1
		Spares for :—				
27UA/1617	556789	CLAMP, half, pipe attachment to torus inlet ...	4	DTD.646	C	AA 1
	DAS.582/16/2.0	COUPLING, hose pipe attachment to heat exchanger	1	—		AA 1
		DUNLOP (PRE. AMDT. 8BH).				
27UA/1625	DAS.582/16/2.25	COUPLING, hose pipe attachment to heat exchanger	1	—	C	AA 1
		DUNLOP (AMDT. 8BH).				
28E/8183	AGS.1000/1	Clip, hose, "Jubilee" ... ..	2	—	C	
27UA/1554	555457	HEAT, exchanger and plenum, complete ... ..	1	—	P	AA 1
28F/9708	AGS.1104/B	Coupling, pipe ... ..	1	—	C	
28F/9428453	AGS.1186/B	Seal bonded ... ..	1	—	C	
27UA/1616	556149	NAMEPLATE ... ..	1	L.16	C	AA 1
27UA/1533	AN.364/1032	NUT, clamp attachment at torus inlet ... ..	2	—	C	AA 1
27UA/1553	555456	ORIFICE ... ..	1	S.80	C	AA 1
27UA/1525	201266/NA	OUTLET, cooling air, complete (PRE. MOD. 10BH).	1	—	C	AA 1
	202354/NA	OUTLET, cooling air, complete (MOD. 10BH) ...	1	—		AA 1
	555458	PIPE, complete, torus inlet to heat exchanger	1	—		AA 1
		(PRE. MOD. 4BH).				
27UA/1615	557840	PIPE, complete torus inlet to heat exchanger	1	—	C	AA 1
		(MOD. 4BH).				
27UA/1621	5000/185MF	RING, retaining of orifice — TRUARC ... ..	1	—	C	AA 1
27UA/1531	AN.501/1032	SCREW, clamp attachment at torus inlet ... ..	1	—	C	AA 1
27UA/1003	2104/16A	SEAL, connection of pipe at torus inlet ... ..	1	—	C	AA 1
27UA/1527	555104/2	SEAL, 'O' ring, sealing of outlet in plenum chamber.	1	MS.DP2461	C	AA 1
27UA/1246	12/201270	TURBINE, assembly ... ..	1	—	P	AA 1
		Spares for :—				
27UA/1562	555380	ADAPTER, charge air outlet ... ..	1	DTD.364	C	AA 2
27UA/1606	551209/5	CAP, shipping, torus inlet ... ..	1	POL.	C	AA 2
27UA/1609	551209/6	CAP, shipping, turbine inlet ... ..	1	POL.	C	AA 2
27UA/999	17445/369	CLAMP, at attachment of inlet rotating assembly	1	—	C	AA 2
		and torus.				
27UA/1556	202182/NA	INLET, 'Matched Set', supplied in two halves ...	1	DTD.276	C	AA 2
27UA/1613	AN.345/10	NUT, clamp attachment ... ..	1	—	C	AA 2
	1801/40	NUT, inlet attachment ... ..	2	—		AA 2
27UA/1558	S.8057/124/NA	PACKING, 'O' ring at attachment of rotating	1	SILASTIC	C	AA 2
		assembly to torus.				
27UA/1607	551212	PLATE, name and mod. ... ..	1	L.16	C	AA 2
28S/6634	2R-1/8"	Screw ... ..	4	—	C	
27UA/1608	S.8333/1/NA	PLATE, lubricator ... ..	1	L.16	C	AA 2
	559670	ROTATING, assembly (MOD. 7BR) ... ..	1	—		AA 2
27UA/1565	201755/5/NA	ROTATING, assembly (PRE. MOD. 7BR) ...	1	—	P	AA 2
		Spares for :—				
27UA/1589	PS.201619/NA	BEARING, ball ... ..	2	—	C	AA 3
27UA/1583	201283/NA	BOLT, fan attachment to wheel ... ..	3	S.99	C	AA 3
27UA/1599	202242/NA	CARRIER, complete ... ..	1	—	C	AA 3
27UA/1568	201275/NA	FAN (PRE. MOD. 7BR) ... ..	1	L.65	C	AA 3
	202387/NA	FAN (MOD. 7BR) ... ..	1	—		AA 3
	558323	NUT, fan attachment to wheel ... ..	3	—		AA 3

PACKS, REFRIGERATION

Ref. No.	Part No.	Description	No. Off	Matl. Spec.	CL. OF			Plate No.	
					1	2	3		4
27UA/1596	201104/NA	NUT, shaft ... ..	1	—				C	AA 3
27UA/1592	S.8057/115/NA	PACKING, ring ... ..	1	SILASTIC				C	AA 3
27UA/1595	201279/NA	RETAINER, spring ... ..	1	DTD.364				C	AA 3
27UA/1588	201616/NA	RETAINER, oil wick ... ..	2	BS.1630/C				C	AA 3
27UA/1593	NAS.50/102	RING, at spring retainer ... ..	1	—				C	AA 3
27UA/1598	201597/NA	SHAFT, turbine ... ..	1	STEEL				C	AA 3
27UA/1579	201282/1/NA	SHIM, at attachment of shaft to wheel ... ..	AR	BS.407/2				C	AA 3
27UA/1580	201282/2/NA	SHIM, at attachment of shaft to wheel ... ..	AR	DTD.166				C	AA 3
27UA/1581	201282/3/NA	SHIM, at attachment of shaft to wheel ... ..	AR	DTD.166				C	AA 3
27UA/1582	201282/4/NA	SHIM, at attachment of shaft to wheel ... ..	AR	BS.407/2				C	AA 3
27UA/1572	202462/10/NA	SHIM, at attachment of shaft to wheel ... ..	AR	—				C	AA 3
27UA/1573	202462/11/NA	SHIM, at attachment of shaft to wheel ... ..	AR	—				C	AA 3
27UA/1574	202462/12/NA	SHIM, at attachment of shaft to wheel ... ..	AR	—				C	AA 3
27UA/1575	202462/13/NA	SHIM, at attachment of shaft to wheel ... ..	AR	—				C	AA 3
27UA/1576	202462/14/NA	SHIM, at attachment of shaft to wheel ... ..	AR	—				C	AA 3
27UA/1577	202462/15/NA	SHIM, at attachment of shaft to wheel ... ..	AR	—				C	AA 3
27UA/1578	202462/16/NA	SHIM, at attachment of shaft to wheel ... ..	AR	—				C	AA 3
27UA/1570	201599/NA	SLINGER, oil rear bearing ... ..	1	DTD.137				C	AA 3
27UA/1590	201105/NA	SLINGER, oil forward bearing ... ..	1	S.92				C	AA 3
27UA/1569	201277/NA	SPACER, bearing ... ..	1	STEEL				C	AA 3
27UA/1586	201419/NA	SPRING, compression ... ..	1	DTD.215				C	AA 3
27UA/1585	201614/NA	WASHER, oil wick ... ..	6	FELT				C	AA 3
27UA/1571	201285/NA	WASHER, seating of fan attachment bolts ... ..	1	DTD.137				C	AA 3
27UA/1587	201615/NA	WASHER, split, oil wick ... ..	2	FELT				C	AA 3
27UA/1567	201348/1/NA	WHEEL ... ..	1	DTD.364				C	AA 3
27UA/1584	15880/6/NA	WICK, oil ... ..	2	FELT				C	AA 3
	AN.500/AC4/7	SCREW ... ..	2	—					AA 2
27UA/1557	201719/NA	SCREW, attachment of inlet to rotating assembly.	4	S.14				C	AA 2
	0130/3	SEAL, 'O' ring, rotating assembly to carrier ... ..	1	SILASTIC					AA 2
27UA/1611	0130/9	SEAL, 'O' ring, attachment of inlet to carrier ... ..	1	SILASTIC				C	AA 2
27UA/1561	201292/NA	TORUS, complete ... ..	1	—				C	AA 2
	S.8154/160C,025/NA	WASHER, inlet halves attachment ... ..	4	S.84					AA 2
27UA/1532	AN.960/10L	WASHER, pipe attachment to torus inlet ... ..	4	—				C	AA 1
27UA/1526	201273/NA	WASHER, at attachment of outlet to plenum ... ..	1	DTD.187				C	AA 1

## PACKS, REFRIGERATION

Ref. No.	Part No.	Description	No. Off	Matl. Spec.	CL. OF ST.	Plate No.	
					M.R.		
		1 2 3 4 5					
27UA/1191	513770	PACK, REFRIGERATION (R.N.) ... ..	1	—	P	AA 1	
		Spares for:—					
27UA/1617	556789	CLAMP, complete ... ..	4	—	C	AA 1	
	DAS.582/16/2.0	COUPLING, hose pipe attachment to heat exchanger DUNLOP (PRE. MOD. 8BH).	1	—		AA 1	
27UA/1625	DAS.582/16/2.25	COUPLING, hose pipe attachment to heat exchanger DUNLOP (AMDT. 8BH).	1	—	C	AA 1	
	28E/8183	AGS.1000/1	Clip, 'Jubilee' ... ..	2	—	C	AA 1
27UA/1554	555457	HEAT, exchanger and plenum, complete ... ..	1	—	C	AA 1	
	28F/9708	AGS.1104/B	Coupling, pipe ... ..	1	—	C	
28F/9428453	AGS.1186/B	Seal, bonded ... ..	1	—	C		
27UA/1616	556149	NAMEPLATE ... ..	1	L.16	C	AA 1	
27UA/1533	AN.364/1032	NUT, pipe attachment, torus inlet ... ..	2	—	C	AA 1	
27UA/1553	555456	ORIFICE ... ..	1	S.80	C	AA 1	
27UA/1525	201266/NA	OUTLET, cooling air, complete (PRE. MOD. 10BH).	1	—	C	AA 1	
	202354/NA	OUTLET, cooling air, complete (MOD. 10BH) ...	1	—		AA 1	
	555458	PIPE, complete, torus inlet to heat exchanger (PRE. MOD. 4BH).	1	—		AA 1	
27UA/1615	557840	PIPE, complete, torus inlet to heat exchanger (MOD. 4BH).	1	—	C	AA 1	
27UA/1621	5000/185MF	RING, orifice retaining — TRUARC ... ..	1	—	C	AA 1	
27UA/1622	AN.501/1024	SCREW, clamp attachment at torus inlet ... ..	2	—	C	AA 1	
27UA/1003	2104/16A	SEAL, connection of pipe at torus inlet ... ..	1	—	C	AA 1	
27UA/1527	555104/2	SEAL, 'O' ring, sealing of outlet in plenum chamber.	1	MS.DP2461	C	AA 1	
27UA/1005	13/201270	TURBINE, assembly ... ..	1	—	P	AA 1	
		Spares for:—					
27UA/1562	555380	ADAPTER, charge air outlet ... ..	1	DTD.364	C	AA 2	
27UA/1606	551209/5	CAP, shipping, torus inlet ... ..	1	POL.	C	AA 2	
27UA/1609	551209/6	CAP, shipping, turbine inlet ... ..	1	POL.	C	AA 2	
27UA/1252	C.7039	CLAMP, at attachment of inlet, rotating assembly and torus — KING AIRCRAFT.	1	—	C	AA 2	
27UA/1556	202182/NA	INLET, 'Matched Set', supplied in two halves ...	1	DTD.276	C	AA 2	
	1801/40	NUT, inlet attachment ... ..	2	—		AA 2	
27UA/1607	551212	PLATE, name and mod. ... ..	1	L.16	C	AA 2	
	28S/6634	Screw ... ..	4	—	C		
27UA/1608	S.8333/1/NA	PLATE, lubricator ... ..	1	L.16	C	AA 2	
	559671	ROTATING, assembly (MOD. 7BR) ... ..	1	—		AA 2	
27UA/1566	555103	ROTATING, assembly (PRE. MOD. 7BR) ... ..	1	—	P	AA 2	
		Spares for:—					
27UA/1589	PS.201619/NA	BEARING, ball ... ..	2	—	C	AA 3	
27UA/1583	201283/NA	BOLT, fan attachment to wheel ... ..	3	S.99	C	AA 3	
27UA/1599	202242/NA	CARRIER, complete ... ..	1	—	C	AA 3	
27UA/1568	201275/NA	FAN (PRE. MOD. 7BR) ... ..	1	L.65	C	AA 3	
	202387/NA	FAN (MOD. 7BR) ... ..	1	—		AA 3	
	558323	NUT, fan attachment to wheel ... ..	3	—		AA 3	
27UA/1596	201104/NA	NUT, shaft (MOD. 7BR) ... ..	1	—	C	AA 3	
27UA/1595	201279/NA	RETAINER, spring ... ..	1	DTD.364	C	AA 3	
27UA/1588	201616/NA	RETAINER, oil wick ... ..	2	BS.1630/C	C	AA 3	
27UA/1594	5000/102	RING, at spring retainer — TRUARC ... ..	1	—	C	AA 3	
27UA/1591	555104/3	SEAL, 'O' ring ... ..	1	AM13.65/75	C	AA 3	

PACKS, REFRIGERATION

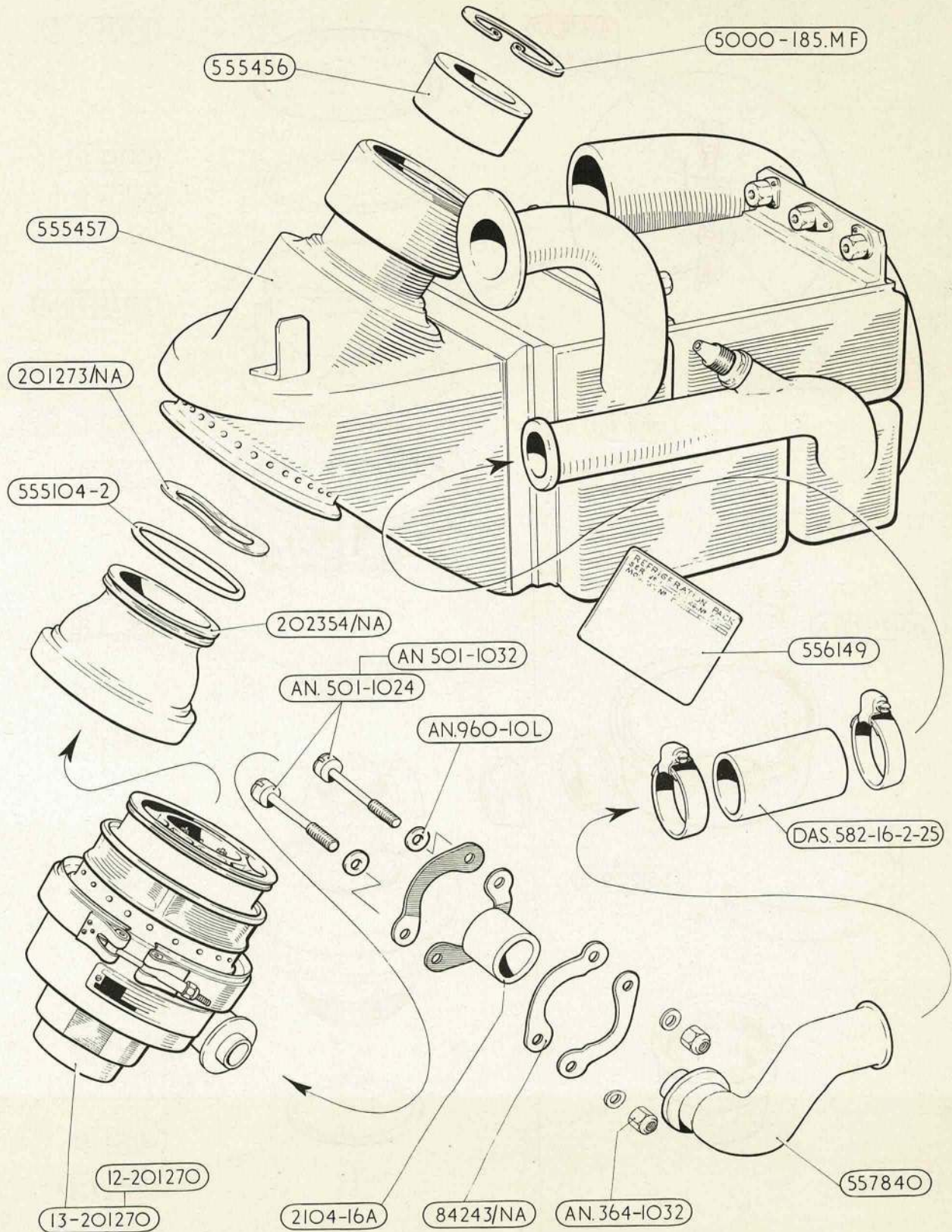
Ref. No.	Part No.	Description	No. Off	Matl. Spec.	CL. OF		Plate No.
					ST.	M.R.	
		1 2 3 4 5				L.M.	
27UA/1598	201597/NA	SHAFT, turbine ... ..	1	STEEL	C		AA 3
27UA/1579	201282/1/NA	SHIM, at attachment of shaft to wheel ... ..	AR	BS.407/2	C		AA 3
27UA/1580	201282/2/NA	SHIM, at attachment of shaft to wheel ... ..	AR	DTD.166	C		AA 3
27UA/1581	201282/3/NA	SHIM, at attachment of shaft to wheel ... ..	AR	DTD.166	C		AA 3
27UA/1582	201282/4/NA	SHIM, at attachment of shaft to wheel ... ..	AR	BS.407/2	C		AA 3
27UA/1572	202462/10/NA	SHIM, at attachment of shaft to wheel ... ..	AR	—	C		AA 3
27UA/1573	202462/11/NA	SHIM, at attachment of shaft to wheel ... ..	AR	—	C		AA 3
27UA/1574	202462/12/NA	SHIM, at attachment of shaft to wheel ... ..	AR	—	C		AA 3
27UA/1575	202462/13/NA	SHIM, at attachment of shaft to wheel ... ..	AR	—	C		AA 3
27UA/1576	202462/14/NA	SHIM, at attachment of shaft to wheel ... ..	AR	—	C		AA 3
27UA/1577	202462/15/NA	SHIM, at attachment of shaft to wheel ... ..	AR	—	C		AA 3
27UA/1578	202462/16/NA	SHIM, at attachment of shaft to wheel ... ..	AR	—	C		AA 3
27UA/1570	201599/NA	SLINGER, oil rear bearing ... ..	1	DTD.137	C		AA 3
27UA/1590	201105/NA	SLINGER, oil forward bearing ... ..	1	S.92	C		AA 3
27UA/1569	201277/NA	SPACER, bearing ... ..	1	STEEL	C		AA 3
27UA/1586	201419/NA	SPRING, compression ... ..	1	DTD.215	C		AA 3
27UA/1585	201614/NA	WASHER, oil wick ... ..	6	FELT	C		AA 3
27UA/1571	201285/NA	WASHER, seating of fan attachment bolts ... ..	1	DTD.137	C		AA 3
27UA/1587	201615/NA	WASHER, split, oil wick ... ..	2	FELT	C		AA 3
27UA/1567	201348/1/NA	WHEEL ... ..	1	DTD.364	C		AA 3
27UA/1584	15880/6/NA	WICK, oil ... ..	2	FELT	C		AA 3
	AN.500/AC4/7	SCREW, inlet attachment ... ..	2	—			AA 2
27UA/1557	201719/NA	SCREW, attachment of inlet to rotating assembly.	4	S.14	C		AA 2
27UA/1559	555104/1	SEAL, 'O' ring, at attachment of rotating assembly to torus.	1	AM13.65/75	C		AA 2
27UA/1527	555104/2	SEAL, 'O' ring, rotating assembly to carrier ... ..	1	MS.DP2461	C		AA 2
27UA/1610	555104/10	SEAL, 'O' ring, inlet ... ..	1	MS.DP2461	C		AA 2
27UA/1561	201292/NA	TORUS, complete ... ..	1	—	C		AA 2
	S.8154/160C/025/NA	WASHER, inlet halves attachment ... ..	4	S.84			AA 2
27UA/1532	AN.960/10L	WASHER, pipe attachment at torus inlet ... ..	4	—	C		AA 1
27UA/1526	201273/NA	WASHER, at attachment of inlet to plenum ... ..	1	DTD.187	C		AA 1

## PACKS, REFRIGERATION

Ref. No.	Part No.	Description	No. Off	Matl. Spec.	CL. OF ST.		Plate No.
					M.R.	L.M.	
27UA/1417	516940	<b>PACK, REFRIGERATION (R.N.)</b> ... ..	1	—	P		AA 4
		Spares for :—					
27UA/1617	556789	<b>CLAMP</b> , half, complete ... ..	4	—	C		AA 4
27UA/1625	DAS.582/16/2.25	<b>COUPLING</b> , hose — <b>DUNLOP</b> ... ..	1	—	C		AA 4
28E/8183	AGS.1000/1	Clip, hose, 'Jubilee' ... ..	1	—	C		
27UA/1555	517530	<b>HEAT EXCHANGER AND PLENUM</b> , complete ...	1	—	P		AA 4
27UA/1616	556149	<b>NAMEPLATE</b> ... ..	1	L.16	C		AA 4
	OP.13098	<b>NAMEPLATE</b> ... ..	1	—			AA 4
27UA/1533	AN.364/1032	<b>NUT</b> ... ..	2	—	C		AA 4
	202354/NA	<b>OUTLET</b> , cooling air, complete ( <b>MOD. 10BH</b> ) ...	1	—			AA 4
27UA/1525	201266/NA	<b>OUTLET</b> , cooling air, complete ( <b>PRE. MOD. 10BH</b> ).	1	—	C		
27UA/1615	557840	<b>PIPE</b> , complete torus inlet to heat exchanger ...	1	—	C		AA 4
27UA/1527	555104/2	<b>RING</b> , 'O', sealing ... ..	1	MS.240	C		AA 4
27UA/1531	AN.501/1032	<b>SCREW</b> , clamp attachment at torus inlet ... ..	2	—	C		AA 4
27UA/1003	2104/16A	<b>SEAL</b> , connection of pipe at torus inlet ... ..	1	—	C		AA 4
27UA/1418	19/201270/NA	<b>TURBINE</b> , assembly ... ..	1	—	P		AA 4
		Spares for :—					
27UA/1564	557793	<b>ADAPTER</b> ... ..	1	L.65	C		AA 5
	551209/6	<b>CAP</b> , shipping turbine inlet ... ..	1	POL.			AA 5
27UA/1252	C.7039	<b>CLAMP — KING AIRCRAFT</b> ... ..	1	—	C		AA 5
27UA/1556	202182/NA	<b>INLET</b> , 'Matched Set' ... ..	1	DTD.276	C		AA 5
28M/10337	AGS.2002/A2	Nut ... ..	2	—	C		
27UA/1607	551212	<b>PLATE</b> , name and mod. ... ..	1	L.16	C		AA 5
28S/6634	2R-1/8"	Screw ... ..	4	—	C		
27UA/1608	S8333/1/NA	<b>PLATE</b> , lubrication ... ..	1	L.16	C		AA 5
	559671	<b>ROTATING</b> , assembly ( <b>MOD. 7BR</b> ) ... ..	1	—			AA 5
27UA/1566	555103	<b>ROTATING</b> , assembly ( <b>PRE. MOD. 7BR</b> ) ... ..	1	—	P		
		Spares for :—					
27UA/1589	PS.201619/NA	<b>BEARING</b> , ball ... ..	2	—	C		AA 6
27UA/1583	201283/NA	<b>BOLT</b> , fan attachment to wheel ... ..	3	—	C		AA 6
27UA/1599	202242/NA	<b>CARRIER</b> , complete ... ..	1	—	C		AA 6
	202387/NA	<b>FAN (MOD. 7BR)</b> ... ..	1	—			AA 6
27UA/1568	201275/NA	<b>FAN (PRE. MOD. 7BR)</b> ... ..	1	L.65	C		
	558323	<b>NUT</b> , fan attachment to wheel ... ..	3	—			AA 6
27UA/1597	555105	<b>NUT</b> , shaft ( <b>PRE. MOD. 9BR</b> ) ... ..	1	—	C		
27UA/1596	201104/NA	<b>NUT</b> , shaft ( <b>MODS. 9BR — 7BR</b> ) ... ..	1	—	C		AA 6
27UA/1595	201279/NA	<b>RETAINER</b> , spring ... ..	1	DTD.364	C		AA 6
27UA/1588	201616/NA	<b>RETAINER</b> , oil wick ... ..	2	BS.1630/C	C		AA 6
27UA/1594	5000/102	<b>RING</b> , at spring retainer — <b>TRUARC</b> ... ..	1	—	C		AA 6
27UA/1591	555104/3	<b>SEAL</b> , 'O' ring ... ..	1	AM13.65/75	C		AA 6
27UA/1598	201597/NA	<b>SHAFT</b> , turbine ... ..	1	STEEL	C		AA 6

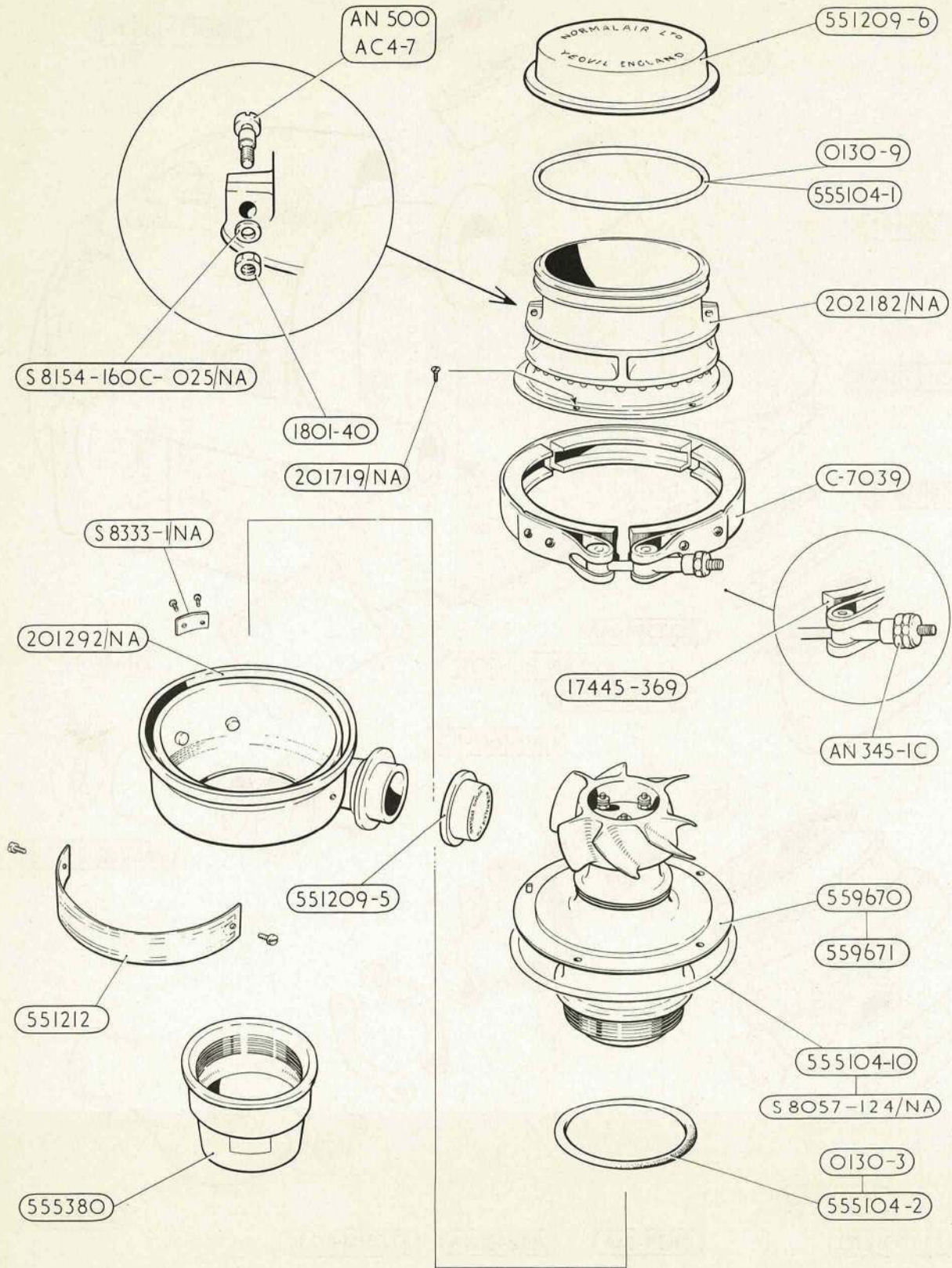
PACKS, REFRIGERATION

Ref. No.	Part No.	Description	No. Off	Matl. Spec.	CL. OF ST.			Plate No.
					1	2	3	
27UA/1579	201282/1/NA	SHIM, at attachment of shaft to wheel ...	AR	BS.407/2	C			AA 3
27UA/1580	201282/2/NA	SHIM, at attachment of shaft to wheel ...	AR	DTD.166	C			AA 3
27UA/1581	201282/3/NA	SHIM, at attachment of shaft to wheel ...	AR	DTD.166	C			AA 3
27UA/1582	201282/4/NA	SHIM, at attachment of shaft to wheel ...	AR	BS.407/2	C			AA 3
27UA/1572	202462/10/NA	SHIM, at attachment of shaft to wheel ...	AR	—	C			AA 3
27UA/1573	202462/11/NA	SHIM, at attachment of shaft to wheel ...	AR	—	C			AA 3
27UA/1574	202462/12/NA	SHIM, at attachment of shaft to wheel ...	AR	—	C			AA 3
27UA/1575	202462/13/NA	SHIM, at attachment of shaft to wheel ...	AR	—	C			AA 3
27UA/1576	202462/14/NA	SHIM, at attachment of shaft to wheel ...	AR	—	C			AA 3
27UA/1577	202462/15/NA	SHIM, at attachment of shaft to wheel ...	AR	—	C			AA 3
27UA/1578	202462/16/NA	SHIM, at attachment of shaft to wheel ...	AR	—	C			AA 3
27UA/1570	201599/NA	SLINGER, oil ...	1	DTD.137	C			AA 6
27UA/1590	201105/NA	SLINGER, oil ...	1	S.92	C			AA 6
27UA/1569	201277/NA	SPACER, bearing ...	1	STEEL	C			AA 6
27UA/1586	201419/NA	SPRING, compression ...	1	DTD.215	C			AA 6
27UA/1585	201614/NA	WASHER, oil wick ...	6	FELT	C			AA 6
27UA/1571	201285/NA	WASHER, at fan attachment bolts ...	1	DTD.137	C			AA 6
27UA/1587	201615/NA	WASHER, split, oil wick ...	2	FELT	C			AA 6
27UA/1567	201348/NA	WHEEL ...	1	DTD.134	C			AA 6
27UA/1584	15880/6/NA	WICK, oil ...	2	FELT	C			AA 6
27UA/1614	555460	SCREW, inlet attachment ...	2	S.80	C			AA 5
27UA/1557	201719/NA	SCREW, attachment of inlet to rotating assembly.	4	S.14	C			AA 5
27UA/1559	555104/1	SEAL, 'O' ring attachment of rotating assembly to torus.	1	AM.13.65/75	C			AA 5
27UA/1527	555104/2	SEAL, 'O' ring, rotating assembly to carrier ...	1	MS.240	C			AA 5
27UA/1610	555104/10	SEAL, 'O' ring, inlet ...	1	MS.240	C			AA 5
	201292/NA	TORUS, complete ...	1	—				AA 5
28W/15318	SP11/A	Washer, inlet halves attachment ...	4	—	C			
27UA/1526	201273/NA	WASHER, at attachment of inlet to plenum ...	1	DTD.187	C			AA 4
27UA/1532	AN.960/10L	WASHER, pipe attachment at torus inlet ...	4	—	C			AA 4



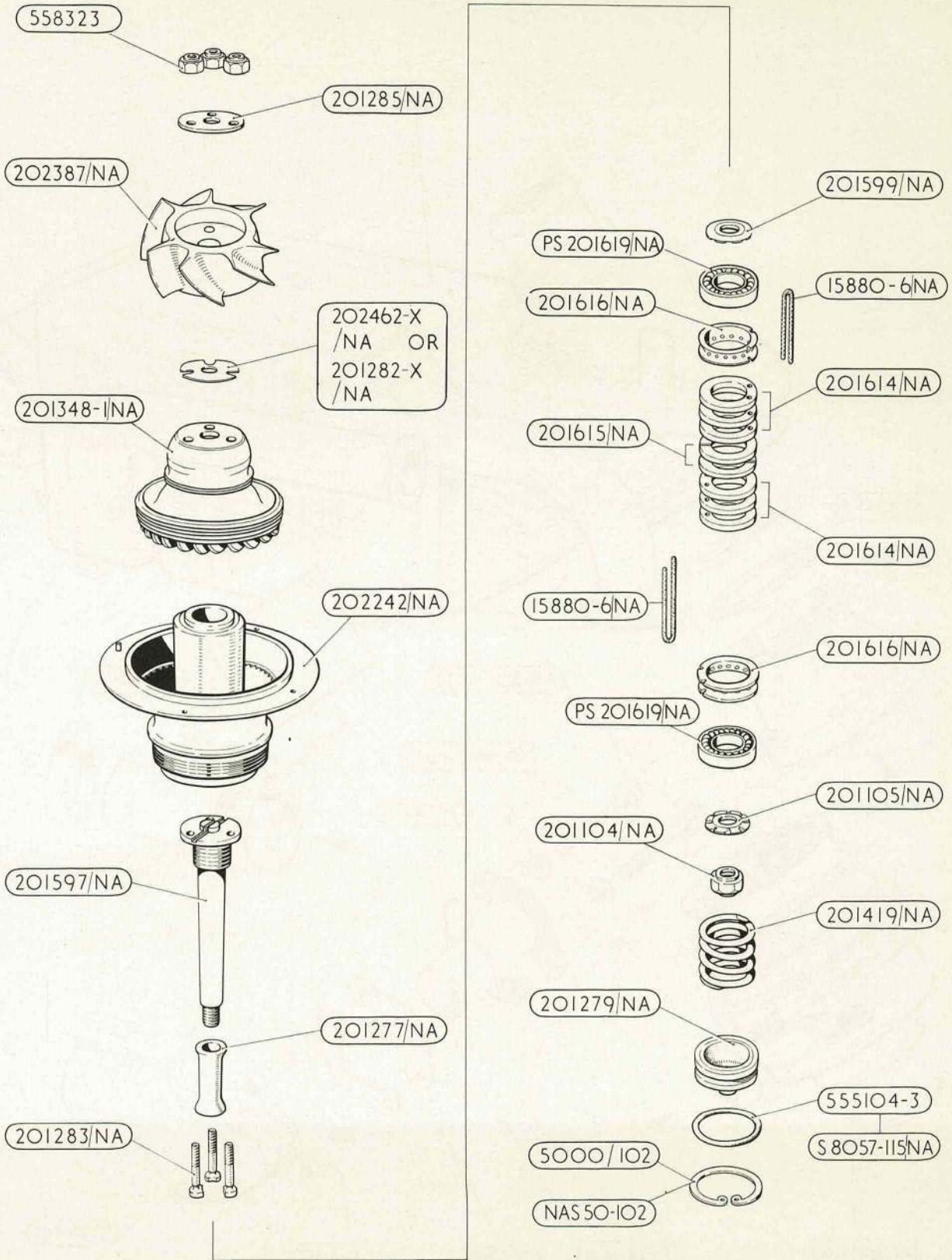
REFRIGERATION PACK

PLATE AA2



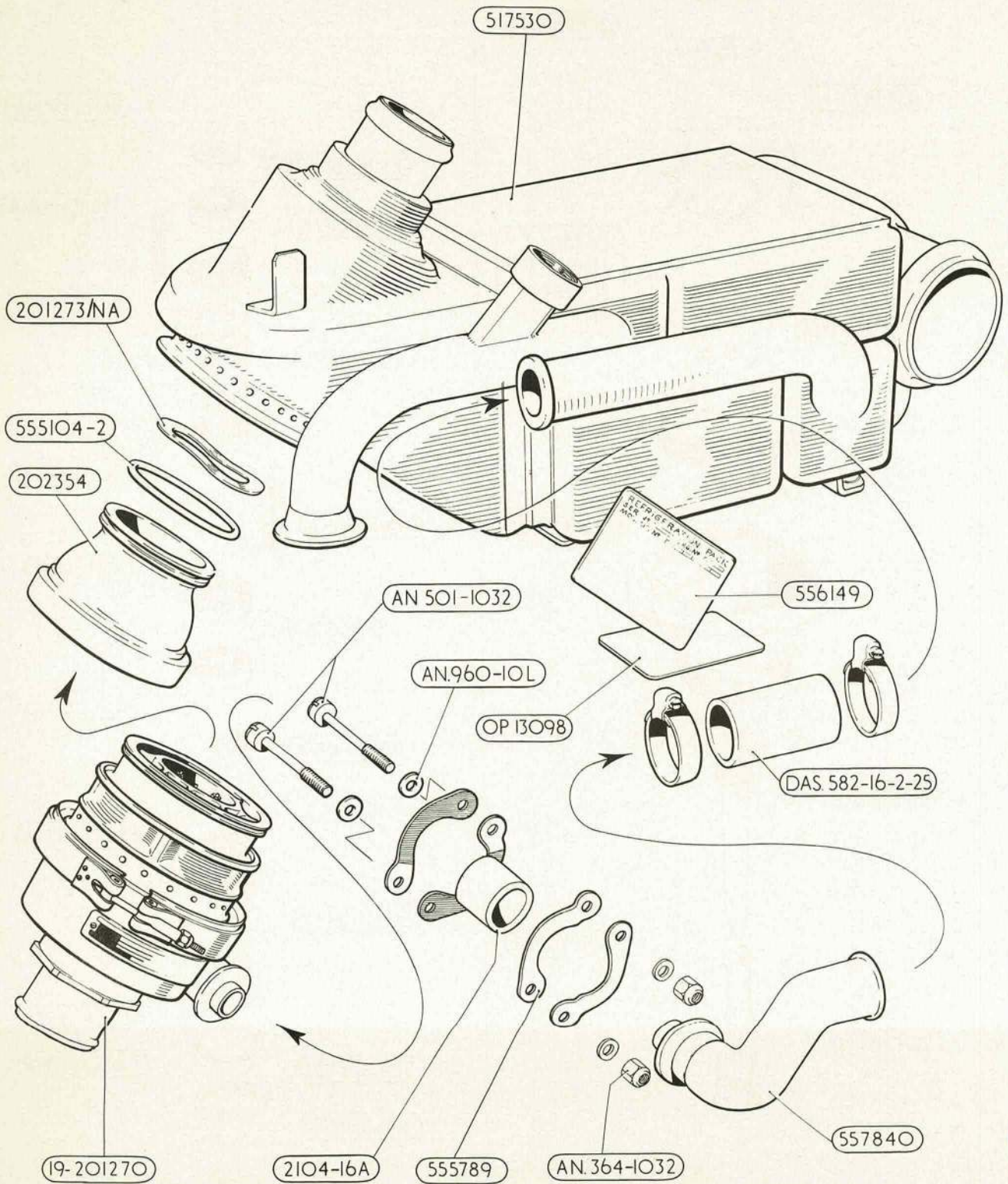
TURBINE ASSEMBLY

PLATE AA 3



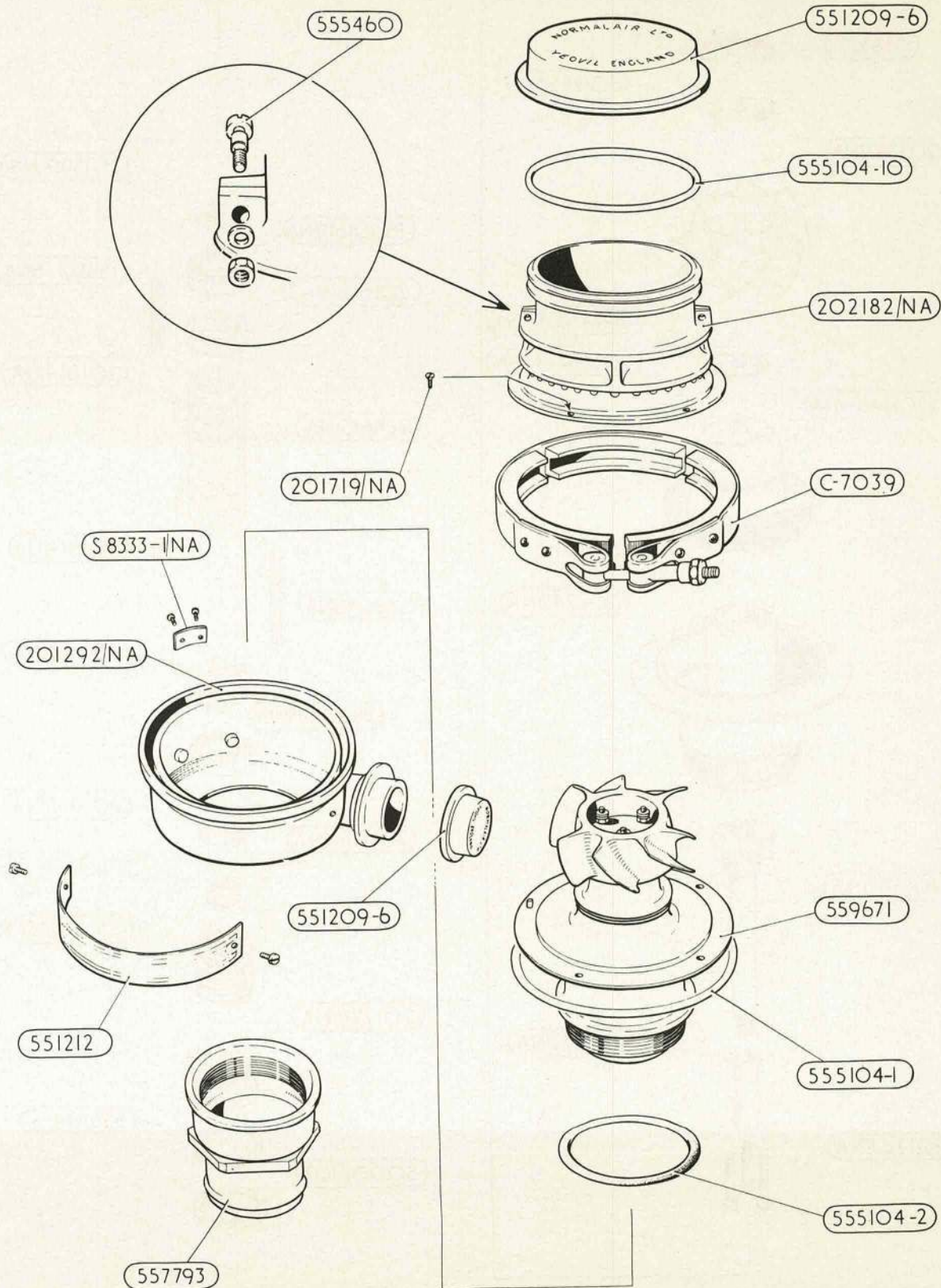
ROTATING ASSEMBLY.

PLATE AA4



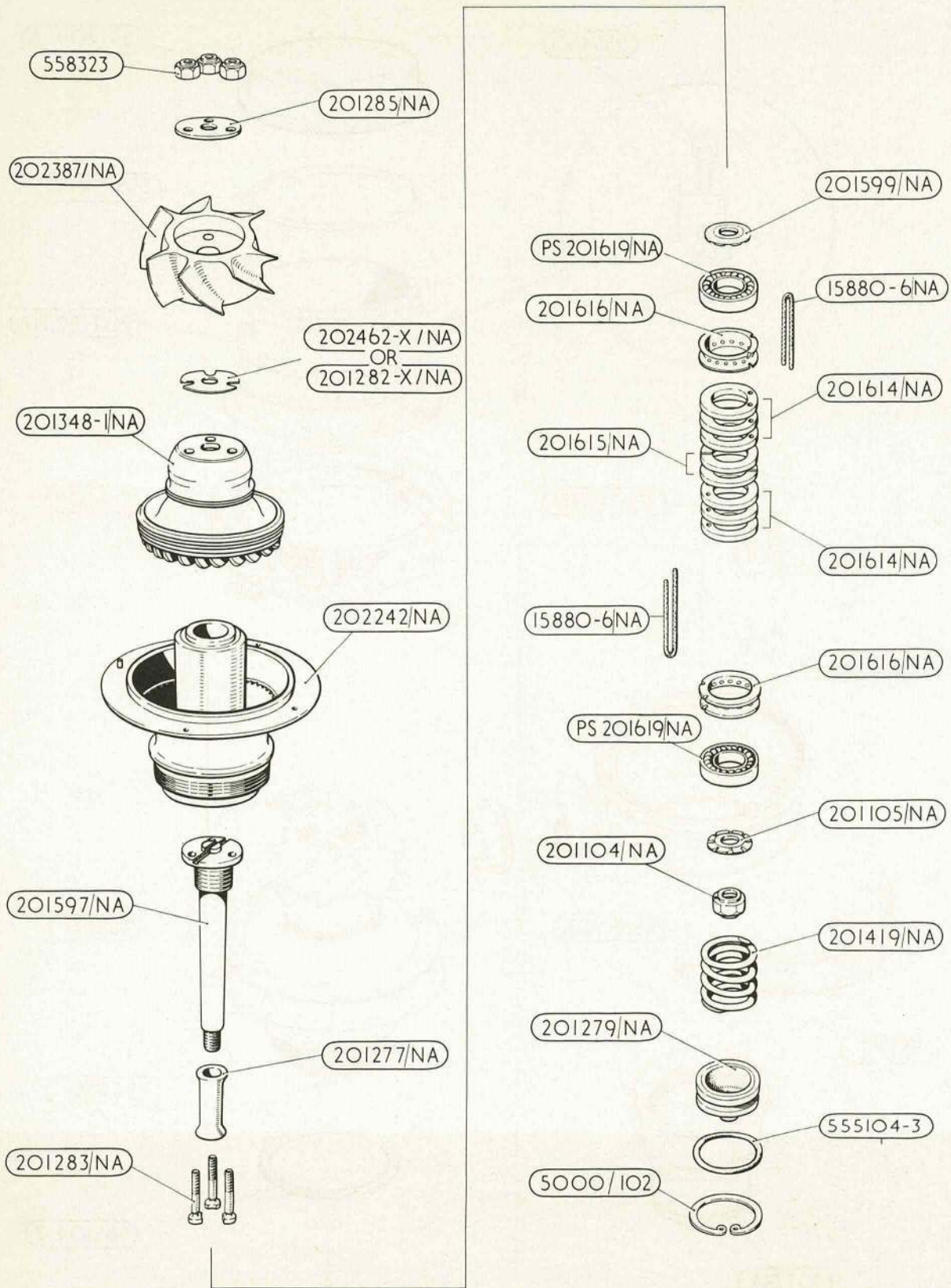
REFRIGERATION PACK

PLATE AA5



TURBINE ASSEMBLY

PLATE AA6



ROTATING ASSEMBLY.

This file was downloaded  
from the RTFM Library.  
Link: [www.scottbouch.com/rtfm](http://www.scottbouch.com/rtfm)  
Please see site for usage terms,  
and more aircraft documents.

