

CONNECTIONS,
GROUND PRESSURING

TYPE / APPLICABILITY																
Section B — CONNECTIONS, GROUND PRESSURISING																
ACCESSORY :- CONNECTION, GROUND PRESSURISING 502330 (PRE. VALIANT MOD. 2135)																
AIRCRAFT	MK	No. OFF	MK	No. OFF	MK	No. OFF	MK	No. OFF	MK	No. OFF	MK	No. OFF	MK	No. OFF	MK	No. OFF
VALIANT		1														
CONNECTION, GROUND PRESSURISING 504600																
CANBERRA	2	1	3	1	4	1	6	1	7	1	8	1				
HUNTER	1	1	2	1	4	1	5	1	6	1						
JAVELIN	1	1	2	1	3	1	4	1	5	1						
VICTOR	1	1														
VULCAN	1	1														
CONNECTION, GROUND PRESSURISING 506250																
SEAHAWK		1														
CONNECTION, GROUND PRESSURISING 505560																
JAVELIN	5	1	6	1	7	1	8	1								
SWIFT	5	1	7	1												
SCIMITAR		1														
SEA VIXEN		1														
LIGHTNING		1														

TYPE / APPLICABILITY

Section B — CONNECTIONS, GROUND PRESSURISING

ACCESSORY :- CONNECTION, GROUND PRESSURISING 505570

AIRCRAFT	MK	No. OFF	MK	No. OFF	MK	No. OFF	MK	No. OFF	MK	No. OFF	MK	No. OFF	MK	No. OFF	MK	No. OFF
VICTOR	2	1														
VULCAN	1	1	2	1												

CONNECTION, GROUND PRESSURISING 502490

COMET	2	1														
BRITANNIA		1														

CONNECTION, GROUND PRESSURISING 505160 (VALIANT MOD. 2135)

VALIANT		1														
---------	--	---	--	--	--	--	--	--	--	--	--	--	--	--	--	--

--	--	--	--	--	--	--	--	--	--	--	--	--	--	--	--	--

CONNECTIONS, GROUND PRESSURISING

Ref. No.	Part No.	Description	No. Off	Matl. Spec.	CL. OF			Plate No.
					ST.	M.R.	L.M.	
		1 2 3 4 5						
33	502330	CONNECTION, GROUND PRESSURISING 3" ...	1	—	A		B 1	
		Spares for:—						
363	502332	BODY	1	L.1	B		B 1	
366	502333	CAP	1	L.1	C		B 1	
	500379	NAMEPLATE	1	L.4			B 1	
28S/6634	2R 1/8	Screw	3	—	C			
365	500078	SPRING	1	DTD.215	C		B 1	
364	502334	VALVE	1	L.40	C		B 1	

CONNECTIONS, GROUND PRESSURISING

Ref. No.	Part No.	Description	No. Off	Matl. Spec.	CL. OF			Plate No.
					1	2	3	
10	504600	CONNECTION, GROUND PRESSURISING 1½" ...	1	—	A			B 2
		Spares for:—						
367	502106	BODY	1	2L.42	B			B 2
370	502106	CAP	1	2L.42	C			B 2
45	506713	CAP, blanking assembly	1	—	B			B 2
		Spares for:—						
	502058	BOLT, anchor	1	S.1				B 3
	555234	CABLE, complete (AMDT. 99)	1	—				B 3
28L/754	A16Y/BT	Nut, lock	1	—	C			
371	506431	WASHER, special	1	SIL.	C			B 3
529	500715	NAMEPLATE (R.N.)	1	L.4	C			B 2
28S/6634	2R 1/8	Screw	3	—	C			
369	504605	SPRING	1	DTD.215	C			B 2
368	504604	VALVE	1	2L.42	C			B 2

CONNECTIONS, GROUND PRESSURISING

Ref. No.	Part No.	Description					No. Off	Matl. Spec.	CL. OF		Plate No.
		1	2	3	4	5			ST.	M.R.	
511	506250	CONNECTION, GROUND PRESSURISING 1½" (R.N.)					1	—	A	B 4	
		Spares for :—									
367	502106	BODY	1	2L.42	B	B 4	
370	502108	CAP	1	2L.42	C	B 4	
529	500715	NAMEPLATE	1	L.4	C	B 4	
28S/6470	2R 3/16	Screw	3	—	C		
369	504605	SPRING	1	DTD.215	C	B 4	
368	504604	VALVE	1	2L.42	C	B 4	

CONNECTIONS, GROUND PRESSURISING

Ref. No.	Part No.	Description					No. Off	Matl. Spec.	CL. OF ST.		Plate No.
		1	2	3	4	5			M.R.	L.M.	
614	505560	CONNECTION, GROUND PRESSURISING, 7/8" ...					1	—	A		B 5
		Spares for :—									
	505565	BODY, assembly					1	—			B 5
		Spares for :—									
	508760	SECTION, hinge					1	L.4			B 3
	508761	SECTION, hinge					1	L.4			B 3
28Q/9013	AS.162/205	Rivet					4	—	C		
700	505394	CAP assembly					1	—	B		B 5
		Spares for :—									
1073	555234	CABLE, complete (AMDT. 3AN) (R.N.) ...					1	—	C		B 3
1072	505738	SEAL (R.N.)					1	RUBBER	C		B 3
28D/12528	A25/1B	Bolt					1	—	C		
28M/13086	A27/BP	Nut					1	—	C		
28W/14456	SP11/B	Washer					1	—	C		
701	508771	FLAP, hinge assembly					1	—	B		B 5
		Spares for :—									
1071	508763	RING, sealing (R.N.)					1	RUBBER	C		B 3
702	505733	SPRING					1	DTD.189	C		B 5
1070	505739	TUBE, distance (R.N.)					1	S.1	C		B 5
1069	505736	WASHER (R.N.)					2	S.3	C		B 5
28P/9429528	SP9/C8	Pin, split					1	—	C		

CONNECTIONS, GROUND PRESSURISING

Ref. No.	Part No.	Description					No. Off	Matl. Spec.	CL. OF ST.		Plate No.
		1	2	3	4	5			M.R.	L.M.	
623	505570	CONNECTION, GROUND PRESSURISING 1 13/16"					1	—	A		B 6
		Spares for:—									
	505575	BODY, assembly					1	—			B 6
		Spares for:—									
	505578	SECTION, hinge					1	L.64			B 7
	505579	SECTION, hinge					1	L.64			B 7
28Q/7848	AS.162/305	Rivet					4	—	C		
723	505395	CAP, assembly					1	—	B		B 6
		Spares for:—									
	555944	CABLE, complete (AMDT. 2BB)					1	—			B 7
724	505731	SEAL					1	RUBBER	C		B 7
28D/12528	A25/1B	Bolt					1	—	C		
28L/13140	A27/BT	Nut					1	—	C		
28W/14456	SP11/B	Washer					1	—	C		
	508769	FLAP, hinge assembly					1	—			B 6
		Spares for:—									
726	508773	RING, sealing					1	RUBBER	C		B 7
725	505727	SPRING, complete					1	—	C		B 6
	505974	TUBE, distance					1	S.1			B 6
	505789	WASHER					2	S.3			B 6
28P/12793	SP9/E12	Pin, split					1	—	C		
28W/14456	SP11/B	Washer (AMDT. 3BB)					1	—	C		

CONNECTIONS, GROUND PRESSURISING

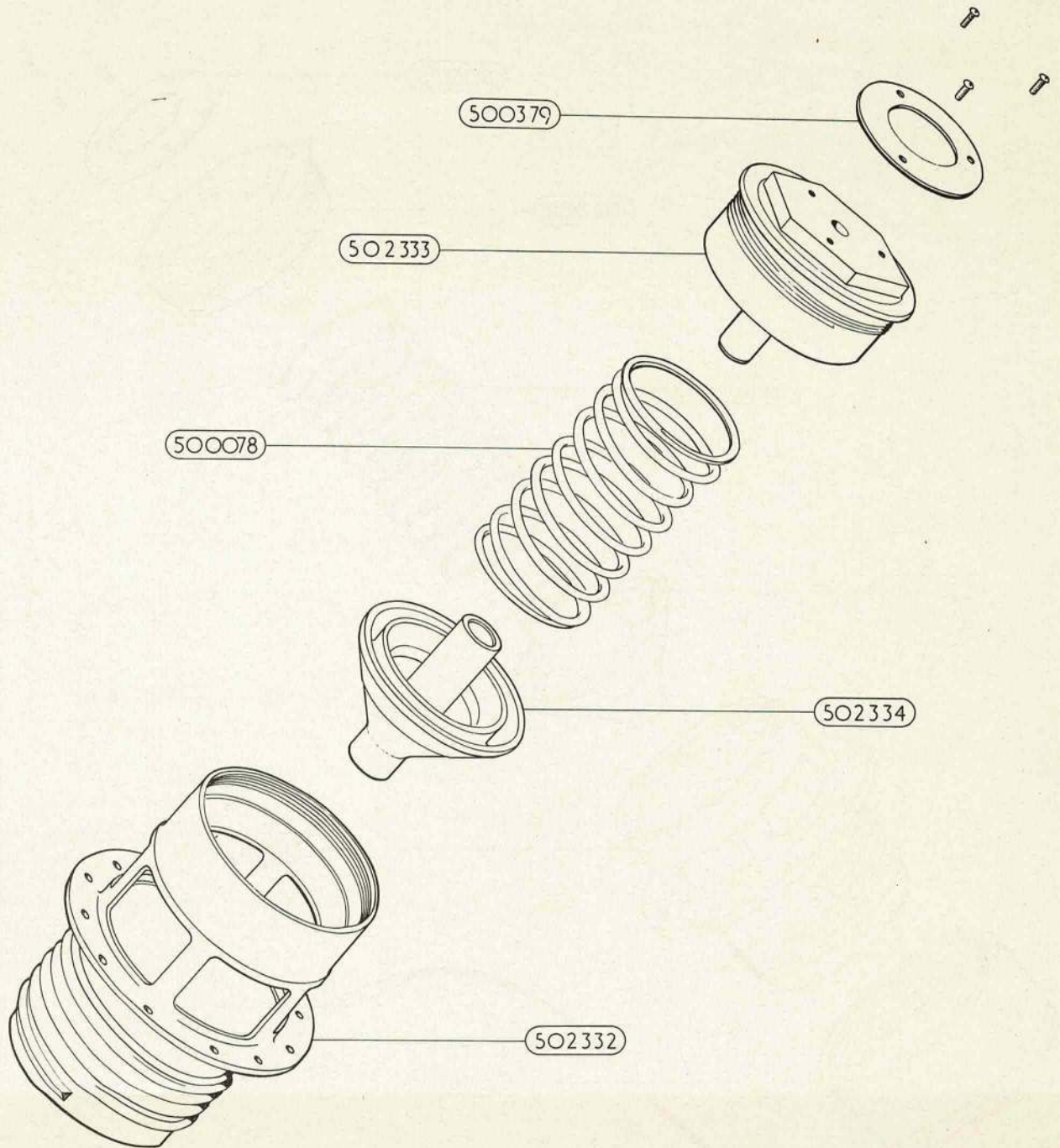
Ref. No.	Part No.	Description	No. Off	Matl. Spec.	CL. OF			Plate No.
					1	2	3	
647	502490	CONNECTION, GROUND PRESSURISING 3", TYPE 3, COMPLETE. Spares for :—	1	—			A	
	502666	BODY	1	L.1			C	B 8
	502058	BOLT, anchor	1	S.1			C	B 8
863	502665	CAP, protection	1	L.45			C	B 8
699	502667	SEAL	1	SILASTIC			C	B 8
28L/754	A16Y/BT	Locknut	1	—			C	
	AS.1345/20	Cable, complete with swaged end	1	—				

CONNECTIONS, GROUND PRESSURISING

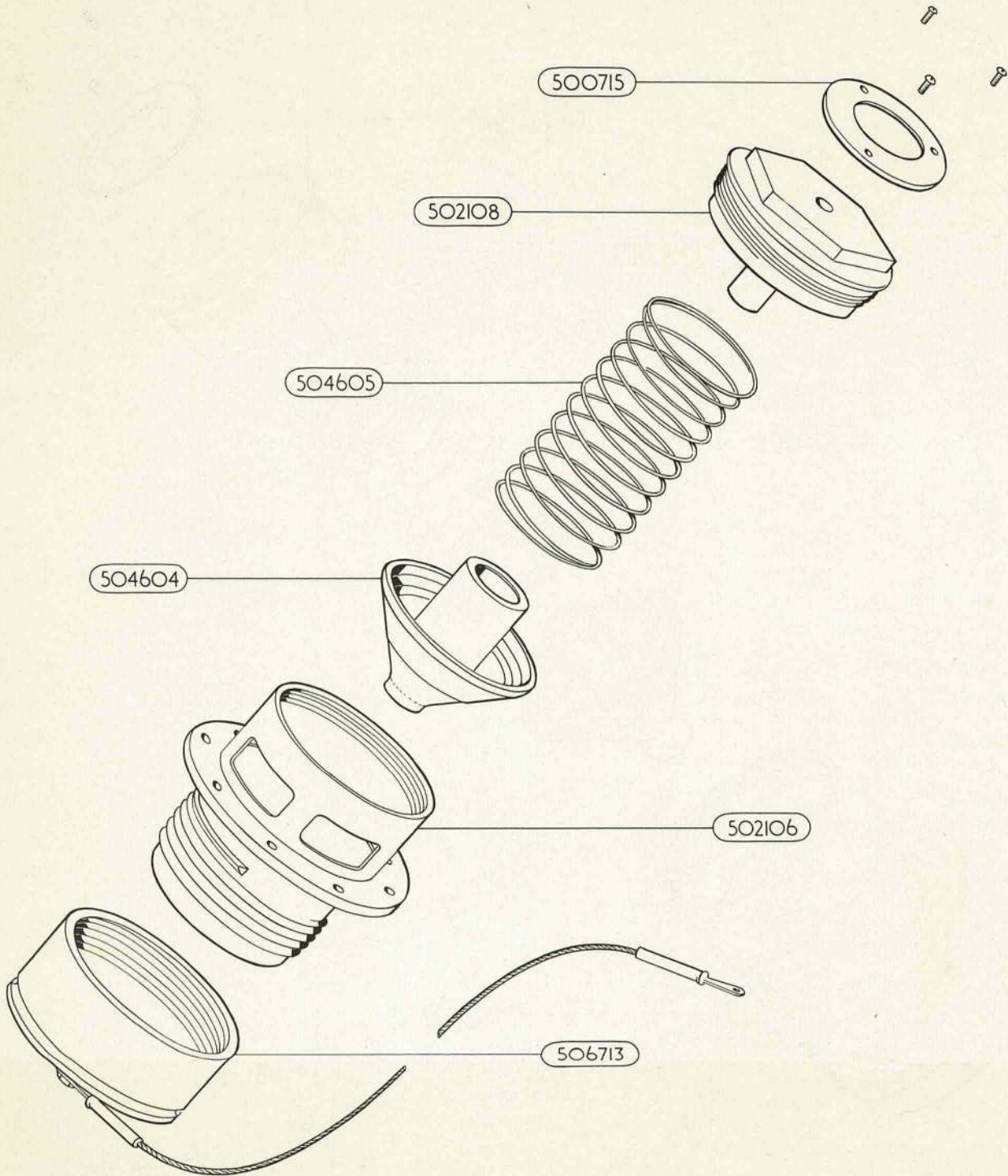
Ref. No.	Part No.	Description	No. Off	Matl. Spec.	CL. OF			Plate No.
					1	2	3	
997	505160	CONNECTION, GROUND PRESSURISING (VALIANT MOD. 2135).	1	—	A			B 9
		Spares for :—						
	550885	BODY, assembly	1	—				B 9
		Spares for :—						
	550880	BODY	1	L.A.				B 10
	550881	FLAP, hinge	1	L.42				B 10
	551703	HINGE, centre	1	L.42				B 10
28Q/5974	AS.161/306	Rivet	3	—	C			
	505799	PIN, hinge	1	DTD.161				B 10
28W/14456	SP11/B	Washer	1	—	C			
28P/13625	SP9/A3	Pin, split	2	—	C			
	550882	SECTION, hinge	1	L.42				B 10
	550883	SECTION, hinge	1	L.42				B 10
28Q/5974	AS.161/306	Rivet	4	—	C			
	555899	SPRING, complete	1	—				B 10
	505699	WASHER	2	DTD.171				B 10
	502058	BOLT	1	S.1				B 9
	SP/54/0569/20	Cable	1	—				
28M/13140	A27/BT	Nut	1	—	C			
863	502665	CAP	1	L.45	C			B 9
998	551505	WASHER, sealing	1	—	C			B 9

CONFIDENTIAL - SECURITY INFORMATION

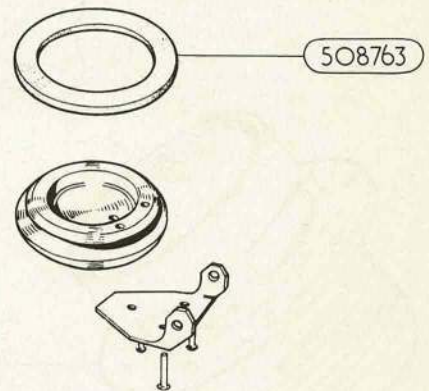
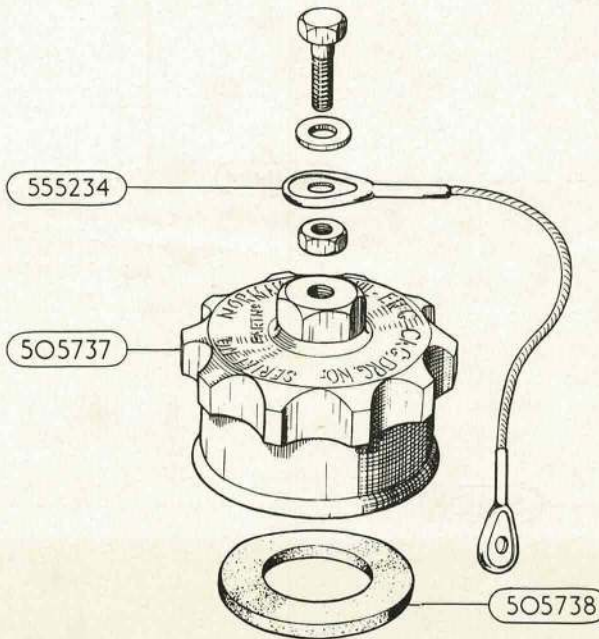
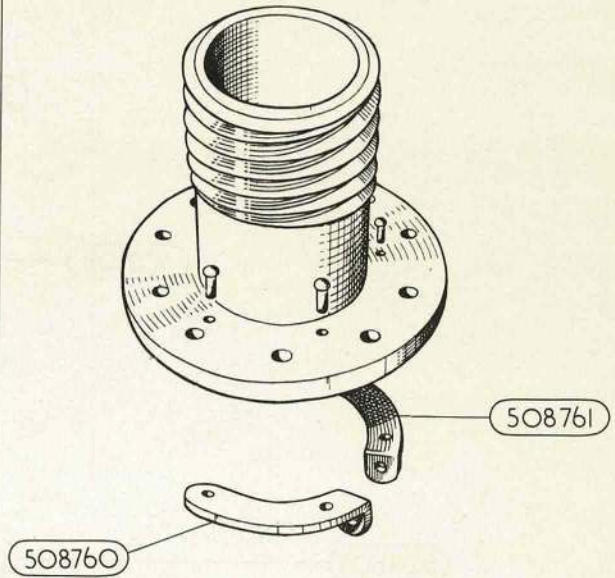
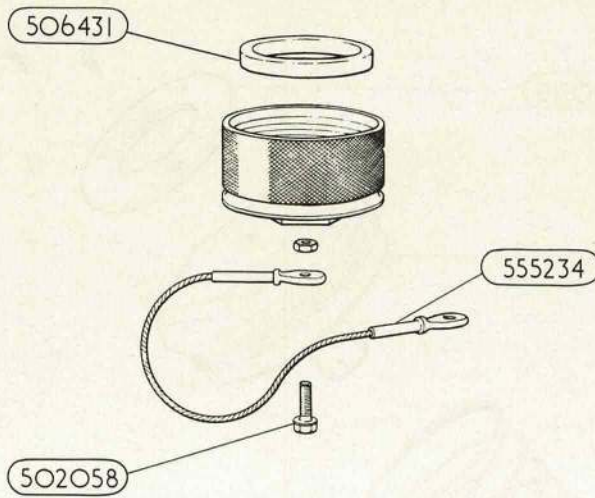
Ref. No.	Part No.	Description					No. Off	Matl. Spec.	CL. OF	Plate No.
		1	2	3	4	5			ST. M.R. L.M.	



CONNECTION, GROUND PRESSURISING

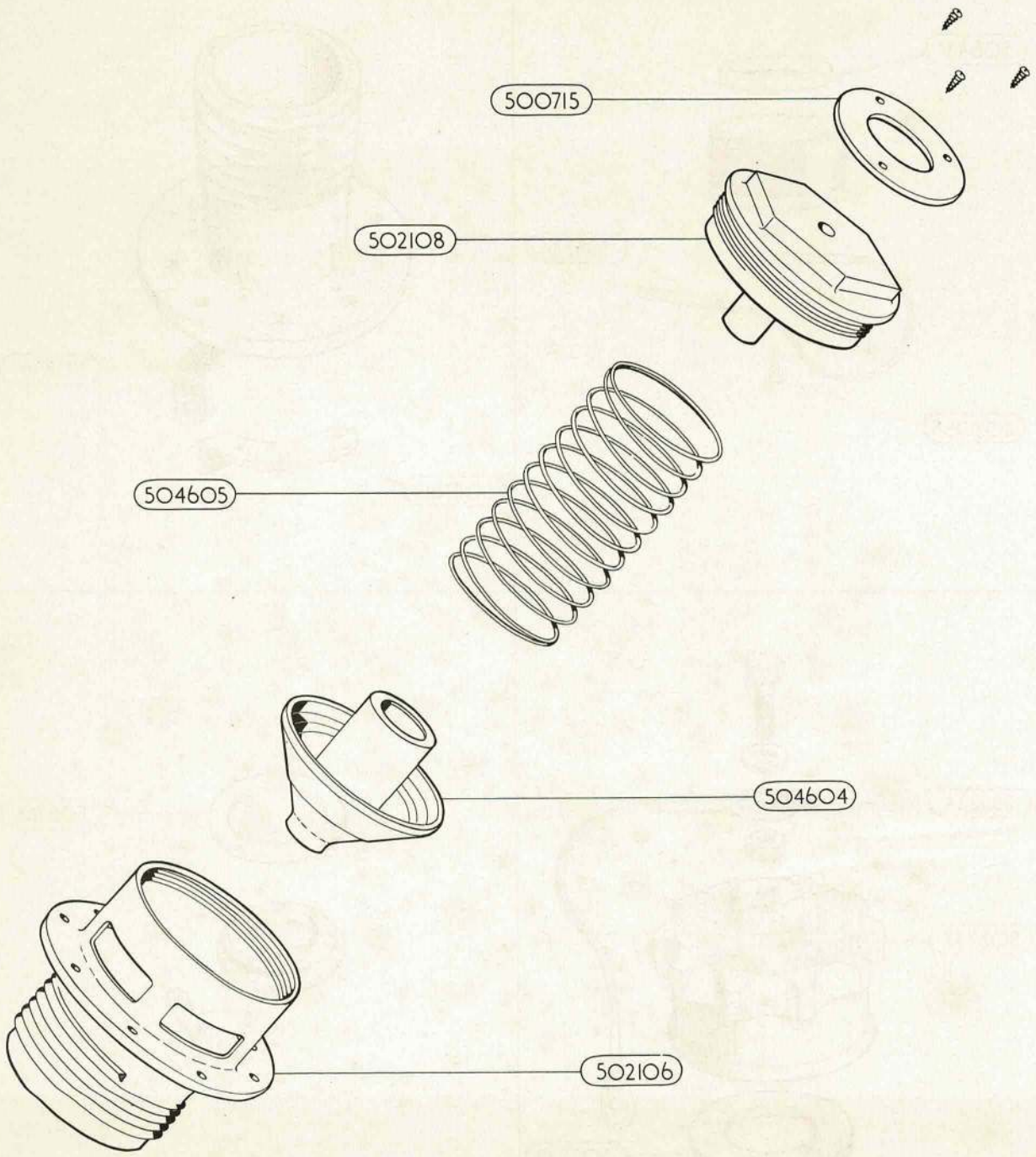


CONNECTION, GROUND PRESSURISING

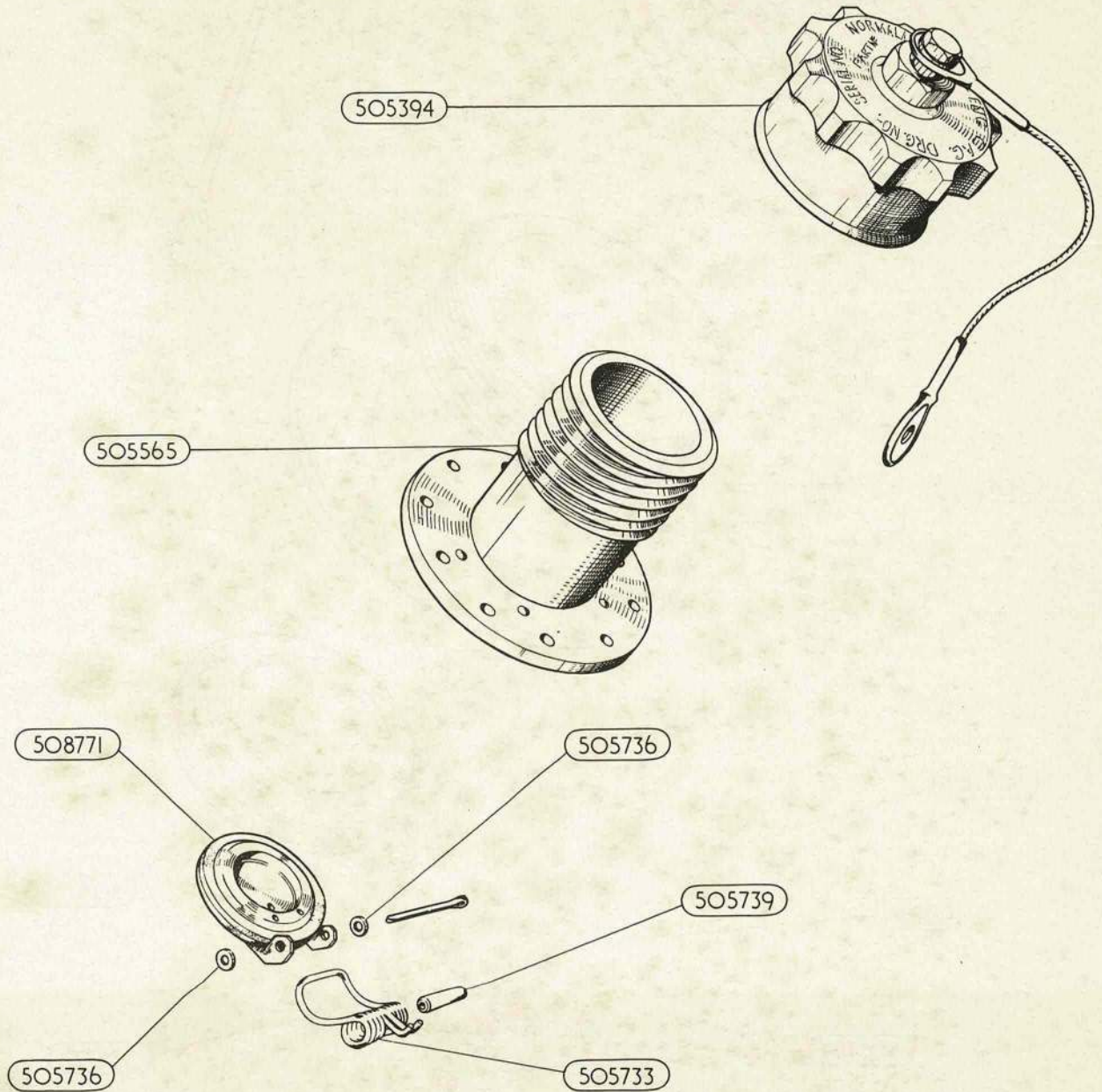


ASSEMBLIES VARIOUS

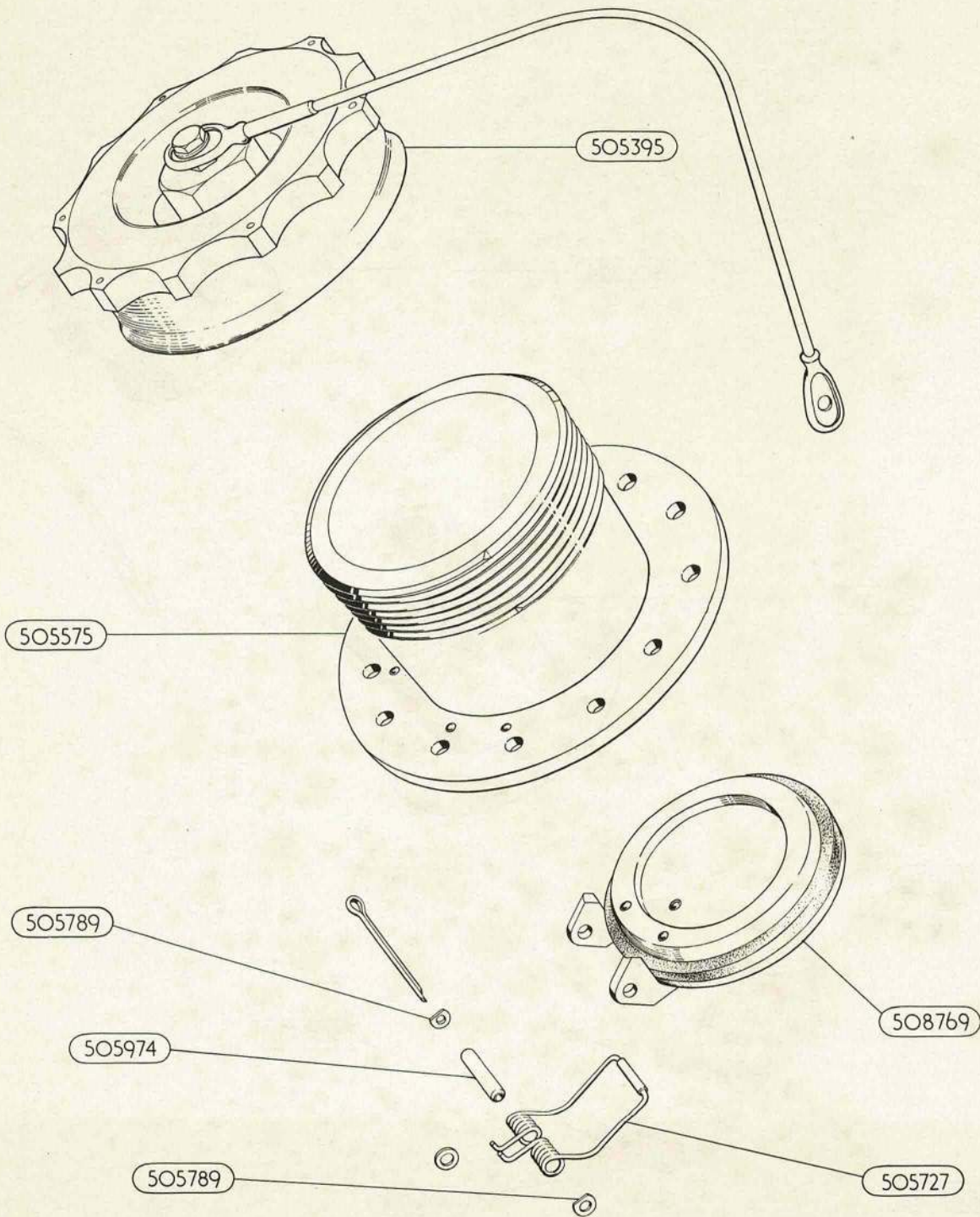
PLATE B 4



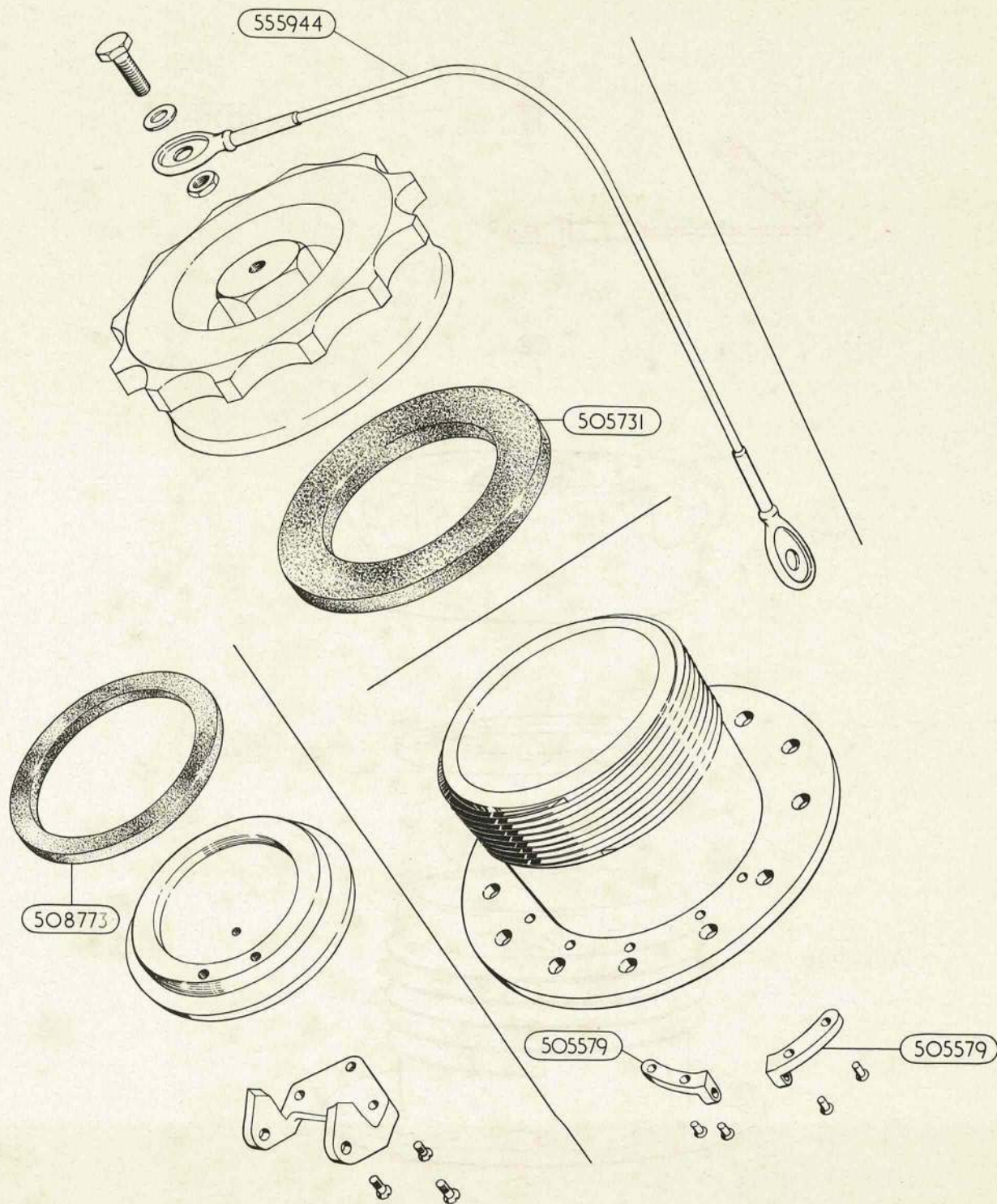
CONNECTION, GROUND PRESSURISING



CONNECTION, GROUND PRESSURISING

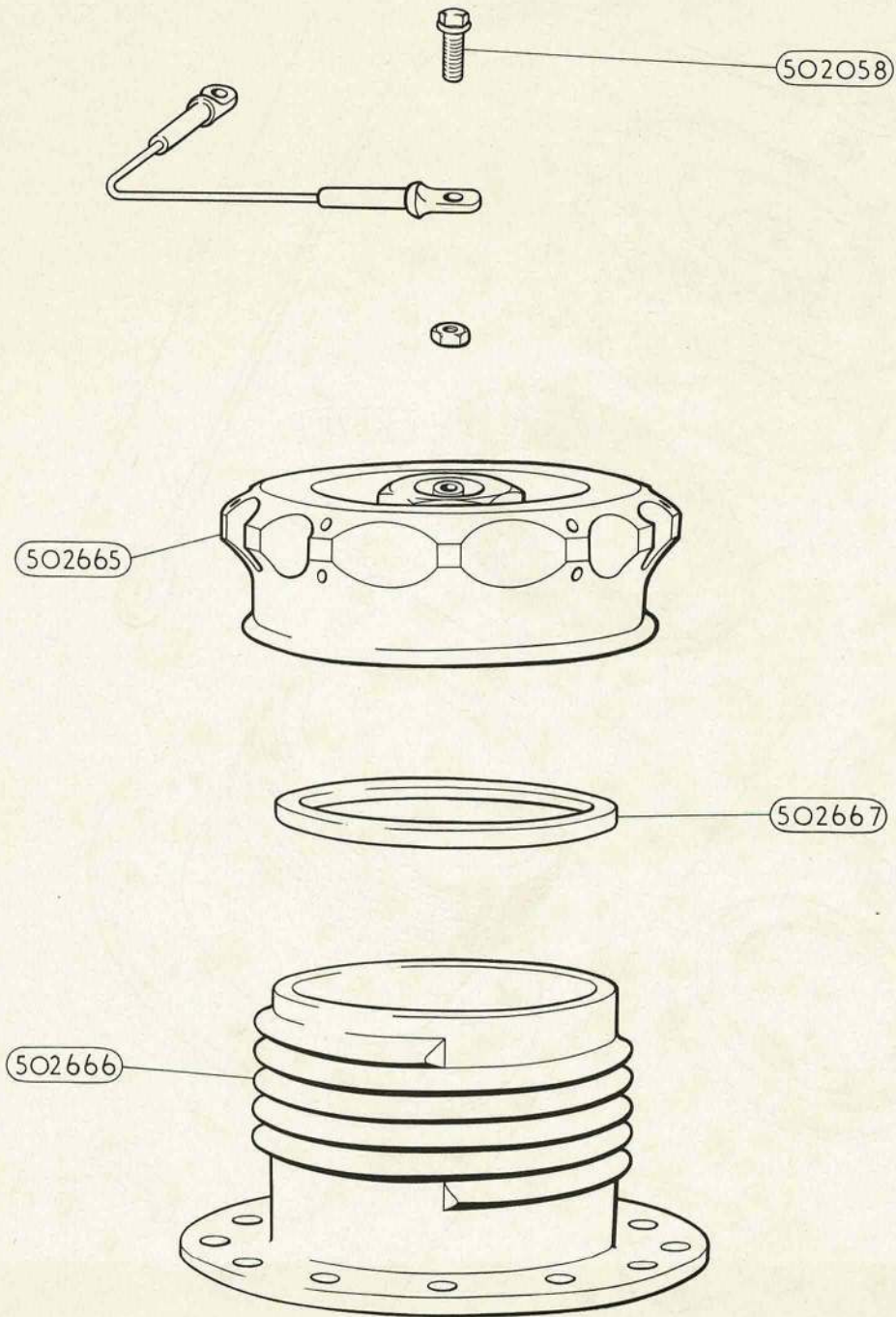


CONNECTION, GROUND PRESSURISING

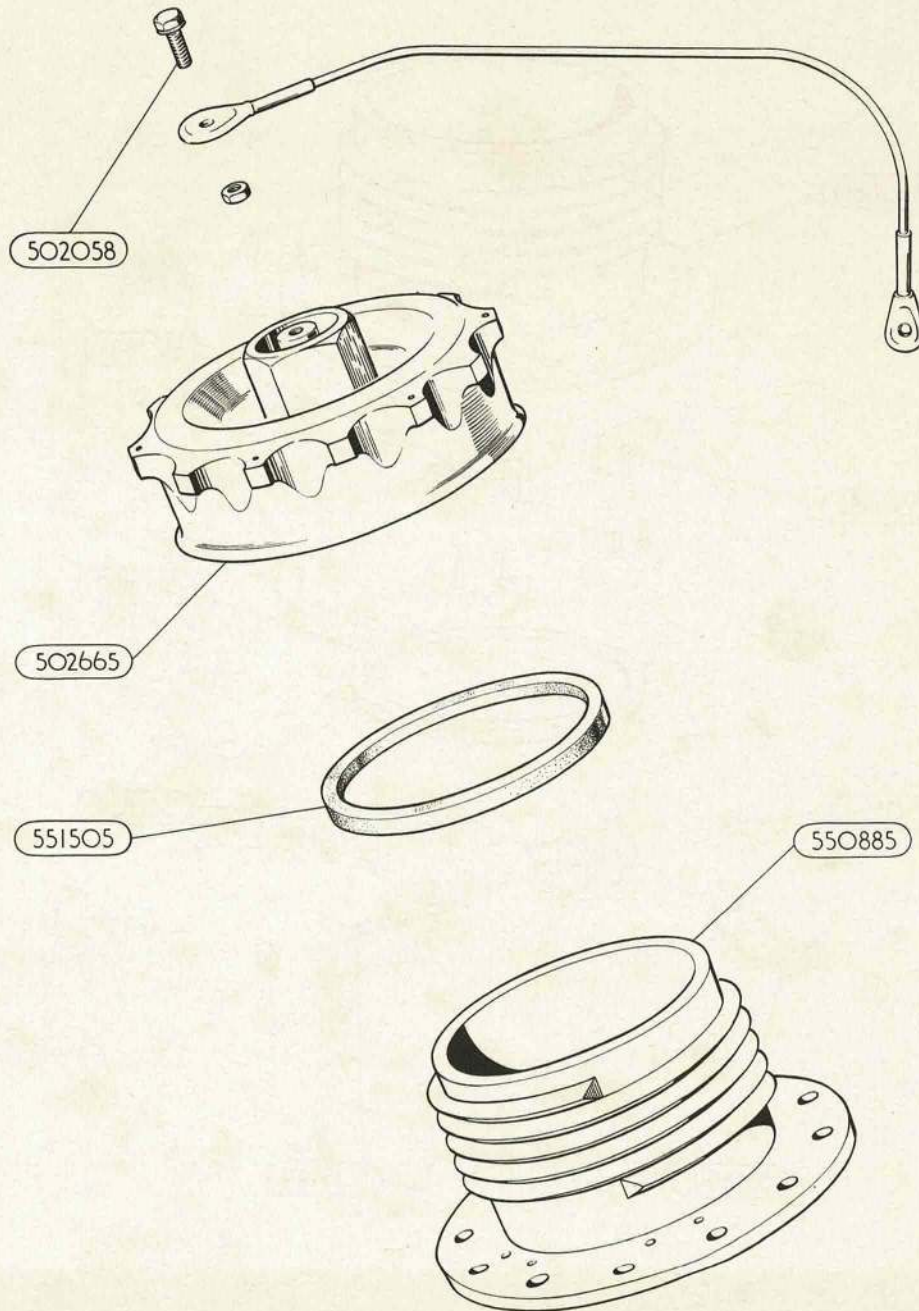


ASSEMBLIES VARIOUS

PLATE B 8

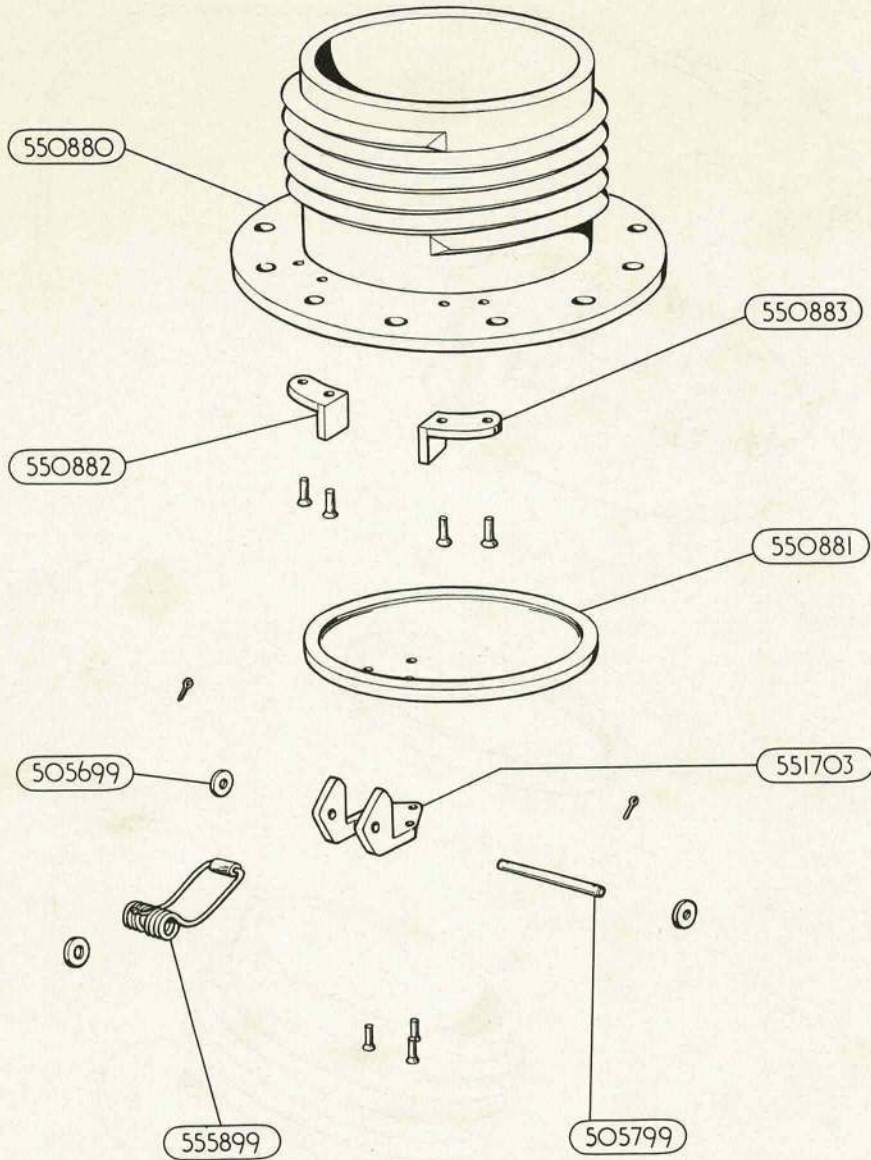


CONNECTION, GROUND PRESSURISING



CONNECTION, GROUND PRESSURISING

PLATE BIO



CONNECTION, GROUND PRESSURISING

This file was downloaded
from the RTFM Library.

Link: www.scottbouch.com/rtfm

Please see site for usage terms,
and more aircraft documents.

