

CONTROLLERS,  
AUTOMATIC FLOW

C





TYPE / APPLICABILITY

Section C — CONTROLLERS, AUTOMATIC FLOW

ACCESSORY :- CONTROLLER, AUTOMATIC FLOW 509230																
AIRCRAFT	MK	No. OFF	MK	No. OFF	MK	No. OFF	MK	No. OFF	MK	No. OFF	MK	No. OFF	MK	No. OFF	MK	No. OFF
SWIFT	5	1	7	1												
CONTROLLER, AUTOMATIC FLOW 510530																
SEA HAWK		1														
CONTROLLER, AUTOMATIC FLOW AND SHUT OFF VALVE 512180																
VULCAN	1	2	2	2												
CONTROLLER, AUTOMATIC FLOW 513270																
SCIMITAR		1														

TYPE / APPLICABILITY

Section C — CONTROLLERS, AUTOMATIC FLOW

ACCESSORY :-		CONTROLLER, AUTOMATIC FLOW 513820															
AIRCRAFT	MK	No. OFF	MK	No. OFF	MK	No. OFF	MK	No. OFF	MK	No. OFF	MK	No. OFF	MK	No. OFF	MK	No. OFF	
SCIMITAR		1															
		CONTROLLER, AUTOMATIC FLOW 513910															
SEA VIXEN		1															
		CONTROLLER, AUTOMATIC FLOW 512870 690640															
SEA VIXEN		2															
		CONTROLLER, AUTOMATIC FLOW 514590															
SWIFT	5	1															

TYPE / APPLICABILITY

Section C — CONTROLLERS, AUTOMATIC FLOW

ACCESSORY :- CONTROLLER, AUTOMATIC FLOW 515940																
AIRCRAFT	MK	No. OFF	MK	No. OFF	MK	No. OFF	MK	No. OFF	MK	No. OFF	MK	No. OFF	MK	No. OFF	MK	No. OFF
BRITANNIA	1	2														
CONTROLLER, AUTOMATIC FLOW 518410																
VULCAN	1	2														
VULCAN	2	2														



CONTROLLERS, AUTOMATIC FLOW

Ref. No.	Part No.	Description	No. Off	Matl. Spec.	CL. OF		Plate No.
					ST.	M.R.	
		1 2 3 4 5				L.M.	
621	509230	CONTROLLER, AUTOMATIC FLOW (PRE. MOD. 9AG).	1	—	A		C 1
942	514590	CONTROLLER, AUTOMATIC FLOW (MOD. 9AG).	1	—	A		
	553112	Spares for :— ADJUSTER, rate assembly (MOD. 9AG) ... ..	1	—			C 19
	553094	Spares for :— ADJUSTER, rate ... ..	1	3L42			C 19
	553143	PIN ... ..	1	BS.1407			C 19
	553111	SPRING ... ..	1	DTD.703			C 19
	550386	BEARING, end ... ..	1	S.80			C 1
	504552	BODY, controller ... ..	1	L.35			C 1
	504543	BODY, orifice (PRE. MOD. 9AG) ... ..	1	2L42			C 1
	554541	BODY, orifice (MOD. 9AG) ... ..	1	3L42			C 19
485	505372	FILTER, complete ... ..	1	—			C 1
28N/13417	AGS.2031/7	Circlip ... ..	1	—	C		
567	503327	NAMEPLATE (R.N.) ... ..	1	L.17	C		C 1
28S/6470	2R 3/16"	Screw ... ..	4	—	C		
	504539	RING, locking ... ..	1	S.80			C 1
	504556	ROD, support assembly ... ..	1	—			C 1
	504551	Spares for :— SCREW, grub ... ..	1	S.1			C 2
	504584	STOP, support ... ..	1	S.80			C 2
28L/15258	A24/GT	Nut ... ..	2	—	C		
28W/12666	SP14/G	Washer ... ..	1	—	C		
	504555	SPRING (PRE. MOD. 9AG) ... ..	1	DTD.703			C 1
	508659	VALVE, flow control assembly ... ..	1	—			C 1
	504546	Spares for :— BARREL ... ..	1	2L42			C 2
1032	503605	BEARING (R.N.) ... ..	2	CARBON			C 2
	506565	CLIP, spring ... ..	1	DTD.271			C 2
	506670	PIECE, packing ... ..	1	DTD.166			C 2
	506759	PIECE, packing ... ..	1	L.59			C 2
28Q/6544	AS.455/210	Rivet ... ..	2	—	C		
	508738	PLUG ... ..	1	2L42			C 2
	503608	PLUG, end ... ..	1	2L42			C 2
	504547	RING, adjustment ... ..	1	2L42			C 2
578	497888	SCREW, grub (R.N.) ... ..	2	DTD.126	C		C 2
574	497989	SCREW, grub (R.N.) ... ..	2	DTD.126	C		C 2
	508739	VALVE, flow control ... ..	1	2L42			C 2

CONTROLLERS, AUTOMATIC FLOW

Ref. No.	Part No.	Description	No. Off	Matl. Spec.	CL. OF		Plate No.
					ST.	M.R.	
		1 2 3 4 5				L.M.	
596	510530	CONTROLLER, AUTOMATIC FLOW (R.N.) ...	1	—	P		C3
		Spares for:—					
1016	552021	CASE ... ..	1	L.65			C3
1017	552023	FLANGE, end ... ..	1	L.65			C3
595	507418	GASKET (PRE. AMDT. 31AG) ... ..	2	DTD.416	C		C3
	559268	GASKET (AMDT. 31AG) ... ..	2	HALLITE			C3
28D/13038	A26/2B	Bolt ... ..	10	—	C		
28M/13450	A24/BP	Nut ... ..	10	—	C		
28W/14456	SP11/B	Washer ... ..	10	—	C		
1018	552022	HUB, end ... ..	1	DTD.130A			C3
28N/13595	AGS.2030/87	Circlip ... ..	1	—	C		
1019	552008	LABEL, complete ... ..	1	—			C3
1020	552017	NUT ... ..	1	DTD.683			C3
	552000	ORIFICE assembly ... ..	1	—			C3
		Spares for:—					
1021	552001 Sht. 1	EXTENSION, orifice ... ..	1	L.62			C4
1022	552002	HUB ... ..	1	L.65			C4
28Q/8043	AS.162/307	Rivet ... ..	9	—	C		
1023	552007	RING ... ..	1	DTD.687			C3
1024	552006	RING, valve ... ..	1	DTD.687			C3
1085	507407	ROD, support ... ..	1	S.80			C3
1025	552003	SPIDER ... ..	1	DTD.304			C3
	552427	SPRING assembly ... ..	1	—			C3
		Spares for:—					
	507398	ADJUSTER, spring rate ... ..	1	3L.42			C4
	552426	SPRING ... ..	1	DTD.215			C4
1026	552034	SPRING assembly * ... ..	1	—			C3
		Spares for:—					
	507398	ADJUSTER, spring rate ... ..	1	3L.42			C4
	507399	SPRING ... ..	1	NIM. 90			C4
		* This Assembly is an alternative to 552427.					
1027	507402	STEM ... ..	3	S.80			C3
1028	507941	VALVE, control assembly ... ..	1	—			C3
		Spares for:—					
1032	503605	BEARING ... ..	2	CARBON			C4
1031	507396	BUSH, valve ... ..	1	S.80			C4
1015	507834	SCREW, grub ... ..	2	DTD.525			C4
1030	507395	SPACER ... ..	1	DTD.130A			C4
1029	507940	VALVE, control ... ..	1	L.64			C4

CONTROLLERS, AUTOMATIC FLOW

Ref. No.	Part No.	Description	No. Off	Matl. Spec.	CL. OF ST.		Plate No.
					M.R.	L.M.	
1606	518410	CONTROLLER, AUTOMATIC FLOW AND SHUT-OFF VALVE (MOD. 32AG).	1	—	A		C5
636	512180	CONTROLLER, AUTOMATIC FLOW AND SHUT-OFF VALVE (PRE. MOD. 32AG).	1	—	A		
		Spares for :—					
	DDS.1092/Z/2B	BOLT (AMDT. 25AG) (PRE. AMDT. 31AG) ...	3	S.S.			
	DDS.1092/Z/3B	BOLT (AMDT. 25AG) (PRE. AMDT. 31AG) ...	7	S.S.			
	559497	CONTROLLER, auto flow, assembly (MOD. 32AG).	1	—			C5
	552848	CONTROLLER, auto flow, assembly (PRE. MOD. 32AG).	1	—			
		Spares for :—					
1208	552845	CASE, complete (R.N.) ...	1	—	C		C6
1214	552846	GASKET (R.N.) ...	1	DTD.416	C		C6
1212	554297	HUB, end (R.N.) ...	1	S.110	C		C6
1076	507410	NUT (R.N.) ...	1	S.80	C		C6
	558734	ORIFICE, complete (MOD. 32AG) ...	1	—			C6
	552841	ORIFICE, complete (PRE. MOD. 32AG) ...	1	—			
28M/13450	A24/BP	Nut ...	4	—	C		
28S/6428	A37/B12	Screw ...	4	—	C		
28W/14456	SP11/B	Washer ...	4	—	C		
1086	507412	PIECE, distance (MOD. 32AG) ...	1	DTD.571	C		C6
	554779	PIECE, distance (PRE. MOD. 32AG) ...	1	L.62			
1082	507413	RING, clamp (R.N.) ...	1	3L.42	C		C6
1198	554298	RING, valve (R.N.) ...	1	S.110	C		C6
	557026	ROD, support ...	1	S.80			C6
1087	507401	SPIDER (R.N.) ...	1	DTD.525	C		C6
	552837	SPRING, complete (PRE. MOD. 32AG) ...	1	—			
	552837/1	SPRING, complete (MOD. 32AG) ...	1	—			C6
	507402	STEM ...	3	S.80			C6
	559498	VALVE, control, assembly (MOD. 32AG) ...	1	—			C6
	554177	VALVE, control, assembly (PRE. MOD. 32AG) ...	1	—			
		Spares for :—					
1032	503605	BEARING — MORGAN CRUCIBLE CO. (R.N.).	2	LINK EY9	C		C6
	554180	BUSH ...	1	3L.42			C6
	554179	SPACER ...	1	3L.42			C6
	558732	VALVE, control (MOD. 32AG) ...	1	HID.100			C6
	554178	VALVE, control (PRE. MOD. 32AG) ...	1	L.A.			C6
28S/14451	A56/B4	Screw ...	2	—	C		
	554789	WASHER ...	1	S.110			C6
28D/13138	A26/4B	Bolt (AMDT. 31AG) ...	7	—	C		
28D/13040	A26/3B	Bolt (AMDT. 31AG) ...	3	—	C		
595	507418	GASKET ...	2	DTD.416	C		C5
567	503327	NAMEPLATE (R.N.) ...	1	L.17	C		C5
28S/6634	2R 1/8"	Screw ...	4	—	C		
	552847	VALVE, shut-off, assembly ...	1	—			C5
		Spares for :—					
28S/9419438	C.5511/2L	ACTUATOR — ROTAX ...	1	—			C7
	A35/B10	Screw ...	4	—	C		

CONTROLLERS, AUTOMATIC FLOW

Ref. No.	Part No.	Description	No. Off	Matl. Spec.	CL. OF			Plate No.	
					1	2	3		4
					ST.	M.R.	L.M.		
1131	N.D. 553129	BEARING, ball, 3/16" dia. — HOFFMAN ...	1	S.80				C7	
	558052	BEARING, screwed (PRE. MOD. 21AG) (R.N.).	1	S.80	C				
	552860	BEARING, screwed (MOD. 21AG) ...	1	S.80				C7	
28M/13450	A24/BP	BODY, control valve, complete ...	1	—				C7	
28S/6428	A37/B12	Nut ...	4	—	C				
28W/14456	SP11/B	Screw ...	4	—	C				
		Washer (PRE. AMDT. 25AG) ...	4	—	C				
1142	506539	BOLT, special (R.N.) ...	4	S.80	C			C7	
	A49/B	Nut (AMDT. 31AG) ...	4	—					
28W/14456	SP11/B	Washer (PRE. AMDT. 30AG) ...	4	—	C				
	554184	BRACKET, complete ...	1	—				C7	
	552746	BRACKET, mounting, complete ...	1	—				C7	
28D/16314	A59/6C	Bolt ...	2	—	C				
28D/16557	A59/7C	Bolt ...	2	—	C				
28M/10288	AGS.2001/C1	Nut ...	2	—	C				
28M/10328	AGS.2002/C1	Nut ...	2	—	C				
28W/14319	SP11/C	Washer ...	4	—	C				
1161	553130	BUSH (PRE. MOD. 21AG) (R.N.) ...	1	S.80	C				
	558053	BUSH (MOD. 21AG) ...	1	S.80				C7	
1134	505211	DISC, valve (R.N.) ...	1	DTD.747	C			C7	
	552752	GASKET ...	1	DTD.378A				C7	
	552735	GEARBOX, assembly ...	1	—				C7	
		Spares for —							
	552751	GASKET ...	1	PAPER				C7	
	552743	GEAR ...	1	S.82				C7	
	552736	HOUSING, gearbox, complete ...	1	—				C7	
	552744	PINION ...	1	S.82				C7	
28S/13720	A33/B10	Screw ...	4	—	C				
1065	550379	NUT (R.N.) ...	4	S.80	C			C7	
28S/6348	A37/C16	Screw ...	4	—	C				
28W/14319	SP11/C	Washer ...	4	—	C				
1143	550380	NUT (R.N.) (PRE. AMDT. 31AG) ...	4	S.80	C				
28W/14456	SP11/B	Washer (PRE. AMDT. 30AG) ...	4	—	C				
1130	553133	NUT, cap (R.N.) ...	1	DTD.525	C			C7	
1138	550006	NUT, gland (R.N.) ...	1	DTD.525	C			C7	
1137	550007	NUT, locking (R.N.) ...	1	DTD.525	C			C7	
1129	553132	PIECE, locking (PRE. MOD. 21AG) (R.N.)	1	DTD.525	C				

CONTROLLERS, AUTOMATIC FLOW

Ref. No.	Part No.	Description	No. Off	Matl. Spec.	CL. OF ST.			Plate No.
					1	2	3	
	558474	PIECE, locking (MOD. 21AG) ... ..	1	S.80				C7
	552749	PLATE, actuator ... ..	1	L.64				C7
1127	550013	PLATE, valve (R.N.) ... ..	1	S.80			C	C7
1141	550019	PLATE, valve (R.N.) ... ..	1	S.80			C	C7
	CZ.28093	PLUG, 5 pin. 7 amp. — PLESSEY ... ..	1	—				C7
1003	550018	RING, sealing (R.N.) ... ..	1 set	VEEMET			C	C7
	552750	SHAFT ... ..	1	S.80				C7
1215	550026	SLEEVE, flanged (R.N.) ... ..	1	DTD.525			C	C7
1147	550009	WASHER (R.N.) } Alternatives ... ..	1	BS.369			C	C7
1149	550010	WASHER (R.N.) } Alternatives ... ..	1	BS.369			C	C7
	558834	WASHER, tab (AMDT. 30AG) ... ..	4	S.521				C7
	552753	WASHER, clamp ... ..	4	DTD.527B				C7
28M/10287	AGS.2001/B1	Nut ... ..	4	—			C	
1128	553131	WASHER, sealing (R.N.) ... ..	1	BS.899			C	C7
	557102	WASHER, tab (AMDT. 25AG) ... ..	1	DTD.171				C7
1547	557103	WASHER, tab (AMDT. 25AG) (R.N.) ... ..	2	DTD.171			C	C7
28D/13038	A26/2B	Bolt (PRE. AMDT. 25AG) ... ..	3	—			C	
28D/13040	A26/3B	Bolt (PRE. AMDT. 25AG) ... ..	7	—			C	
28M/13450	A24/BP	Nut ... ..	10	—			C	
28W/14456	SP11/B	Washer (PRE. AMDT. 25AG) ... ..	10	—			C	
	557102	WASHER, tab (AMDT. 25AG) (AMDT. 31AG) ... ..	3	DTD.171				C5



CONTROLLERS, AUTOMATIC FLOW

Ref. No.	Part No.	Description	No. Off	Matl. Spec.	CL. OF ST.			Plate No.
					1	2	3	
1095	513820	CONTROLLER, AUTOMATIC FLOW (R.N.) ...	1	—			P	C 10
		Spares for:—						
1546	557076/1	BOLT, special (AMDT. 24AG) ...	10	S.80			C	
1074	507414	CASE, complete ...	1	—			C	C 10
1075	507385	FLANGE, end ...	1	S.110			C	C 10
28D/13038	A26/2B	Bolt, 4 B.A. ...	10	—			C	
28M/13450	A24/BP	Nut, 4 B.A. ...	10	—			C	
28W/14456	SP11/B	Washer, 4 B.A. ...	10	—			C	
	559268	GASKET (AMDT. 31AG) ...	2	HALLITE			C	
595	507418	GASKET, sealing, at attachment of orifice to end flange and casing (PRE. AMDT. 31AG).	2	DTD.416			C	C 10
1212	554297	HUB, end ...	1	S.110			C	C 10
567	503327	NAMEPLATE ...	1	L.4			C	C 10
28S/6634	2R-1/8"	Screw ...	4	—			C	
1076	507410	NUT, spider, attachment to orifice hub ...	1	S.80			C	C 10
1544	554010	ORIFICE assembly ...	1	—				C 10
		Spares for:—						
	554009	EXTENSION, orifice ...	1	S.110				C 11
1077	507416	HUB ...	1	S.80			C	C 11
28Q/	AS.482/307	Rivet, csk., 3/32" dia. ...	9	—			C	
1086	507412	RING, spring seating at orifice ...	1	DTD.571			C	C 10
1198	554298	RING, valve spring seating ...	1	S.110			C	C 10
1082	507413	RING, clamp, end hub retaining ...	1	3L-42			C	C 10
	554296	ROD, support (PRE. MOD. 13AG) ...	1	S.80				C 10
	557029	ROD, support (MOD. 13AG) ...	1	S.80				C 10
1087	507401	SPIDER ...	1	DTD.525			C	C 10
1081	552082	SPRING assembly ...	1	—			C	C 10
		Spares for:—						
1210	552084	ADJUSTER, rate ...	1	3L-42			C	C 11
1209	552083	SPRING ...	1	NIM.90			C	C 11
1027	507402	STEM ...	3	S.80			C	C 10
1543	554333	VALVE, control, assembly ...	1	—				C 10
		Spares for:—						
1032	503605	BEARING ...	2	CARBON			C	C 11
1206	554299	BUSH ...	1	L.65			C	C 11
1205	552900	SPACER ...	1	DTD.130A			C	C 11
	554334	VALVE, control ...	1	HIDUM.100				C 11
28S/14451	A56/B4	Screw, grub ...	2	—			C	
1213	554301	WASHER, valve seating at end hub ...	1	S.110			C	C 10
1545	558049/1	WASHER, tab (TYPE 'X') (AMDT. 30AG) ...	5	S.521				

CONFIDENTIAL AUTOMATIC FILE

Ref. No.	Part No.	Description					No. Off	Matl. Spec.	CL. OF	Plate No.
		1	2	3	4	5			ST.	
								M.R.		
								L.M.		

CONTROLLERS, AUTOMATIC FLOW

Ref. No.	Part No.	Description	No. Off	Matl. Spec.	CL. OF ST.			Plate No.
					1	2	3	
1117	513910	CONTROLLER, AUTOMATIC FLOW & SHUT OFF VALVE (R.N.)	1	—			P	C 12
		Spares for:—						
1131	553129	BEARING, screwed valve plate adjusting (PRE. MOD. 21AG).	1	S.80			C	C 12
	N.D.	BEARING, ball valve plate adjusting, 3/16" dia. HOFFMAN.	1	—				
	558052	BEARING, screwed (MOD. 21AG) ... ..	1	—				
1203	507830	BODY, valve, complete ... ..	1	—			C	C 12
28D/13038	A26/2B	Bolt (PRE. AMDT. 25AG) ... ..	7	—			C	
28M/13450	A24/BP	Nut ... ..	7	—			C	
28W/14456	SP11/B	Washer ... ..	7	—			C	
	A37/B16	Bolt (AMDT. 25AG) ... ..	7	—			C	
1142	506539	BOLT, valve plates and disc attachment ... ..	4	S.80			C	C 12
28W/14456	SP11/B	Washer (PRE. AMDT. 30AG) ... ..	8	—				
	558053	BUSH, valve plate adjusting (MOD. 21AG) ...	1	S.80			C	C 12
1161	553130	BUSH, valve plate adjusting (PRE. MOD. 21AG) ...	1	S.80			C	C 12
1208	552845	CASE, controller, complete (PRE. AMDT. 17AG) ...	1	—				C 12
	557820	CASE, controller, complete (AMDT. 17AG) ...	1	—			C	C 12
1134	505211	DISC, valve ... ..	1	DTD.747			C	C 12
1214	552846	GASKET, sealing orifice end hub to controller casing.	1	DTD.416			C	C 12
	559268	GASKET (AMDT. 31AG) ... ..	1	HALLITE			C	
595	507418	GASKET, sealing orifice end hub to contact valve body (PRE. AMDT. 31AG).	1	DTD.416			C	C 12
1212	554297	HUB, end support rod and orifice retaining ...	1	S.110			C	C 12
567	503327	NAMEPLATE ... ..	1	L.4			C	C 12
28S/6634	2R 1/8"	Screw ... ..	4	—				
1130	553133	NUT, cap locking piece retaining ... ..	1	DTD.525			C	C 12
1143	550380	NUT, valve plates and disc attachment (PRE. AMDT. 31AG).	4	S.80			C	C 12
1076	507410	NUT, spider attachment to orifice end hub ...	1	S.80			C	C 12
1137	550007	NUT, locking gland nut ... ..	1	DTD.525			C	C 12
1138	550006	NUT, gland ... ..	1	DTD.525			C	C 12
1204	552861	ORIFICE, assembly ... ..	1	—			C	C 12
		Spares for:—						
	507829	EXTENSION, orifice ... ..	1	S.80				C 13
	552843	HUB ... ..	1	—				C 13
28Q/6117	AS.462/306	Rivet ... ..	9	—			C	
	A37/B16	Screw (AMDT. 25AG) ... ..	3	—				
28S/16239	A37/B14	Screw (PRE. AMDT. 25AG) ... ..	3	—			C	
28D/13450	A24/BP	Nut ... ..	7	—			C	
28S/6428	A37/B12	Screw ... ..	4	—			C	
28W/14456	SP11/B	Washer ... ..	7	—			C	

CONTROLLERS, AUTOMATIC FLOW

Ref. No.	Part No.	Description	No. Off	Matl. Spec.	CL. OF ST.			Plate No.
					1	2	3	
1141	550019	PLATE, valve ... ..	1	S.80			C	C 12
1127	550013	PLATE, valve ... ..	1	S.80			C	C 12
	A49/B	Nut (AMDT. 31AG) ... ..	4	—				
1434	554661	PLATE, indicator (PRE. AMDT. 23AG) ... ..	1	L.55			C	C 12
1400	558155	PLATE, indicator (AMDT. 23AG) ... ..	1	—			C	
1129	553132	PIECE, locking, valve plate adjusting bush (PRE. MOD. 21AG).	1	DTD.525			C	C 12
1330	558474	PIECE, locking (MOD. 21AG) ... ..	1	—			C	
1465	550025	POINTER, indicator plate (PRE. AMDT. 23AG) ... ..	1	DTD.171A			C	C 12
1401	558156	POINTER, indicator plate (AMDT. 23AG) ... ..	1	—			C	
1082	507413	RING, clamp end hub retaining ... ..	1	3L/42			C	C 12
1198	554298	RING, valve spring seating ... ..	1	S.110			C	C 12
1086	507412	RING, spring seating at orifice end hub ... ..	1	DTD.571			C	C 12
1003	550018	RING, sealing shut off valve ... ..	1 set	Veemet 'A'			C	C 12
	554296	ROD, support (PRE. MOD. 13AG) ... ..	1	S.80				C 12
1433	557029	ROD, support (MOD. 13AG) ... ..	1	S.80				C 12
1211	550024	SHAFT, shut off valve control ... ..	1	S.80			C	C 12
28S/9419435	A31/B12	Screw ... ..	1	—			C	
28W/12676	SP22/B	Washer ... ..	1	—			C	
1215	550026	SLEEVE, flanged control valve ... ..	1	DTD.525			C	C 12
28M/10339	AGS.2002/C2	Nut ... ..	4	—			C	
28S/15962	A37/C6	Screw ... ..	4	—			C	
28W/14319	SP11/C	Washer ... ..	4	—			C	
1087	507401	SPIDER ... ..	1	DTD.525			C	C 12
1081	552082	SPRING assembly ... .. Spares for:—	1	—			C	C 12
1210	552084	ADJUSTER rate ... ..	1	3L/42			C	C 13
1209	552083	SPRING ... ..	1	NIM.90			C	C 13
1027	507402	STEM, spider control ... ..	3	S.80			C	C 12
	554295	VALVE, control assembly ... .. Spares for:—	1	—				C 12
1032	503605	BEARING ... ..	2	CARBON			C	C 13
1206	554299	BUSH ... ..	1	L.65			C	C 13
28S/14451	A56/B4	Screw, grub ... ..	2	—			C	
1205	552900	SPACER ... ..	1	DTD.130A			C	C 13
1207	554300	VALVE, control ... ..	1	HIDUM 100			C	C 13
1128	553131	WASHER, sealing locking piece ... ..	1	BS.899			C	C 12
1147	550009	WASHER, inner and outer seating of shut off valve sealing rings.	2	BS.369			C	C 12
1149	550010	WASHER, inner seating of shut off valve sealing rings (alternative to 550009).	2	BS.369			C	C 12
1213	554301	WASHER, support rod seating ... ..	1	DTD.171A			C	C 12
	558834	WASHER, tab (AMDT. 30AG) ... ..	4	S.521				C 12

CONTROLLERS, AUTOMATIC FLOW

Ref. No.	Part No.	Description	No. Off	Matl. Spec.	CL. OF			Plate No.
					1	2	3	
1097	515940	<b>CONTROLLERS, AUTOMATIC FLOW</b> ... ..	1	—	A			C 15
		Spares for :—						
	556962	<b>AUGMENTOR, assembly</b> ... ..	1	—				C 15
		Spares for :—						
	508098	<b>BODY assembly</b> ... ..	1	—				C 17
		Spares for :—						
	508080	<b>BODY</b> ... ..	1	L.35				C 18
	550895	<b>BUSH — MORGAN CRUCIBLE</b> ... ..	1	L.35				C 18
28N/12489	AGS.2030/5	Circlip ... ..	1	—	C			
	508099	<b>STUD, attachment of augmentor to controller.</b>	6	DTD.197				C 18
	551500	<b>WASHER, bush retaining</b> ... ..	1	DTD.610				C 18
	553247	<b>BODY, cylinder, complete</b> ... ..	1	—				C 17
	508814	<b>BOLT, attachment of cylinder body to flow control valve body.</b>	8	L.42				C 17
	555421	<b>BUSH, special, at piston</b> ... ..	1	L.42				C 17
	550958	<b>COLLAR, spacing at seating of control valve spring.</b>	1	L.42				C 17
	508839	<b>GASKET, at attachment of cylinder body to main body.</b>	1	KLING				C 17
897	508732	<b>GASKET, seating of union to cylinder body</b> ...	1	KLING				C 17
	550731	<b>GUIDE, controller spring, assembly</b> ... ..	1	—				C 17
		Spares for :—						
	550895	<b>BUSH — MORGAN CRUCIBLE</b> ... ..	1	EY.9				C 18
28N/12489	AGS.2030/5	Circlip ... ..	1	—	C			
	550959	<b>GUIDE, spring</b> ... ..	1	L.42				C 18
	551500	<b>WASHER, bush retaining</b> ... ..	1	DTD.610				C 18
	508823	<b>NUT at attachment of cylinder body to main body.</b>	8	DTD.197				C 17
	553752	<b>PISTON assembly</b> ... ..	1	—				C 17
		Spares for :—						
	553751	<b>NUT, piston ring retaining</b> ... ..	2	L.42				C 18
	508849	<b>PISTON</b> ... ..	1	L.42				C 18
	550555	<b>RING, piston — MORGAN CRUCIBLE</b> ... ..	2	G.9006				C 18
	553243	<b>SCREW, grub locking piston ring retaining nuts.</b>	1	S.S.				C 18
	508730	<b>SPACER, piston ring</b> ... ..	1	L.42				C 18
	508729	<b>WASHER</b> ... ..	1	L.42				C 18

CONTROLLERS, AUTOMATIC FLOW

Ref. No.	Part No.	Description					No. Off	Matl. Spec.	CL. OF	Plate No.
		1	2	3	4	5			ST.	
	508846						1	L.42		C 17
	508843						1	L.42		C 17
	<del>508773</del> 560894						1	L.42		C 17
	5100/25						1	—		C 17
	508094						1	—		C 17
	508096						1	L.42		C 18
28P/5322	SP29/E4						1	—	C	
	508095						1	DTD.525		C 18
	<del>508954</del>						<del>1</del>	—		C 17
	508735						1	S.80		C 17
	551057						1	DTD.416		C 17
	551764						AR	2L.42		C 17
	551763						1	NIM-90		C 17
	551335						1	—		C 17
	550960						1	L.42		C 18
28S/16480	A31/A4						1	—	C	
	508091						1	DTD.525		C 17
1110	556970						1	S.110	C	C 17
	556955						1	—		C 17
	508808						2	EY.9		C 18
	550957						1	L.42		C 18
	508082						1	L.42		C 18
	550961						1	L.42		C 18
28S/6617	A37/B8						4	—	C	
	508087						1	L.42		C 18
574	497989						3	L.42	C	C 18
	508086						1	L.42		C 18
	551338						1	L.42		C 18
	556952						1	L.42		C 18
	508847						8	L.42		C 17

CONTROLLERS, AUTOMATIC FLOW

Ref. No.	Part No.	Description	No. Off	Matl. Spec.	CL. OF ST.			Plate No.
					M.R.	L.M.		
						1		
905	508999	BLOCK, complete at straps ... ..	1	—			C	C 15
28D/12515	A25/10C	Bolt, 2 B.A. ... ..	2	—			C	
28M/10328	AGS.2002/C1	Nut, 2 B.A. ... ..	2	—			C	
28W/9419454	SP10/C	Washer, 2 B.A. ... ..	2	—			C	
	556951	CONTROLLER, primary assembly ... .. Spares for:—	1	—				C 15
	556950	BODY, controller ... ..	1	L.35				C 16
	556956	BOLT, cylinder attachment to body ... ..	10	DTD.197				C 16
	DDS.1092/Z/1B	BOLT, attachment of grid to pillars (PRE. ALT. H19).	3	—				
	508063	BOLT, piston guide ... ..	1	DTD.525				C 16
	550385	CYLINDER, piston ... ..	1	L.35				C 16
898	550729	GRID, complete (PRE. ALT. H19) ... ..	1	—			C	C 16
	508077	NUT, spring guide ... ..	1	S.80				C 16
28W/13388	SP14/E	Washer, 1/4" B.S.F. ... ..	1	—				C
	899	508826	PILLAR, grid (PRE. ALT. H19) ... ..	3	S.80			C 16
	508073	PISTON assembly ... .. Spares for:—	1	—				C 16
	508815	BEARING — MORGAN CRUCIBLE ... ..	1	EY.9				C 18
28N/14641	AGS.2030/147	Circlip ... ..	1	—			C	
	508066	PISTON ... ..	1	L.35				C 18
	508059	RING, adjusting spring seat ... ..	1	DTD.197				C 16
	551331	SEAT, spring ... ..	1	L.42				C 16
	561853	(SCREW locking adjusting ring (PRE ALT H21))	1	DTD.197				C 16
28W/9419475	508822	SCREW, locking adjusting ring (PRE ALT H21)	1	DTD.197				C 16
	SP15/C	Washer, 2 B.A. ... ..	1	—			C	
	508078	SPACER, spring adjusting ... ..	AR	L.42				C 16
	551336	SPRING, assembly ... .. Spares for:—	1	—				C 16
	551330	ADJUSTER, rate ... ..	1	L.42				C 18
	551337	SCREW, rate adjuster locking ... ..	1	M.S.				C 18
	508061	SUPPORT, end SUPPORT ALT H21...	1	L.42				C 16
	508060	WASHER, adjusting ring seating ... ..	1	DTD.166B				C 16
	508840	GASKET ... ..	1	DTD.416				C 15

CONTROLLERS, AUTOMATIC FLOW

Ref. No.	Part No.	Description	No. Off	Matl. Spec.	CL. OF ST.			Plate No.
					1	2	3	
534	500500	<b>NAMEPLATE (R.N.)</b> ... ..	1	L.4		C		C 15
28S/6470	2R 3/16"	Screw ... ..	4	—		C		
	508823	<b>NUT</b> , attachment of augmentor to controller ...	6	DTD.197				C 15
903	508997	<b>STRAP</b> , upper, complete ... ..	1	—		C		C 15
904	508998	<b>STRAP</b> , upper, complete ... ..	1	—		C		C 15
901	508995	<b>STRAP</b> , lower, complete ... ..	1	—		C		C 15
902	508996	<b>STRAP</b> , lower, complete ... ..	1	—		C		C 15
28D/12531	A25/3C	Bolt, 2 B.A. ... ..	2	—		C		
28M/10328	AGS.2002/C1	Nut, 2 B.A. ... ..	2	—		C		
	508782	<b>WASHER</b> , special, at upper and lower straps ...	4	S.3				C 15
	508847	<b>WASHER</b> , at attachment of augmentor to controller.	6	L.42				C 15

CONTROLLERS, AUTOMATIC FLOW

Ref. No.	Part No.	Description	No. Off	Matl. Spec.	CL. OF ST.			Plate No.	
					1	2	3		M.R.
									L.M.
1363	513270	<b>CONTROLLER, AUTOMATIC FLOW (R.N.)</b> ...	1	—	P		C 8		
		Spares for :—							
1515	557076	<b>BOLT (AMDT. 29AG)</b> ... ..	10	S.80	C		C 8		
	554255	<b>CASE, complete (PRE. AMDT. 29AG)</b> ... ..	1	—	C		C 8		
1521	558635	<b>CASE, complete (AMDT. 29AG)</b> ... ..	1	—	C		C 8		
28D/13038	A26/2B	<b>Bolt, 4 B.A. (PRE. AMDT. 29AG)</b> ... ..	10	—	C		C 8		
28M/13450	A24/BP	<b>Nut, 4 B.A.</b> ... ..	10	—	C		C 8		
28W/14456	SP11/B	<b>Washer, 4 B.A. (PRE. AMDT. 29AG)</b> ... ..	10	—	C		C 8		
1514	554266	<b>FLANGE</b> ... ..	1	S.110	C		C 8		
1533	554269	<b>GASKET, flange sealing at orifice</b> ... ..	1	DTD.278A	C		C 8		
1532	554268	<b>GASKET, sealing at attachment of orifice to case</b> ... ..	1	DTD.378A	C		C 8		
1519	554265	<b>HUB, end</b> ... ..	1	S.110	C		C 8		
567	503327	<b>NAMEPLATE (R.N.)</b> ... ..	1	L.4	C		C 8		
28S/6634	2R 1/8"	<b>Screw</b> ... ..	4	—	C		C 8		
1076	507410	<b>NUT, spider locking orifice to hub</b> ... ..	1	—	C		C 8		
1520	554746	<b>PIECE, distance, end hub and orifice</b> ... ..	1	S.80	C		C 8		
1528	554257	<b>ORIFICE assembly</b> ... ..	1	—	C		C 8		
		Spares for :—							
	554258	<b>EXTENSION, orifice</b> ... ..	1	HIDUM. 100	C		C 9		
	554259	<b>HUB</b> ... ..	1	S.80	C		C 9		
28Q/	AS.462/308	<b>Rivet</b> ... ..	6	—	C		C 9		
28M/13450	A24/BP	<b>Nut, 4 B.A. (PRE. AMDT. 29AG)</b> ... ..	4	—	C		C 9		
28S/6428	A37/B12	<b>Screw, 4 B.A. (PRE. AMDT. 29AG)</b> ... ..	4	—	C		C 9		
28W/14456	SP11/B	<b>Washer, 4 B.A. (PRE. AMDT. 29AG)</b> ... ..	4	—	C		C 9		
1518	554256	<b>RING, clamp, end hub retaining</b> ... ..	1	S.80	C		C 8		
1531	558078	<b>SCREW (AMDT. 29AG)</b> ... ..	4	S.80	C		C 8		
1513	554267	<b>SPIDER</b> ... ..	1	S.80	C		C 8		
1529	554264	<b>SPINDLE</b> ... ..	1	S.80	C		C 8		
1522	554250	<b>SPRING, assembly</b> ... ..	1	—	C		C 8		
		Spares for :—							
	554252	<b>ADJUSTER, spring rate</b> ... ..	1	L.65	C		C 9		
1523	554251	<b>SPRING</b> ... ..	1	NIM. 90	C		C 9		
1027	507402	<b>STEM, spider control</b> ... ..	3	S.80	C		C 8		
1524	556046	<b>VALVE, control assembly</b> ... ..	1	—	C		C 8		
		Spares for :—							
1525	507430	<b>BEARING</b> ... ..	2	—	C		C 9		
1527	554263	<b>BUSH</b> ... ..	1	3L-42	C		C 9		
1526	554262	<b>SPACER</b> ... ..	1	3L-42	C		C 9		
	556045	<b>VALVE, control</b> ... ..	1	HIDUM. 100	C		C 9		
28S/14451	AS56/B4	<b>Screw, grub</b> ... ..	2	—	C		C 9		
1530	554253	<b>WASHER, spring seating at orifice</b> ... ..	1	DTD.571	C		C 8		
1517	554254	<b>WASHER, spring sealing at valve</b> ... ..	1	DTD.571	C		C 8		
1516	558049/4	<b>WASHER, tab (TYPE 'X') (AMDT. 30AG)</b> ... ..	5	S.521	C		C 8		



CONTROLLERS, AUTOMATIC FLOW

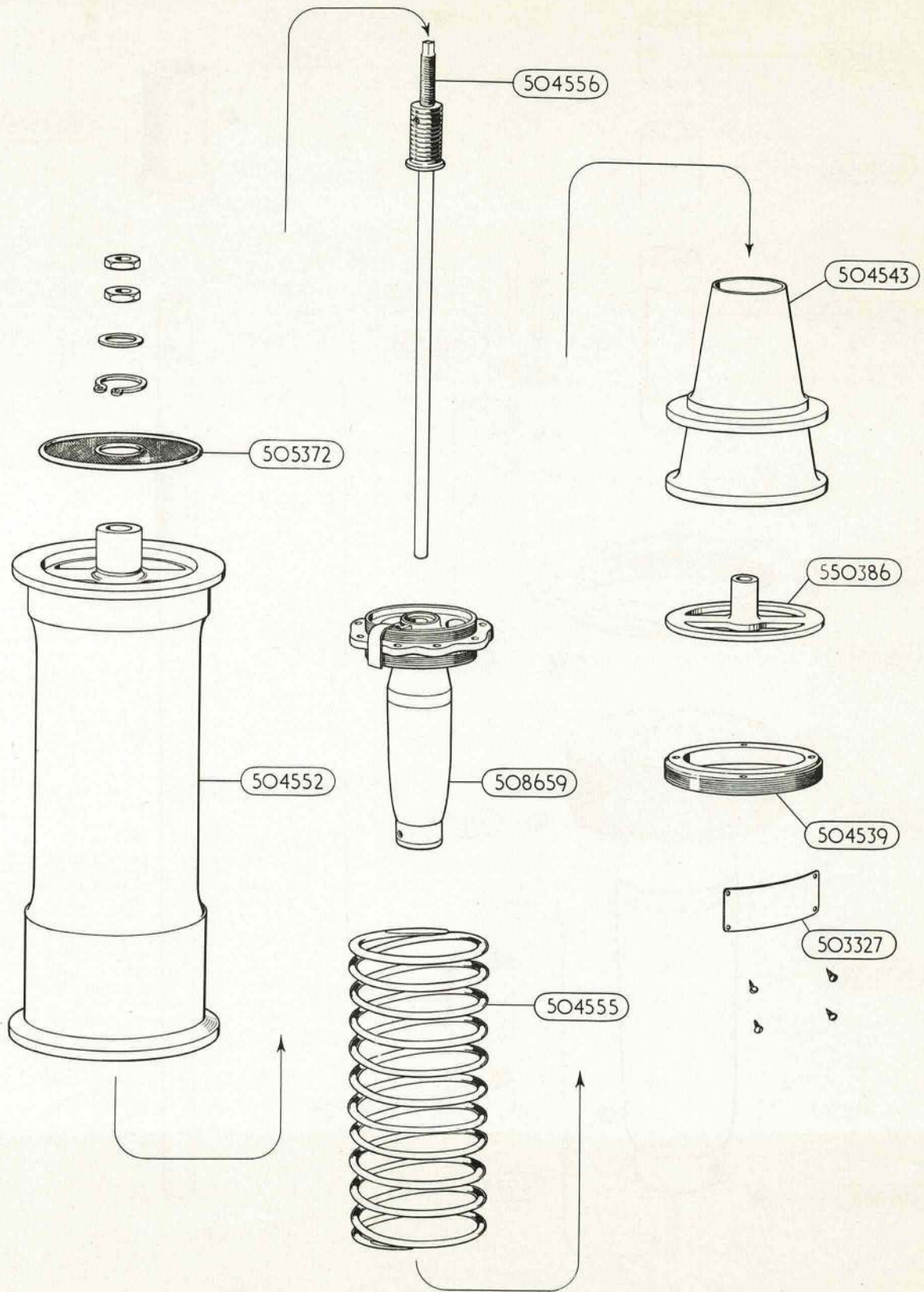
Ref. No.	Part No.	Description	No. Off	Matl. Spec.	CL. OF ST.		Plate No.
					M.R.	L.M.	
		1 2 3 4 5					
1938	520640	CONTROLLER, AUTOMATIC FLOW (R.N.) (MOD. 34AG). Spares for :—	1	—	P		C 14
1501	555326	ADJUSTER ... ..	1	DTD.197	C		C 14
1495	555314	ADJUSTER, rate assembly ... .. Spares for :—	1	—	C		C 14
	555997	ADJUSTER, rate ... ..	1	L.65			C 14
	555314/1	ROD ... ..	1	Slr.S.			C 14
	555315	SPRING, compression ... ..	1	DTD.747			
	559772	BODY, complete ... ..	1	S.S.	C		C 14
1504	555331	BOLT, special ... ..	8	DTD.197			C 14
28W/9419475	SP15/C	Washer ... ..	8	—			
	560048	CARRIER, spring, complete ... ..	1	—			C 14
	559771	CYLINDER ... ..	1	L.35	C		C 14
28S/9784	A35/C20	Screw ... ..	2	—	C		
1506	555332	FLANGE, end ... ..	1	L.35	C		C 14
	559773	GASKET (PRE. AMDT. 36AG) ... ..	1	ASB			
1499	555329	GASKET ... ..	1	HALLITE	C		C 14
534	500500	NAMEPLATE ... ..	1	L.4	C		C 14
28Q/6663	AS.2227/303	Rivet ... ..	4	—	C		
1492	555317	PISTON, assembly ... .. Spares for :—	1	—	C		C 14
1493	555320	BUSH ... ..	2	—	C		C 14
28W/12925	AGS.2030/29	Circlip ... ..	2	—	C		
	ND/S.342	PISTON, group ... ..	1	—			C 14
1494	555321	TUBE, distance ... ..	1	L.62	C		C 14
	562442	PLUG (AMDT. 42AG) ... ..	4	S.80			C 14
1511	555322	PLUG ... ..	1	S.80	C		C 14
	559775	RING, spacer ... ..	1	L.65			C 14
1500	555327	SCREW, peg ... ..	1	S.80	C		C 14
1508	555324	SHAFT ... ..	1	S.80	C		C 14
	5100/23W	RETAINER — 'TRUARC' (AMDT. 42AG) ... ..	4	—			C 14
1503	555330	SPIDER ... ..	1	L.35	C		C 14
1502	555325	SPINDLE ... ..	1	S.80	C		C 14
1507	555323	STOP ... ..	1	S.80	C		C 14
28M/13266	A24/ES	Nut ... ..	1	—	C		
28P/9429528	SP9/C8	Pin, split ... ..	1	—	C		
28P/5327	SP29/H6	Pin, taper... ..	1	—	C		
28P/5328	SP29/H8	Pin, taper... ..	1	—	C		
28W/9419405	SP15/E	Washer ... ..	1	—	C		
1505	555336	WASHER ... ..	8	KLING	C		C 14
1497	558178	WASHER, spring ... ..	2	DTD.239	C		C 14
1512	556546	WASHER, tab ... ..	1	DTD.166B	C		C 14
	562443	WASHER (AMDT. 42AG) ... ..	4	S.80			C 14



CONTROLLERS, AUTOMATIC FLOW

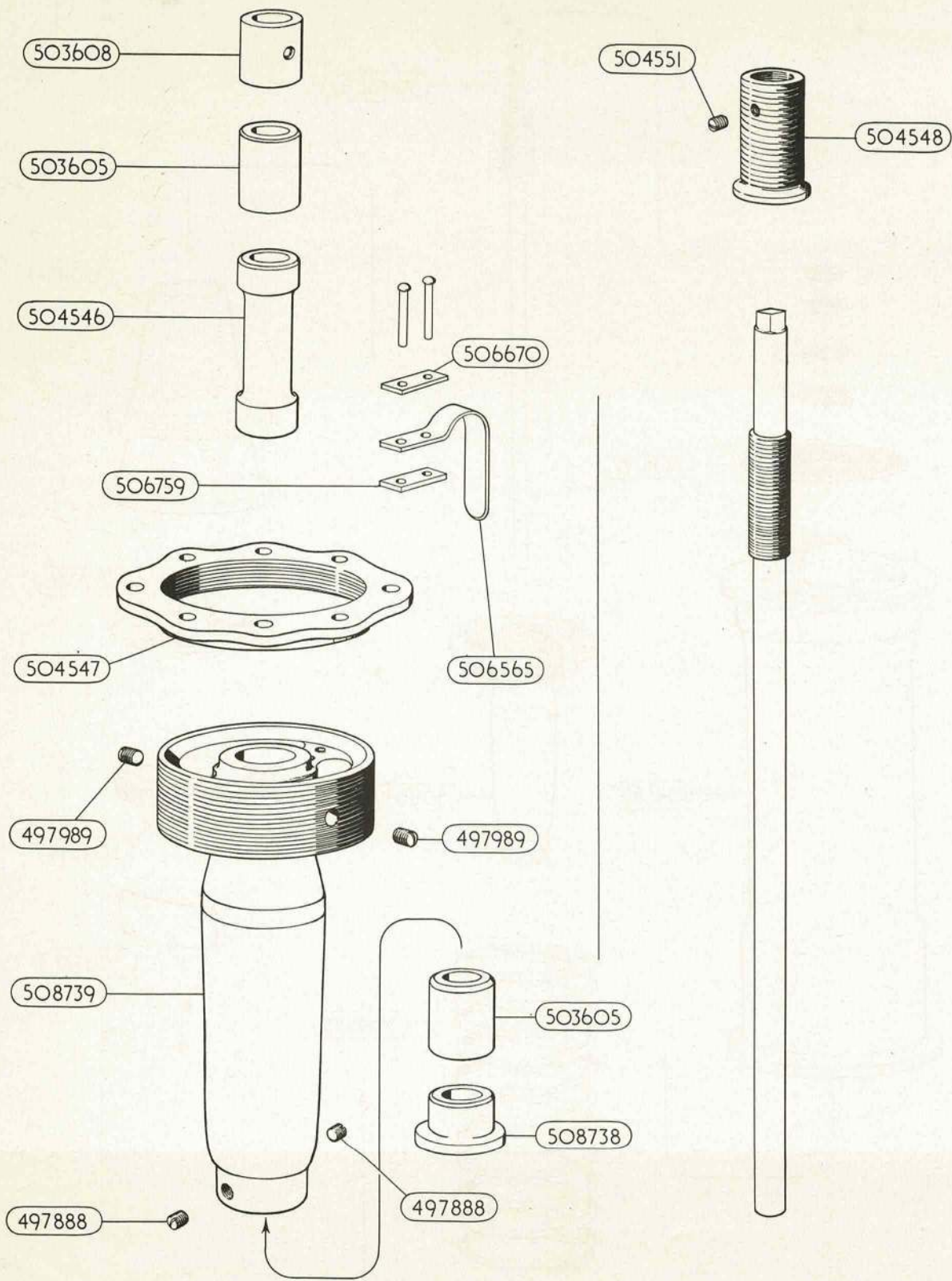
Ref. No.	Part No.	Description	No. Off	Matl. Spec.	CL. OF ST.		Plate No.
					M.R.	L.M.	
1374	512870	CONTROLLER, AUTOMATIC FLOW (R.N.) ...	1	—		P	C 14
		Spares for :—					
1501	555326	ADJUSTER ... ..	1	DTD.197			C 14
1495	555314	ADJUSTER, rate assembly ... ..	1	—			C 14
		Spares for :—					
	555997	ADJUSTER, rate ... ..	1	L.65			C 14
	555314/1	ROD ... ..	1	Slr.S.			C 14
	555315	SPRING, compression ... ..	1				
1510	555334	BODY, complete ... ..	1	S.S.			C 14
1504	555331	BOLT, special ... ..	8	DTD.197			C 14
28W/9419405	SP15/E	Washer ... ..	8	—		C	
1498	555335	CARRIER, spring ... ..	1	L.42			C 14
1509	555333	CYLINDER ... ..	1	L.35			C 14
28S/9784	A35/C20	Screw ... ..	2	—		C	
28W/3098	AGS.162/C	Washer, spring (PRE. AMDT. 24AG) ... ..	2	—		C	
1497	558178	WASHER, spring (AMDT. 24AG) ... ..	2	DTD.239			
1506	555332	FLANGE, end ... ..	1	L.35			C 14
1496	555328	GASKET ... ..	1	DTD.378A			C 14
1499	555329	GASKET ... ..	1	HALLITE			C 14
534	500500	NAMEPLATE ... ..	1	L.4		C	C 14
28Q/6663	AS.2227/303	Rivet ... ..	4	—		C	
1492	555317	PISTON, assembly ... ..	1	—			C 14
		Spares for :—					
1493	555320	BUSH ... ..	2	—			C 14
28W/12925	AGS.2030/29	Circlip ... ..	2	—		C	
	ND/S342	PISTON, group ... ..	1	—			C 14
1494	555321	TUBE, distance ... ..	1	L.62			C 14
1511	555322	PLUG ... ..	1	S.80			C 14
1500	555327	SCREW, peg ... ..	1	S.80			C 14
1508	555324	SHAFT ... ..	1	S.80			C 14
1503	555330	SPIDER ... ..	1	L.35			C 14
1502	555325	SPINDLE ... ..	1	S.80			C 14
1507	555323	STOP ... ..	1	S.80			C 14
28M/13266	A24/ES	Nut ... ..	1	—		C	
28P/9429528	SP9/C8	Pin, split ... ..	1	—		C	
28P/5327	SP29/H6	Pin, taper ... ..	1	—		C	
28P/5328	SP29/H8	Pin, taper ... ..	1	—		C	
28W/9419405	SP15/E	Washer ... ..	1	—		C	
1505	555336	WASHER ... ..	8	KLING		C	C 14
1512	556546	WASHER, tab ... ..	1	DTD.166B		C	C 14

Ref. No.	Part No.	Description					No. Off	Matl. Spec.	CL. OF	Plate No.
		1	2	3	4	5			ST. M.R. L.M.	



CONTROLLER, AUTOMATIC FLOW

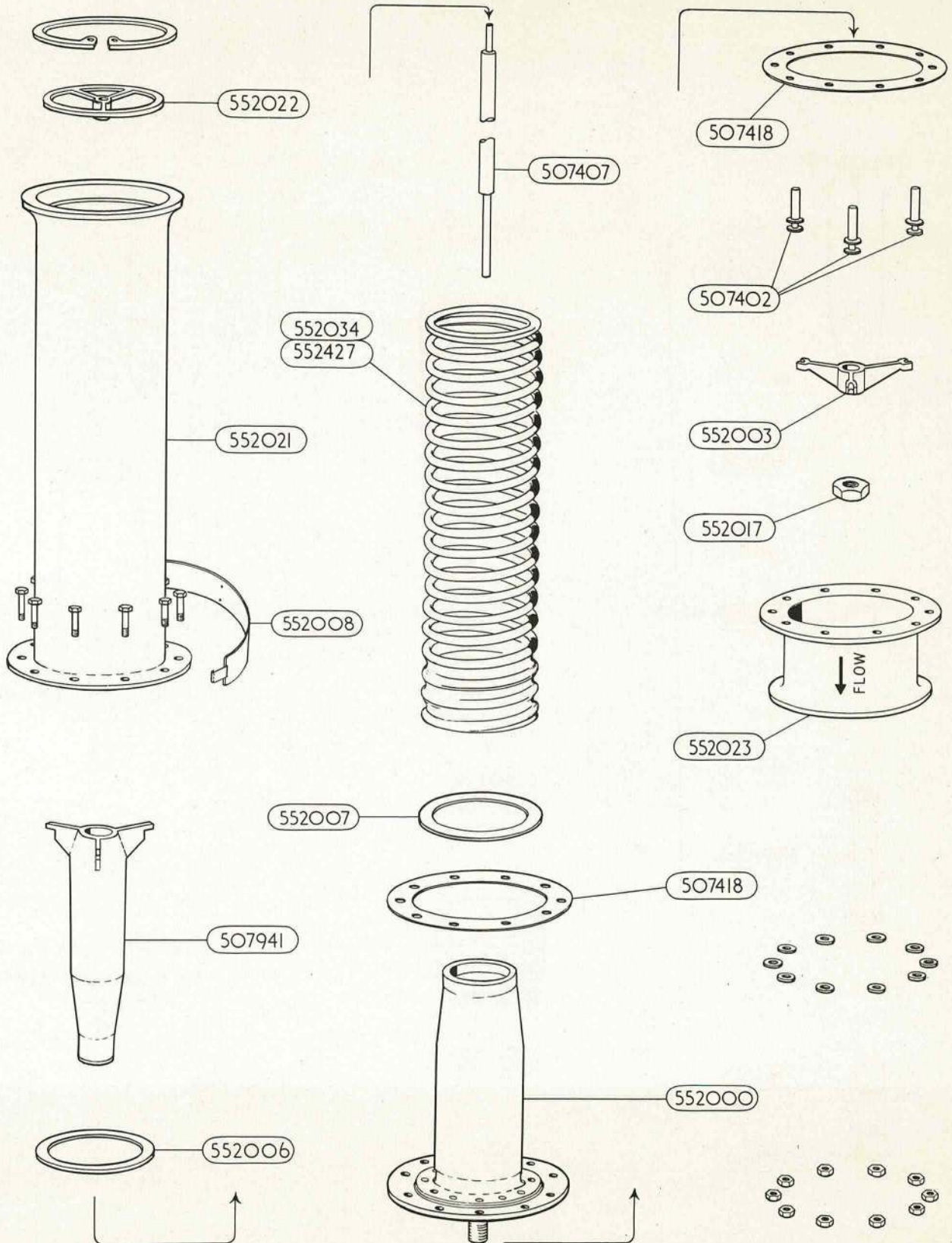
PLATE C 2



ASSEMBLIES VARIOUS

RESTRICTED

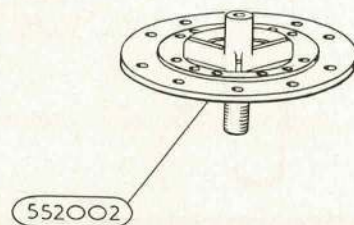
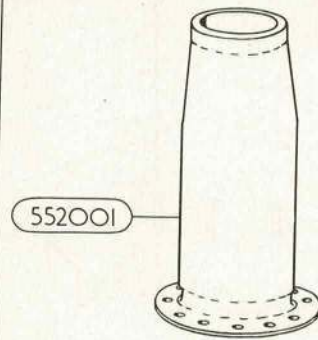
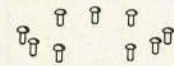
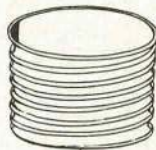
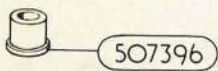
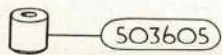
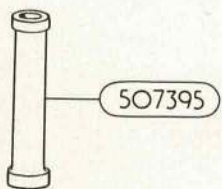
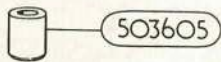
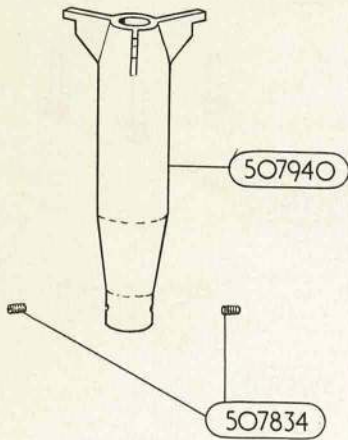
PLATE C 3



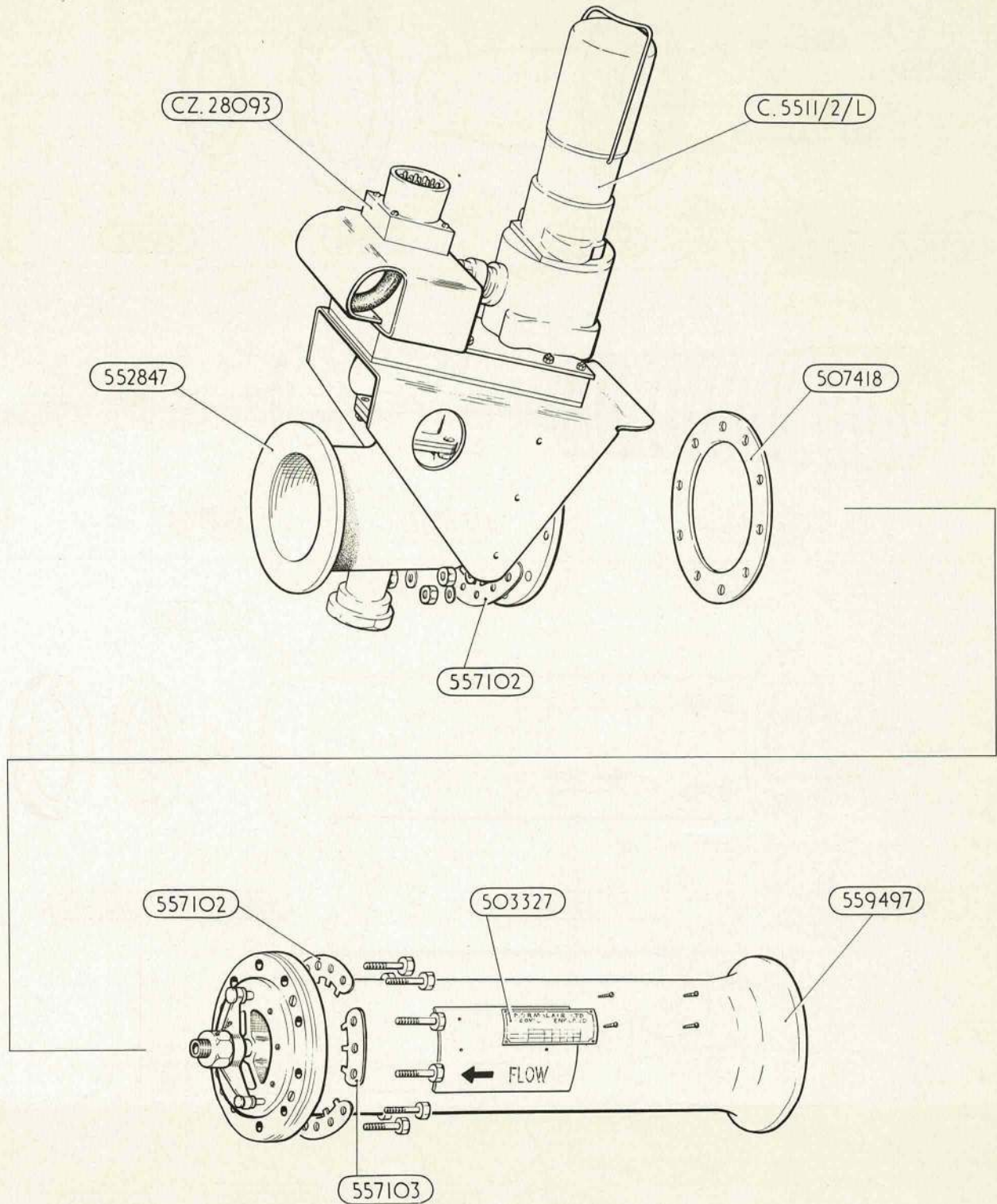
CONTROLLER, AUTOMATIC FLOW

RESTRICTED

PLATE C 4

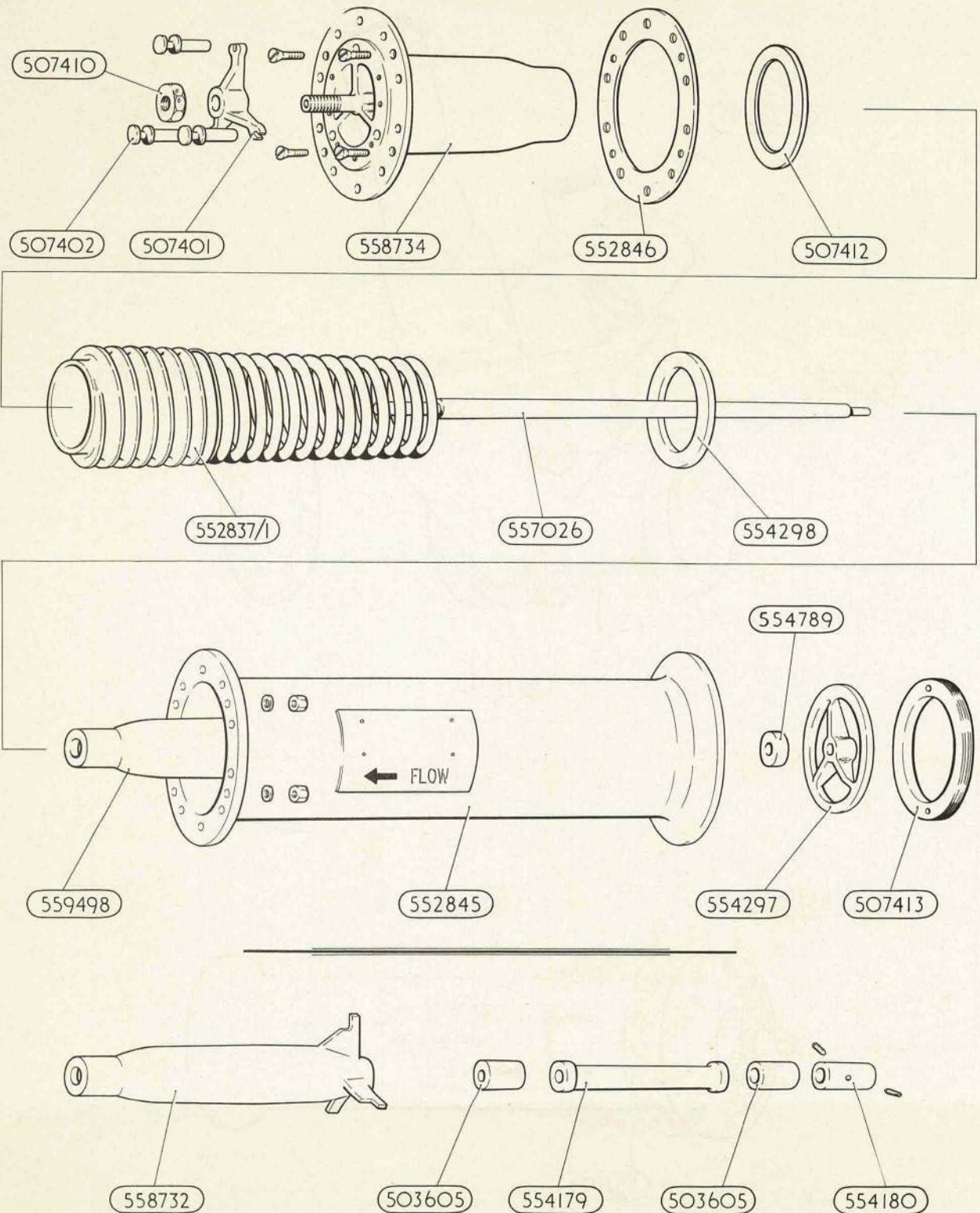


ASSEMBLIES VARIOUS



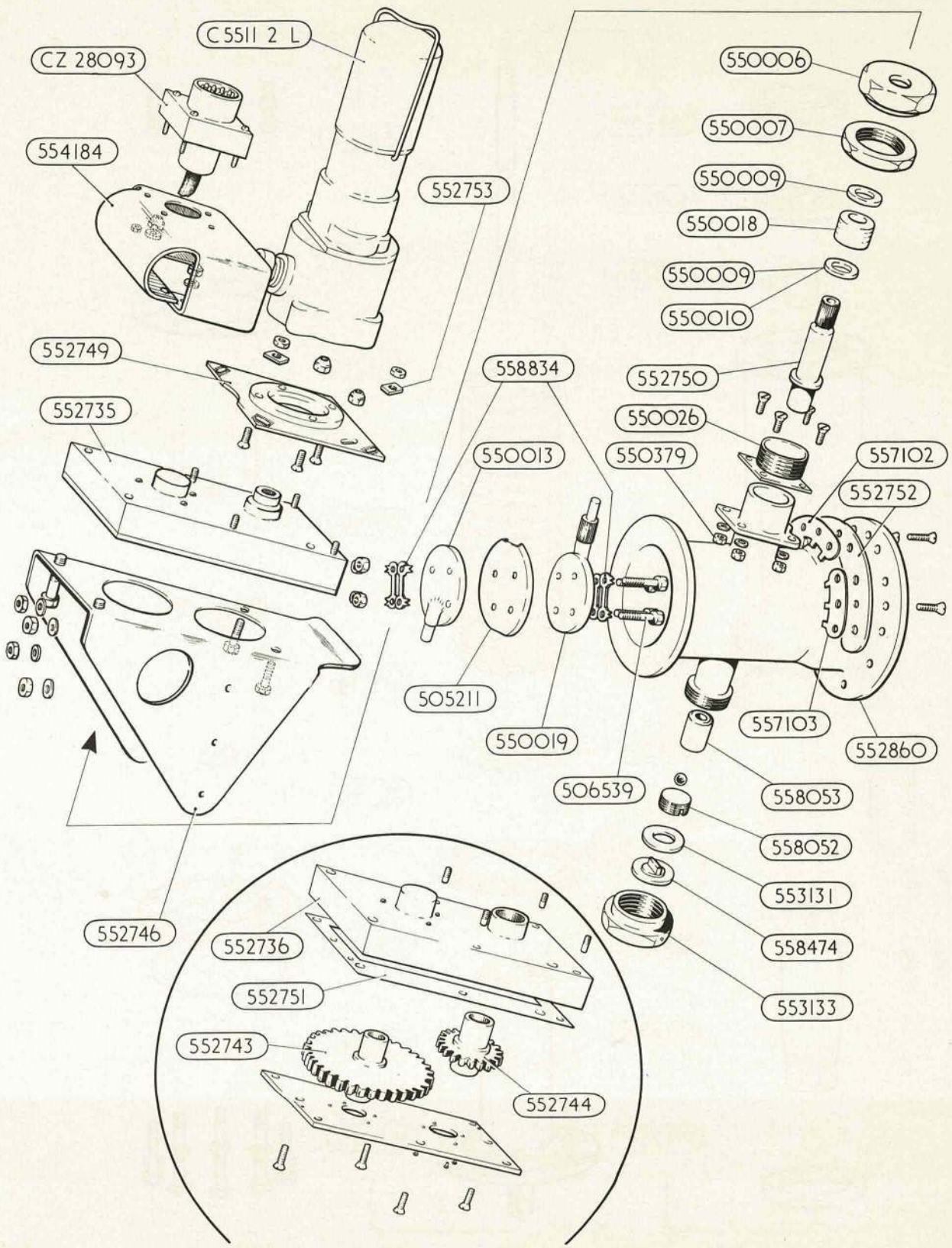
AUTOMATIC FLOW CONTROLLER & SHUT OFF VALVE

PLATE C6



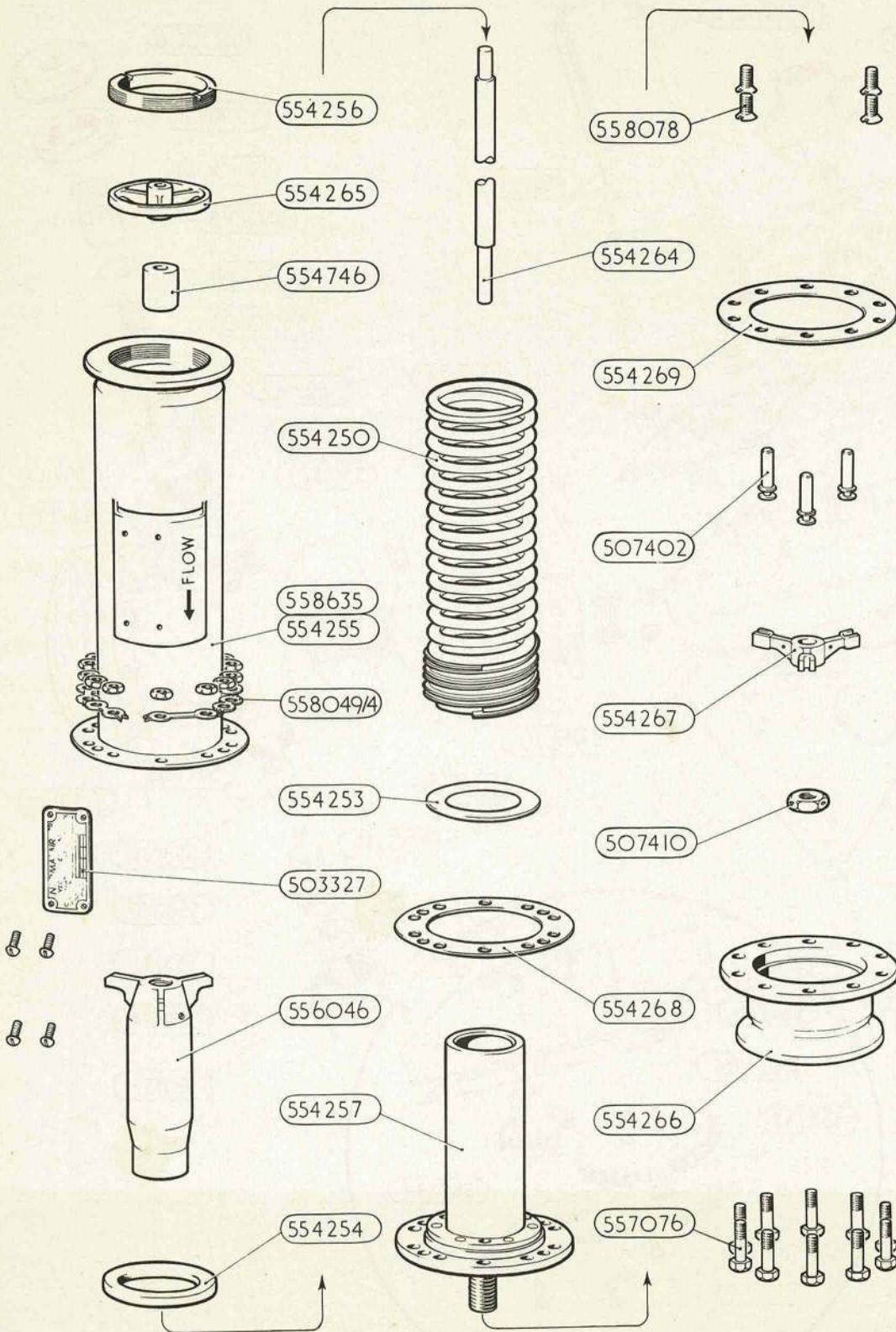
ASSEMBLIES, VARIOUS

PLATE C 7

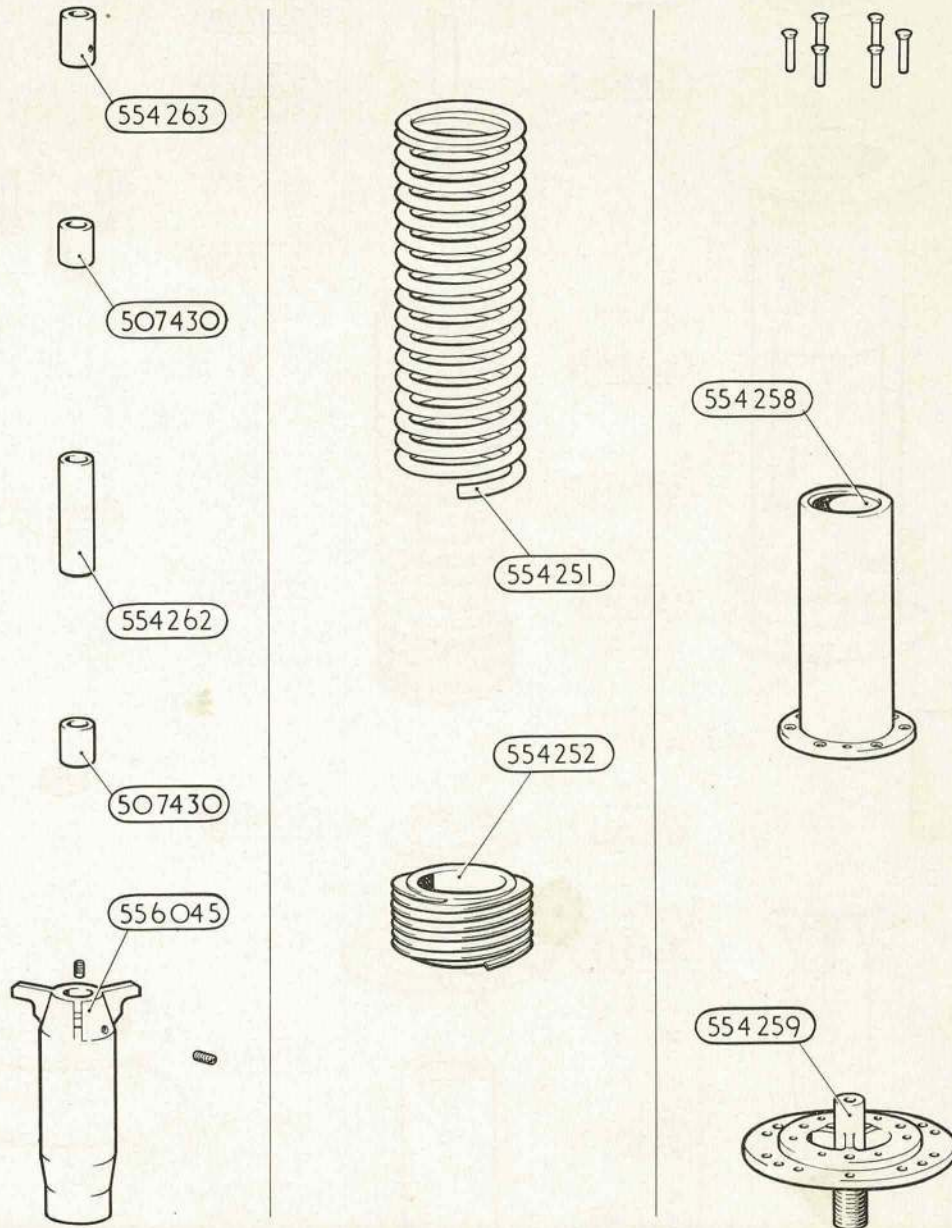


ASSEMBLIES, VARIOUS

PLATE. C 8

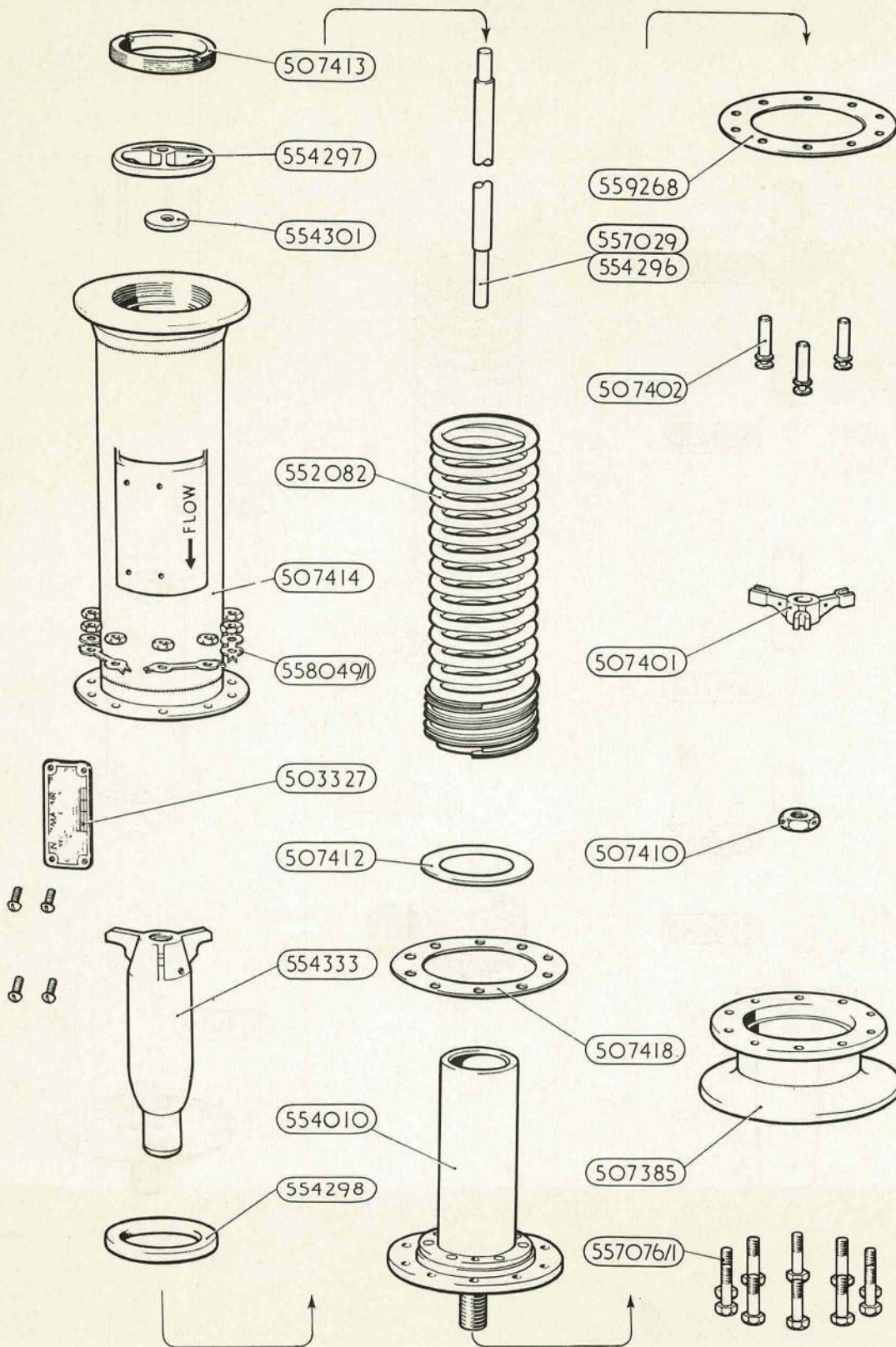


CONTROLLER, AUTOMATIC FLOW

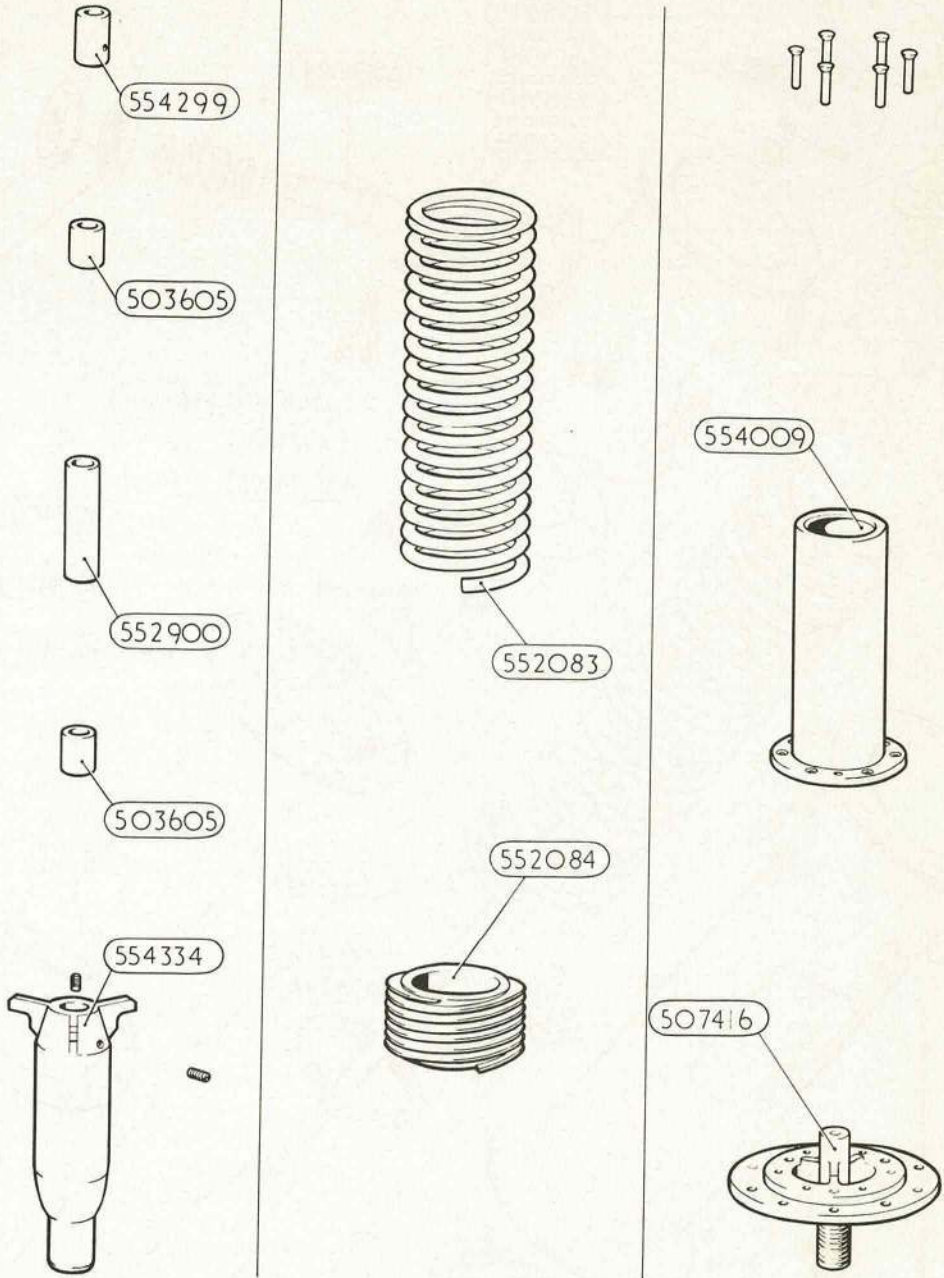


ASSEMBLIES VARIOUS

PLATE.C10

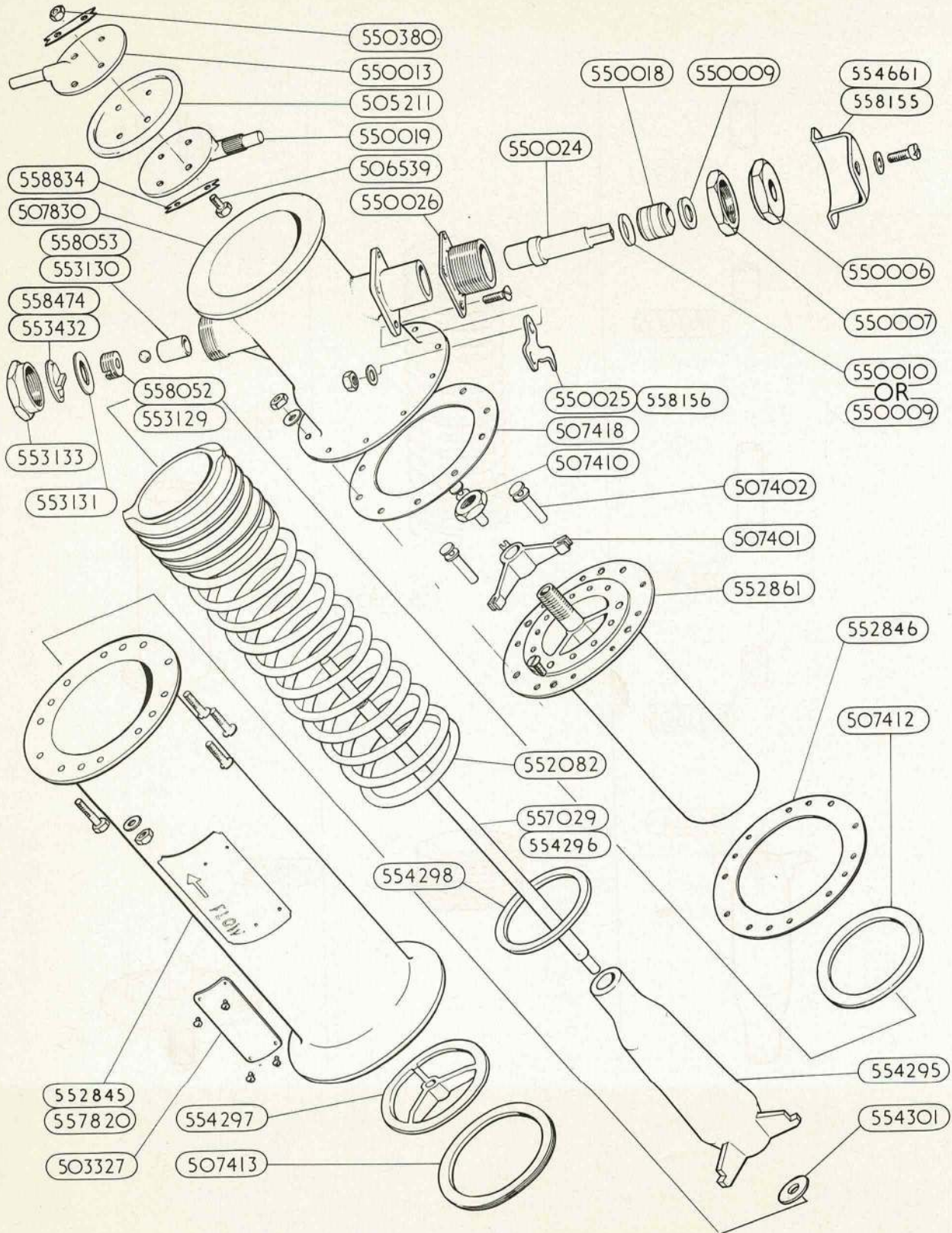


CONTROLLER. AUTOMATIC FLOW

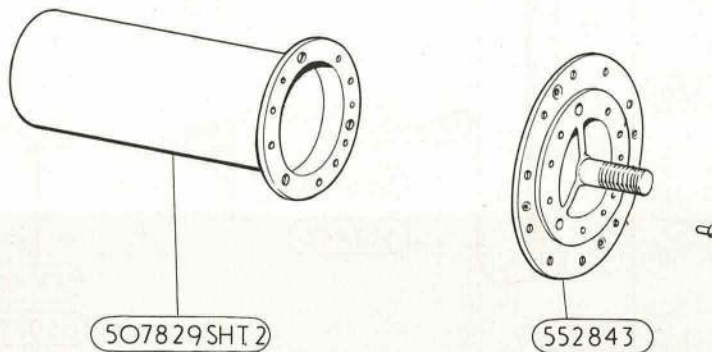
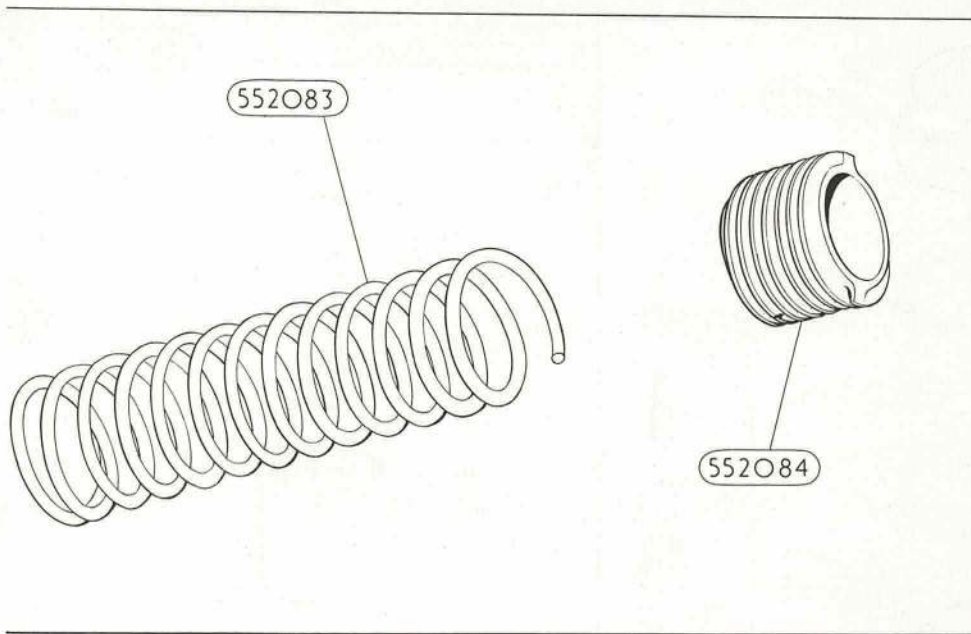
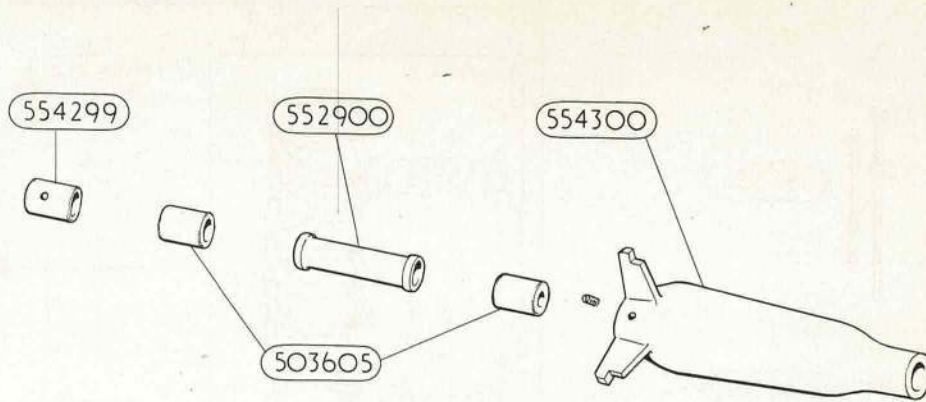


ASSEMBLIES VARIOUS

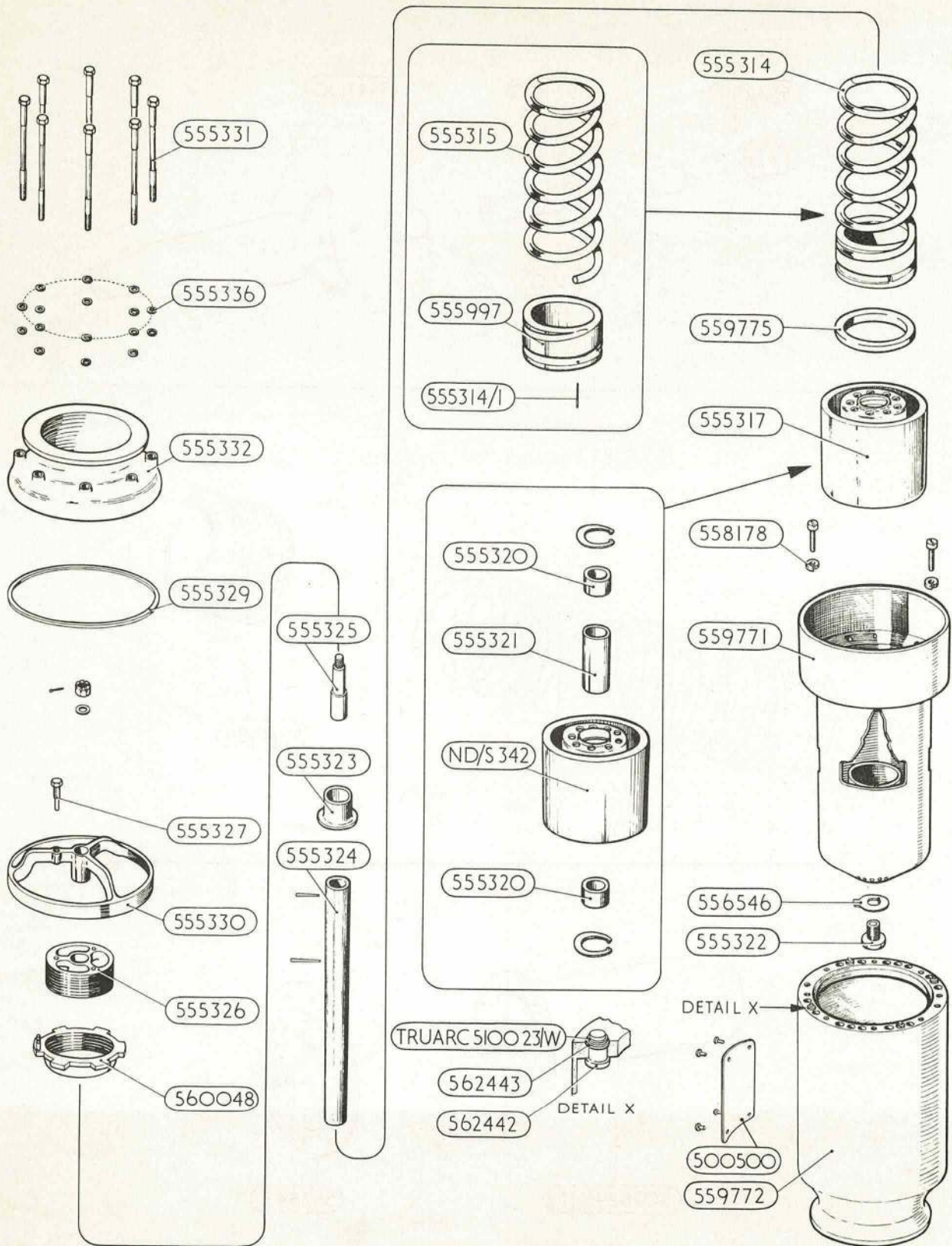
PLATE C12



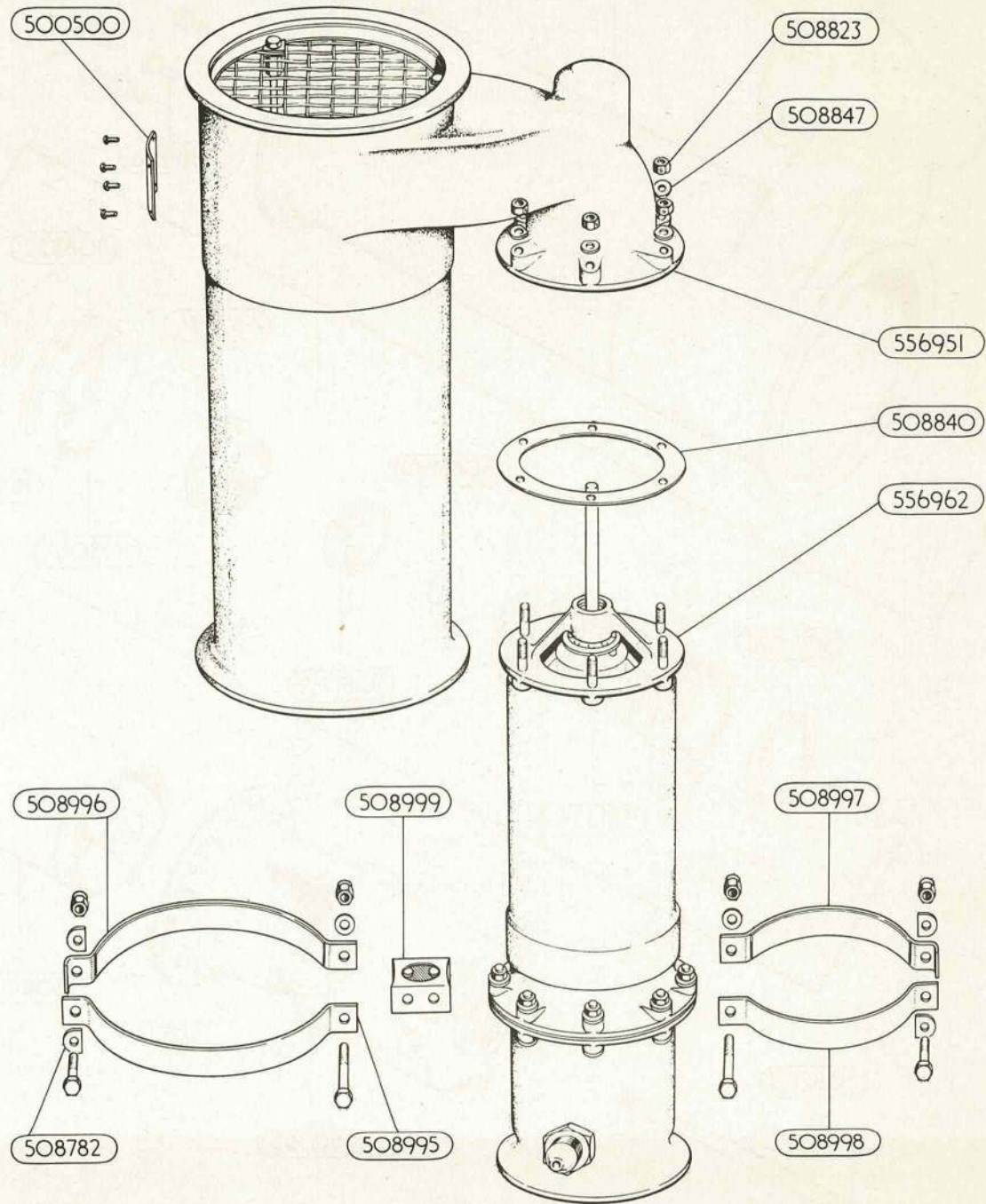
CONTROLLER, AUTOMATIC FLOW AND SHUT OFF VALVE



ASSEMBLIES VARIOUS

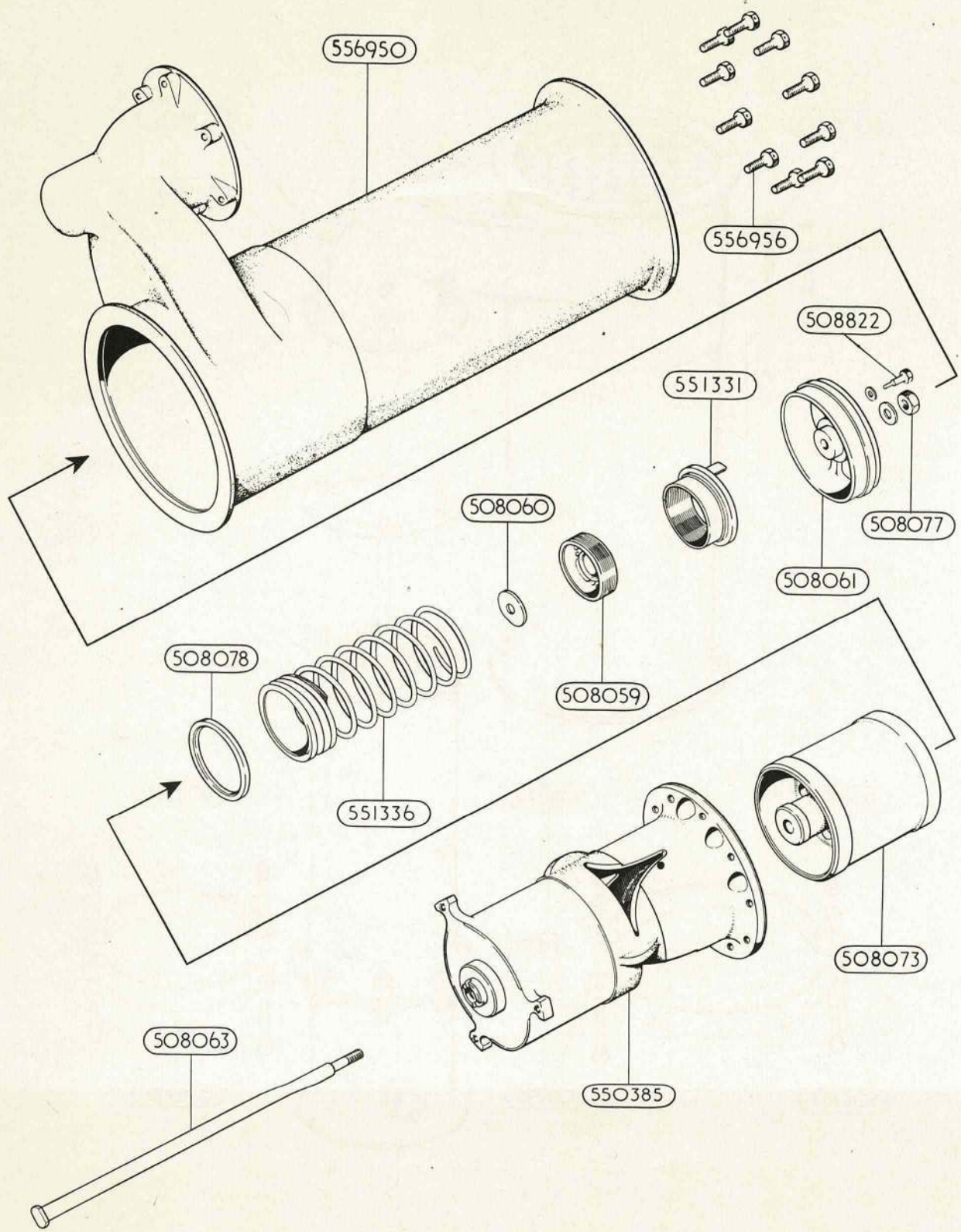


CONTROLLER, AUTOMATIC FLOW



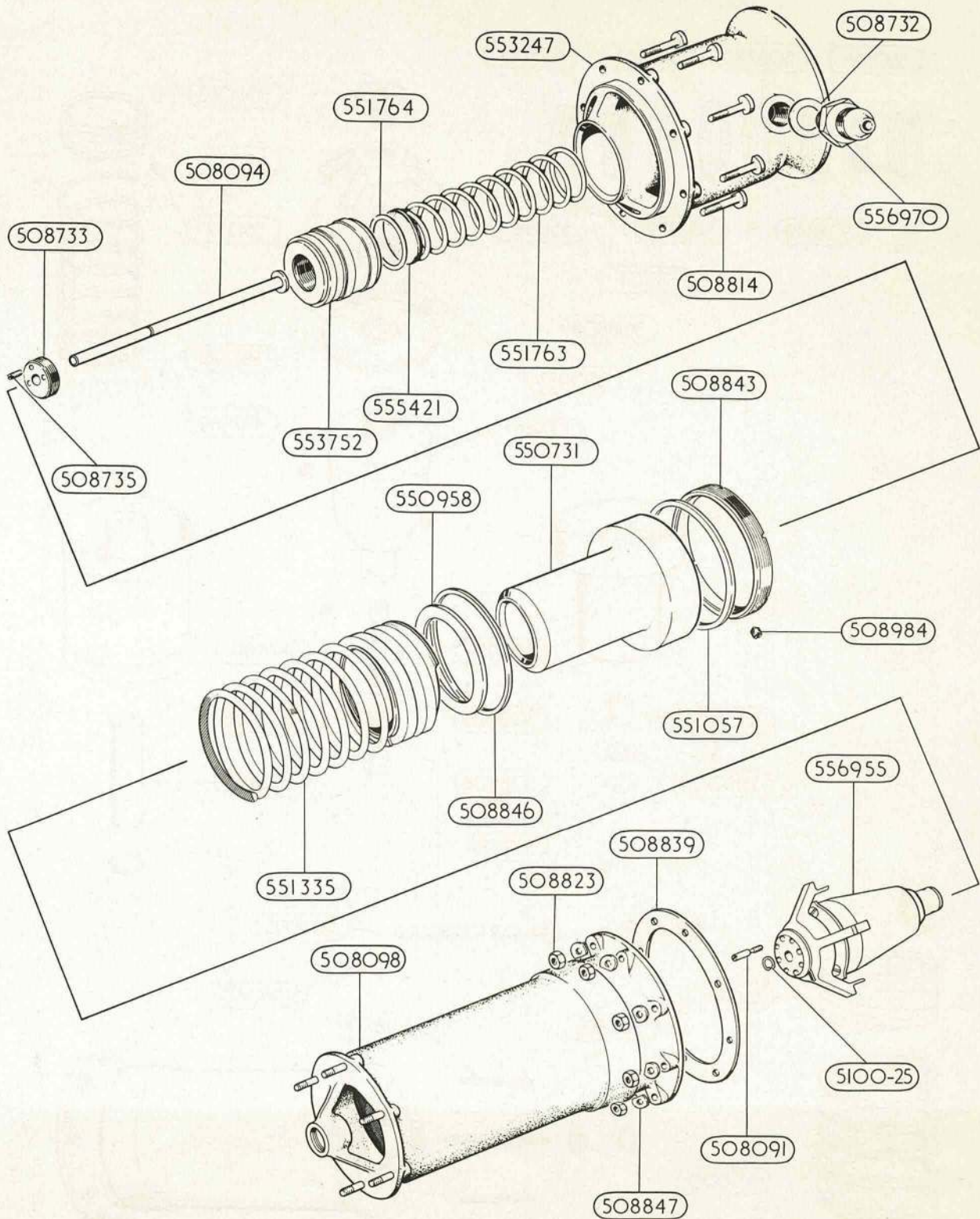
CONTROLLER, AUTOMATIC FLOW

PLATE C 16



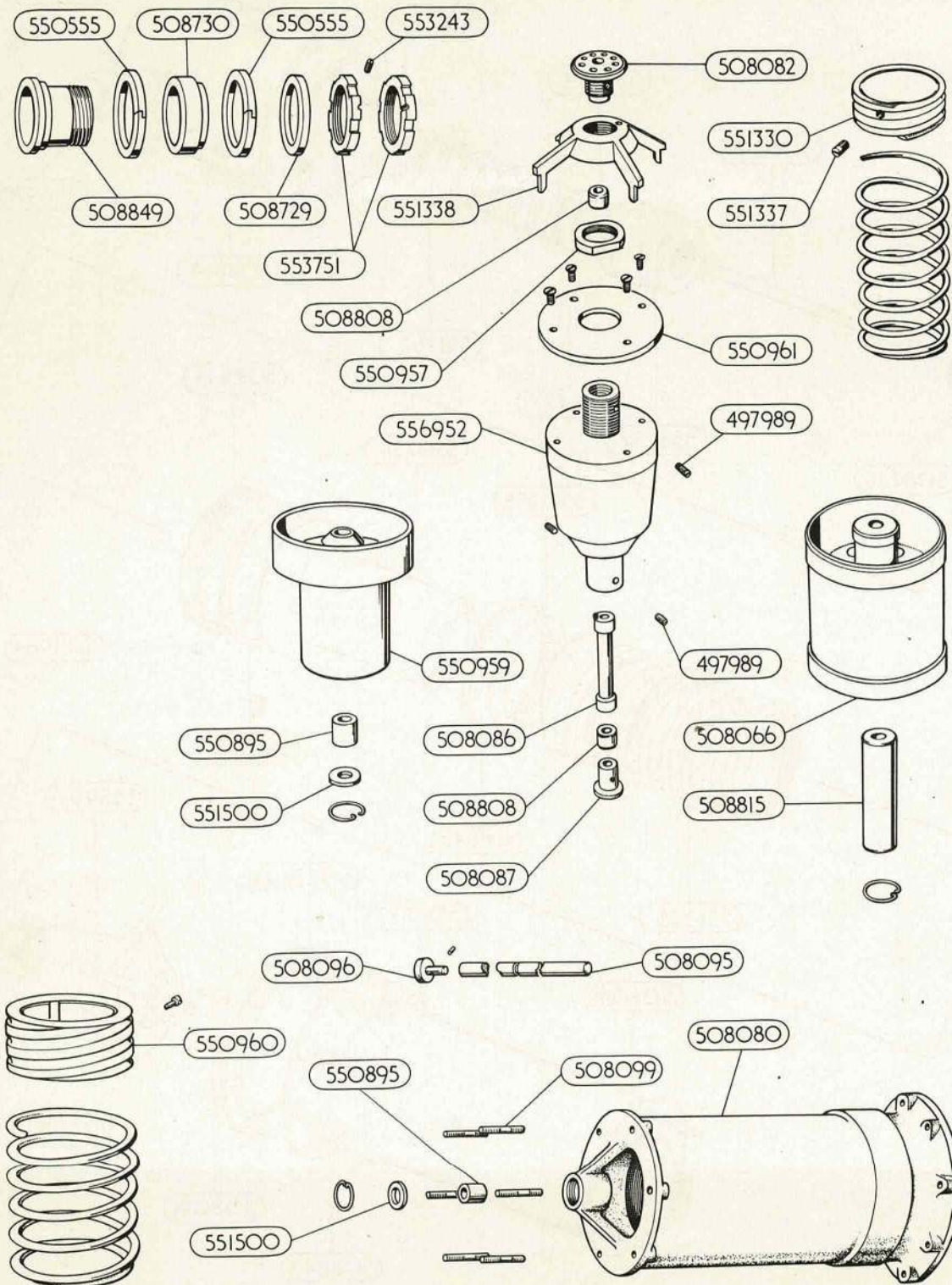
ASSEMBLIES, VARIOUS

PLATE C17

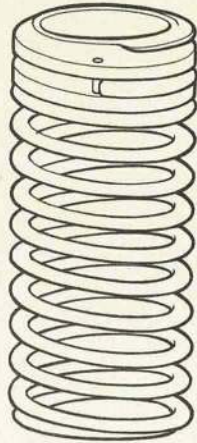


ASSEMBLIES, VARIOUS

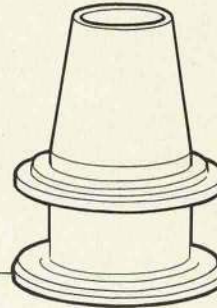
PLATE C18



ASSEMBLIES, VARIOUS



553112

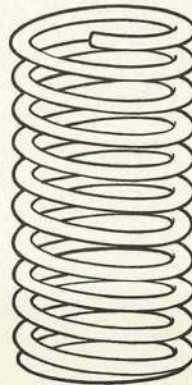
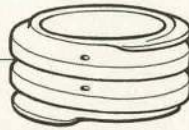


554541



553143

553094



553111

ASSEMBLIES VARIOUS

