

VALVES,
TEMPERATURE CONTROL

TYPE / APPLICABILITY

Section CC — VALVES, TEMPERATURE CONTROL

ACCESSORY :-		VALVE, TEMPERATURE CONTROL 513010															
AIRCRAFT	MK	No. OFF	MK	No. OFF	MK	No. OFF	MK	No. OFF	MK	No. OFF	MK	No. OFF	MK	No. OFF	MK	No. OFF	
VULCAN	1	1	2	1													
		VALVE, TEMPERATURE CONTROL 512410															
SEA VIXEN		1															
		VALVE, TEMPERATURE CONTROL 517490															
SCIMITAR		1															

VALVES, TEMPERATURE CONTROL

Ref. No.	Part No.	Description	No. Off	Matl. Spec.	CL. OF ST.			Plate No.	
					1	2	3		M.R.
976	513010	VALVE, TEMPERATURE CONTROL	1	—	A			CC 1	
		Spares for :—							
		BELLOWS, complete } Alternatives	1	—				CC 1	
		BELLOWS, complete }	1	—				CC 1	
		556561	BOLT, bellows attachment to pillars and attachment of valve seat and outlet trunk to casing.	12	S.80				CC 1
	28W/14456	SP11/B	Washer	AR	—	C			
		28W/12664	SP14/B	Washer	AR	—	C		
		553909	CASING, valve	1	S.S.				CC 1
		553914	GASKET, sealing at attachment of valve seat and outlet trunk to casing (PRE. AMDT. 4BN).	2	HALLITE				CC 1
		553914	GASKET, sealing, at attachment of valve seat to outlet trunk (AMDT. 4BN).	1	HALLITE				CC 1
		558172	GASKET, sealing, at attachment of valve seat to casing (AMDT. 4BN).	1	HALLITE				CC 1
		558173	GASKET, sealing, at attachment of pipe assembly and pillars to valve seat (AMDT. 4BN).	5	HALLITE				CC 1
	28M/13243	557041	HEAD, valve	1	S.80				CC 1
		A27/AT	Nut	2	—	C			
		503327	NAMEPLATE (AMDT. 4BN)	1	L.17				CC 1
	AS.157/302	Rivet (AMDT. 4BN)	4	—					
	553912	NUT, cap, pipe attachment to outlet trunk	1	S.80				CC 1	
	556601	NUT, pillar attachment	4	S.80				CC 1	
	557039	ORIFICE, assembly	1	—				CC 1	
		Spares for :—							
	557040	BOLT, banjo, complete	1	S.S.				CC 1	
	556602	FILTER	1	S.S.				CC 1	
	553919	ORIFICE	1	S.80				CC 1	
1583	5001/37	RING, shroud retaining — TRUARC	1	—	C			CC 1	
	553920	SHROUD	1	S.80				CC 1	
	553917	WASHER, sealing orifice	1	KLING				CC 1	
	556603	WASHER, filter seating	1	S.100				CC 1	
28W/9436805	557569	PILLAR, bellows support	4	S.80				CC 1	
	SP11/C	Washer	4	—	C				
	553921	PIPE, complete	1	—				CC 1	
	558217	PLATE, mounting (AMDT. 4BN)	1	L.70				CC 1	
	559486	SEAT, valve (MOD. 11BN)	1	DTD.197				CC 1	
	556267	SEAT, valve (PRE. MOD. 11BN)	1	S.80				CC 1	
	553904	TRUNK, outlet	1	S.80				CC 1	
	557570	WASHER, at attachment of pillars to bellows	AR	BS.407				CC 1	
	553911	UNION, special	1	S.80				CC 1	
	553916	WASHER, sealing, at attachment of union to outlet trunk and attachment of pipe to orifice.	3	KLING				CC 1	
	553917	WASHER, sealing, at cap nut	1	KLING				CC 1	
	556562	WASHER, at attachment of valve seat and outlet trunk to casing.	8	BSS.899				CC 1	

Ref. No.	Part No.	Description					No. Off	Matl. Spec.	CL. OF	Plate No.
		1	2	3	4	5			ST.	

VALVE, TEMPERATURE CONTROL

Ref. No.	Part No.	Description	No. Off	Matl. Spec.	CL. OF ST.	Plate No.
					M.R.	
		1 2 3 4 5				
1119	512410	VALVE, TEMPERATURE CONTROL, "BY PASS" 2-20" (R.N.)	1	—	A	CC 2
		Spares for:—				
	L.744	BLOCK, terminal — "BELLING & LEE"	1	—		CC 2
28D/13914	A26/3A	Bolt, 6 B.A.	3	—	C	
28M/10326	AGS.2002/A1	Nut, 6 B.A.	3	—	C	
28W/12429	SP10/A	Washer, 6 B.A.	3	—	C	
1178	498680/1	BOLT, Potentiometer and thrust pad attachment to platform (AMDT. 3BG).	7	DTD.126A	C	CC 2
28L/1167	AGS.2035/B	Washer, shakeproof (AMDT. 3BG)	7	—	C	
	553786	CASING, assembly	1	—		CC 2
		Spares for:—				
1179	553844	GUIDE	1	L.64	C	CC 3
28Q/7139	AS.157/403	Rivet	2	—	C	
1180	553843	GUIDE	1	L.64	C	CC 3
28S/14661	A31/A14	Screw, 6 B.A.	1	—	C	
28S/2774	A31/A20	Screw, 6 B.A.	1	—	C	
27FP/323	S3/150	SPRING — "DZUS"	4	—	C	CC 3
28Q/7691	AS.165/304	Rivet	8	—	C	
28W/	SP23/Z	Washer	8	—	C	
5K/2868	SP40/B8	GROMMET	1	—	C	
1202	550978	COVER, at terminal block	1	TUFNOL	C	CC 2
28D/	A26/7A	Bolt, 6 B.A.	2	—	C	
1181	553785	GASKET, attachment of valve to casing	2	DTD.416	C	CC 2
	512411/B	LEAD, 4 $\frac{1}{4}$ " long, Micro Switch to terminal block "UNIFLEX 4" (AMDT. 2BG).	6	—		
5X/6501	N.D.	LUG, wiring, at Micro Switches (AMDT. 2BG) ...	6	COPPER	C	
	553762	PAD, thrust, at Potentiometer (AMDT. 3BG) ...	1	—		CC 2
1173	553771	PLATE, front, complete	1	—	C	CC 2
	553779	PLATFORM, assembly	1	—		CC 2
		Spares for:—				
1178	498680/1	BOLT (PRE. AMDT. 3BG)	4	DTD.126A	C	
28L/11067	AGS.2035/B	Washer, shakeproof (PRE. AMDT. 3BG)	4	—	C	
	553776	INSULATOR	2	—		CC 3
	553762	PAD, thrust (PRE. AMDT. 3BG)	1	—		
	ND/S 291	PLATFORM, complete	1	—		CC 3
5CW/4615	V.3	SWITCHETTE — "BURGESS"	2	—	B	CC 3
28L/13243	A48/A	Nut, 6 B.A.	2	—	C	
28L/11066	AGS.2035/A	Washer, shakeproof	4	—	C	
28S/2774	A31/A24	Screw, 6 B.A.	4	—	C	

VALVES, TEMPERATURE CONTROL

Ref. No.	Part No.	Description	No. Off	Matl. Spec.	CL. OF ST.			Plate No.
					1	2	3	
1119	512410	VALVE, TEMPERATURE CONTROL, 'BY PASS' 2.20" (R.N.). Spares for :—	1	—			P	CC 2
	L.744	BLOCK, terminal — BELLING & LEE	1	—				CC 2
28D/13914	A26/3A	Bolt, 6 B.A.	3	—			C	
28M/10326	AGS.2002/A1	Nut, 6 B.A.	3	—			C	
28W/12429	SP10/A	Washer, 6 B.A.	3	—			C	
1178	498680/1	BOLT, potentiometer and thrust pad attachment to platform (AMDT. 3BG).	7	DTD.126A			C	CC 2
28W/1167	AGS.2035/B	Washer, shakeproof (AMDT. 3BG)	7	—			C	
	559426	CASING, assembly (MOD. 13BG)	1	—				CC 2
		Spares for :—						
	559423	BUSH, flanged (MOD. 13BG)	1	—				CC 3
28D/7019	A26/1B	Bolt (MOD. 13BG)	3	—			C	
28M/10297	AGS.2001/B2	Nut (MOD. 13BG)	3	—			C	
1179	553844	GUIDE	1	L.64			C	CC 3
28Q/7139	AS.157/403	Rivet	2	—			C	
1180	553843	GUIDE	1	L.64			C	CC 3
28S/14661	A31/A14	Screw, 6 B.A.	1	—			C	
28S/2774	A31/A20	Screw, 6 B.A.	1	—			C	
27FP/323	S3/150	SPRING — DZUS	4	—			C	CC 3
28Q/7691	AS.165/304	Rivet	8	—			C	
28W/16716	SP23/Z	Washer	8	—			C	
5K/2868	SP40/B8	GROMMET	1	—			C	
1202	550978	COVER, at terminal block	1	TUFNOL			C	CC 2
28D/	A26/7A	Bolt, 6 B.A.	2	—			C	
1181	553785	GASKET, attachment of valve to casing	2	DTD.416			C	CC 2
	512411/B	LEAD, 4-3/4" long, Micro Switch to terminal block UNIFLEX 4 (AMDT. 2BG).	6	—				
5X/6667	N.D.	LUG, wiring, at micro switches (AMDT. 9BG) ...	6	—			C	CC 2
5X/6501	N.D.	LUG, wiring, at micro switches (AMDT. 2BG) (PRE. AMDT. 9BG).	6	COPPER			C	
	553762	PAD, thrust, at potentiometer (AMDT. 3BG) (PRE. MOD. 15BG) .	1	—				
	559634	PAD, thrust, at potentiometer (MOD. 15BG) ...	1	—				CC 2
1173	553771	PLATE, front, complete	1	—			C	CC 2
	553779	PLATFORM, assembly	1	—				CC 2
		Spares for :—						
1178	498680/1	BOLT (PRE. AMDT. 3BG)	4	DTD.126A			C	
28W/11067	AGS.2035/B	Washer, shakeproof (PRE. AMDT. 3BG)	4	—			C	
	553776	INSULATOR	2	—				CC 3
	553762	PAD, thrust (PRE. AMDT. 3BG)	1	—				
	ND/S291	PLATFORM, complete	1	—				CC 3

VALVES, TEMPERATURE CONTROL

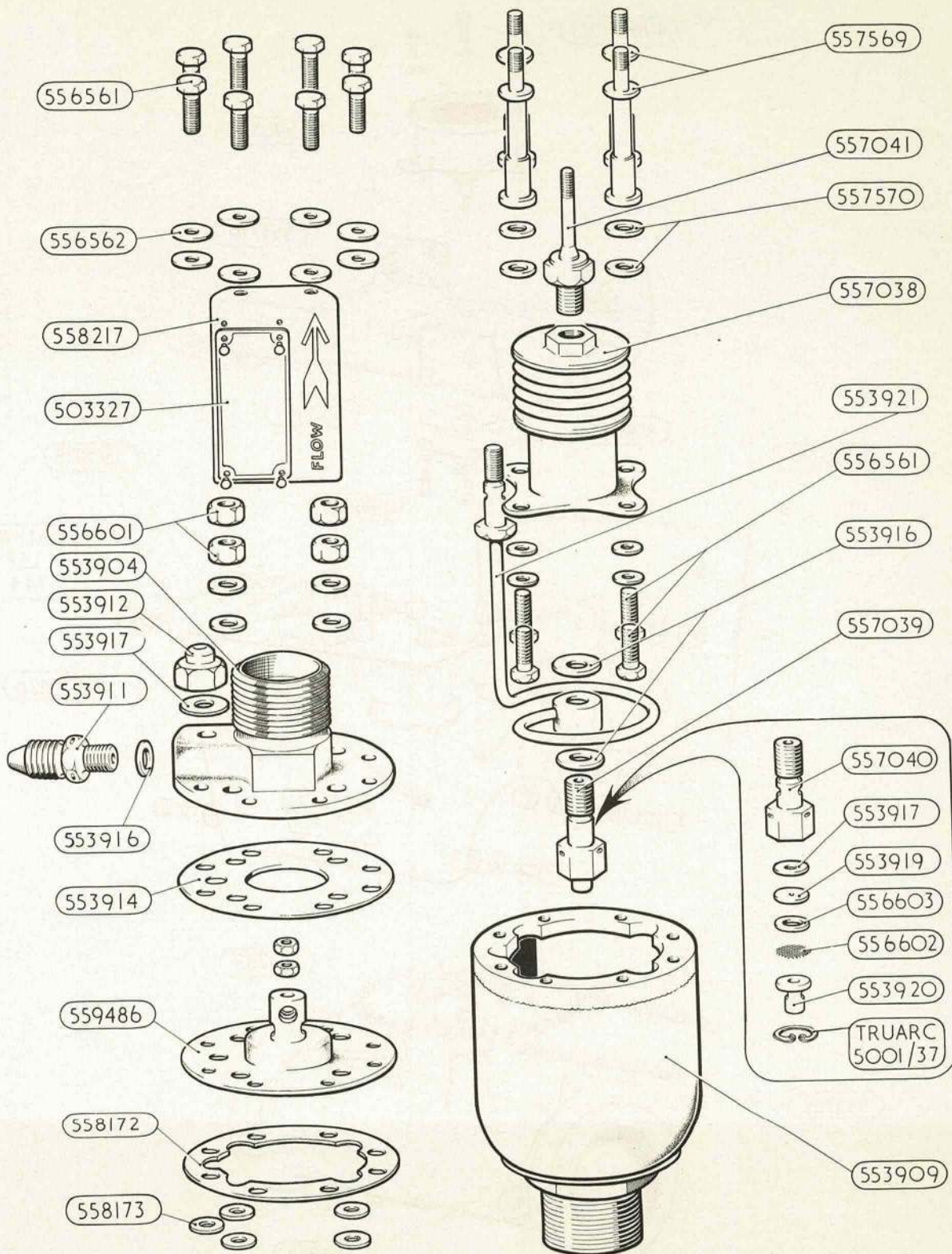
Ref. No.	Part No.	Description	No. Off	Matl. Spec.	CL. OF			Plate No.
					ST.	M.R.	L.M.	
		1 2 3 4 5						
5CW/4615	V.3	SWITCHETTE — BURGESS	2	—		B		CC 3
28M/13243	A48/A	Nut, 6 B.A.	2	—		C		
28W/11066	AGS.2035/A	Washer, shakeproof	4	—		C		
28S/2774	A31/A24	Screw, 6 B.A. (AMDT. 5BG)... ..	4	—		C		
28D/13752	A25/A4	Screw (AMDT. 10BG)	4	—		C		
28W79419464	SP13/A	Washer (AMDT. 10BG)	2	—		C		
28D/12861	A26/1C	Bolt	5	—		C		
28M/10337	AGS.2002/C2	Nut	5	—		C		
28W/9419454	SP10/C	Washer	10	—		C		
	559637	POTENTIOMETER, assembly (MOD. 15BG) ...	1	—				CC 2
	553778	POTENTIOMETER, assembly (PRE. MOD. 15BG) ...	1	—				
		Spares for :—						
	559636	BODY, potentiometer assembly (MOD. 15BG) ...	1	—				CC 3
1174	555245	BODY, potentiometer assembly (PRE. MOD. 15BG).	1	—		C		
		Spares for :—						
	555246	BODY, potentiometer, complete	1	—				CC 3
	553773	SPINDLE and key, complete (PRE. MOD. 15BG).	1	—				
	559635	SPINDLE and key, complete (MOD. 15BG) ...	1	—				CC 3
1175	553756	PLATE, mounting	1	DTD.610		C		CC 3
1176	550136	WASHER, tab (PRE. MOD. 15BG)	1	S.521		C		
	559638	WASHER, tab (MOD. 15BG)	1	S.521				CC 3
1177	553770	WINDOW	1	PERSPEX		C		CC 3
	557575	SHIM, gap adjusting at thrust pad (AMDT. 3BG).	AR	—				CC 2
5K/	A.P.	SLEEVE — HELSYN, at wiring micro switch to terminal block.	6	—		C		
5K/	B.P.	SLEEVE — HELSYN, at wiring micro switch to terminal block.	1	—		C		
5K/	D.P.	SLEEVE — HELSYN, at wiring micro switch to terminal block.	1	—		C		
	558822	VALVE, control, assembly (MOD. 8BG)	1	—				CC 2
	553846	VALVE, control, assembly (PRE. MOD. 8BG) ...	1	—				
		Spares for :—						
	N.D.	BALL, steel, 3/16" dia. — HOFFMAN	1	—				
1131	553129	BEARING, screwed (PRE. MOD. 6BG)	1	S.80		C		
	558052	BEARING, screwed (MOD. 8BG)	1	S.80				CC 4
1697	558053	BUSH, screwed (MOD. 6BG)	1	S.80		C		CC 4
1189	553754	BODY and insert assembly	1	S.80		C		CC 4
		Spares for :—						
	1191	BUSH (PRE. MOD. 6BG)	1	S.80		C		
	1190	BUSH	1	DTD.525		C		CC 5
	553797	INSERT	1	S.110				CC 5
1142	506539	BOLT	4	S.80		C		CC 4
28W/14456	SP11/B	Washer (PRE. AMDT. 9BG)	4	—		C		
	A49/B	Nut (AMDT. 14BG)	4	—				
1130	553133	CAPNUT	1	DTD.525		C		CC 4
1696	559366	DISC, valve (MOD. 12BG)	1	DTD.747		C		CC 4
1199	550362	GASKET	2	KLING		C		CC 4
1188	550826	LOCKNUT	1	DTD.525		C		CC 4
1065	550379	NUT	8	S.80		C		CC 4

VALVES, TEMPERATURE CONTROL

Ref. No.	Part No.	Description	No. Off	Matl. Spec.	CL. OF ST.			Plate No.	
					1	2	3		M.R.
1143	550380	NUT (PRE. AMDT. 14BG) ...	4	S.80				C	
28W/14456	SP11/B	Washer ...	4	—				C	
1138	550006	NUT, gland ...	1	DTD.525				C	CC 4
1197	553142	PIECE, locking (PRE. MOD. 6BG) ...	1	DTD.525				C	
	558475	PIECE, locking (MOD. 6BG) ...	1	S.80				C	CC 4
1127	550013	PLATE, valve ...	1	S.80				C	CC 4
1141	550019	PLATE, valve ...	1	S.80				C	CC 4
1193	553765	QUADRANT ...	1	BS.369				C	CC 4
1200	5100/31	RING, retaining — TRUARC ...	1	—				C	CC 4
	5100/37	RING, retaining — TRUARC ...	2	—				C	CC 4
1003	550018	RINGS, gland ...	1 set	VEEMET				C	CC 4
1194	553764	SHAFT (PRE. MOD. 8BG) ...	1	S.80				C	
	558821	SHAFT (MOD. 8BG) ...	1	S.80				C	CC 4
1187	553766	SHAFT ...	1	S.80				C	CC 4
1196	550360	SLEEVE, gland ...	1	S.80				C	CC 4
1192	550361	SLEEVE, screwed ...	1	S.110				C	CC 4
1182	553799	SPROCKET and pinion assembly ...	1	—				C	CC 4
		Spares for :—							
1186	553767	PINION ...	1	BS.369				C	CC 5
	553763	SPROCKET ...	1	DTD.610B				C	CC 5
28D/12528	A25/1B	Bolt ...	6	—				C	
28M/10327	AGS.2002/B1	Nut ...	6	—				C	
28W/9419401	SP10/B	Washer ...	6	—				C	
1183	553774	STOP ...	1	BS.269				C	CC 5
1185	555378	STOP, complete ...	1	—				C	CC 5
28M/10327	AGS.2002/B1	Nut ...	1	—				C	
28W/9419401	SP10/B	Washer ...	1	—				C	
1184	553599	TAPPET ...	2	S.80				C	CC 5
28M/13140	A27/BT	Nut ...	2	—				C	
1147	550009	WASHER, gland ...	1	BS.369				C	CC 4
1195	550813	WASHER, gland ...	1	BS.369				C	CC 4
1128	553131	WASHER, sealing ...	1	BS.899				C	CC 4
1201	553761	WASHER, thrust ...	1	BS.269				C	CC 4
	558834	WASHER, tab (AMDT. 9BG) ...	4	S.521				C	CC 4
28D/13002	A26/2C	Bolt ...	6	—				C	
28M/10339	AGS.2002/C2	Nut ...	6	—				C	
28W/9419454	SP10/C	Washer ...	12	—				C	
	AS.1167/67P	Chain, complete ...	1	—				C	

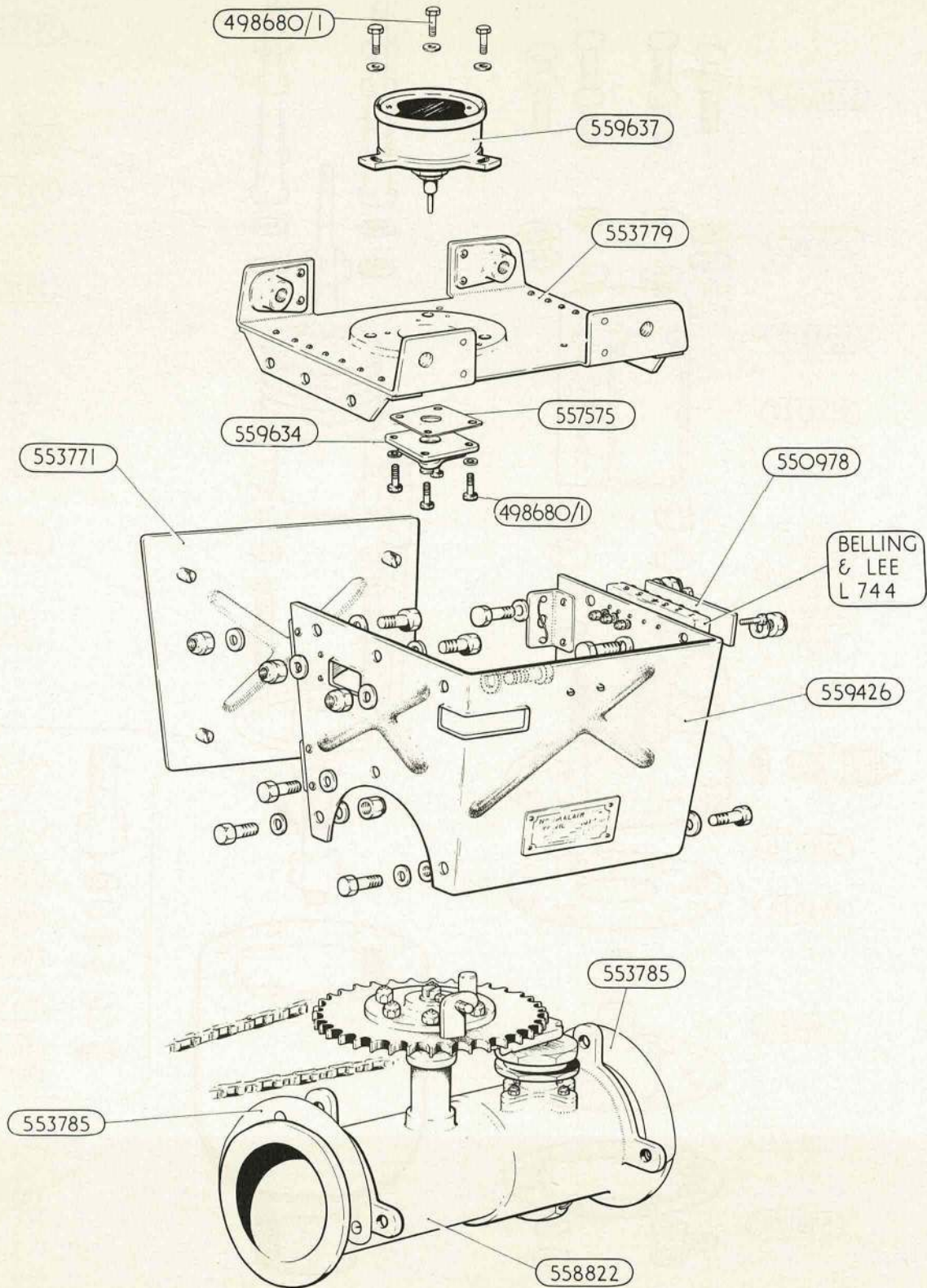
VALVES, TEMPERATURE CONTROL

Ref. No.	Part No.	Description	No. Off	Matl. Spec.	CL. OF ST.		Plate No.
					M.R.	L.M.	
		1 2 3 4 5					
1695	517490	VALVE, TEMPERATURE CONTROL (R.N.) ...	1	—	P		CC 6
		Spares for :—					
1715	558003	BODY, end	1	L.64	C		CC 6
1714	558002	BODY, centre	1	HIDUM	C		CC 6
1725	558333	BODY, valve, complete	1	—	C		CC 6
1819	558538	BODY, banjo and orifice, complete (AMDT. 19BN).	1	—	C		CC 6
28F/8215	AGS.1138/B	Washer, joint	2	—	C		
1718	558206	BOLT, securing mounting bracket	6	S.80	C		CC 6
28W/14456	SP11/B	Washer	6	—	C		
1722	558046	BRACKET, mounting assembly	1	—	C		CC 6
		Spares for :—					
	OP.15268	NAMEPLATE	1	METALCAL			CC 7
1717	558327	BUSH	1	LINK.EY9	C		CC 6
1713	558009	DIAPHRAGM, complete	1	—	C		CC 6
1829	558006	FILTER and orifice assembly (AMDT. 19BN) ...	1	—	C		CC 6
		Spares for :—					
425	504809	FILTER, complete	1	—	C		CC 7
1719	558008	GASKET	1	HALLITE	C		CC 6
1724	558018	HEAD, valve	1	S.80	C		CC 6
1723	558048	PIN	1	BS.369	C		CC 6
1720	558039	PIPE, assembly	1	—	C		CC 6
		Spares for :—					
	558039/B	PIPE, 3/16" o/d x 22 SWG	1	L.54			CC 7
28F/6344	AGS.952/A	Collar	2	—	C		
28F/5721	AGS.904/A	Sleeve, outer	2	—	C		
	5001/50	RING, retaining — TRUARC	1	—			CC 6
1712	558497	SPRING	1	S.S.	C		CC 6
1721	558020	STEM	1	S.80	C		CC 6
28M/10328	AGS.2002/C1	Nut	1	—	C		
28W/9419475	SP13/C	Washer	1	—	C		
1729	558044	VALVE, relief, assembly	1	—	C		CC 6
		Spares for :—					
1730	558040	ADJUSTER, spring	1	S.80	C		CC 7
	N.D.	BALL, 5/32" dia — HOFFMAN	1	S.S.			CC 7
	558490	BOLT, banjo	1	L.25			CC 7
1733	502147	NUT	1	DTD.126A	C		CC 7
1732	558530	SPRING	1	NIM.90	C		CC 7
1731	558041	WASHER, tab	1	S.511	C		CC 7
1716	558038	WASHER, sealing, valve stem and diaphragm ...	1	HALLITE	C		CC 7

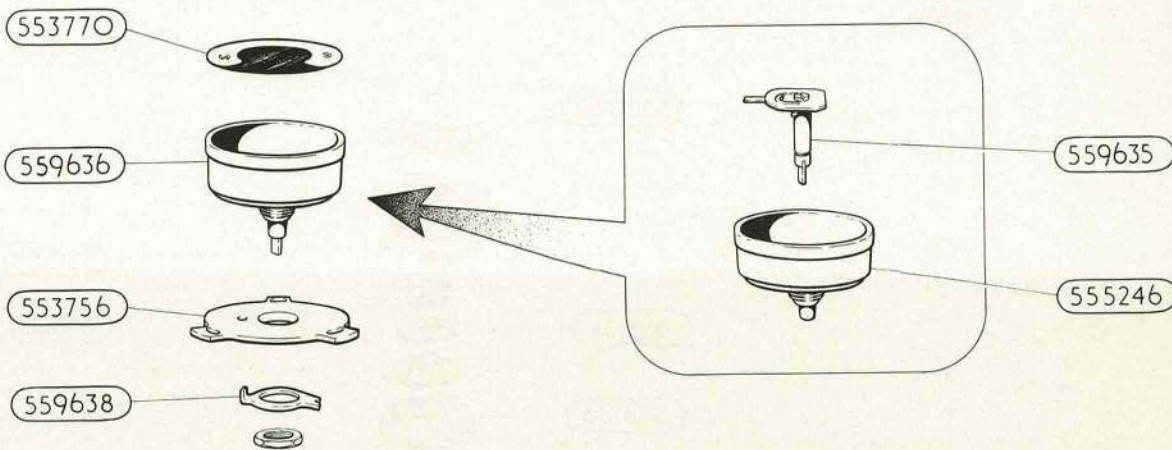
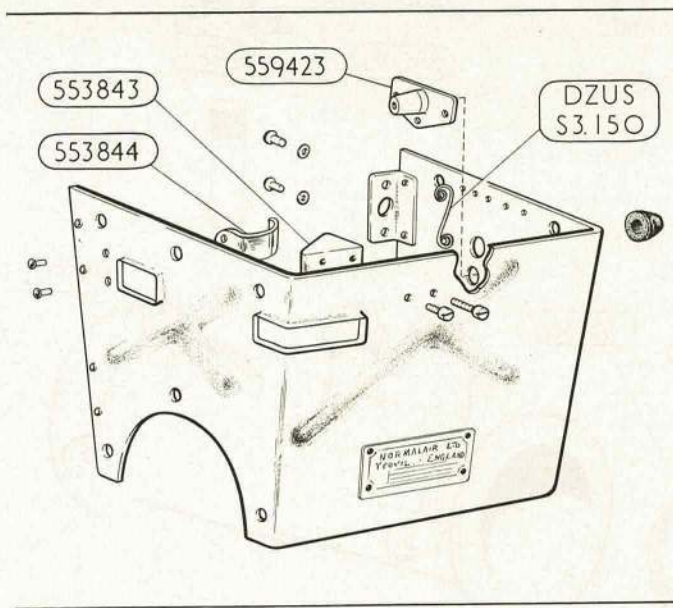
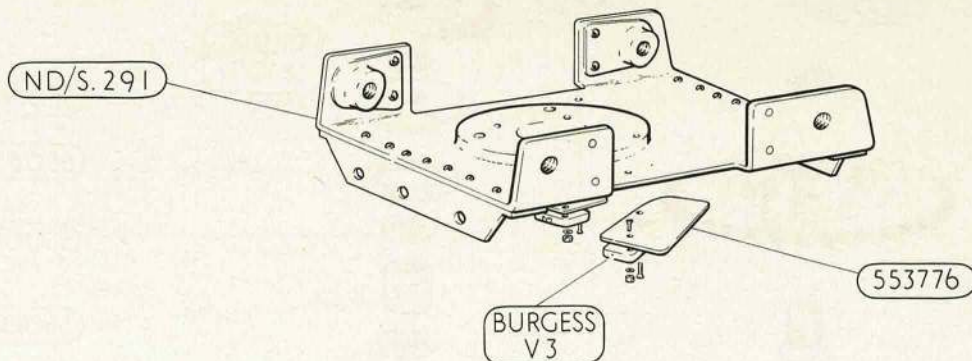


VALVE, TEMPERATURE CONTROL.

PLATE CC2

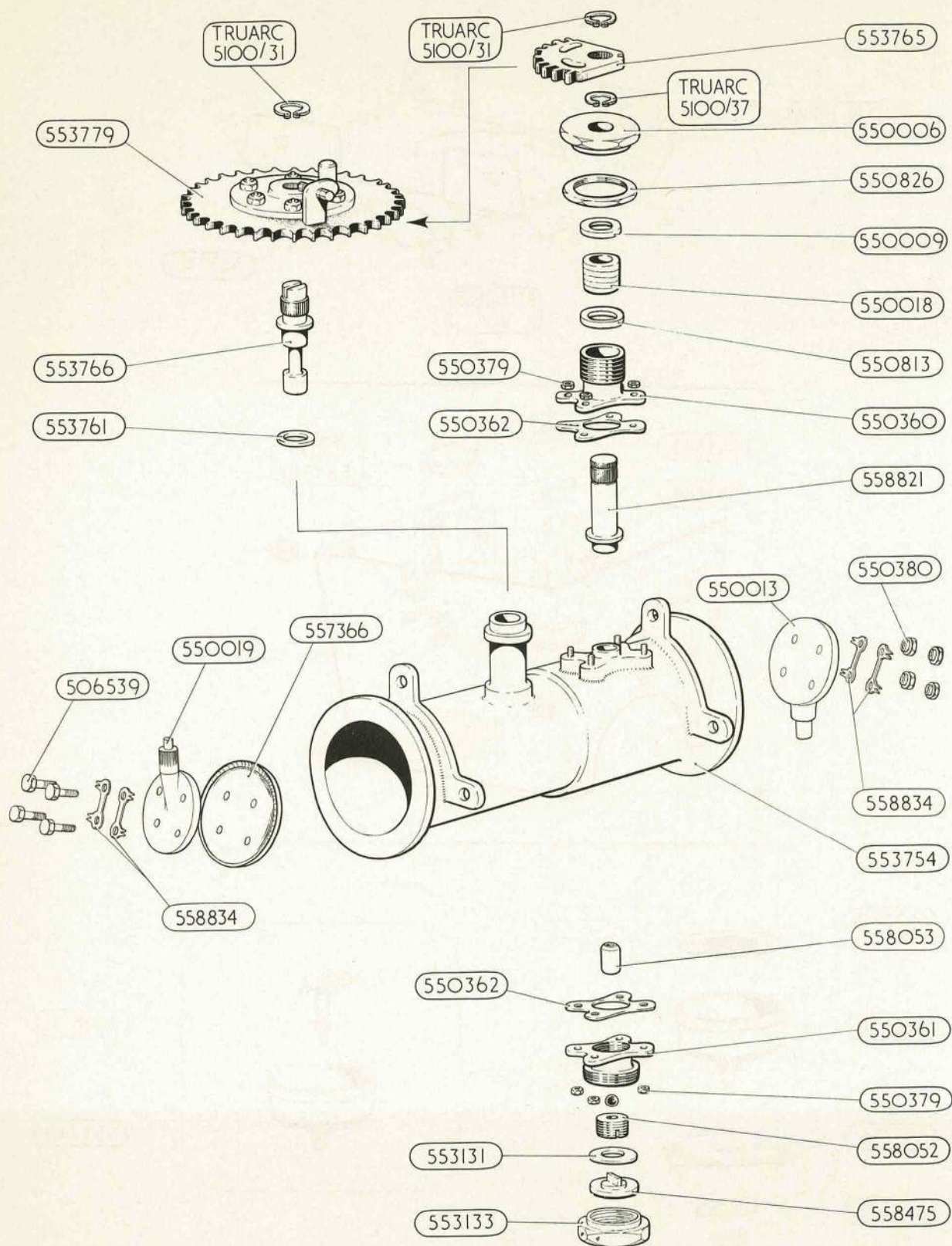


VALVE, TEMPERATURE CONTROL 'BY-PASS'



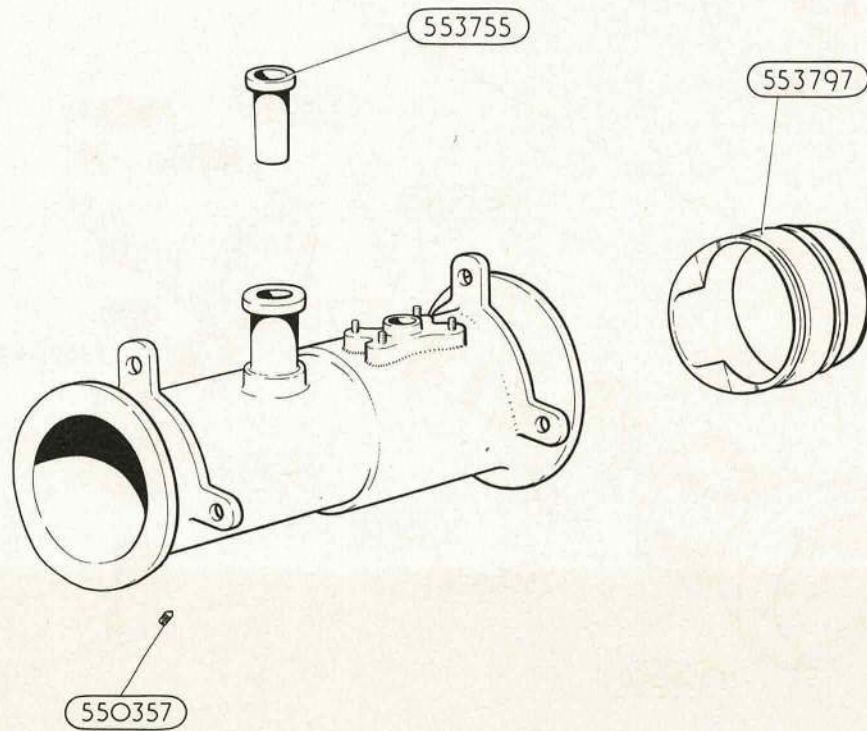
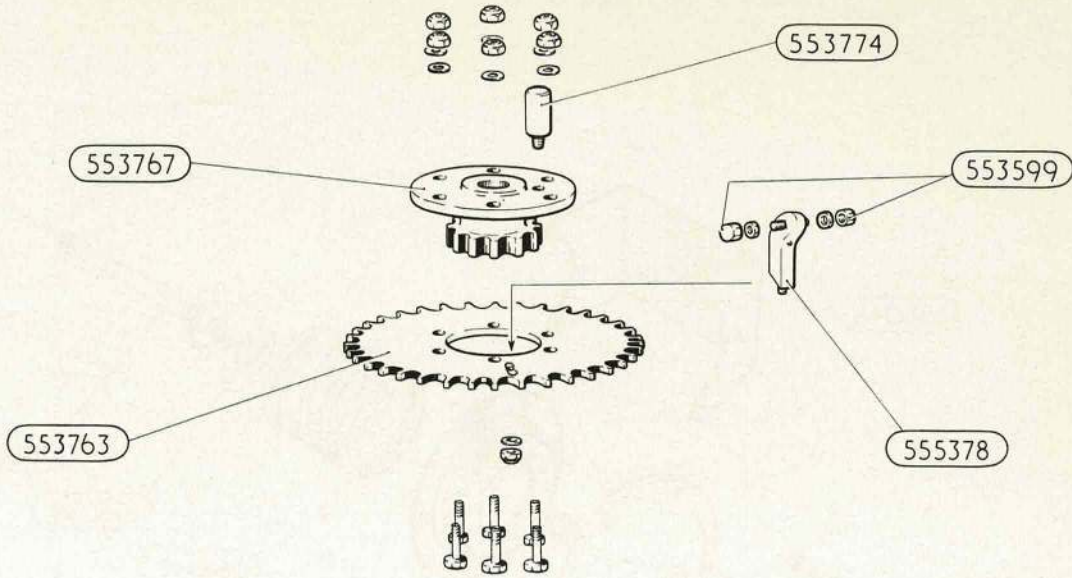
ASSEMBLIES, VARIOUS

PLATE CC4



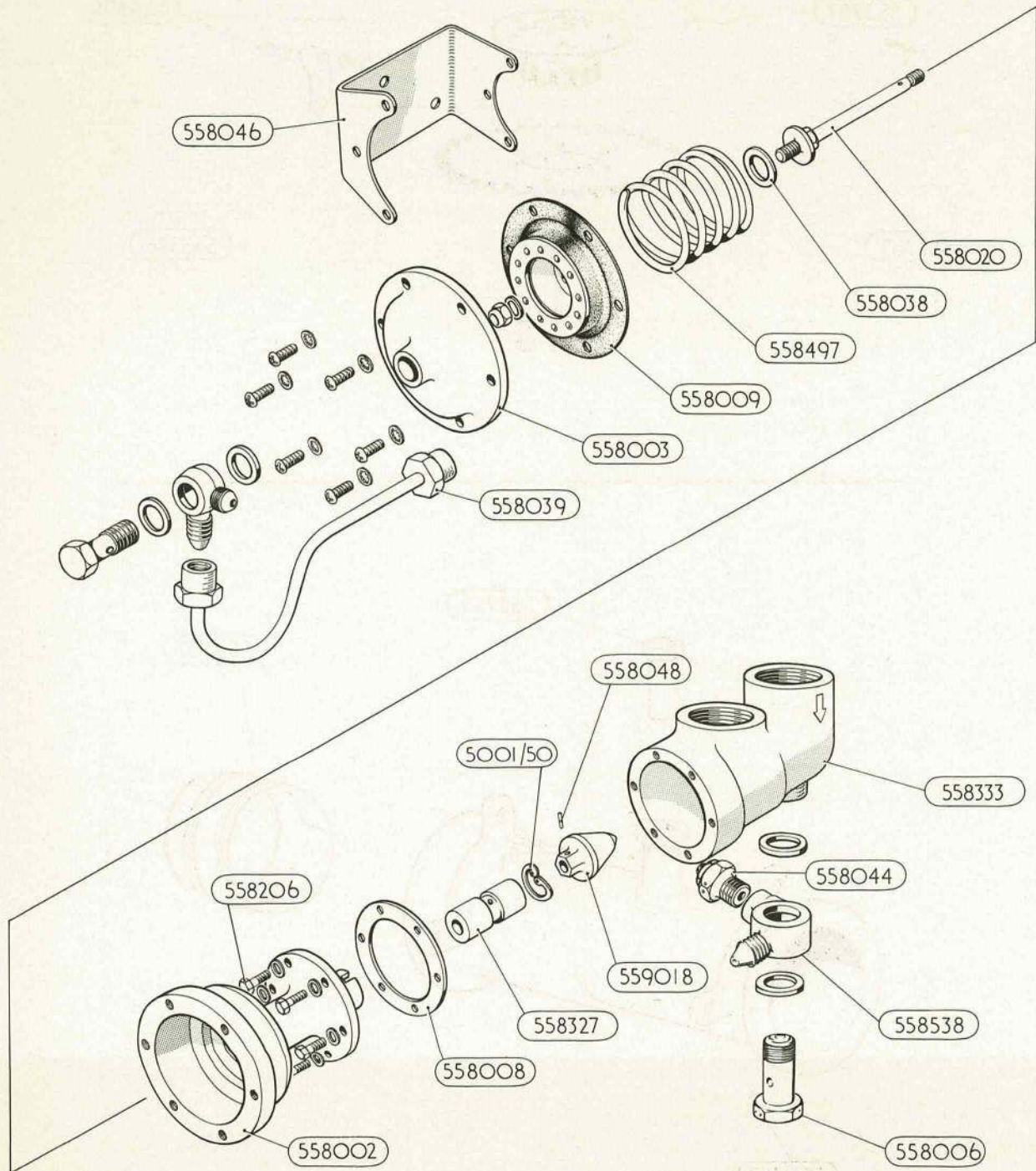
SUB ASSEMBLIES VARIOUS

PLATE CC 5

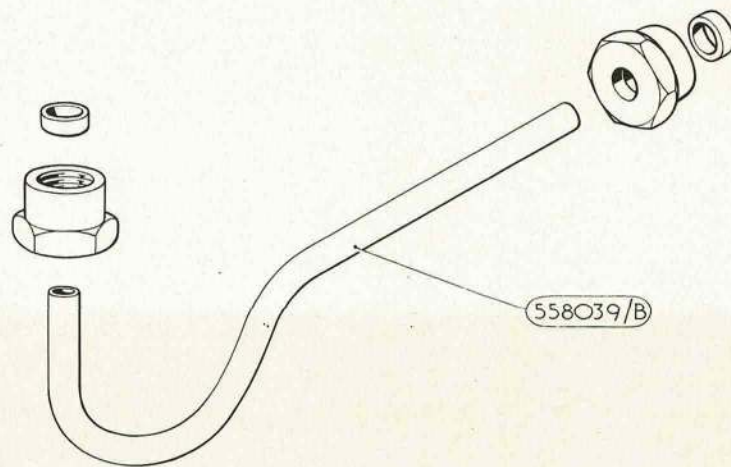
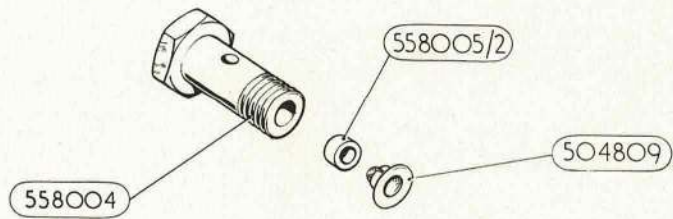
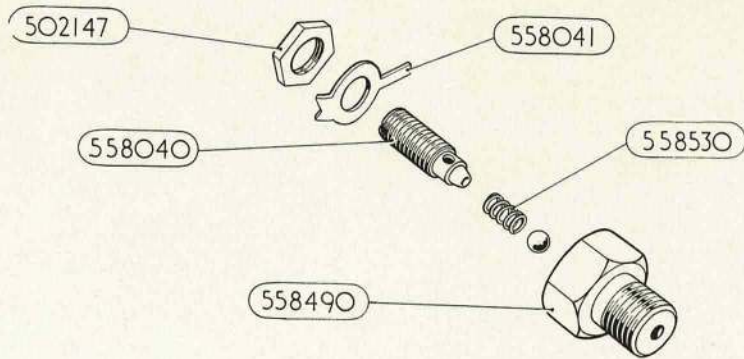


ASSEMBLIES, VARIOUS

PLATE CC6



VALVE, TEMPERATURE CONTROL



ASSEMBLIES, VARIOUS

RESTRICTED

CONFIDENTIAL

PAGE 001

SECRET

SECRET

SECRET

SECRET

SECRET

RESTRICTED

RESTRICTED



This file was downloaded
from the RTFM Library.

Link: www.scottbouch.com/rtfm

Please see site for usage terms,
and more aircraft documents.