

CONTROLLERS,  
TEMPERATURE

G





TYPE / APPLICABILITY

Section GG — CONTROLLERS, WINDSCREEN TEMPERATURE

ACCESSORY :- CONTROLLER, WINDSCREEN TEMPERATURE 512880

AIRCRAFT	MK	No. OFF	MK	No. OFF	MK	No. OFF	MK	No. OFF	MK	No. OFF	MK	No. OFF	MK	No. OFF	MK	No. OFF
SEA VIXEN		1														

CONTROLLER, WINDSCREEN TEMPERATURE 520630

SEA VIXEN		1														
-----------	--	---	--	--	--	--	--	--	--	--	--	--	--	--	--	--

--	--	--	--	--	--	--	--	--	--	--	--	--	--	--	--	--

--	--	--	--	--	--	--	--	--	--	--	--	--	--	--	--	--



CONTROLLERS, TEMPERATURE

Ref. No.	Part No.	Description	No. Off	Matl. Spec.	CL. OF ST.			Plate No.
					1	2	3	
1373	512880	CONTROLLER, WINDSCREEN TEMPERATURE (R.N.) Spares for :—	1	—			P	GG 1
	552952	BARREL ... ..	1	L.59				GG 1
1230	554069	BELLOWS, expansion, complete ... ..	1	—			C	GG 1
	552972	BODY, pump, assembly Spares for :—	1	—				GG 1
1032	503605	BEARING ... ..	2	—			C	GG 2
1417	5000/50	CIRCLIP — TRUARC ... ..	1	—			C	GG 2
	552331	SPACER ... ..	1	DTD.23/B				GG 2
	552910	BOLT ... ..	12	S.80				GG 1
	554389	BOLT ... ..	4	S.80				GG 1
28M/10296	AGS.2001/A2	Nut, 6 B.A. ... ..	4	—			C	
28W/15318	SP11/A	Washer, 6 B.A. ... ..	4	—			C	
	554116	BRACKET ... ..	2	DTD.166				GG 1
	552950	CAP, end ... ..	1	L.52				GG 1
28F/10798	AGS.1129/B	Body, banjo ... ..	1	—			C	
28F/12503	AGS.1213/B	Bolt, banjo ... ..	1	—			C	
28M/10297	AGS.2001/B2	Nut, 4 B.A. ... ..	12	—			C	
28F/12048	AGS.1186/B	Washer, sealing, 1/4" B.S.P. ... ..	2	—			C	
1225	554065	CHAMBER, diaphragm, complete ... ..	1	—			C	GG 1
28M/10297	AGS.2001/B2	Nut, 4 B.A. ... ..	9	—			C	
28M/10327	AGS.2002/B2	Nut, 4 B.A. ... ..	3	—			C	
1255	554071	CLIP ... ..	1	DTD.610			C	GG 1
28M/10297	AGS.2001/B2	Nut, 4 B.A. ... ..	1	—			C	
28S/6360	A36/B12	Screw, 4 B.A. ... ..	1	—			C	
1254	554115	CLIP ... ..	2	DTD.610			C	GG 1
1448	554370	CLIP ... ..	2	L.51			C	GG 1
1253	554209	CONTROLLER, flow ... ..	1	—			C	GG 1
28M/10296	AGS.2001/A2	Nut, 6 B.A. ... ..	1	—			C	
1241	554187	DIAPHRAGM, rolling ... ..	1	RUBBER			C	GG 1
	554186	DIAPHRAGM, centre ... ..	1	L.65				GG 1
1245	552953	DUCT, jet pump ... ..	1	—			C	GG 1
28D/13136	A26/1B	Bolt, 4 B.A. ... ..	12	—			C	
28M/10297	AGS.2001/B2	Nut, 4 B.A. ... ..	12	—			C	

CONTROLLERS, TEMPERATURE

Ref. No.	Part No.	Description	No. Off	Matl. Spec.	CL. OF ST.			Plate No.
					1	2	3	
	554067	<b>ELEMENT</b> , temperature sensing, assembly ...	1	—				GG 1
		Spares for :—						
28S/13026	552968	<b>BRACKET</b> ... ..	1	DTD.546B				GG 2
	A37/A6	Screw, 6 B.A. ... ..	4	—		C		
1226	552341	<b>FILTER</b> ... ..	1	—		C		GG 2
	554078	<b>HOUSING</b> , complete ... ..	1	L.34				GG 2
1247	552619	<b>PAD</b> ... ..	2	TUFNOL		C		GG 2
	554621	<b>PLUG</b> , safety, assembly ... ..	1	—				GG 2
		Spares for :—						
1447	554619	<b>CAP</b> , safety ... ..	1	HOYT.134		C		GG 2
	554620	<b>SCREW</b> ... ..	1	L.65				GG 2
	554618	<b>WASHER</b> ... ..	1	TUFNOL				GG 2
	554617	<b>WASHER</b> , locating ... ..	1	TUFNOL				GG 2
	552368	<b>RING</b> , spring ... ..	1	FST.18/8				GG 2
27Q/16662	SP.900B/5	<b>SEAL — DOWTY</b> ... ..	2	—		C		GG 2
	1599	<b>SPINDLE</b> , centre ... ..	1	L.64		C		GG 2
28M/10319	AGS.2002/C3	Nut, 2 B.A. ... ..	1	—		C		
28W/14319	SP11/C	Washer, 2 B.A. ... ..	1	—		C		
	1246	<b>STRIP</b> , bi-metal ... ..	1	Highflex 45		C		GG 2
28M/10337	AGS.2002/A2	Nut, 6 B.A. ... ..	2	—		C		
28S/14843	A37/A14	Screw, 6 B.A. ... ..	2	—		C		
28W/15318	SP11/A	Washer, 6 B.A. ... ..	2	—		C		
	1591	<b>SEAT</b> , control valve ... ..	1	BS.249		C		GG 2
	1249	<b>WASHER</b> ... ..	1	DTD.378A		C		GG 2
	1248	<b>WASHER</b> , insulating ... ..	2	TUFNOL		C		GG 2
28S/16173	A35/B14	Screw, 4 B.A. ... ..	4	—		C		
28F/14656	AGS.1186/2	Washer, sealing, 4 B.A. ... ..	4	—		C		
	1252	<b>GASKET</b> ... ..	1	DTD.378A		C		GG 1
	1229	<b>GASKET</b> ... ..	2	DTD.378A		C		GG 1
	1446	<b>GASKET</b> ... ..	4	DTD.378A		C		GG 1
	1445	<b>GASKET</b> ... ..	1	—		C		GG 1
	1237	<b>GASKET</b> ... ..	1	—		C		GG 1
	552342	<b>JET</b> ... ..	1	S.110				GG 1
	1251	<b>LABEL</b> ... ..	1	—		C		GG 1
	534	<b>NAMEPLATE</b> ... ..	1	L.4		C		GG 1
	554633	<b>NIPPLE</b> ... ..	1	S.110				GG 1
	1238	<b>PAD</b> ... ..	1	RUBBER		C		GG 1
	1444	<b>PIPE</b> , cooling, complete ... ..	1	—		C		GG 1
	554628	<b>PIPE</b> , cooling ... ..	1	—				GG 1
28F/9501	AGS.1142/B	Nipple ... ..	1	—		C		

CONTROLLER, WINDSCREEN TEMPERATURE

Ref. No.	Part No.	Description					No. Off	Matl. Spec.	CL. OF		Plate No.
		1	2	3	4	5			ST.	M.R.	
	554066	PIPE, inlet, assembly	...	...	...	...	1	—			GG 1
		Spares for :—									
1226	552341	FILTER	...	...	...	...	1	—	C		GG 2
1228	552951	ORIFICE	...	...	...	...	1	S.80	C		GG 2
	552955	PIPE, inlet	...	...	...	...	1	T.55			GG 2
1227	552959	WASHER	...	...	...	...	1	BS.1433	C		GG 2
1244	554208	PLATE, orifice	...	...	...	...	1	DTD. <del>1711</del>	C		GG 1
1240	552958	RING, spring	...	...	...	...	1	FST.18/8	C		GG 1
1243	552956	ROD, support	...	...	...	...	1	S.80	C		GG 1
28M/10298	AGS.2001/C2	Nut, 2 B.A.	...	...	...	...	1	—	C		
28F/9429636	AGS.1186/3	Washer, sealing, 2 B.A.	...	...	...	...	1	—	C		
1236	507217	SCREW	...	...	...	...	2	M.S.	C		GG 1
28F/14656	AGS.1186/2	Washer, sealing, 4 B.A.	...	...	...	...	2	—	C		
1224	552338	SPRING	...	...	...	...	1	SP.ST.	C		GG 1
	554372	SUPPORT	...	...	...	...	1	DTD.171A			GG 1
	554185	SUPPORT, diaphragm	...	...	...	...	1	L.59			GG 1
28M/10296	AGS.2001/A2	Nut, 6 B.A.	...	...	...	...	8	—	C		
28S/6461	A35/A12	Screw, 6 B.A.	...	...	...	...	8	—	C		
28F/16140	AGS.1186/1	Washer, sealing, 6 B.A.	...	...	...	...	8	—	C		
1242	552350	SUPPORT, diaphragm, complete	...	...	...	...	1	—			GG 1
	552962	VALVE, relief, assembly	...	...	...	...	1	—			GG 1
		Spares for :—									
	552963	BODY	...	...	...	...	1	L.65			GG 2
	552967	CAP	...	...	...	...	1	L.65			GG 2
1233	552965	CORE	...	...	...	...	1	L.65	C		GG 2
1232	552964	ORIFICE	...	...	...	...	1	—	C		GG 2
1235	552966	SCREW, adjusting	...	...	...	...	1	DTD.525	C		GG 2
28M/10340	AGS.2002/E1	Nut, 1/4" B.S.F.	...	...	...	...	1	—	C		
27Q/16662	SP900B/5	SEAL — DOWTY	...	...	...	...	1	—	C		GG 2
1234	552969	SPRING, compression	...	...	...	...	1	DTD.189	C		GG 2
28S/6545	A33/B6	Screw, 4 B.A.	...	...	...	...	1	—	C		
1239	552957	WASHER	...	...	...	...	1	DTD.610	C		GG 1



CONTROLLERS, TEMPERATURE

Ref. No.	Part No.	Description	No. Off	Matl. Spec.	CL. OF ST.		Plate No.
					M.R.	L.M.	
1708	520630	<b>CONTROLLER, WINDSCREEN TEMPERATURE (R.N.).</b>	1	—		P	GG 3
		Spares for :—					
	552952	<b>BARREL</b> ... ..	1	L.59			GG 3
1230	554069	<b>BELLOWS</b> , expansion, complete ... ..	1	—		C	GG 3
	559794	<b>BODY</b> , pump assembly ... ..	1	—			GG 3
		Spares for :—					
	06/DU/12	<b>BEARING — GLACIER</b> ... ..	2	—			GG 4
	559786	<b>SPACER</b> ... ..	1	L.65			GG 4
	552910	<b>BOLT</b> ... ..	12	S.80			GG 3
	554389	<b>BOLT</b> ... ..	4	—			GG 3
28M/10296	AGS.2001/A2	Nut ... ..	4	—		C	
28W/15318	SP11/A	Washer ... ..	4	—		C	
	554116	<b>BRACKET</b> ... ..	2	DTD.166			GG 3
	552950	<b>CAP</b> , end ... ..	1	L.52			GG 3
28F/10798	AGS.1129/B	Body, banjo ... ..	1	—		C	
28F/12503	AGS.1213/B	Bolt, banjo ... ..	1	—		C	
28M/10297	AGS.2001/B2	Nut ... ..	12	—		C	
28F/10248	AGS.1186/B	Washer, bonded ... ..	2	—		C	
	559781	<b>CHAMBER</b> , diaphragm, complete ... ..	1	—			GG 3
28M/10297	AGS.2001/B2	Nut ... ..	9	—		C	
28M/10327	AGS.2002/B2	Nut ... ..	3	—		C	
	1255	<b>CLIP</b> ... ..	1	DTD.610		C	GG 3
28M/10297	AGS.2001/B2	Nut ... ..	1	—		C	
28S/6360	A36/B12	Screw ... ..	1	—		C	
	1254	<b>CLIP</b> ... ..	2	DTD.610		C	GG 3
1448	554370	<b>CLIP</b> ... ..	2	L.51		C	GG 3
	559793	<b>CONTROLLER</b> , flow ... ..	1	S.80			GG 3
28M/10296	AGS.2001/A2	Nut ... ..	1	—		C	
	1241	<b>DIAPHRAGM</b> , rolling ... ..	1	RUBBER		C	GG 3
	554186	<b>DIAPHRAGM</b> , centre ... ..	1	L.65			GG 3
	1245	<b>DUCT</b> , jet pump ... ..	1	L.A.		C	GG 3
28D/13136	A26/1B	Bolt ... ..	12	—		C	
28M/10297	AGS.2001/B2	Nut ... ..	12	—		C	

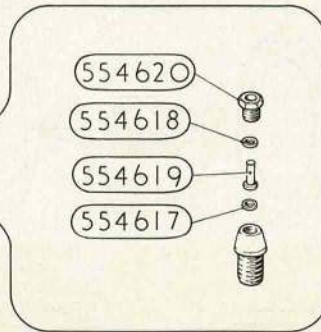
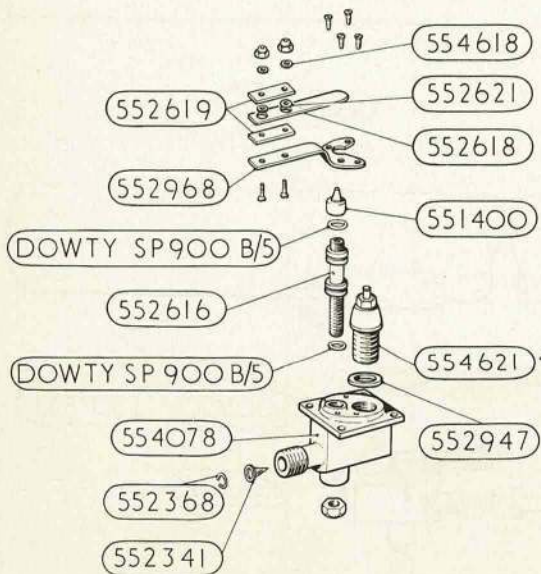
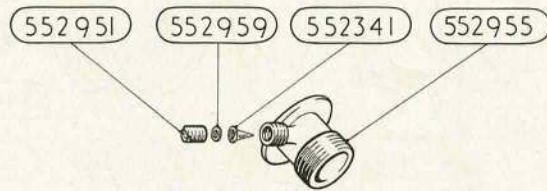
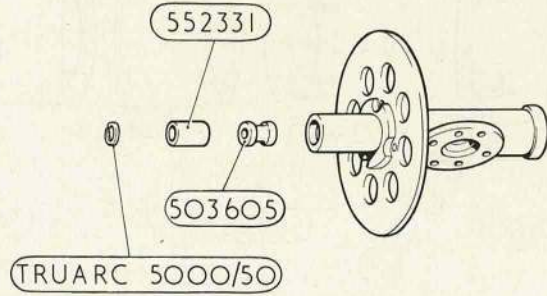
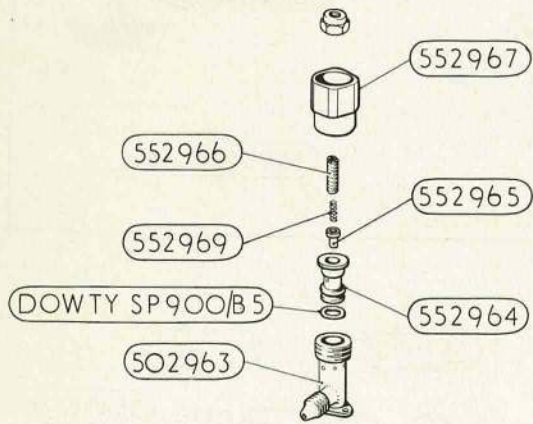
CONTROLLERS, TEMPERATURE

Ref. No.	Part No.	Description	No. Off	Matl. Spec.	CL. OF ST.			Plate No.
					1	2	3	
	554067	<b>ELEMENT</b> , temperature sensing, assembly ...	1	—				GG 3
		Spares for :—						
28S/13026	552968	<b>BRACKET</b> ... ..	1	DTD.546B				GG 4
	A37/A6	Screw ... ..	4	—		C		
1226	552341	<b>FILTER</b> , complete ... ..	1	—		C		GG 4
	554078	<b>HOUSING</b> , complete ... ..	1	L.34				GG 4
	552619	<b>PAD</b> ... ..	2	TUFNOL				GG 4
	554621	<b>PLUG</b> , safety, assembly ... ..	1	—				GG 4
		Spares for :—						
1447	554619	<b>CAP</b> , safety ... ..	1	HOYT.314		C		GG 4
	554620	<b>SCREW</b> ... ..	1	L.65				GG 4
	554618	<b>WASHER</b> ... ..	1	TUFNOL				GG 4
	554617	<b>WASHER</b> , locating ... ..	1	TUFNOL				GG 4
	552368	<b>RING</b> , spring ... ..	1	FST.18/8				GG 4
1599	552616	<b>SPINDLE</b> , centre ... ..	1	L.64		C		GG 4
28M/10319	AGS.2003/C3	Nut ... ..	1	—		C		
27QA/271	SP.900/B5	Ring, 'O' ... ..	2	—		C		
28W/14319	SP11/C	Washer ... ..	1	—		C		
1246	552618	<b>STRIP</b> , bi-metal (HIGH FLEX 45) ... ..	1	—		C		GG 4
28M/10337	AGS.2002/A2	Nut ... ..	2	—		C		
28S/14843	A37/A14	Screw ... ..	2	—		C		
28W/15318	SP11/A	Washer ... ..	2	—		C		
1591	551400	<b>SEAT</b> , control valve ... ..	1	BS.249		C		GG 4
1249	552947	<b>WASHER</b> ... ..	1	DTD.378A		C		GG 4
1248	552621	<b>WASHER</b> , insulating ... ..	2	TUFNOL		C		GG 4
28S/16173	A35/B14	Screw ... ..	4	—		C		
28F/14656	AGS.1186/2	Washer, sealing ... ..	4	—		C		
1252	552946	<b>GASKET</b> ... ..	1	DTD.378A		C		GG 3
1229	552971	<b>GASKET</b> ... ..	2	DTD.378A		C		GG 3
1446	552973	<b>GASKET</b> ... ..	4	DTD.378A		C		GG 3
1445	554521	<b>GASKET</b> ... ..	1	DTD.378A		C		GG 3
1237	554062	<b>GASKET</b> ... ..	1	DTD.378A		C		GG 3
	559783	<b>JET</b> ... ..	1	S.110				GG 3
1251	507533	<b>LABEL</b> ... ..	1	L.59		C		GG 3
534	500500	<b>NAMEPLATE</b> ... ..	1	L.4		C		GG 3
	554633	<b>NIPPLE</b> ... ..	1	S.110				GG 3
1238	552960	<b>PAD</b> ... ..	1	RUBBER		C		GG 3
1444	554630	<b>PIPE</b> , cooling, complete ... ..	1	—		C		GG 3

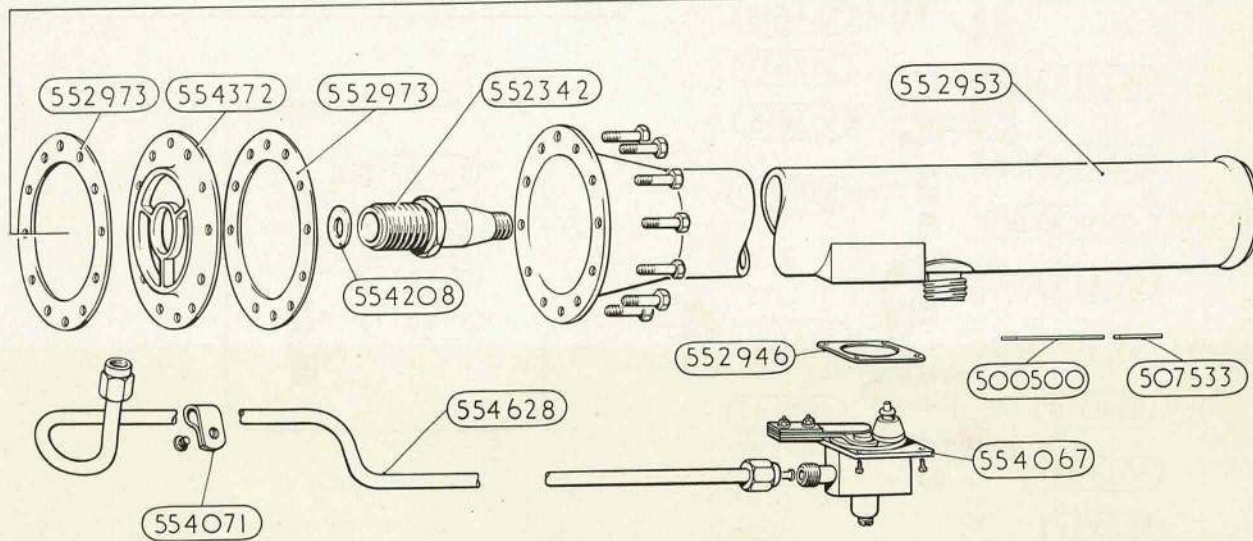
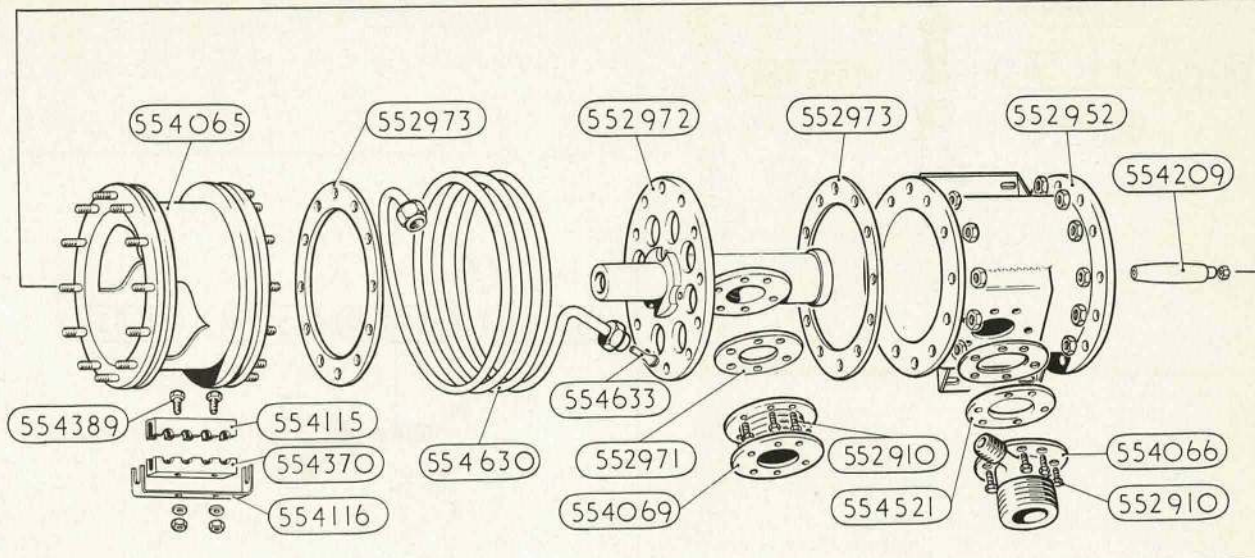
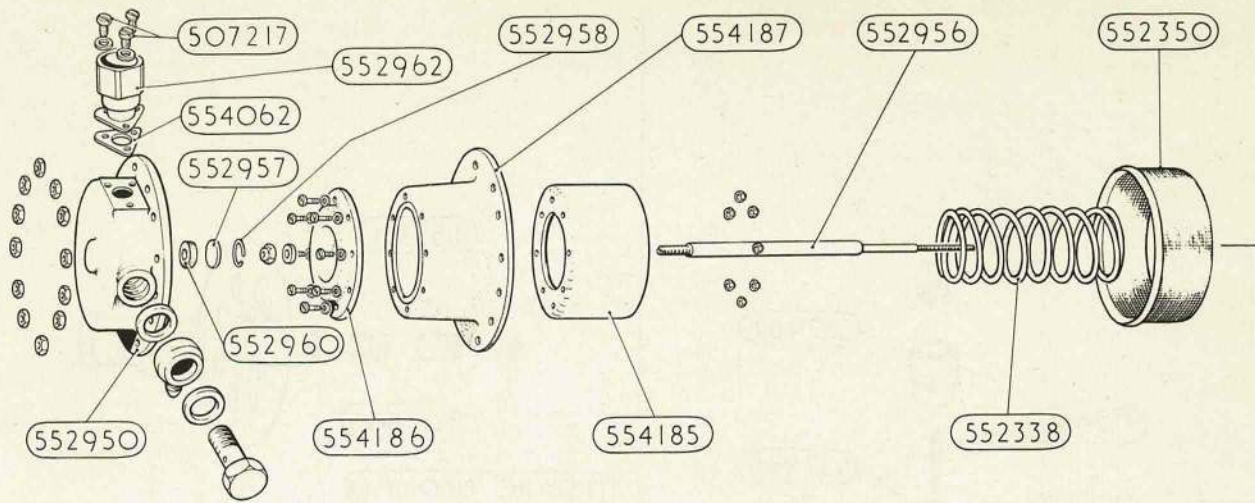
CONTROLLERS, TEMPERATURE

Ref. No.	Part No.	Description	No. Off	Matl. Spec.	CL. OF ST.			Plate No.
					M.R.	L.M.		
		1 2 3 4 5						
28F/9501	559816	PIPE, cooling ... ..	1	—				GG 3
	AGS.1142/B	Nipple ... ..	1	—			C	
	554066	PIPE, inlet assembly ... .. Spares for :—	1	—				GG 3
1226	552341	FILTER ... ..	1	—			C	GG 4
1228	552951	ORIFICE ... ..	1	S.80			C	GG 4
	552955	PIPE, inlet ... ..	1	T.55				GG 4
1227	552959	WASHER ... ..	1	BS.1433			C	GG 4
	559785	PLATE, orifice ... ..	1	DTD.171				GG 3
1240	552958	RING, spring ... ..	1	FST.18/8			C	GG 3
	559784	RING, retaining ... ..	1	L.65				GG 3
	559790	ROD, control ... ..	1	S.80				GG 3
28M/10298	AGS.2001/C2	Nut ... ..	1	—			C	
28F/9429636	AGS.1186/3	Washer, sealing ... ..	1	—			C	
1236	507217	SCREW ... ..	2	M.S.			C	GG 3
28W/14656	AGS.1186/2	Washer, sealing ... ..	2	—			C	
1224	552338	SPRING ... ..	1	SPR.ST.			C	GG 3
	554372	SUPPORT ... ..	1	DTD.171A				GG 3
	559787	SUPPORT, diaphragm, complete ... ..	1	—				GG 3
28M/10296	AGS.2001/A2	Nut ... ..	8	—			C	
28S/6461	A35/A12	Screw ... ..	8	—			C	
28F/16140	AGS.1186/1	Washer, sealing ... ..	8	—			C	
1242	552350	SUPPORT, diaphragm, complete ... ..	1	—			C	GG 3
	560565	VALVE, relief, assembly ... .. Spares for :—	1	—				GG 3
	552963	BODY ... ..	1	L.65				GG 4
	552967	CAP ... ..	1	L.65				GG 4
	560563	CORE ... ..	1	L.65				GG 4
1232	552964	ORIFICE ... ..	1	—			C	
	552966	SCREW, adjusting ... ..	1	DTD.525				GG 4
28M/10340	AGS.2002/E1	Nut ... ..	1	—			C	
27QA/271	SP.900B/5	SEAL — DOWTY ... ..	1	—			C	GG 4
1234	552969	SPRING, compression ... ..	1	DTD.189			C	GG 4
28S/6545	A33/B6	Screw ... ..	1	—			C	
1239	552957	WASHER ... ..	1	DTD.610			C	GG 3

PLATE GG2

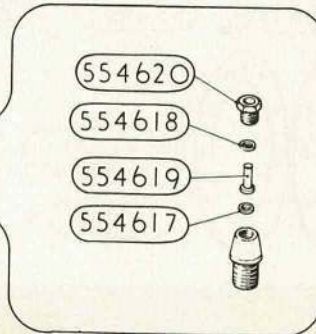
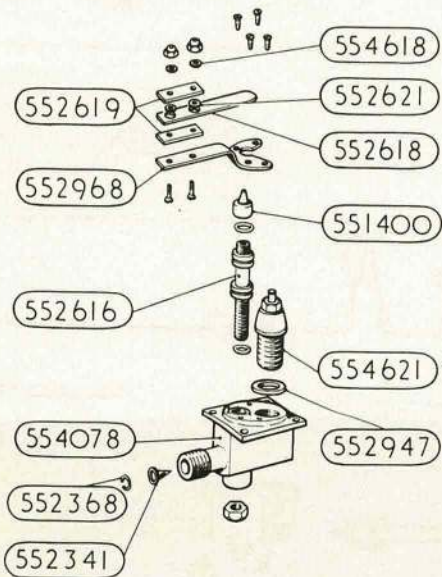
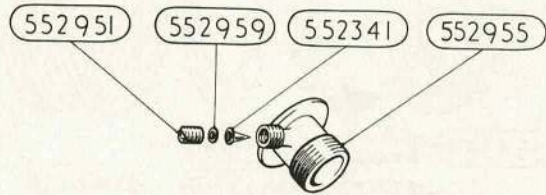
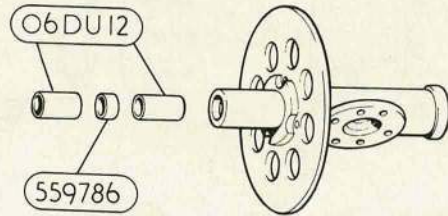
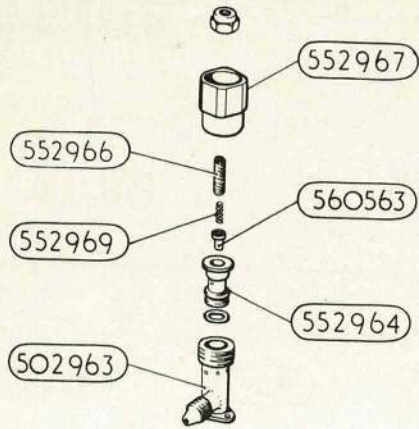


ASSEMBLIES VARIOUS



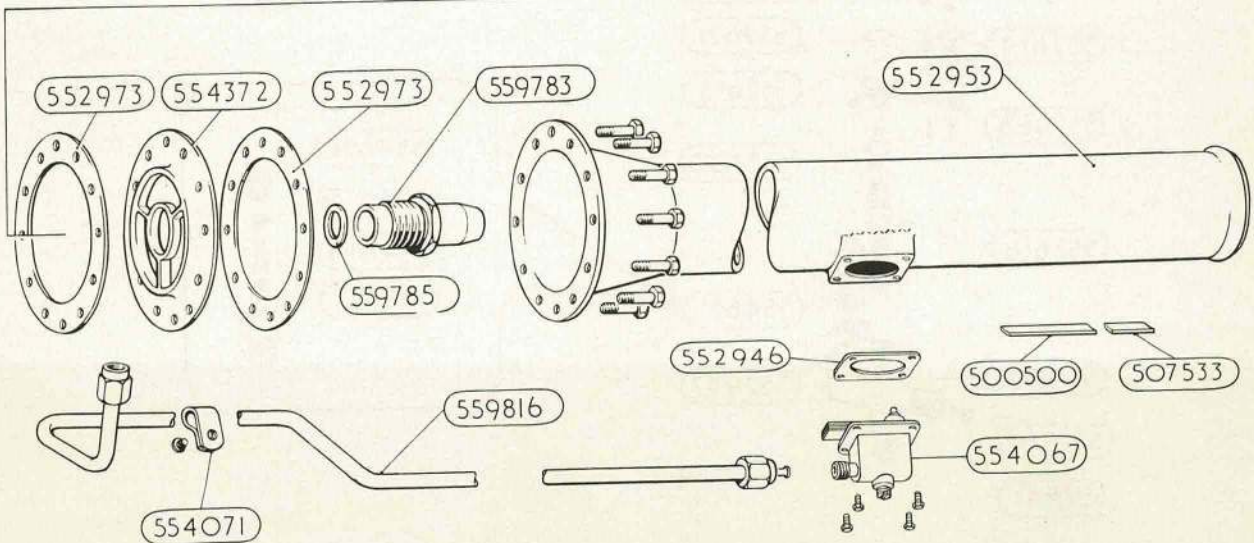
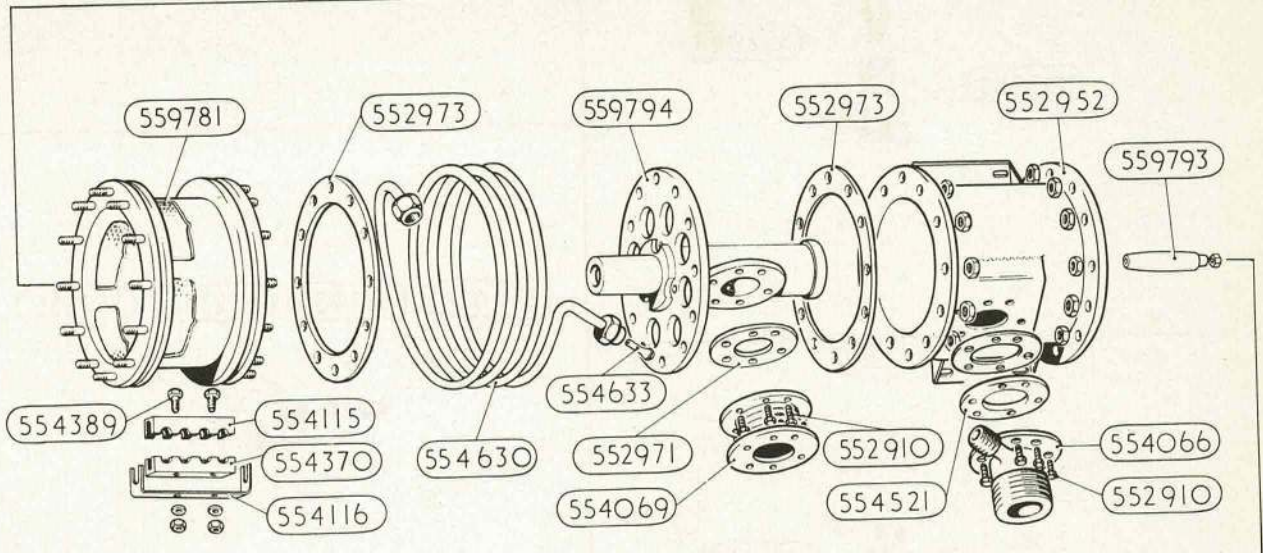
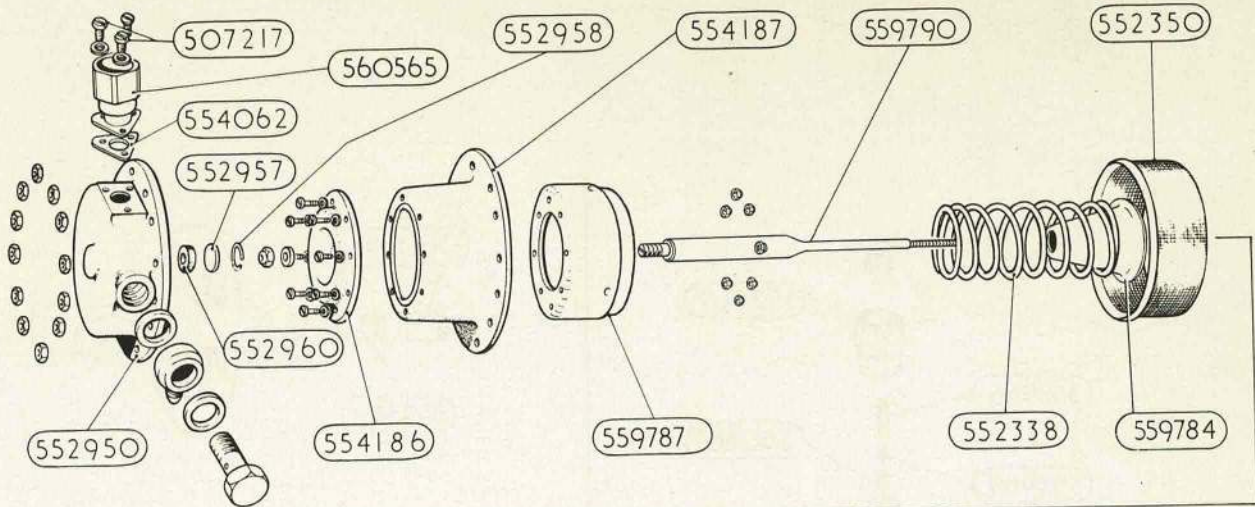
CONTROLLER, WINDSCREEN TEMPERATURE

PLATE GG4



ASSEMBLIES VARIOUS

PLATE GG3



CONTROLLER, WINDSCREEN TEMPERATURE

This file was downloaded  
from the RTFM Library.  
Link: [www.scottbouch.com/rtfm](http://www.scottbouch.com/rtfm)

Please see site for usage terms,  
and more aircraft documents.

