

COUPLINGS,
AIR VENT SUIT

HH

TYPE / APPLICABILITY

Section HH — COUPLINGS, AIR VENTILATED SUIT

ACCESSORY :- COUPLING, AIR VENTILATED SUIT, A/C UNIT 512070

AIRCRAFT	MK	No. OFF	MK	No. OFF	MK	No. OFF	MK	No. OFF	MK	No. OFF	MK	No. OFF	MK	No. OFF	MK	No. OFF
SEA VIXEN		1														
JAVELIN	7	1	8	1												
CANBERRA	9	1														
SCIMITAR		1														
GANNET		1														

COUPLING, AIR VENTILATED SUIT, GROUND UNIT 512080

SEA VIXEN		1														
JAVELIN		1														

--	--	--	--	--	--	--	--	--	--	--	--	--	--	--	--	--

--	--	--	--	--	--	--	--	--	--	--	--	--	--	--	--	--

COUPLINGS, AIR VENTILATED SUIT

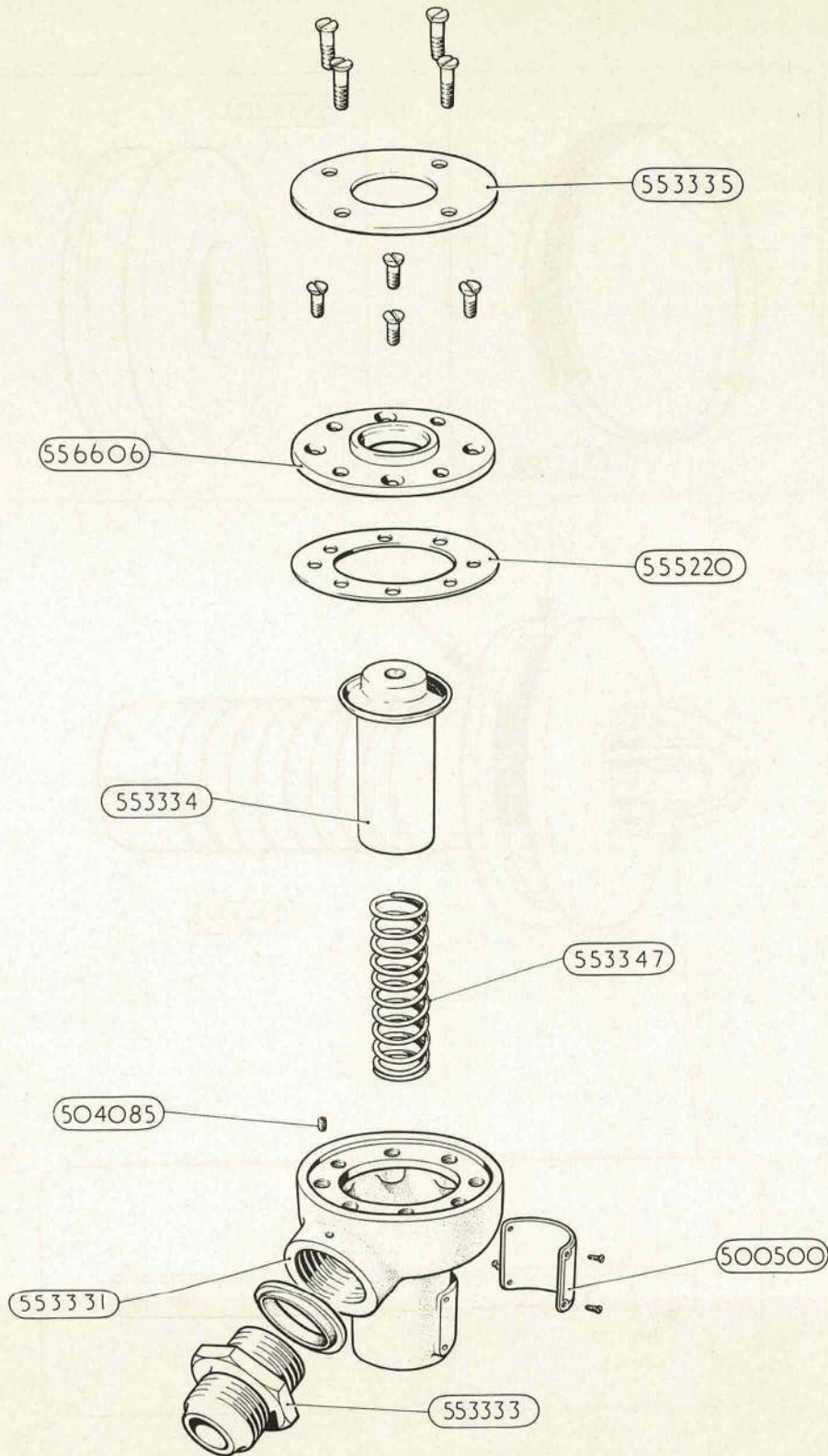
Ref. No.	Part No.	Description	No. Off	Matl. Spec.	CL. OF	Plate No.
					ST.	
		1 2 3 4 5				
969	512070	COUPLING, AIR VENTILATED SUIT A/C UNIT ...	1	—	A	HH 1
		Spares for :—				
	553331	BODY	1	DTD.727		HH 1
1356	553333	COUPLING, pipe (R.N.)	1	L.65	C	HH 1
28F/12084	AGS.1186/G	Washer, sealing	1	—	C	
971	553335	GASKET	1	DTD.560	C	HH 1
1401	555220	GASKET	1	HALLITE	C	HH 1
	553334	HEAD, valve	1	S.80		HH 1
	N.D.	INSERT, wire .375" long 2 B.A. 'CROSS'	8	—		HH 1
534	500500	NAMEPLATE (R.N.)	1	L.4	C	HH 1
28S/6634	2R 1/8"	Screw	4	—	C	
1358	504085	SCREW, grub (R.N.)	1	S.1	C	HH 1
970	556606	SEAT, valve, complete	1	—	C	HH 1
28D/8306	AS.1242/1C	Bolt, 2 B.A.	4	—	C	
1355	553347	SPRING, compression	1	DTD.215	C	HH 1
28D/8307	AS.1242/2C	Bolt, 2 B.A. (for attachment to A/C)	4	—	C	

COUPLINGS, AIR VENTILATED SUIT

Ref. No.	Part No.	Description	No. Off	Matl. Spec.	CL. OF	Plate No.
					ST.	
					M.R.	
					L.M.	
1121	512080	COUPLING, AIR VENTILATED SUIT — GROUND UNIT.	1	—	A	HH 2
		Spares for :—				
	555798	NAMEPLATE	1	BS.265		HH 2
1171	553339	SPRING, complete	3	—	C	HH 2
28Q/1919	AS.455/303	Rivet	3	—	C	
1172	553340	SEAL	1	RUBBER	C	HH 2

RESTRICTED

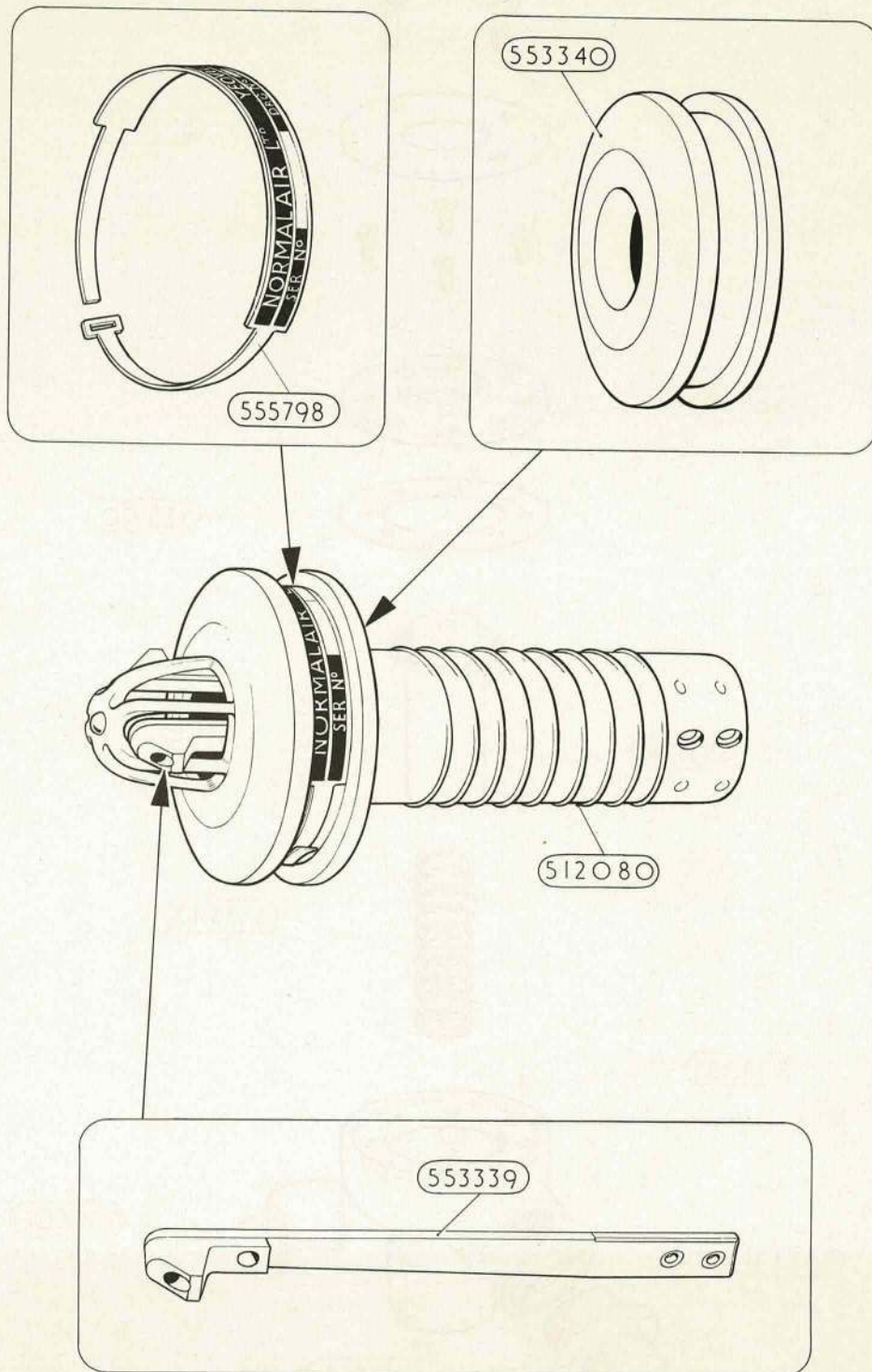
PLATEHHI



COUPLING, AIR VENTILATED SUIT A/C UNIT

RESTRICTED

PLATE HH2



COUPLING, AIR VENTILATED SUIT, GROUND UNIT

This file was downloaded
from the RTFM Library.

Link: www.scottbouch.com/rtfm

Please see site for usage terms,
and more aircraft documents.

