

VALVES,
COMBINED UNIT

TYPE / APPLICABILITY																
Section J — VALVES, COMBINED UNIT																
ACCESSORY :-		VALVE, COMBINED UNIT 509920														
AIRCRAFT	MK	No. OFF	MK	No. OFF	MK	No. OFF	MK	No. OFF	MK	No. OFF	MK	No. OFF	MK	No. OFF	MK	No. OFF
HUNTER	1	1	2	1	4	1	5	1	6	1						
VALVE, COMBINED UNIT 510250																
HUNTER	1	1	2	1	4	1	5	1	6	1						
VALVE, COMBINED UNIT 510750																
SWIFT	7	1														
VALVE, COMBINED UNIT 515770																
JAVELIN SWIFT	1 5	1 1	2	1	3	2	4	2	5	2	6	1	7	2	8	2

TYPE / APPLICABILITY

Section J — VALVES, COMBINED UNIT

ACCESSORY :- VALVE, COMBINED UNIT 493020

AIRCRAFT	MK	No. OFF	MK	No. OFF	MK	No. OFF	MK	No. OFF	MK	No. OFF	MK	No. OFF	MK	No. OFF	MK	No. OFF
CANBERRA	2	1	3	1	4	1	6	1	7	1	8	1				

VALVE, COMBINED UNIT 503640

VALIANT		1														
VICTOR		1														
VULCAN		1														

VALVE, COMBINED UNIT 503750

JAVELIN	1	1	2	1	3	1	4	1	5	1	6	1	7	1	8	1
SWIFT	5	1														
SCIMITAR		1														

VALVE, COMBINED UNIT 504000

SEA HAWK		1														
----------	--	---	--	--	--	--	--	--	--	--	--	--	--	--	--	--

TYPE / APPLICABILITY																
Section J — VALVES, COMBINED UNIT																
ACCESSORY :- VALVE, COMBINED UNIT 510680																
AIRCRAFT	MK	No. OFF	MK	No. OFF	MK	No. OFF	MK	No. OFF	MK	No. OFF	MK	No. OFF	MK	No. OFF	MK	No. OFF
VULCAN VICTOR	2 2	1 1														
VALVE, COMBINED UNIT 512910																
CANBERRA	9	1														
VALVE, COMBINED UNIT 512580																
SEA VENOM	53	1														
VALVE, COMBINED UNIT 518030																
LIGHTNING		1														

TYPE / APPLICABILITY

Section J — VALVES, COMBINED UNIT

ACCESSORY :- VALVE, COMBINED UNIT 510710

AIRCRAFT	MK	No. OFF	MK	No. OFF	MK	No. OFF	MK	No. OFF	MK	No. OFF	MK	No. OFF	MK	No. OFF	MK	No. OFF
HUNTER	7	1														
HUNTER	8	1														

VALVE, COMBINED UNIT 520200

LIGHTNING	2	1														
-----------	---	---	--	--	--	--	--	--	--	--	--	--	--	--	--	--

VALVE COMBINED UNIT 521210

HUNTER 4.1.8.1.																
-----------------	--	--	--	--	--	--	--	--	--	--	--	--	--	--	--	--

--	--	--	--	--	--	--	--	--	--	--	--	--	--	--	--	--

VALVES, COMBINED UNIT

Ref. No.	Part No.	Description	No. Off	Matl. Spec.	CL. OF			Plate No.
					ST.	M.R.	L.M.	
		1 2 3 4 5						
1395	512910	VALVE, COMBINED UNIT	1	—	A			J1
4	493020	VALVE, COMBINED UNIT	1	—	A			J1
		Spares for :—						
	493060	BELLOWS assembly (PRE. MOD. 69)	1	—				J1
		Spares for :—						
	496926	BELLOWS	1	NEO.				J2
	493062	GUIDE, diaphragm	1	S.80				J2
	493055	PLATE, aft end and guide, complete	1	—				J2
28F/8223	AGS.1130/A	Banjo	1	—	C			
28F/8221	AGS.1135/A	Bolt, banjo	1	—	C			
28S/2810	A33/A12	Screw	24	—	C			
	493051	PLATE, forward end assembly	1	—				J2
	493052	EXTENSION, end plate	1	L.40				J3
	493053	PLATE, forward end, complete	1	—				J3
28D/12528	A25/1B	Bolt	8	—	C			
28M/10327	AGS.2002/B1	Nut	8	—	C			
28W/8515	AS.470/B	Washer	8	—	C			
28S/2762	A31/A12	Screw	36	—	C			
	498620	PLATE, spring locating, complete	1	—				J2
	493058	PLATE, spring locating and ring, complete	1	—				J2
	498611	RING, external stiffening	3	DTD.126				J2
	496295	RING, internal stiffening	2	L.3				J2
	493096	SPRING, return	1	SPR.S.				J2
	400463	WASHER	2	BSS.216				J2
	550889	BELLOWS assembly (MOD. 69)	1	—				J1
		Spares for :—						
	496926	BELLOWS	1	NEO.				J2
	493062	GUIDE, diaphragm	1	S.80				J2
	493055	PLATE, aft end and guide, complete	1	—				J2
28F/8223	AGS.1130/A	Banjo	1	—	C			
28F/8221	AGS.1135/A	Bolt, banjo	1	—	C			
28S/2810	A33/A12	Screw	24	—	C			
28F/12047	AGS.1186/A	Washer	2	—	C			
	493051	PLATE, forward end assembly	1	—				J2
	493052	EXTENSION, end plate	1	L.40				J3
	493053	PLATE, forward end, complete	1	—				J3
28D/12528	A25/1B	Bolt	8	—	C			
28M/10327	AGS.2002/B1	Nut	8	—	C			
28VV/8515	AS.470/B	Washer	8	—	C			
28S/2762	A31/A12	Screw	36	—	C			
	AGS.1186/1	Washer	36	—	C			
	498620	PLATE, spring locating, complete	1	—				J2

VALVES, COMBINED UNIT

Ref. No.	Part No.	Description					No. Off	Matl. Spec.	CL. OF			Plate No.
		1	2	3	4	5			ST.	M.R.	L.M.	
	493058						1	—				J2
	498611						3	DTD.126				J2
	496295						2	L3				J2
	493096						1	SPR.S.				J2
28F/11177	AGS.1159/A						1	—		C		
28P/12587	SP9/C4						1	—		C		
28F/5721	AGS.904/A						1	—		C		
348	DDS.1092/1B						2	M.S.		C		J1
	DDS.1092/2B						12	M.S.				J1
279	DDS.1092/1C						12	M.S.		C		J1
28W/9419474	SP15/B						14	—		C		
28W/9419475	SP15/C						12	—		C		
	550048						3	S.1				J1
1380	503339						1	—		B		J1
	503927						1	S.94				J3
112	498135						1	PHR.BR.		C		J3
327	503496						1	BSS.712		C		J3
	502479						1	L.40				J3
240	400451/2						2	FIBRE		C		J3
	GD.1259/1						1	—				J3
28F/10797	AGS.1129/A						1	—		C		
28F/12047	AGS.1186/A						2	—		C		
	550047						1	—				J1
	493067						1	—				J1
	480930						1	—				J1
	501935						1	—				J4
	DDS.1002/C2						1	S.65				J4
	493094						11	DTD.126				J4
	503928						1	S.94				J4
	493092						2	L.1				J4
28P/12513	A25/2C						1	L.40				J4
28W/9419467	SP13/L						1	—		C		
	480934						1	L.3				J4
28S/2809	A33/B12						4	—		C		
	480933						1	L.33				J4
	480935						1	SPR.S.				J4
	501936						2	SPR.S.				J4

VALVES, COMBINED UNIT

Ref. No.	Part No.	Description	No. Off	Matl. Spec.	CL. OF			Plate No.
					ST.	M.R.	L.M.	
	503917	VALVE, inward relief, complete	1	—				J4
322	503929	GASKET (PRE. MOD. 69)	1	NEO.	C			J1
527	550041	GRID, inlet, complete (PRE. MOD. 83)	1	—	C			J1
654	551765	GRID, inlet, complete (MOD. 83)	1	—	C			J1
586	494031	NAMEPLATE (R.N.)	1	L4	C			J1
28Q/7193	AS.162/303	Rivet	4	—	C			
	503925	PIPE and block, complete (PRE. MOD. 69)	1	—				J1
	550887	PIPE and block complete (MOD. 69)	1	—				J1
27Q/11578	SP900/3	RING (MOD. 69) — DOWTY	1	—	C			J1
	493076 <i>27K-334</i>	RING, sealing	1	NEO.				J1
	493114	SPACER	3	ALUM.				J1
	ND/S183	WASHER (PRE. MOD. 69)	2	—				J1

VALVES, COMBINED UNIT

Ref. No.	Part No.	Description	No. Off	Matl. Spec.	CL. OF			Plate No.	
					1	2	3		ST.
15	504000	VALVE, COMBINED UNIT 2/15 (R.N.) ...	1	—				A	J5
509	509920	VALVE, COMBINED UNIT 2/15 (PRE. MOD. 70) ...	1	—				A	J5
514	510250	VALVE, COMBINED UNIT 2/15 (MOD. 70) ...	1	—				A	J5
		Spares for:—							
566	504640	LABEL (R.N.) ...	1	L.4				C	J5
28S/6470	2R 3/16	Screw ...	2	—				C	
	504050	SHROUD assembly (PRE. MOD. 70) not used by R.N.	1	—					J5
		Spares for:—							
	505407	BOLT, special ...	1	S.1					J6
	505406	SPRING ...	1	DTD.125					J6
	505400	VALVE, relief assembly ...	1	—					J6
	505404	ARM, locating ...	1	L.64					J7
	505405	PIN, headed ...	2	S.2					J7
28P/12587	SP9/C4	Pin, split ...	2	—				C	
28W/9419401	SP10/B	Washer ...	2	—				C	
	505401	PLATE, valve, complete ...	1	—					J7
	505403	SEATING, valve ...	1	L.33					J7
28Q/4901	AS.155/304	Rivet ...	8	—				C	
28S/13887	A32/B10	Screw ...	8	—				C	
28W/13701	SP23/B	Washer ...	8	—				C	
	550662	SHROUD assembly (MOD. 70) not used by R.N. ...	1	—					J5
		Spares for:—							
	505406	SPRING ...	1	DTD.215					J6
28L/14428	A48/B	Nut ...	3	—				C	
28S/2785	A31/B28	Screw ...	1	—				C	
28W/14034	SP25/B	Washer ...	1	—				C	
	550993	VALVE, relief assembly ...	1	—					J6
	505404	ARM, locating ...	1	L.64					J7
	505405	PIN, headed ...	2	S.2					J7
28P/12587	SP9/C4	Pin, split ...	2	—				C	
28W/9419401	SP10/B	Washer ...	2	—				C	
	550991	PLATE, valve, complete ...	1	2088				C	J7
	505403	SEATING, valve ...	1	L.33					J7
28Q/4901	AS.155/304	Rivet ...	8	—				C	
28S/14545	A31/B10	Screw ...	8	—				C	

VALVES, COMBINED UNIT

Ref. No.	Part No.	Description	No. Off	Matl. Spec.	CL. OF ST.			Plate No.
					1	2	3	
	551056	VALVE, combined unit assembly (MOD. 70) ...	1	—				J5
		Spares for:—						
249	506436	BODY (R.N.)	1	L.121		C		J8
253	506859	COVER, complete (R.N.)	1	—		C		J8
563	504007	DIAPHRAGM and cover assembly (R.N.) (PRE. MOD. 64).	1	—		B		J8
		Spares for:—						
310	504006	COVER (R.N.)	1	L.4		C		J11
28Q/8541	AS.162/306	Rivet	4	—		C		
564	504005	DIAPHRAGM assembly (R.N.)	1	—		B		J11
		Spares for:—						
235	400461	DIAPHRAGM (R.N.)	1	RUBBER		C		J12
238	ND/S173	NUT (R.N.)	6	—		C		J12
236	400426	RING, support (R.N.)	1	L.3		C		J12
237	ND/S174	SCREW (R.N.)	6	—		C		J12
565	504018	RING (R.N.)	1	L.3		C		J11
307	499356	SPRING (R.N.)	1	SPR.S.		C		J11
306	505090	SUPPORT, diaphragm, complete (R.N.) ...	1	—		C		J11
28S/9419438	A33/B10	Screw	13	—		C		
308	504004	UNION (R.N.)	1	L.40		C		J11
309	504009	WASHER (R.N.)	1	PET.		C		J11
311	DDS.1019/B	WASHER (R.N.)	1	L.17		C		J11
28L/6931	AGS.957/B	Nut	1	—		C		
28Q/7189	AS.157/304	Rivet	2	—		C		
	550502	DIAPHRAGM and cover assembly (MOD. 64) ...	1	—				J8
		Spares for:—						
310	504006	COVER (R.N.)	1	L.4		C		J9
28Q/8541	AS.162/306	Rivet	4	—		C		
	550503	DIAPHRAGM assembly	1	—				J9
		Spares for:—						
	ND/S362	CAP, blanking, complete	1	—				J10
235	400461	DIAPHRAGM (R.N.)	1	RUBBER		C		J10
238	ND/S173	NUT (R.N.)	6	—		C		J10
236	400426	RING, support (R.N.)	1	L.3		C		J10
237	ND/S174	SCREW (R.N.)	6	—		C		J10
	550534	SPRING	1	BS.407/3				J10
	550543	WASHER	1	L.4				J10
28M/10317	AGS.2002/A3	Nut	2	—		C		
28S/15259	A39/A10	Screw	2	—		C		
565	504018	RING (R.N.)	1	L.3		C		J9
306	505090	SUPPORT, diaphragm, complete (R.N.) ...	1	—		C		J9
28S/9419438	A33/B10	Screw	13	—		C		

VALVES, COMBINED UNIT

Ref. No.	Part No.	Description					No. Off	Matl. Spec.	CL. OF ST.		Plate No.
		1	2	3	4	5			M.R.	L.M.	
308	504004	UNION	(R.N.)	1	L.40	C	J9	
309	504009	WASHER	(R.N.)	1	PET.	C	J9	
311	DDS.1019/B	WASHER	(R.N.)	1	L.17	C	J9	
28L/6931	AGS.957/B	Nut	1	—	C		
28Q/7189	AS.157/304	Rivet	2	—	C		
28D/12631	A25/23C	Bolt	3	—	C		
28M/10328	AGS.2002/C1	Nut	3	—	C		
28W/9419402	SP13/C	Washer	2	—	C		
28W/9419475	SP15/C	Washer	3	—	C		
18	499001	GASKET	1	DDS.1017	C	J8	
	505081	GRID, inlet packing plate assembly	1	—		J8	
		Spares for:—									
215	505082	GRID, assembly	1	—	B	J13	
	505088	BOLT, eye	1	S.1		J13	
	505083	GRID, complete	1	—		J13	
312	ND/S172	RING, split	1	—	C	J13	
	SBV.1700/112/4	STUD — SIMMONDS	1	—		J13	
28L/11067	AGS.2035/B	Washer	1	—	C		
214	505084	PLATE, packing, complete	1	—		J13	
28D/12516	A25/11C	Bolt	6	—	C		
28M/10328	AGS.2002/C1	Nut	6	—	C		
28W/9419402	SP13/C	Washer	6	—	C		
	505089	PIECE, packing	1	DTD.610		J8	
305	ND/S179	SCREW	2	—	C	J8	
526	ND/S208	SCREW	3	—	C	J8	
252	506856	SEATING, inward relief valve	1	DTD.410	C	J8	
250	400422	SPRING	1	SPR.S.	C	J8	
304	506853/1	VALVE, inward relief assembly (504000 only)	1	—	A	J8	
703	506853/4	VALVE, inward relief assembly (509920—510250).	1	—	A	J8	
		Spares for:—									
552	506855	BOLT, spring (R.N.)	1	S.95	C	J14	
28M/10328	AGS.2002/C1	Nut	1	—	C		
28W/9419404	SP16/C	Washer	1	—	C		
554	501824	DIAPHRAGM (R.N.)	1	RUBBER	C	J14	
553	502700	EXCLUDER, dust, complete (R.N.)	1	—	C	J14	
558	501823	RETAINER, spring (R.N.)	1	L.1	C	J14	
561	503384	RING, adjusting (R.N.)	1	L.33	C	J14	
28P/12587	SP9/C4	Pin, split	1	—	C		
1093	504378	SPRING (AMDT. 76)	1	DTD.215	C	J14	

VALVES, COMBINED UNIT

Ref. No.	Part No.	Description					No. Off	Matl. Spec.	CL. OF			Plate No.
		1	2	3	4	5			ST.	M.R.	L.M.	
555	499702						1	L.3	C		J 14	
560	501826						1	—	C		J 14	
28S/3421	A33/A8						8	—	C			
556	503383						1	L.33	C		J 14	
557	DDS.1098/2						1	PET.	C		J 14	
	GD.1259/2						8	—			J 5	

VALVES, COMBINED UNIT

Ref. No.	Part No.	Description	No. Off	Matl. Spec.	CL. OF ST.			Plate No.
					M.R.	L.M.		
30	503750	VALVE, COMBINED UNIT 7/20 (PRE. MODS. 101 & 115).	1	—	A		J 15	
1014	512580	VALVE, COMBINED UNIT 7/20 (R.N.) (MOD. 115).	1	—	A		J 15	
1452	518030	VALVE, COMBINED UNIT 7/20	1	—	A		J 15	
		Spares for:—						
329	503754	BODY, complete (for 503750 and 512580) R.N.)	1	—			J 15	
	557358	BODY, complete (518030 only)	1	—			J 15	
28M/10328	AGS.2002/C1	Nut	4	—	C			
28T/14383	AGS.995/9	Stud	4	—	C			
28W/9419475	SP15/C	Washer	4	—	C			
523	550467	COVER (R.N.) (MOD. 62)	2	L.70	C		J 15	
330	503761	DIAPHRAGM assembly (R.N.)	2	—			J 15	
		Spares for:—						
235	400461	DIAPHRAGM (R.N.)	2	RUBBER	C		J 16	
238	ND/S173	NUT (R.N.)	12	—	C		J 16	
	ND/S221	RETAINER, spring, assembly	1	—			J 16	
		Spares for:—						
	505377	RETAINER	1	—				
	505609	RING	1	—				
	AS.162/306	Rivet	8	—				
236	400426	RING, support (R.N.)	2	L.3	C		J 16	
1412	ND/S178	SCREW (R.N.)	12	—	C		J 16	
447	503763	SPRING (R.N.)	2	SPR.S.	C		J 16	
336	503941	GRID, complete (R.N.)	1	—	C		J 15	
566	504640	LABEL (R.N.)	1	L.4	C		J 15	
28S/6470	2R 3/16"	Screw	2	—	C		J 15	
337	503770	RING, retaining (R.N.)	1	P.W.	C		J 15	
445	ND/S177	SCREW (R.N.)	10	—	C		J 15	
446	ND/S189	SCREW (R.N.)	26	—	C		J 15	
333	502711	SEATING, inward relief valve (R.N.)	2	L.1	C		J 15	
250	400422	SPRING	2	SPR.S.	C		J 15	
335	505357	STUD, special (R.N.)	6	STEEL	C		J 15	
28M/10328	AGS.2002/C1	Nut	10	—	C			
28L/13124	A27/CT	Nut, thin	4	—	C			
28N/6316	AGS.585/C	Washer, spring	2	—	C			
28W/9419475	SP15/C	Washer	6	—	C			
331	503773	SUPPORT, diaphragm, complete (R.N.) ...	2	—	C		J 15	
	558325	TRANSFER (AMIDT 147)	1	—				
1387	550466/1	VALVE, inward relief assembly (518030) ...	1	—			J 15	
	550466/3	VALVE, inward relief assembly (MOD. 62) (PRE. MOD. 115).	2	—			J 15	

VALVES, COMBINED UNIT

Ref. No.	Part No.	Description	No. Off	Matl. Spec.	CL. OF			Plate No.
					1	2	3	
	555410	VALVE, inward relief assembly (MOD. 115) ...	2	—				J 15
		Spares for :—						
552	506855	BOLT, spring (R.N.) (503750 and 512580) ...	2	S.95	C			J 16
	506855/1	BOLT, spring (518030) ...	2	S.95	C			J 16
28M/10328	AGS.2002/C1	Nut ...	2	—	C			
28W/9419404	SP16/C	Washer ...	2	—	C			
1089	503760	DIAPHRAGM (R.N.) ...	2	RUBBER	C			J 16
553	502700	EXCLUDER, dust, complete (R.N.) ...	2	—	C			J 16
558	501823	RETAINER, spring (R.N.) ...	2	L.1	C			J 16
1092	503774	SEAT, valve, complete (R.N.) ...	2	—	C			J 16
28S/2810	A33/A12	Screw ...	16	—	C			
1093	504378	SPRING (PRE. MOD. 115) (R.N.) ...	2	DTD.215	C			J 16
559	499864	SPRING (MOD. 115) (R.N.) ...	2	—	C			J 16
1091	503759	SUPPORT, diaphragm (R.N.) ...	2	L.40	C			J 16
1090	501828	VALVE, outward relief (R.N.) ...	2	DTD.133	C			J 16
557	DDS.1098/2	WASHER (R.N.) ...	2	PET.	C			J 16

VALVES, COMBINED UNIT

Ref. No.	Part No.	Description	No. Off	Matl. Spec.	CL. OF ST.		Plate No.
					M.R.	L.M.	
37	503640	VALVE, COMBINED UNIT 20/65	1	—	A		J 17
		Spares for :—					
	503164	BODY	1	L.124			J 17
28W/12496	DDS.1092/6E	BOLT	2	M.S.			J 17
	SP15/E	Washer	2	—	C		
	503689	BOLT, special	2	L.1			J 17
	503612	DOOR, inward relief assembly	2	—			J 17
		Spares for :—					
	503169	BEARING, hinge	2	S.1			J 19
	503611	DISC, insulating	6	TUFNOL			J 19
	503167	DOOR, inward relief	2	L.124			J 19
28P/838 28P/12431	SP4/B12	Pin, headed	2	—	C		
	SP9/C6	Pin, split	2	—	C		
	503616	FERRULE, long	1	L.1			J 19
	503617	FERRULE, short	1	L.1			J 19
	503613	PAD, sealing	2	L.3			J 19
28S/2809	503614	RING, clamp	2	RUBBER			J 19
	A33/B12	Screw	36	—	C		
	503618	SPRING	1	DTD.5A			J 19
	503619	SPRING	1	DTD.5A			J 19
	503610	TUBE, tongue	1	T.35			J 19
28P/13483	DDS.1084/24	Washer	2	DTD.124			J 19
	SP28/G4	Pin, taper	2	—	C		
	AS.2809/7/046	Tube, distance	1	—			
	503335	GRILLE, complete	1	—			J 17
	503648	GRILLE, inward relief, complete	4	—			J 17
	503620	JOINT, ball assembly (PRE. MOD. 10AF)	2	—			J 17
		Spares for :—					
	503623	BALL	2	DTD.525			J 19
	503712	BEARING	2	TUFNOL			J 19
	503636	CAP	2	L.1			J 19
	503626	CIRCLIP	4	P.W.			J 19
	550525	PIECE, packing (AMDT. 5AF)	2	L.64			J 19
	503621	SEAT, ball	2	L.1			J 19
	503622	SEAT, ball	2	TUFNOL			J 19
	503627	WASHER	2	DTD.124A			J 19

VALVES, COMBINED UNIT

Ref. No.	Part No.	Description	No. Off	Matl. Spec.	CL. OF ST.			Plate No.
					1	2	3	
534	500500	NAMEPLATE (R.N.)	1	L4				J 17
28S/6470	2R 3/16	Screw	4	—				C
	503679	NUT, special	2	—				J 17
28Q/8070	AS.162/310	Rivet	4	—				C
28S/2072	A43/C16	Screw	2	—				C
	503649	PLATE, bearing	2	DTD.546B				J 17
	550786	PLATE, back and bearing, complete (PRE. MOD. 10AF).	2	—				J 17
	503629	PLATE, clamp	2	L3				J 17
28S/2815	A33/B16	Screw	60	—				C
	503615	SHIM	8	ALUM.				J 17
	508994	TUBE	4	L36				J 17
	ND/S379	VALVE, discharge assembly	2	—				
		Spares for :—						
	503632	BELLOWS	2	RUBBER				J 17
	503915	CASING, discharge valve assembly	2	—				J 17
		Spares for :—						
	503646	STUD, special	3	S.1				J 18
	504496/1	WASHER, shim	AR	STEEL				J 18
28W/9419405	SP15/E	WASHER, shim } Alternatives	AR	—				C
	28M/10290	Nut	6	—				C
	28S/2809	Screw	64	—				C
28W/9419405	SP15/E	Washer	6	—				C
	503916	GRILLE, discharge, complete	4	—				J 17
	28D/	Bolt	8	—				C
	28M/10327	Nut	8	—				C
28W/9419465	SP13/B	Washer	8	—				C
	551632	JOINT, ball, assembly (MOD. 10AF)	2	—				J 17
		Spares for :—						
	551630	BALL	2	DTD.525				J 19
	08/DP/06	BEARING — GLAZIER (AMDT. 12AF)	4	DTD.525				J 19
	503636	CAP	2	L.1				J 19
	551631	CIRCLIP	4	P.W.				J 19
	551629	PIECE, distance	2	S.1				J 19
	550525	PIECE, packing (AMDT. 5AF)	2	L.64				J 19
	503621	SEAT, ball	2	L.1				J 19
	503627	WASHER	2	DTD.124A				J 19
28S/2809	A33/B12	Screw	12	—				C

VALVES, COMBINED UNIT

Ref. No.	Part No.	Description	No. Off	Matl. Spec.	CL. OF	Plate No.
					ST. M.R. L.M.	
	551634	PLATE , back and bearing, complete (MOD. 10AF).	2	—		J 17
28F/10798	AGS.1129/B	Banjo	2	—	C	
28F/9423227	AGS.1135/B	Bolt	2	—	C	
28F/8215	AGS.1138/B	Washer, sealing	4	—	C	
	553896	RING , external stiffening (AMDT. 13AF)	6	892/B		J 17
	496295	RING , internal stiffening	4	L.3		J 17
	503631	RING , retaining	2	L.3		J 17
	503166	SEAT , valve	2	L.124		J 17
28S/2815	A33/B16	Screw	64	—	C	
	503630	SPRING , valve	2	SPR.S.		J 17
503	503638	WASHER , sealing	2	RUBBER	C	J 17
	557052	WASHER , special, at attachment of discharge grille (AMDT. 16AF).	8	S.3		
229	400779	WASHER (AMDT. 5AF)	8	DTD.124A	C	J 17
28P/12726	SP9/C12	Pin, split	8	—	C	

Ref. No.	Part No.	Description					No. Off	Matl. Spec.	CL. OF	Plate No.
		1	2	3	4	5			ST. M.R. L.M.	

VALVES, COMBINED UNIT

Ref. No.	Part No.	Description	No. Off	Matl. Spec.	CL. OF ST.			Plate No.
					1	2	3	
733	510750	VALVE, COMBINED UNIT 7/20	1	—	A		J20	
		Spares for:—						
	556103	BODY, complete	1	—			J20	
28M/10328	AGS.2002/C1	Nut	4	—	C			
28T/14383	AGS.995/9	Stud	4	—	C			
28W/9419475	SP15/C	Washer	4	—	C			
523	550467	COVER (R.N.)	2	L.70	C		J20	
	555825	DIAPHRAGM assembly	2	—			J20	
		Spares for:—						
235	400461	DIAPHRAGM (R.N.)	2	RUBBER	C		J21	
238	ND/S173	NUT (R.N.)	12	—	C		J21	
	ND/S363	RETAINER, spring, assembly	2	—				
		Consisting of:—						
	555823	RETAINER, spring	2	L.64			J21	
	555824	RING, support	2	DTD.603B			J21	
	AS.162/306	Rivet	16	—	C			
236	400426	RING, support (R.N.)	2	L.3	C		J21	
1412	ND/S178	SCREW	12	—	C		J21	
447	503763	SPRING (R.N.)	2	SPR.S.	C		J21	
	555822	SPRING	2	DTD.215			J21	
28S/2756	A31/A8	Screw	2	—	C			
28W/15882	SP23/A	Washer	2	—	C			
336	503941	GRID, complete (R.N.)	1	—	C		J20	
566	504640	LABEL (R.N.)	1	L.4			J20	
28S/6470	2R 3/16	Screw	2	—	C			
337	503770	RING, retaining (R.N.)	1	P.W.	C		J20	
445	ND/S177	SCREW (R.N.)	10	—	C		J20	
446	ND/S189	SCREW (R.N.)	26	—	C		J20	
333	502711	SEATING, inward relief (R.N.)	2	L.1	C		J20	
250	400422	SPRING	2	SPR.S.	C		J20	
335	505357	STUD, special (R.N.)	6	STEEL	C		J20	
28M/10328	AGS.2002/C1	Nut	10	—	C			
28L/13124	A27/CT	Nut	4	—	C			
28W/6316	AGS.585/C	Washer	2	—	C			
28W/9419475	SP15/C	Washer	6	—	C			
	555827	SUPPORT, diaphragm, complete	2	—			J20	
	551339	UNION, special	1	DTD.423			J20	
28F/12048	AGS.1186/B	Seal	1	—	C			
522	550466	VALVE, inward relief assembly	2	—			J20	
		Spares for:—						
552	506855	BOLT, spring (R.N.)	2	S.95	C		J21	
28M/10328	AGS.2002/C1	Nut	2	—	C			
28W/9419404	SP16/C	Washer	2	—	C			

VALVES, COMBINED UNIT

Ref. No.	Part No.	Description					No. Off	Matl. Spec.	CL. OF ST.			Plate No.
		1	2	3	4	5			M.R.	L.M.		
1089	503760	DIAPHRAGM	2	RUBBER	C			J21
553	502700	EXCLUDER, dust, complete	(R.N.)	2	—	C			J21
558	501823	RETAINER, spring	(R.N.)	2	L.1	C			J21
1092	503774	SEAT, valve, complete	2	—	C			J21
28S/2810	A33/A12	Screw	16	—	C			
1093	504378	SPRING	2	DTD.215	C			J21
1091	503759	SUPPORT, diaphragm	2	L.40	C			J21
1090	501828	VALVE, outward relief	2	DTD.133	C			J21
557	DDS.1098/2	WASHER	(R.N.)	2	PET.	C			J21

VALVES, COMBINED UNIT

Ref. No.	Part No.	Description	No. Off	Matl. Spec.	CL. OF			Plate No.
					ST.	M.R.	L.M.	
		1 2 3 4 5						
959	515770	VALVE, COMBINED UNIT, 7/20 (MOD. 101) ...	1	—	A			J20
		Spares for:—						
	555829	BODY, complete	1	—				J20
28M/10328	AGS.2002/C1	Nut, 2 B.A.	4	—	C			
28T/14383	AGS.995/9	Stud, 2 B.A.	4	—	C			
28W/9419475	SP15/C	Washer, 2 B.A.	4	—	C			
523	550467	COVER (R.N.)	2	L.70	C			J20
	555825	DIAPHRAGM assembly	2	—				J20
		Spares for:—						
235	400461	DIAPHRAGM	2	RUBBER	C			J21
238	ND/S173	NUT, attachment of support rings to diaphragm.	12	—	C			J21
	ND/S363	RETAINER, spring, assembly	2	—				
		Consisting of:—						
	555823	RETAINER, spring	2	L.64				J21
	555824	RING, support	2	DTD.603B				J21
28Q/8541	AS.162/306	Rivet	16	—	C			
236	400426	RING, support	2	L.3	C			J21
1412	ND/S178	SCREW, attachment of support rings and diaphragm.	12	—	C			J21
447	503763	SPRING	2	SPR.ST.	C			J21
	555822	SPRING	2	DTD.215				J21
28S/2756	A31/A8	Screw, 6 B.A.	2	—	C			
28W/15882	SP23/A	Washer, 6 B.A.	2	—	C			
336	503941	GRID, complete (R.N.)	1	—	C			J20
566	504640	LABEL (R.N.)	1	L.4	C			J20
28S/6470	2R-3/16"	Screw	2	—	C			
337	503770	RING, retaining (R.N.)	1	P.W.	C			J20
445	ND/S177	SCREW, attaching cover and relief valve to body (R.N.)	10	—	C			J20
446	ND/S189	SCREW, attaching diaphragm and support to body.	26	—	C			J20
333	502711	SEATING, inward relief valve (R.N.)	2	L.1	C			J20
250	400422	SPRING	2	SPR.ST.	C			J20
335	505357	STUD, special attachment of valve seating diaphragm and covers to body (R.N.)	6	STEEL	C			J20
28M/10328	AGS.2002/C1	Nut, 2 B.A.	10	—	C			
28L/13124	A27/CT	Nut, thin, 2 B.A.	4	—	C			
28W/6316	AGS.585/C	Washer, spring, 2 B.A.	2	—	C			
28W/9419475	SP15/C	Washer, 2 B.A.	6	—	C			
	555827	SUPPORT, diaphragm, complete	2	—				J20
1453	550466/2	VALVE, inward relief assembly	2	—				J20
		Spares for:—						
552	506855	BOLT, spring (R.N.)	2	S.95	C			J21

VALVES, COMBINED UNIT

Ref. No.	Part No.	Description					No. Off	Matl. Spec.	CL. OF ST.			Plate No.
		1	2	3	4	5			M.R.	L.M.		
28M/10288	AGS.2001/C1						2	—		C		
28W/9419404	SP16/C						2	—		C		
1089	503760						2	RUBBER		C	J21	
553	502700						2	—		C	J21	
558	501823						2	L.1		C	J21	
1092	503774						2	—		C	J21	
28S/2810	A33/A12						16	—		C		
1093	504378						2	DTD.215		C	J21	
1091	503759						2	L.40		C	J21	
1090	501828						2	DTD.133		C	J21	
557	DDS.1098/2						2	PET.		C	J21	

VALVES, COMBINED UNIT

Ref. No.	Part No.	Description	No. Off	Matl. Spec.	CL. OF		Plate No.
					ST.	M.R.	
		1 2 3 4 5					
1402	510680	VALVE, COMBINED UNIT	1	—	A		J 22
		Spares for:—					
	503164	BODY } Alternatives	1	L.124			J 22
	554466	BODY }	1	L.124			J 22
	503689	BOLT	2	L.1			J 22
28W/9419405	DDS.1092/6E	BOLT	2	M.S.			J 22
	SP15/E	Washer	2	—	C		
	503612	DOOR, inward relief, assembly	1	—			J 22
		Spares for:—					
	503169	BEARING, hinge	2	S.1			J 19
	503611	DISC, insulating	6	TUFNOL			J 19
	503167	DOOR, inward relief	2	L.124			J 19
28P/838	SP4/B12	Pin, headed	2	—	C		
28P/12431	SP9/C6	Pin, split	2	—	C		
	503616	FERRULE, long	1	L.1			J 19
	503617	FERRULE, short	1	L.1			J 19
	503613	PAD, sealing	2	RUBBER			J 19
	503614	RING, clamp	2	L.3			J 19
28S/2809	A33/B12	Screw	36	—	C		
	503618	SPRING	1	DTD.5A			J 19
	503619	SPRING	1	DTD.5A			J 19
	503610	TUBE, torque	1	L.35			J 19
	DDS.1084/24	WASHER	2	DTD.124			J 19
28P/13483	SP28/G4	Pin, taper	2	—	C		
	AS.2809/7/046	Tube, distance	1	—			
	503335	GRILLE, complete	1	—			J 22
	503648	GRILLE, inward relief, complete	4	—			J 22
534	500500	NAMEPLATE (R.N.)	1	L.4	C		J 22
28S/6470	2R 3/16"	Screw	4	—	C		
	503679	NUT, special (make from AGS.2008/C1)	2	—			J 22
28Q/8070	AS.162/310	Rivet	2	—	C		
28S/2072	A43/C16	Screw	2	—	C		
	503649	PLATE, bearing	2	DTD.546B			J 22
27Q/19048	SP915/B/56	SEAL — DOWTY	2	—	C		J 22
	503615	SHIM	8	ALUM.			J 22
	508994	TUBE	4	L.36			J 22
1403	552893	VALVE, discharge, assembly	2	—	A		J 22
		Spares for:—					
	552894	BASE	2	—			J 23

VALVES, COMBINED UNIT

Ref. No.	Part No.	Description					No. Off	Matl. Spec.	CL. OF	Plate No.
		1	2	3	4	5			ST.	
	06DP6	BEARING — GLACIER					4	—		J 23
28N/13737	AGS.2030/13	Circlip					2	—	C	
28S/7614	A35/C16	Screw					2	—	C	
28W/14741	SP24/C	Washer					2	—	C	
28W/9416643	SP47/C	Washer					2	—	C	
	552910	BOLT					6	S.80		J 23
28F/14656	AGS.1186/2	Washer, sealing					6	—	C	
	552908	CLAMP					6	DTD.610B		J 23
	554182	DIAPHRAGM , rolling					2	DTD.793		J 23
	552906	GRILLE					2	ALUM.		J 23
28S/5837	A35/B24	Screw					6	—	C	
	552903	HOUSING , bearing					2	L.65		J 23
28R/10162	AGS.566/C	Plug					2	—	C	
28F/11958	AGS.1186/C	Washer, sealing					2	—	C	
	552895	PLATE , top					2	DTD.304		J 23
28D/12511	A25/2B	Bolt					60	—	C	
28M/10287	AGS.2001/B1	Nut					60	—	C	
28W/14456	SP11/B	Washer					60	—	C	
	552897	PLATE , valve, complete					2	—		J 23
	554356	RETAINER , diaphragm					2	DTD.610		J 23
28M/10279	AGS.2001/A3	Nut					36	—	C	
28S/	A36/A10	Screw					36	—	C	
	559313	RING , stiffening diaphragm (AMD:20AF)					2	DTD.610		J 23
	554524	RING , seating, complete					2	—		J 23
	SP915/B6	SEAL — DOWTY					2	—		
	552904	SPACER					2	L.65		J 23
	503630	SPRING					2	DTD.315		J 23
	552907	STUD					6	S.11		J 23
28L/13017	A24/ET	Locknut					6	—	C	
	552905	WASHER					2	DTD.610B		J 23
28F/10798	AGS.1129/B	Banjo					2	—	C	
28F/10018	AGS.1135/B	Bolt, banjo					2	—	C	
28F/12048	AGS.1186/B	Washer, sealing					4	—	C	
229	400779	WASHER (R.N)					8	DTD.124A	C	J 22
28P/12726	SP9/C12	Pin, split					8	—	C	
28M/10290	AGS.2001/E1	Nut					6	—	C	
28W/9419405	SP15/E	Washer					6	—	C	

VALVES, COMBINED UNIT

Ref. No.	Part No.	Description	No. Off	Matl. Spec.	CL. OF ST.			Plate No.
					M.R.	L.M.		
1649	521210	VALVE, COMBINED UNIT 7/20 (MOD. 144) ...	1	—	A			J 24
960	510710	VALVE, COMBINED UNIT 7/20 (PRE. MOD. 144)	1	—	A			
		Spares for :—						
	555807	BOLT, 2 B.A. ...	34	DTD.683				J 24
28W/9419454	SP10/C	Washer, 2 B.A. ...	34	—	C			
28W/9416643	SP47/C	Washer, 2 B.A. ...	34	—	C			
	558326	LABEL ...	1	TRANSFER				J 24
534	500500	NAMEPLATE (R.N.) ...	1	L.4	C			J 24
28Q/7138	AS.157/303	Rivet ...	4	—	C			
	560843	SHROUD, assembly (MOD. 144) ...	1	—				J 24
	551761	SHROUD, assembly (PRE. MOD. 144) ...	1	—				
		Spares for :—						
1641	551759	BOLT (PRE. MOD. 139) ...	1	S.1	C			
28M/13124	A48/C	Nut (PRE. MOD. 139) ...	1	—	C			
28M/10212	AGS.2008/C3	Nut, anchor, nyloc (PRE. MOD. 139) ...	1	—	C			
28Q/7198	AS.156/304	Rivet (PRE. MOD. 139) ...	1	—	C			
	561240	BOLT (MOD. 139) ...	1	S.80				J 25
28M/9436836	AGS.2001/C2	Nut ...	1	—	C			
28W/12665	SP14/C	Washer ...	1	—	C			
	561238	BUSH (MOD. 139) ...	1	BS.369				J 25
	551756/1	CASING, shroud and seal assembly (MOD. 144)	1	—				J 25
	551756	CASING, shroud and seal assembly (PRE. MOD. 144).	1	—				
		Spares for :—						
	551752-A	CASING, shroud (MOD. 144) ...	1	—				J 25
	551752	CASING, shroud (PRE. MOD. 144) ...	1	—				
	551755	SEAL ...	1	RUBBER				J 25
	561241	PLATE, valve complete (MOD. 139) ...	1	—				J 25
	561239	PLATE, retaining (MOD.139) ...	1	L.71				J 25
	560523	RESTRICTOR (MOD. 144) ...	1	L.59				J 25
28Q/4911	AS.155/404	Rivet ...	4	—	C			
	561236	SEAT, valve (MOD. 139) ...	1	L.65				J 25
28Q/8394	A163/304	Rivet ...	8	—	C			
	561242	SPRING (MOD. 139) ...	1	DTD.189				J 25
1642	559260	SPRING, complete (MOD.137) (PRE. MOD. 139)	1	—	C			
	551754	SPRING (PRE. MOD. 137) ...	1	DTD.215				

VALVES, COMBINED UNIT

Ref. No.	Part No.	Description	No. Off	Matl. Spec.	CL. OF			Plate No.
					ST.	M.R.	L.M.	
		1 2 3 4 5						
	551760	VALVE, relief assembly (PRE. MOD. 139) ...	1	—				
		Spares for :—						
	551758	ARM, locating	1	L.64				
315	505405	PIN, headed	2	S.2		C		
28P/12587	SP9/C4	Pin, split	2	—		C		
28W/9419401	SP10/B	Washer	2	—		C		
1640	551757	PLATE, valve complete	1	—		C		
	551751	SEATING, valve	1	L.65				
28Q/4901	AS.155/304	Rivet (PRE. MOD. 139)	8	—		C		
	551339	UNION	1	DTD.425			J 24	
28F/9428453	AGS.1186/B	Seal, bonded	1	—		C		
	551343	VALVE, combined unit, assembly	1	—			J 24	
		Spares for :—						
	556103	BODY, complete	1	—			J 26	
28M/10328	AGS.2002/C1	Nut	4	—		C		
28T/14383	AGS.995/9	Stud	4	—		C		
28W/9419475	SP15/C	Washer	4	—		C		
523	550467	COVER	2	L.70		C	J 26	
	555825	DIAPHRAGM, assembly	2	—			J 26	
		Spares for :—						
235	400461	DIAPHRAGM	2	RUBBER		C	J 27	
238	ND/S.173	NUT, attachment support rings diaphragm ...	12	—		C	J 27	
	ND/S.363	RETAINER, spring assembly	2	—				
		Consisting of :—						
	555823	RETAINER, spring	2	L.64			J 27	
	555824	RING, support	2	DTD.603B			J 27	
28Q/8541	AS.162/306	Rivet	16	—		C		
236	400426	RING, support	2	L.3		C	J 27	
1412	ND/S.178	SCREW	12	—		C	J 27	
447	503763	SPRING	2	SPR.S.		C	J 27	
2257	555822	SPRING (R.N.)	2	DTD.215		C	J 27	
28S/2756	A31/A8	Screw	2	—		C		
28W/15882	SP23/A	Washer	2	—		C		
336	503941	GRID	1	—		C	J 26	
337	503770	RING, retaining	1	P.W.		C	J 26	
445	ND/S.177	SCREW	10	—		C	J 26	
446	ND/S.189	SCREW	26	—		C	J 26	
333	502711	SEATING, inward relief	2	L.1		C	J 26	
250	400422	SPRING	2	SPR.S.		C	J 26	

VALVES, COMBINED UNIT

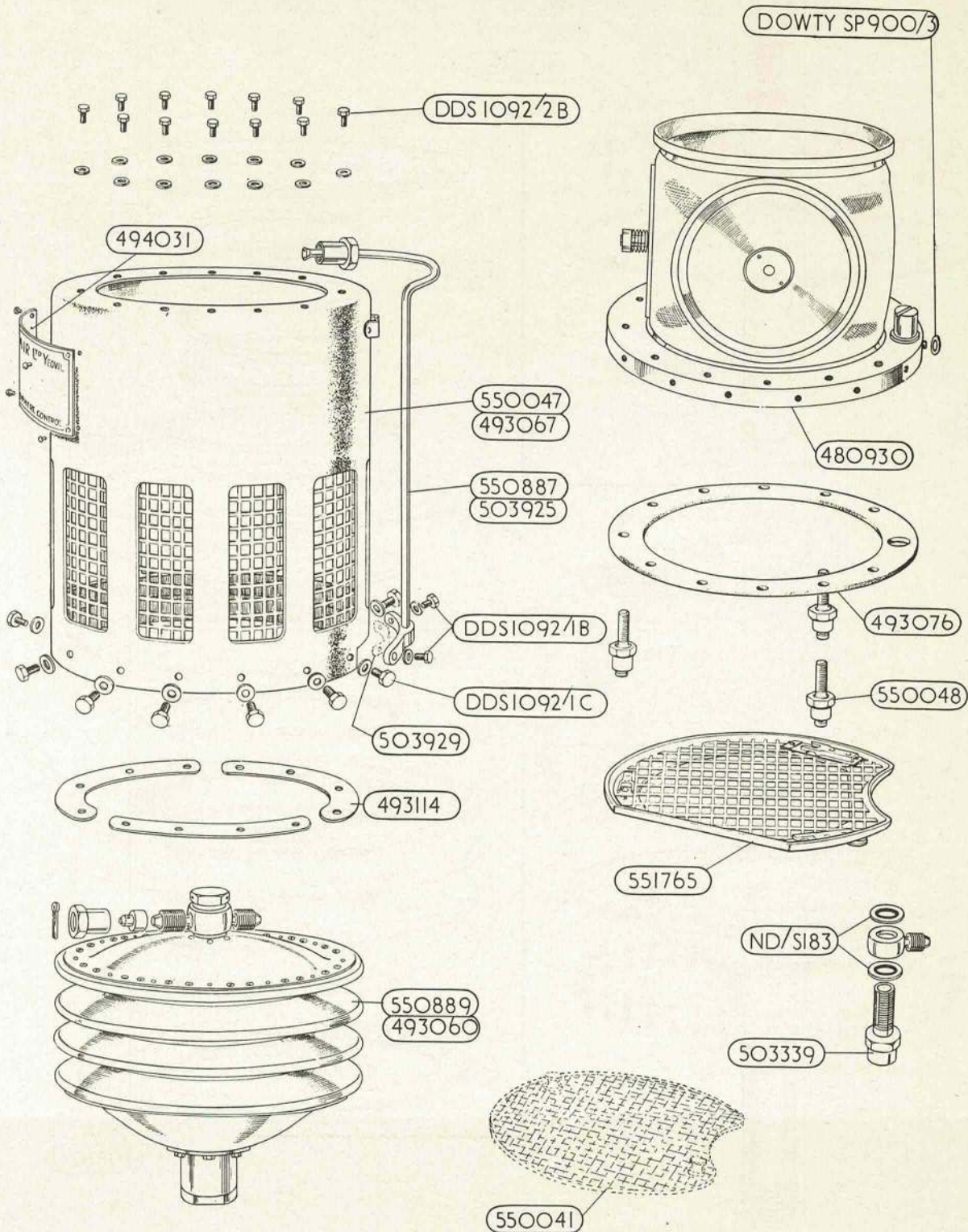
Ref. No.	Part No.	Description	No. Off	Matl. Spec.	CL. OF			Plate No.
					ST.	M.R.	L.M.	
335	505357	STUD , special	4	S.95	C			J26
28M/10328	AGS.2002/C1	Nut	8	—	C			
28M/13124	A27/CT	Nut	4	—	C			
28W/6316	AGS.585/C	Washer, spring	2	—	C			
28W/9419475	SP15/C	Washer	4	—	C			
2256	555827	SUPPORT , diaphragm, complete	2	—	C			J26
522	550466	VALVE , inward relief, assembly	2	—	B			J26
		Spares for:—						
552	506855	BOLT , spring	2	S.95	C			J27
28M/10228	AGS.2002/C1	Nut	2	—	C			
28W/9419404	SP16/C	Washer	2	—	C			
1089	503760	DIAPHRAGM	2	RUBBER	C			J27
553	502700	EXCLUDER , dust complete	2	—	C			J27
558	501823	RETAINER , spring	2	L.1	C			J27
1092	503774	SEAT , valve complete	2	—	C			J27
28S/2810	A33/A12	Screw	16	—	C			
1093	504378	SPRING	2	DTD.215	C			J27
1091	503759	SUPPORT , diaphragm	2	L.40	C			J27
1090	501828	VALVE , outward relief	2	PET.	C			J27
557	DDS.1098/2	WASHER	2	DTD.133	C			J27

VALVES, COMBINED UNIT

Ref. No.	Part No.	Description	No. Off	Matl. Spec.	CL. OF ST.			Plate No.
					1	2	3	
1784	520200	VALVE, COMBINED UNIT - 7/20	1	—			A	J 28
		Spares for :—						
	559803	BODY, complete	1	—				J 28
28M/10328	AGS.2002/C1	Nut	4	—			C	
28T/14383	AGS.995/9	Stud	4	—			C	
28W/9419475	SP15/C	Washer	4	—			C	
523	550467	COVER (R.N.)	2	L.70			C	J 28
	555825	DIAPHRAGM, assembly	2	—				J 28
		Spares for :—						
235	400461	DIAPHRAGM (R.N.)	2	RUBBER			C	J 29
238	ND/S173	NUT (R.N.)	2	—			C	J 29
	ND/S363	RETAINER, spring, assembly	2	—				
		Spares for :—						
	555823	RETAINER, spring	2	L.64				J 29
	555824	RING, support	2	DTD.603B				J 29
28Q/8541	AS.162/306	Rivet	16	—			C	
236	400426	RING, support (R.N.)	2	L.3			C	J 29
1412	ND/S178	SCREW (R.N.)	12	—			C	J 29
	555822	SPRING (R.N.)	2	SPR.S.				J 29
28S/2756	A31/A8	Screw	2	—			C	
28W/15882	SP23/A	Washer	2	—			C	
447	503763	SPRING (R.N.)	2	SPR.S.			C	J 29
336	503941	GRID, complete (R.N.)	1	—			C	J 28
566	504640	LABEL (R.N.)	1	L.4			C	J 28
28S/6470	2R 3/16"	Screw	2	—			C	
377	503770	RING, retaining (R.N.)	1	P.W.			C	J 28
445	ND/S177	SCREW (R.N.)	10	—			C	J 28
446	ND/S189	SCREW (R.N.)	26	—			C	J 28
333	502711	SEATING, inward relief (R.N.)	2	L.1			C	J 28
250	400422	SPRING	2	SPR.S.			C	J 28
335	505357	STUD, special (R.N.)	6	STEEL				J 28
28M/10328	AGS.2002/C1	Nut	10	—			C	
28M/13124	A27/CT	Nut	4	—			C	
28W/6316	AGS.585/C	Washer	2	—			C	
28W/9419475	SP15/C	Washer	6	—			C	
	555827	SUPPORT, diaphragm, complete	2	—				J 28
1387	550466/1	VALVE, inward relief, assembly	2	—			C	J 28
		Spares for :—						
552	506855/1	BOLT, spring (R.N.)	2	S.95			C	J 29
28M/10328	AGS.2002/C1	Nut	2	—			C	
28W/9419404	SP16/C	Washer	2	—			C	

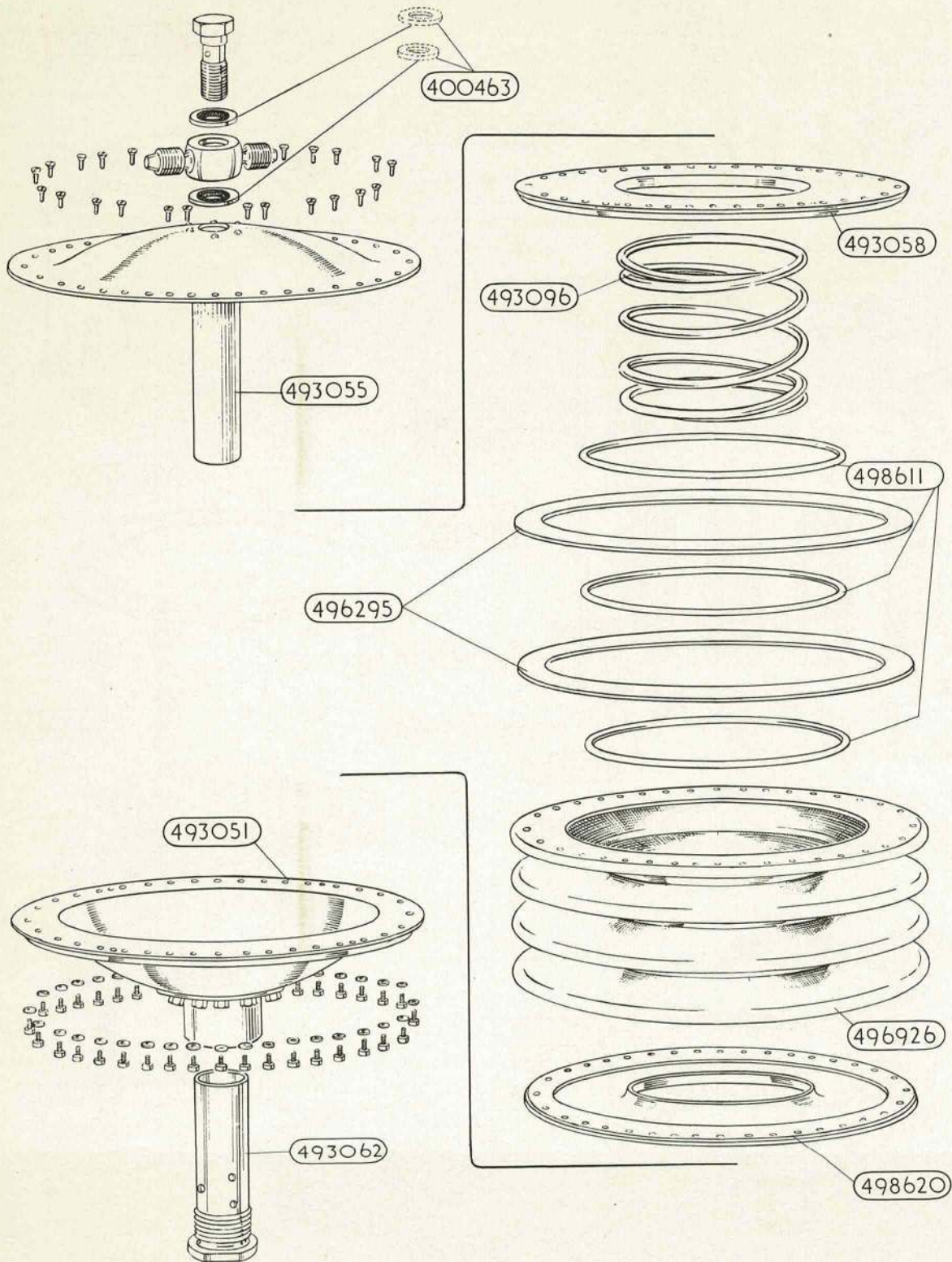
VALVES, COMBINED UNIT

Ref. No.	Part No.	Description	No. Off	Matl. Spec.	CL. OF ST.			Plate No.	
					1	2	3		4
1089	503760	DIAPHRAGM (R.N.)	2	RUBBER				C	J 29
553	502700	EXCLUDER, dust (R.N.)	2	—				C	J 29
558	501823	RETAINER, spring (R.N.)	2	L.1				C	J 29
1092	503774	SEAT, valve, complete (R.N.)	2	—				C	J 29
28S/2810	A33/A12	Screw	16	—				C	
1093	504378	SPRING (R.N.)	2	DTD.215				C	J 29
1091	503759	SUPPORT, diaphragm (R.N.)	2	L.40				C	J 29
1090	501828	VALVE, outward relief (R.N.)	2	DTD.133				C	J 29
557	DDS.1098/2	WASHER (R.N.)	2	PET.				C	J 29

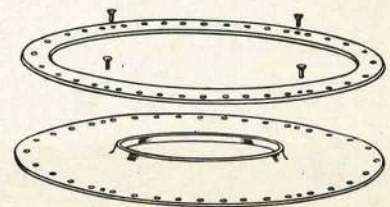
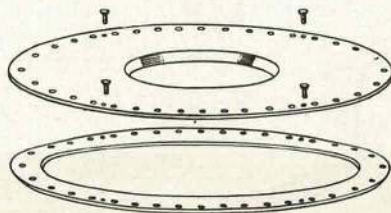
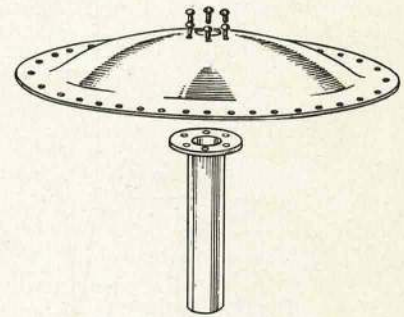
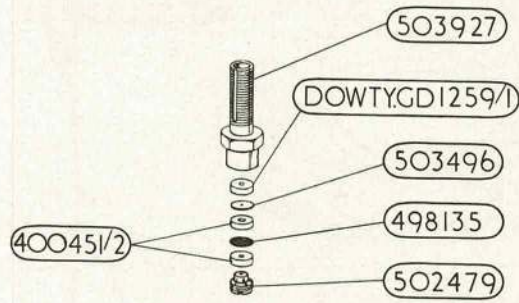
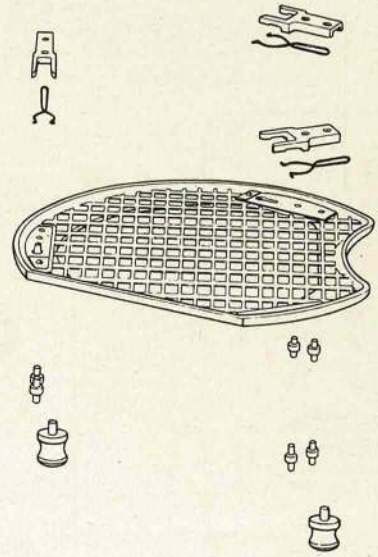
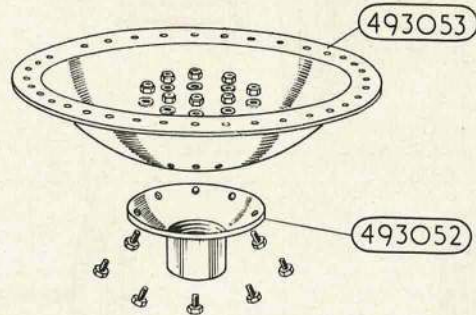


VALVE, COMBINED UNIT

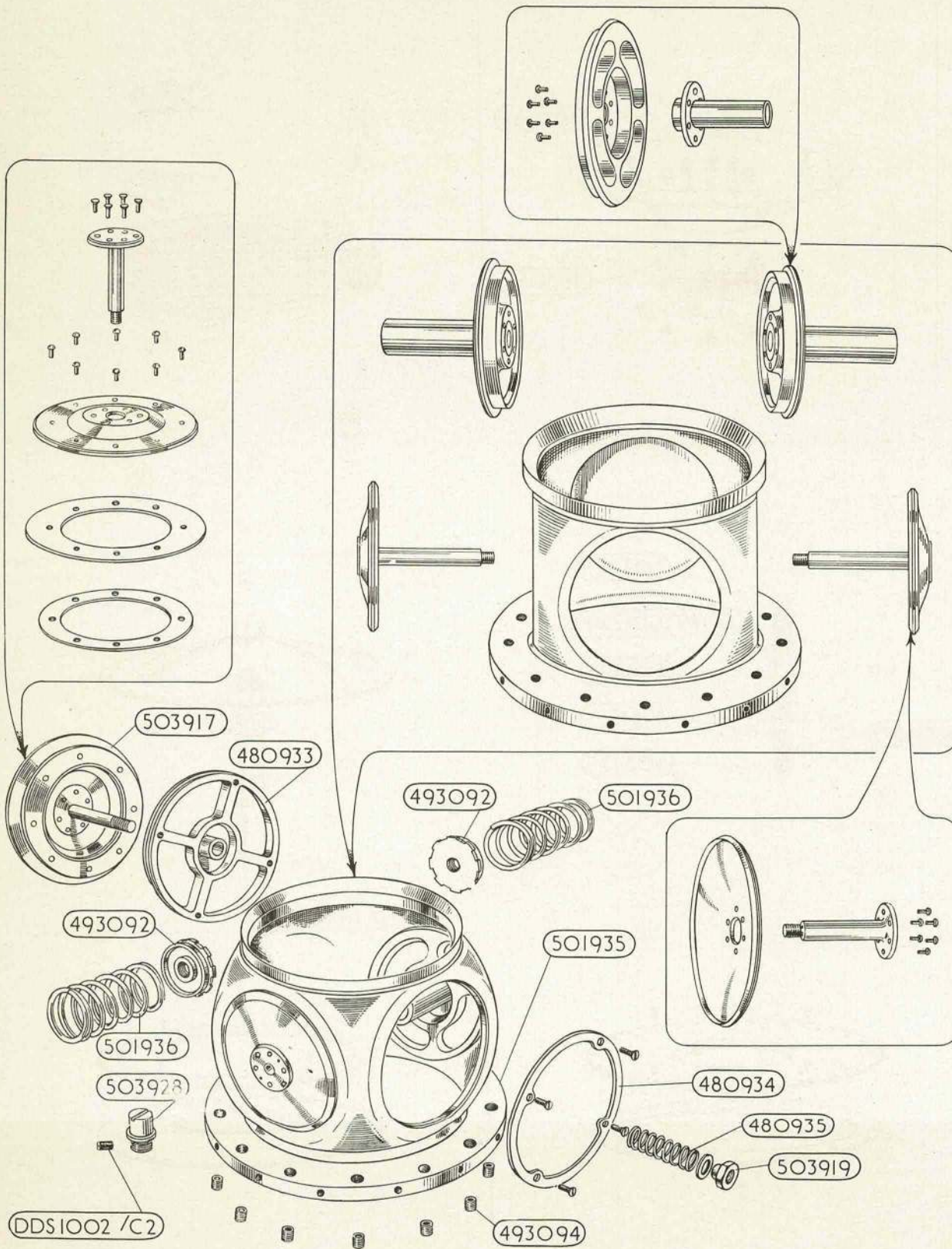
PLATE J 2



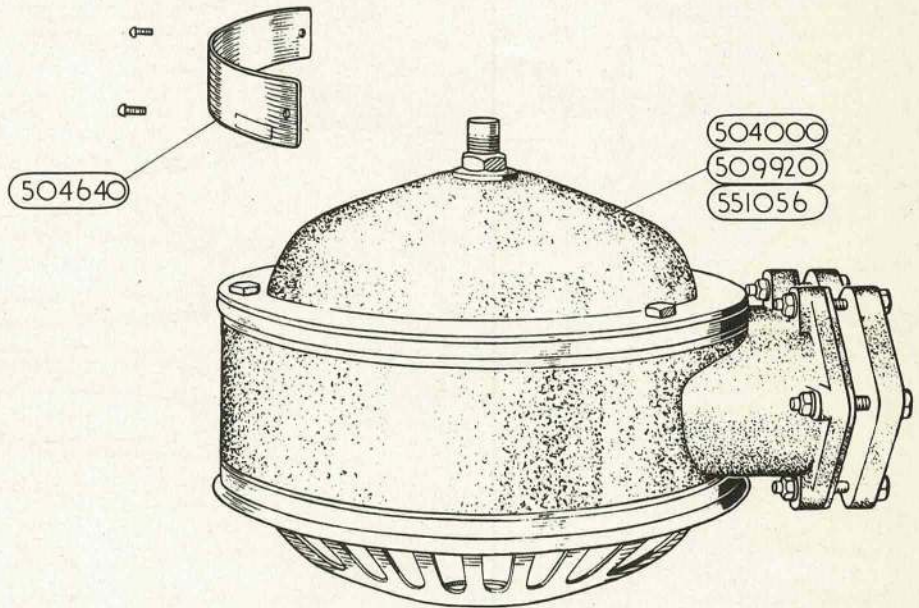
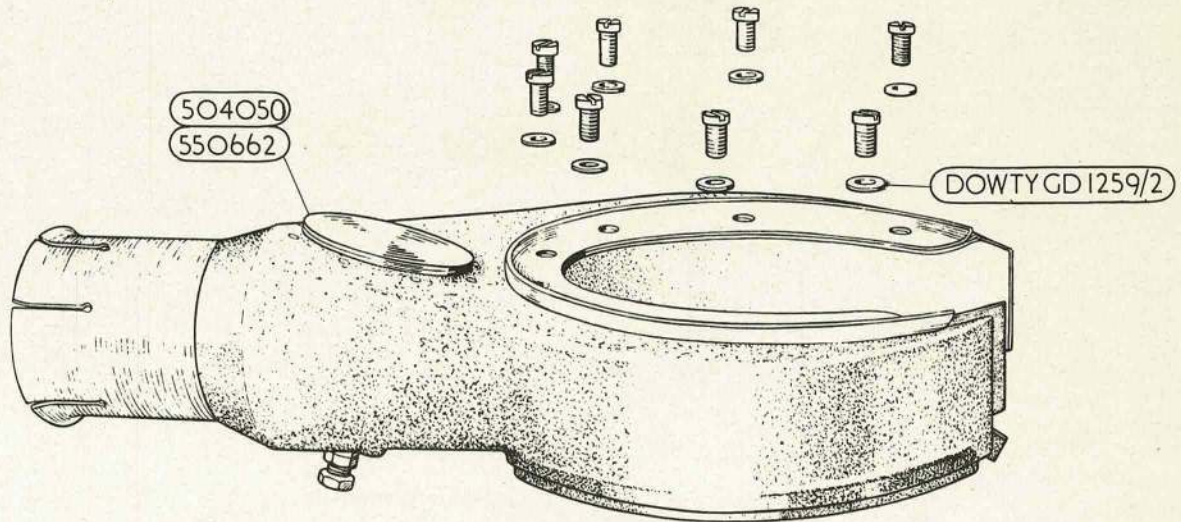
BELLOWS ASSEMBLY



ASSEMBLIES VARIOUS

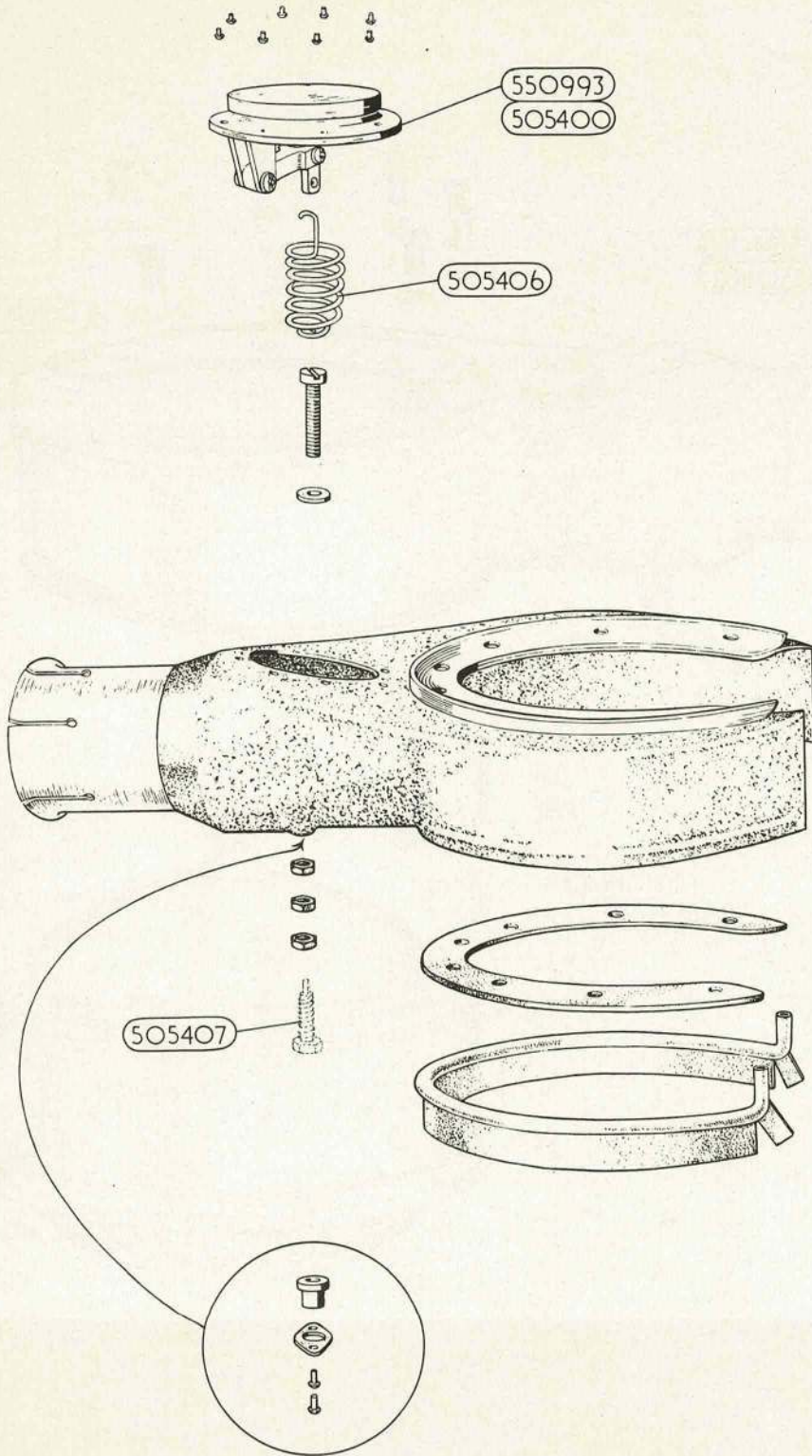


CASTING AND VALVES ASSEMBLY

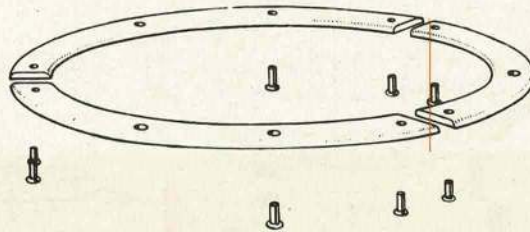
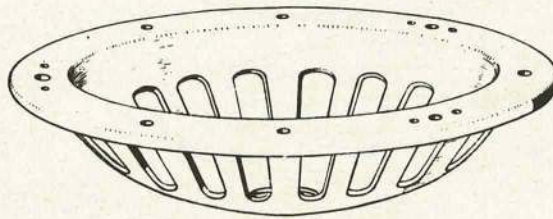
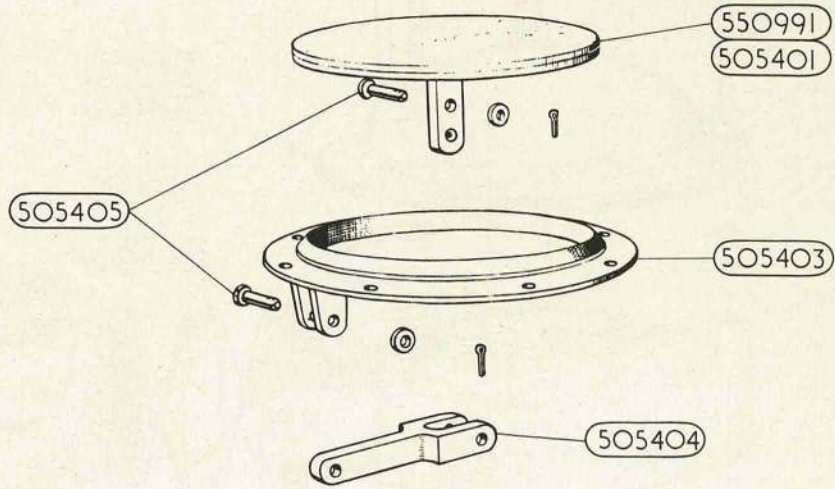


VALVE , COMBINED UNIT

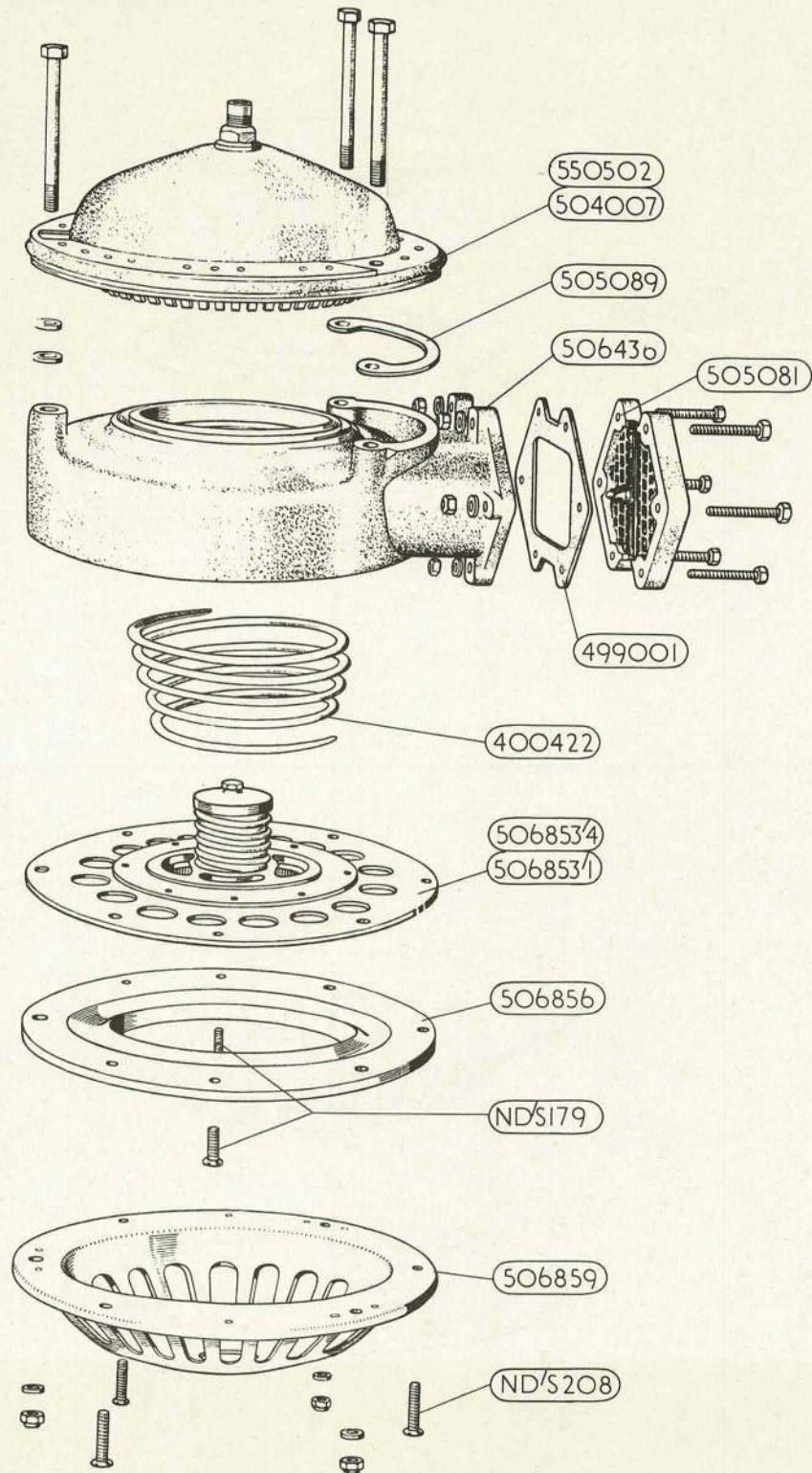
PLATE J6



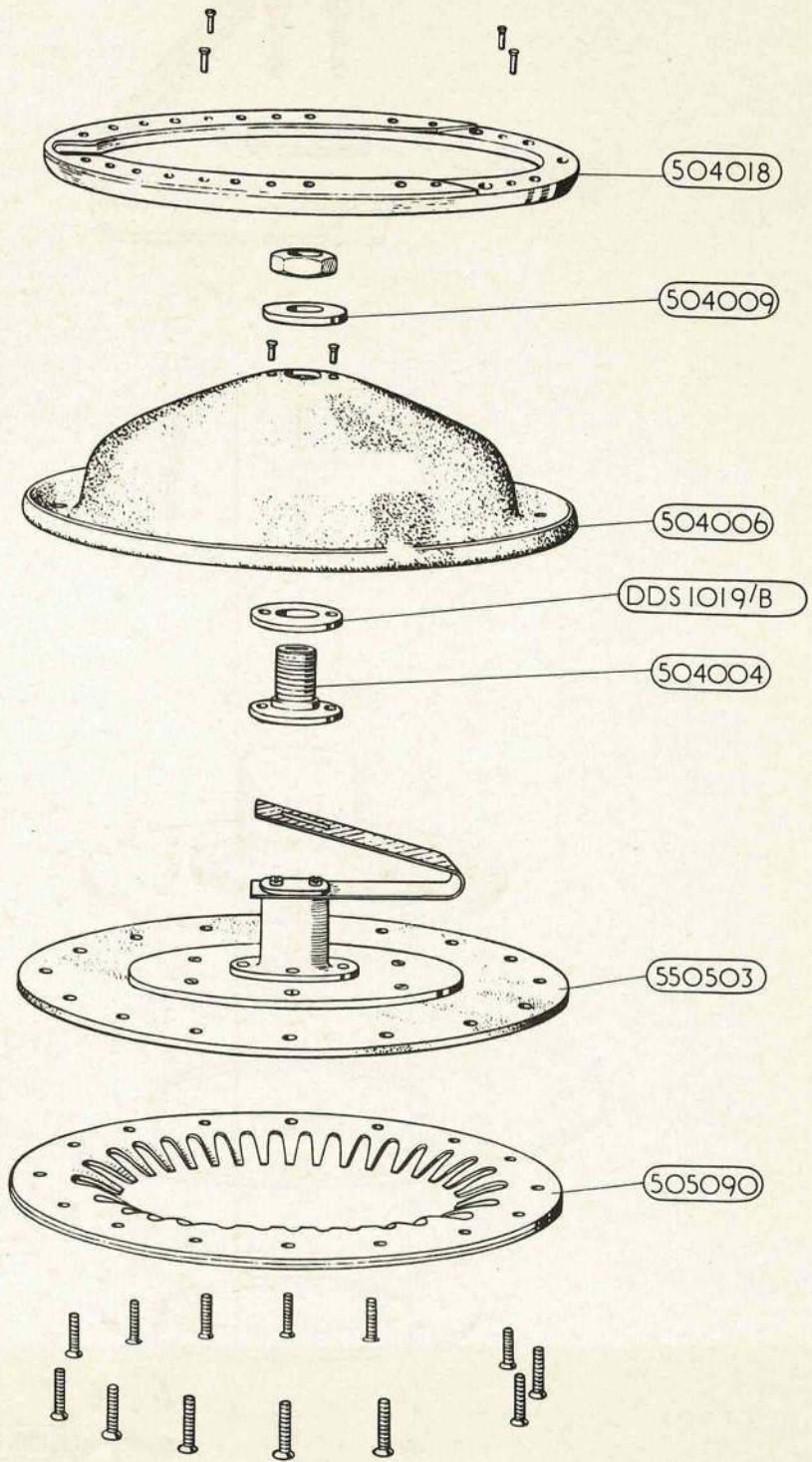
SHROUD ASSEMBLY



ASSEMBLIES VARIOUS

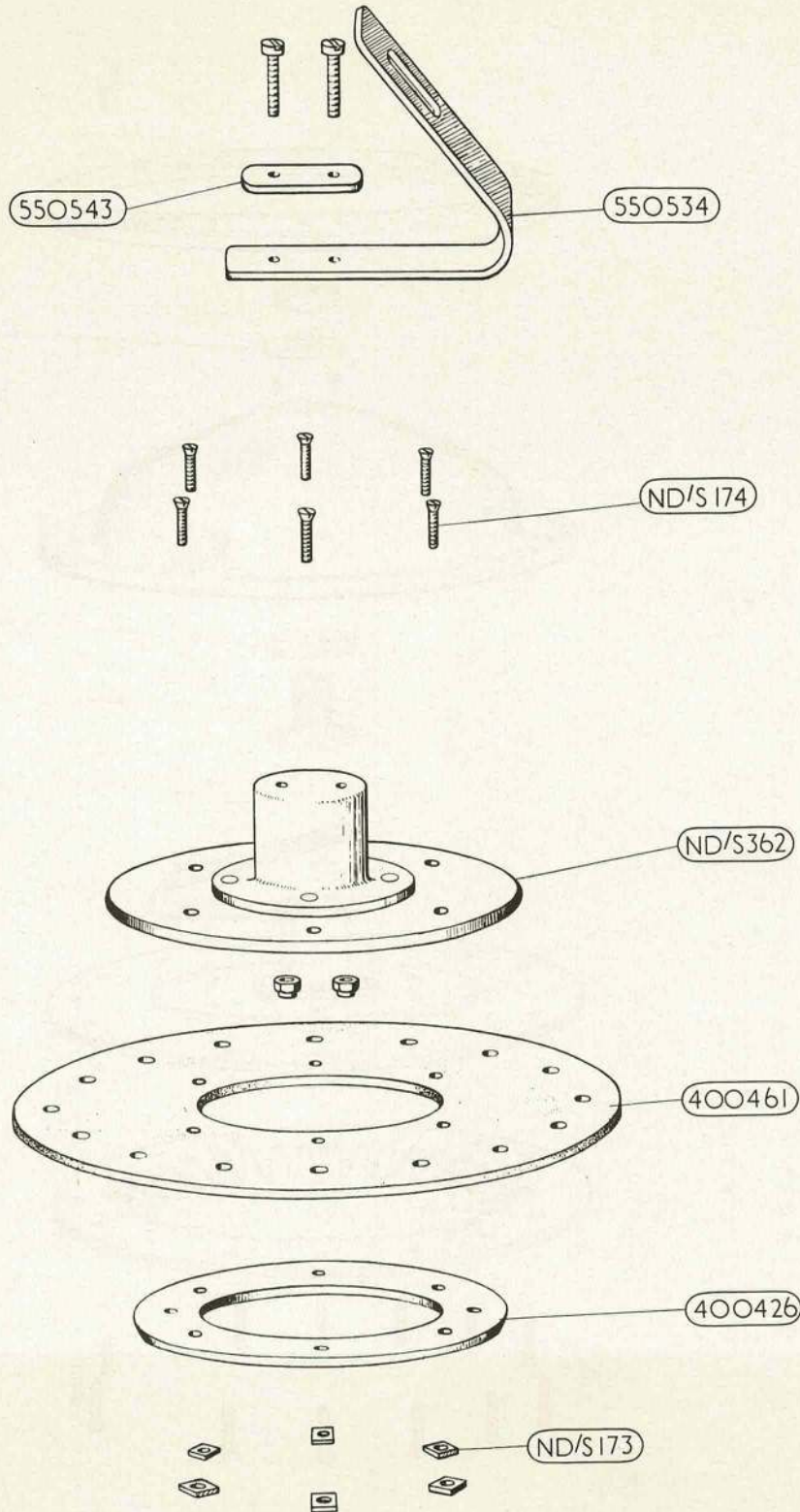


VALVE, COMBINED UNIT ASSEMBLY

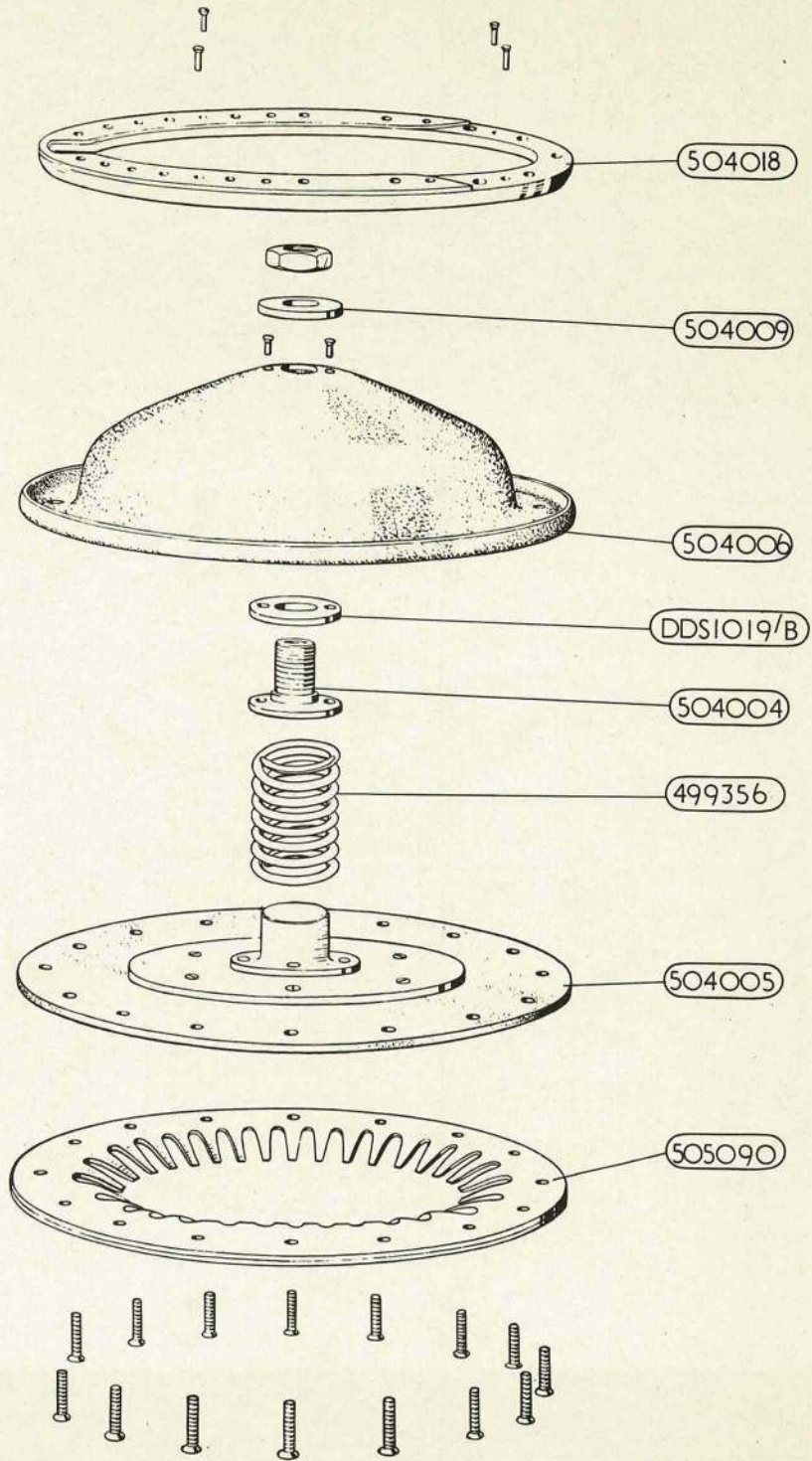


DIAPHRAGM AND COVER ASSEMBLY

PLATE J 10

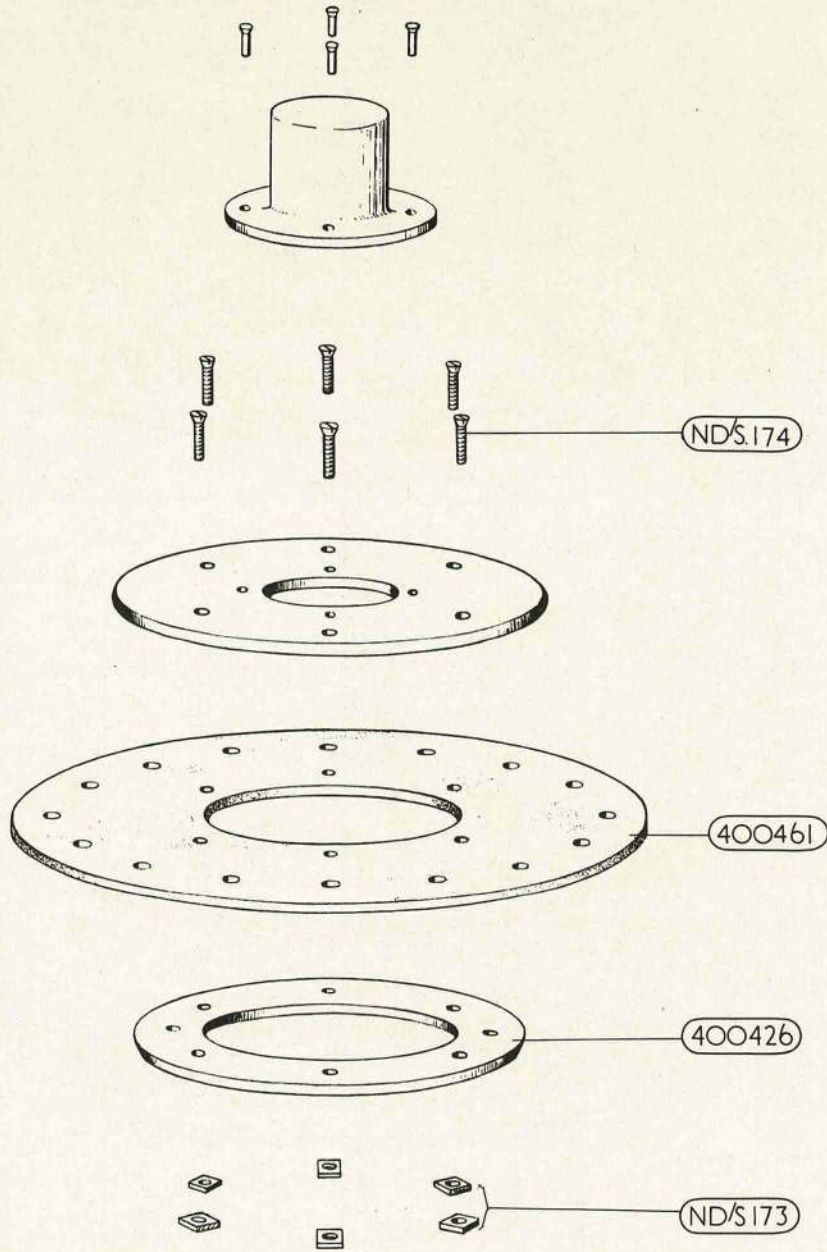


DIAPHRAGM ASSEMBLY

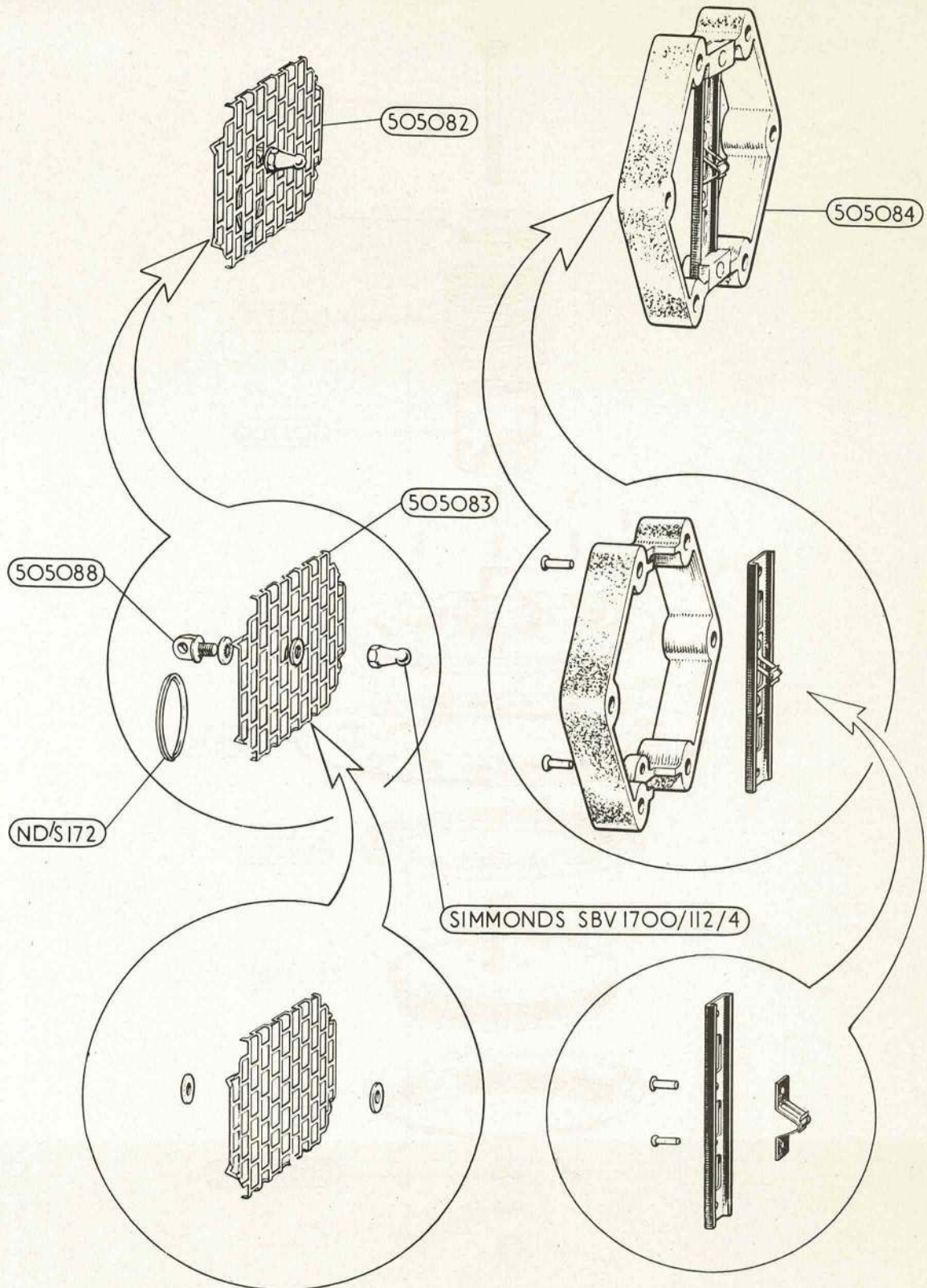


DIAPHRAGM AND COVER ASSEMBLY

PLATE J 12

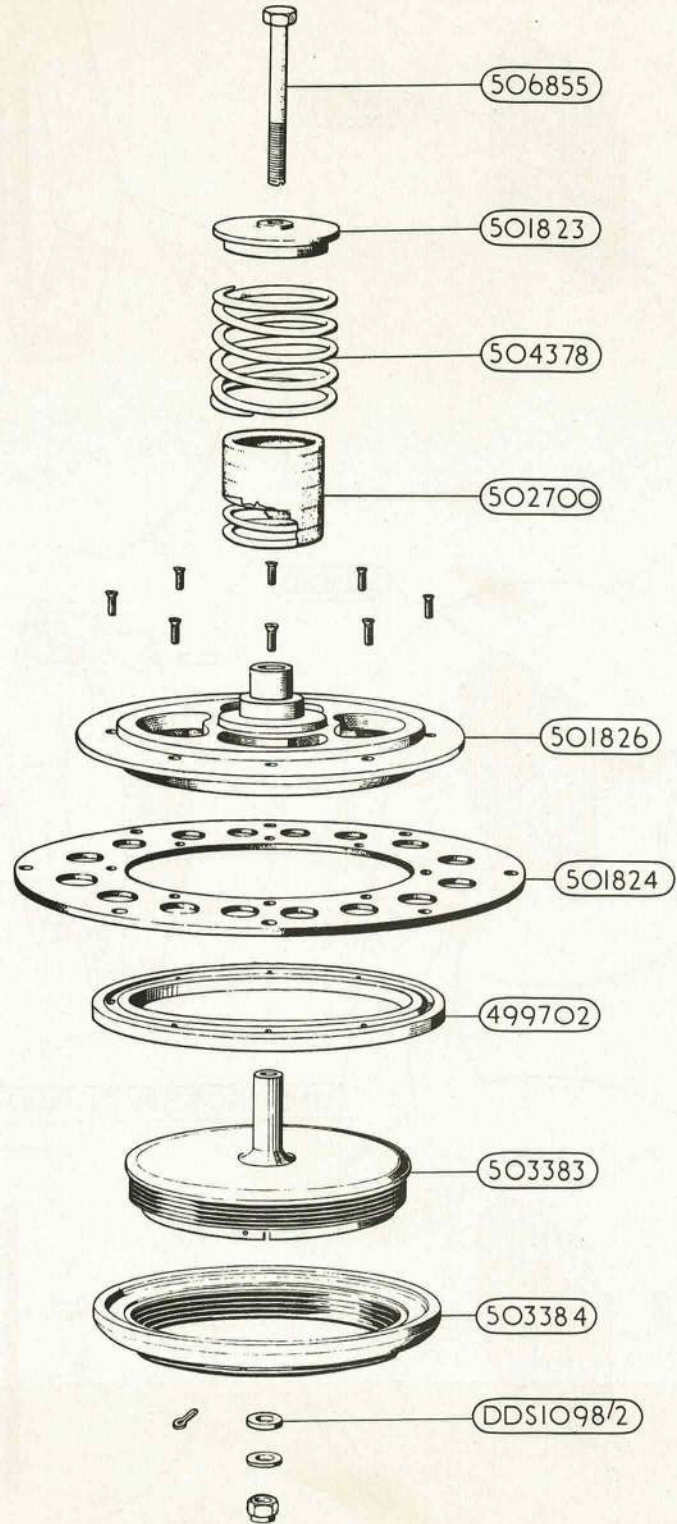


DIAPHRAGM ASSEMBLY

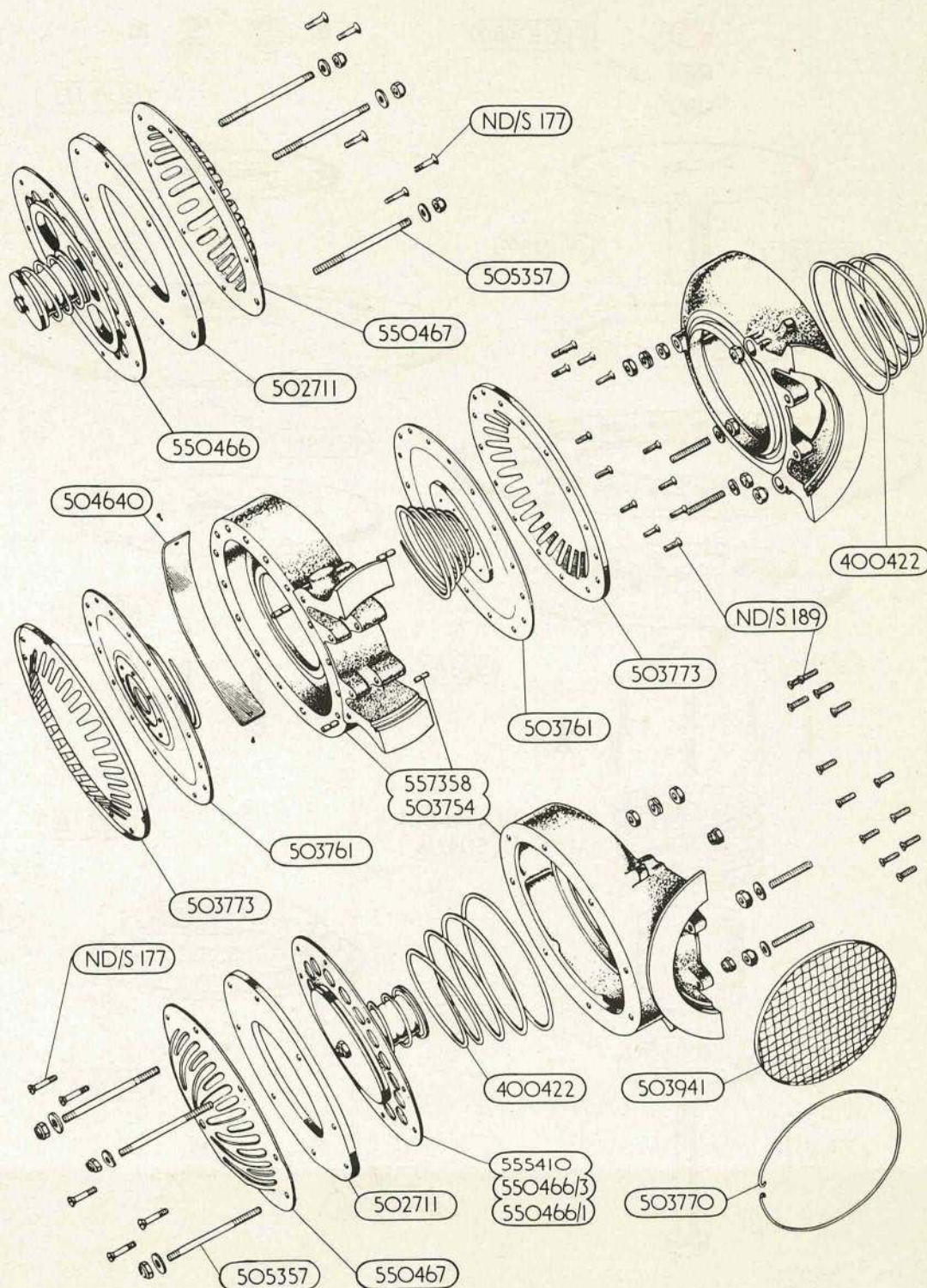


GRID, INLET PACKING PLATE ASSEMBLY

PLATE J14

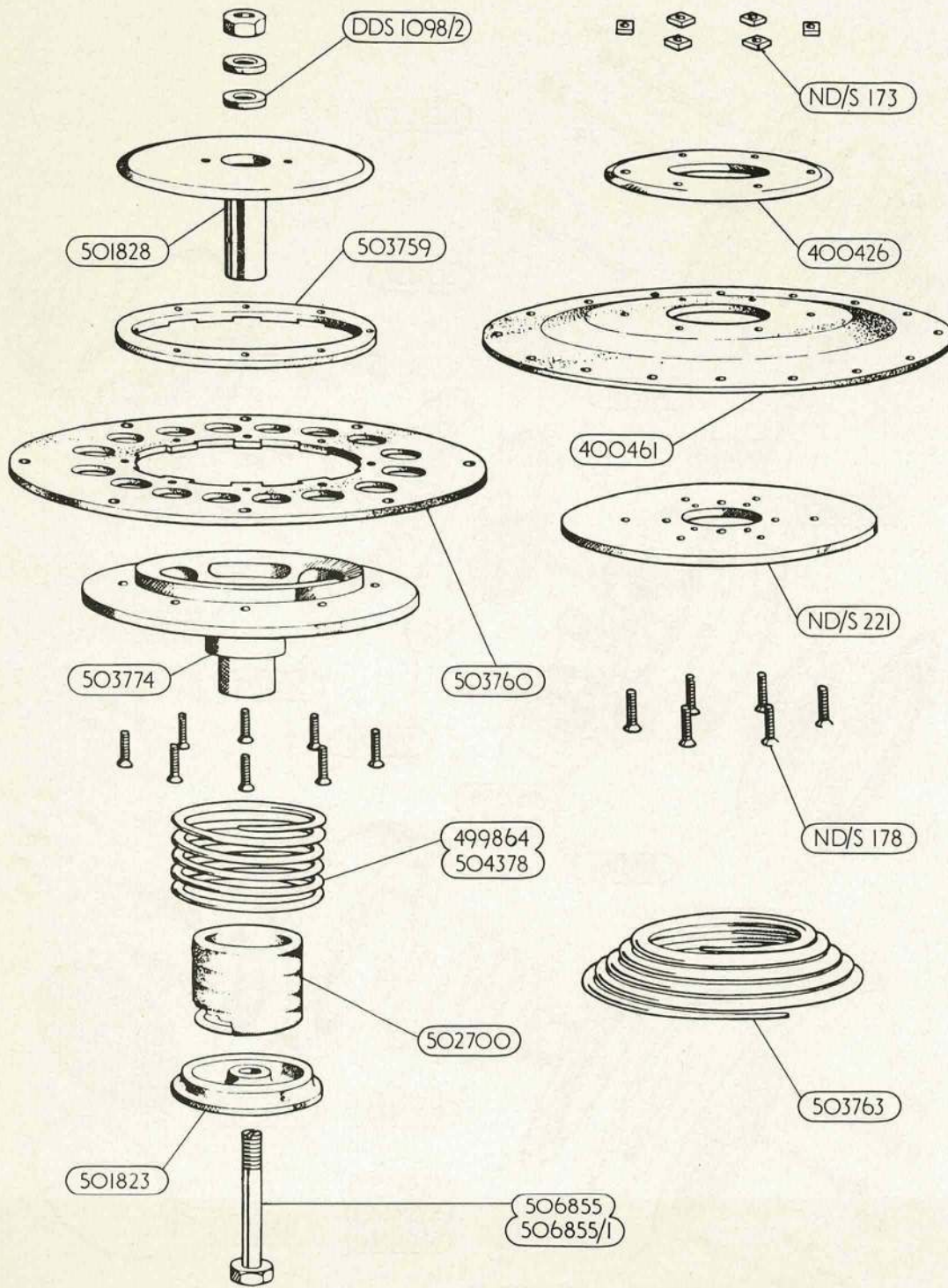


VALVE, INWARDS RELIEF ASSEMBLY

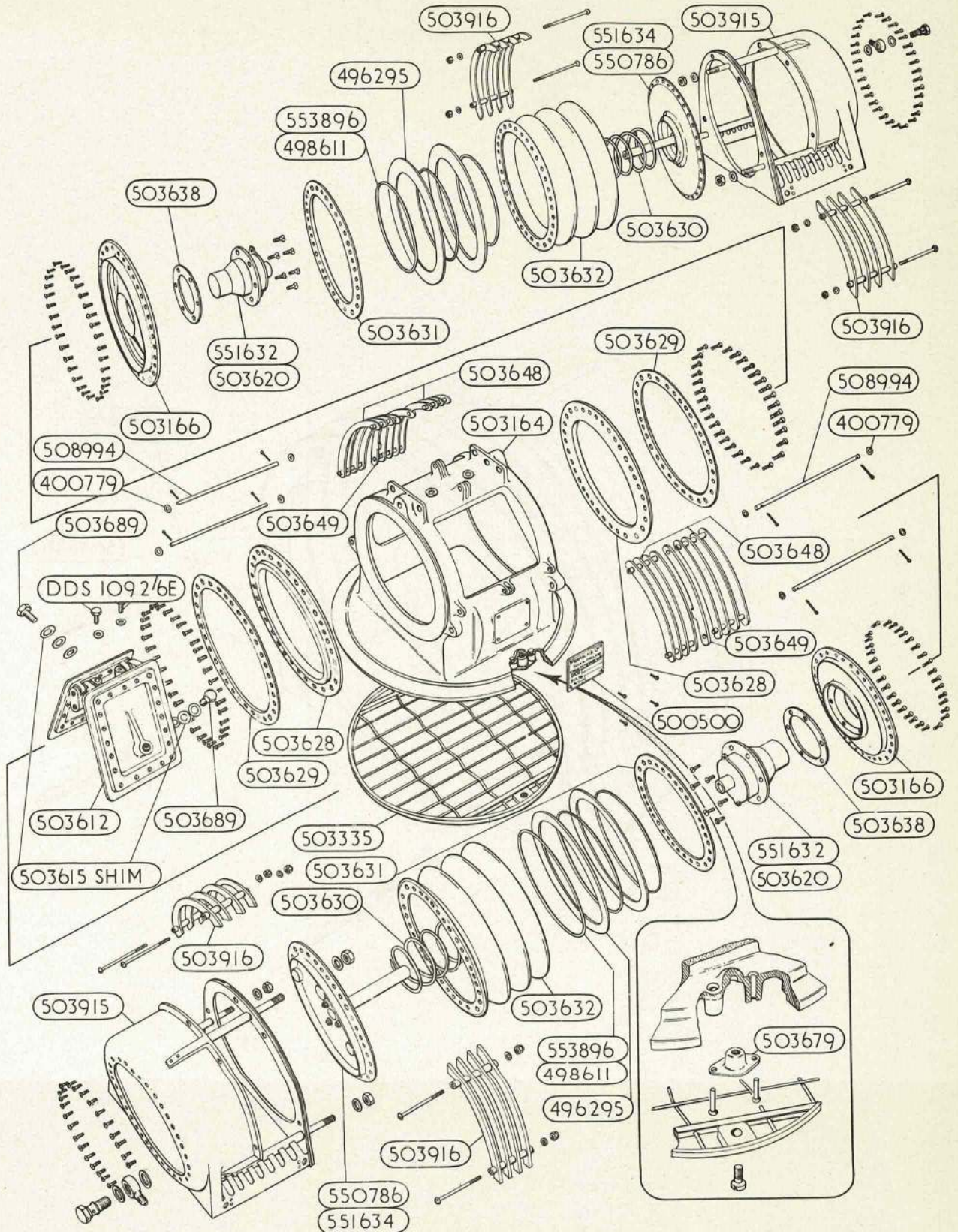


VALVE, COMBINED UNIT

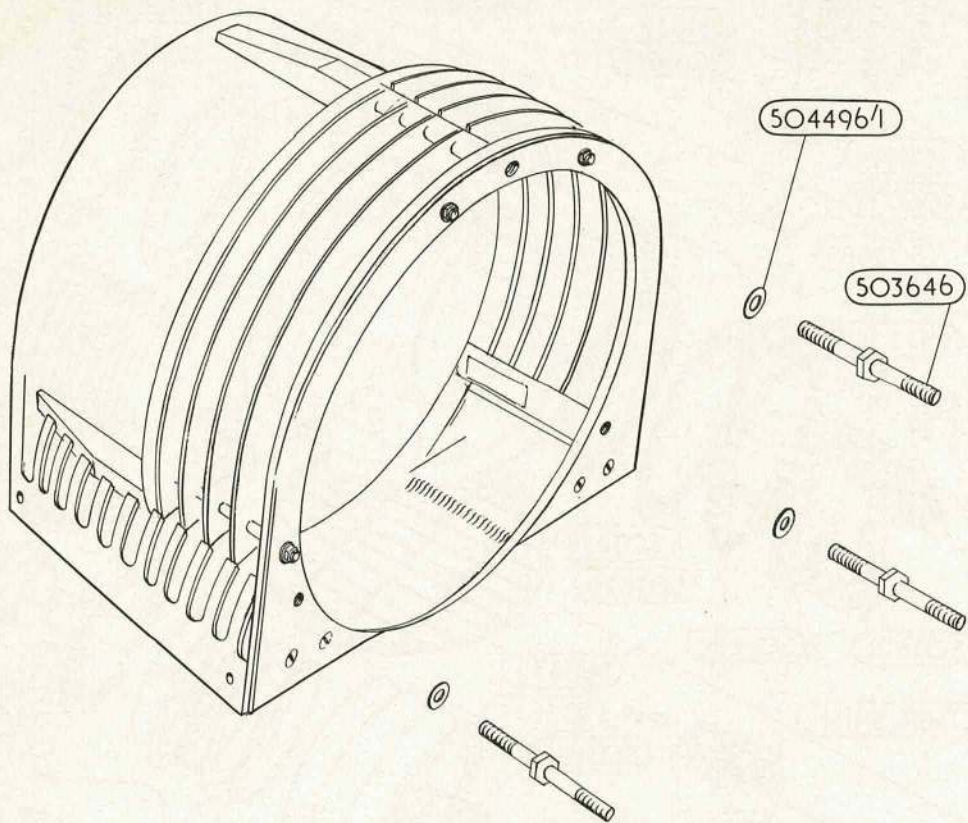
PLATE J16



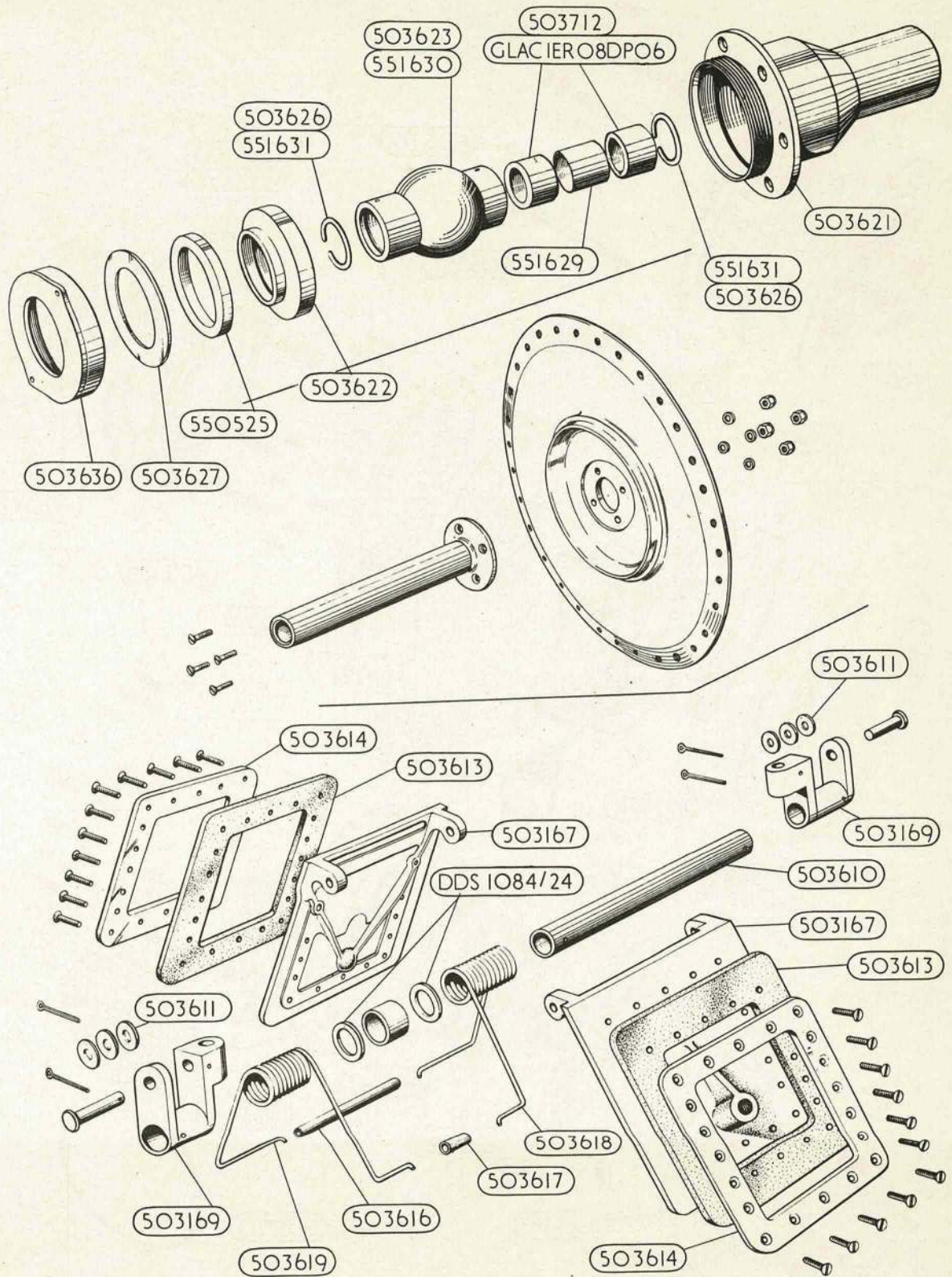
ASSEMBLIES . VARIOUS



VALVE COMBINED UNIT

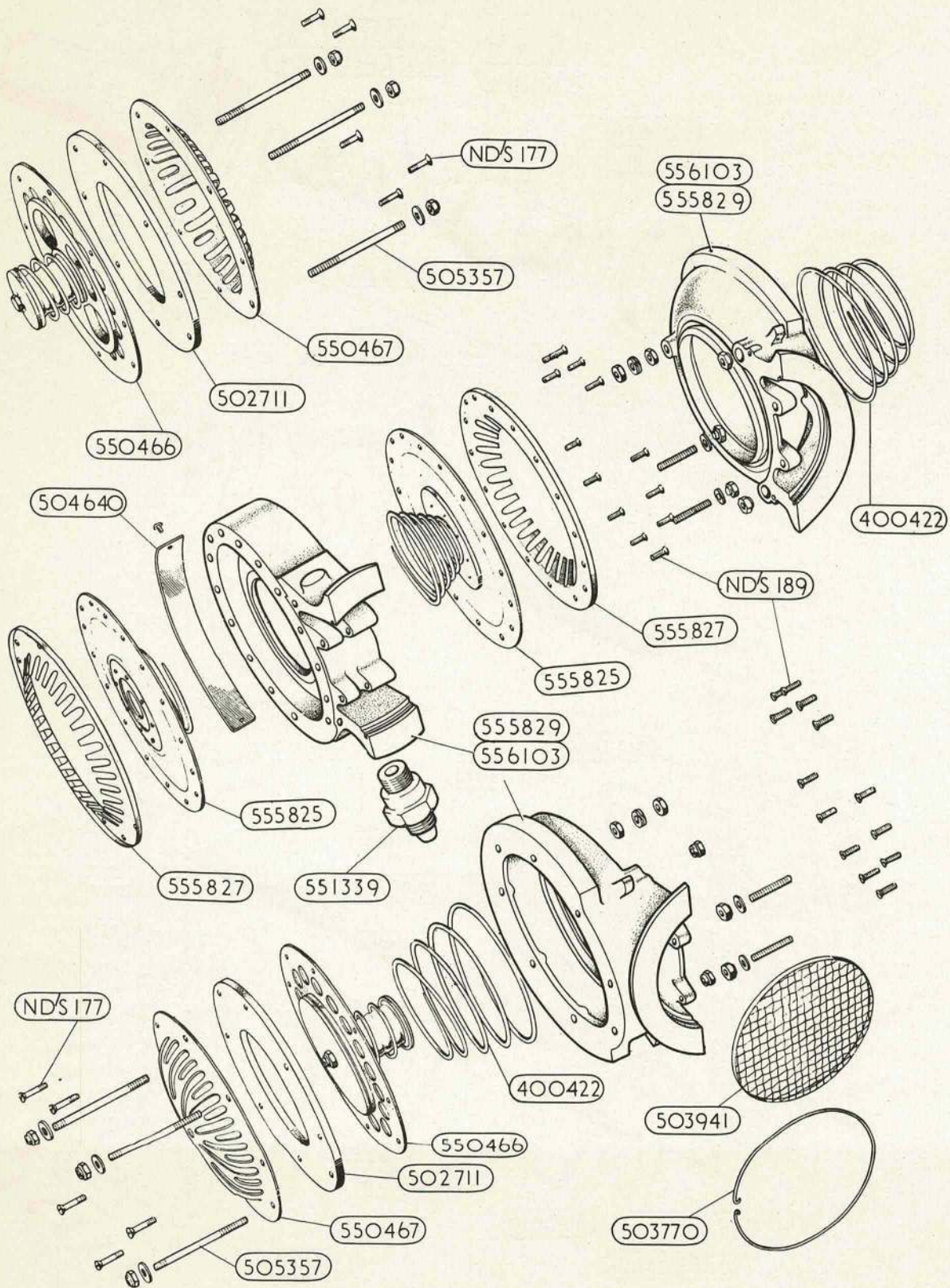


CASING, DISCHARGE VALVE ASSEMBLY

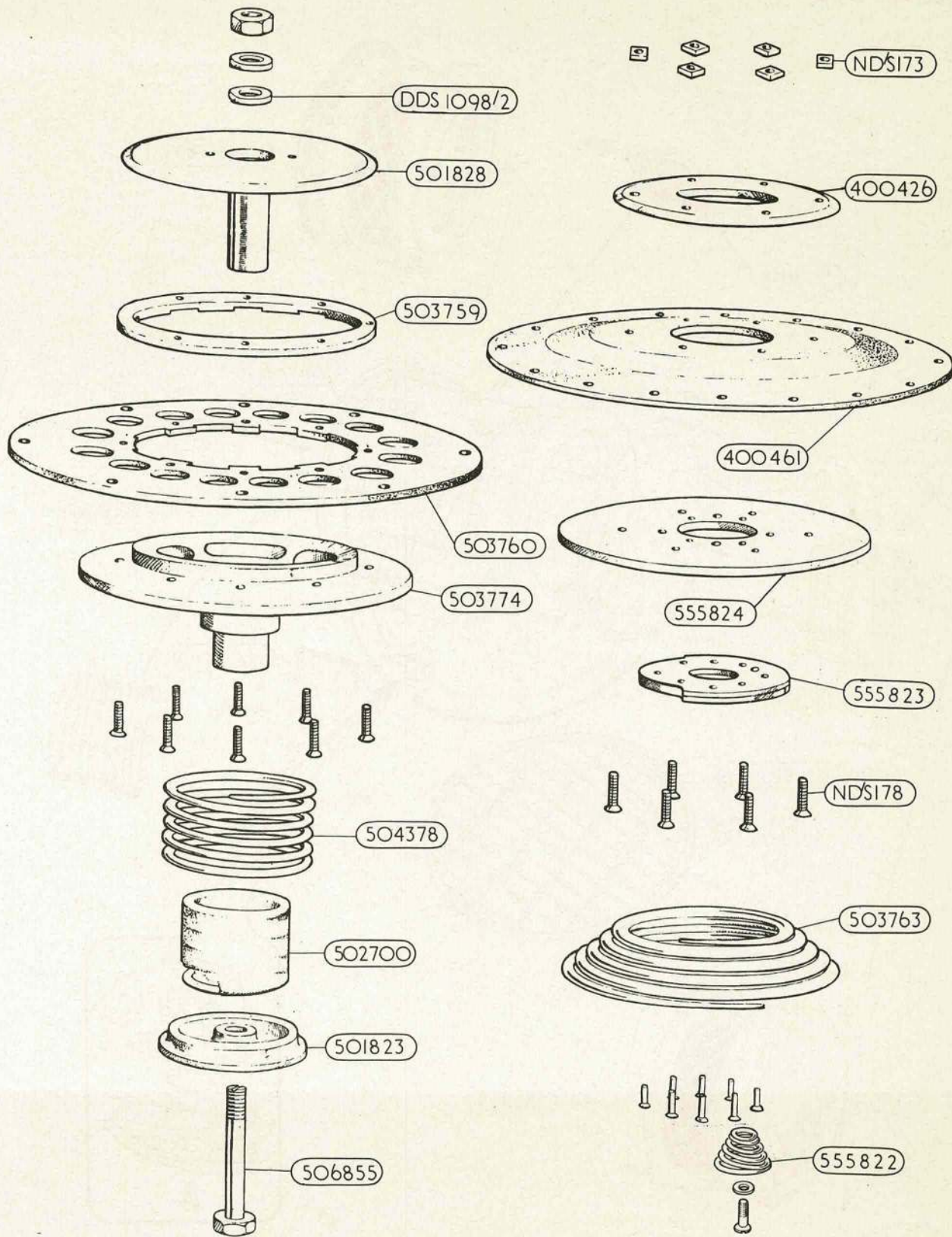


ASSEMBLIES VARIOUS

PLATE J 20

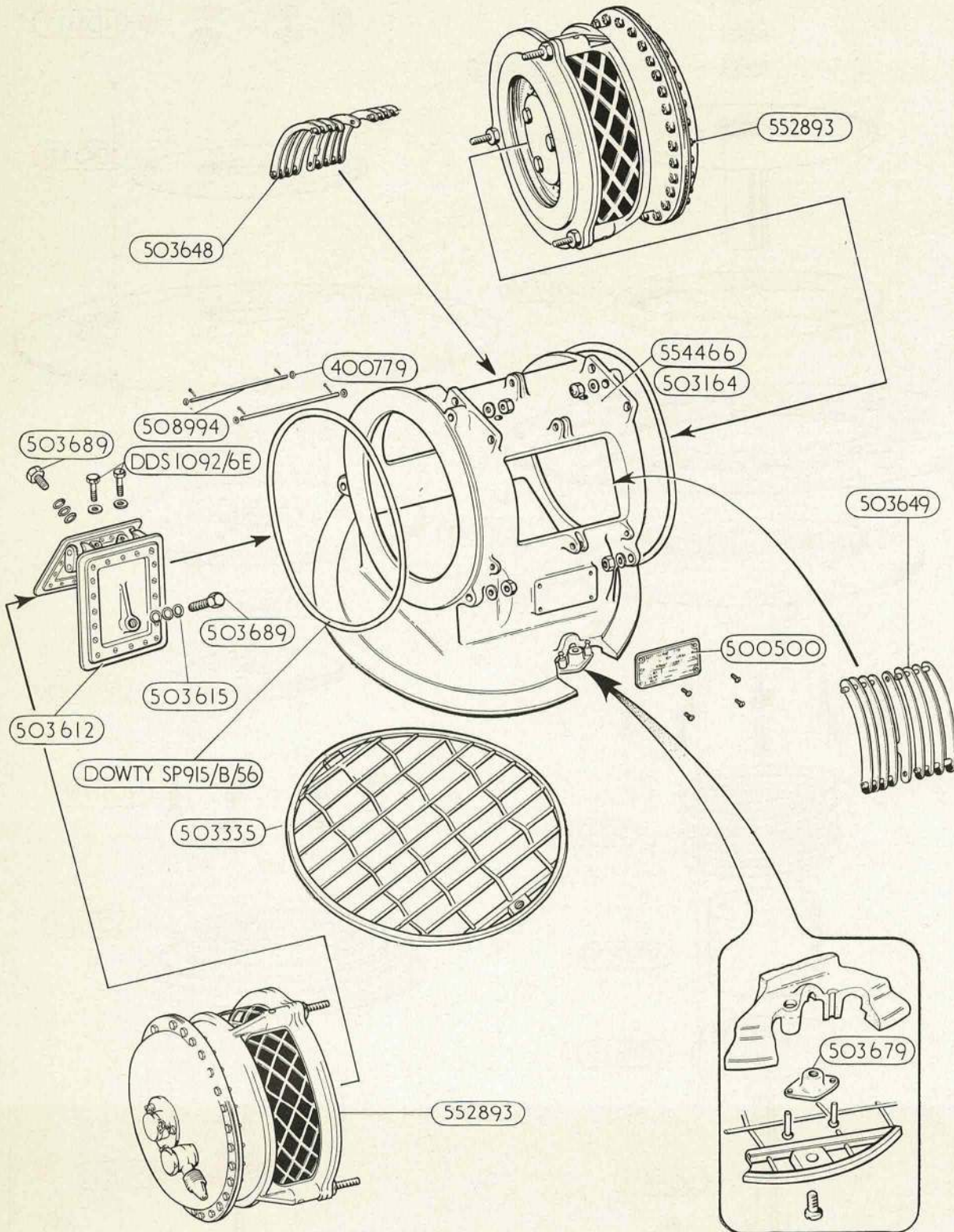


VALVE, COMBINED UNIT

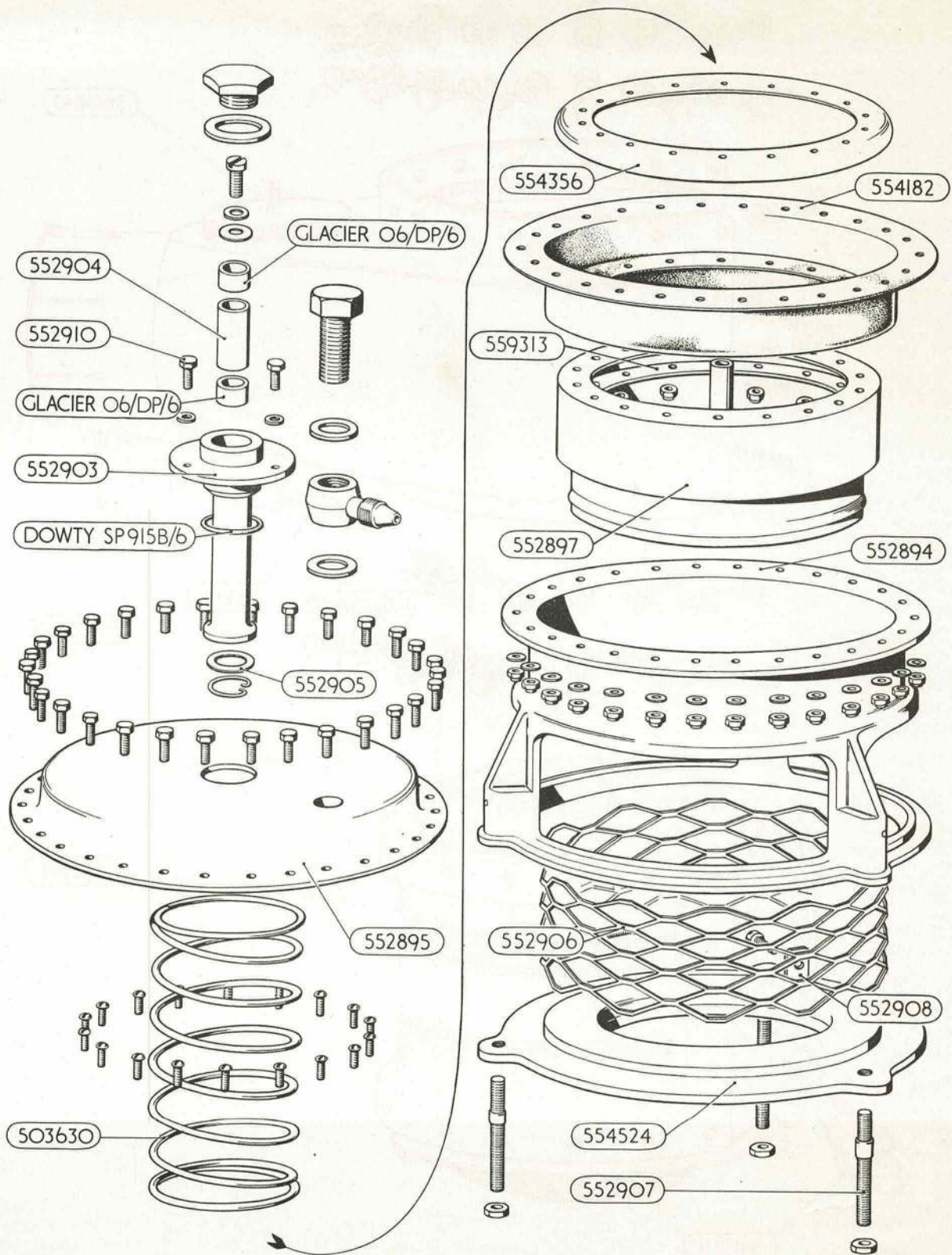


ASSEMBLIES VARIOUS

PLATE J 22

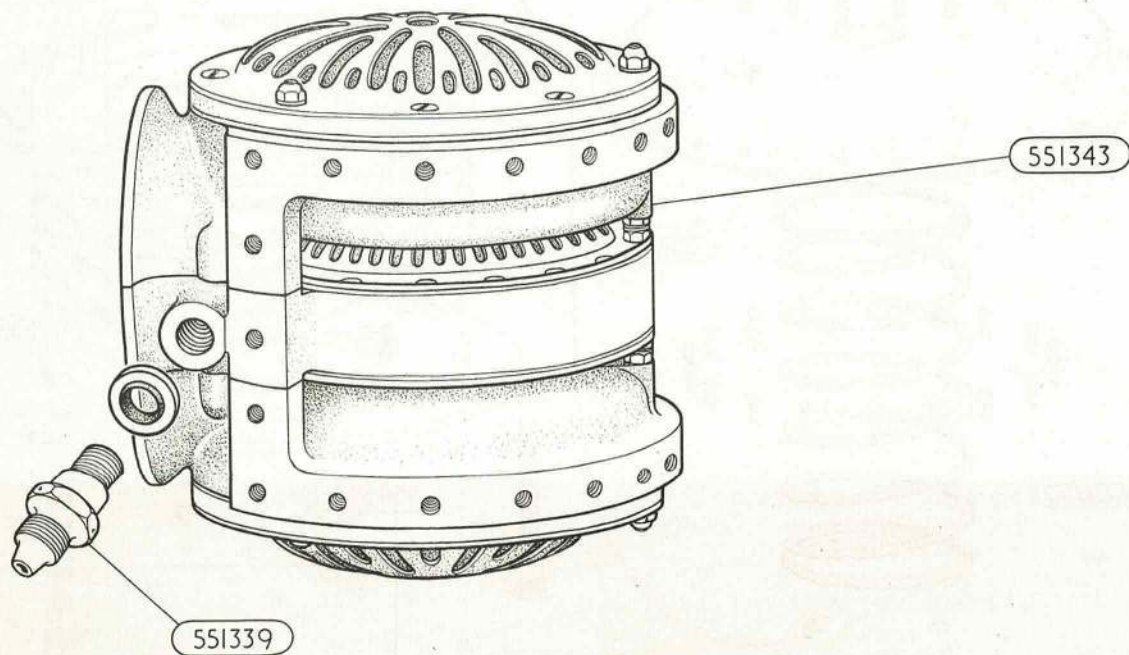
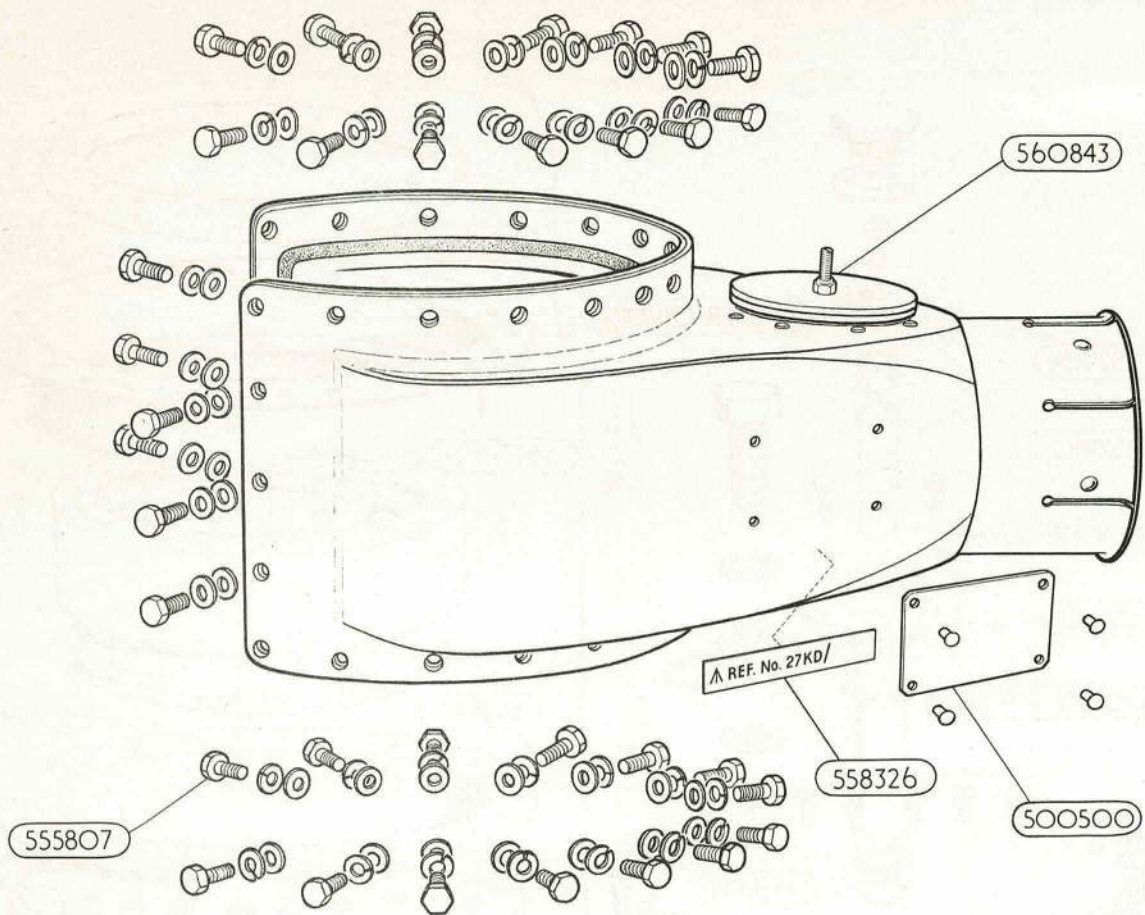


VALVE COMBINED UNIT

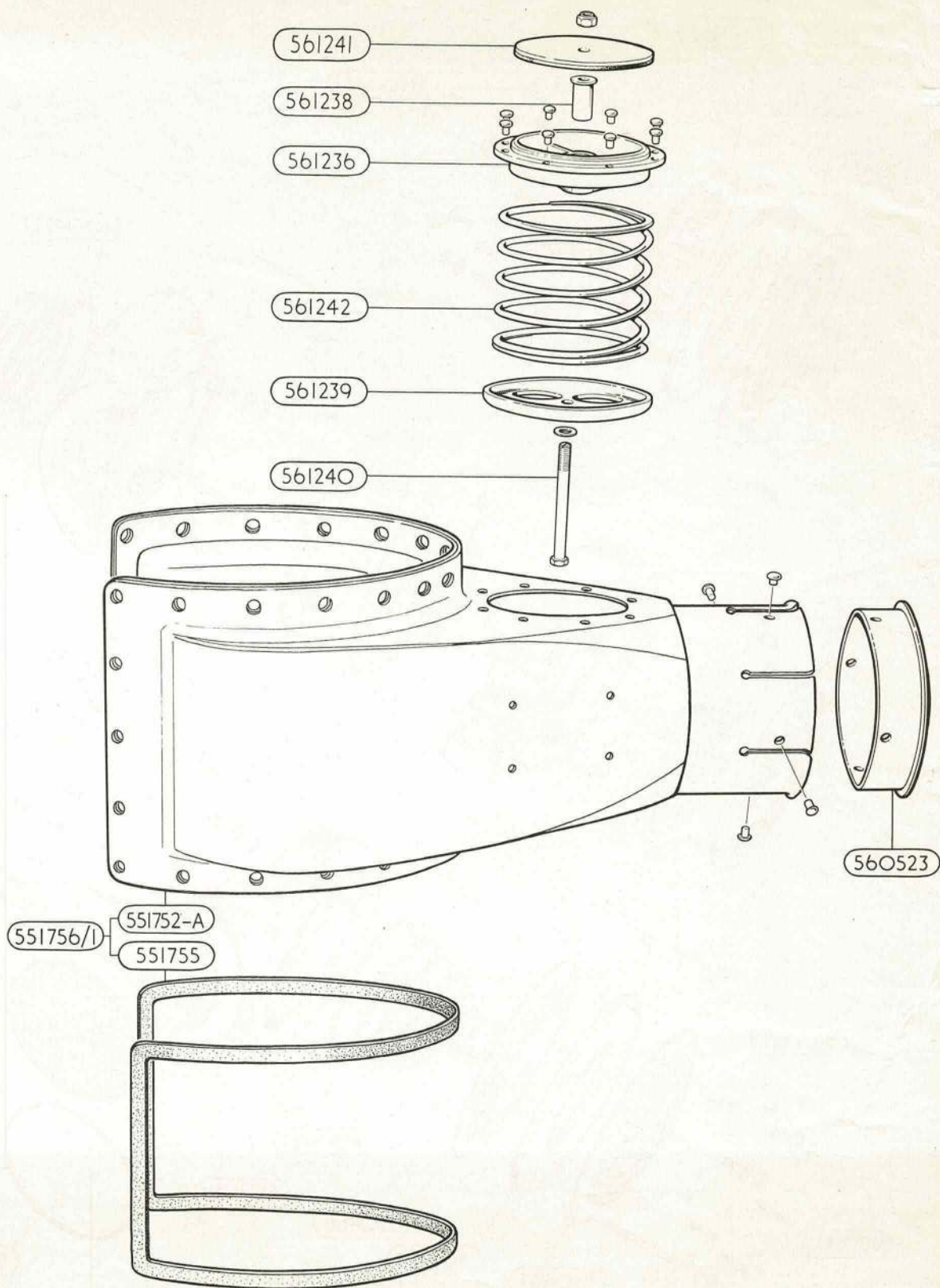


ASSEMBLIES, VARIOUS

PLATE J 24

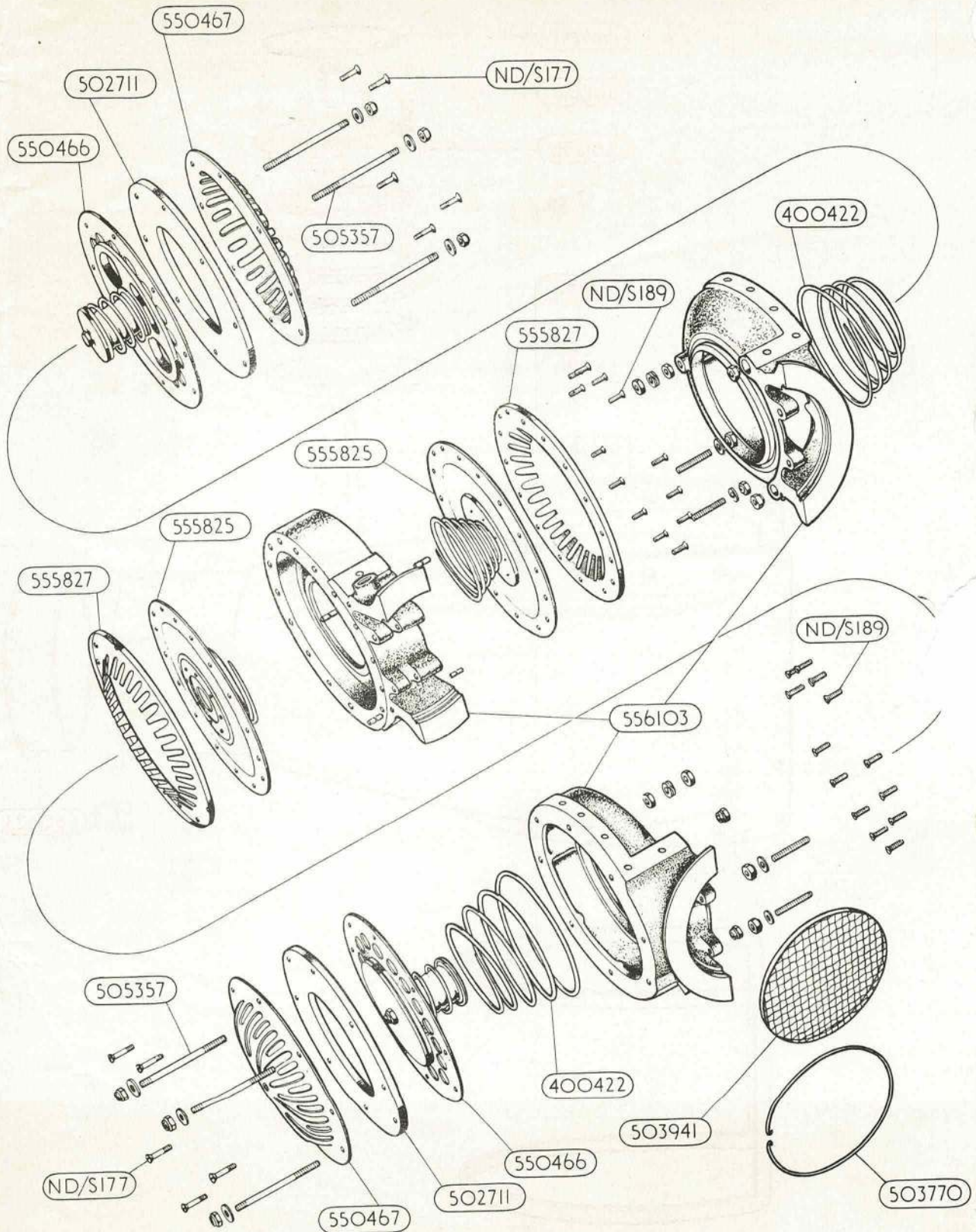


VALVE, COMBINED UNIT

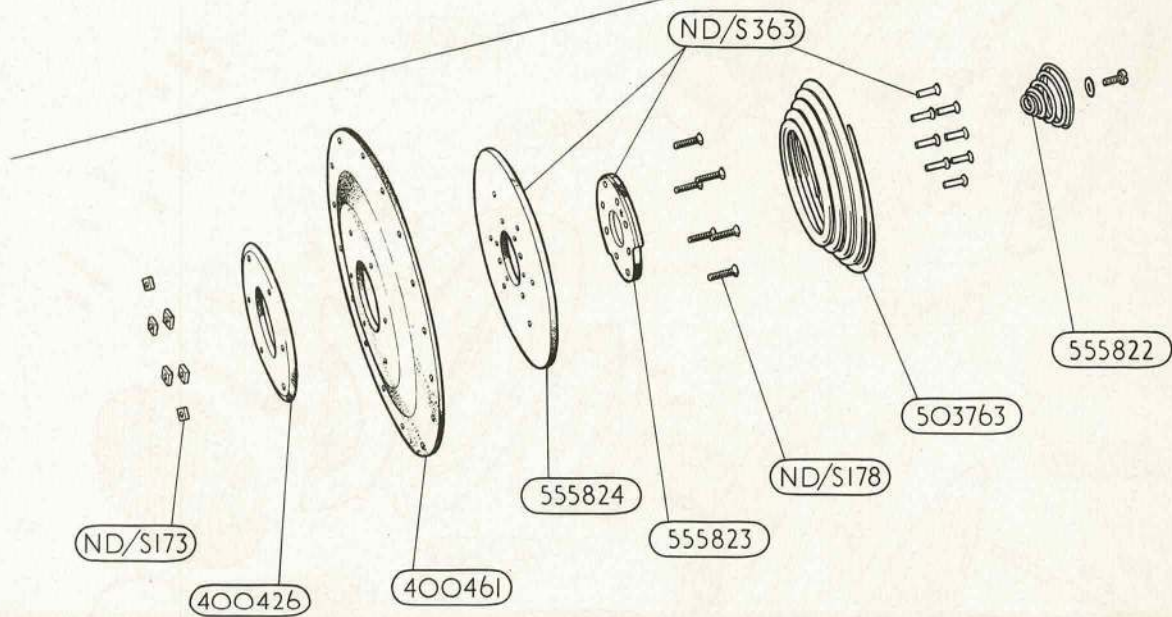
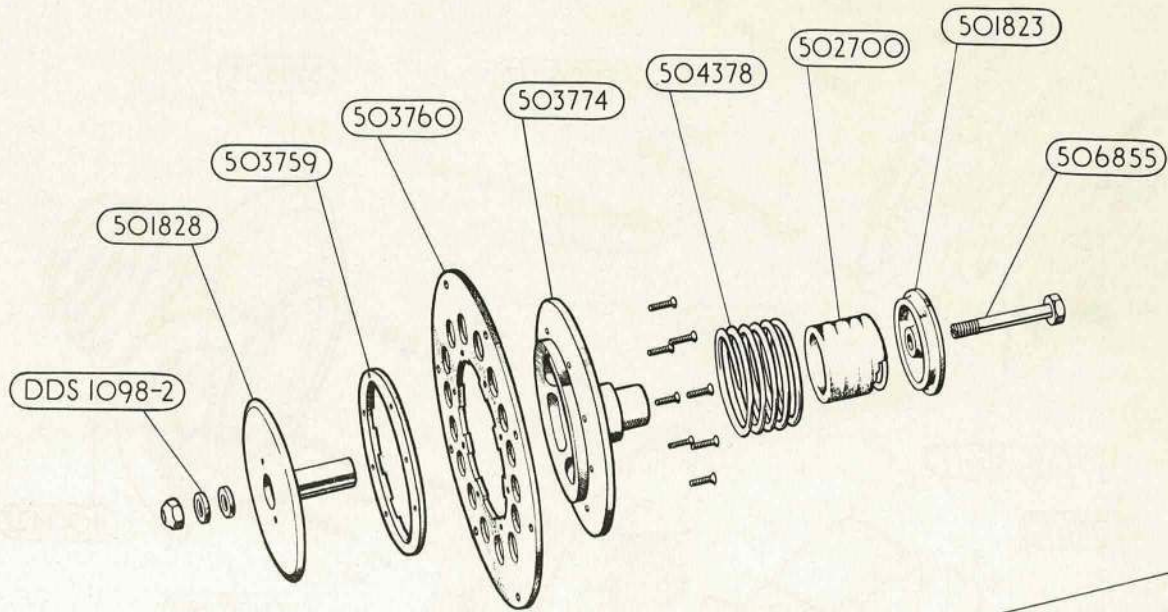


SHROUD & RELIEF VALVE ASSEMBLY

PLATE J26

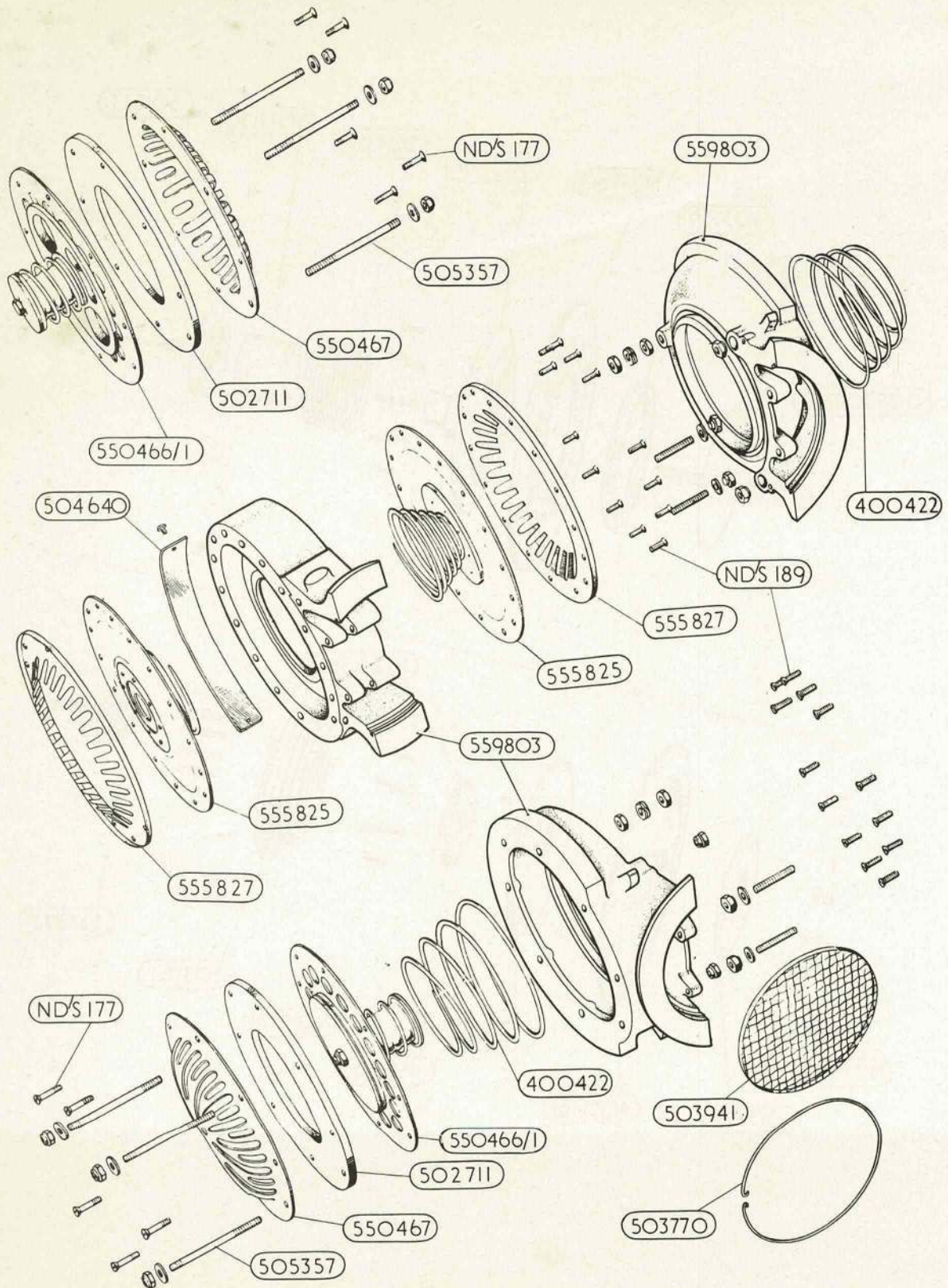


VALVE, COMBINED UNIT ASSEMBLY



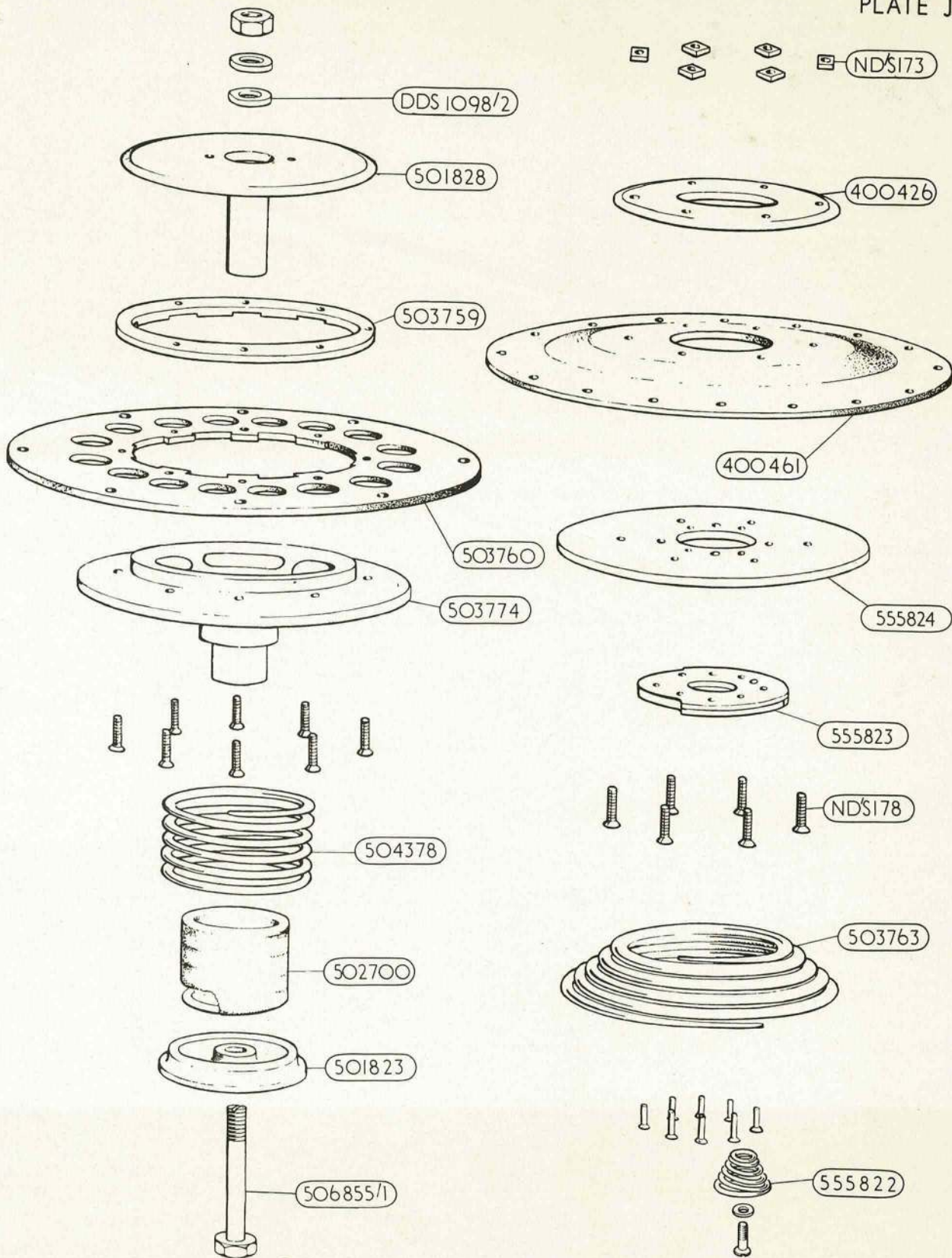
ASSEMBLIES, VARIOUS

PLATE J28



VALVE, COMBINED UNIT

PLATE J29



ASSEMBLIES VARIOUS



This file was downloaded
from the RTFM Library.

Link: www.scottbouch.com/rtfm

Please see site for usage terms,
and more aircraft documents.

