

**3** VALVES, NON-RETURN

## INDEX OF MAJOR UNITS

## SECTION M

MAJOR UNIT	DRAWING No.	PAGES
VALVE, NON RETURN	500457	M 1
VALVE, NON RETURN	501340	M 2
VALVE, NON RETURN	501670	M 3
VALVE, NON RETURN	505350	M 4
VALVE, NON RETURN	508190	M 5
VALVE, NON RETURN	509660	M 6
VALVE, NON RETURN	502830	M 7
VALVE, NON RETURN	503190	M 8
VALVE, NON RETURN	509820	M 9
VALVE, NON RETURN	511760	M 10
VALVE, NON RETURN	512130	M 11
VALVE, NON RETURN	512330	M 12
VALVE, NON RETURN	513600	M 13
VALVE, NON RETURN	512730	M 14
VALVE, NON RETURN	513930	M 15
VALVE, NON RETURN	515230	M 16
VALVE, NON RETURN	515240	M 17
VALVE, NON RETURN	512990	M 18
VALVE, NON RETURN	516570	M 19
VALVE, NON RETURN	512510	M 20
VALVE, NON RETURN	516140	M 21
VALVE, NON RETURN	515190	M 22
VALVE, NON RETURN	515690	M 23
VALVE, NON RETURN	503330	M 24
VALVE, NON RETURN	514550	M 25
VALVE, NON RETURN	512120	M 26
VALVE, NON RETURN	513080	M 27
VALVE, NON RETURN	513070	M 29
VALVE, NON RETURN	504390	M 31
VALVE, NON RETURN	506420	M 32
VALVE, NON RETURN	516410	M 33
VALVE, NON RETURN	501680	M 34
VALVE, NON RETURN	512220	M 35
VALVE, NON RETURN	515150	M 36
VALVE, NON RETURN	512700	M 37
VALVE, NON RETURN	517760	M 38
VALVE, NON RETURN	516390	M 39
VALVE, NON RETURN	512200/1	M 40
VALVE, NON RETURN	512500	M 41
VALVE, NON RETURN	515570	M 42
VALVE, NON RETURN	517750	M 43
VALVE, NON RETURN	518060	M 44
VALVE, NON RETURN	520290	M 45
VALVE, NON RETURN	520300	M 46
VALVE, NON RETURN	520310	M 47



TYPE / APPLICABILITY																
Section M — VALVES, NON RETURN																
ACCESSORY :- VALVE, NON RETURN 500457																
AIRCRAFT	MK	No. OFF	MK	No. OFF	MK	No. OFF	MK	No. OFF	MK	No. OFF	MK	No. OFF	MK	No. OFF	MK	No. OFF
CANBERRA	2	1	3	1	4	1	6	1	7	1	8	1				
VALVE, NON RETURN 501340																
SEA VAMPIRE SWIFT	5	1 1	7	1												
VALVE, NON RETURN 501670																
CANBERRA VULCAN SWIFT	3 5	2 2 2	7 7	2 2	8	2										
VALVE, NON RETURN 505350																
VULCAN		2														

TYPE / APPLICABILITY

Section M — VALVES, NON RETURN

ACCESSORY :-		VALVE, NON RETURN 508190														
AIRCRAFT	MK	No. OFF	MK	No. OFF	MK	No. OFF	MK	No. OFF	MK	No. OFF	MK	No. OFF	MK	No. OFF	MK	No. OFF
VULCAN		1														
		VALVE, NON RETURN 509660														
VICTOR		5														
		VALVE, NON RETURN 502830														
COMET		1														
		VALVE, NON RETURN 503190														
COMET		1														

TYPE / APPLICABILITY																
Section M — VALVES, NON RETURN																
ACCESSORY :- VALVE, NON RETURN 509820																
AIRCRAFT	MK	No. OFF	MK	No. OFF	MK	No. OFF	MK	No. OFF	MK	No. OFF	MK	No. OFF	MK	No. OFF	MK	No. OFF
SCIMITAR		1														
VALVE, NON RETURN 511760																
VULCAN		1														
VALVE, NON RETURN 512130																
VULCAN		1														
VALVE, NON RETURN 512330																
VULCAN		1														

TYPE / APPLICABILITY

Section M — VALVES, NON RETURN

ACCESSORY :-																
VALVE, NON RETURN 516140																
AIRCRAFT	MK	No. OFF	MK	No. OFF	MK	No. OFF	MK	No. OFF	MK	No. OFF	MK	No. OFF	MK	No. OFF	MK	No. OFF
SEA VIXEN		1														
VALVE, NON RETURN 515190																
SEA VIXEN		1														
VALVE, NON RETURN 513070																
BRITANNIA	1	4														
VALVE, NON RETURN 512120																
SEA VENOM		1														

TYPE / APPLICABILITY																
Section M — VALVES, NON RETURN																
ACCESSORY :-		VALVE, NON RETURN 513600														
AIRCRAFT	MK	No. OFF	MK	No. OFF	MK	No. OFF	MK	No. OFF	MK	No. OFF	MK	No. OFF	MK	No. OFF	MK	No. OFF
VULCAN	1 2	1 1														
		VALVE, NON RETURN 512730														
SCIMITAR		1														
		VALVE, NON RETURN 513930														
SCIMITAR LIGHTING		1 1		4	1											
		VALVE, NON RETURN 515230														
SCIMITAR		1														

TYPE / APPLICABILITY

Section M — VALVES, NON RETURN

ACCESSORY :- VALVE, NON RETURN 515240																
AIRCRAFT	MK	No. OFF	MK	No. OFF	MK	No. OFF	MK	No. OFF	MK	No. OFF	MK	No. OFF	MK	No. OFF	MK	No. OFF
SCIMITAR		1														
VALVE, REVERSIBLE NON RETURN 512990																
VULCAN	1	1	2	1												
VALVE, NON RETURN 516570																
SEA VIXEN		1														
VALVE, NON RETURN 512510																
SEA VIXEN		1														
VULCAN	1	1	2	1												

TYPE / APPLICABILITY																
Section M — VALVES, NON RETURN																
ACCESSORY :- VALVE, NON RETURN 512220																
AIRCRAFT	MK	No. OFF	MK	No. OFF	MK	No. OFF	MK	No. OFF	MK	No. OFF	MK	No. OFF	MK	No. OFF	MK	No. OFF
CANBERRA	9	1														
VALVE, NON RETURN 515150																
CANBERRA	9	2														
VICTOR	2	2														
VALVE, NON RETURN 512700																
GANNET		1														
VALVE, NON RETURN 517760																
VULCAN	1	4	2	4												

TYPE / APPLICABILITY

Section M — VALVES, NON RETURN

ACCESSORY :- VALVE, NON RETURN 516390																
AIRCRAFT	MK	No. OFF	MK	No. OFF	MK	No. OFF	MK	No. OFF	MK	No. OFF	MK	No. OFF	MK	No. OFF	MK	No. OFF
VICTOR	2	1														
VALVE, NON RETURN 512200/1																
LIGHTNING		1														
VALVE, NON RETURN 512500																
VAMPIRE SEA VAMPIRE		1 1														
VALVE, NON RETURN 515570																
VICTOR VICTOR	2	1 1														

TYPE / APPLICABILITY																		
Section M — VALVES, NON RETURN																		
ACCESSORY :- VALVE, NON RETURN 515690																		
AIRCRAFT	MK	No. OFF	MK	No. OFF	MK	No. OFF	MK	No. OFF	MK	No. OFF	MK	No. OFF	MK	No. OFF	MK	No. OFF	MK	No. OFF
BRITANNIA	1	2																
VALVE, NON RETURN 503330																		
BRITANNIA	1	2																
VALVE, NON RETURN 514550																		
BRITANNIA	1	4																
VALVE, NON RETURN 513080																		
BRITANNIA	1	2																

TYPE / APPLICABILITY																
Section M — VALVES, NON RETURN																
ACCESSORY :- VALVE, NON-RETURN 506420																
AIRCRAFT	MK	No. OFF	MK	No. OFF	MK	No. OFF	MK	No. OFF	MK	No. OFF	MK	No. OFF	MK	No. OFF	MK	No. OFF
LIGHTNING		1														
VALVE, NON RETURN 504390																
LIGHTNING		1														
VALVE, NON RETURN 516410																
LIGHTNING VICTOR	2	1 1														
VALVE, NON RETURN 501680																
CANBERRA	9	1														

TYPE / APPLICABILITY																
Section M — VALVES, NON RETURN																
ACCESSORY :-		VALVE, NON RETURN 517750														
AIRCRAFT	MK	No. OFF	MK	No. OFF	MK	No. OFF	MK	No. OFF	MK	No. OFF	MK	No. OFF	MK	No. OFF	MK	No. OFF
LIGHTNING		1														
VALVE, NON RETURN 518060																
VULCAN MK2	2	1														
VALVE, NON RETURN 520290																
LIGHTNING	2	1														
VALVE, NON RETURN 520300																
LIGHTNING	2	1														

TYPE / APPLICABILITY

ACCESSORY :-

VALVE, NON, RETURN 520310

AIRCRAFT	MK	No. OFF	MK	No. OFF	MK	No. OFF	MK	No. OFF	MK	No. OFF	MK	No. OFF	MK	No. OFF	MK	No. OFF
LIGHTNING	2.	1														

VALVE, NON RETURN 519000

SEA VIXEN.		2.														
------------	--	----	--	--	--	--	--	--	--	--	--	--	--	--	--	--

VALVE NON RETURN 520350

VAMPIRE		1														
SEA VAMPIRE		1														

VALVE NON RETURN 521480

LIGHTNING	2	1														
-----------	---	---	--	--	--	--	--	--	--	--	--	--	--	--	--	--

VALVES, NON RETURN

Ref. No.	Part No.	Description	No. Off	Matl. Spec.	CL. OF ST.	Plate No.
					M.R.	
		1 2 3 4 5				
7	500457	VALVE, NON RETURN 2.500" ... ..	1	—	A	M 1
		Spares for :—				
283	500296	BODY ... ..	1	DTD.281	B	M 1
534	500500	NAMEPLATE (R.N.) ... ..	1	L.4	C	M 1
28S/6470	2R 3/16	Screw ... ..	4	—	C	
	553090	NUT (MOD. 85) (Make from 28M/13775) ...	2	S.94		M 1
285	500298	PIN, hinge... ..	2	DTD.126	C	M 1
284	500297	PLATE, valve ... ..	1	DTD.281	C	M 1
28L/778	A16Y/GT	Nut (PRE. MOD. 85) ... ..	2	—	C	
28W/9419474	SP15/B	Washer ... ..	2	—	C	

VALVES, NON RETURN

Ref. No.	Part No.	Description					No. Off	Matl. Spec.	CL. OF ST.		Plate No.
		1	2	3	4	5			M.R.	L.M.	
44	501340	<b>VALVE, NON RETURN 1.000"</b> ... ..					1	—	A	M2	
		Spares for :—									
89	503322	<b>BODY</b> ... ..					1	L.35	B	M2	
289	503325	<b>GASKET</b> ... ..					1	KLING.	C	M2	
291	503326	<b>GASKET</b> ... ..					1	KLING.	C	M2	
567	503327	<b>NAMEPLATE (R.N.)</b> ... ..					1	L.17	C	M2	
285/6470	2R 3/16	Screw ... ..					4	—	C		
	553093	<b>LOCKNUT (MOD. 2AR)</b> ... ..					2	S.94		M2	
287	501345	<b>PIN, hinge</b> ... ..					2	S.2	C	M2	
812	501344	<b>PLATE, cover</b> ... ..					1	2L.42	C	M2	
28L/13124	A27/CT	Nut, lock ( <b>PRE. MOD. 2AR</b> ) ... ..					2	—	C		
28W/12675	SP25/Z	Washer ( <b>AMDT. 4AR</b> ) ... ..					2	—	C		
290	503323	<b>SEATING</b> ... ..					1	L.42	C	M2	
292	503324	<b>UNION, end</b> ... ..					1	L.42	C	M2	
28D/13447	A25/21C	Bolt ... ..					3	—	C		
28M/10328	AGS.2002/C1	Nut ... ..					3	—	C		
288	DDS.1084/10	<b>WASHER</b> ... ..					8	DTD.124	C	M2	
286	501347	<b>WASHER (PRE. AMDT. 4AR)</b> ... ..					2	BS.265	C	M2	

VALVES, NON RETURN

Ref. No.	Part No.	Description	No. Off	Matl. Spec.	CL. OF ST.			Plate No.
					M.R.	L.M.		
6	501670	VALVE, NON RETURN 2.000" ... ..	1	—	A		M 3	
		Spares for :—						
277	501672	BODY (PRE. MOD. 15AC) ... ..	1	L.35	B			
	560036	BODY (MOD. 15AC) ... ..	1	L.35			M 3	
279	DDS.1092/1C	BOLT ... ..	4	M.5	C		M 3	
28W/9419402	SP13/C	Washer, 2 B.A. ... ..	4	—	C			
499	501665	CAP, end ... ..	2	L.42	C		M 3	
567	503327	NAMEPLATE (R.N.) ... ..	1	L.4	C		M 3	
28S/6470	2R 3/16"	Screw ... ..	4	—	C			
	553090	NUT (MOD. 4AC) ... ..	2	S.94			M 3	
282	501668	PIN, hinge ... ..	2	S.1	C		M 3	
280	501673	PLATE, valve (PRE. MOD. 15AC) ... ..	1	L.35	C			
	560035	PLATE, valve, assembly (MOD. 15AC) ... ..	1				M 3	
		Spares for :—						
	560033	BUSH ... ..	2	DTD.900/4433			M 3	
	560034	PLATE, valve ... ..	1	L.35			M 3	
281	501152	STOP, valve, complete (PRE. MOD. 5AC) ... ..	1	—	C		M 3	
637	551058	STOP, valve, complete (MOD. 5AC) ..... ..	1	—	C		M 3	
28M/13326	A27/GT	Nut (PRE. MOD. 4AC) ... ..	2	—	C			
28S/2762	A31/A12	Screw ... ..	2	—	C			
28W/3096	AGS.162/A	Washer ... ..	2	—	C			
28W/12305	SP13/B	Washer ... ..	2	—	C			
28W/12332	SP13/A	Washer ... ..	2	—	C			
278	501679	WASHER, sealing ... ..	2	ASB.	C		M 3	

VALVES, NON RETURN

Ref. No.	Part No.	Description					No. Off	Matl. Spec.	CL. OF ST.		Plate No.
		1	2	3	4	5			M.R.	L.M.	
450	505350	<b>VALVE, NON RETURN 3.000"</b> ... ..					1	—	A		M 4
		Spares for :—									
	507149	<b>BODY, valve assembly</b> ... ..					1	—			M 4
		Spares for :—									
457	507580	<b>CAP, shaft complete</b> ... ..					1	—	C		M 5
28P/5322	SP29/E4	Pin, taper ... ..					1	—	C		
28W/14319	SP11/C	Washer ... ..					AR	—	C		
456	507579	<b>NUT, gland</b> ... ..					1	BS.249	C		M 5
454	507577	<b>PACKING, gland</b> ... ..					1	VEEMET	C		M 5
452	506184	<b>PAWL</b> ... ..					1	BS.250	C		M 5
453	507576	<b>SHAFT</b> ... ..					1	DTD.525	B		M 5
28M/10327	AGS.2002/B1	Nut ... ..					1	—	C		
451	507575	<b>SPINNING, valve body complete</b> ... ..					1	—	B		M 5
455	507578	<b>WASHER</b> ... ..					1	S.110	C		M 5
459	506144	<b>RING, sealing (PRE. AMDT. 3AP)</b> ... ..					1	DTD.416	C		M 4
515	550653	<b>RING, sealing (PRE. AMDT. 3AP)</b> ... ..					1	DTD.416	C		M 4
	555226	<b>RING, sealing (AMDT. 3AP)</b> ... ..					2	HALLITE			M 4
458	506141	<b>RING, stud complete</b> ... ..					1	—	C		M 4
465	507018	<b>TAB, locking</b> ... ..					1	DTD.171	C		M 4
	506135	<b>VALVE, assembly</b> ... ..					1	—			M 4
		Spares for :—									
460	506149	<b>FITTING, flange complete</b> ... ..					1	—	C		M 5
463	506677	<b>PIN</b> ... ..					1	S.80	C		M 5
28P/12262	SP9/E6	Pin, split ... ..					1	—	C		
461	506136	<b>PLATE, valve complete</b> ... ..					1	—	C		M 5
462	507147	<b>SPRING, torsion</b> ... ..					1	NIM-80	C		M 5
464	506138	<b>WASHER</b> ... ..					1	S.85	C		M 5
28M/12619	A24/BT	Nut ... ..					16	—	C		
28W/12664	SP14/B	Washer ... ..					16	—	C		

VALVES, NON RETURN

Ref. No.	Part No.	Description	No. Off	Matl. Spec.	CL. OF ST.			Plate No.
					1	2	3	
466	508190	VALVE, NON RETURN 4.100" ... ..	1	—			A	M 6
		Spares for :—						
436	504424	ARM, pivot ... ..	2	S.80			C	
28M/13375	A27/GP	Nut ... ..	2	—			C	
440	504423	BEARING, end cap (PRE. MOD. 6AS) ... ..	1	S.1			C	M 6
	555339	BEARING, end cap (MOD. 6AS) ... ..	1	S.1			C	M 6
441	504422	BEARING, shaft (PRE. MOD. 6AS) ... ..	1	S.1			C	M 6
	555338	BEARING, shaft (MOD. 6AS) ... ..	1	S.1			C	M 6
467	503174	BODY ... ..	1	L.35			B	M 6
28D/12512	A25/1C	Bolt ... ..	4	—			C	
28L/11069	AGS.2035/C	Washer ... ..	4	—			C	
438	504421	COLLAR, bearing ... ..	1	S.14			C	M 6
	504416	LEVER, internal, complete (PRE. MOD. 6AS) ... ..	1	—				M 6
	553939	LEVER, internal, complete (MOD. 6AS) ... ..	1	—				M 6
	506893	LEVER, operating (PRE. MOD. 4AS) ... ..	1	S.11				M 6
	553464	LEVER, operating (MOD. 4AS) ... ..	1	S.96				M 6
534	500500	NAMEPLATE (R.N.) ... ..	1	L.4			C	M 6
28S/6470	2R 3/16	Screw ... ..	4	—			C	
	508199/1	PIECE, packing ... ..	AR	DTD.124			LM	M 6
	508199/2	PIECE, packing ... ..	AR	DTD.124			LM	M 6
	508199/3	PIECE, packing ... ..	AR	DTD.124			LM	M 6
	508199/4	PIECE, packing ... ..	AR	DTD.124			LM	M 6
	508199/5	PIECE, packing ... ..	AR	DTD.124			LM	M 6
	508199/6	PIECE, packing ... ..	AR	DTD.124			LM	M 6
	508199/7	PIECE, packing ... ..	AR	DTD.124			LM	M 6
470	550146	PLATE, sole and spring, complete (PRE. MOD. 6AS) ... ..	1	—			C	M 6
	555342	PLATE, sole and spring, complete (MOD. 6AS) ... ..	1	—			C	M 6
435	504428	PLATE, valve ... ..	1	L.35			C	M 6
28S/2816	A33/A16	Screw ... ..	4	—			C	
439	501209	SEAL, bearing ... ..	2	ASB.			C	M 6
437	508195	SHAFT, complete ... ..	1	—			C	M 6
28M/10331	AGS.2002/G1	Nut ... ..	1	—			C	
	550793	SPRING ... ..	1	DTD.215				M 6
442	504431	WASHER ... ..	2	ALUM.			C	M 6
443	504412	WASHER ... ..	1	S.1			C	M 6

VALVES, NON RETURN

Ref. No.	Part No.	Description	No. Off	Matl. Spec.	CL. OF		Plate No.
					ST.	M.R.	
		1 2 3 4 5				L.M.	
483	509660	VALVE, NON RETURN 4.100" ... ..	1	—	A		M7
		Spares for:—					
739	504418	ARM, clamping ... ..	1	S.98	C		M7
436	504424	ARM, pivot ... ..	2	S.80	C		M7
600	551707	BEARING, end cap (PRE. MOD. 6AS) ... ..	1	S.1	C		M7
709	555341	BEARING, end cap (MOD. 6AS) ... ..	1	S.1	C		M7
599	551706	BEARING, shaft (PRE. MOD. 6AS) ... ..	1	S.1	C		M7
710	555340	BEARING, shaft (MOD. 6AS) ... ..	1	S.1	C		M7
434	550402	BODY ... ..	1	L.35	B		M7
602	DDS.1092Y/1C	BOLT ... ..	4	H.T.S.	C		M7
28L/11069	AGS.2035/C	Washer ... ..	4	—	C		
738	504415	BOLT ... ..	1	S.11	C		M7
438	504421	COLLAR ... ..	1	S.14	C		M7
	504419	LEVER, external, complete ... ..	1	—			M-7
	504416	LEVER, internal, complete (PRE. MOD. 6AS) ... ..	1	—			M-7
	553939	LEVER, internal, complete (MOD. 6AS) ... ..	1	—			M-7
534	500500	NAMEPLATE (R.N.) ... ..	1	L.4	C		M7
28S/6470	2R 3/16	Screw ... ..	4	—	C		
598	551704	NUT ... ..	2	S.112	C		M7
	508199/1	PIECE, packing ... ..	AR	DTD.124	LM		M7
	508199/2	PIECE, packing ... ..	AR	DTD.124	LM		M7
	508199/3	PIECE, packing ... ..	AR	DTD.124	LM		M7
	508199/4	PIECE, packing ... ..	AR	DTD.124	LM		M7
444	550148	PLATE, sole and spring, complete (PRE. MOD. 6AS). ... ..	1	—	C		M7
708	555346	PLATE, sole and spring, complete (MOD. 6AS) ... ..	1	—	C		M7
435	504428	PLATE, valve ... ..	1	L.35	C		M7
28S/2816	A33/A16	Screw ... ..	4	—	C		
601	551708	SEAL, bearing ... ..	2	HALLITE	C		M7
437	508195	SHAFT, complete ... ..	1	—	C		M7
28M/13122	A27/GS	Nut ... ..	1	—	C		
28P/12462	SP9/C8	Pin, split ... ..	1	—	C		
740	504417	SPIGOT, clamping arm (PRE. AMDT. 9AS) ... ..	1	S.96	C		M7
1362	506699	SPIGOT, clamping arm (AMDT. 9AS) ... ..	1	S.96	C		M7
28M/12930	A27/ES	Nut ... ..	1	—	C		
28P/12462	SP9/C8	Pin, split ... ..	1	—	C		
28S/3420	A33/B8	Screw ... ..	2	—	C		
28W/12496	SP15/E	Washer ... ..	1	—	C		
442	504431	WASHER ... ..	2	ALUM.	C		M7
443	504412	WASHER, retaining ... ..	1	S.1	C		M7

VALVES, NON RETURN

Ref. No.	Part No.	Description	No. Off	Matl. Spec.	CL. OF ST.			Plate No.
					1	2	3	
645	502830	VALVE, NON RETURN 15-LB. ... ..	1	—			A	M 8
		Spares for :—						
	500052/2	BODY, valve ... ..	1	DTD.281				M 8
	480609	COVER, end and spring attachment, complete ...	1	—				M 8
28S/12241	4C 1/4	Screw ... ..	6	—			C	M 8
	500050	FACE, valve and housing, spring assembly ...	1	—				M 8
		Spares for :—						
	ND/S139	FACE, valve, complete ... ..	1	—				M 8
	500060	GUIDE, spring ... ..	1	L.40				M 8
	480632	PIVOT, valve face ... ..	1	L.40				M 8
	480633	SPRING ... ..	1	INCONEL				M 8
586	494031	NAMEPLATE (R.N.) ... ..	1	L.4			C	M 8
28S/6634	2R 3/16	Screw ... ..	4	—			C	M 8
	481643	PLUG, screw ... ..	1	L.1				M 8
	500749	PLUG, end ... ..	2	L.40				M 8
	500189	RING, intake ... ..	1	DTD.133				M 8
28D/12512	A25/1C	Bolt ... ..	12	—			C	
28W/6307	AGS.586/C	Washer ... ..	12	—			C	
	500475	SCREW, grub ... ..	2	S.1				M 8
	481898	SPRING, valve head return ... ..	1	INCONEL				M 8
	480608	TUBE, centre, complete ... ..	1	—				M 8
28P/14543	SP31/HB	Pin, split, taper ... ..	1	—			C	
	480621	WASHER ... ..	2	ASB.				M-8

VALVES, NON RETURN

Ref. No.	Part No.	Description	No. Off	Matl. Spec.	CL. OF ST.			Plate No.
					1	2	3	
	503190	VALVE, NON RETURN 15-LB. ... ..	1	—			A	M 9
		Spares for :—						
	481899	BODY, valve ... ..	1	L.124				M-9
	503285	CAP, end ... ..	1	L.40				M-9
	480609	COVER, end and attachment spring, complete ... ..	1	—				M-9
28S/12241	4C 1/4	Screw ... ..	6	—			C	M 9
	480610	FACE, valve and housing, spring assembly ... ..	1	—				M 9
		Spares for :—						
	ND/S139	FACE, valve, complete ... ..	1	—				M 9
	480605	HOUSING, spring ... ..	1	L.40				M 9
	480632	PIVOT, valve face ... ..	1	L.40				M 9
	480633	SPRING ... ..	1	INCONEL				M 9
586	494031	NAMEPLATE (R.N.) ... ..	1	L.4			C	M 9
28S/6634	2R 3/16	Screw ... ..	4	—			C	M 9
	481643	PLUG, screw ... ..	1	L.1				M 9
	502867	PLUG, spigot ... ..	2	DTD.364				M 9
	500189	RING, intake ... ..	1	DTD.133				M 9
28D/12512	A25/1C	Bolt ... ..	12	—			C	
28W/6307	AGS.586/C	Washer, double spring ... ..	12	—			C	
	503286	SCREW, grub ... ..	1	S.1				M 9
	500475	SCREW, grub ... ..	2	S.1				M 9
	503287	SEAL ... ..	1	RUBBER				M 9
	481898	SPRING, valve head return ... ..	1	INCONEL				M 9
	480608	TUBE, centre, complete ... ..	1	—				M 9
28P/14543	SP31/H8	Pin, split, taper ... ..	1	—			C	
	480621	WASHER ... ..	2	ASBESTOS				M 9

VALVES, NON RETURN

Ref. No.	Part No.	Description	No. Off	Matl. Spec.	CL. OF ST.			Plate No.
					1	2	3	
615	509820	VALVE, NON RETURN 1.000" ... ..	1	—			A	M 10
		Spares for :—						
	558535/1	BOLT (AMDT. 5AZ) ... ..	10	S.80				
	507715	CASING, intake ... ..	1	DTD.525				M 10
	507716	CASING, outlet ... ..	1	DTD.525				M 10
1052	507717	GASKET ... ..	2	DTD.387A			C	M 10
1053	507719	NAMEPLATE, complete... ..	1	—			C	
	507707	VALVE, assembly (PRE. MOD. 2AZ) ... ..	1	—				M 10
		Spares for :—						
1047	507709	BOLT, pivot ... ..	2	DTD.525			C	M 10
1048	507711	FLAP ... ..	2	DTD.525			C	M 10
1046	552107	PIN, hinge ... ..	1	DTD.525			C	M 10
	507708	RING, intake ... ..	1	S.80				M 10
1049	507712	SPRING, torsion ... ..	1	NIM			C	M 10
1050	507713	WASHER ... ..	4	DTD.525			C	M 10
1051	507714	WASHER, adjusting ... ..	AR	BRASS			C	M 10
28M/13146	A24/AP	Nut ... ..	2	—			C	
28P/12337	SP9/A4	Pin, split ... ..	2	—			C	
	556263	VALVE, assembly (MOD. 2AZ) ... ..	1	—				M 10
		Spares for :—						
1047	507709	BOLT, pivot ... ..	2	DTD.525			C	
1415	554543	FLAP, valve, complete ... ..	2	—				M 10
1046	552107	PIN, hinge ... ..	1	DTD.525			C	M 10
	507708	RING, intake ... ..	1	S.80				M 10
1049	507712	SPRING, torsion (PRE. AMDT. 6AZ) ... ..	1	NIM			C	M 10
MOJ	559236	SPRING, torsion (AMDT. 6AZ) ... ..	1	DTD.747			C	M 10
1603	557066	WASHER, tab (AMDT. 6AZ) (PRE AMDT 4AZ) ... ..	2	S.521			C	M 10
1050	507713	WASHER ... ..	4	DTD.525			C	M 10
1051	507714	WASHER, adjusting ... ..	AR	BRASS				M 10
28M/13146	A24/AP	Nut ... ..	2	—			C	
28P/12337	SP9/A4	Pin, split ... ..	2	—			C	
28D/13038	A26/2B	Bolt (PRE. ADMT. 5AZ) ... ..	10	—			C	
28M/13450	A24/BP	Nut (PRE. AMDT. 5AZ) ... ..	10	—			C	
28L/12619	A24/BT	Nut (AMDT. 5AZ) ... ..	10	—			C	
	558049/3	WASHER, tab (AMDT. 5AZ) ... ..	5	S.521				M 10

VALVES, NON RETURN

Ref. No.	Part No.	Description	No. Off	Matl. Spec.	CL. OF ST.			Plate No.
					1	2	3	
627	511760	VALVE, NON RETURN 4.000" ... ..	1	—			A	M 11
		Spares for :—						
	552460	CASING, valve assembly ... ..	1	—				M 11
		Spares for :—						
	552318	SPRING, retaining ... ..	1	NIM				M 11
	AS.457//203	Rivet ... ..	2	—				
1107	507823	GASKET ... ..	1	DTD.378A			C	M 11
	552474	NAMEPLATE ... ..	1	DTD.171A				M 11
	AS.457/203	Rivet ... ..	4	—				
	552461	VALVE, assembly... ..	1	—				M 11
		Spares for :—						
	552468	BOLT, retaining (used with 55246 Sht. 2) ... ..	2	DTD.525				M 11
	552469	BOLT, retaining (used with 55246 Sht. 1) ... ..	2	DTD.525			C	M 11
28M/13450	A24/BP	Nut } Alternatives ... ..	2	—				
	A49/B	Nut } Alternatives ... ..	2	—				
	552470	BRACKET, pivot ... ..	2	S.62				M 11
	552463	FLAP, valve } Alternatives ... ..	2	BS.1630				M 11
	552462	FLAP, valve complete } Alternatives ... ..	2	—				M 11
	552473	PIN, hinge ... ..	1	DTD.326A				M 11
	552462 Sht. 1	RING, intake (used with 552469) } Alternatives ... ..	1	S.80				M 11
	552462 Sht. 2	RING, intake (used with 552468) } Alternatives ... ..	1	BS.1630				M 11
	552471	SPRING, torsion ... ..	1	DTD.326A				M 11
	557140	SLEEVE ... ..	2	S.80				M 11
1470	556966	WASHER, tab (PRE AMI DT 5 BX) ... ..	2	S.520			C	M 11
1469	660094	WASHER-TAB (AMI DT 5 BX) ... ..	2	S.520			C	M 11

VALVES, NON RETURN

Ref. No.	Part No.	Description	No. Off	Matl. Spec.	CL. OF ST.		Plate No.
					M.R.	L.M.	
638	512130	VALVE, NON RETURN 3.000" ... ..	1	—	A		M 12
		Spares for:—					
	552510	BOLT, retaining ... ..	2	S.80			M 12
28M/13450	A24/BP	Nut ... ..	2	—	C		M 12
28W/14456	SP11/B	Washer (PRE. AMDT. 17AP) ... ..	2	—	C		M 12
	552512	BRACKET (PRE. AMDT. 17AP) ... ..	2	DTD.525			M 12
	554469	BRACKET (AMDT. 17AP) ... ..	2	S.80			M 12
	557433	FERRULE (AMDT. 17AP) ... ..	2	S.80			M 12
	552508 Sht. 2	FLAP, valve (PRE. AMDT. 13AP) ... ..	2	S.80			M 12
	552507	FLAP, valve complete (PRE. AMDT. 13AP.) } Alternatives	2	—			M 12
	552508 Sht. 1	FLAP, valve (AMDT. 13AP) (PRE. AMDT. 17AP)...	1	S.80			M 12
	554471	FLAP, valve (AMDT. 17AP) ... ..	2	S.80			M 12
	554472	FLAP, valve complete PRE. AMDT. } Alternatives	2	—			M 12
719	507493	GASKET ... ..	1	DTD.378A	C		M 12
	552474	NAMEPLATE (PRE. AMDT. 17AP) ... ..	1	DTD.17A			M 12
	AS.457/202	Rivet (PRE. AMDT. 17AP) ... ..	4	—	C		
	552506	RING, intake (PRE. AMDT. 17AP) ... ..	1	S.80			M 12
	558382-A	RING, intake (AMDT. 17AP) ... ..	1	S.80			M 12
	558381-A	RING, intake (AMDT. 17AP) } Alternatives	1	S.80			M 12
	552511	SPINDLE (PRE. AMDT. 17AP) ... ..	1	DTD.525			M 12
1488	552941	SPINDLE (AMDT. 17AP) ... ..	1	S.80			M 12
	552514	SPRING ... ..	1	DTD.326A			M 12
	552513	WASHER (PRE. AMDT. 17AP) ... ..	2	S.520			M 12
720	552472	WASHER, adjusting (PRE. AMDT. 17AP) ...	2	LAMINIUM	C		M 12
1547	557109	WASHER, tab (AMDT. 17AP) (PRE MOD 20AP)	2	S.520	C		M 12
	560238/3	WASHER TAB (MOD 20 AP)	2	S.520			

VALVES, NON RETURN

Ref. No.	Part No.	Description	No. Off	Matl. Spec.	CL. OF ST.			Plate No.
					1	2	3	
705	512330	VALVE, NON RETURN 3.000" ... ..	1	—			A	M 13
		Spares for:—						
	552510	BOLT, retaining ... ..	2	S.80				M 13
28M/13450	A24/BP	Nut ... ..	2	—			C	
28W/14456	SP11/B	Washer (PRE. AMDT. 17AP) ... ..	2	—			C	
	552696	BRACKET (PRE. AMDT. 17AP) ... ..	2	L.42				M 13
1584	557206	BRACKET (AMDT. 17AP) ... ..	2	DTD.130A				M 13
	557207	FERRULE (AMDT. 17AP) ... ..	2	S.80				M 13
	552694 Sht. 2	FLAP, valve (PRE. AMDT. 17AP) ... ..	2	DTD.424A				M 13
	552693	FLAP, valve complete (PRE. AMDT. 17AP) ... ..	2	—				M 13
	558376-C	FLAP, valve (AMDT. 17AP) ... ..	2	L.52				M 13
	558378-C	FLAP, valve complete (AMDT. 17AP) ... ..	2	—				M 13
	504124	NAMEPLATE ... ..	1	L.4				M 13
	552732	RING, intake ... ..	1	L.42				M 13
	552511	SPINDLE (PRE. AMDT. 17AP) ... ..	1	DTD.525				M 13
1488	552941	SPINDLE (AMDT. 17AP) ... ..	1	S.80				M 13
	554570	SPRING, torsion (PRE. AMDT. 17AP) ... ..	1	DTD.189				M 13
1586	554557	SPRING, torsion (AMDT. 17AP) ... ..	1	DTD.189				M 13
	552513	WASHER (PRE. AMDT. 17AP) ... ..	2	S.520				M 13
720	552472	WASHER, adjusting (PRE. AMDT. 17AP) ... ..	2	LAMINIUM			C	M 13
1547	557109	WASHER, tab (AMDT. 17AP) (PRE MOD 21 APR)	2	S.520			C	M 13
	560288/5	WASHER TAB (M 90 21 APR)	2	5520			C	

VALVES, NON RETURN

Ref. No.	Part No.	Description	No. Off	Matl. Spec.	CL. OF			Plate No.
					ST.	M.R.	L.M.	
707	513600	VALVE, NON RETURN 4.250" ... ..	1	—	A			M 14
		Spares for :—						
	552530	ADAPTOR ... ..	1	L.35				M 14
	554236	ARM, operating assembly ... ..	1	—				M 14
		Spares for :—						
	552535	PLATE, indicator ... ..	1	DTD.610				M 14
28Q/	AS.163/205	Rivet ... ..	1	—	C			
28D/13914	A26/3A	Bolt (AMDT. 5BT) ... ..	1	—	C			
28M/13775	A24/AT	Nut (AMDT. 5BT) ... ..	1	—	C			
28M/13146	A24/AP	Nut (PRE. AMDT. 5BT) ... ..	1	—	C			
28S/	A35/A20	Screw (PRE. AMDT. 5BT) ... ..	1	—	C			
28W/12665	SP14/C	Washer ... ..	1	—	C			
	552528	BODY, seating ... ..	1	L.65				M 14
	559644	BOLT (AMDT. 5BT) ... ..	24	—				M 14
711	552546	BOLT (PRE. AMDT. 5BT) ... ..	20	S.80	C			
28M/13411	A24/CS	Nut (PRE. AMDT. 5BT) ... ..	20	—	C			
28M/12983	A24/CT	Nut (AMDT. 5BT) ... ..	20	—	C			
28P/9429619	SP9/CS	Pin, split (PRE. AMDT. 5BT) ... ..	20	1	C			
	554235	BRACKET, complete ... ..	1	—				M 14
	552542	BUSH, shaft ... ..	1	S.80				M 14
	552531	FLANGE, end ... ..	1	L.65				M 14
714	552526	FLAP, valve assembly ... ..	4	—	C			M 14
		Spares for :—						
	552541	PAD, spring ... ..	4	S.520				M 14
28Q/6422	AS.161/204	Rivet ... ..	8	—	C			
	552538	LEVER, flap ... ..	2	DTD.525				M 14
28D/13148	A26/2A	Bolt (AMDT. 5BT) ... ..	2	—	C			
28M/13775	A24/AT	Nut (AMDT. 5BT) ... ..	2	—	C			
	552536	LEG, pivot ... ..	4	L.65				M 14
28D/13523	A26/9B	Bolt ... ..	2	—	C			
28M/13450	A24/BP	Nut ... ..	2	—	C			
716	552211	PACKING ... ..	1	VEEMET	C			M 14
	552545	RING, gland ... ..	2	S.80				M 14
717	552537	RING, joint ... ..	2	DTD.378A	C			M 14
	552547	SCREW (PRE. ADMT. 5BT) ... ..	4	S.80				
	552889	SCREW (PRE. ADMT. 5BT) ... ..	2	BS.970				
28M/13146	A24/AP	Nut (PRE. AMDT. 5BT) ... ..	2	—	C			
28W/15318	SP11/A	Washer (PRE. AMDT. 5BT) ... ..	2	—	C			
	552534	SHAFT, lever ... ..	1	S.80				M 14
718	552544	SHIM ... ..	4	STEEL	C			M 14
	552539	SLEEVE, gland ... ..	1	L.65				M 14
	552540	SPINDLE, flap ... ..	2	DTD.525				M 14
713	552543	SPRING ... ..	2	DTD.326	C			M 14
715	552218	WASHER, sealing (PRE. AMDT. 1BT) ... ..	2	BSS.899	C			M 14
1470	556966	WASHER, tab PRE AMDT... 6BT. ... ..	4	S.520	C			M 14
1603	557066	WASHER, tab (AMDT. 5BT) ... ..	4	S.521	C			M 14
	559284/1	WASHER, tab, 'TYPE X' (AMDT. 5BT) ... ..	22	S.521				M 14

VALVES, NON RETURN

Ref. No.	Part No.	Description	No. Off	Matl. Spec.	CL. OF			Plate No.	
					1	2	3		4
1094	512730	VALVE, NON RETURN 3.000" D.F.T. (R.N.) ... Spares for :—	1	—				P	M 15
1489	552940	BOLT, spindle bracket attachment to intake ring ...	2	S.80				C	M 15
28M/13450	A24/BP	Nut (PRE. AMDT. 17AP) ...	2	—				C	
28W/14456	SP/11B	Washer (PRE. AMDT. 17AP) ...	2	—				C	
28M/12619	A24/BT	Nut (AMDT. 17AP) ...	2	—				C	
1487	552937	BRACKET, valve flap spindle support (PRE. AMDT. 17AP).	2	L.64				C	
1584	557206	BRACKET, valve flap spindle support (AMDT. 17AP).	2	DTD.130A				C	M 15
1585	557207	FERRULE (AMDT. 17AP) ...	2	S.80				C	
1491	552944	FLAP, valve (PRE. AMDT. 17AP) ...	2	L.65				C	
	552943	FLAP, valve complete (PRE. AMDT. 17AP) ...	2	L.64				C	
1983	558376-A	FLAP, valve (AMDT. 17AP) ...	1	L.52				C	M 15
	558378-A	FLAP, valve complete (AMDT. 17AP) } Alternatives	1					C	M 15
719	507493	GASKET, intake ring seating ...	1	DTD.378A				C	M 15
1222	507499	NAMEPLATE (PRE. AMDT. 17AP) ...	1	L.4				C	
28Q/7244	AS.159/303	Rivet ...	2	—				C	
	552939	RING, intake (PRE. AMDT. 17AP) ...	1	L.65				C	
	558379-A	RING, intake (AMDT. 17AP) } Alternatives	2	L.92				C	M 15
	558380-A	RING, intake (AMDT. 17AP) ...	2	L.65				C	M 15
1488	552941	SPINDLE, valve flap ...	1	S.80				C	M 15
28W/14319	SP/11C	Washer (PRE. AMDT. 17AP) ...	2	—				C	
1490	552938	SPRING, valve flap (PRE. AMDT. 17AP) ...	1	SPR. ST.				C	
1586	554557	SPRING, valve flap (AMDT. 17AP)	1	DTD.189				G	M 15
1470	556966	WASHER, tab (AMDT. 17AP) (PRE. AMDT. 17AP)	2	S.520				C	M 15
1969	560094	WASHER TAB (AMDT 22AP) (22AP)	2	5521				G	

VALVES, NON RETURN

Ref. No.	Part No.	Description					No. Off	Matl. Spec.	CL. OF ST.			Plate No.
		1	2	3	4	5			M.R.	L.M.		
1366	513930	VALVE, NON RETURN 2.000" (R.N.) ... ..					1	—		P		M 16
		Spares for:—										
1551	554127	BOLT, attachment bracket ... ..					2	S.80				M 16
28M/13450	A24/BP	Nut ... ..					2	—		C		M 16
1548	554126	BRACKET, spindle retaining ... ..					2	DTD.422B				M 16
1549	556917	FERRULE, flap spindle ... ..					2	L.65				M 16
	554121	FLAP, valve, complete ... ..					2	—				M 16
1554	544122 Sht. 2	FLAP, valve (Alternative to 554121) (PRE. AMDT. 13AC).					2	L.52				M 16
	558397	FLAP, valve (Alternative to 554121 (AMDT. 13AC)					2	—				M 16
1552	554128	GASKET, valve sealing ... ..					1	DTD.378A				M 16
1222	507499	NAMEPLATE (PRE. AMDT. 13AC) ... ..					1	L.4		C		M 16
28Q/7244	AS.159/303	Rivet, 3/32" dia. (PRE. AMDT. 13AC) ... ..					2	—		C		M 16
	554274	RING, intake (PRE. AMDT. 13AC) ... ..					1	L.65				M 16
	558398/C	RING, intake (AMDT. 13AC) } Alternatives ... ..					1	L.52				M 16
	558399/C	RING, intake (AMDT. 13AC) } Alternatives ... ..					1	L.65				M 16
1550	554125	SPINDLE, flap ... ..					1	S.110				M 16
1553	557312	SPRING, torsion flap ... ..					1	NIM.90				M 16
	556916	SPRING, torsion flap (AMDT. 13AC) } Alternatives ... ..					1	DTD.189				M 16
1547	557109	WASHER, tab (PRE. AMDT. 13AC) ... ..					2	S.520		C		M 16
2286	560239/4	WASHER THB (MODHAC)					i	5520		C		M 16

VALVES, NON RETURN

Ref. No.	Part No.	Description	No. Off	Matl. Spec.	CL. OF ST.			Plate No.
					1	2	3	
1368	515230	VALVE, NON RETURN 1.500" (R.N.) ... ..	1	—			P	M 17
	554607	BRACKET, intake ring and lever bracket attachment and flap spindle retaining.	2	—				M 17
	554610	BRACKET, lever attachment ... ..	1	S.80				M 17
	557114	FERRULE, flap spindle ... ..	2	S.80				M 17
	554603	FLAP, valve ... ..	2	S.80				M 17
	554613	LEVER, complete... ..	2	—				M 17
	554612	RING, intake ... ..	1	S.80				M 17
	554609	SPINDLE, lever ... ..	1	S.80				M 17
1359	552858	SPINDLE, flap ... ..	1	S.110			C	M 17
	557113	SPRING, flap ... ..	1	DTD.189				M 17
	554611	SPRING, valve ... ..	1	DTD.189				M 17
	554604	TAB, lever spindle retaining ... ..	2	DTD.166B				M 17
1050	507713	WASHER, seating of flap spring ferrules ... ..	2	S.80			C	M 17
	557115	WASHER, tab attachment of lever bracket and tabs to intake ring.	2	DTD.166				M 17
28M/15503	A49/Z	Nut, 8 B.A. ... ..	2	—			C	

VALVES, NON RETURN

Ref. No.	Part No.	Description	No. Off	Matl. Spec.	CL. OF	Plate No.
					ST. M.R. L.M.	
1367	515240	VALVE, NON RETURN 2.000" (R.N.) ... ..	1	—	P	M 17
		Spares for :—				
1449	554610	BRACKET, lever attachment ... ..	1	DTD.166B		M 17
	554574	BRACKET, intake ring and lever bracket attachment and flap spindle retaining.	2	—		M 17
	554572	FLAP, valve ... ..	2	—		M 17
	554613	LEVER, complete ... ..	2	—		M 17
	554571	RING, intake ... ..	1	S.80		M 17
	556917	SLEEVE, flap ... ..	2	L.65		M 17
	554609	SPINDLE, lever ... ..	1	S.80		M 17
1550	554125	SPINDLE, flap ... ..	1	S.110	C	M 17
	554124	SPRING, flap ... ..	1	DTD.189		M 17
	554611	SPRING, lever ... ..	1	DTD.189		M 17
	554604	TAB, lever spindle retaining ... ..	2	DTD.166B		M 17
	557115	WASHER, tab, attachment of lever bracket and tabs to intake ring.	2	DTD.166B		M 17
28M/15503	A49/Z	Nut, 8 B.A. ... ..	2	—	C	

VALVES, NON RETURN

Ref. No.	Part No.	Description	No. Off	Matl. Spec.	CL. OF	Plate No.
					ST.	
					M.R.	
					L.M.	
980	512990	VALVE, REVERSIBLE, NON RETURN ... ..	1	—	A	M 18
		Spares for :—				
	552877	ARM, operating valve flap levers, complete ... ..	1	—		M 18
28M/13146	A24/AP	Nut, 6 B.A. (PRE. AMDT. 16AC) ... ..	1	—	C	
28S/6347	A35/A20	Screw, 6 B.A. (PRE. AMDT. 16AC) ... ..	1	—	C	
28D/13914	A26/3A	Bolt (AMDT. 16AC) ... ..	1	—	C	
28M/13375	A24/AT	Nut (AMDT. 16AC) ... ..	1	—	C	
	554011	BODY, seating ... ..	1	L.52		M 18
	552910	BOLT, operating lever locking bracket attachment (PRE. AMDT. 16AC).	4	S.80		
	554024	BOLT, attachment of end flanges to body seating (PRE. AMDT. 16AC).	16	S.80		
28M/13450	A24/BP	Nut, 4 B.A. ... ..	16	—	C	
	558535	BOLT, flanges and bracket attachment (AMDT. 16AC).	20	S.80		M 18
	554021	BRACKET, flap spindle retaining ... ..	4	L.65		M 18
28D/16929	A26/7A	Bolt, 6 B.A. ... ..	2	—	C	
28M/13146	A24/AP	Nut, 6 B.A. ... ..	2	—	C	
	554025	BRACKET, operating lever locking ... ..	1	—		M 18
	554023	BUSH, locating flap operating levers ... ..	1	S.80		M 18
	557202	FERRULE, flap spindle ... ..	4	—		M 18
	554012	FLANGE, end ... ..	2	L.65		M 18
	554014	FLAP, complete ... ..	4	—		M 18
	554013	GASKET, sealing end flange to body ... ..	2	DTD.378A		M 18
	554020	LEVER, flap operating ... ..	1	BS.1630		M 18
716	552211	PACKING, operating shaft ... ..	1	VEEMET	C	M 18
	552851	PIN, operating arm ... ..	1	S.80		M 18
	554027	PLUG, sealing, at entry of operating shaft into body.	1	L.65		M 18
	552545	RING, gland, operating shaft ... ..	2	S.80		M 18
	554019	SHAFT, flap lever operating ... ..	1	S.80		M 18
28M/13450	A24/BP	Nut, 4 B.A. ... ..	1	—	C	
28W/14319	SP11/C	Washer, 2 B.A. ... ..	1	—	C	
	554018	SPINDLE, flap ... ..	2	S.80		M 18
	552852	SPRING, compression, operating arm pin ... ..	1	NIM. 90		M 18
28P/12645	SP9/B4	Pin, cotter, split, 3/16" dia. ... ..	1	—	C	
28W/14456	SP11/B	Washer, 4 B.A. ... ..	1	—	C	
981	554017	SPRING, flap ... ..	2	DTD.189	C	M 18
	554022	WASHER, locating flap operating levers ... ..	2	DTD.546B		M 18
	557024	WASHER, tab. operating shaft attachment ... ..	1	—		M 18
1603	557066	WASHER, tab. operating arm securing (AMDT. 16AC).	4	S.521	C	M 18
	558536	WASHER, tab. spindle bracket securing (AMDT. 10AC).	4	S.521		M 18
	558049/2	WASHER, tab. type 'Y' (AMDT. 10AC) ... ..	10	S.521		M 18
	558049/5	WASHER, tab. type 'Y' (AMDT. 12AC) ... ..	8	S.521		M 18

VALVES, NON RETURN

Ref. No.	Part No.	Description	No. Off	Matl. Spec.	CL. OF ST.			Plate No.
					1	2	3	
1372	516570	VALVE, NON RETURN (R.N.) ... ..	1	—			P	M 19
		Spares for:—						
	557048	FLANGE ... ..	1	S.80				M 19
1262	507762	GASKET, sealing valve to flange ... ..	1	DTD.378			C	M 19
	557112	VALVE, assembly... ..	1	—				M 19
		Spares for:—						
1360	552761	BOLT, special attachment of spindle retaining brackets to intake ring.	2	S.80			C	M 19
28M/13775	A24/AT	Nut ... ..	2	—			C	
1600	554528	BRACKET, spindle retaining ... ..	2	S.80				M 19
1601	557110	FERRULE, flap spindle (Use with spring 557067)...	2	S.110				M 19
	557601	FERRULE, flap spindle (Use with spring 557602)...	2	S.80				M 19
1605	557116	FLAP ... ..	2	S.80				M 19
	557123	RING, intake ... ..	1	S.80				M 19
1602	557200	SPINDLE, flap ... ..	1	S.110				M 19
	557067	SPRING, flap (Use with ferrule 557110) ... ..	1	NIM.90				M 19
1604	557602	SPRING, flap (Use with ferrule 557601) ... ..	1	DTD.747				M 19
1603	557066	WASHER, tab (PAE MOD 18 AV) ... ..	2	S.521			C	M 19
		WASHER TAB MOD 19 AV	1	S.521			C	
28S/9786	A37/A8	Screw ... ..	2	—			C	

VALVES, NON RETURN

Ref. No.	Part No.	Description	No. Off	Matl. Spec.	CL. OF ST.			Plate No.
					1	2	3	
982	512510	VALVE, NON RETURN 2.500" DFT. (R.N.)	1	—			P	M 20
		Spares for: —						
1218	552866	BOLT (PRE. AMDT 4BJ)	2	S.80			C	M 20
1216	552863	BRACKET	2	DTD.423B			C	M 20
28M/13450	A24/BP	Nut	2	—			C	
28W/14456	SP/11B	Washer (PRE. AMDT. 3BJ)	2	—			C	
2102	560329	BOLT AMIDT 4BJ	2	S.80			C	
	557108	FERRULE (AMDT. 3BJ)	2	—				M 20
	558216	FLAP, valve (AMDT. 3BJ)	2	DTD.304				M 20
1221	552868	FLAP, valve (PRE. AMDT. 3BJ)	2	L.53			C	M 20
	552869	FLAP, valve complete	2	—				M 20
983	552870	GASKET	1	DTD.378A				M 20
1222	507499	NAMEPLATE (PRE. AMDT. 3BJ)	1	L.4				M 20
28Q/7942	AS.158/305	Rivet	2	—				
1217	552865	RING, intake	1	L.65				M 20
1102	557106	SPINDLE (AMDT. 3BJ)	1	—			C	M 20
1219	552867	SPINDLE (PRE. AMDT. 3BJ)	1	DTD.189				M 20
1995	558219	SPRING (AMDT. 3BJ)	1	—			C	M 20
1984	554640	SPRING (PRE. AMDT. 3BJ)	1	—			C	M 20
28W/14456	SP11/B	Washer (PRE. AMDT. 3BJ)	2	—				
1547	557109	WASHER, tab (AMDT. 3BJ) (PRE. AMDT. 3BJ)	2	S.520			C	M 20
1996	560238/2	WASHER TAB (AMDT. 3BJ)	1	S.520			C	

VALVES, NON RETURN

Ref. No.	Part No.	Description	No. Off	Matl. Spec.	CL. OF ST.			Plate No.
					1	2	3	
1378	516140	VALVE, NON RETURN 3.000" (R.N.) ... ..	1	—			P	M 21
		Spares for :—						
1489	552940	BOLT, spindle retaining bracket attachment to intake ring.	2	S.80				M 21
28M/13450	A24/BP	Nut (PRE. AMDT. 17AP) ... ..	2	—			C	
28L/12619	A24/BT	Nut (AMDT. 17AP) ... ..	2	—			C	
1584	557206	BRACKET, flap spindle retaining attachment to retaining ring.	2	—				M 21
1588	556893	BUSH, distance flap spindle ... ..	2	—				M 21
	558376-A	FLAP, valve (AMDT. 17AP) ... ..	2	L.52				M 21
	558378-A	FLAP, valve complete (AMDT. 17AP) } Alternatives	2	—				M 21
1590	557205	FLAP, valve (PRE. AMDT. 17AP) ... ..	2	—				M 21
	557208	FLAP, valve (Alternative to 557205) (PRE. AMDT. 17AP).	2	—				M 21
719	507493	GASKET, valve sealing ... ..	1	DTD.373A			C	M 21
1222	507499	NAMEPLATE (PRE. AMDT. 17AP) ... ..	1	L.4			C	M 21
28Q/7244	AS.159/303	Rivet ... ..	2	—			C	
	558380-A	RING, intake (AMDT. 17AP) ... ..	1	L.65				M 21
	558379-A	RING, intake (AMDT. 17AP) } Alternatives	1	L.52				M 21
	557212	RING, intake (PRE. AMDT. 17AP) ... ..	1	L.65				M 21
1488	552941	SPINDLE, flap ... ..	1	S.80				M 21
1589	557086	SPRING, flap ... ..	1	—				M 21
1470	556966	WASHER, tab PRE (AMDT 22 AP)	2	—			C	M 21
1769	660094	WASHER TAB (AMDT 22 AP)	2	5520			C	

VALVES, NON RETURN

Ref. No.	Part No.	Description	No. Off	Matl. Spec.	CL. OF	Plate No.
					ST.	
					M.R.	
					L.M.	
1375	515190	VALVE, NON RETURN 3.000" (R.N.) ... ..	1	—	P	M 22
		Spares for :—				
	552940	BOLT, spindle retaining bracket attachment to retaining ring.	2	S.80		M 22
28M/13450	A24/BP	Nut (PRE. AMDT. 17AP) ... ..	2	—	C	
28L/12619	A24/BT	Nut (AMDT. 17AP) ... ..	2	—	C	
1584	557206	BRACKET, flap spindle retaining and attachment to intake ring.	2	—		M 22
1585	557207	FERRULE, flap spindle ... ..	2	—		M 22
	558378-B	FLAP, valve complete (AMDT. 17AP) } Alternatives	2	—		M 22
	558376-B	FLAP, valve (AMDT. 17AP) }	2	L.52		M 22
1587	554539	FLAP, valve (PRE. AMDT. 17AP) } Alternatives	2	—		M 22
1489	554540	FLAP, valve (PRE. AMDT. 17AP) }	2	—		M 22
719	507493	GASKET, valve sealing ... ..	1	DTD.373A	C	M 22
1222	507499	NAMEPLATE (PRE. AMDT. 17AP) ... ..	1	L.4	C	M 22
28Q/7244	A159/303	Rivet ... ..	2	—		
	558380-A	RING, intake (AMDT. 17AP) } Alternatives	1	L.65		M 22
	558379-A	RING, intake (AMDT. 17AP) }	1	L.52		M 22
	557212	RING, intake (PRE. AMDT. 17AP) ... ..	1	L.65		M 22
1488	552941	SPINDLE, flap ... ..	1	S.80		M 22
1586	554557	SPRING ... ..	1	DTD.189		M 22
1470	556966	WASHER, tab (PRE. AMDT. 22AP)	2	S.520		M 22
1169	560094	WASHER TAB (PRE. AMDT. 22AP)	2	S.520	C	

VALVES, NON RETURN

Ref. No.	Part No.	Description	No. Off	Matl. Spec.	CL. OF ST.			Plate No.
					M.R.	L.M.		
1404	515690	VALVE, NON RETURN ... ..	1	—				M 23
		Spares for:—						
28M/13450	554486	BOLT, pivot flap hinge pin ... ..	2	S.80				M 23
	A24/BP	Nut, 4 B.A. ... ..	2	—			C	
	557253	FERRULE, flap hinge pin ... ..	2	S.80				M 23
872	554480	FLAP, VALVE ASSEMBLY ... ..	2	—				M 23
	560448	FLAP, Spares for valve Assy alternative to 554480	2	—				
	553486	FLAP	2	DTD.410				M 23
	560446	FLAP (560448)	2	—				
	554478	HINGE, flap } Alternatives	2	DTD.171A				M 23
28L/12619	A24/BT	HINGE, flap }	2	S.80				M 23
28S/16494	A37/B10	Nut, 4 B.A. ... ..	6	—			C	
28S/6617	A37/B8	Screw, 4 B.A. ... ..	4	—			C	
		Screw, 4 B.A. ... ..	2	—			C	
	556915	SCREW, stop attachment to flap ... ..	2	S.1				M 23
	554479	STOP, flap ... ..	2	S.80				M 23
719	507493	GASKET, intake ring ... ..	1	DTD.304A				M 23
876	507495	PIN, hinge flap ... ..	1	S.61				M 23
28P/12587	SP9/C4	Pin, split ... ..	2	—			C	
	507482	RING, intake ... ..	1	DTD.304A				M 23
1471	557235	SPRING, torsion, flap ... ..	1	NIM. 90				M 23
	507491	WASHER, facing hinge pin ... ..	AR	DTD.610				M 23
1547	557109	WASHER, tab, pivot bolts ... ..	2	S.520				M 23

VALVES, NON RETURN

Ref. No.	Part No.	Description	No. Off	Matl. Spec.	CL. OF ST.			Plate No.
					1	2	3	
865	503330	VALVE, NON RETURN 2.400" ... .. Spares for :—	1	—	A			M 24
836	503667	BEARING, operating shaft ... ..	2	B.8	C			M 24
28S/2814	AGS.249/13	Screw ... ..	4	—	C			
	ND/S308	BODY, valve, complete with studs, assembly ... Spares for :—	1	—				M 24
859	503781	STUD ... ..	8	S.11	C			M 24
839	503779	BOLT, special valve plate attachment to valve body	2	DTD.126	C			M 24
28W/9418921	SP13/E	Washer ... ..	4	—	C			
844	503789	COLLAR, operating shaft ... ..	1	L.40	C			M 24
28P/1279	AGS.167/11	Pin, taper ... ..	1	—	C			
845	503077	LEVER, clamping operating shaft ... ..	1	L.40	C			M 24
534	500500	NAMEPLATE (R.N.) ... ..	1	L.4	C			M 24
28S/6470	2R 3/16	Screw, Pk. ... ..	4	—	C			
850	503780	PAD, valve plate ... ..	1	DTD.171	C			M 24
866	503076	PLATE, valve ... ..	1	DTD.304	C			M 24
	556980	SCREW, attaching pad to valve plate ... ..	2	M.S.				M 24
867	503337	SEAT, VALVE ... ..	1	L.45	C			M 24
28M/10328	AGS.2002/C1	Nut, 2 B.A. ... ..	8	—	C			
28W/9419402	SP13/C	Washer, 2 B.A. ... ..	8	—	C			
868	503338	SHAFT, operating ... ..	1	S.80	C			M 24
856	551867	SHIM, at attachment of valve seat to body ... ..	AR	KLINGERIT	C			M 24
869	506899	SHIM, valve plate locating ... ..	AR	M.S.	C			M 24
860	503284	WASHER, seating of valve plate attachment bolts ...	2	KLINGERIT	C			M 24
861	503669	WASHER, sealing operating shaft bearing to body...	2	KLINGERIT	C			M 24
	503008	WASHER at attachment of valve seat to body ...	1	KLINGERIT				M 24

VALVES, NON RETURN

Ref. No.	Part No.	Description					No. Off	Matl. Spec.	CL. OF ST.			Plate No.
		1	2	3	4	5			M.R	L.M.		
871	514550	VALVE, NON RETURN ... ..					1	—				M 25
		Spares for:—										
875	507486	CASING, valve complete ... ..					1	—				M 25
719	507493	GASKET, valve sealing to casing ... ..					1	DTD.378A	C			M 25
	504124	NAMEPLATE ... ..					1	L.4				M 25
28Q/5680	AS.155/203	Rivet ... ..					4	—	C			
	554482	VALVE, assembly ... ..					1	—				M 25
		Spares for:—										
	554486	BOLT, pivot flap hinge pin ... ..					2	S.80				M 25
28M/13450	A24/BP	Nut, 4 B.A. ... ..					2	—	C			
	557253	FERRULE, flap, hinge pin (ALT.D40) ... ..					2	S.80				M 25
872	554480	FLAP, valve assembly ... ..					2	—	C			M 25
	560448	FLAP valve assembly alternative to 5604480.					2					
	553486	FLAP ... ..					2	DTD.410				M 25
	560446	FLAP (560448)					2					
	560447	HINGE flap (560448)					2					
	554478	HINGE, flap } Alternatives					2	DTD.171A				M 25
	554481	HINGE, flap					2	S.80				
	A24/BT	Nut, 4 B.A. ... ..					3	—	C			
28S/6617	A37/B8	Screw, 4 B.A. ... ..					2	—	C			
28S/16494	A37/B10	Screw, 4 B.A. ... ..					4	—	C			
	556915	SCREW, stop attachment ... ..					2	S.1				M 25
	554479	STOP ... ..					2	S.80				M 25
876	507495	PIN, hinge flap... ..					1	S.80	C			M 25
28P/12587	SP9/C4	Pin, split ... ..					2	—	C			
	507482	RING, intake ... ..					1	DTD.304A				M 25
1471	557235	SPRING, torsion (ALT.D40)... ..					1	NIM. 90	C			M 25
1470	556966	WASHER, tab, at attachment of pivot bolts (ALT.D40).					2	DTD.166	C			M 25
	507491	WASHER, at hinge pin ... ..					AR	DTD.610				M 25

VALVES, NON RETURN

Ref. No.	Part No.	Description	No. Off	Matl. Spec.	CL. OF ST.			Plate No.
					1	2	3	
1651	512120	VALVE, NON RETURN 1.500" R. IN ... ..	1	—			A	M 29
		Spares for :—						
	552755	CASING, assembly ... ..	1	—				M 29
		Spares for :—						
	507527	SPRING, retaining ... ..	1	DTD.138				M 29
28Q/6506	AS.156/203	Rivet ... ..	2	—			C	
							G	
1618	507843	GASKET ... ..	1	DTD.378A				M 29
	507408	NAMEPLATE, complete ... ..	1	—				M 29
	552754	VALVE, assembly... ..	1	—				M 29
		Spares for :—						
	552763	BRACKET (PRE. AMDT. 15AV) ... ..	2	L.65				
	557255	BRACKET (AMDT. 15AV) ... ..	2	—				
	A49/A	Nut ... ..	2	—				
	557074	FERRULE (AMDT. 15AV) ... ..	2	S.110				
1406	558417	FLAP, valve (AMDT. 15AV) ... ..	2	L.52				
	557257	FLAP, valve complete (AMDT. 15AV) ... ..	2	L.52				
	1264	FLAP, valve (PRE. AMDT. 15AV) ... ..	2	L.52				
	552759	FLAP, valve complete (PRE. AMDT. 15AV) ... ..	2	—				M 29
	552756	FLAP, valve complete (PRE. AMDT. 15AV) ... ..	2	—				M 29
	552936	RING, intake (PRE. AMDT. 15AV) ... ..	1	L.52				M 29
	558415-B	RING, intake (AMDT. 15AV) ... ..	1	L.52				
	558416-B	RING, intake (AMDT. 15AV) ... ..	1	L.65				
1360	552761	SCREW, special ... ..	2	S.80				M 29
1263	552760	SPINDLE (PRE. AMDT. 15AV) ... ..	1	S.80				M 29
1405	557259	SPINDLE (AMDT. 15AV) ... ..	1	S.80				
1265	552762	SPRING, torsion (PRE. AMDT. 15AV) ... ..	1	DTD.189				
1404	557258	SPRING (AMDT. 15AV) ... ..	1	DTD.189				
1603	557066	WASHER, tab (AMDT. 15AV) (PRE. AMDT. 15AV) ... ..	2	S.520				
1813	560820/1	WASHER TA13 (MOD 44AV) ... ..	1	6520				

VALVES, NON RETURN

Ref. No.	Part No.	Description	No. Off	Matl. Spec.	CL. OF ST.		Plate No.
					M.R.	L.M.	
815	513080	VALVE, NON RETURN 6.100" ... ..	1	—	A		M 27
		Spares for :—					
816	550709	ARM, adjuster ... ..	1	—	C		M 27
830	F.C.T.57	BEARING, flanged driving shaft .8125" long ... ..	1	—	C		
	550700	CASING, valve ... ..	1	—			M 27
817	550711	COLLAR, adjusting arm spindle ... ..	2	L.64	C		M 27
818	550707	LEVER, valve plate, operating ... ..	1	L.65	C		M 27
819	555250-A	LEVER, operating complete ... ..	1	—	C		M 27
820	550704	LINK, operating lever ... ..	2	DTD.546B	C		M 27
529	500715	NAMEPLATE (R.N.) ... ..	1	L.4	C		M 27
28Q/4900	AS.155/303	Rivet ... ..	3	—	C		
821	550703	PIN, attachment of links to operating lever and adjuster arm.	2	S.80	C		M 27
28P/12262	SP9/E6	Pin, split ... ..	2	—	C		
28W/15037	SP11/G	Washer, 5/16" B.S.F. ... ..	2	—	C		
	555255	PLATE, mounting, operating lever ... ..	1	L.A.			M 27
28D/13283	A28/2C	Bolt, 2 B.A. ... ..	4	—	C		
28M/10319	AGS.2002/C3	Nut, 2 B.A. ... ..	4	—	C		
28W/14319	SP11/C	Washer, B B.A. ... ..	4	—	C		
28L/11069	AGS.2035/C	Washer, 2 B.A., shakeproof ... ..	4	—	C		
	550717	PLATE, cover, driving shaft access aperture ... ..	1	DTD.603B			M 27
28D/12837	A28/1C	Bolt, 2 B.A. ... ..	4	—	C		
28M/10319	AGS.2002/C3	Nut, 2 B.A. ... ..	4	—	C		
28W/14319	SP11/C	Washer, 2 B.A. ... ..	4	—	C		
822	553398	PLATE, VALVE ASSEMBLY ... ..	1	—	C		M 27
		Spares for :—					
823	550713	BUSH, eccentric ... ..	2	S.80	C		M 27
	553396	PLATE, valve complete ... ..	1	—			M 27
	550702	PLATE, thrust ... ..	1	DTD.166B			M 27
	550715	SCREW, bush locking... ..	2	S.80			M 27
	550716	SCREW, attachment of thrust plate to valve plate	3	S.80			M 27
824	555257/B	PLUNGER, spring loaded ... ..	1	S.80	C		M 27
27KC/619	R.140	RING — "GACO", sealing between valve casing mounting plate and cover plate.	2	—	C		M 27
27Q/17229	SP916/3	RING, sealing — "DOWTY" mounting plate and driving shaft.	1	—	C		M 27

VALVES, NON RETURN

Ref. No.	Part No.	Description	No. Off	Matl. Spec.	CL. OF			Plate No.
					1	2	3	
27Q/1184	SP900/9	RING — "DOWTY", internal sealing casing bearing bosses and adjuster arm spindle.	1	—			C	
27KC/587	R.120	RING — "GACO", internal sealing casing bearing bosses and adjuster arm spindle.	1	—			C	M 27
826	550719	SCREW, grub, adjuster arm spindle collars locking ...	2	L.65			C	M 27
825	556177	SCREW, adjuster arm complete ... ..	1	—			C	M 27
28M/10330	AGS.2002/E1	Nut, .250 B.S.F. ... ..	1	—			C	
28W/9419405	SP15/E	Washer, .250" B.S.F. ... ..	1	—			C	
827	550721	SCREW, grub, flanged bearing locking to driving shaft.	2	L.65			C	M 27
828	555258	SHAFT, DRIVING ASSEMBLY ... .. Spares for:—	1	—			C	M 27
	555256	ADAPTOR ... ..	1	DTD.525			C	M 27
830	FCT.57	BEARING, flanged — "MANGANESE" ... ..	1	OILITE			C	
829	553578	PIN, locking adaptor to shaft ... ..	1	L.65			C	M 27
	550708	SHAFT, driving ... ..	1	S.80			C	M 27
28M/10340	AGS.2002/E2	Nut, .250" B.S.F. ... ..	1	—			C	
831	550712	SPINDLE, adjusting arm ... ..	1	L.65			C	M 27
28M/10320	AGS.2002/E3	Nut, .250" B.S.F. ... ..	1	—			C	
832	555254	SPRING, plunger ... ..	1	DTD.215			C	M 27
833	550720	WASHER, at attachment of adjuster arm spindle and driving shaft.	2	L.65			C	M 27
	556654	WASHER, plunger spring retaining ... ..	1	S.1			C	M 27
28P/12431	SP9/C6	Pin, split ... ..	1	—			C	
	556655	WASHER, at attachment of operating lever to driving shaft.	1	ALUM.			C	M 27
834	555266	WASHER, at attachment of operating lever to driving shaft.	1	DTD.166B			C	M 27
28D/12512	A25/1C	Bolt, 2 B.A. ... ..	1	—			C	
28W/9416643	SP47/C	Washer, spring 2 B.A. ... ..	1	—			C	

VALVES, NON RETURN

Ref. No.	Part No.	Description	No. Off	Matl. Spec.	CL. OF ST.			Plate No.
					1	2	3	
835	513070	VALVE, NON RETURN 2.400" ... ..	2	—	A			M 28
		Spares for :—						
837	503782	BEARING ... ..	1	B.8	C			M 28
28S/2814	A33/C16	Screw ... ..	2	—	C			
836	503667	BEARING ... ..	1	B.8	C			M 28
28S/2820	A33/C20	Screw ... ..	2	—	C			
	503074	BODY, valve ... ..	1	L.124				M 28
28D/12512	A25/1/C	Bolt ... ..	1	—	C			
28W/9416643	SP/47C	Washer ... ..	1	—	C			
839	503779	BOLT, special ... ..	2	DTD.126	C			M 28
28W/9418921	SP13/E	Washer ... ..	AR	—	C			
838	503518	BOLT, special ... ..	1	S.1	C			M 28
28M/13124	A27/CT	Nut, lock ... ..	1	—	C			
840	555262	BOLT, special (make from A25/1/2B) ... ..	2	—				M 28
28W/14456	SP11/B	Washer ... ..	2	—	C			
28W/9416642	SP47/B	Washer, spring ... ..	2	—	C			
841	555260	BRACKET, mounting ... ..	1	DTD.546	C			M 28
28D/12520	A25/4/E	Bolt ... ..	2	—	C			
28M/10330	AGS.2002/E	Nut ... ..	2	—	C			
28S/2820	A33/C20	Screw ... ..	1	—	C			
28W/9418921	SP13/E	Washer ... ..	2	—	C			
28D/12513	A25/2C	Bolt ... ..	1	—	C			
28W/3098	AGS.162/C	Washer, spring ... ..	1	—	C			
28W/9419402	SP13/C	Washer ... ..	1	—	C			
864	CT.4A	BUSH — "MANGANESE" ... ..	1	OILITE	C			
842	555264	BUSH ... ..	1	OILITE	C			M 28
844	503789	COLLAR ... ..	1	L.40	C			M 28
843	503786	COLLAR ... ..	1	L.40	C			M 28
847	506687	LEVER ... ..	1	DTD.610	C			M 28
845	503077	LEVER, clamping ... ..	1	L.40	C			M 28
846	503664	LEVER, adjusting complete ... ..	1	—	C			M 28
849	555250/B	LEVER, operating, complete ... ..	1	—	C			M 28
848	506891	LEVER, actuating assembly ... ..	1	—	C			M 28
		Spares for :—						
	CT.172	BUSH (x 0.4" long) ... ..	1	—				
	503662	LEVER, actuating ... ..	1	L.40				M 28
	506891/1	PEG ... ..	1	BS.1407				M 28
28P/873	SP4/D15	Pin, headed ... ..	1	—	C			
28P/9429528	SP9/C8	Pin, split ... ..	1	—	C			
	503785	ROLLER ... ..	1	S.80				M 28
	503784	WASHER, spacing ... ..	2	B.8				M 28

VALVES, NON RETURN

Ref. No.	Part No.	Description	No. Off	Matl. Spec.	CL. OF ST.			Plate No.
					1	2	3	
28W/9418921	SP13/E	Washer ... ..	1	—			C	
534	500500	<b>NAMEPLATE (R.N.)</b> ... ..	1	L.65			C	M 28
28S/6470	2R 3/16	Screw, self-tapping ... ..	4	—			C	
850	503780	<b>PAD</b> ... ..	1	DTD.171			C	M 28
28S/6472	A33/A6	Screw ... ..	2	—			C	
851	555261	<b>PLATE</b> , backing ... ..	1	DTD.166B			C	M 28
852	555265	<b>PLATE</b> , valve complete ... ..	1	—			C	M 28
853	555257/A	<b>PLUNGER</b> , spring-loaded ... ..	1	S.80			C	M 28
28P/1212431	SP9/C6	Pin, split ... ..	1	—			C	
1469	558169	<b>SEAT</b> , valve assembly complete <i>(ALT. DAT.)</i> ... ..	1	—			C	M 28
855	503078	<b>SHAFT</b> , operating ... ..	1	S.80			C	M 28
28P/13483	SP28/G4	Pin, taper ... ..	2	—			C	
1158	555801	<b>SHIM</b> ... ..	AR	ALUM.			C	M 28
	557229	<b>SHIM</b> ... ..	1	DTD.610			C	M 28
856	551867	<b>SHIM</b> ... ..	AR	KLING			C	M 28
857	555263	<b>SPINDLE</b> ... ..	1	DTD.525			C	M 28
832	555254	<b>SPRING</b> ... ..	1	DTD.215			C	M 28
859	503781	<b>STUD</b> ... ..	8	S.11			C	M 28
10328	AGS.2002/C/1	Nut ... ..	8	—			C	
28W/9419402	SP/13C	Washer ... ..	8	—			C	
	557047	<b>WASHER</b> ... ..	1	ALUM.			C	M 28
860	503284	<b>WASHER</b> ... ..	2	KLING.			C	M 28
862	506550	<b>WASHER</b> , laminated ... ..	1	BRASS			C	M 28
28W/9418921	SP13/E	Washer ... ..	1	—			C	
861	503669	<b>WASHER</b> , sealing ... ..	1	KLING.			C	M 28
834	555266	<b>WASHER</b> , special ... ..	1	DTD.166B			C	M 28

VALVES, NON RETURN

Ref. No.	Part No.	Description	No. Off	Matl. Spec.	CL. OF ST.			Plate No.
					1	2	3	
968	504390	VALVE, NON RETURN 2.000" (CLAMPED TYPE). Spares for :—	1	—				M 30
279	DDS.1092/1C	BOLT, attachment of end cap and bearing bush ...	4	—				M 30
28W/9419402	SP13/C	Washer, 2 B.A. ...	4	—			C	
277	501672	BODY VALVE (MOD 18AC) BODY, valve (PRE MOD. 18AC) ...	1	L.35				M 30
	504346	BUSH, bearing ...	1	L.1				M 30
	504345	CAP, end ...	1	L.1				M 30
	504347	COLLAR, bearing, at clamping lever ...	2	S.1				M 30
	504433	KEY, clamping lever locking ...	1	S.97				M 30
	504394	LEVER, clamping ...	1	S.15				M 30
567	503327	NAMEPLATE (R.N.) ...	1	L.4				M 30
28S/6470	2R 3/16"	Screw, Pk....	4	—			C	
	553090	NUT, valve plate hinge pin attachment ...	2	S.94				M 30
282	501668	PIN, hinge valve plate ...	2	S.1				M 30
28W/9419465	SP13/B	Washer, 4 B.A. (PRE MOD. 18AC) ...	2	—			C	
	504434	PLATE VALVE ASSEMBLY (MOD 18AC) PLATE, valve complete ..PRE (MOD. 18AC)...	1	—				M 30
	506887	SHAFT ...	1	—				M 30
	504435	SHIM, retaining asbestos lubricant at shaft ...	1	S.90				M 30
278	501679	WASHER, sealing of end cap and bearing bush to body.	2	ASBESTOS				M 30

VALVES, NON RETURN

Ref. No.	Part No.	Description	No. Off	Matl. Spec.	CL. OF ST.			Plate No.
					1	2	3	
964	506420	VALVE, NON RETURN, TYPE F.650 ... ..	1	—				M 31
		Spares for :—						
	506556	CASING, complete ... ..	1	—				M 31
	506554	FITTING, end, assembly... ..	1	—				M 31
		Spares for :—						
	506426	FITTING, end ... ..	1	S.110				M 31
	506427	FLAP, complete ... ..	1	—				M 31
	506428	HINGE ... ..	1	S.110				M 31
28Q/6608	AS.455/204	Rivet ... ..	2	—				
	506419	NAMEPLATE (AMDT. 3BC) ... ..	1	L.4				M 31
28Q/7138	AS.157/303	Rivet ... ..	3	—				
965	506429	PIN, hinge flap... ..	1	S.80				M 31
28M/16624	A49/F	Nut ... ..	1	—		C		
	506551	STUD, end fitting attachment to casing ... ..	6	S.110				M 31
28L/12619	A24/BT	Nut ... ..	6	—		C		
28W/9416642	SP/47B	Washer, spring ... ..	6	—		C		
966	506555	GASKET, sealing ... ..	1	HALLITE				M 31
	506419	NAMEPLATE (PRE. AMDT. 3BC) ... ..	1	L.4				
28S/6470	2R 3/16	Screw, Pk. (PRE. AMDT. 3BC) ... ..	3	—		C		

VALVES, NON RETURN

Ref. No.	Part No.	Description	No. Off	Matl. Spec.	CL. OF ST.			Plate No.
					1	2	3	
		1 2 3 4 5						
1811	516410	VALVE, NON RETURN 1.500" D.F.T. ...	1	—			A	M 32
		Spares for:—						
1600	554528	BRACKET	2	S.80			C	M 32
28M/13146	A24/AP	Nut	2	—				
	554534	FLAP, valve complete	2	—			C	M 32
1814	558424	FLAP, valve } Alternatives	2	BS.1630				M 32
	557221	FERRULE	2	S.80			C	M 32
1815	507843	GASKET	1	DTD.378A			C	M 32
1816	557072-B	RING, intake	1	BS.1630			C	M 32
1812	554530	SCREW, spiral	1	S.80			C	M 32
	557259	SPINDLE	1	S.80			C	M 32
1906	557220	SPRING	1	NIM. 90			C	M 32
1817	557073	SPRING } Alternatives	1	NIM. 90			C	M 32
1603	557066	WASHER, tab	2	S.521			C	M 32
1813	56032011	WASHER TAB (MOD 14AV)	1	5521			C	M 32
		PRE MOD MAC						

VALVES, NON RETURN

Ref. No.	Part No.	Description	No. Off	Matl. Spec.	CL. OF	Plate No.
					ST. M.R. L.M.	
		1 2 3 4 5				
1396	501680	VALVE, NON RETURN 2½" F.T. ... ..	1	—		M 33
		Spares for :—				
	501682	BODY ... ..	1	L.35		M 33
534	500500	NAMEPLATE (R.N.) ... ..	1	L.4		M 33
28S/6470	2R 3/16	Screw ... ..	4	—	C	
	553090	NUT ... ..	2	S.94		M 33
285	500298	PIN, hinge ... ..	2	DTD.126		M 33
28W/9419474	SP15/B	Washer ... ..	2	—	C	
	501683	PLATE, valve ... ..	1	L.35		M 33

VALVES, NON RETURN

Ref. No.	Part No.	Description	No. Off	Matl. Spec.	CL. OF	Plate No.
					ST.	
					M.R.	
					L.M.	
1400	512220	VALVE, NON RETURN 1.000" D.F.T. ... .. Spares for :—	1	—	A	M 34
	558036	FERRULE, flap spindle ... ..	2	S.80		M 34
	552798	FLAP, valve ... ..	2	L.65		M 34
	552804	GASKET, sealing ... ..	1	KLING.		M 34
	552796	RING, intake assembly ... .. Spares for :—	1	—		M 34
	552799	COLLAR ... ..	1	L.65		M 34
	552801	RIVET, collar attachment to ring <i>PRE AMDT. 9 AR</i>	1	DTD.525		M 34
<i>1808</i>	552802	SPINDLE, flap ... <i>AMDT. 9 AR.</i> ... ..	1	DTD.525	C	M 34
	558442	SPRING, torsion, flap ... ..	1	NIM. 90		M 34
	552803	WASHER, flap spindle ... ..	2	DTD.525		M 34

VALVES, NON RETURN

Ref. No.	Part No.	Description	No. Off	Matl. Spec.	CL. OF			Plate No.
					1	2	3	
1398	515150	VALVE, NON RETURN 1½" D.F.T. ... ..	1	—			A	M 35
		Spares for:—						
	507838	CASING, valve complete ... ..	1	—				M 35
1816	507843	GASKET ... ..	1	HALLITE			C	M 35
	554537	NAMEPLATE ... ..	1	DTD.571				M 35
	557111	VALVE ASSEMBLY ... ..	1	—			C	M 35
		Spares for:—						
1812	554530	BOLT, special ... ..	2	S.80				M 35
28M/13146	A24/AP	Nut ... ..	2	—				M 35
1600	554528	BRACKET ... ..	2	S.80				M 35
	557221	FERRULE ... ..	2	S.80			C	M 35
1814	558424	FLAP, valve ... ..	2	BSS.1630				M 35
	554534	FLAP, valve complete } Alternatives ... ..	2	—				M 35
	557072/A	RING, intake ... ..	1	S.80				M 35
	557259	SPINDLE ... ..	1	S.80				M 35
	557073	SPRING, torsion ... ..	1	NIM. 90				M 35
1811	557220	SPRING, torsion } Alternatives ... ..	1	NIM. 90			G	M 35
1603	557066	WASHER, special ... ..	2	—				M 35
1813	560820/1	WASHER THIS (MOD 17AV)	1	S521			C	

VALVES, NON RETURN

Ref. No.	Part No.	Description	No. Off	Matl. Spec.	CL. OF ST.			Plate No.
					1	2	3	
	512700	VALVE, NON RETURN 1.500" D.F.T. ...	1	—			A	M 36
		Spares for:—						
	557255	BRACKET, flap spindle retaining ...	2	L.65				M 36
	557074	FERRULE ...	2	S.110			C	M 36
1406	558417	FLAP, valve ...	2	L.52				M 36
	557257	FLAP, valve complete } Alternatives ...	2	—				M 36
1816	507843	GASKET ...	1	DTD.378A			C	M 36
	558415/C	RING, intake } Alternatives ...	1	L.52				M 36
	558416/C	RING, intake }	1	L.65				M 36
	557259	SPINDLE, flap .....	1	S.80				M 36
1360	552761	SCREW ...	2	S.80				M 36
	A49/A	Nut ...	2	—			C	
	557258	SPRING, torsion PRE MOD (14 AV) ...	1					
1603	557066	WASHER, tab PRE MOD (14 AV) ...	2	DTD.189			C	M 36
		WASHER TAB (MOD 20 AP) ...	1	S.521			C	M 36
1815	500820/1		1	S.521			C	

VALVES, NON RETURN

Ref. No.	Part No.	Description	No. Off	Matl. Spec.	CL. OF			Plate No.
					ST.	M.R.	L.M.	
		1 2 3 4 5						
1451	517760	VALVE, NON RETURN 3.000" D.F.T. ... ..	1	—	A		M 37	
		Spares for:—						
	552510	BOLT, bracket retaining ... ..	2	S.80			M 37	
28M/13450	A24/BP	Nut ... ..	2	—	C			
	554469	BRACKET, spindle retaining ... ..	2	—			M 37	
	557433	FERRULE ... ..	2	S.80			M 37	
	554471	FLAP, valve ... ..	2	S.S.			M 37	
	554472	FLAP, valve complete } Alternatives ... ..	2	—			M 37	
719	507493	GASKET ... ..	1	DTD.378A	C		M 37	
	558381/B	RING, intake } Alternatives ... ..	1	S.80			M 37	
	558382/B	RING, intake } Alternatives ... ..	1	S.80			M 37	
1488	552941	SPINDLE ... ..	1	S.80			M 37	
	552514	SPRING ... ..	1	DTD.326A	C		M 37	
1547	557109	WASHER, tab PRE (MOD 20 HP) ... ..	2	S.150	C		M 37	
	560238/3	WASHER TAB (MOD 20 HP) ... ..	1	S.50	C			

VALVES, NON RETURN

Ref. No.	Part No.	Description	No. Off	Matl. Spec.	CL. OF	Plate No.
					ST.	
					M.R.	
					L.M.	
1406	516390	VALVE, NON RETURN 7.500" D.F.T. ... ..	1	—	A	M 38
		Spares for :—				
	557092	BOLT, bracket retaining ... ..	2	S.80		M 38
28L/13124	A27/CT	Nut ... ..	2	—	C	
28L/9419409	SP/43C	Washer ... ..	2	—	C	
	557094	BRACKET, spindle retaining ... ..	2	L.65		M 38
	557095	FERRULE ... ..	2	L.65		M 38
	557089	FLAP, valve ... ..	2	L.65		M 38
1407	557096	GASKET ... ..	2	DTD.378A		M 38
	557091	RING, intake ... ..	1	L.65		M 38
	557093	SPINDLE ... ..	1	S.80		M 38
	558914	SPRING ... ..	1	NIM. 90		M 38

VALVES, NON RETURN

Ref. No.	Part No.	Description	No. Off	Matl. Spec.	CL. OF ST.			Plate No.
					1	2	3	
1804	512200/1	VALVE, NON RETURN 1.000" D.F.T. ...	1	—			A	M 39
		Spares for:—						
1806	558036	FERRULE, flap spindle ...	2	S.80			G	M 39
	554037	FLAP, valve complete } Alternatives	2	—				M 39
1805	558728	FLAP, valve	2	BS.1630			C	M 39
1804	552804	GASKET ...	1	HALLITE			C	M 39
	552805	RING, intake assembly ...	1	—				M 39
		Spares for:—						
	552808	COLLAR ...	1	S.110 DTD.525				M 39
	552801	RIVET ... PRE. AMDT. 9 AR.	1	DTD.525				M 39
1808	552802	SPINDLE ... (AMDT. 9 AR.)	1	DTD.525			F	M 39
1809	558035	SPRING ...	1	NIM. 90				M 39
	552803	WASHER ...	2	DTD.189				M 39

VALVES, NON RETURN

Ref. No.	Part No.	Description	No. Off	Matl. Spec.	CL. OF ST.	Plate No.
					M.R.	
		1 2 3 4 5				
1114	512500	VALVE, NON RETURN 1.500" D.F.T. ... ..	1	—	A	M 40
		Spares for:—				
	552856	FLANGE ... ..	1	S.80		M 40
28M/13146	A24/AP	Nut ... ..	2	—	C	
28S/6359	A37/A12	Screw ... ..	2	—	C	
28W/15318	SP/11A	Washer ... ..	2	—	C	
1262	507762	GASKET ... ..	1	DTD.378A		M 40
	557112	VALVE, assembly... ..	1	—		M 40
		Spares for:—				
1360	552761	BOLT, bracket retaining ... ..	2	S.80		M 40
28L/13775	A24/AT	Nut ... ..	2	—	C	
1600	554528	BRACKET, spindle retaining... ..	2	S.80		M 40
1601	557110	FERRULE (use with spring 557067)... ..	2	S.110		M 40
	557601	FERRULE (use with spring 557602)... ..	2	S.80		M 40
1605	557116	FLAP, valve ... ..	2	S.80		M 40
	557123	RING, intake ... ..	1	S.80		M 40
1602	557200	SPINDLE, flap ... ..	1	S.110		M 40
	557067	SPRING (use with ferrule 557110) ... ..	1	NIM.90		M 40
1604	557602	SPRING (use with ferrule 557601) ... ..	1	DTD.747		M 40
1603	557066	WASHER, tab (PRE. MOD (S.A.V.)) ... ..	2	S.521	C	M 40
2285	560820/3	WASHER-TAB. (MOD 18 AV) ... ..	1	S521	C	

VALVES, NON RETURN

Ref. No.	Part No.	Description	No. Off	Matl. Spec.	CL. OF ST.			Plate No.
					1	2	3	
		1 2 3 4 5						
1405	515570	VALVE, NON RETURN 4.000" ... ..	1	—	A		M 41	
		Spares for:—						
	554650	ARM, flap valve levers, complete ... ..	1	—			M 41	
	A24/AT	Nut ... ..	1	—	C			
28S/	A35/A16	Screw (PRE. MOD. 4BX) ... ..	1	—	C			
260/1314B	A26/2A	SCREW AMDT 4BX	1	—	C			
	554642	BODY, seating ... ..	1	S.80			M 41	
	557986	BOLT, attachment of end flanges to seating body and operating lever locking bracket.	24	S.80			M 41	
28L/12983	A24/CT	Nut ... ..	20	—	C			
	554649	BRACKET, operating lever locking, assembly ...	1	S.80			M 41	
		Spares for:—						
	554648	BRACKET ... ..	1	DTD.171A			M 41	
567	503327	NAMEPLATE (R.N.) ... ..	1	L.17	C		M 41	
	AS.162/302	Rivet ... ..	4	—				
	552542	(GENERATED) BUSH, <del>flap</del> flap operating levers ... ..	1	S.80			M 41	
	557209	FERRULE, flap spindle ... ..	2	S.80			M 41	
	554644	FLANGE, outlet end ... ..	1	S.110			M 41	
	554643	FLANGE, inlet end ... ..	1	S.110			M 41	
	554647	FLAP, complete ... ..	2	—			M 41	
	554656	GASKET, sealing ... ..	2	DTD.378A			M 41	
	552538	LEVER, flap operating ... ..	2	S.80			M 41	
28M/13146	A24/AP	Nut (PRE. MOD. 4BX) AMDT ... ..	2	—	C			
28L/13775	A24/AT	Nut (MOD. 4BX) AMDT ... ..	2	—				
28D/13148	A26/2A	Screw (MOD. 4BX) AMDT ... ..	2	—				
	554652	LUG, flap spindle retaining ... ..	1	S.80			M 41	
28D/13153	A26/8B	Bolt ... ..	2	—	C			
28M/13450	A24/BP	Nut ... ..	2	—	C			
	557988	PACKING ... ..	1	—				
	552851	PIN, operating arm ... ..	1	S.80			M 41	
	552212	RING, gland ... ..	3	BS.369			M 41	
	552889	SCREW, operating lever (PRE. AMDT. 4BX) ...	2	BS.970			M 41	
	554645	SHAFT, flap lever operating ... ..	1	S.80			M 41	
28W/14319	SP/11C	Washer ... ..	1	S.80			M 41	
	552210	SLEEVE, gland ... ..	1	S.80			M 41	
	554653	SPINDLE, flap ... ..	1	—	C			
	552852	SPRING, compression, operating arm pin ...	1	NIM. 90			M 41	
28P/12645	SP9/B4	Pin. split 3/16" dia. ... ..	1	—	C			
	554655	SPRING, flap ... ..	1	NIM. 90			M 41	
1470	556966	WASHER, tab PRE. AMDT 5.13 X ...	4	DTD.166			M 41	
715	552218	WASHER ... PRE. AMDT. 5 BX ...	2	BSS.899			M 41	
	552853	WASHER ... ..	1	S.80			M 41	
	557987	WASHER, tab (MOD. 4BX) AMDT ...	22	S.521			M 41	
1469	557066	WASHER, tab (MOD. 4BX) AMDT ...	6	—				
	560094	WASHER TAB AMDT 6 BX	4	5520	C			

VALVES, NON RETURN

Ref. No.	Part No.	Description	No. Off	Matl. Spec.	CL. OF ST.			Plate No.
					1	2	3	
	517750	VALVE, NON RETURN, .750" ... ..	1	—			A	M 42
		Spares for :—						
	506556	CASING, complete ... ..	1	—				M 42
	506554/1	FITTING, end assembly ... ..	1	—				M 42
		Spares for :—						
	557479	FITTING, end ... ..	1	S.110				M 42
	506427	FLAP, valve, complete ... ..	1	—				M 42
	506428	HINGE ... ..	1	S.110				M 42
28Q/6608	AS.455/204	Rivet ... ..	2	—			C	
	506419	NAMEPLATE (AMDT. 3BC) ... ..	1	L.4				M 42
28Q/7138	AS.157/303	Rivet ... ..	3	—			C	
	965	PIN, hinge flap ... ..	1	S.80			C	M 42
28M/16624	A49/Y	Nut ... ..	1	—			C	
	506551	STUD, end fitting, attachment to fitting ... ..	6	S.110				M 42
28M/12619	A24/BT	Nut ... ..	6	—			C	
28W/9416642	SP47/B	Washer, spring ... ..	6	—			C	
	966	GASKET, sealing ... ..	1	HALLITE			C	M 42
	506419	NAMEPLATE (PRE. AMDT. 3BC) ... ..	1	L.4				
28S/6470	2R-3/16"	Screw (PRE. AMDT. 3BC) ... ..	3	—			C	

VALVES, NON RETURN

Ref. No.	Part No.	Description	No. Off	Matl. Spec.	CL. OF			Plate No.
					ST.	M.R.	L.M.	
		1 2 3 4 5						
1650	518060	VALVE, NON RETURN, 3.000" D.F.T. ... ..	1	—	A		M 43	
		Spares for :—						
	558208	CASING, valve assembly ... ..	1	—			M 43	
		Spares for :—						
	554485	SPRING, retaining ... ..	1	NIM.90			M 43	
	AS.457/203	Rivet ... ..	2	—				
719	507493	GASKET ... ..	1	DTD.378A	C		M 43	
	552474	NAMEPLATE ... ..	1	DTD.171A			M 43	
	AS.457/202	Rivet ... ..	4	—				
	558210	RING, intake assembly ... ..	1	—			M 43	
		Spares for :—						
	552510	BOLT ... ..	2	S.110			M 43	
28M/13450	A24/BP	Nut ... ..	2	—	C			
	554469	BRACKET ... ..	2	S.110			M 43	
	557433	FERRULE ... ..	2	S.80			M 43	
	554471	FLAP, valve ... ..	2	S.80			M 43	
	554472	FLAP, valve, complete } Alternatives ... ..	2	—			M 43	
	558381/C	RING, intake } Alternatives ... ..	1	S.80			M 43	
	558382/C	RING, intake } Alternatives ... ..	1	S.80			M 43	
1488	552941	SPINDLE (R.N.) ... ..	1	S.80	C		M 43	
1353	552914	SPRING (R.N.) ... ..	1	DTD.189	C		M 43	
	560238/1	WASHER, tab (MOD. 19AP) ... ..	1	S.520			M 43	

VALVES, NON RETURN

Ref. No.	Part No.	Description	No. Off	Matl. Spec.	CL. OF	Plate No.
					ST.	
		1 2 3 4 5			M.R.	
					L.M.	
1785	520290	VALVE, NON RETURN 2.000" D.F.T. ... ..	1	—	A	M 44
		Spares for :—				
1551	554127	BOLT, bracket attachment ... ..	2	S.80	C	M 44
28M/13450	A24/BP	Nut ... ..	2	—	C	
1548	554126	BRACKET, spindle retaining ... ..	2	DTD.422B	C	M 44
1549	556917	FERRULE, flap spindle ... ..	2	L.65	C	M 44
	554121	FLAP, valve, complete } Alternatives ... ..	2	—		M 44
1786	558397	FLAP, valve } Alternatives ... ..	2	L.52	C	M 44
1552	554128	GASKET ... ..	1	DTD.378A	C	M 44
	559762	RING, intake } Alternatives ... ..	1	L.65		M 44
	558398/D	RING, intake } Alternatives ... ..	1	L.52		M 44
1550	554125	SPINDLE, flap ... ..	1	S.110	C	M 44
1553	557312	SPRING, torsion } Alternatives ... ..	1	NIM. 90	C	M 44
	556916	SPRING, torsion } Alternatives ... ..	1	DTD.189		M 44
1547	557109	WASHER, tab ... ..	2	S.520	C	M 44

VALVES, NON RETURN

Ref. No.	Part No.	Description					No. Off	Matl. Spec.	CL. OF ST.		Plate No.
		1	2	3	4	5			M.R.	L.M.	
1787	520300	VALVE, NON RETURN 2.000" D.F.T. ... ..					1	—	A		M 45
		Spares for :—									
1551	554127	BOLT ... ..					2	S.80	C		M 45
28M/13450	A24/BP	Nut ... ..					2	—	C		
1788	558154	BRACKET ... ..					2	S.80	C		M 45
1789	558163	FERRULE ... ..					2	S.80	C		M 45
1790	558151	FLAP, valve ... ..					2	BS.1631-B	C		M 45
	558401	FLAP, valve, complete } Alternatives ... ..					2	—			M 45
1552	554128	GASKET ... ..					1	DTD.378A	C		M 45
	559764	RING, intake } Alternatives ... ..					1	S.80			M 45
	559765	RING, intake } Alternatives ... ..					1	BS.1631-B			M 45
1550	554125	SPINDLE ... ..					1	S.110	C		M 45
1791	558162	SPRING ... ..					1	NIM. 90	C		M 45
1547	557109	WASHER, tab ... ..					2	S.520	C		M 45

VALVES, NON RETURN

Ref. No.	Part No.	Description	No. Off	Matl. Spec.	CL. OF			Plate No.
					ST.	M.R.	L.M.	
1792	520310	VALVE, NON RETURN 3.000" ... .. Spares for:—	1	—	A			M 46
1793	552510	BOLT ... ..	2	S.80	C			M 46
28M/13450	A24/BP	Nut ... ..	2	—	C			
1794	554469	BRACKET ... ..	2	S.80	C			M 46
1795	557433	FERRULE ... ..	2	S.80	C			M 46
1796	554471	FLAP, valve } Alternatives ... ..	2	S.80	C			M 46
	554472	FLAP, valve, complete } ... ..	2	—				M 46
1797	559750	GASKET ... ..	1	DTD.378A	C			M 46
	558381/F	RING, intake } Alternatives ... ..	1	S.80				M 46
	558382/E	RING, intake } ... ..	1	S.80				M 46
1488	552941	SPINDLE ... ..	1	S.80	C			M 46
1798	552514	SPRING ... ..	1	DTD.326A	C			M 46
1547	557109	WASHER, tab (PRE MOD 20 AP) ... ..	2	S.520	C			M 46
	560238/3	WASHER TAB (MOD 20 AP) ... ..	1					

CONTROLLERS, PRESSURE

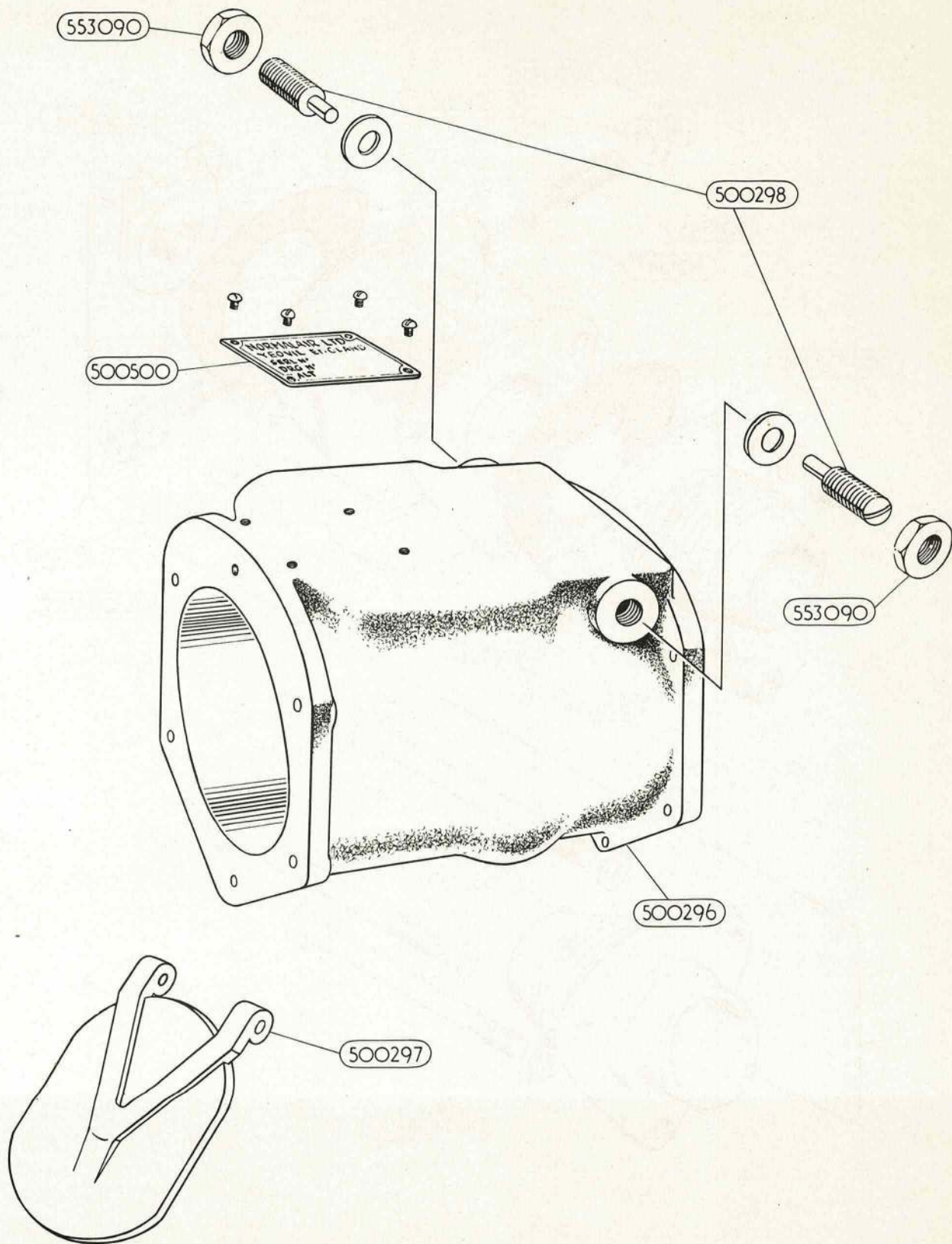
Ref. No.	Part No.	Description	No. Off	Matl. Spec.	CL. OF	Plate No.
					ST.	
					M.R.	
					L.M.	
	519000	VALVE, NON RETURN, 1.500" D.F.T. ..R.N.. ...	1	—	JP	M 47
		Spares for:—				
1360	552761	BOLT, special ... ..	2	S.80	C	M 47
28M/13775	A24/AT	Nut ... ..	2	—	C	
1600	554528	BRACKET ... ..	2	S.80	C	M 47
1601	557110	FERRULE (Use with Spring 557067)	2	S.110	C	M 47
	557601	FERRULE (Use with Spring 557602) } Alternatives	2	S.80	C	M 47
1605	557116	FLAP, valve ... ..	2	S.80	C	M 47
1262	507762	GASKET ... ..	2	DTD.378	C	M 47
	557123	RING, intake ... ..	1	S.80	C	M 47
1602	557200	SPINDLE ... ..	1	S.110	C	M 47
	557067	SPRING (Use with Ferrule 557110)	1	NIM.90	C	M 47
1604	557602	SPRING (Use with Ferrule 557601) } Alternatives	1	DTD.747	C	M 47
1603	557066	WASHER, tab PRE MOD 18 HV ... ..	2	S.521	C	M 47
2285	560820/3	WASHER TAB MOD 18 HV	1	552J	C	

VALVES, NON RETURN

Ref. No.	Part No.	Description	No. Off	Mat. Spec.	CL. OF ST.			Plate No.
					1	2	3	
	520350	VALVE, NON RETURN — 1.500" D.F.T. ... ..	1	—				M 48
		Spares for :—						
1262	507762	GASKET ... ..	1	DTD.378A			C	M 48
	554778	VALVE, assembly ... ..	1	—				M 48
		Spares for :—						
	552859	BRACKET ... ..	2	S.80				M 48
28M/13375	A24/AT	Nut ... ..	2	—			C	
28W/15318	SP/11A	Washer ... ..	2	—			C	
1360	552761	BOLT ... ..	2	S.80			C	M 48
1361	552857	FLAP, valve ... ..	2	BS.1630			C	M 48
	554777	PIECE, distance ... ..	2	S.110				M 48
	552855	RING, intake ... ..	1	S.80				M 48
1359	552858	SPINDLE ... ..	1	S.110			C	M 48
	554554	SPRING ... ..	1	NIM.90				M 48

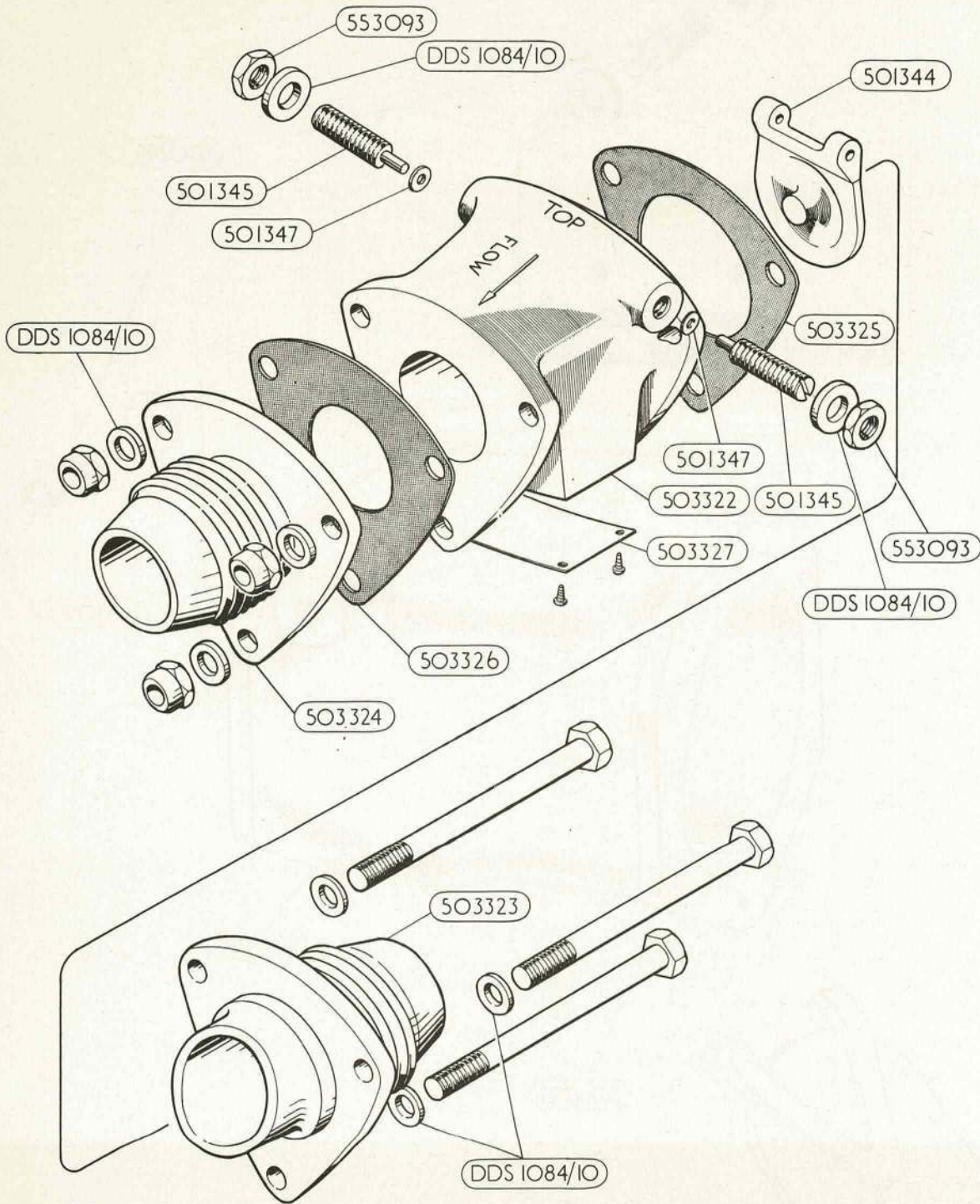
VALVES, NON RETURN

Ref. No.	Part No.	Description	No. Off	Matl. Spec.	CL. OF ST.			Plate No.
					1	2	3	
	521480	VALVE, NON RETURN 1.000" D.F.T. ...	1	—				M 49
		Spares for :—						
1806	558036	FERRULE ...	2	S.80		C		M 49
1805	558728	FLAP, valve ...	2	BS.1630		C		M 49
	554037	FLAP, valve complete } Alternatives	2	—				M 49
	561175	GASKET ...	1	KLING				M 49
	561174	RING, intake assembly ...	1	—				M 49
		Spares for :—						
	552808	COLLAR ...	1	S.110				M 49
	561176	RING, intake ...	1	S.80				M 49
1808	552802	SPINDLE ...	1	DTD.525		C		M 49
1808	552802	SPINDLE ...	1	DTD.525		C		M 49
1809	558035	SPRING ...	1	NIM.90		C		M 49
1956	552803	WASHER ...	1	DTD.189		C		M 49

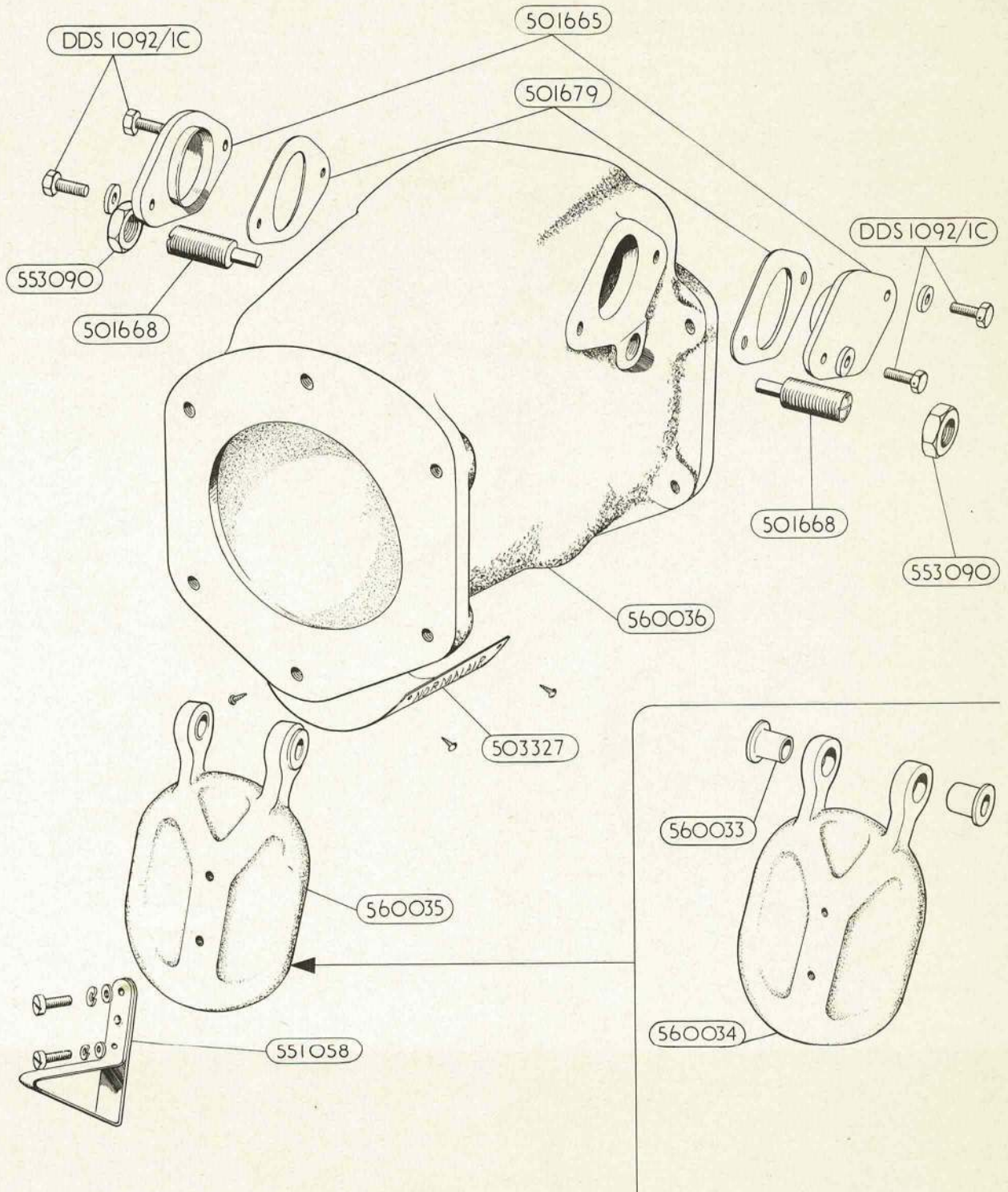


VALVE , NON- RETURN

PLATE M2

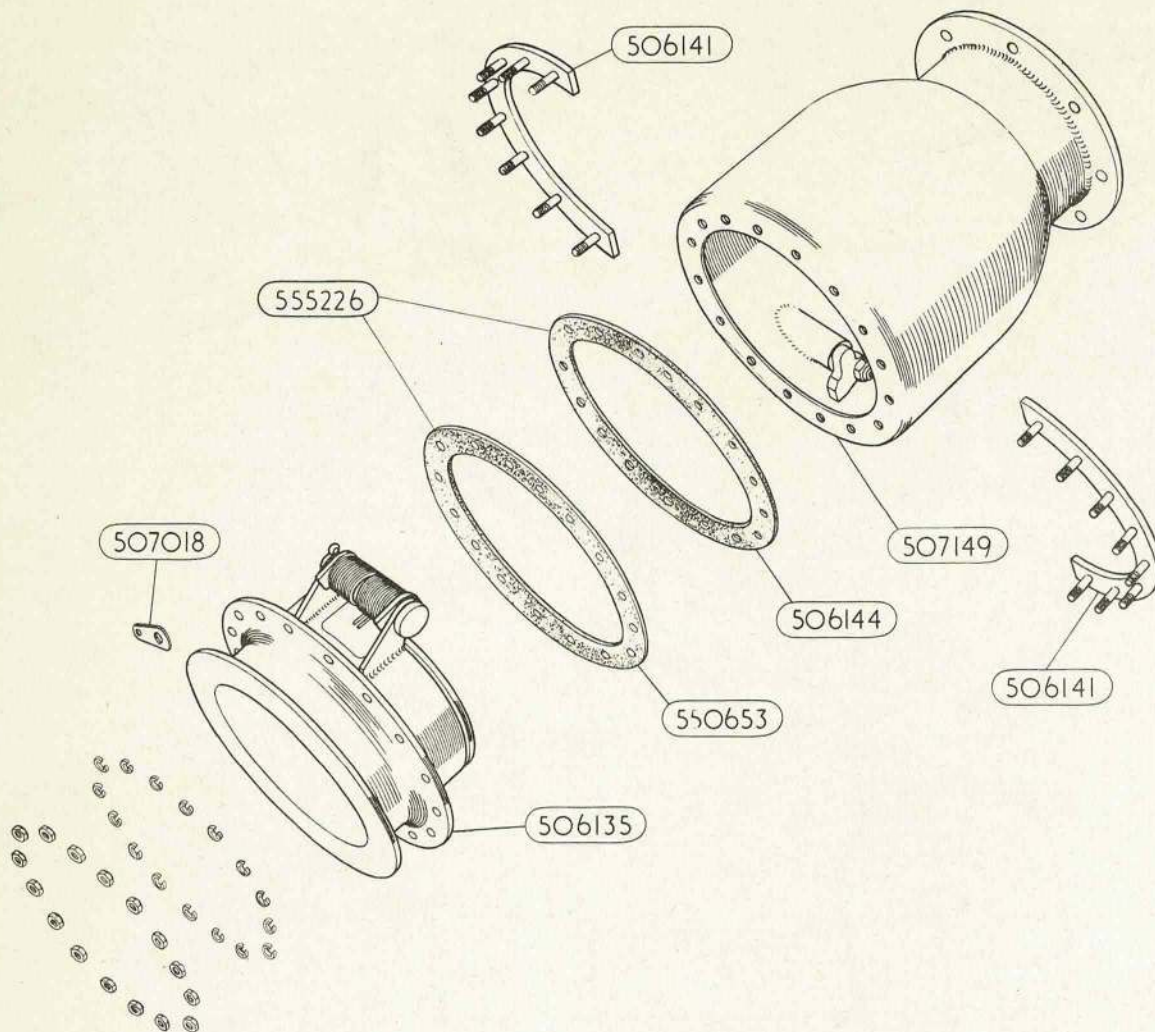


VALVE , NON - RETURN

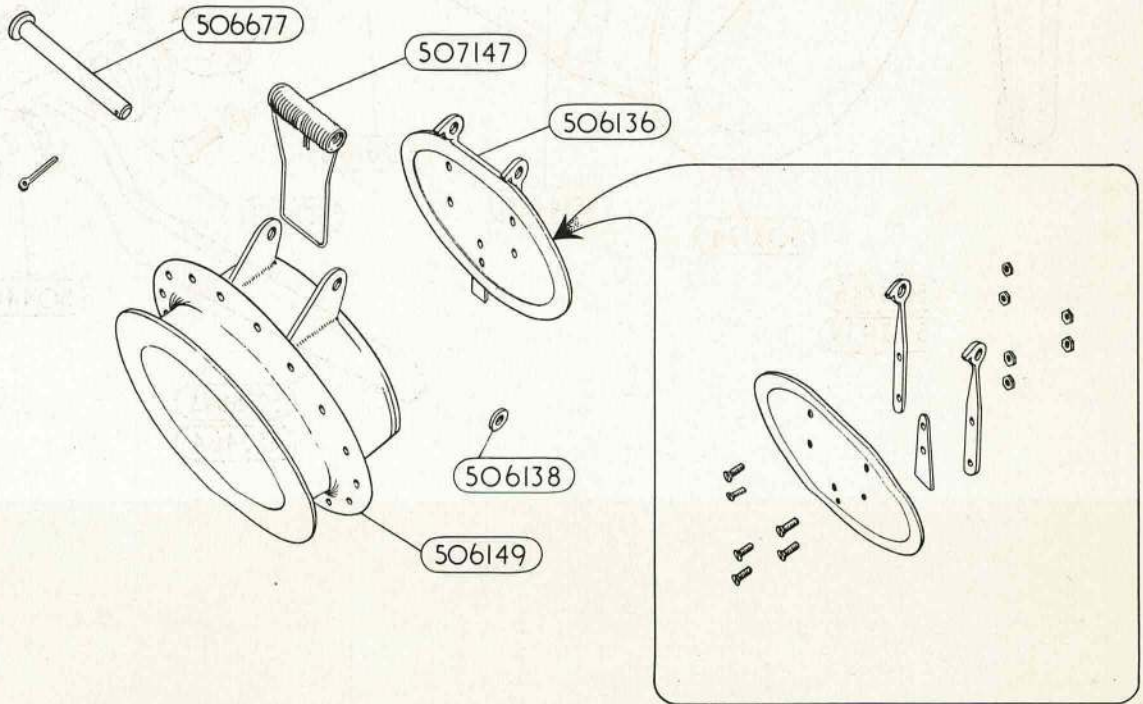
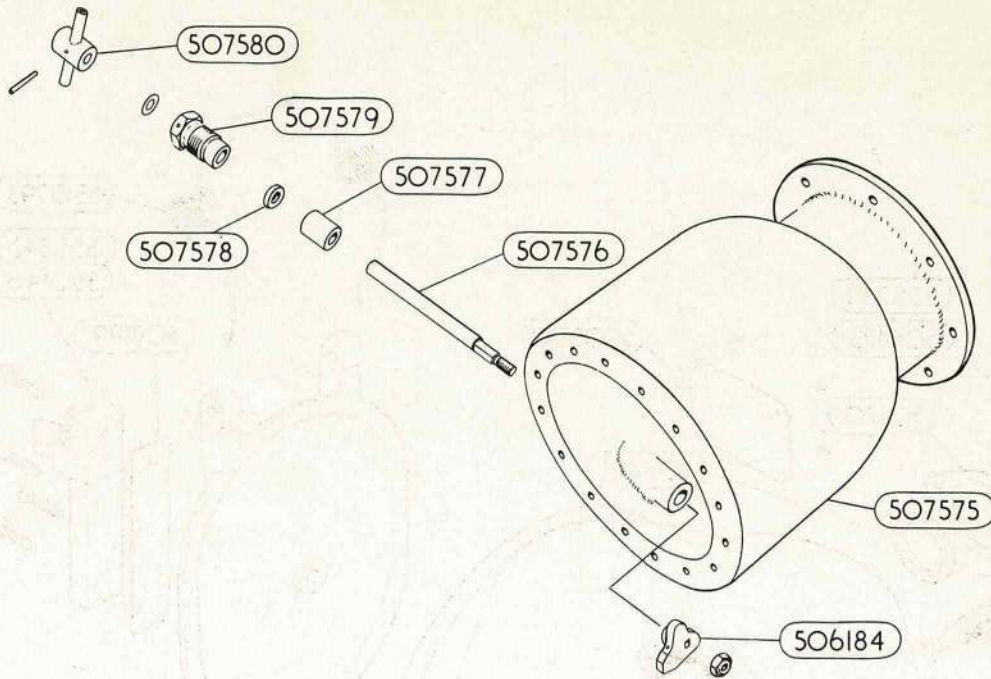


VALVE , NON - RETURN

PLATE M4

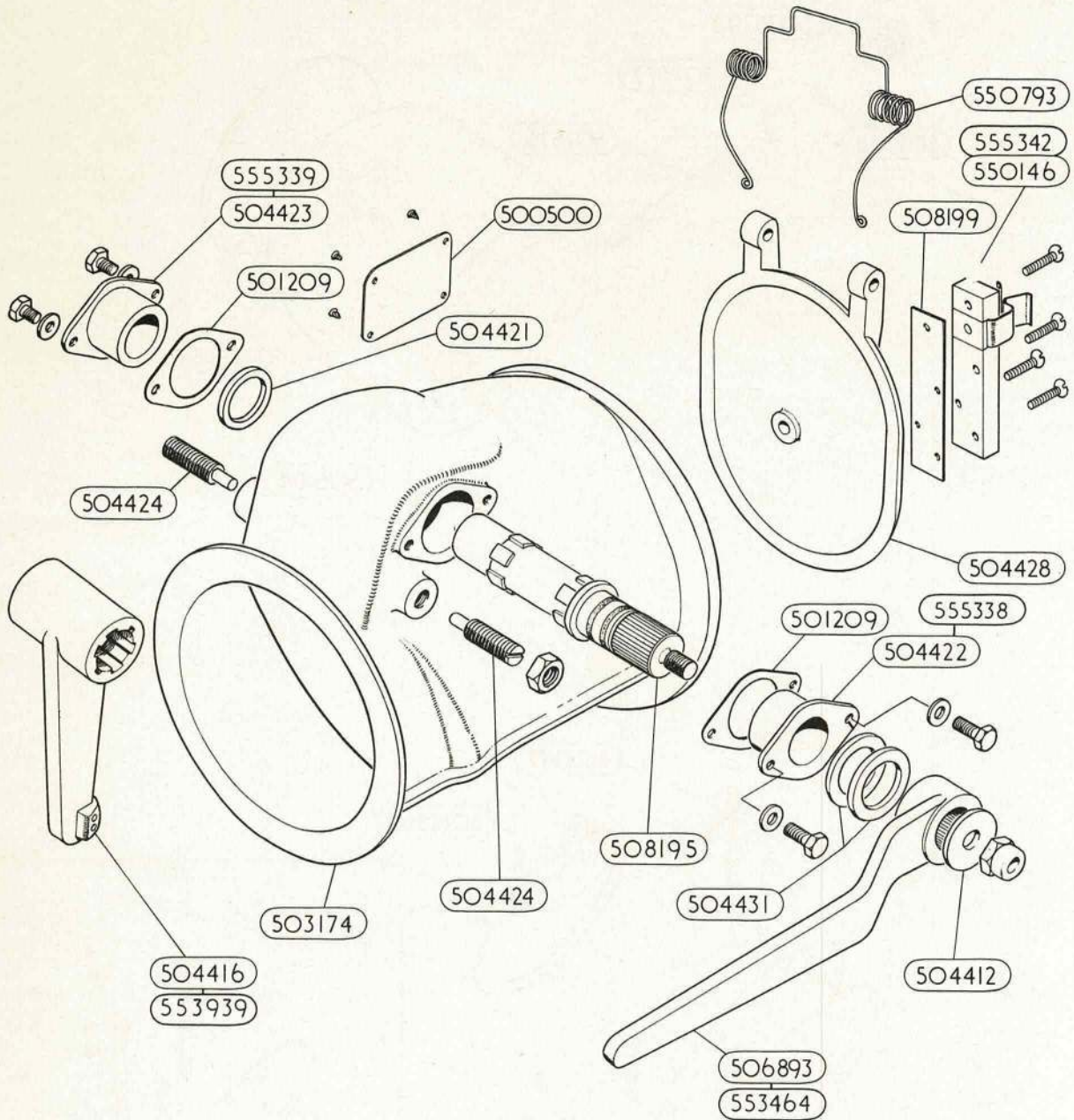


VALVE, NON-RETURN



ASSEMBLIES VARIOUS

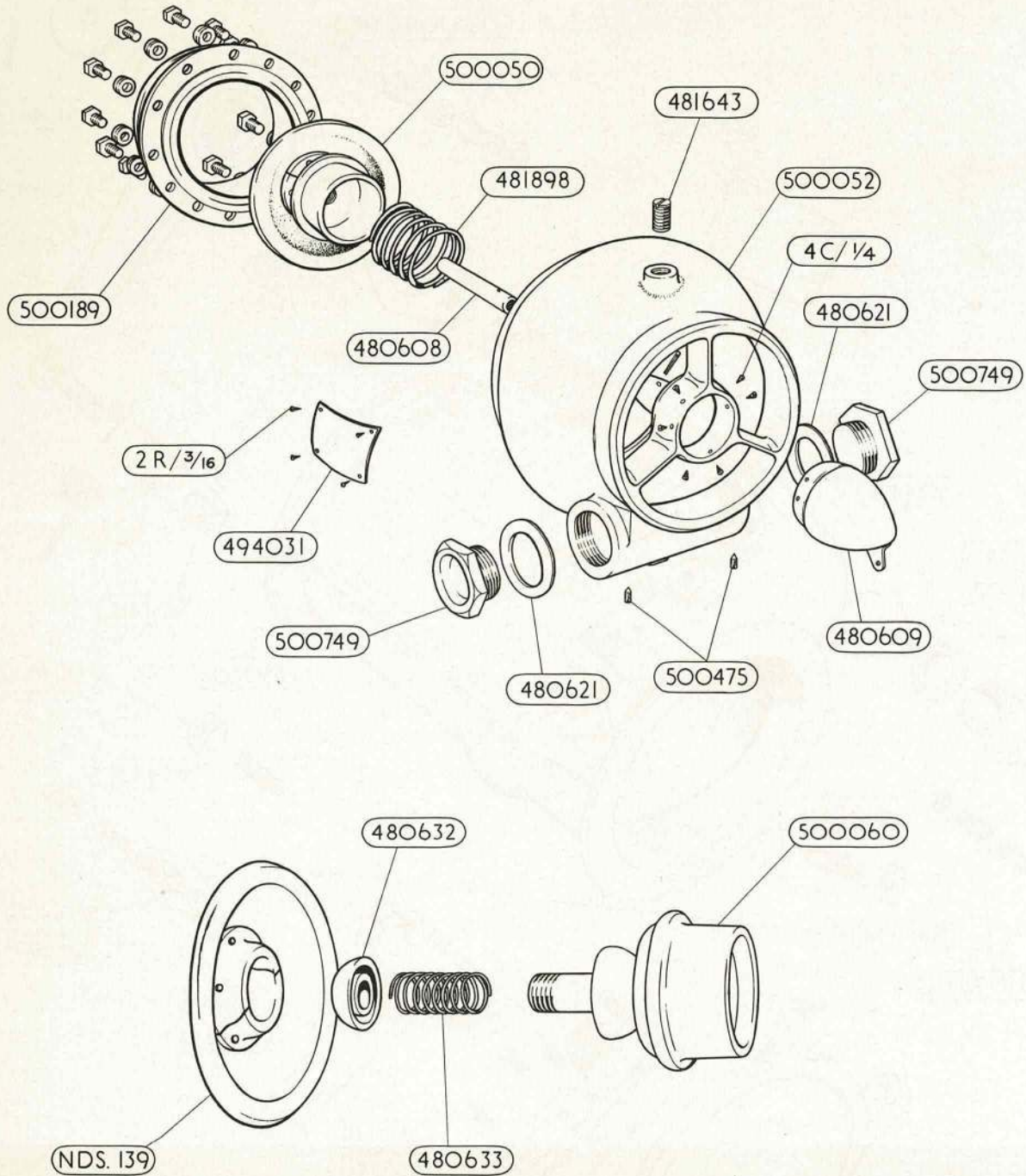
PLATE M6



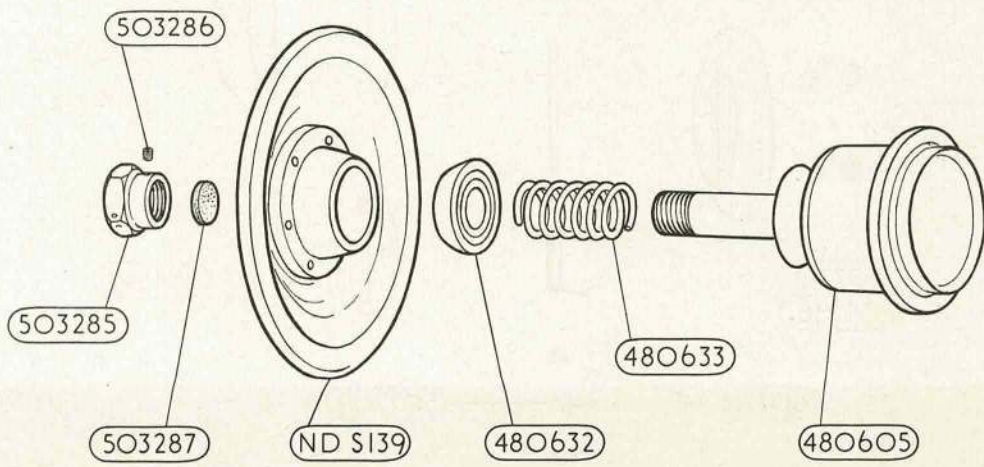
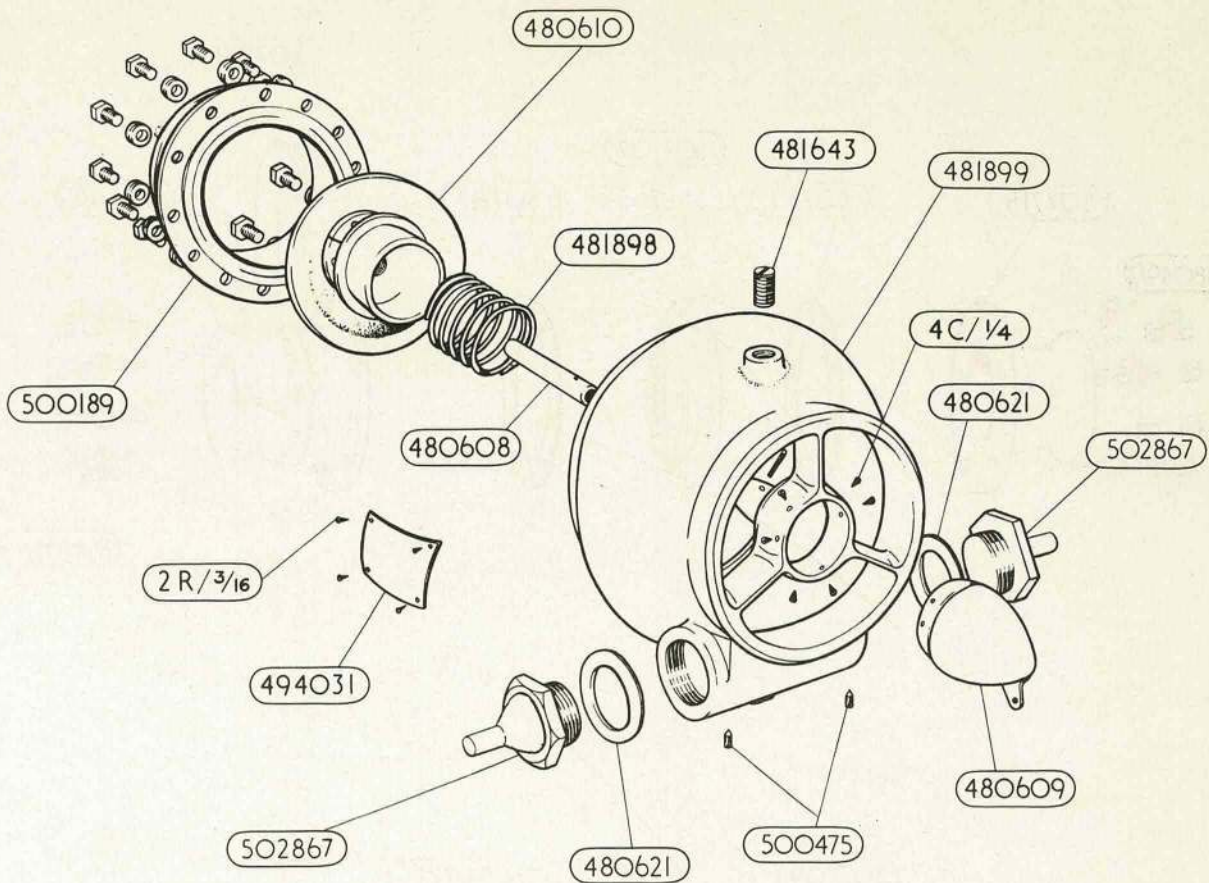
VALVE, NON-RETURN



PLATE. M8.

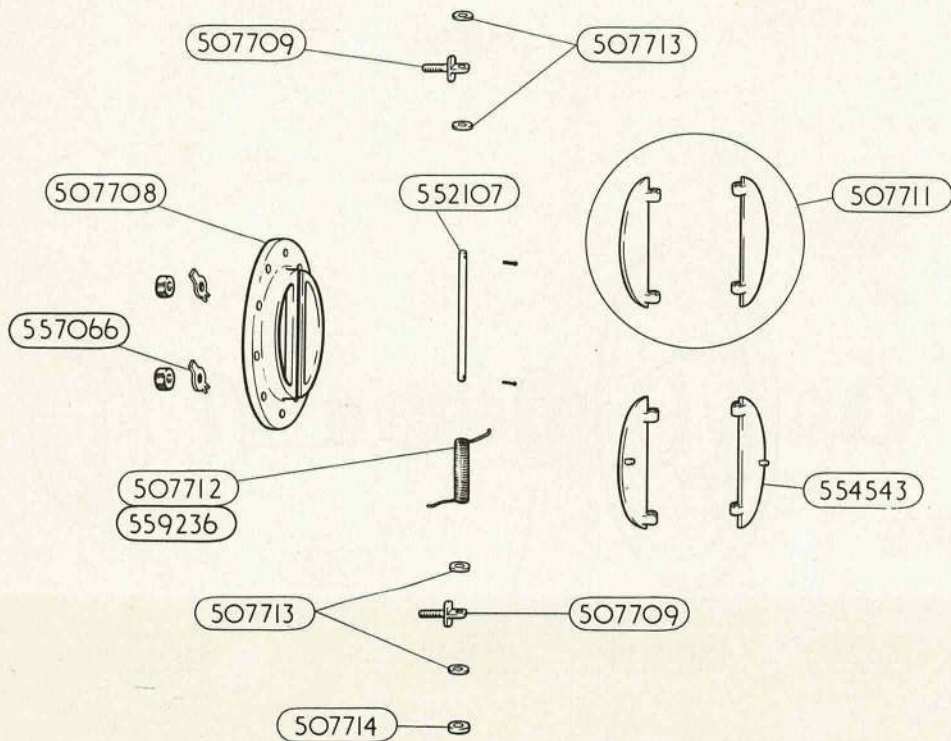
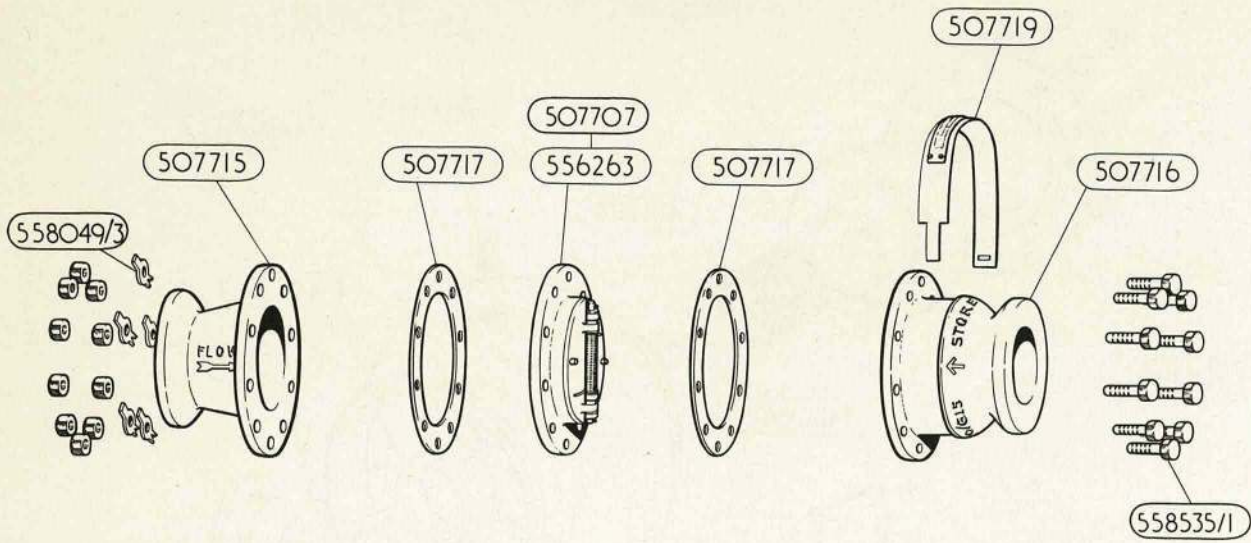


VALVE, NON-RETURN

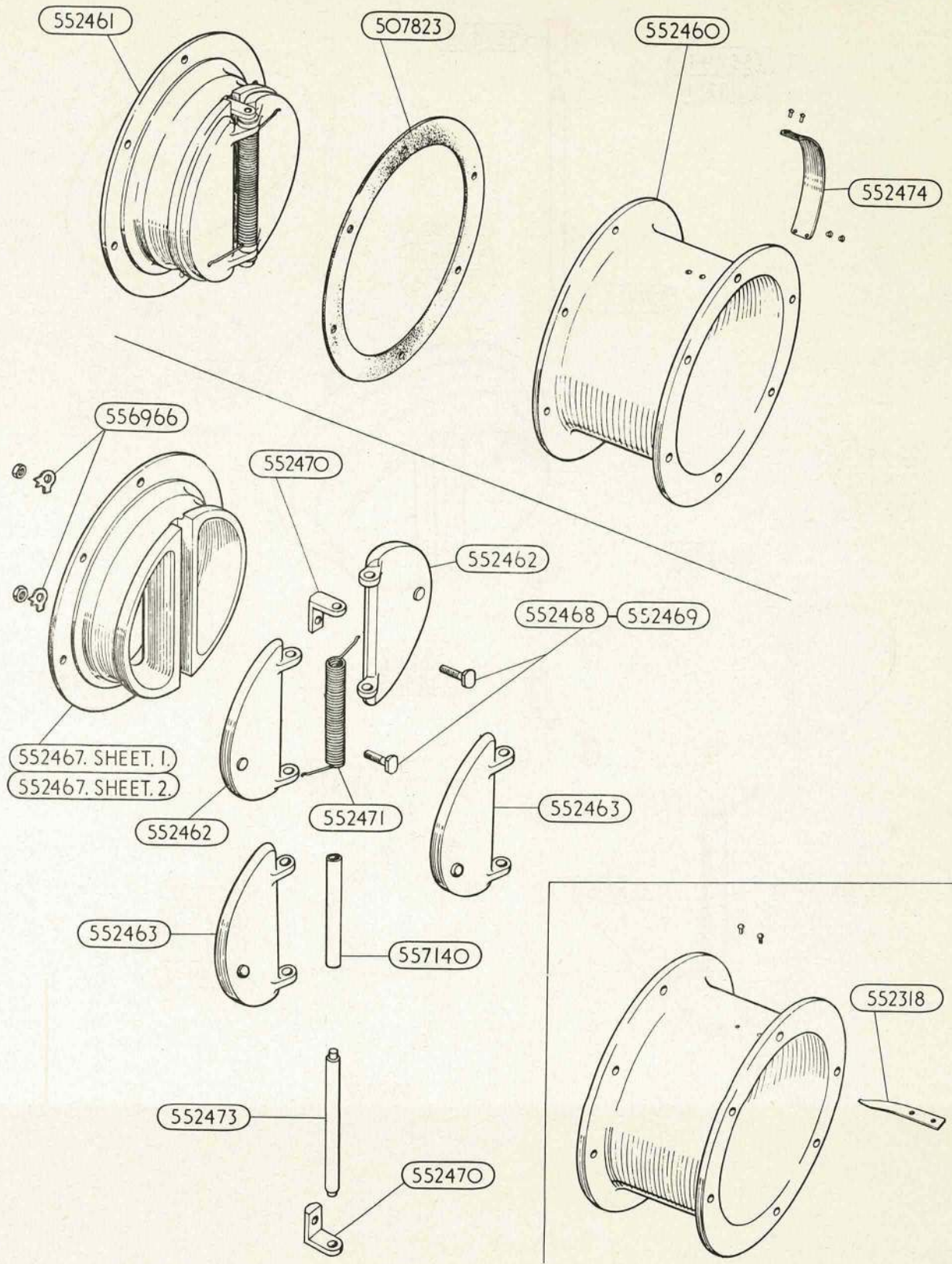


VALVE, NON-RETURN

PLATE M.I.O.

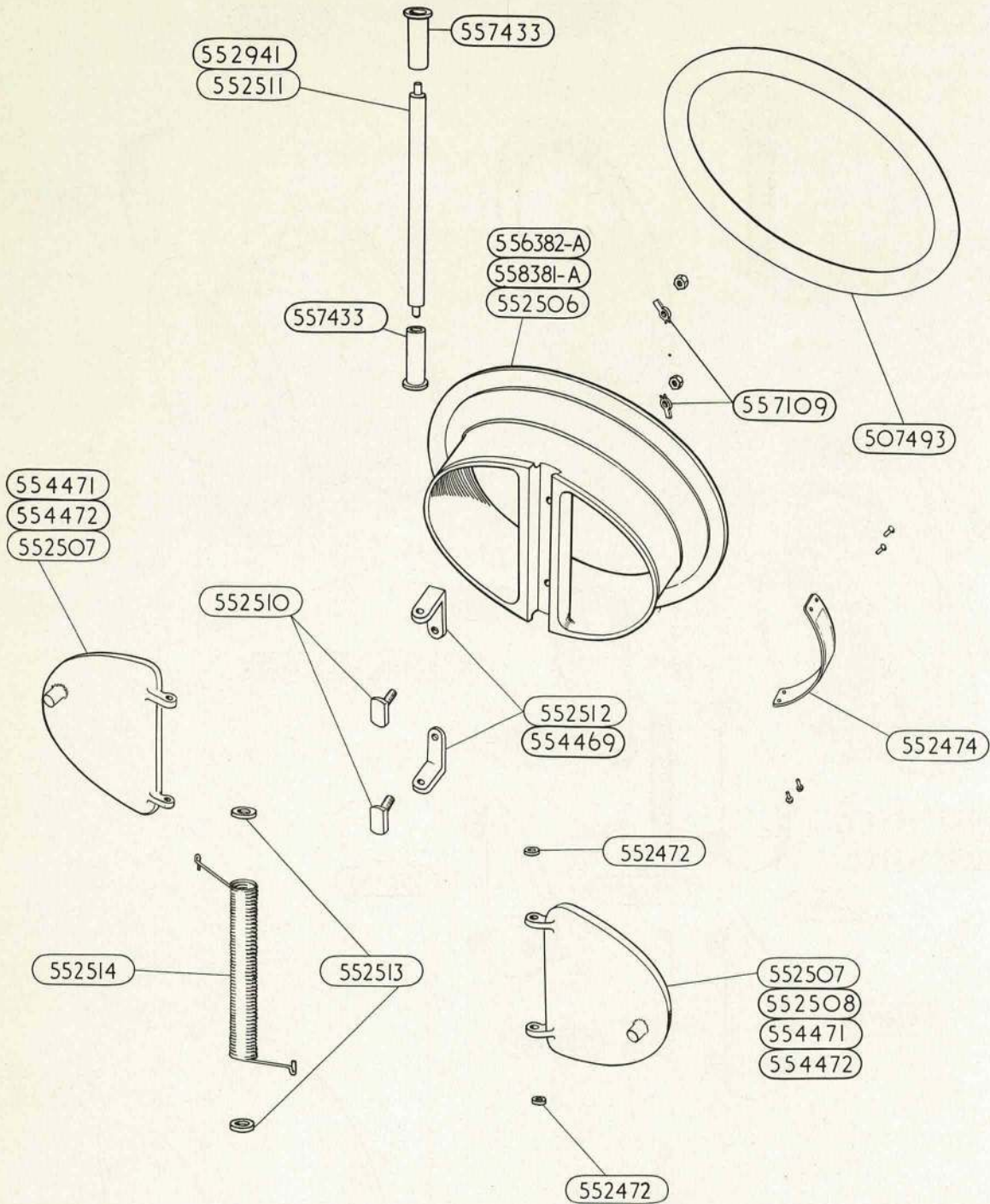


VALVE, NON-RETURN

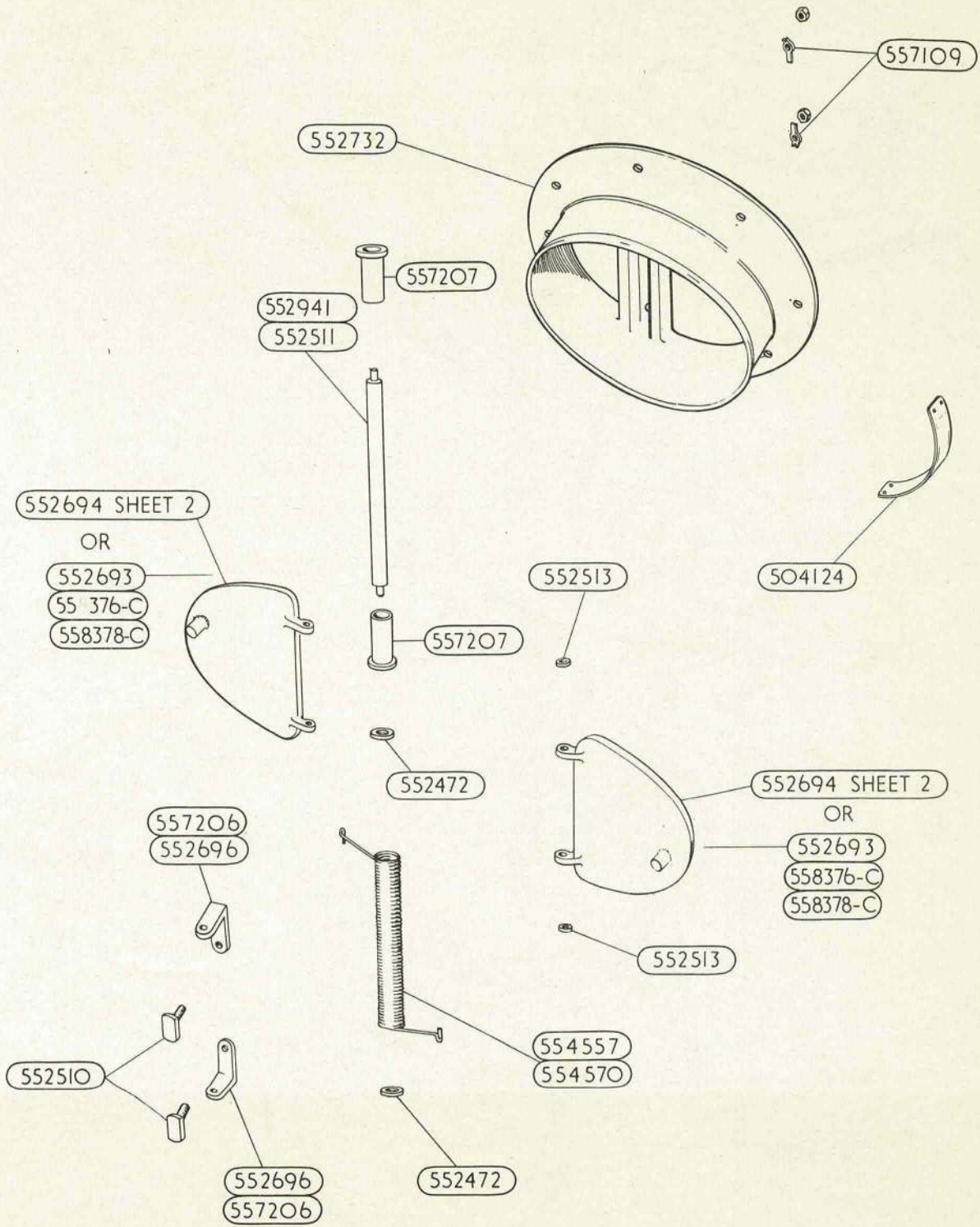


VALVE, NON RETURN

PLATE. M.12.



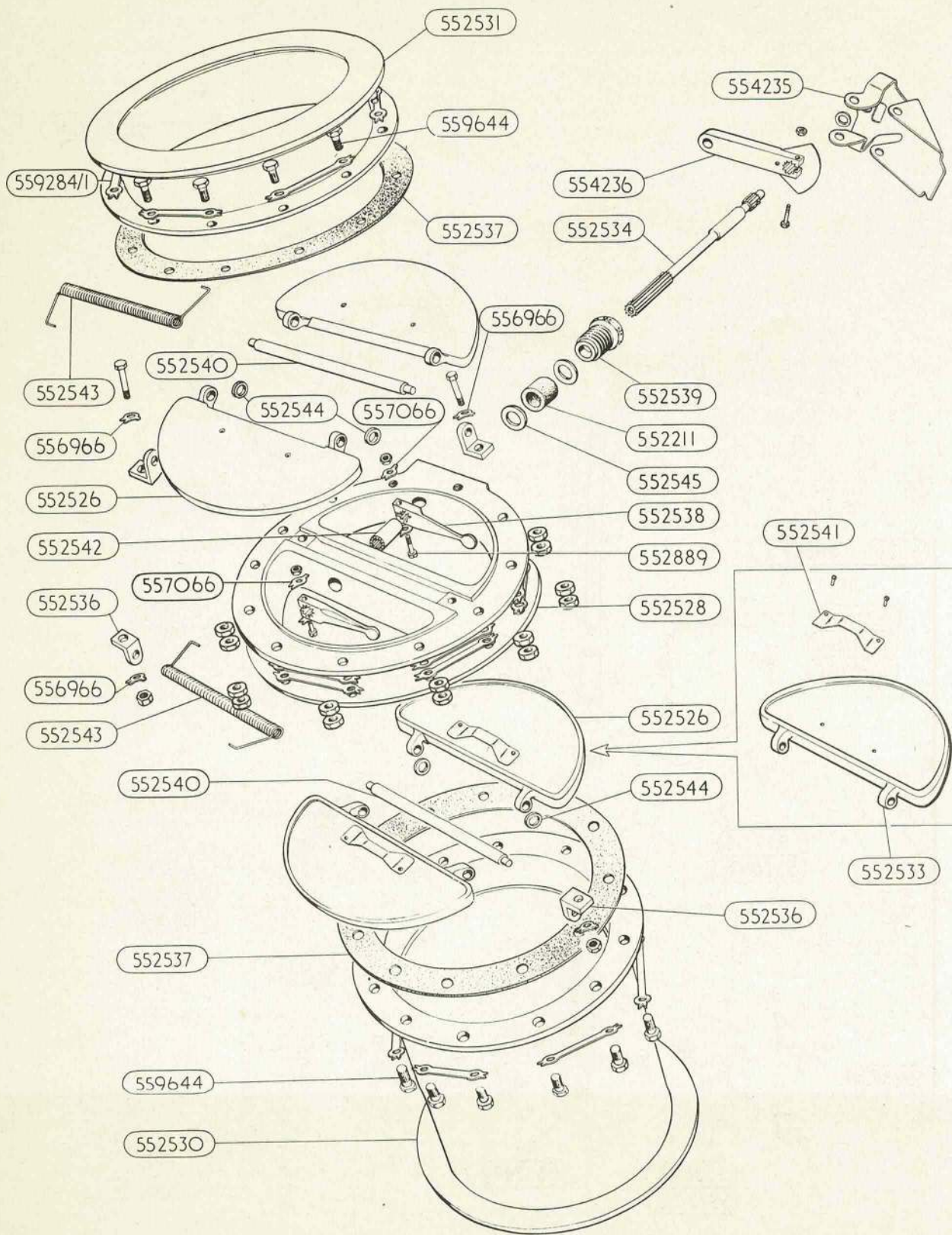
VALVE, NON-RETURN



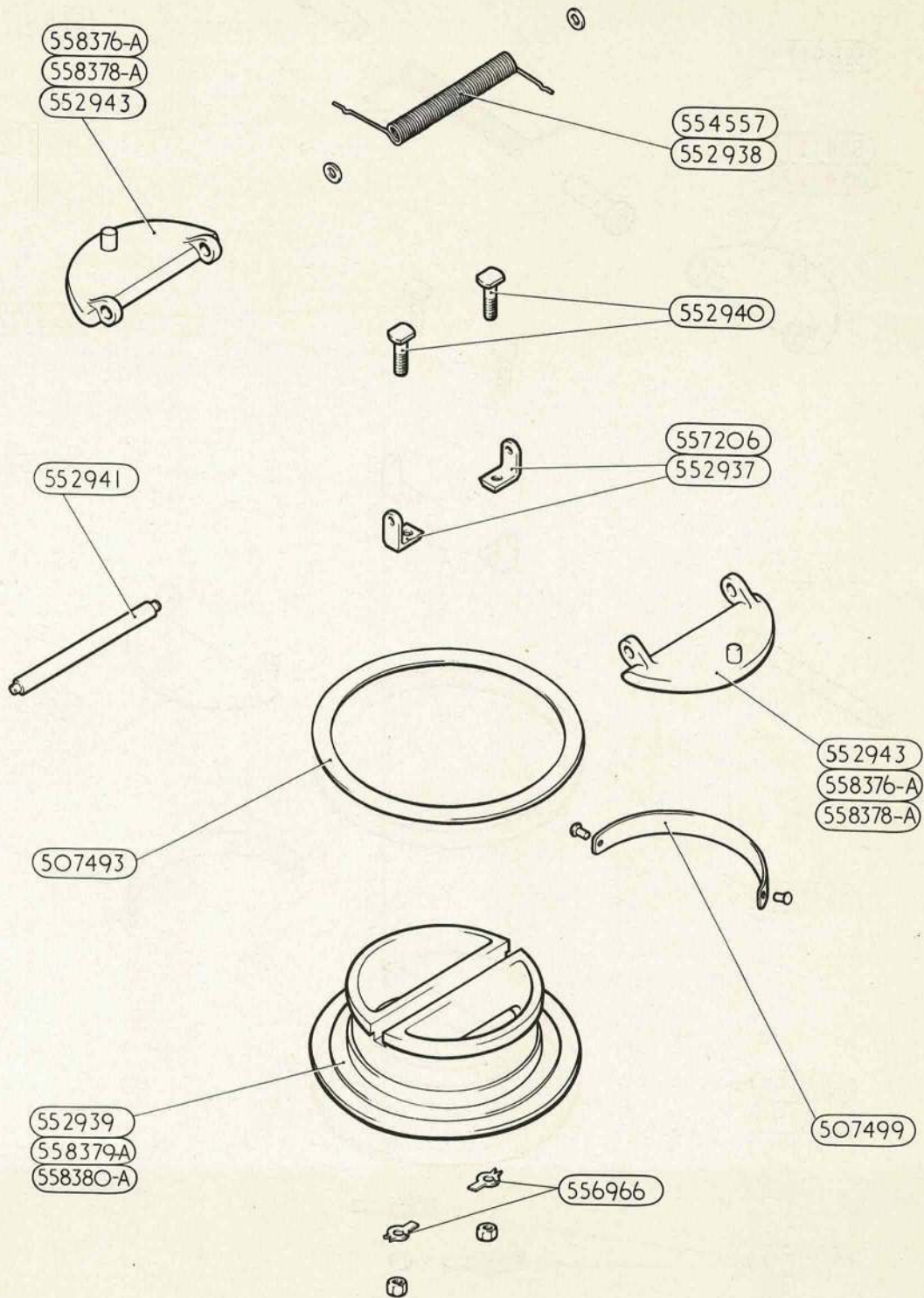
VALVE, NON RETURN

ISSUED WITH AL.8.

PLATE MI4

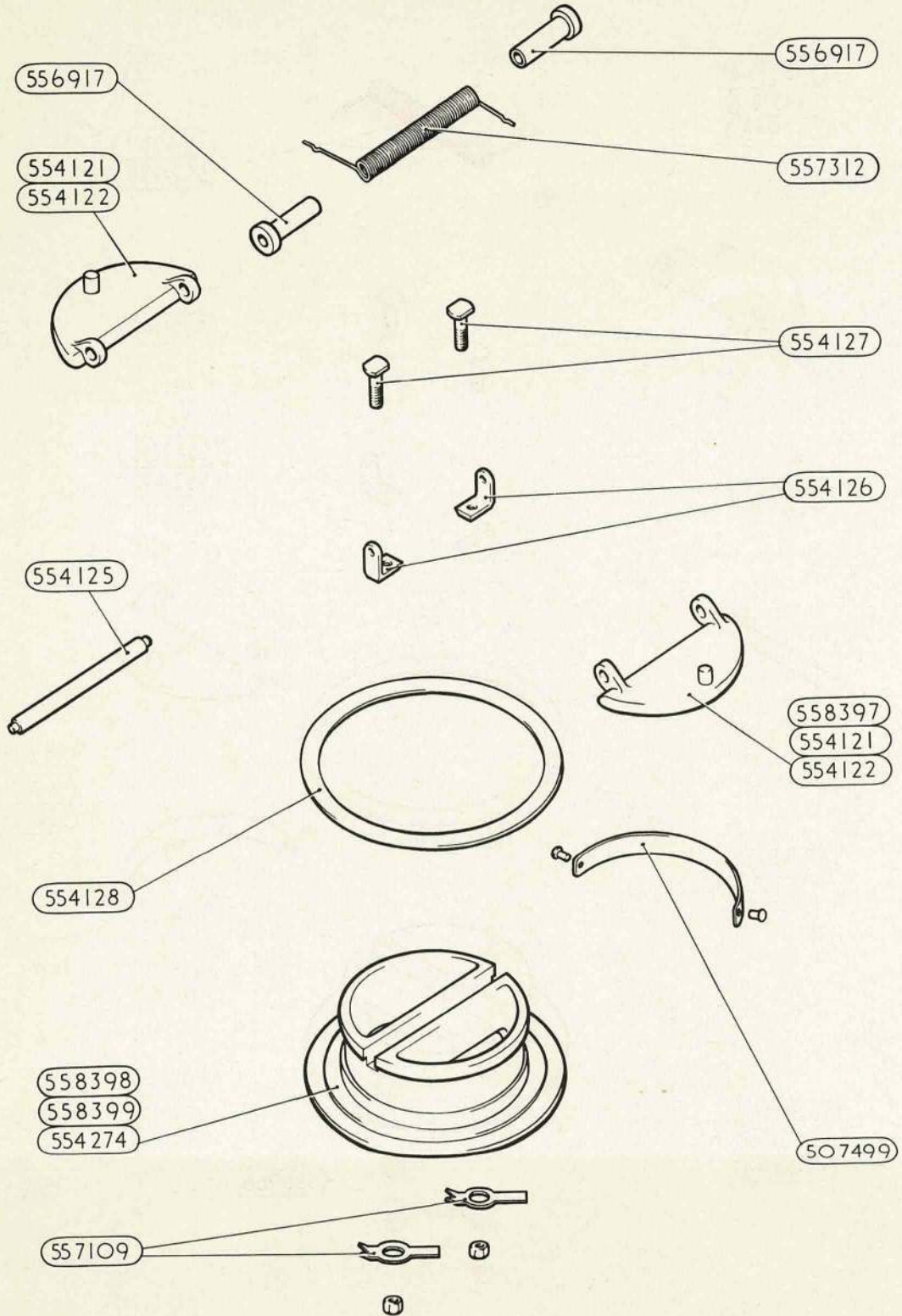


VALVE, NON-RETURN

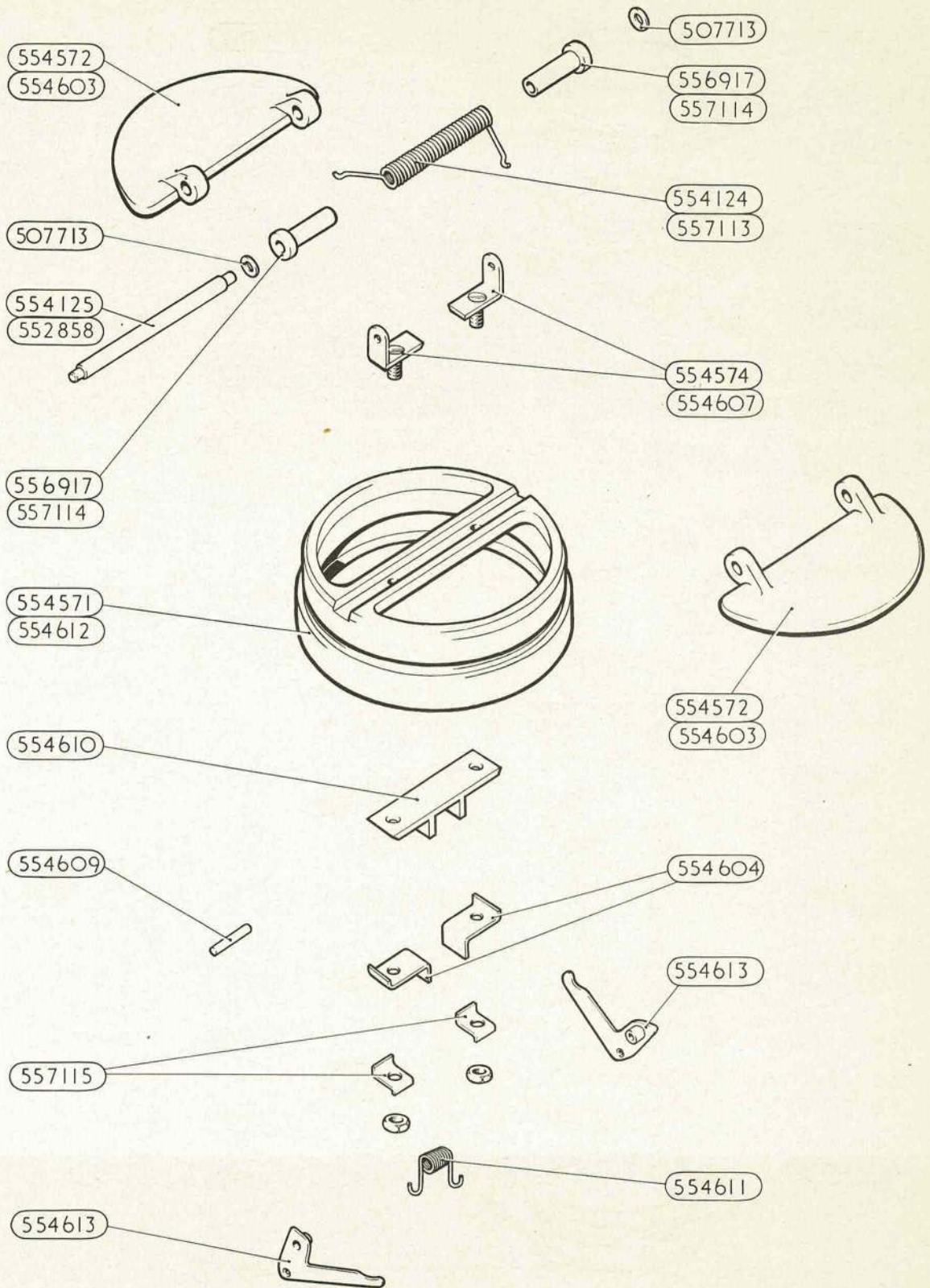


VALVE, NON - RETURN

PLATE. M.16



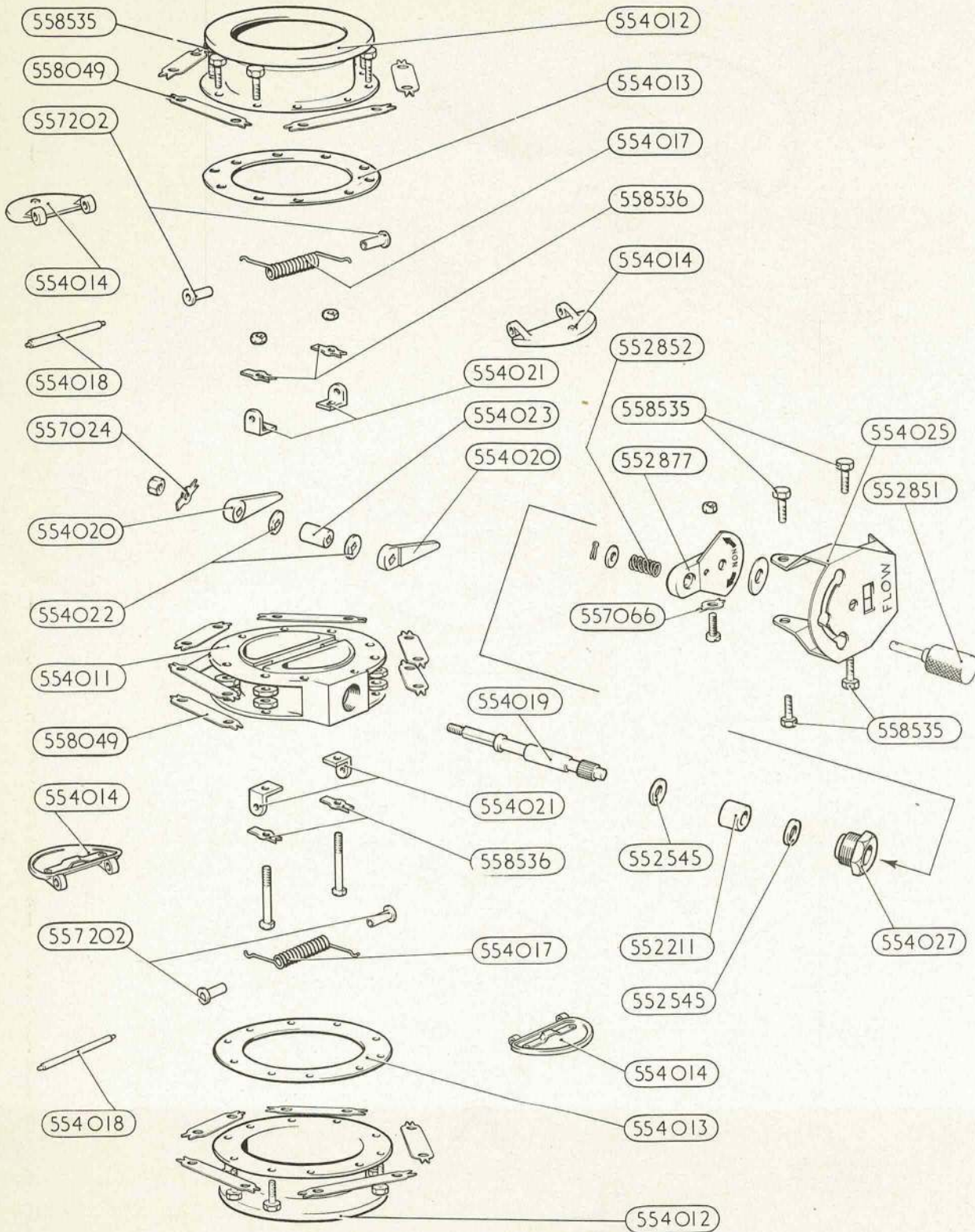
VALVE. NON RETURN



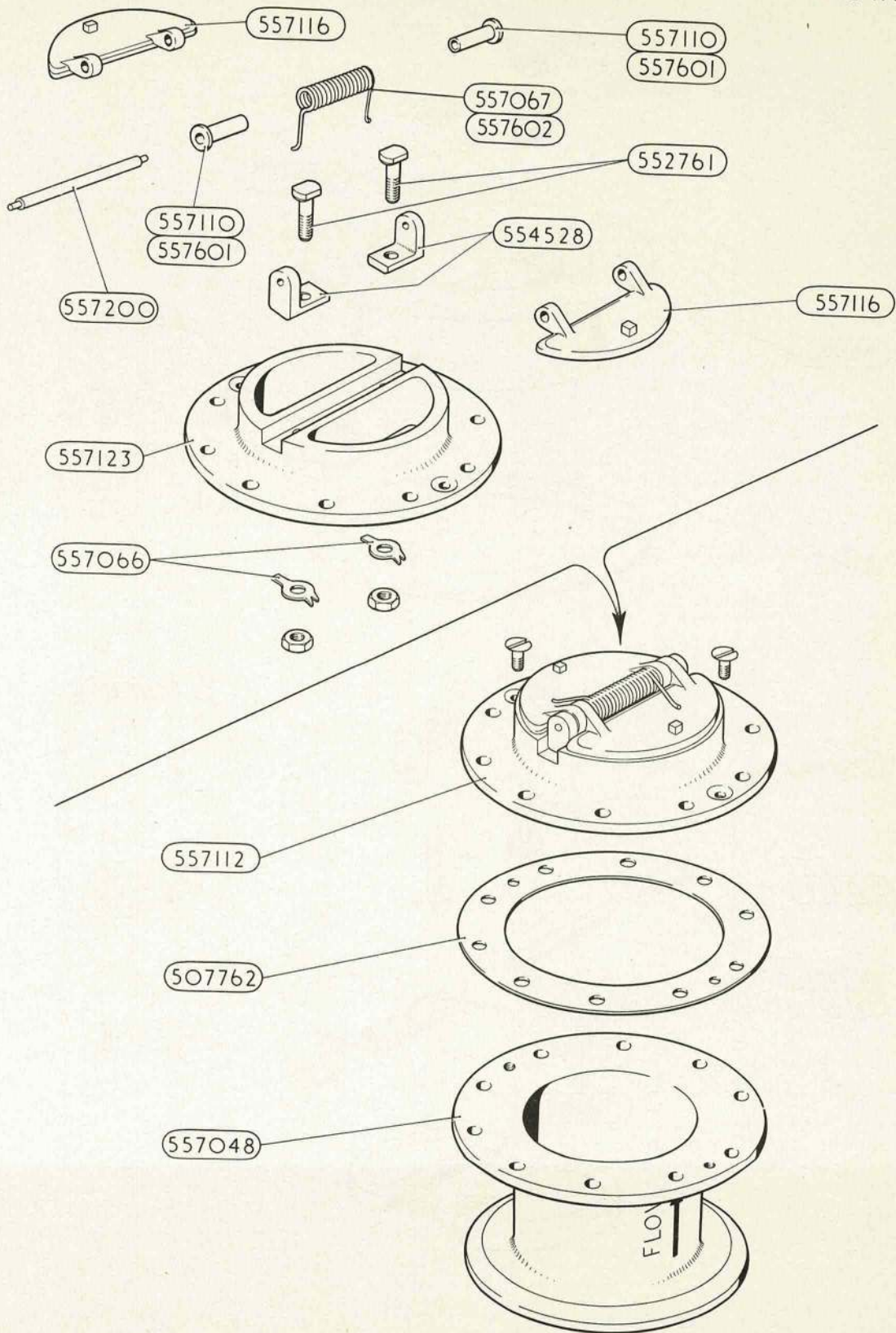
VALVE, NON RETURN

ISSUED WITH AL8.

PLATE M18

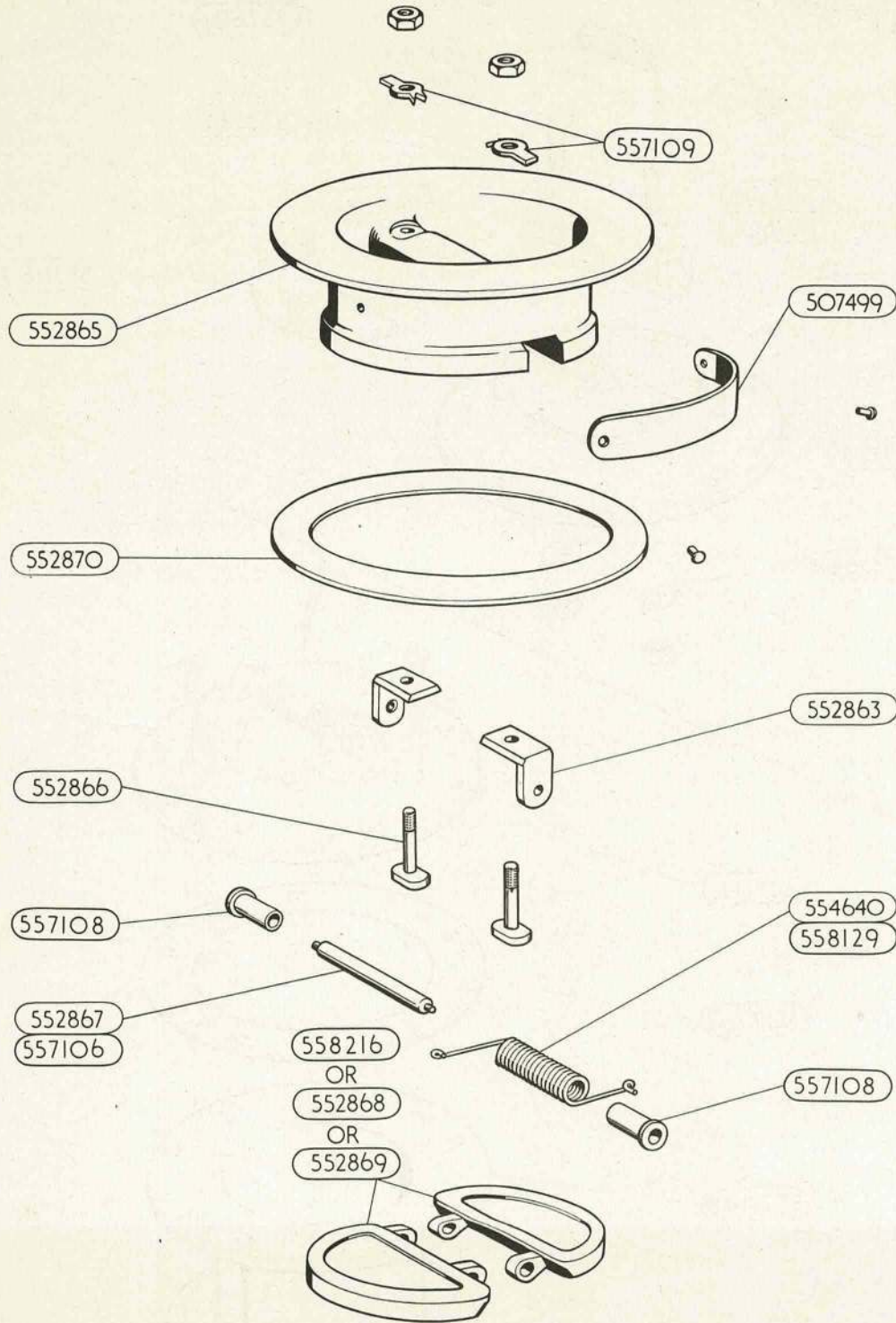


VALVE, NON RETURN.

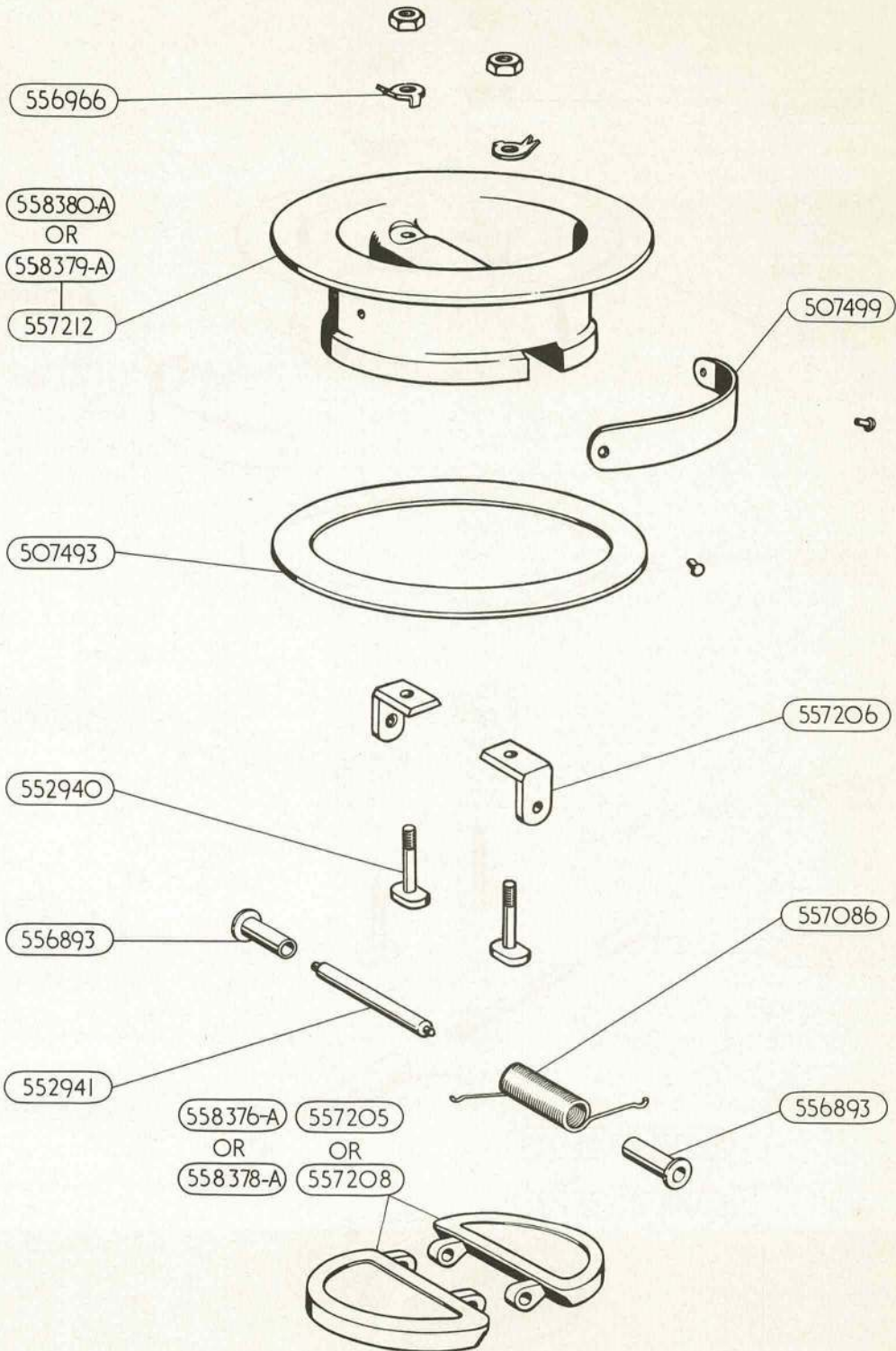


VALVE, NON-RETURN

PLATE M.20

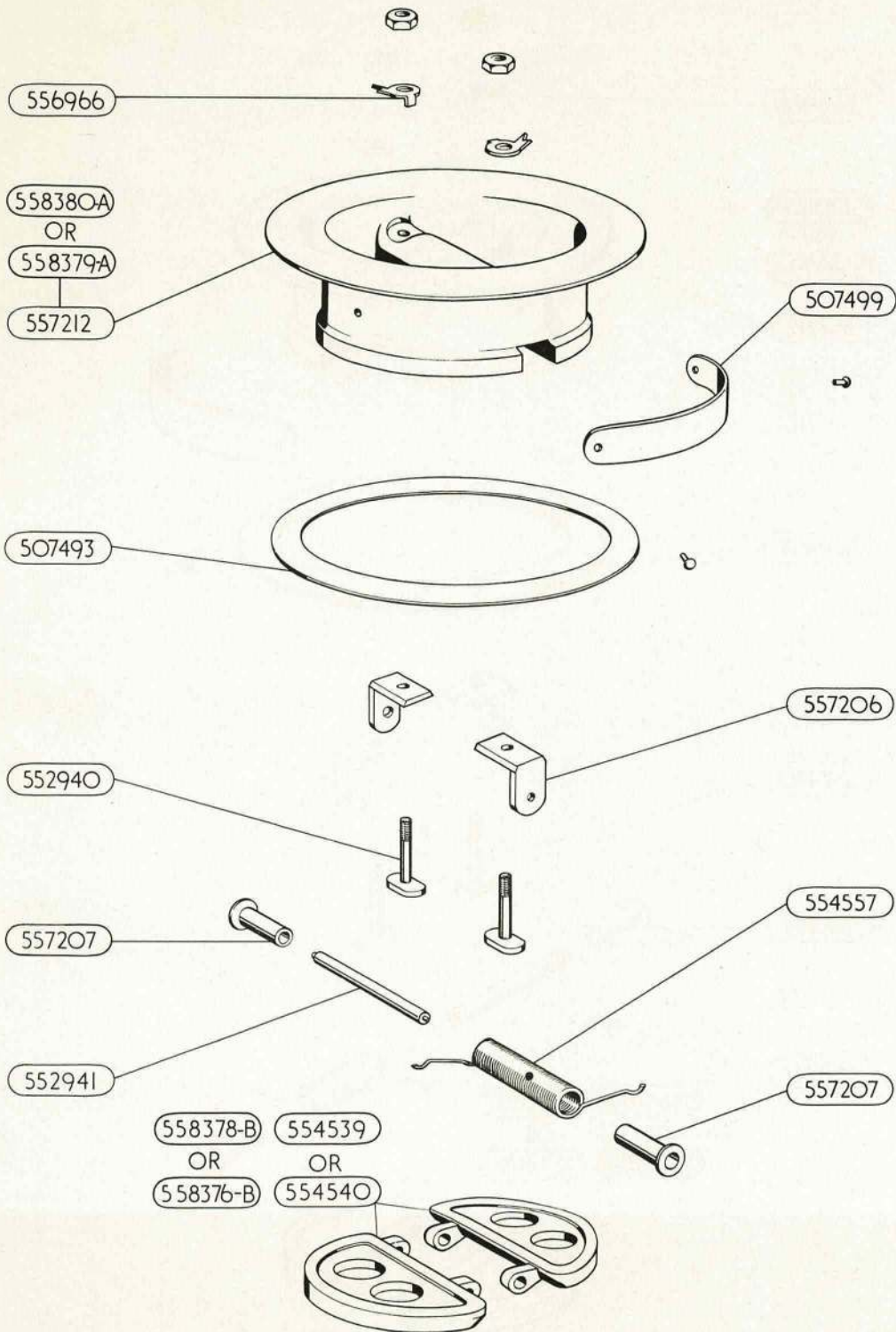


VALVE, NON RETURN

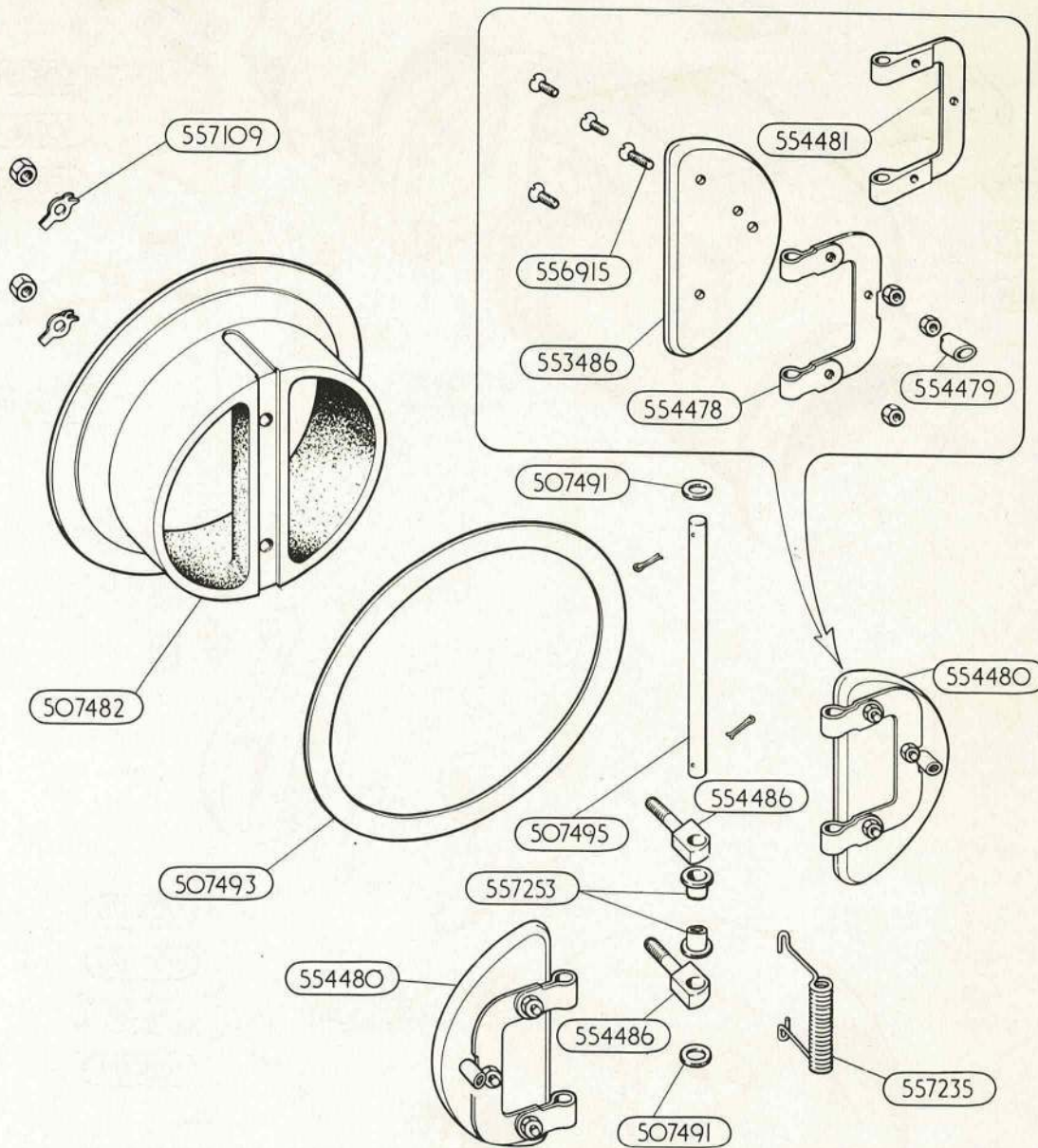


VALVE, NON RETURN

PLATE M.22

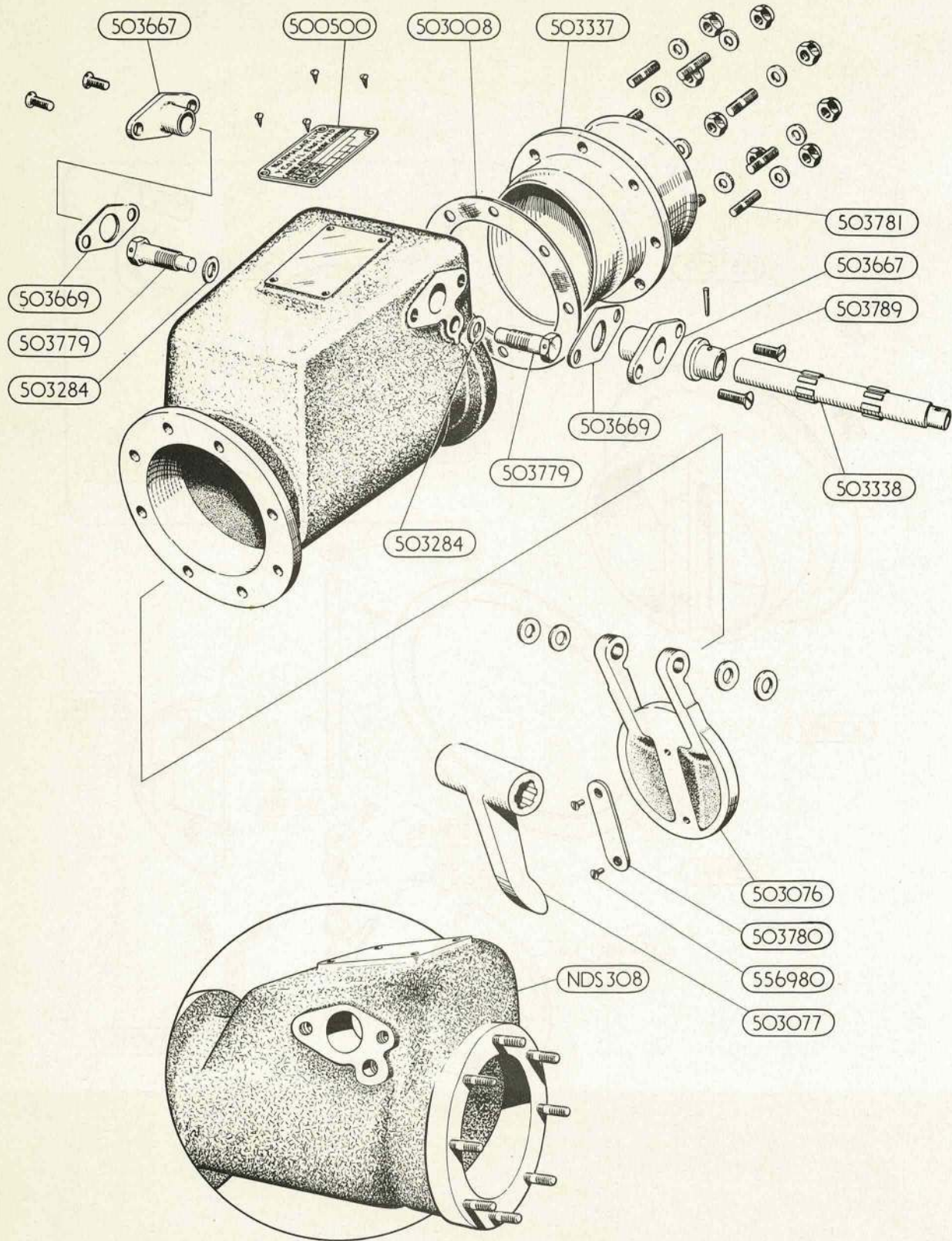


VALVE, NON RETURN.

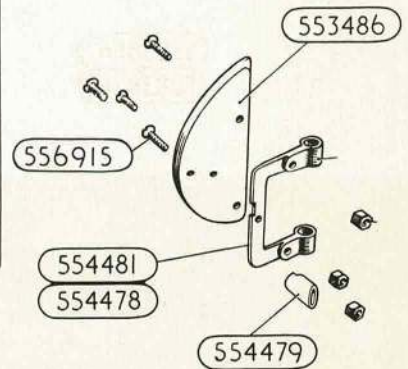
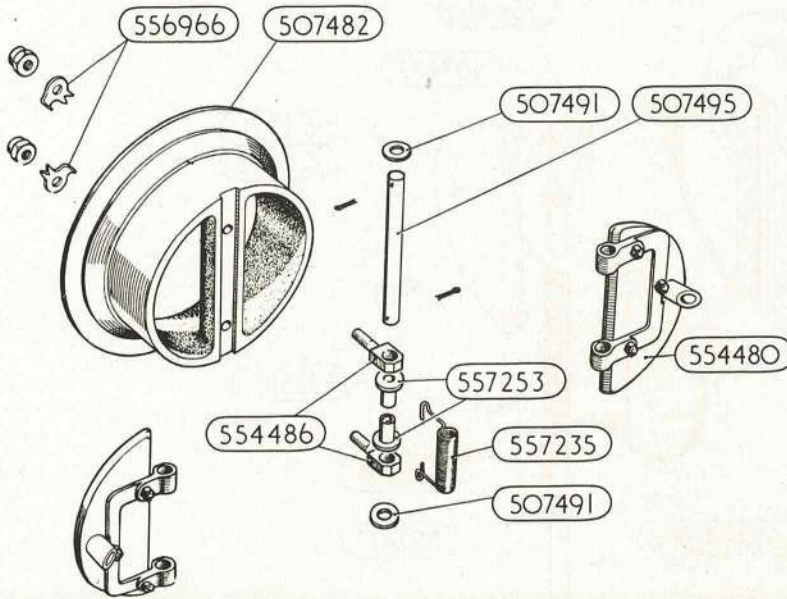
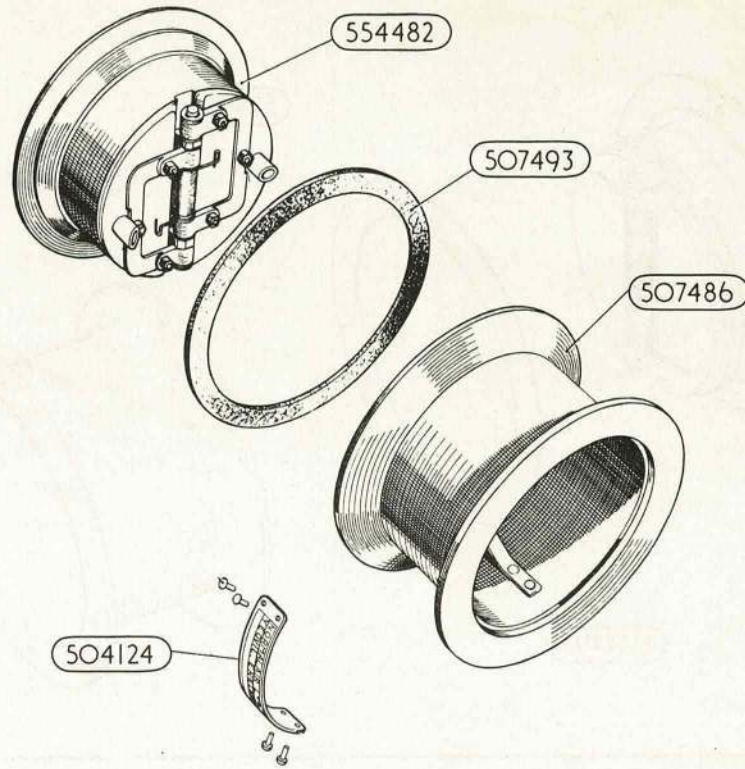


VALVE, NON RETURN.

PLATE M 24.

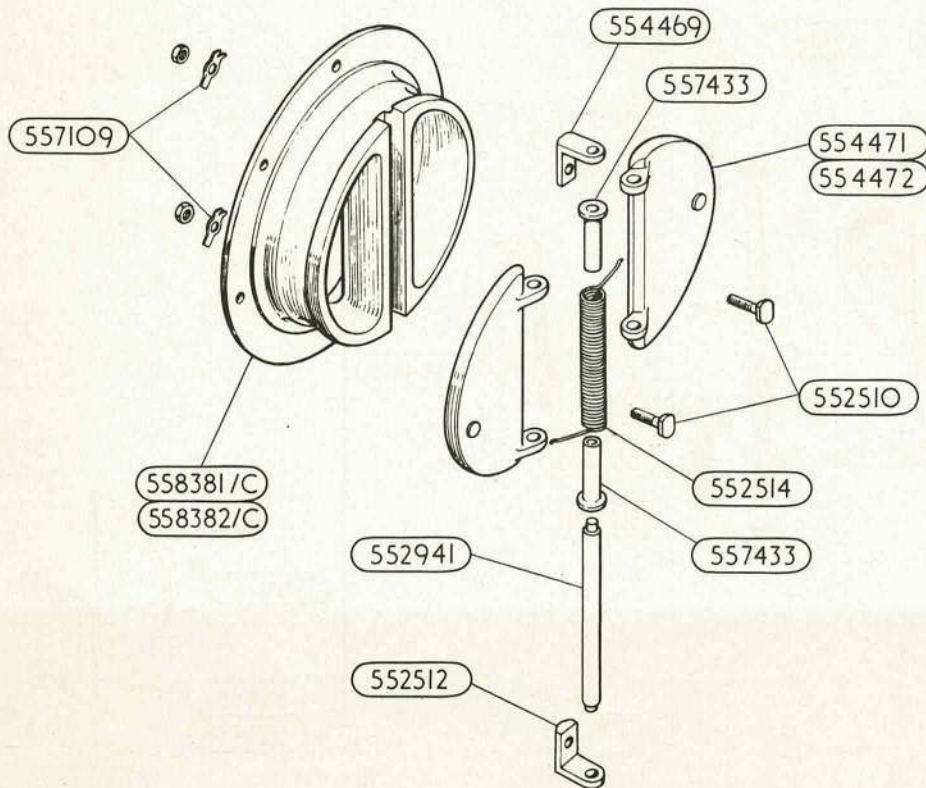
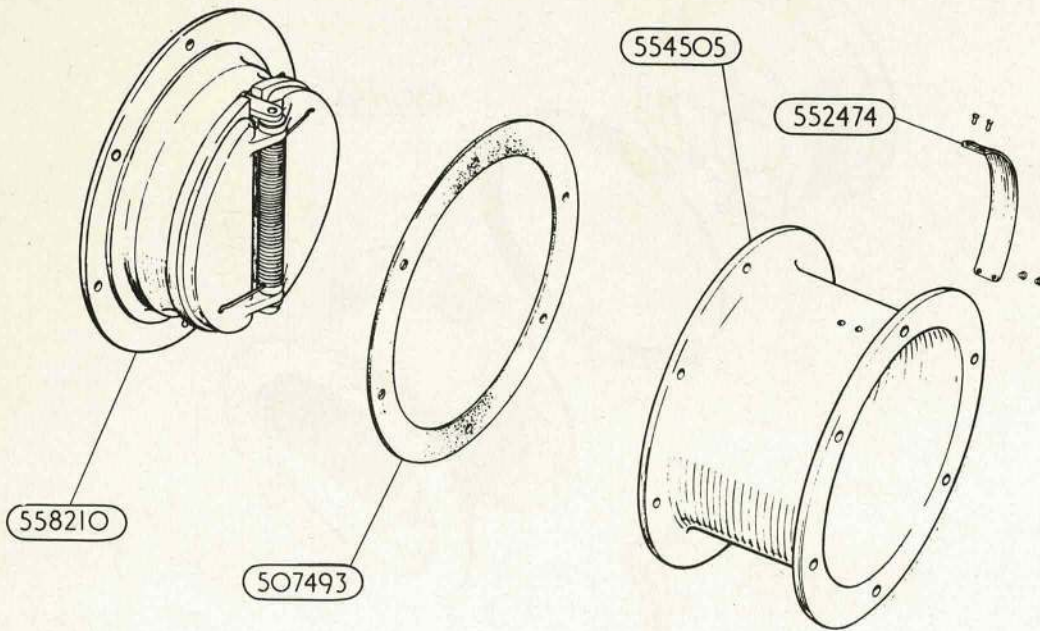


VALVE, NON RETURN.



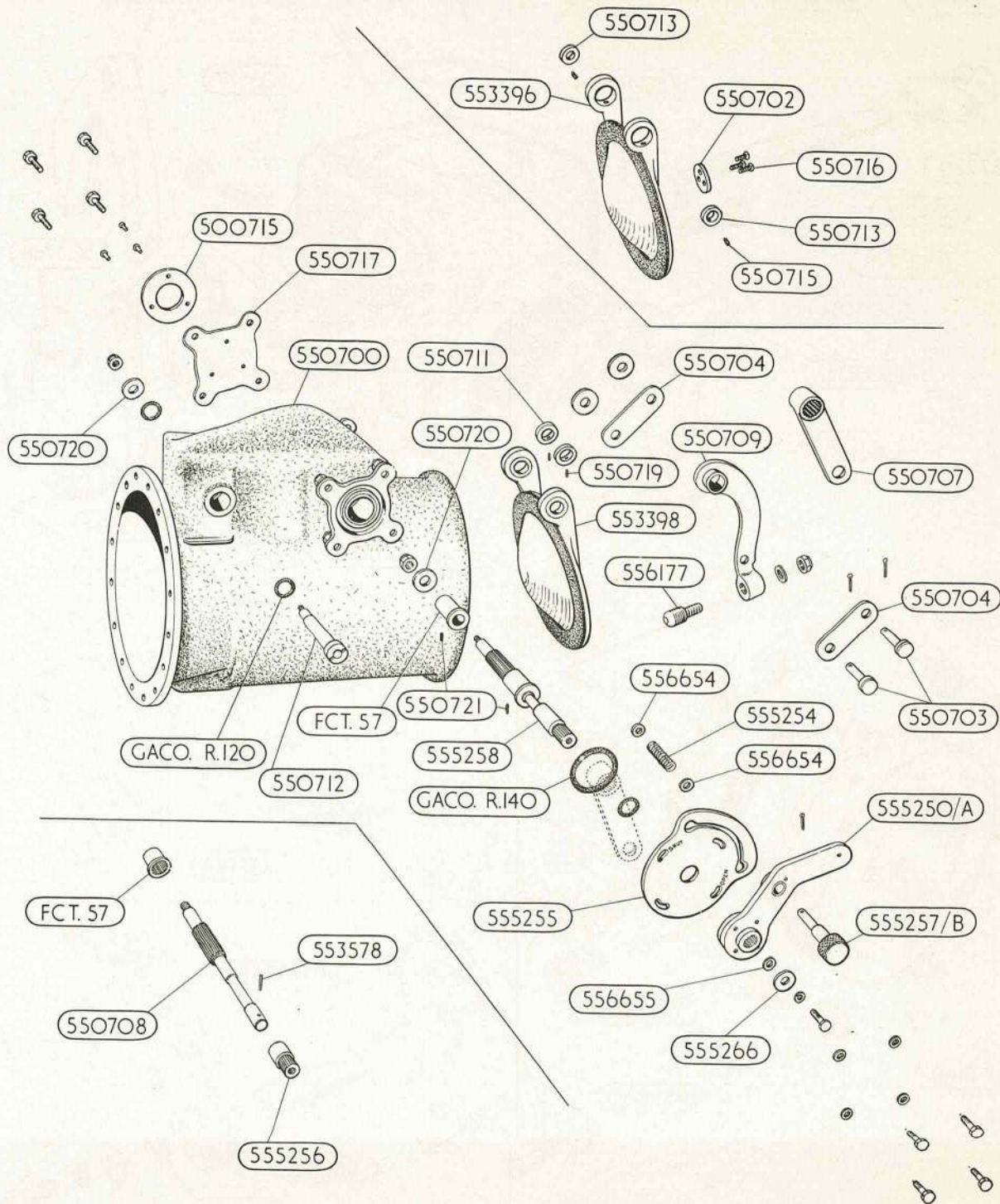
VALVE, NON RETURN.

PLATE. M26.



VALVE, NON RETURN.

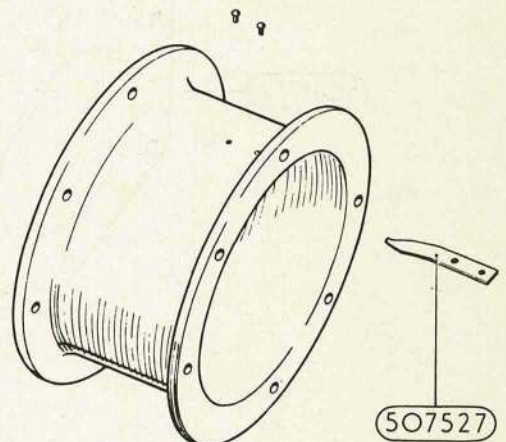
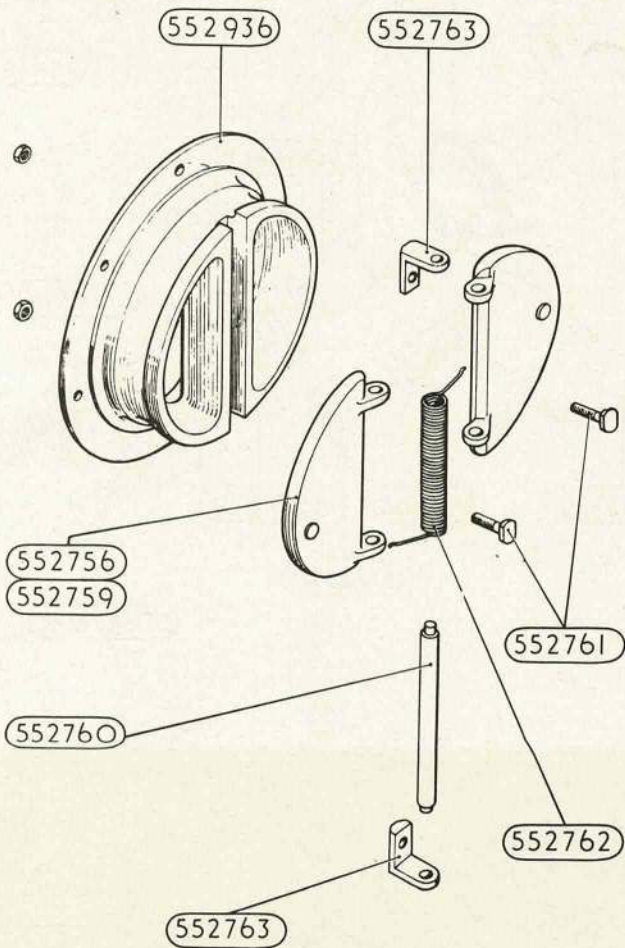
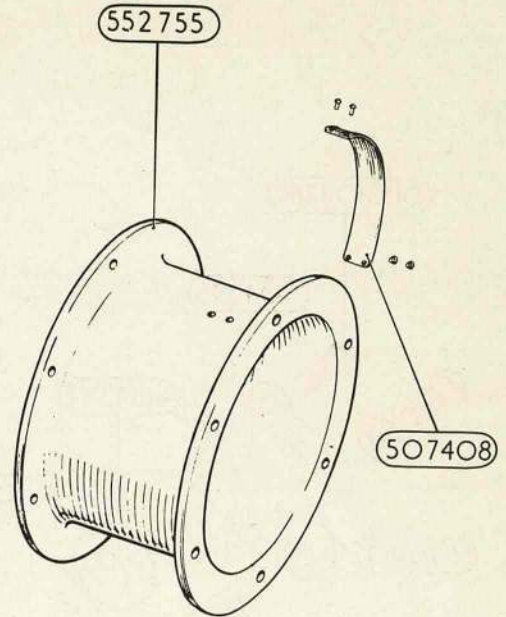
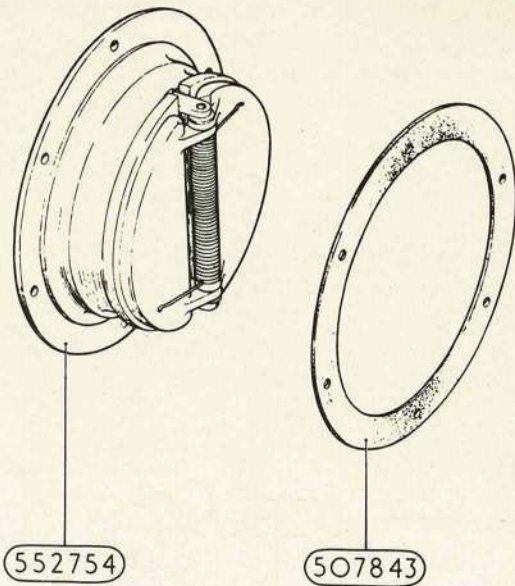
PLATE M27



VALVE, NON RETURN

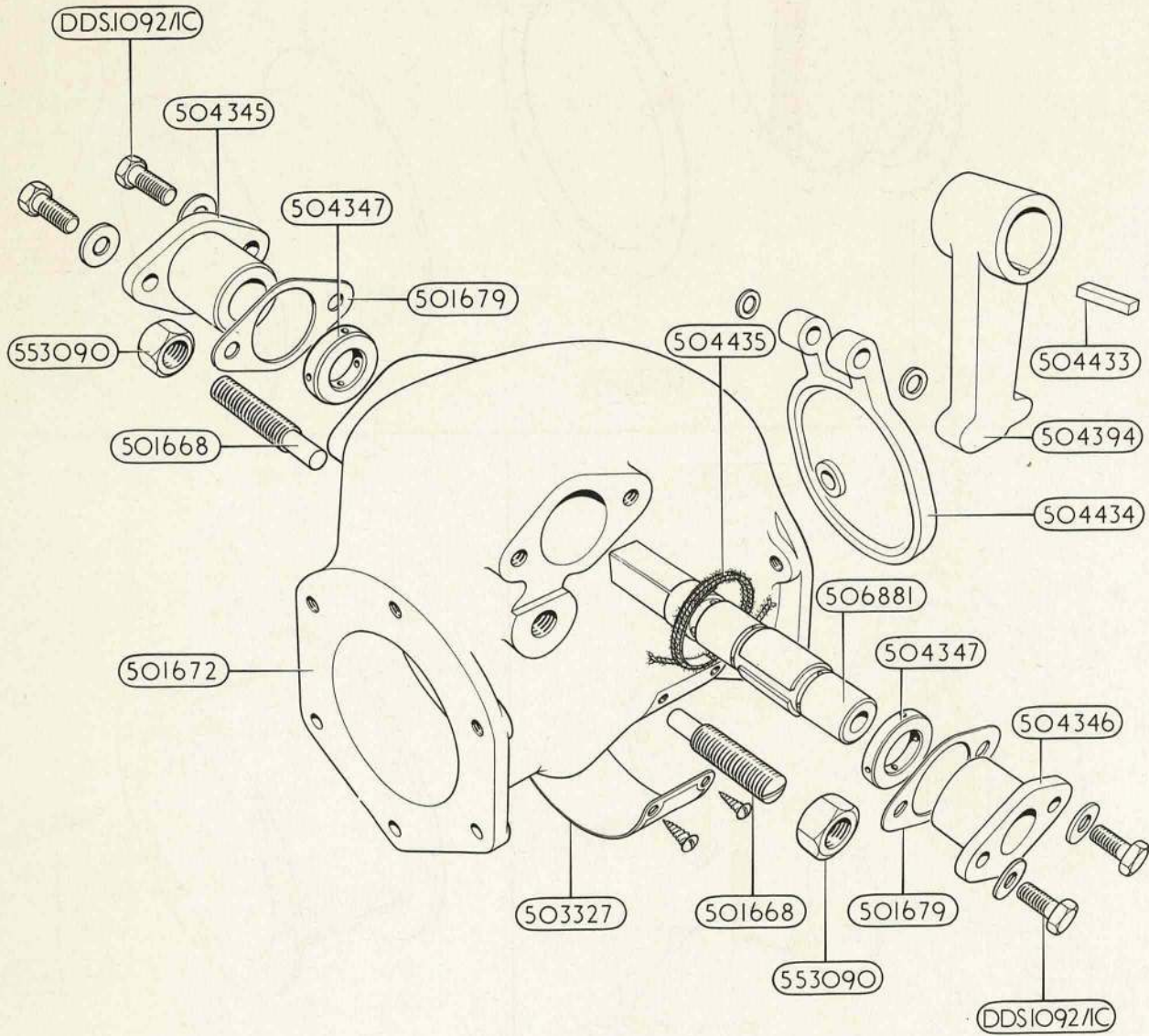


M 29



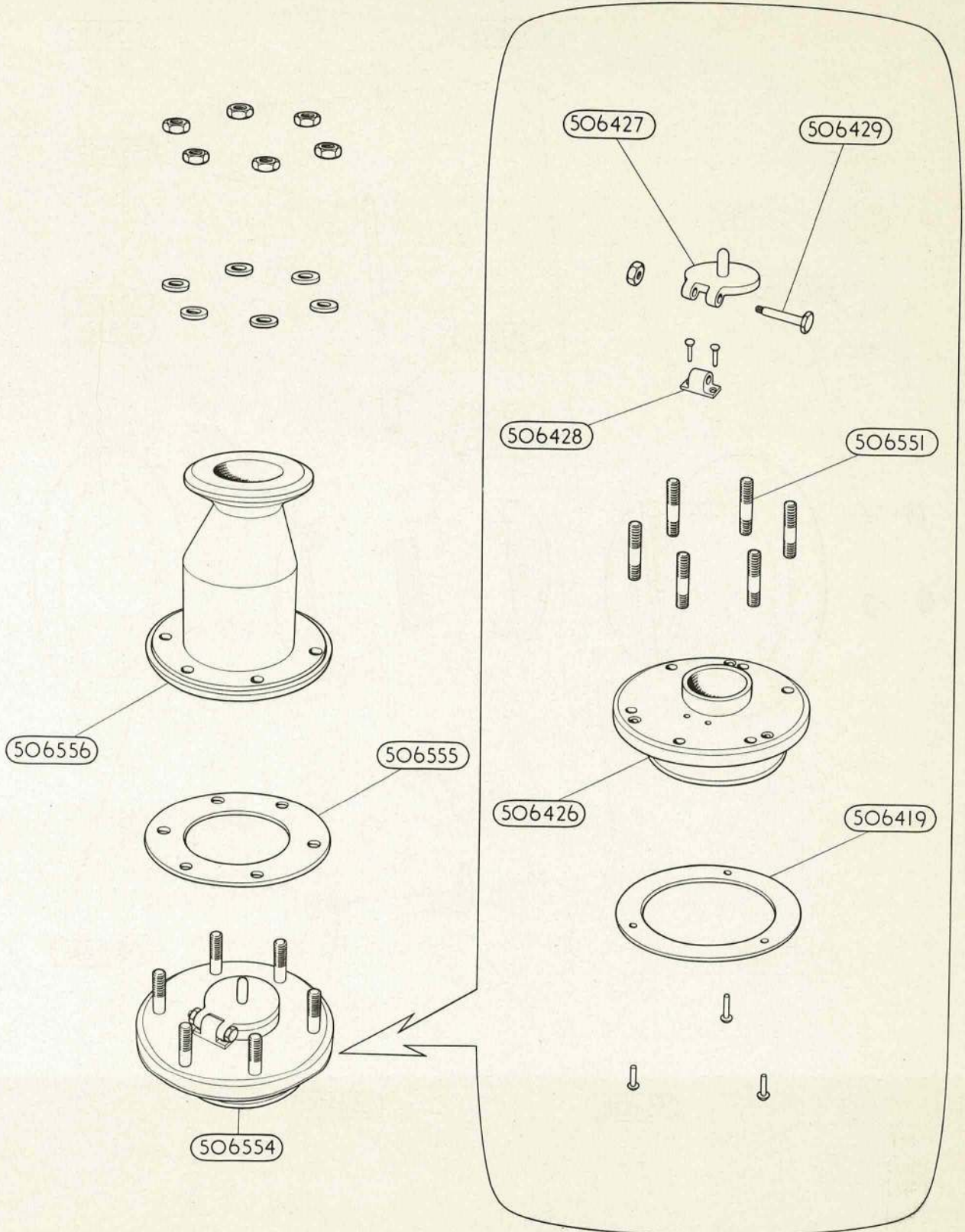
VALVE, NON RETURN

M30



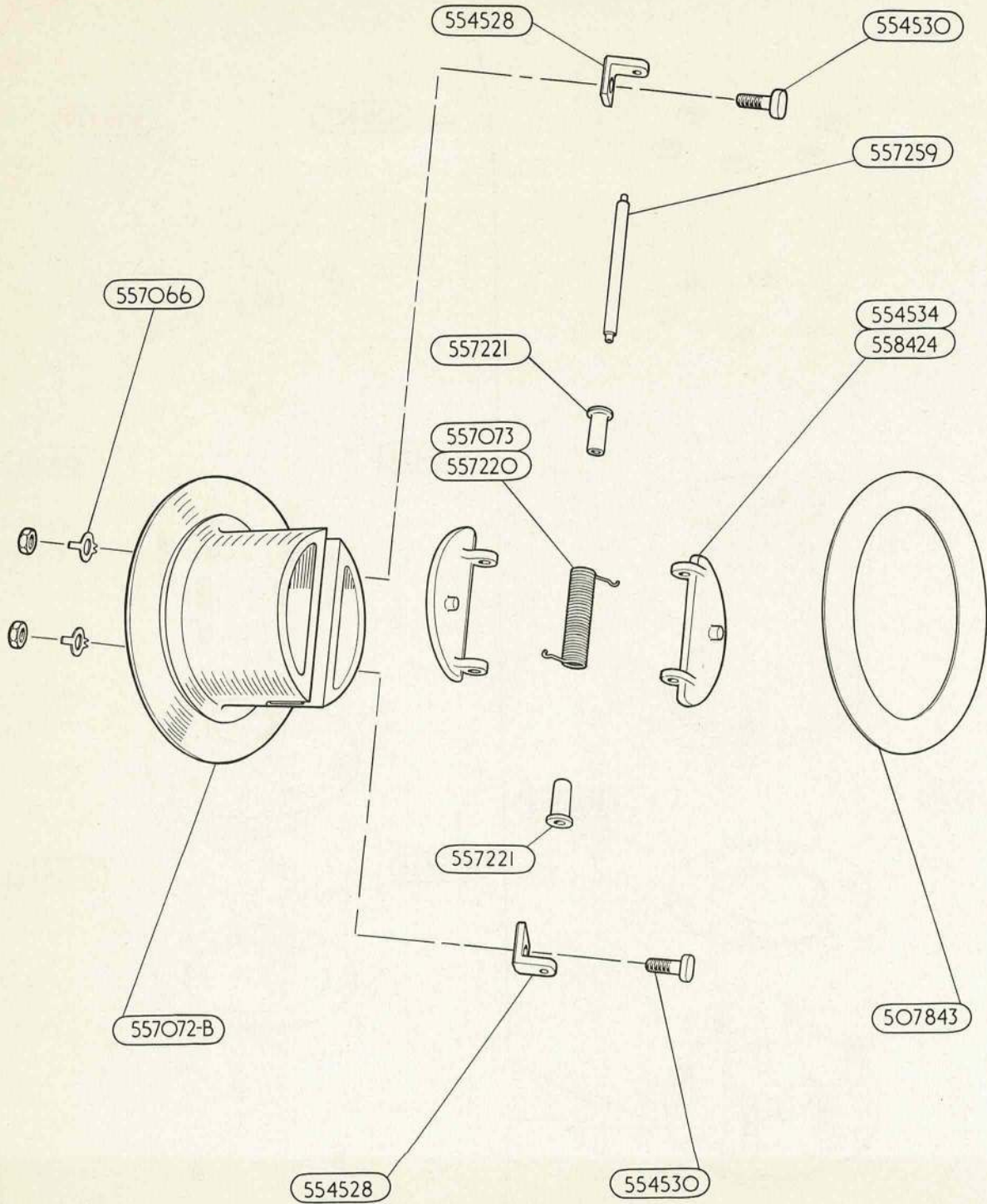
VALVE, NON RETURN.

M31

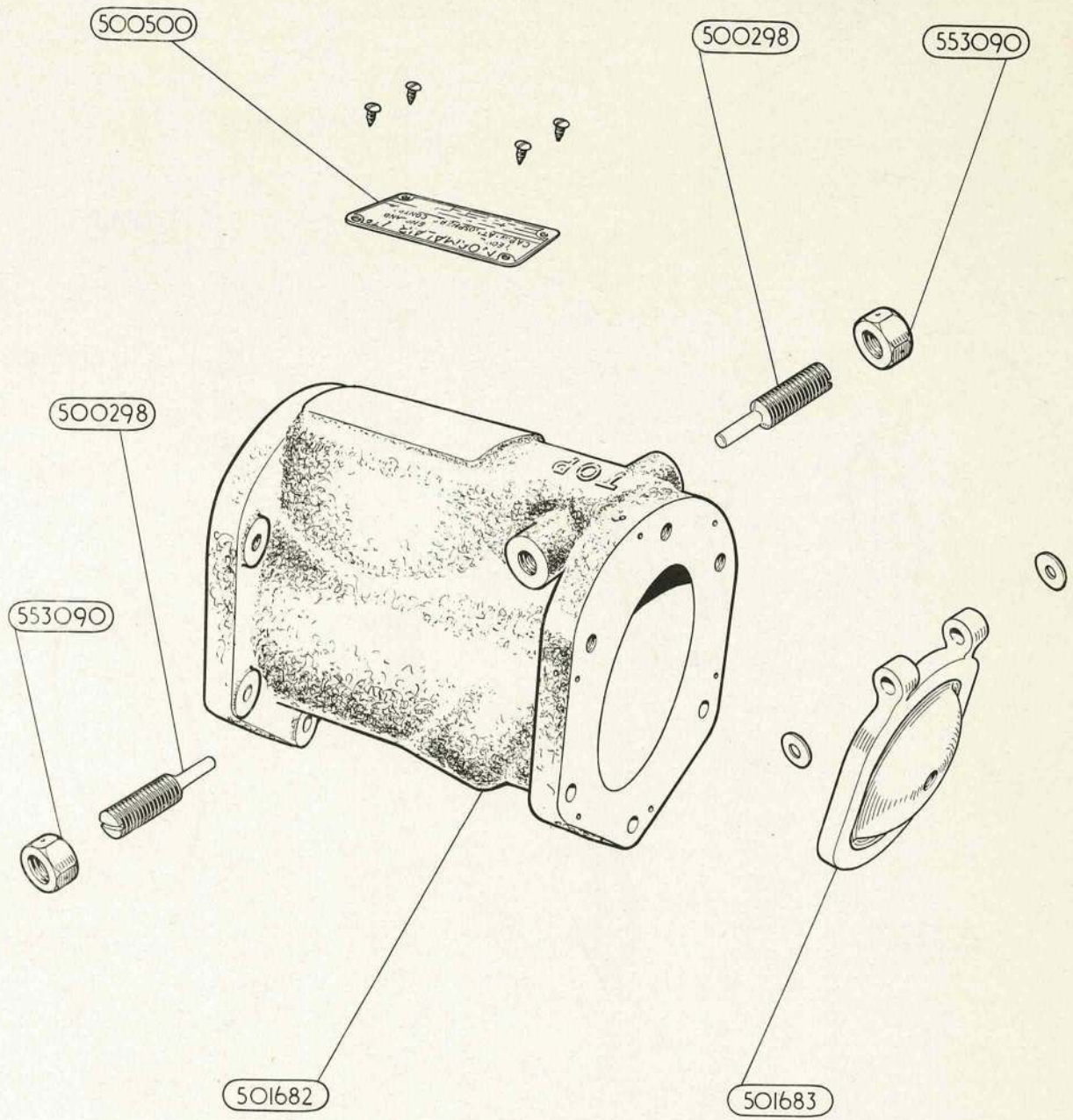


VALVE NON RETURN

ISSUED WITH AL5  
PLATE M.32



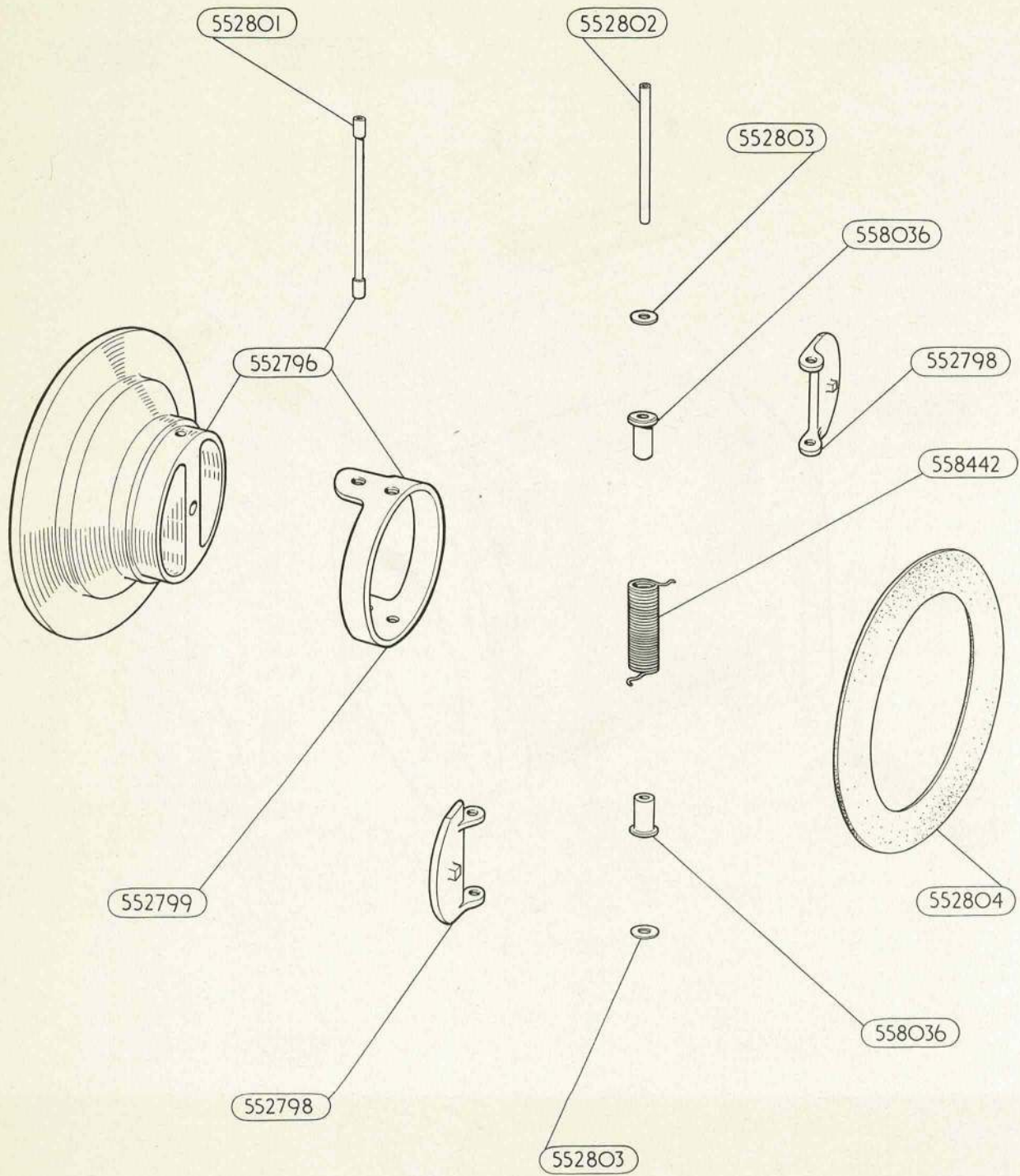
VALVE, NON-RETURN.



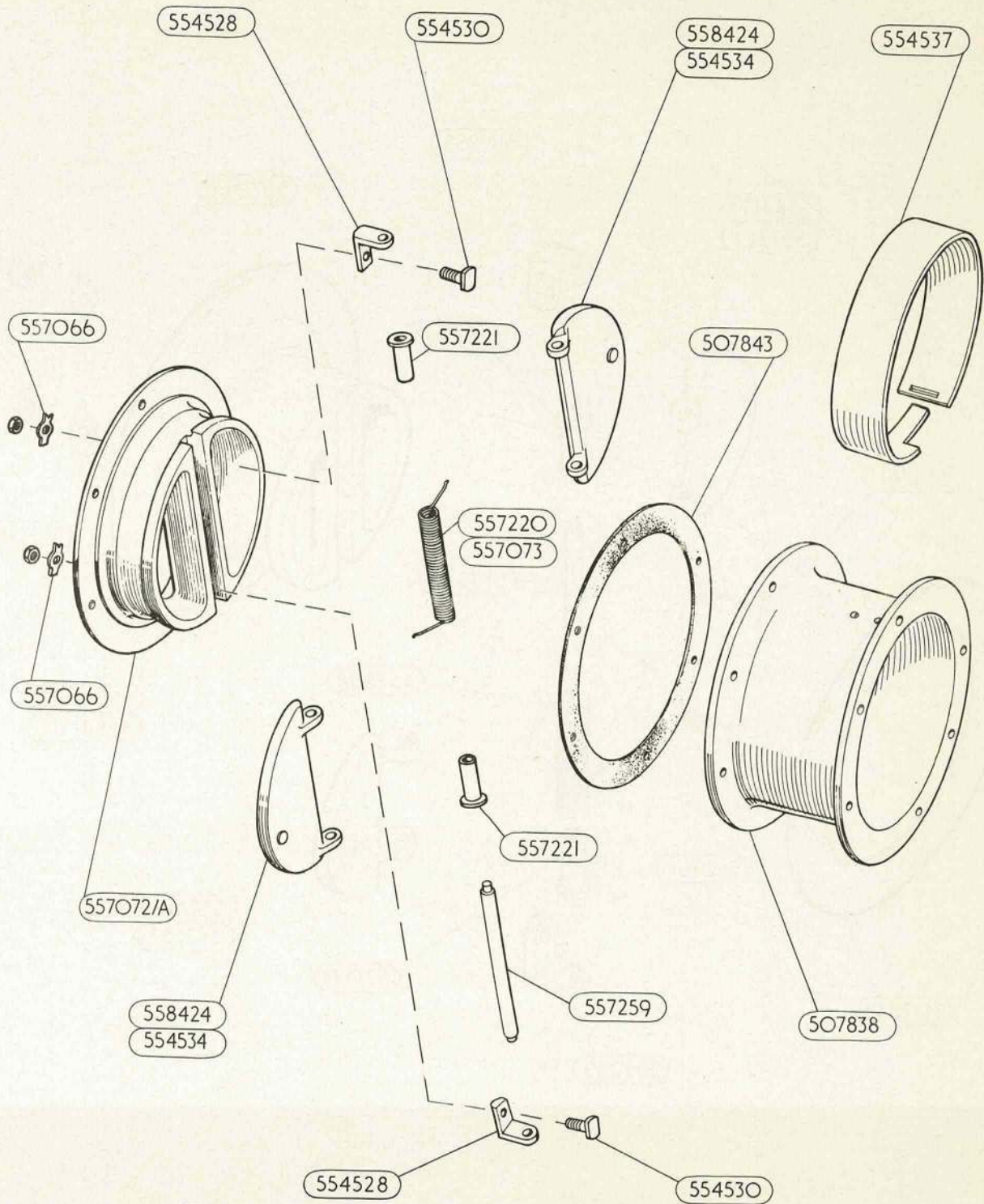
VALVE, NON-RETURN.

ISSUED WITH AL5

PLATE M34



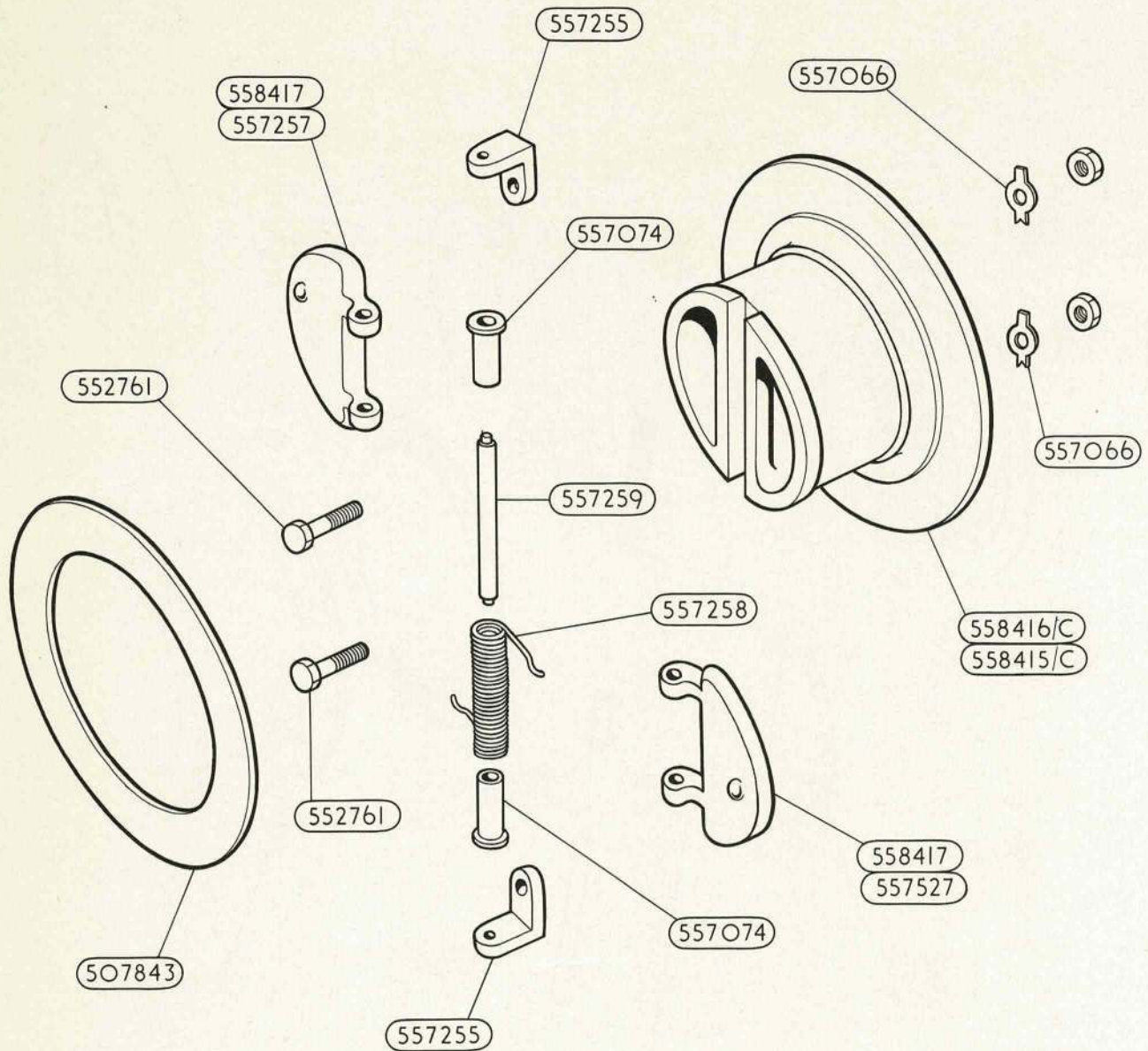
VALVE, NON-RETURN.



VALVE, NON-RETURN.

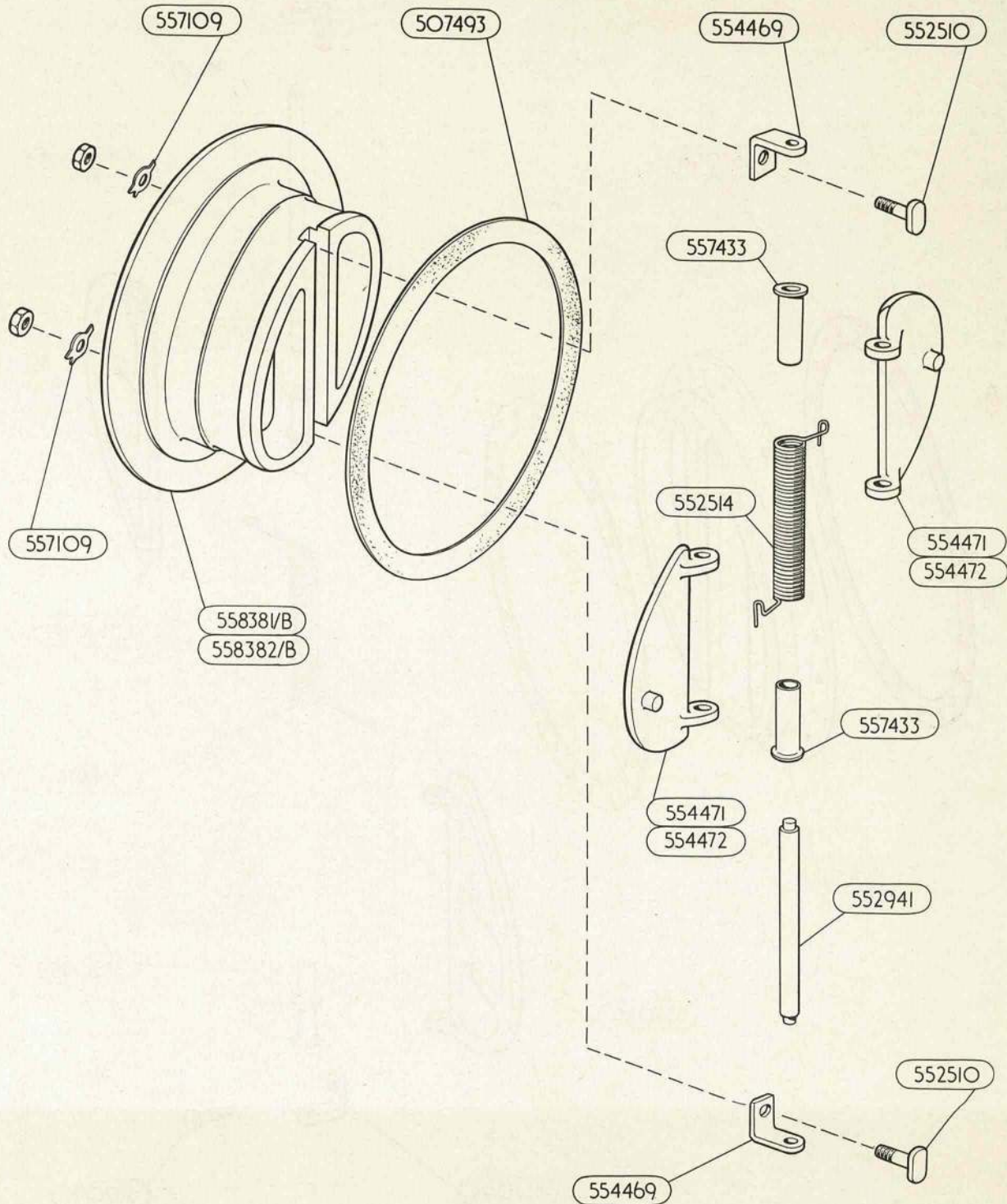
RESTRICTED

ISSUED WITH A.L.5  
PLATE M.36



VALVE, NON-RETURN

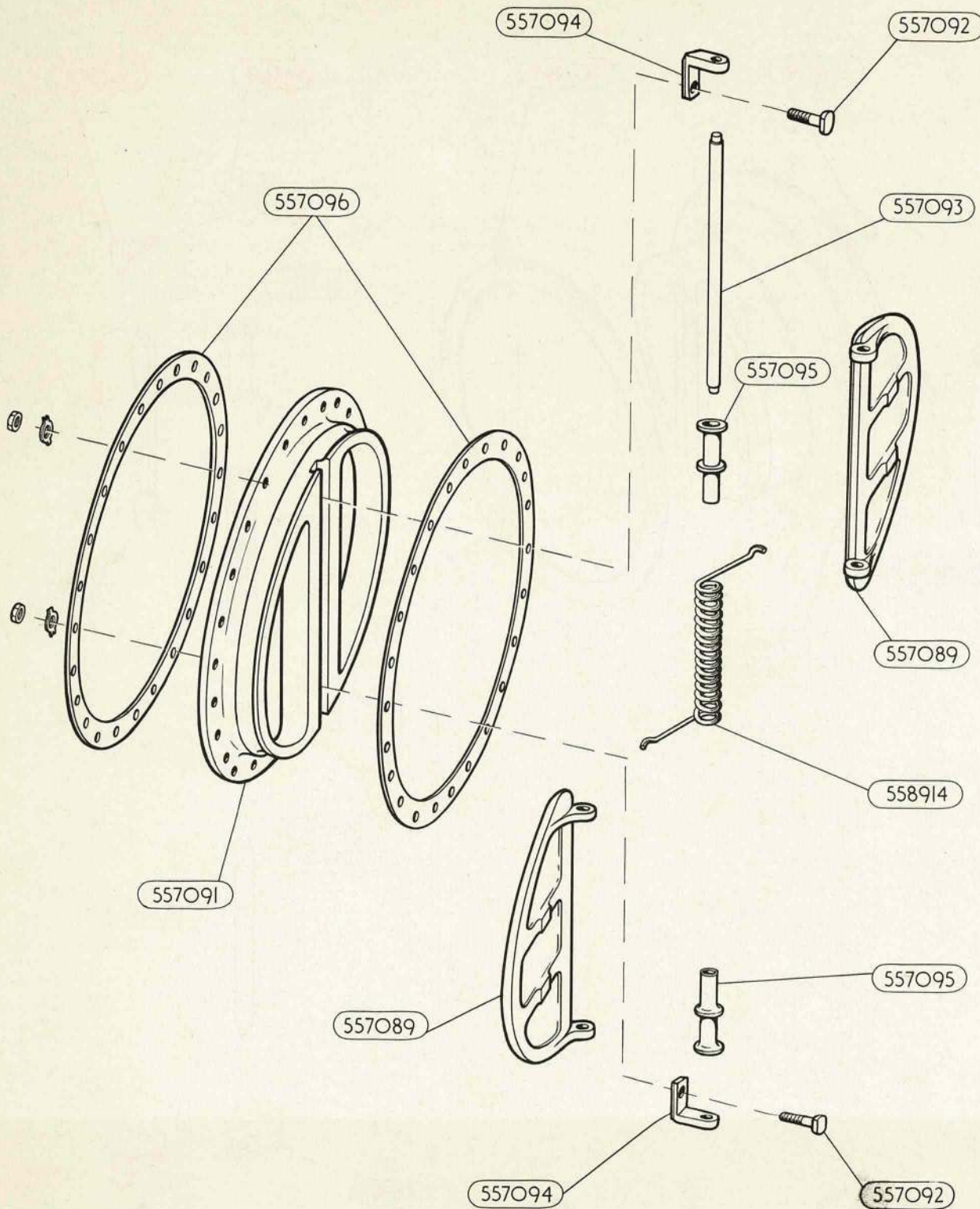
RESTRICTED



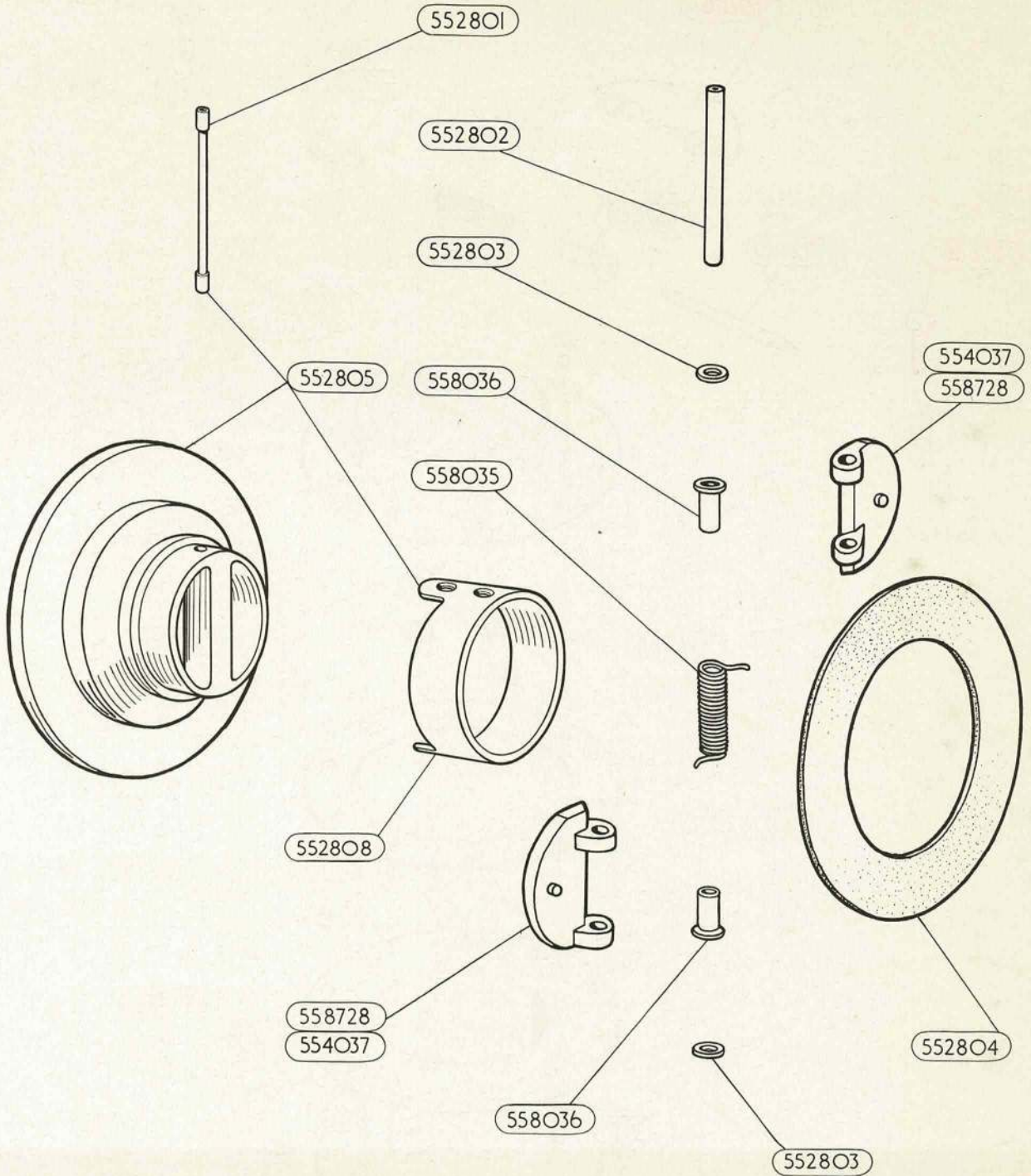
VALVE. NON-RETURN.

ISSUED WITH ALS

PLATE M38



VALVE, NON-RETURN.

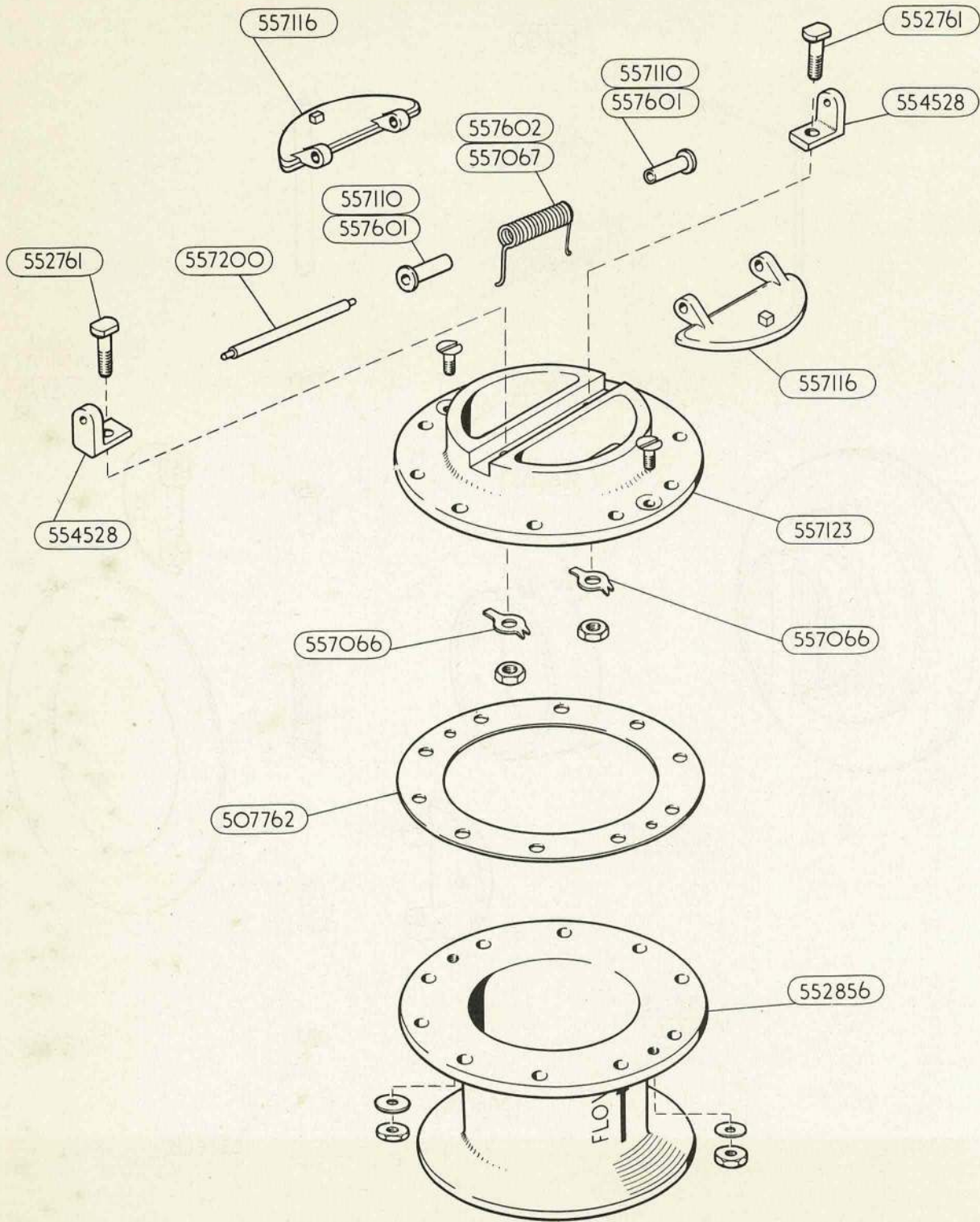


VALVE, NON-RETURN.

RESTRICTED

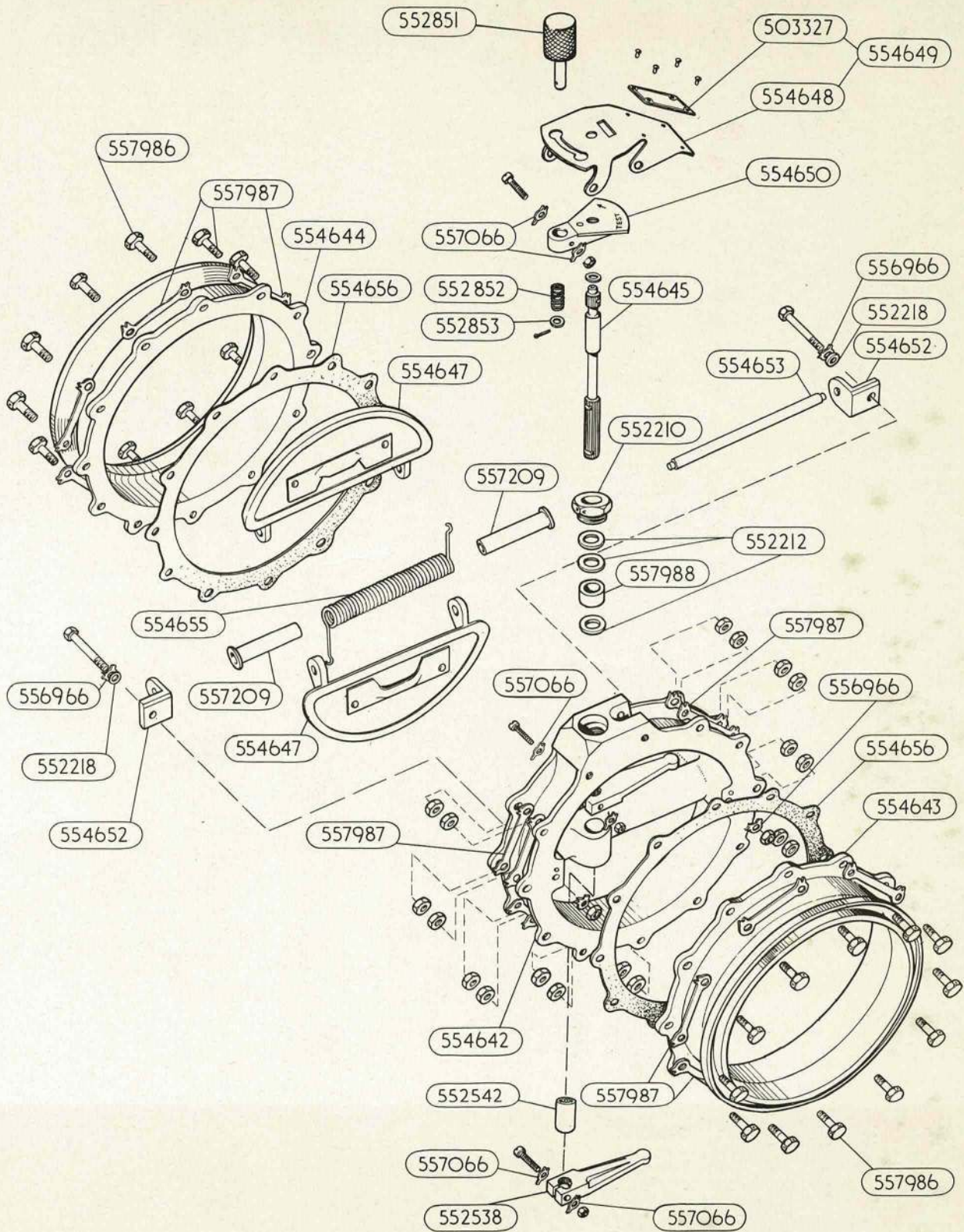
ISSUED WITH AL5

PLATE M40



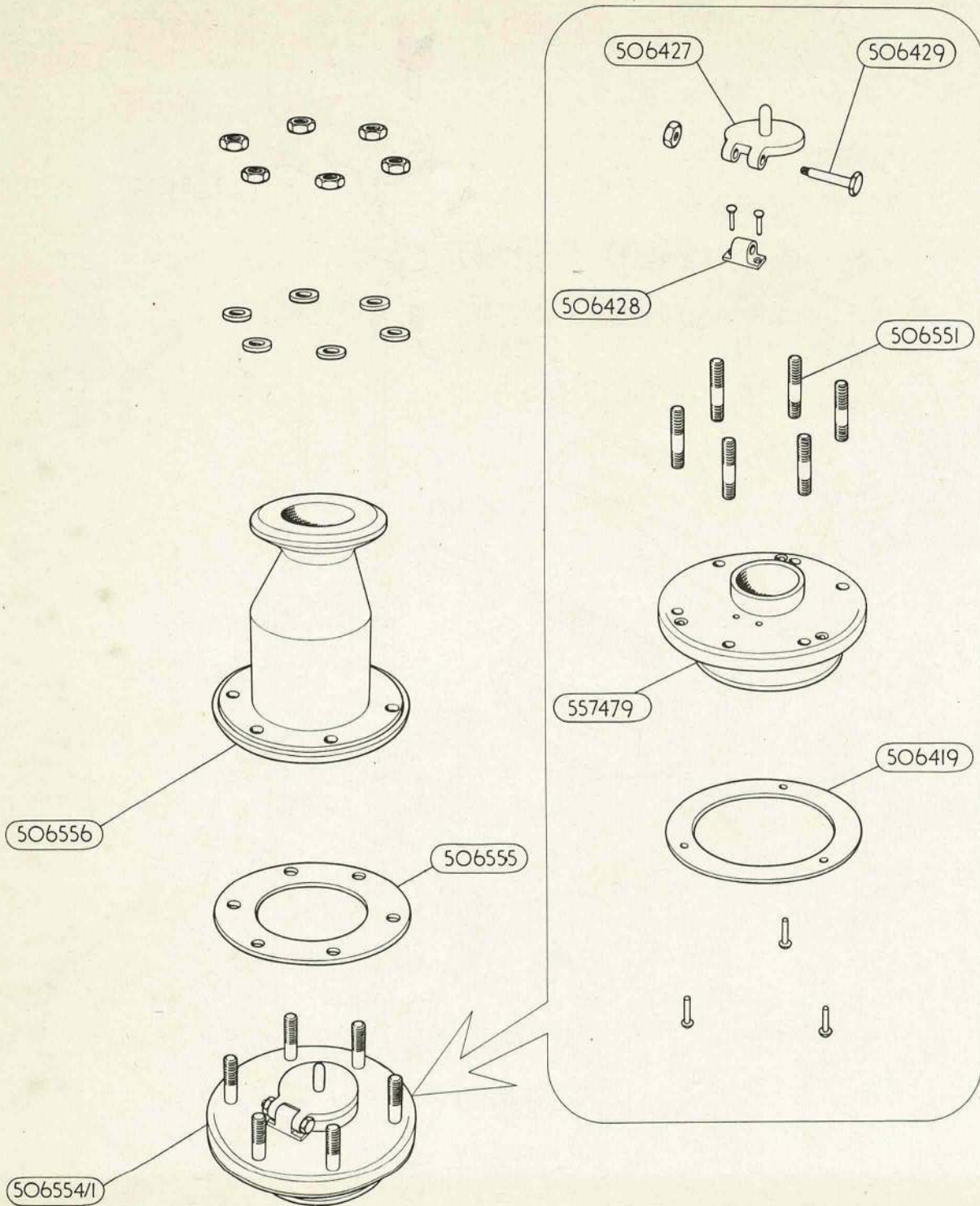
VALVE, NON-RETURN.

RESTRICTED

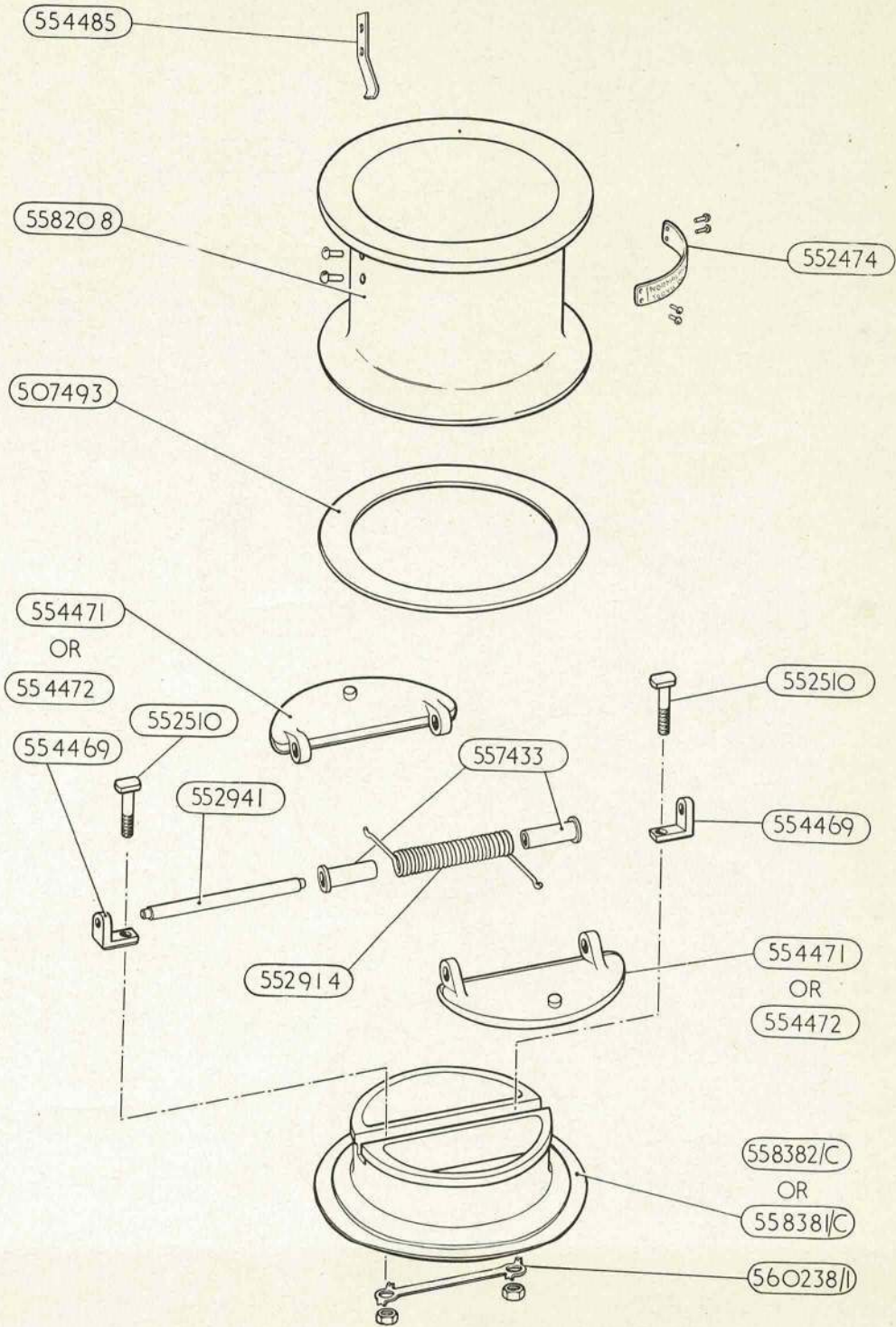


VALVE, NON-RETURN.

ISSUED WITH AL5  
PLATE M42

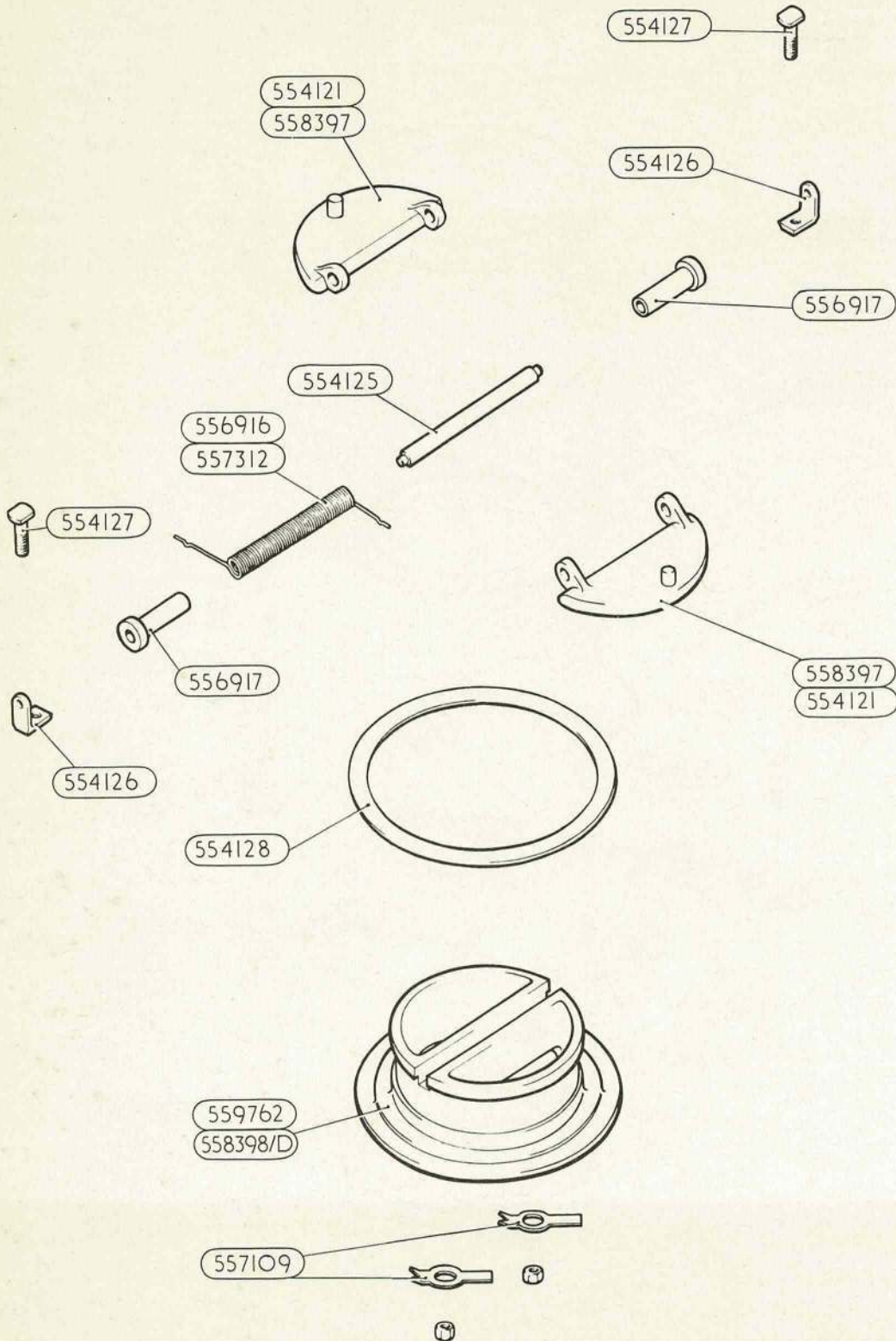


VALVE, NON-RETURN.

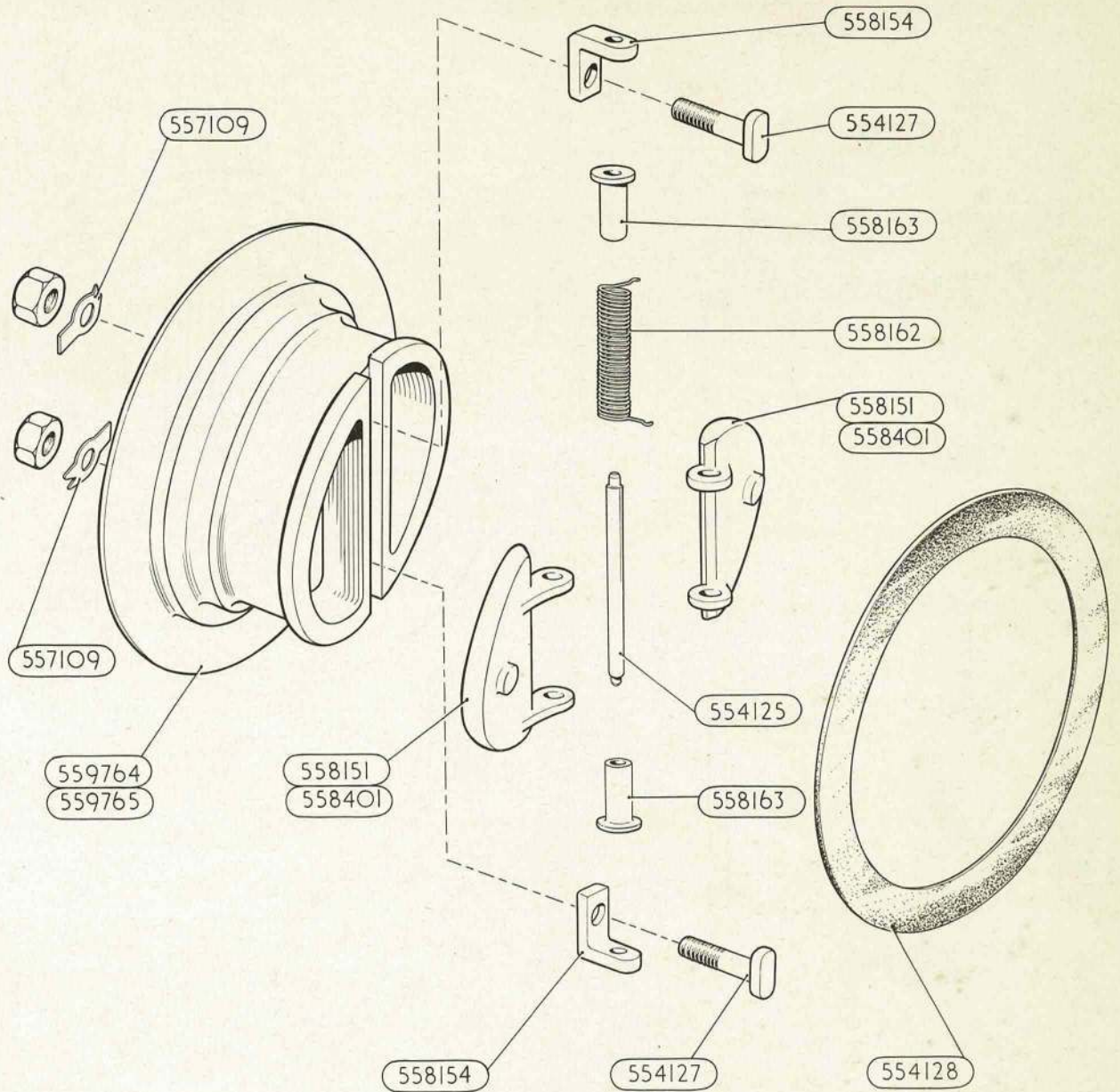


VALVE, NON RETURN

ISSUED WITH AL.8.  
PLATE M44



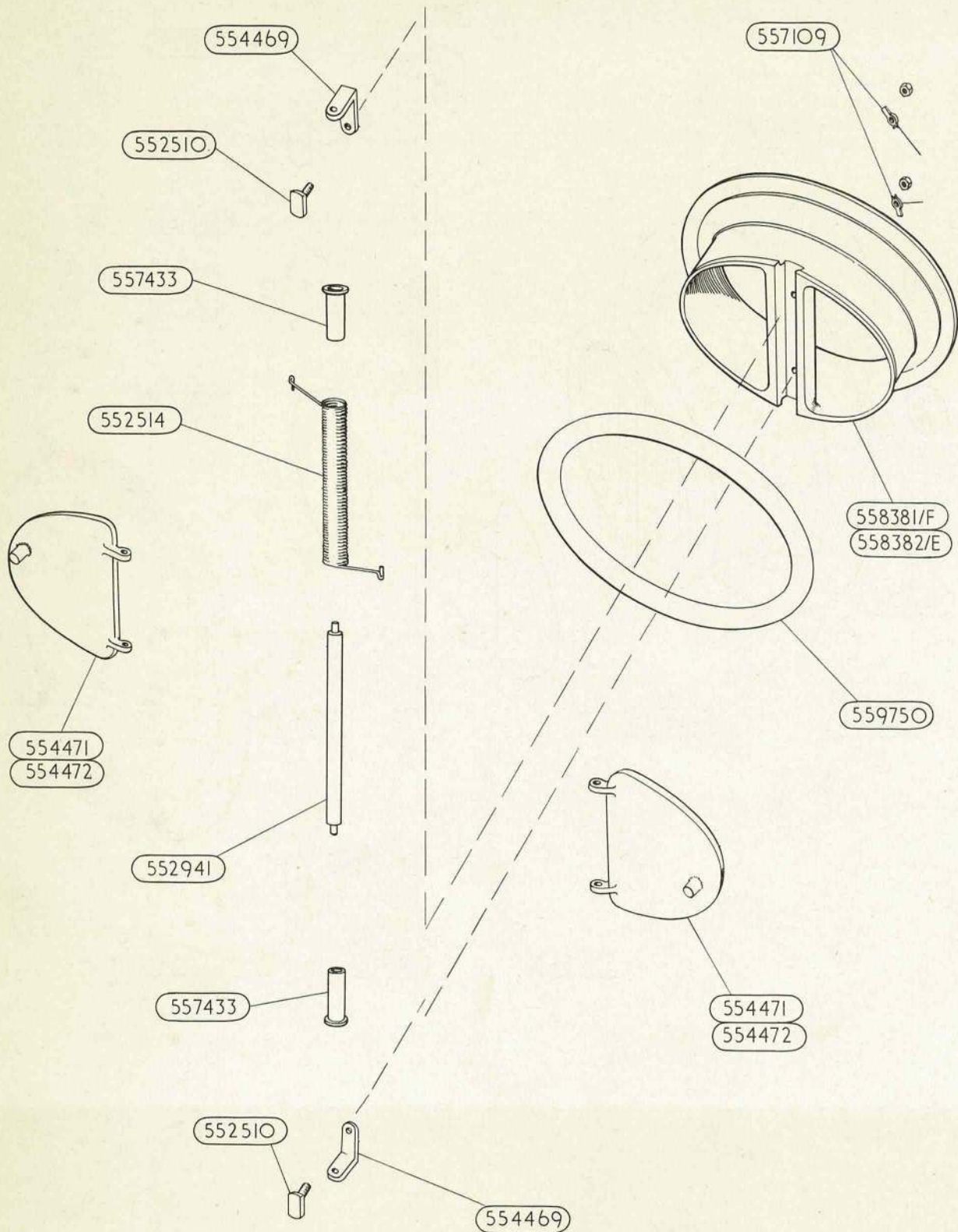
VALVE, NON RETURN



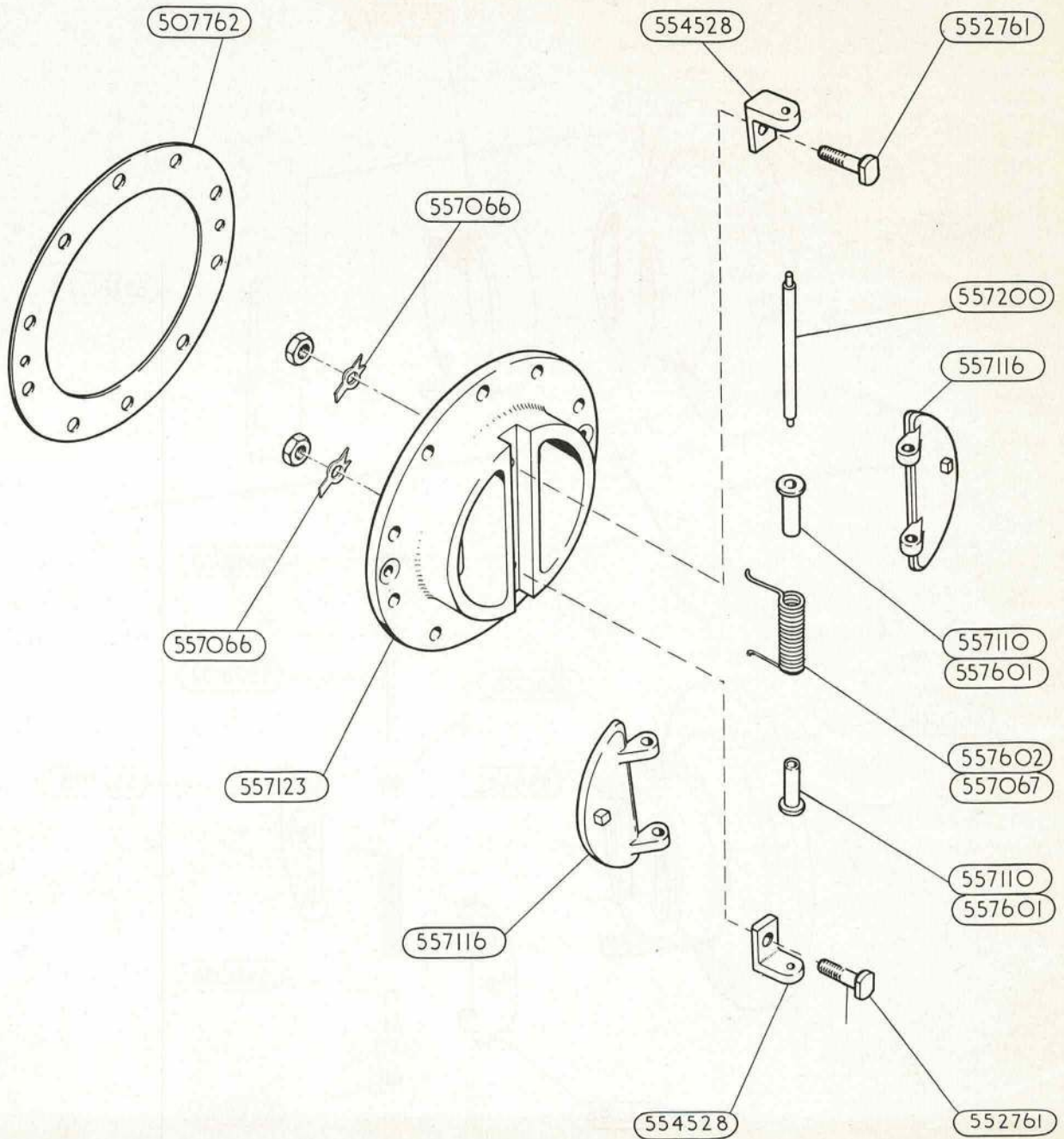
VALVE, NON RETURN

ISSUED WITH A.L. 8.

PLATE M46

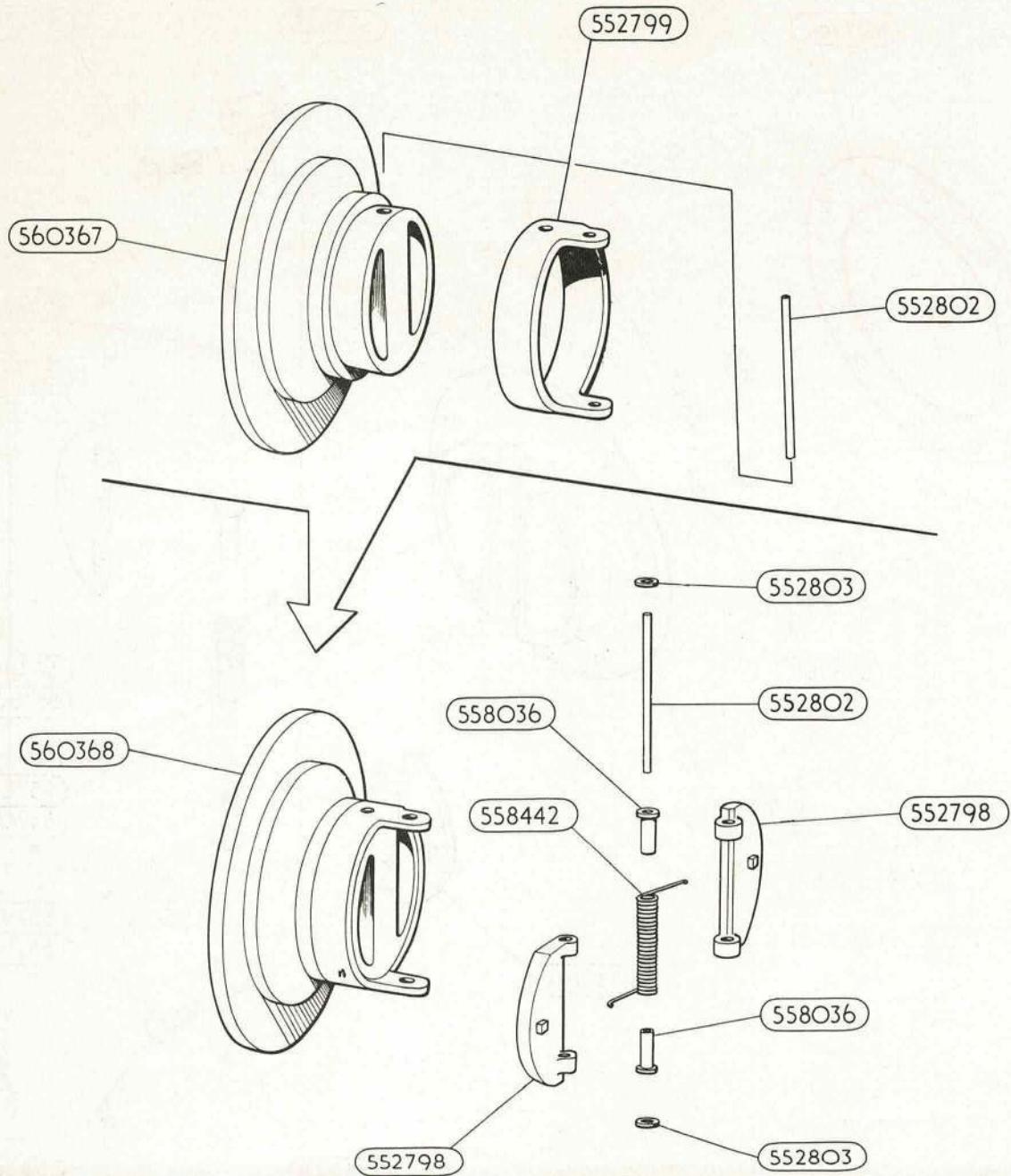


VALVE, NON-RETURN

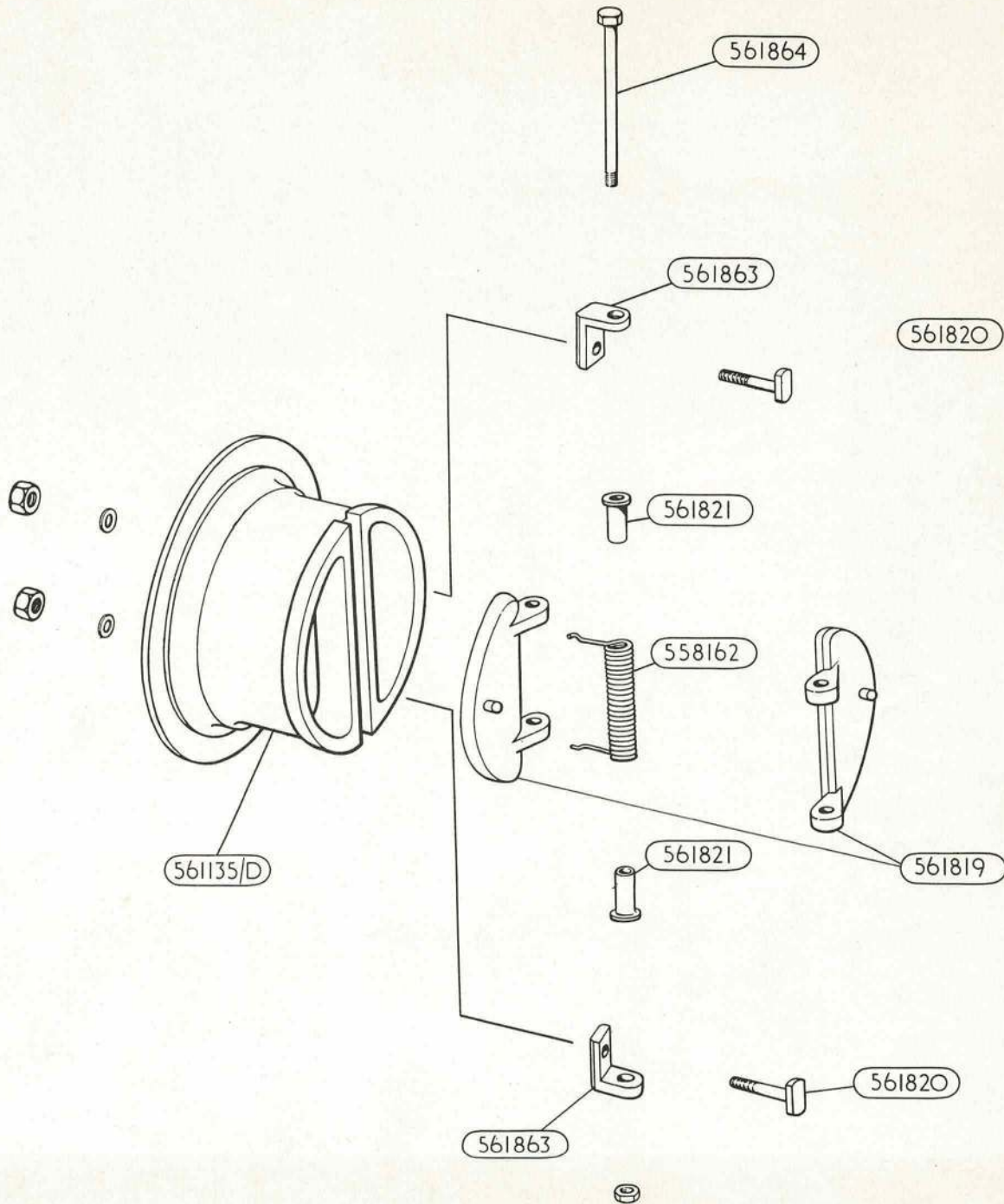


VALVE, NON-RETURN

PLATE M48



VALVE. NON-RETURN



VALVE, NON RETURN

REPT. TO THE DIRECTOR

PLATE MAP

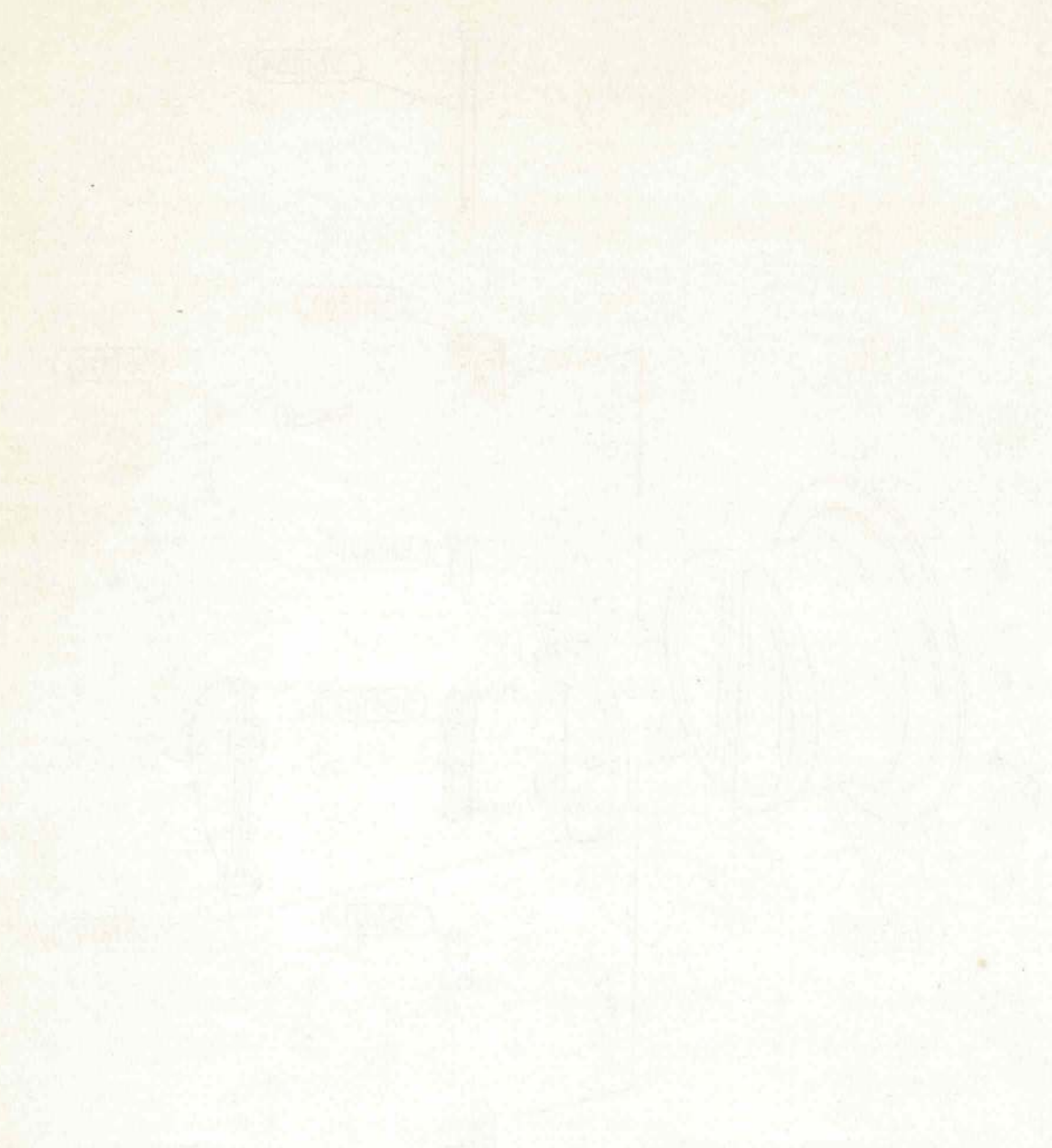


PLATE MAP RETURN

REPT. TO THE DIRECTOR

This file was downloaded  
from the RTFM Library.

Link: [www.scottbouch.com/rtfm](http://www.scottbouch.com/rtfm)

Please see site for usage terms,  
and more aircraft documents.

