

VALVES, RELIEF

7





TYPE / APPLICABILITY																
Section P — VALVES, RELIEF																
ACCESSORY :-		VALVE, RELIEF 505170														
AIRCRAFT	MK	No. OFF	MK	No. OFF	MK	No. OFF	MK	No. OFF	MK	No. OFF	MK	No. OFF	MK	No. OFF	MK	No. OFF
VULCAN		1														
		VALVE, RELIEF 480029														
COMET	2	1														
		VALVE, RELIEF 510660														
VULCAN		1														
		VALVE, RELIEF 511650														
SCIMITAR		1														

**TYPE / APPLICABILITY**  
**Section P — VALVES, RELIEF**

ACCESSORY :-																
VALVE, RELIEF 514400																
AIRCRAFT	MK	No. OFF	MK	No. OFF	MK	No. OFF	MK	No. OFF	MK	No. OFF	MK	No. OFF	MK	No. OFF	MK	No. OFF
SCIMITAR		1														
VALVE, RELIEF 513800																
SCIMITAR		1														
VALVE, RELIEF 512420																
SEA VIXEN		1														
VALVE, COMBINED RELIEF, MILITARY 512450																
SEA VIXEN		1														

TYPE / APPLICABILITY																		
Section P — VALVES, RELIEF																		
ACCESSORY :-		VALVE, RELIEF 503010																
AIRCRAFT	MK	No. OFF	MK	No. OFF	MK	No. OFF	MK	No. OFF	MK	No. OFF	MK	No. OFF	MK	No. OFF	MK	No. OFF	MK	No. OFF
BRITANNIA	1	2																
VALVE, INWARD RELIEF 503110																		
BRITANNIA	1	1																
VALVE, RELIEF 516400																		
BRITANNIA	1	3																
VALVE, RELIEF 511740																		
VICTOR	1	4																

TYPE / APPLICABILITY

Section P — VALVES, RELIEF

ACCESSORY :-

VALVE, CABIN RELIEF 513470

AIRCRAFT	MK	No. OFF	MK	No. OFF	MK	No. OFF	MK	No. OFF	MK	No. OFF	MK	No. OFF	MK	No. OFF	MK	No. OFF
CANBERRA	8	1	9	1												

VALVE, RELIEF 518910

SCIMITAR		1														
----------	--	---	--	--	--	--	--	--	--	--	--	--	--	--	--	--

VALVE, INWARD RELIEF 509180

VULCAN	1	1	2	1												
--------	---	---	---	---	--	--	--	--	--	--	--	--	--	--	--	--

--	--	--	--	--	--	--	--	--	--	--	--	--	--	--	--	--

VALVES, RELIEF

Ref. No.	Part No.	Description	No. Off	Matl. Spec.	CL. OF			Plate No.
					ST.	M.R.	L.M.	
		1 2 3 4 5						
474	505170	<b>VALVE, RELIEF, TYPE 55</b> ... ..	1	—	A			P 1
		Spares for:—						
	504074	<b>ADJUSTER</b> ... ..	1	S.80				P 1
27S/337	N.D.	<b>BALL — HOFFMAN</b> ... ..	37	—	C			P 1
	504072	<b>BEARING</b> ... ..	1	S.1				P 1
	504076	<b>BEARING</b> ... ..	1	S.1				P 1
	508554	<b>BODY</b> assembly ... ..	1	—				P 1
		Spares for:—						
	504066	<b>BODY, complete</b> ... ..	1	—				P 2
	508550	<b>BOLT</b> ... ..	1	S.80				P 2
28L/12983	A24/CT	Nut ... ..	1	—	C			
	508574	<b>BOLT, lever</b> ... ..	1	DTD.525				P 2
28M/13411	A24/CS	Nut ... ..	1	—	C			
28P/12587	SP9/C4	Pin, split ... ..	1	—	C			
28W/12665	SP14/C	Washer ... ..	1	—	C			
	508575	<b>BUSH</b> ... ..	1	DTD.525				P 2
	504089	<b>CAP, dust</b> ... ..	2	BS.265				P 2
	508556	<b>LEVER</b> and valve assembly ... ..	1	—				P 2
	508571	<b>LEVER</b> and stud, complete ... ..	1	—				P 2
	508557	<b>VALVE</b> ... ..	1	S.80				P 2
	508558	<b>WASHER</b> ... ..	1	BS.250				P 2
28M/13411	A24/CS	Nut ... ..	1	—	C			
28P/12431	SP9/C6	Pin, split ... ..	1	—	C			
	508561	<b>PIN</b> ... ..	1	DTD.161				P 2
	508551	<b>STRAP, stop</b> ... ..	1	S.80				P 2
28D/12859	A26/1A	Bolt ... ..	2	—	C			
28M/10337	AGS.2002/A2	Nut ... ..	2	—	C			
28W/14292	SP14/A	Washer ... ..	2	—	C			
	508577	<b>WASHER</b> ... ..	AR	DTD.171				P 2
	508576	<b>WASHER, double spring</b> ... ..	2	EN.42A				P 2
	504079	<b>CAP, retaining</b> ... ..	1	S.80				P 1
28P/12351	SP9/E8	Pin, split ... ..	1	—	C			
	504070	<b>CAP, screw</b> ... ..	1	S.80				P 1
	504077	<b>HOUSING, bearing</b> ... ..	1	S.80				P 1
	504075	<b>RETAINER, spring</b> ... ..	1	S.80				P 1
	508553	<b>RING, nut, complete</b> ... ..	1	—				P 1
28S/3420	A33/B8	Screw ... ..	8	—	C			

VALVES, RELIEF

Ref. No.	Part No.	Description	No. Off	Matl. Spec.	CL. OF			Plate No.
					ST.	M.R.	L.M.	
		1 2 3 4 5						
	504085	SCREW, grub ... ..	2	S.1				P 1
28S/3370 28W/13962	506750	SHROUD, complete ... ..	1	—				P 1
	A31/B8	Screw ... ..	6	—		C		
	SP47/B	Washer, spring ... ..	6	—		C		
	504088	SPIGOT assembly ... ..	1	—				P 1
		Spares for:—						
28P/1278	504086	EDGE, knife ... ..	1	S.1				P 2
	504078	SPIGOT ... ..	1	S.80				P 2
	AGS.167/1	Pin, taper ... ..	1	—		C		
	508573	SPRING, inner ... ..	1	DTD.747				P 1
	508572	SPRING, outer ... ..	1	DTD.747				P 1
	504087	WASHER, thrust ... ..	1	S.80				P 1

VALVES, RELIEF

Ref. No.	Part No.	Description	No. Off	Matl. Spec.	CL. OF			Plate No.
					ST.	M.R.	L.M.	
		1 2 3 4 5						
624	510660	VALVE, CABIN RELIEF ... ..	1	—	A			P 3
	N.D.	Spares for :— BALL, 3/32" dia. ... ..	16	STEEL				P 3
	505604	BEARING assembly ... ..	1	—				P 3
	TTS.10½	Spares for :— BEARING — S.K.F. ... ..	1	—				P 4
	505586	NUT, adjusting ... ..	1	L.65				P 4
	505585	PLATE, spring ... ..	1	L.65				P 4
	481081	BODY ... ..	1	L.51				P 3
	481431	DOWEL ... ..	2	S.2				P 3
	481432	DOWEL ... ..	2	S.2				P 3
	550842	GRID, complete with frame ... ..	1	—				P 3
936	481421	GUARD, complete ... ..	1	—				P 3
28D/12855	A25/27C	Bolt ... ..	3	—	C			
28D/12539	A25/16C	Bolt ... ..	6	—	C			
28L/13124	A27/CT	Nut ... ..	6	—	C			
28W/9419454	SP10/C	Washer ... ..	6	—	C			
28W/9419402	SP13/C	Washer ... ..	6	—	C			
28W/9416643	SP47/C	Washer ... ..	6	—	C			
	500514	HEAD, valve, with spindle, complete ... ..	1	—				P 3
	500154	LEVER, centre shaft assembly ... ..	1	—				P 3
	500518	Spares for :— LEVER ... ..	3	S.80				P 4
	500513	PIN ... ..	3	S.80				P 4
	500511	ROLLER, 1/2" dia. ... ..	3	S.80				P 4
	500512	ROLLER, 5/8" dia. ... ..	3	S.80				P 4
	500508	SCREW, locking ... ..	3	S.1				P 4
	500156	SHAFT, centre ... ..	1	L.45				P 4
28S/6470	481586	NAMEPLATE ... ..	1	L.4				P 3
	2R 3/16	Screw ... ..	4	—	C			
	481082	NUT ... ..	1	L.40				P 3
	500515	NUT ... ..	1	S.80				P 3
28S/6470	481334	PLATE ... ..	2	L.3				P 3
	2R 3/16	Screw ... ..	4	—	C			
28S/9670	500761	PLATE, cover ... ..	1	L.1				P 3
	2R 5/16	Screw ... ..	2	—	C			
	500510	PLATE, base ... ..	1	DTD.166				P 3

VALVES, RELIEF

Ref. No.	Part No.	Description	No. Off	Matl. Spec.	CL. OF ST.			Plate No.
					1	2	3	
28L/13124	481339	RING, seating ... ..	1	L.65				P 3
	481419	SCREW ... ..	3	S.11				P 3
	481135	SCREW, grub ... ..	1	S.80				P 3
	481341	SCREW, stop ... ..	1	S.2				P 3
	A27/CT	Nut ... ..	1	—	C			
	500516	SEATING, lower spring ... ..	1	DTD.525				P 3
	500509	SPRING ... ..	1	SPR.S.				P 3
	501719	SPRING ... ..	1	DTD.215				P 3
	500507	TUBE, ball retaining ... ..	1	L.40				P 3
	550845	TUBE, distance ... ..	3	L.56				P 3
501648	WASHER, packing (AMDT. 6AX) ... ..	AR	L.3				P 3	
28W/9419480	SP15/P	Washer ... ..	1	—	C			

VALVES, RELIEF

Ref. No.	Part No.	Description	No. Off	Matl. Spec.	CL. OF ST.			Plate No.
					1	2	3	
648	480029	VALVE, INWARD RELIEF 15-LB. ... ..	1	—			A	
		Spares for:—						
	497205	GUIDE, valve assembly ... ..	1	—				P 5
		Spares for:—						
	N.D.	BALL, 5/32" dia. ....	12	S.S.				P 6
	497207	BODY, valve guide ... ..	1	L.1				P 6
	497208	RING, retaining ... ..	1	L.1				P 6
	497206	TUBE, retaining ... ..	1	T.45				P 6
28S/2821	A33/B20	Screw ... ..	4	—			C	
	497215	HEAD, valve and stem assembly ... ..	1	—				P 5
		Spares for:—						
	497210	CAP, valve ... ..	1	L.1				P 6
	497209	HEAD, relief valve ... ..	1	L.51				P 6
	497213	STEM, valve, complete ... ..	1	S.80				P 6
28S/2863	A32/B16	Screw ... ..	4	—			C	
	560629	SHIM between valve head and cap.	R/R.	SHIM ST.				
28P/14543	SP31/H8	Pin, split, taper ... ..	1	—			C	
586	494031	NAMEPLATE (R.N.) ... ..	1	L.4				P 5
28Q/6968	AS.160/303	Rivet ... ..	4	—			C	
	480038	RING, clamp ... ..	1	L.3				P 5
1632	497202	RING, valve seating, complete ... ..	1	—				P 5
1633	480037	SEATING, valve ... ..	1	L.51				P 5
28S/2809	A33/B12	Screw ... ..	16	—			C	
	497270	SLEEVE, spring retaining, complete ... ..	1	L.65				P 5
1631	497204	SPRING ... ..	1	SPR.S.				P 5



VALVES, RELIEF

Ref. No.	Part No.	Description	No. Off	Matl. Spec.	CL. OF ST.			Plate No.
					1	2	3	
1377	514400	VALVE, OUTWARD RELIEF (R.N.)	1	—			P	P 8
	ND/S 288	Spares for:— BODY, complete	1	—				P 8
1344	551785	NAMEPLATE	1	L.59			C	P 8
28S/6634	2R 1/8"	Screw	4	—			C	
1537	555704	RETAINER, spring	1	L.65				P 8
28L/13124	A27/CT	Nut, 2 B.A.	2	—			C	
28W/14206	SP23/C	Washer, 2 B.A.	1	—			C	
1538	555712	RING, sealing, relief valve to body	1	DTD.416				P 8
1536	555804	RING, valve sealing	1	DTD.416				P 8
1534	556006	SPRING	1	SPR.ST.				P 8
1539	556114	VALVE, outward relief, assembly	1	—				P 8
1346	552918	LINK Spares for:— BRACKET, bridge	1	DTD.615			C	P 8
1540	552924/B	LINK, connecting	1	L.34				P 8
28P/12645	SP9/B4	Pin, split	4	—			C	
1345	552925	PLATE, valve	1	L.65			C	P 8
28S/3370	A31/B8	Screw, 4 B.A.	2	—			C	
1541	555703	SEAT, valve, complete	1	—				P 8
1351	552917	SHAFT, connecting link attachment to valve seat.	1	S.80			C	P 8
1349	552919	SHAFT, connecting link attachment to bridge piece.	1	S.80			C	P 8
1518	555705	SPINDLE	1	S.1			C	P 8
1350	552916	WASHER, attachment of connecting link and bridge bracket to shaft.	8	DTD.1713			C	P 8
28Q/6753	AGS.2047/410	Pin, sealing	2	—			C	
28Q/6649	AGS.2045/410	Rivet, 1/8" dia.	2	—			C	
28Q/7243	AS.157/305	Rivet, 3/32" dia. sn. hd.	13	—			C	



VALVES, RELIEF

Ref. No.	Part No.	Description	No. Off	Matl. Spec.	CL. OF ST.			Plate No.
					1	2	3	
1116	512420	VALVE, DUCT RELIEF ... .. Spares for :—	1	—	A			P 9
	552923	ANCHOR, spring adjustable ... ..	1	S.80				P 9
1354	552922	ANCHOR, spring swivel (PRE. MOD. 3BE) ... ..	1	L.65	C			P 9
	558212	ANCHOR, spring swivel (MOD. 3BE) ... ..	1	L.65				
1346	552918	BRACKET, bridge ... ..	1	DTD.610	C			P 9
28S/3370	A31/B8	SCREW ... ..	2	—	C			
	552926	FRAME, support assembly ... .. Spares for :—	1	—				P 9
	554092	BAR ... ..	1	L.64				P 9
	AGS.2011/1C	Nut ... ..	1	—	C			
28Q/7848	AS.162/305	Rivet ... ..	4	—	C			
1348	552915	SEAT, valve, complete ... ..	1	—				P 9
	554331	TUBE, distance ... ..	1	L.64				P 9
1347	552921	GASKET ... ..	1	DTD.378A	C			P 9
1352	552924/A	LINK, connecting ... ..	1	L.34	C			P 9
	560095/A	LINK " ... ..	1	LEAD	C			
1344	551785	NAMEPLATE ... ..	1	L.59	C			P 9
28S/6634	2R 1/8"	Screw ... ..	4	—	C			
1345	552925	PLATE, valve ... ..	1	L.6	C			P 9
1432	554559	SHAFT ... ..	1	S.80				P 9
28M/10337	AGS.2002/A2	Nut ... ..	2	—	C			
1349	552919	SHAFT ... ..	1	S.80	C			P 9
28P/12645	SP9/B4	Pin, split, cotter ... ..	2	—	C			
1353	552914	SPRING ... ..	1	DTD.189	C			P 9
1410	554558	WASHER ... ..	3	DTD.171B				P 9
1350	552916	WASHER ... ..	5	DTD.171B	C			P 9



VALVES, RELIEF

Ref. No.	Part No.	Description	No. Off	Matl. Spec.	CL. OF ST.			Plate No.
					1	2	3	
1115	512450	<b>VALVE, COMBINED MILITARY RELIEF 4" (R.N.)</b>	1	—			P	P 10
		Spares for:—						
1276	553513	<b>ARM</b> , lever, R.H. ... ..	1	L.70			C	P 10
1277	553514	<b>ARM</b> , lever, L.H. ... ..	1	L.70			C	P 10
28D/12513	A25/2C	Bolt ... ..	2	—			C	
28M/10328	AGS.2002/C1	Nut ... ..	2	—			C	
28W/14319	SP11/C	Washer ... ..	4	—			C	
28W/15037	SP11/G	Washer ... ..	4	—			C	
	553501	<b>BASEPLATE</b> assembly ... ..	1	—				P 10
		Spares for:—						
1284	553524	<b>BLOCK</b> ... ..	4	L.65			C	P 10
28S/2779	A31/B24	Screw ... ..	4	—			C	
28W/3097	AGS.162/B	Washer ... ..	4	—			C	
28M/4435067	AGS.2008/C1	Nut, anchor — <b>SIMMONDS</b> ... ..	12	—			C	
28Q/6867	AS.160/306	Rivet ... ..	24	—			C	
1426	06DP08	<b>BEARING — GLACIER</b> ... ..	2	—			C	P 10
	553516	<b>BRACKET</b> , hinge ... ..	1	—			C	P 10
28M/10327	AGS.2002/B1	Nut ... ..	2	L.65			C	
28S/6375	A37/B16	Screw ... ..	2	—			C	
28W/14456	SP11/B	Washer ... ..	2	—			C	
1279	553515	<b>BUSH</b> ... ..	2	S.80			C	P 10
1280	553523	<b>CAGE</b> , complete ... ..	1	—				P 10
28S/9419435	A31/B12	Screw ... ..	4	—			C	
28W/3097	AGS.162/B	Washer ... ..	4	—			C	
28W/14456	SP11/B	Washer ... ..	4	—			C	
1289	553525	<b>CLIP</b> , spring ... ..	1	BS.407			C	P 10
	553508	<b>HEAD</b> , valve assembly ... ..	1	—				P 10
		Spares for:—						
1288	553505	<b>HEAD</b> , valve ... ..	1	L.70			C	P 10
1286	553506	<b>SPINDLE (PRE. AMDT. 132)</b> ... ..	1	DTD.525			C	P 10
	558396	<b>SPINDLE (AMDT. 132)</b> ... ..	1	DTD.525			C	
1287	553507	<b>WASHER</b> , sealing <i>(PRE. AMDT. 138)</i> ... ..	1	RUBBER			C	P 10
28M/10327	AGS.2002/B1	Nut ... ..	4	—			C	
28S/14006	A33/B14	Screw ... ..	4	—			C	
28W/14456	SP11/B	Washer ... ..	4	—			C	
1283	553504	<b>HOUSING</b> , bearing ... ..	1	DTD.304			C	P 10
28S/11898	A35/B8	Screw ... ..	6	—			C	
534	500500	<b>NAMEPLATE (R.N.)</b> ... ..	1	L.4			C	P 10
28Q/	AS.156/302	Rivet ... ..	4	—			C	
1282	553510	<b>NUT</b> , special ... ..	1	S.1			C	P 10
28W/9418921	SP13/E	Washer ... ..	1	—			C	

VALVES, RELIEF

Ref. No.	Part No.	Description	No. Off	Matl. Spec.	CL. OF			Plate No.
					ST.	M.R.	L.M.	
1431	557562	PIN, stop, .063" dia. x .700" long ... ..	1	BS.1407	C		P 10	
	553511	RETAINER, spring ... ..	1	L.65			P 10	
1285	553503	RING, seating, complete ... ..	1	—	C		P 10	
	553509	SPACER ... ..	1	L.65	C		P 10	
1430	553519	SPACER, hinge ... ..	1	L.65	C		P 10	
28D/13487	A25/21C	Bolt ... ..	1	—	C			
28M/10328	AGS.2002/C1	Nut ... ..	1	—	C			
28W/14319	SP11/C	Washer ... ..	4	—	C			
1278	553518	SPACER, lever arm ... ..	1	L.65	C		P 10	
28D/12628	A25/18B	Bolt ... ..	1	—	C			
28M/10327	AGS.2002/B1	Nut ... ..	1	—	C			
28W/14456	SP11/B	Washer ... ..	2	—	C			
1275	553517	SPRING ... ..	1	DTD.189	C		P 10	
1274	553517/1	SPRING ... ..	1	DTD.189	C		P 10	
1281	553522	SPRING ... ..	1	DTD.215	C		P 10	
432	AG340	BEAL AMPT 145	1	STEEL	C			
	561436	ROD TRANSIT PURPOSES ONLY	1	STEEL	C			

VALVES, RELIEF

Ref. No.	Part No.	Description	No. Off	Matl. Spec.	CL. OF ST.			Plate No.
					1	2	3	
1376	511650	<b>VALVE, RELIEF (R.N.)</b> ... ..	1	—			P	P7
		Spares for :—						
1483	551777	<b>BODY</b> , valve, complete ... ..	1	—				P7
	551783	<b>BOLT</b> , special ( <b>PRE. MOD. 1BE</b> ) ... ..	1	—				P7
1482	557097	<b>BOLT</b> , special, valve spring adjustment ( <b>MOD. 1BE</b> ). ... ..	1	—				P7
28L/13124	A27/CT	Nut, thin ... ..	1	—			C	
28W/9419402	SP13/C	Washer, 2 B.A. ... ..	1	—			C	
1481	551782	<b>GASKET</b> , sealing, relief valve and valve body ... ..	1	DTD.416				P7
1344	551785	<b>NAMEPLATE</b> ... ..	1	L.4			C	P7
28S/6634	2R-1/8"	Screw ... ..	4	—			C	
1480	551784	<b>SPRING</b> , relief valve ... ..	1	DTD.215				P7
	551780	<b>VALVE</b> , relief, assembly ... ..	1	—				P7
		Spares for :—						
1484	551779	<b>ARM</b> , locating ... ..	1	L.64				P7
28P/12587	SP9/C4	Pin, split ... ..	2	—			C	
28W/9419401	SP10/B	Washer ... ..	2	—			C	
	505405	<b>PIN</b> , headed, locating arm attachment ... ..	2	S.2				P7
1485	551775	<b>PLATE</b> , valve ... ..	1	L.33				P7
1486	551776	<b>SEAT</b> , valve, complete ... ..	1	—				P7
28Q/6726	K4/PD	Pin, sealing ... ..	2	—			C	
28Q/6724	TK4/SD	Rivet ... ..	2	—			C	
28Q/7138	AS.157/303	Rivet ... ..	12	—			C	

Ref. No.	Part No.	Description					No. Off	Matl. Spec.	CL. OF	Plate No.
		1	2	3	4	5			ST. M.R. L.M.	

VALVES, RELIEF

Ref. No.	Part No.	Description	No. Off	Matl. Spec.	CL. OF ST.			Plate No.
					1	2	3	
1365	513800	VALVE, OUTWARD RELIEF (R.N.)	1	—			P	P 8
		Spares for:—						
	ND/S 288	BODY, complete	1	—				P 8
1344	551785	NAMEPLATE	1	L.59			C	P 8
28S/6634	2R-1/8"	Screw	4	—			C	
1534	555704	RETAINER, spring	1	L.65			C	P 8
28L/13124	A27/CT	Nut, 2 B.A.	2	—			C	
28W/44206	SP23/C	Washer, 2 B.A.	1	—			C	
1538	555712	RING, sealing, relief valve to body	1	DTD.416			C	P 8
1536	555804	RING, valve sealing	1	DTD.416			C	P 8
1535	555706	SPRING	1	DTD.215			C	P 8
1539	556114	VALVE, outward relief, assembly	1	—			C	P 8
		Spares for:—						
1346	552918	BRACKET, bridge	1	DTD.615			C	P 8
	5600957B	LINK CONNECTING AMDT GBE	1	—			C	
1540	552924/B	LINK, connecting PRE AMDT. GBE	1	L.34			C	P 8
28P/12645	SP9/B4	Pin, split	4	—			C	
1345	552925	PLATE, valve	1	L.65			C	P 8
28S/3370	A31/B8	Screw	2	—			C	
1541	555703	SEAT, valve, complete	1	—			C	P 8
1351	552917	SHAFT, connecting link attachment to valve seat.	1	S.80			C	P 8
1349	552919	SHAFT, connecting link attachment to bridge piece.	1	S.80			C	P 8
1542	555705	SPINDLE	1	S.1			C	P 8
1350	552916	WASHER, attachment of connecting link and bridge bracket to shafts.	8	DTD.1713			C	P 8
28Q/6753	AGS.2047/410	Pin, sealing	2	—			C	
28Q/6649	AGS.2045/410	Rivet, 1/8" dia.	2	—			C	
28Q/7243	AS.157/305	Rivet, 3/32" dia. sn. hd.	13	—			C	



VALVES, RELIEF

Ref. No.	Part No.	Description	No. Off	Matl. Spec.	CL. OF ST.			Plate No.
					1	2	3	
858	503010	VALVE, RELIEF ... ..	1	—			A	P 11
	N.D.	Spares for:— BALL, steel, 3/32" dia. at centre shaft ... ..	16	—				
	505604	BEARING, centre shaft, assembly ... ..	1	—				P 11
	505586	Spares for:— NUT, adjusting ... ..	1	L.65				P 12
	505585	PLATE, spring ... ..	1	L.65				P 12
	N.D.	RACE, ball, TTS 10½ — SKEFCO ... ..	1	—				P 12
	481081	BODY, valve ... ..	1	L.51				P 11
	481432	DOWEL, locating valve seat to body ... ..	2	S.1				P 11
	481431	DOWEL, centre shaft locking ... ..	2	S.1				P 11
936	481421	GUARD, complete ... ..	1	—			C	P 11
	557558	HEAD, valve, complete, with spindle ... ..	1	—				P 11
	500154	LEVER and centre shaft assembly ... ..	1	—				P 11
	500518	Spares for:— LEVER ... ..	3	S.80				P 12
	500513	PIN, lever pivot ... ..	3	S.80				P 12
	500511	ROLLER, upper, 1/2" dia. ... ..	3	DTD.525				P 12
	500512	ROLLER, lower, 5/8" dia. ... ..	3	DTD.525				P 12
	500508	SCREW, lever pivot pin locking ... ..	3	S.1				P 12
	500156	SHAFT, centre ... ..	1	L.45				P 12
28S/6634	481586	NAMEPLATE ... ..	1	L.4				P 11
	2R-1/8"	Screw — P.K. ... ..	4	—			C	
28W/9419480	481082	NUT, shaft ... ..	1	L.40				P 11
	SP15/P	Washer ... ..	1	—			C	
	500515	NUT, attaching ball retaining tube to valve spindle.	1	S.80				P 11
28S/9670	500761	PLATE, cover, shaft nut ... ..	1	L.1				P 11
	2R-5/16"	Screw — P.K. ... ..	2	—			C	
	500510	PLATE, base, valve head ... ..	1	DTD.166				P 11
	481334	PLATE, cover access aperture to spring loading adjusting nut.	2	—				P 11
28S/6634	2R-1/8"	Screw — P.K. ... ..	4	—			C	
28D/7385	501647	RING, valve seating ... ..	1	L.65				P 11
28M/13124	A25/16C	Bolt, 2 B.A. ... ..	6	—			C	
28W/9419402	A27/CT	Nut, 2 B.A. ... ..	6	—			C	
	SP13/C	Washer, 2 B.A. ... ..	6	—			C	
28W/3098	AGS.162/C	Washer, spring, 2 B.A. ... ..	6	—			C	

VALVES, RELIEF

Ref. No.	Part No.	Description	No. Off	Matl. Spec.	CL. OF	Plate No.
					ST.	
					M.R.	
					L.M.	
28M/13124	481341	SCREW, stop, spring adjusting nut locking ...	1	—	C	P 11
	A27/CT	Nut, 2 B.A. ...	1	—		
	481135	SCREW, grub, shaft nut locking ...	1	S.80		P 11
	481419	SCREW, valve seating attachment to body ...	3	—		P 11
	500516	SEATING, main spring ...	1	DTD.525		P 11
	500509	SPRING, valve spindle ...	1	Spr.St.		P 11
	508708	SPRING, main ...	1	DTD.215		P 11
	500507	TUBE, ball retaining ...	1	L.40		P 11
	501648	WASHER, packing, at spring seating ...	AR	L.3		P 11

VALVES, RELIEF

Ref. No.	Part No.	Description	No. Off	Matl. Spec.	CL. OF			Plate No.
					ST.	M.R.	L.M.	
		1 2 3 4 5						
877	503110	<b>VALVE, INWARD RELIEF, 7-300" DIA.</b> ... ..	1	--	A			P 13
		Spares for:—						
	506885	<b>BEARING</b> , inner, at bevel wheelshaft ... ..	1	S.1				P 13
	N.D.	<b>BEARING</b> — SKEFCO EE9, at bevel wheel ... ..	1	—				P 13
28N/15239	AGS.2030/59	<b>CIRCLIP</b> ... ..	1	—	C			
	503114	<b>BODY</b> , valve ... ..	1	L.124				P 13
28R/10162	AGS.566/C	Plug, sealing access aperture to headed pins ... ..	1	—	C			
	ND/S 307	<b>CASING</b> , gearbox, group ... ..	1	—				P 13
		Spares for:—						
	AGS.884/C	<b>STUD</b> ... ..	8	—	C			
28D/12532	A25/4C	Bolt, 2 B.A. ... ..	8	—	C			
28M/10328	AGS.2002/C1	Nut, 2 B.A. ... ..	8	—	C			
28W/9419402	SP13/C	Washer, 2 B.A. ... ..	8	—	C			
881	N.D.	<b>BUSH</b> , FCT.101 — <b>MANGANESE</b> ... ..	2	OILITE	C			P 13
	504325	<b>COVER</b> , gearbox ... ..	1	L.124				P 13
28M/10328	AGS.2002/C1	Nut, 2 B.A. ... ..	8	—	C			
28R/1396	AGS.216/A	Plug ... ..	1	—	C			
28W/6700	AGS.164/E	Washer, 1/4" B.S.F. ... ..	1	—	C			
28W/9419402	SP13/C	Washer, 2 B.A. ... ..	8	—	C			
878	504339	<b>COVER</b> , assembly ... ..	1	—	C			P 13
		Spares for:—						
	503115	<b>COVER</b> ... ..	1	L.124				P 14
	504341	<b>PLATE</b> , skin ... ..	1	Sil.St.				P 14
28M/10287	AGS.2001/B1	Nut, 4 B.A. ... ..	12	—	C			
28S/8371	AS.1243/1B	Screw, 4 B.A. ... ..	12	—	C			
28W/9419474	SP15/B	Washer, 4 B.A. ... ..	12	—	C			
879	504343	<b>RING</b> , joint, sealing skin plate to sealing ring ... ..	1	RUBBER	C			P 14
	504342	<b>RING</b> , distance ... ..	1	L.16				P 14
28D/12511	A25/2B	Bolt, 4 B.A. ... ..	16	—	C			
28M/10327	AGS.2002/B1	Nut, 4 B.A. ... ..	16	—	C			
28W/9419474	SP15/B	Washer, 4 B.A. ... ..	16	—	C			
880	506093	<b>SEAT</b> , rubber, complete ... ..	1	—	C			P 14
28N/553	AGS.899/6	Collar ... ..	2	—	C			
28P/906	SP4/Y/F16	Pin, headed ... ..	2	—	C			
28P/12262	SP9/E6	Pin, split ... ..	2	—	C			
	504331	<b>DOWEL</b> , locating attachment of gearbox casing to valve body. ... ..	1	—				P 13
	504336	<b>GASKET</b> , at attachment of gearbox cover to casing. ... ..	1	KLING				P 13
	504337	<b>GASKET</b> , inter, gearbox casing and valve body ... ..	1	KLING				P 13
	N.D.	<b>JOINT</b> , universal, size No. 1 — <b>MOLLART</b> ... ..	1	—				P 13

VALVES, RELIEF

Ref. No.	Part No.	Description	No. Off	Matl. Spec.	CL. OF ST.			Plate No.
					1	2	3	
	504330	<b>LINK</b> , cover operating ... ..	1	DTD.259				P 13
28N/5553	AGS.899/6	Collar ... ..	1	—			C	
28P/904	SP4/Y/F14	Pin ... ..	1	—			C	
28P/12262	SP9/E6	Pin, split ... ..	1	—			C	
534	500500	<b>NAMEPLATE (R.N.)</b> ... ..	1	L.4			C	P 13
28S/6634	2R 1/8"	Screw — P.K. ... ..	4	—			C	
	504335	Nut, ring, attachment of bevel wheel to rotating screw.	1	S.1				P 13
28N/13735	AGS.2031/10	Circlip ... ..	1	—			C	
	504334	<b>RETAINER</b> , grease, at bevel wheel ball race ...	1	S.3				P 13
	504329	<b>SCREW</b> , actuating ... ..	1	S.1				P 13
28N/5553	AGS.899/6	Collar ... ..	1	—			C	
28M/10330	AGS.2002/E1	Nut, 1/4" B.S.F. ... ..	1	—			C	
28P/900	SP4/Y/F10	Pin, headed ... ..	1	—			C	
28P/12262	SP9/E6	Pin, split ... ..	1	—			C	
28V/9418921	SP13/E	Washer, 1/4" B.S.F. ... ..	1	—			C	
	504328	<b>SHAFT</b> , bevel wheel driver ... ..	1	S.1				P 13
	504338	<b>SHIM</b> , seating of driver bevel wheel at inner bearing.	AR	PEN St.				P 13
	504344	<b>WASHER</b> , at attachment of driver bevel wheel to shaft.	1	S.1				P 13
	504326	<b>WHEEL</b> , bevel driver ... ..	1	S.1				P 13
28M/10330	AGS.2002/E1	Nut, 1/4" B.S.F. ... ..	1	—			C	
	504327	<b>WHEEL</b> , bevel driven ... ..	1	DTD.265				P 13

VALVES, RELIEF

Ref. No.	Part No.	Description	No. Off	Matl. Spec.	CL. OF		Plate No.
					ST.	M.R.	
		1 2 3 4 5					
1098	516400	VALVE, RELIEF ... ..	1	—	A	P 11	
	N.D.	Spares for :— BALL, 3/32" dia. ... ..	16	STEEL			
	505604	BEARING, assembly ... .. Spares for :—	1	—		P 11	
	TTS.10½	BEARING — SKEFCO ... ..	1	—		P 12	
	505586	NUT, adjusting ... ..	1	L.65		P 12	
	505585	PLATE, spring ... ..	1	L.65		P 12	
	481081	BODY, valve ... ..	1	L.51		P 11	
	481431	DOWEL, locating centre shaft in body ... ..	2	S.2		P 11	
	481432	DOWEL, seating ring locating on body ... ..	2	S.2		P 11	
936	481421	GUARD, complete ... ..	1	—	C	P 11	
28D/12539	A25/16C	Bolt, 2 B.A. ... ..	6	—	C		
28M/13124	A27/CT	Nut, 2 B.A. ... ..	6	—	C		
28W/9419454	SP10/C	Washer, 2 B.A. ... ..	6	—	C		
28W/9419402	SP13/C	Washer, 2 B.A. ... ..	6	—	C		
28W/3098	AGS.162/C	Washer ... ..	6	—	C		
	500514	HEAD, valve, complete with spindle ... ..	1	—		P 11	
	500154	LEVER, centre shaft, assembly ... .. Spares for :—	1	—		P 11	
	500518	LEVER ... ..	3	S.80		P 12	
	500513	PIN, lever pivot ... ..	3	S.80		P 12	
	500511	ROLLER, 1/2" dia. ... ..	3	DTD.525		P 12	
	500512	ROLLER, 5/8" dia. ... ..	3	DTD.525		P 12	
	500508	SCREW, locking ... ..	3	S.1		P 12	
	500156	SHAFT, centre ... ..	1	L.45		P 12	
	481586	NAMEPLATE ... ..	1	L.4		P 11	
28S/6634	NPK.4101	Screw, No. 2 x 1/8" ... ..	4	—	C		
	481082	NUT, centre shaft attachment to body ... ..	1	L.40		P 11	
28W/9419480	SP15/P	Washer ... ..	1	—	C		
	500515	NUT, valve and spindle securing at retaining tube.	1	—		P 11	
	481334	PLATE, cover spring adjusting nut apertures ... ..	2	L.3		P 11	
28S/6470	2R-3/16"	Screw ... ..	4	—	C		

VALVES, RELIEF

Ref. No.	Part No.	Description	No. Off	Matl. Spec.	CL. OF	Plate No.
					ST.	
					M.R.	
					L.M.	
28S/9670	500761	PLATE, cover, at centre shaft attachment nut ...	1	L.1	C	P 11
	2R-5/16"	Screw ... ..	2	—		
	500510	PLATE, base roller track ... ..	1	DTD.166		
	481339	RING, valve seating ... ..	1	L.65		
	481419	SCREW, valve seating ring attachment to body ...	3	S.11		
28L/13124	481135	SCREW, grub, centre shaft attachment nut locking.	1	S.80	P 11	
	481341	SCREW, spring adjusting nut locking ... ..	1	S.2	P 11	
	A27/CT	Nut, 2 B.A. ... ..	1	—	C	
	500516	SEATING, spring, lower ... ..	1	DTD.525	P 11	
	500509	SPRING, auxiliary, at retaining tube ... ..	1	Spr.St.	P 11	
	500503	SPRING, main ... ..	1	DTD.219	P 11	
	500507	TUBE, ball retaining ... ..	1	L.40	P 11	
	501648	WASHER, packing, at lower spring seating ...	AR	L.3	P 11	

VALVES, RELIEF

Ref. No.	Part No.	Description	No. Off	Matl. Spec.	CL. OF ST.			Plate No.
					1	2	3	
730	511740	VALVE, RELIEF, INWARDS AND OUTWARDS ...	1	—			A	P 15
		Spares for:—						
	558675	ADAPTER, cone assembly (MOD. 6BZ) ...	1	—				P 15
		Spares for:—						
	558672	ADAPTER ... ..	1	—				P 16
	5000/37/W	CIRCLIP — TRUARC ... ..	1	—				P 16
	558674	FILTER and orifice, complete ... ..	1	—				P 16
	SP910/5	RING — DOWTY ... ..	1	—				
	553003	BEARING, bellows guide (PRE. AMDT. 11BZ) ...	2	BS.369				P 15
	558648	BELLOWS, main (AMDT. 8BZ) ... ..	1	—				P 15
28S/3370	A31/B8	Screw (PRE. MOD. 5BZ) ... ..	5	—			C	
28S/9419453	A31/B14	Screw (MOD. 5BZ) ... ..	5	—			C	
28W/9416642	SP47/B	Washer ... ..	6	—			C	
	553011	BELLOWS, small, group ... ..	1	—				P 15
		Spares for:—						
	SP916B/13	RING — DOWTY ... ..	1	—				P 16
	ND/S.123	VALVE — SCHRADER ... ..	1	—				P 16
	553008	BODY, valve, complete ... ..	1	—				P 15
28F/9708	AGS.1104/B	Adapter, cone (PRE. MOD. 6BZ) ... ..	1	—			C	
	557196	BOLT, special (AMDT. 1BZ) (PRE. MOD. 5BZ) ...	1	—				
	558660	BOLT, special (MOD. 5BZ) ... ..	1	S.94				P 15
28W/9419486	SP16/B	Washer (AMDT. 8BZ)... ..	1	—				
	553000	CAP, end valve body ... ..	1	L.59				
28D/13356	A28/4C	BOLT ... ..	8	—			C	
28M/10319	AGS.2002/C3	Nut ... ..	8	—			C	
28W/9419475	SP15/C	Washer ... ..	8	—			C	
	553020	CAP, end adjusting screw ... ..	1	L.64				P 15
	553027	COLLAR, spring guide ... ..	1	L.62				P 15
28P/9429619	SP9/C5	Pin, split ... ..	1	—			C	
2115	553023	FILTER, cone adapter (PRE. MOD. 6BZ) ...	1	—				P 15
	553018	GASKET ... ..	1	DTD.416				P 15
	553004	GUIDE, bellows ... ..	1	S.80				P 15
28M/10328	AGS.2002/C1	Nut ... ..	1	—			C	
28W/9419402	SP13/C	Washer ... ..	1	—			C	
534	500500	NAMEPLATE (R.N.) ... ..	1	L.4			C	P 15
	553016	NUT, lock, small bellows ... ..	1	L.65				P 15
	553025	NUT, spring, guide ... ..	1	L.65				P 15

VALVES, RELIEF

Ref. No.	Part No.	Description	No. Off	Matl. Spec.	CL. OF			Plate No.
					1	2	3	
28S/15259 28S/14314 28W/9416641	553014	PIECE, bridge, small bellows (PRE. MOD. 5BZ) ...	1	DTD.546				P 15
	558655	PIECE, bridge, complete (MOD. 5BZ) ...	1	—				
	A39/A10	Screw (PRE. MOD. 5BZ) ...	4	—			C	
	A39/A14	Screw (MOD. 5BZ) ...	4	—			C	
	SP47/A	Washer ...	4	—			C	
	558654	PLATE, backing (MOD. 5BZ) (PRE. AMDT. 8BZ).	1	L.65				
28S/16664	557794	PLATE, orifice, at main bellows ...	1	BS.265				P 15
	A26/1A	Bolt (PRE. MOD. 5BZ) ...	2	—				
	A37/A10	Screw (MOD. 5BZ) ...	2	—			C	
	553019	PLATE, orifice, core adapter (PRE. MOD. 6BZ) ...	1	S.85				P 15
	553239	PLUG, adjusting screw access ...	1	L.64				
	SP910B/5	RING—DOWTY ...	2	—				
	SP910/6	RING—DOWTY (PRE. MOD. 6BZ) ...	2	—				
	SP910B/7	RING—DOWTY ...	1	—				
	SP11/26	RING—DOWTY ...	2	—				
	SP916/28	RING—DOWTY (was 1 off PRE. MOD. 5BZ) ...	2	—				
	553021	SCREW, adjusting valve (PRE. MOD. 5BZ)	1	BS.249				
	558653	SCREW, adjusting valve (MOD. 5BZ) (PRE. AMDT. 8BZ).	1	BS.249				
	559089	SCREW, adjusting valve (AMDT. 8BZ) ...	1	—				
	553002	SEAT, valve assembly ... Spares for:—	1	—				P 15
	553003	BEARING, bellows guide (AMDT. 11BZ) ...	2	BS.369				P 15
	559081	STUD ...	1	—				P 16
	553026	TUBE, distance bellows guide (AMDT. 11BZ)...	1	L.65				P 15
	553022	SPRING, valve ...	1	DTD.215				P 15
	553026	TUBE, distance, bellows guide (PRE. AMDT. 11BZ)	1	L.65				P 15
	553007	VALVE, inward relief, complete ...	1	—				P 15
	557088	WASHER ...	1	EN.42				P 15
	558706	WASHER (MOD. 6BZ) ...	1	BSS.216				P 15

VALVES, RELIEF

Ref. No.	Part No.	Description	No. Off	Matl. Spec.	CL. OF ST.			Plate No.
					1	2	3	
1393	513470	VALVE, CABIN RELIEF ... ..	1	—	A			P 17
		Spares for :—						
	556108	ATTACHMENT, cover ... ..	1	L.59				P 17
	556109	ADJUSTER, load ... ..	1	L.65				P 17
	556651	BODY, valve ... ..	1	L.51				P 17
	556113	CARRIER, spring, complete ... ..	1	—				P 17
	556003	CASTOR assembly ... ..	3	—				P 17
		Spares for :—						
	R 1/8"	BEARING, BMB full race, 'grade 5' ... ..	6	—				P 18
	556004	CASTOR ... ..	3	L.65				P 18
	551012	PIN (PRE. AMDT. 10AX) ... ..	6	S.80				P 18
	560088	PIN (AMDT. 10AX) ... ..	6	S.80				P 18
	5115/9/MF	RING, retaining — TRUARC ... ..	6	—				P 18
	551693	SHIELD, bearing ... ..	12	S.80				P 18
	553185	TYRE ... ..	6	S.80				P 18
1741	556112	GAUZE, complete ... ..	1	—	C			P 17
	551024	HEAD, valve, complete ... ..	1	—				P 17
	556652	HOUSING, bearing, assembly ... ..	1	—				P 17
		Spares for :—						
	06/DU/08	BUSH — GLACIER ... ..	2	—				P 18
	5000/68/MF	RING, retaining — TRUARC ... ..	1	—				P 18
	556107	SPACER ... ..	2	L.65				P 18
	553192	WASHER ... ..	1	L.65				P 18
28D/12985	A25/25C	Bolt ... ..	6	—	C			
28M/13124	A27/CT	Nut ... ..	6	—	C			
28S/2808	A33/C12	Screw ... ..	6	—	C			
28W/9416643	SP47/C	Washer ... ..	6	—	C			
	551025	LUG ... ..	3	S.80				P 17
28M/13124	A27/CT	Nut ... ..	3	—	C			
28W/9419454	SP10/C	Washer ... ..	3	—	C			
28W/9416643	SP47/C	Washer, lock ... ..	3	—	C			
	556105	NAMEPLATE ... ..	1	L.4				P 17
28S/14822	A31/C10	Screw ... ..	3	—	C			
28W/9416643	SP47/C	Washer ... ..	3	—	C			
	551011	PIN, hinge ... ..	3	S.80				P 17
	5101/9/MF	RING, retaining — TRUARC ... ..	6	—				P 17
	556650	SEAT, valve, complete ... ..	1	—				P 17
28S/14548	A33/C10	Screw ... ..	3	—	C			
	556649	SPRING ... ..	1	DTD.215				P 17



VALVES, RELIEF

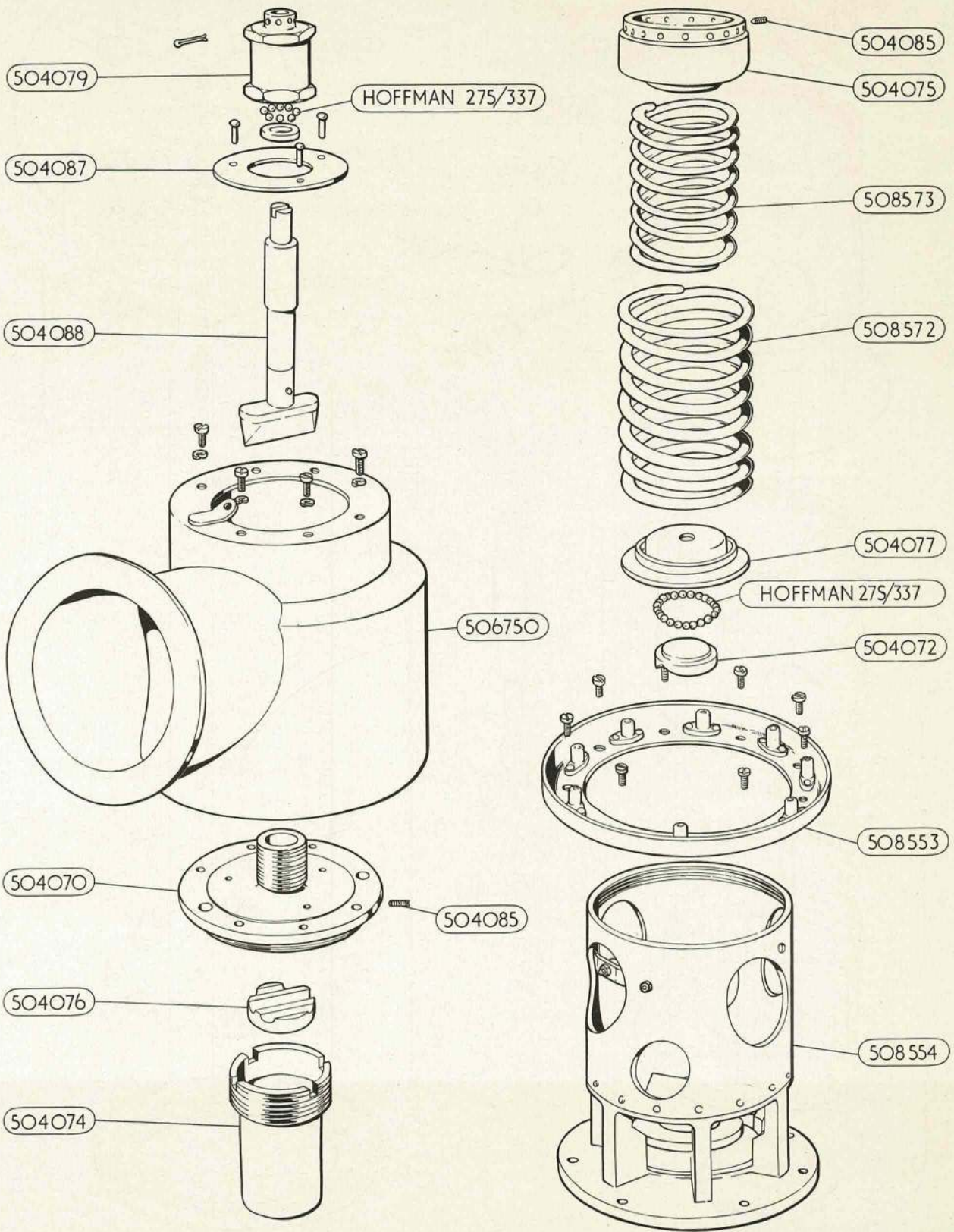
Ref. No.	Part No.	Description	No. Off	Matl. Spec.	CL. OF			Plate No.
					ST.	M.R.	L.M.	
		1 2 3 4 5						
	518910	VALVE, RELIEF ... ..	1	—				P 19
		Spares for :—						
	559478	GASKET ... ..	2	RUBBER				P 19
	559477	HOUSING, valve, complete ... ..	1	—				P 19
	559502	HOUSING, end ... ..	1	L.64				P 19
28M/10318	AGS.2002/B3	Nut ... ..	4	—			C	
28S/14317	A31/B36	Screw ... ..	4	—			C	
28W/14456	SP11/B	Washer ... ..	4	—			C	
	554493	HOUSING, valve ... ..	1	L.65				P 19
	OP.15268	LABEL ... ..	1	MET-CAL				
	559482	PLATE, valve mounting, complete ... ..	1	—				P 19
28S/14948	A41/C14	Screw ... ..	3	—			C	
	554495	SCREW, spring adjusting ... ..	1	L.65				P 19
28M/13324	A29/CP	Nut ... ..	1	—			C	
	554496	SUPPORT, spring ... ..	1	L.64				P 19
	554593	SPRING ... ..	1	DTD.18A				P 19
	554494	VALVE ... ..	1	—				P 19
28D/10318	AGS.2002/B3	Bolt ... ..	1	—			C	
28W/9419401	SP10/B	Washer ... ..	1	—			C	
	28D/13002	Bolt, shipping ... ..	6	—			C	
28W/9419474	SP15/C	Washer, shipping ... ..	6	—			C	

Ref. No.	Part No.	Description					No. Off	Matl. Spec.	CL. OF	Plate No.
		1	2	3	4	5			ST.	

VALVES, RELIEF

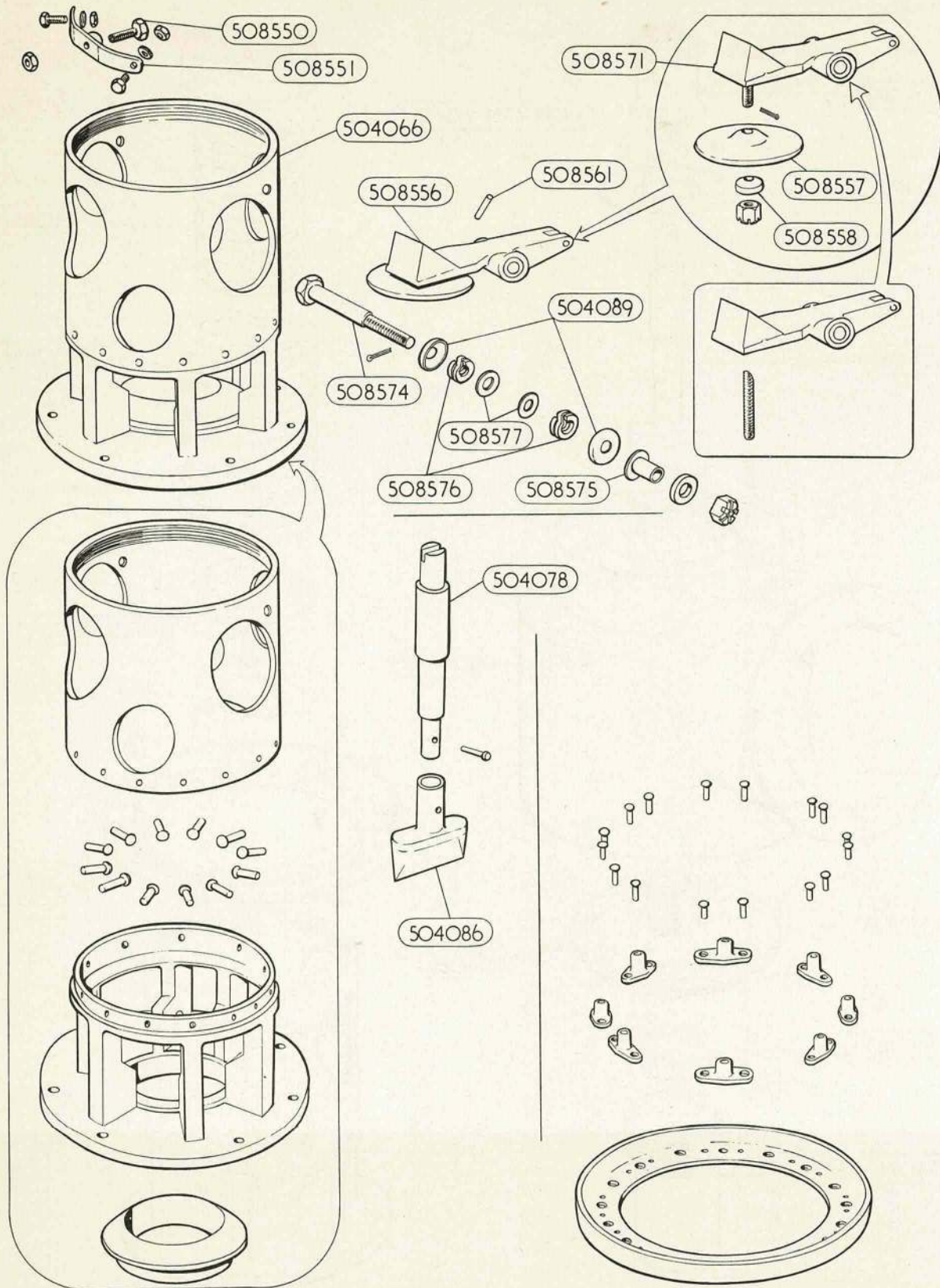
Ref. No.	Part No.	Description	No. Off	Matl. Spec.	CL. OF ST.			Plate No.
					1	2	3	
626	509180	VALVE, INWARD RELIEF 6.100" ... ..	1	—	A			P 20
		Spares for:—						
	505396	BOLT, adjusting ... ..	3	S.94				P 20
28M/13124	A27/CT	Nut, lock ... ..	3	—	C			
28F/9429636	AGS.1186/3	Washer, sealing ... ..	3	—	C			
	505890	HOSE, threaded ... ..	3	S.96				P 20
	505889	GUARD, stop ... ..	1	L.65				P 20
28P/12262	SP9/E6	Pin, split ... ..	1	—	C			
28M/10222	AGS.2008/B2	Nut, anchor ... ..	4	—	C			
28S/6472	A33/46	Screw ... ..	8	—	C			
	505895	HEAD, valve assembly ... ..	1	—				P 20
		Spares for:—						
	505897	HEAD, valve ... ..	1	—				P 20
	505896	PLATE, hinge ... ..	1	L.64				P 20
28S/3420	A33/B8	Screw ... ..	3	—	C			
	505894	HINGE, eye ... ..	2	S.96				P 20
28S/2808	A33/C12	Screw ... ..	2	—	C			
	500715	NAMEPLATE (R.N.) ... ..	1	L.4	C			P 20
529	500715	Screw ... ..	3	—	C			
28S/6470	2R 3/16"							
	550899	PAD, stop ... ..	3	S.61				P 20
	505892	PIN, hinge ... ..	1	S.61				P 20
28P/12587	SP9C/4	Pin, split ... ..	2	—	C			
28W/9419475	SP15/C	Washer ... ..	2	—	C			
718	505998	RING, valve seating, complete ... ..	1	—	C			P 20
	505902	SEATING, valve ... ..	1	L.124				P 20
	550279	SLEEVE, spring ... ..	1	L.64				P 20
	550898	SPACER ... ..	1	L.64				P 20
	550797	SPRING, R.H. ... ..	1	DTD.215				P 20
	550796	SPRING, L.H. ... ..	1	DTD.215				P 20

Ref. No.	Part No.	Description					No. Off	Matl. Spec.	CL. OF	Plate No.
		1	2	3	4	5			ST. M.R. L.M.	

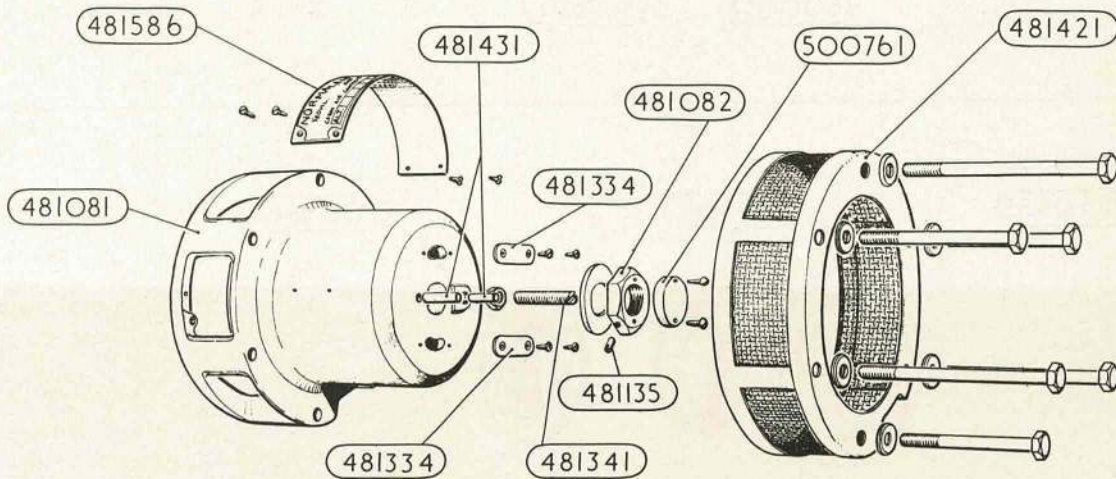
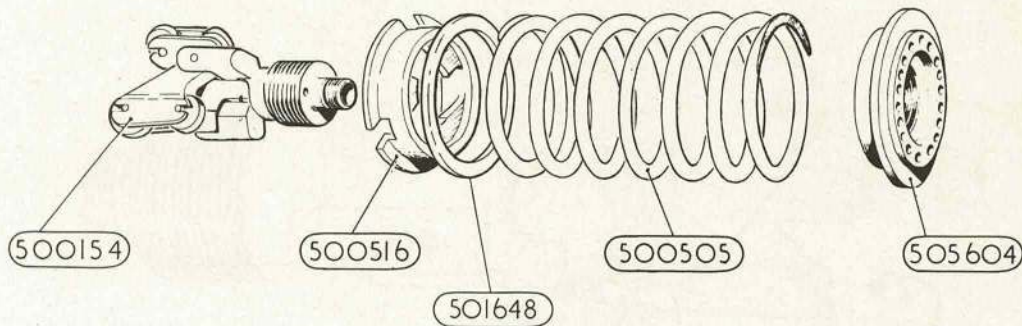
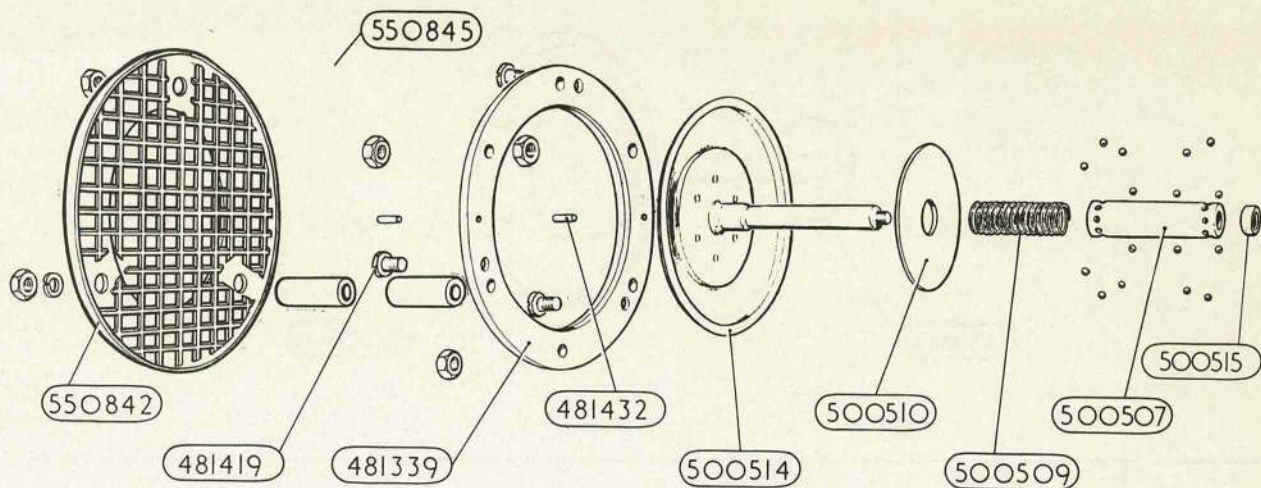


VALVE, RELIEF TYPE 55

PLATE P2

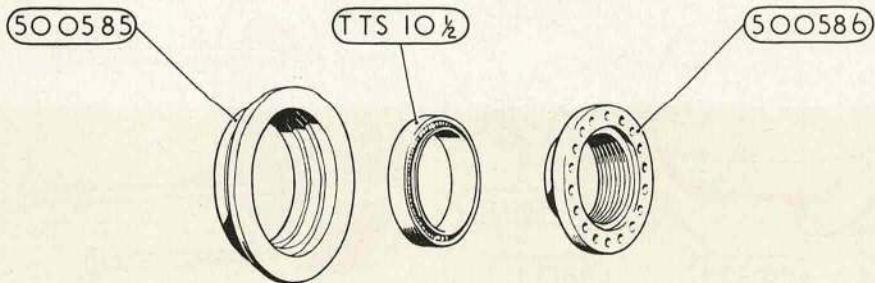
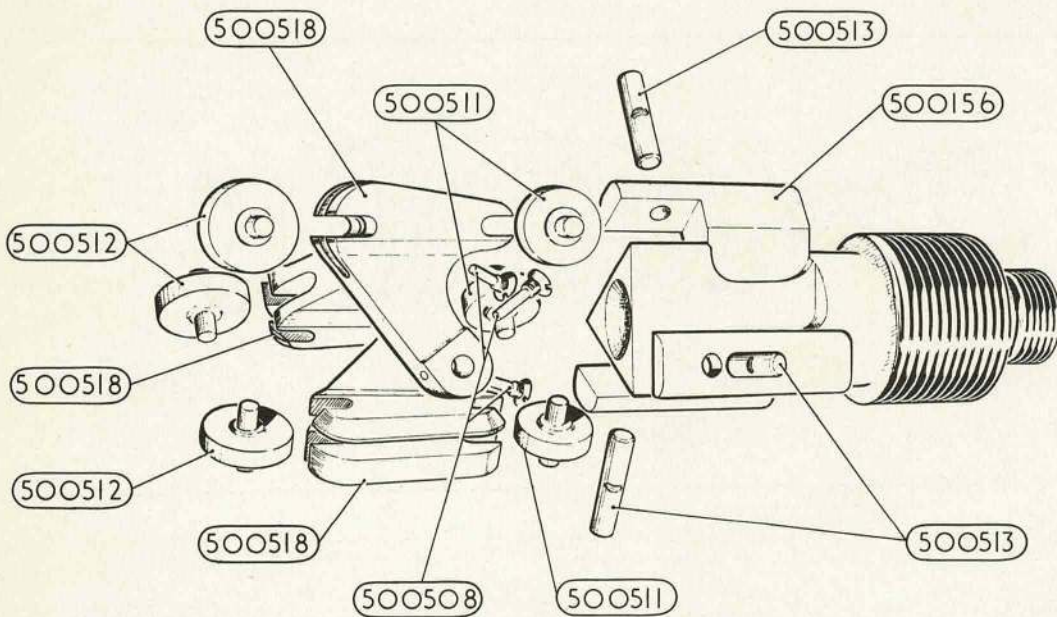
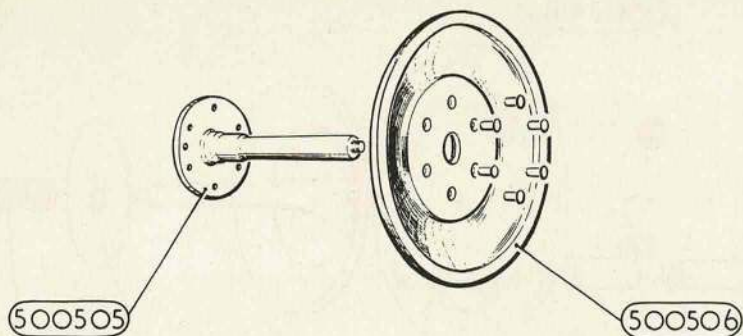


ASSEMBLIES VARIOUS

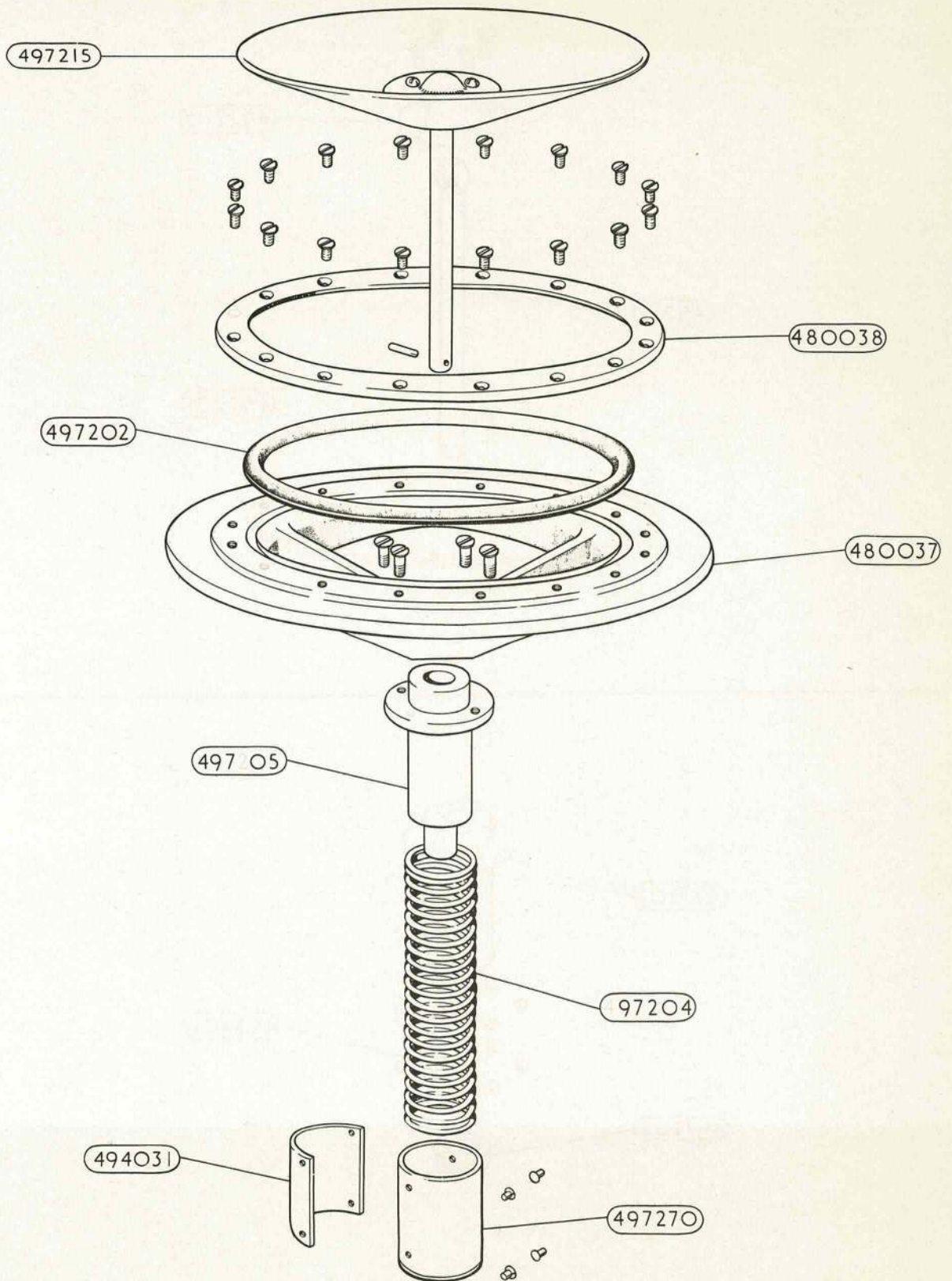


VALVE, RELIEF

PLATE P4

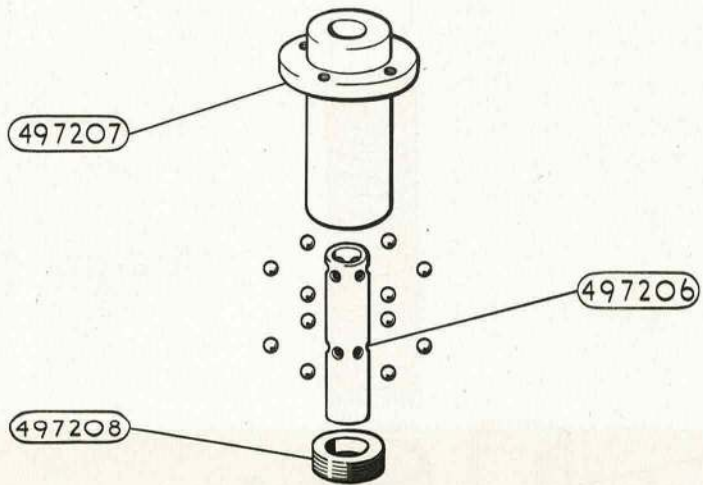
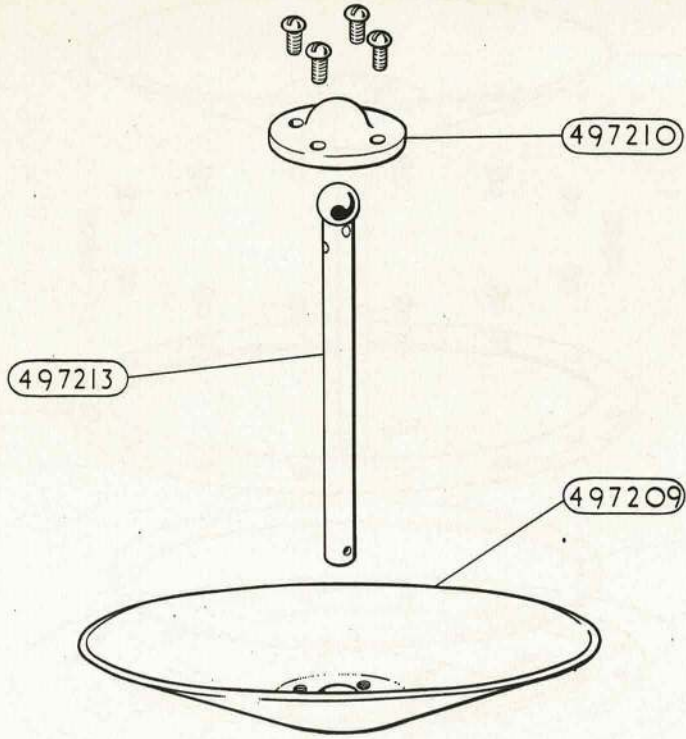


ASSEMBLIES, VARIOUS

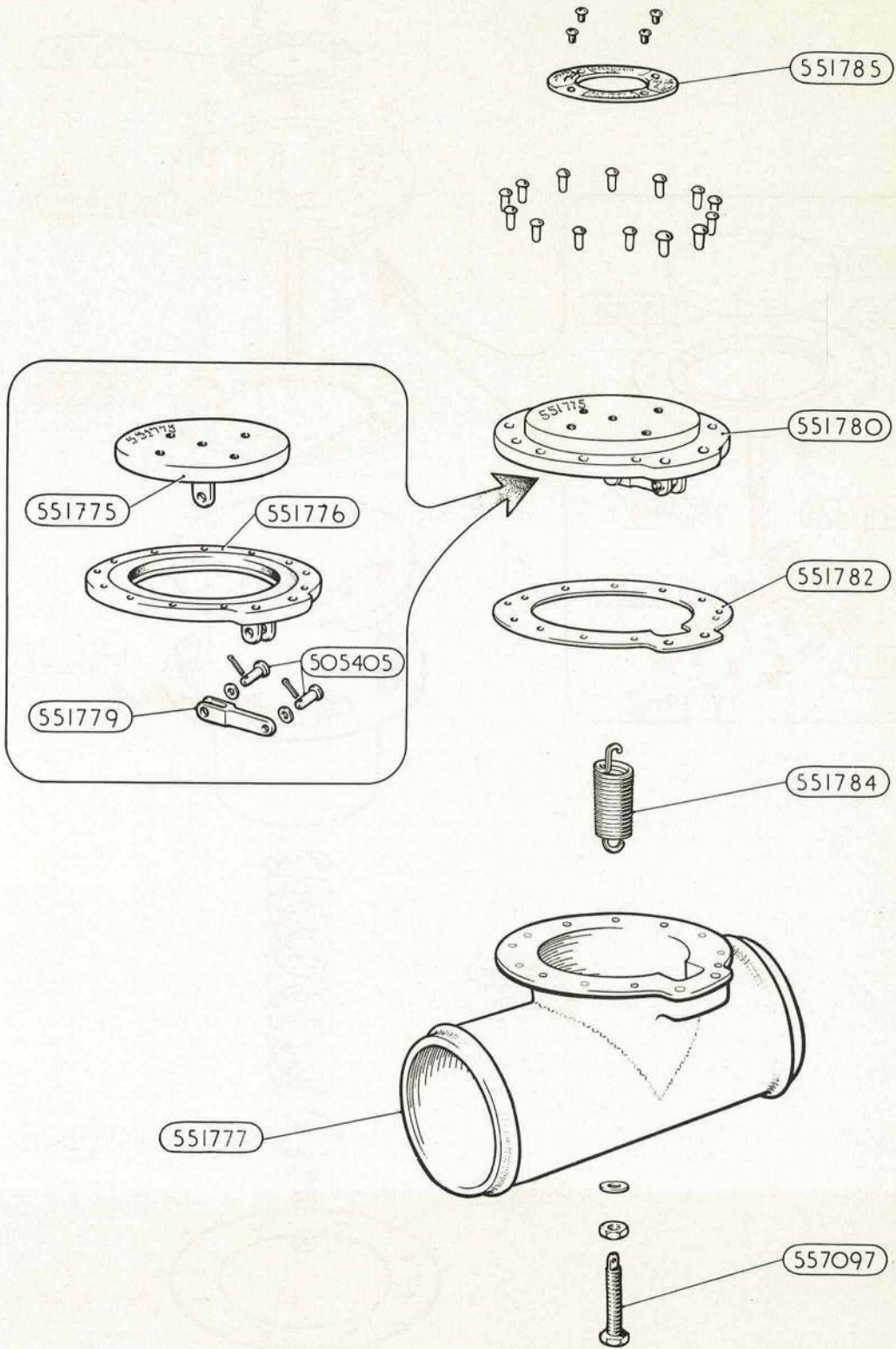


VALVE INWARD RELIEF

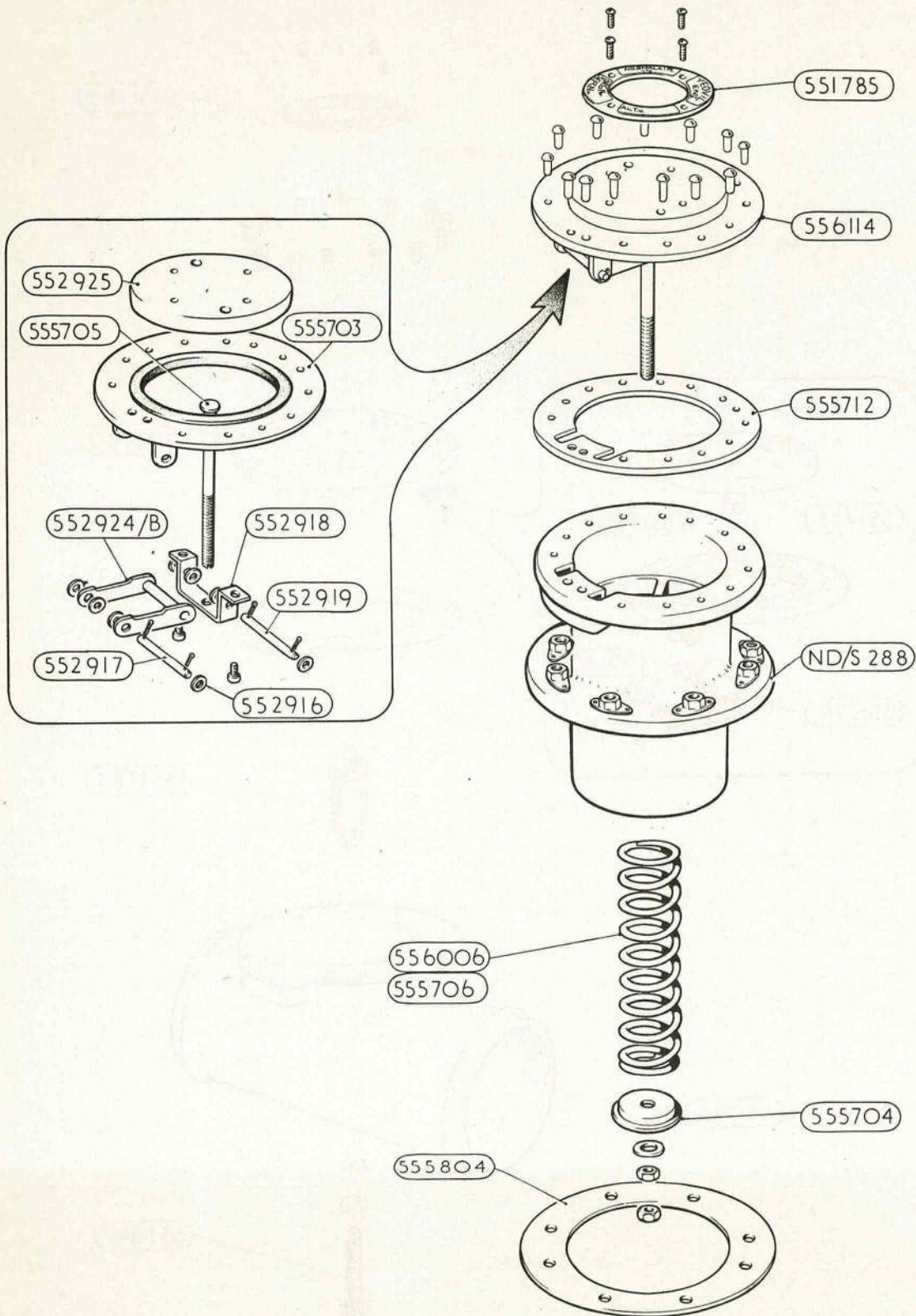
PLATE P 6



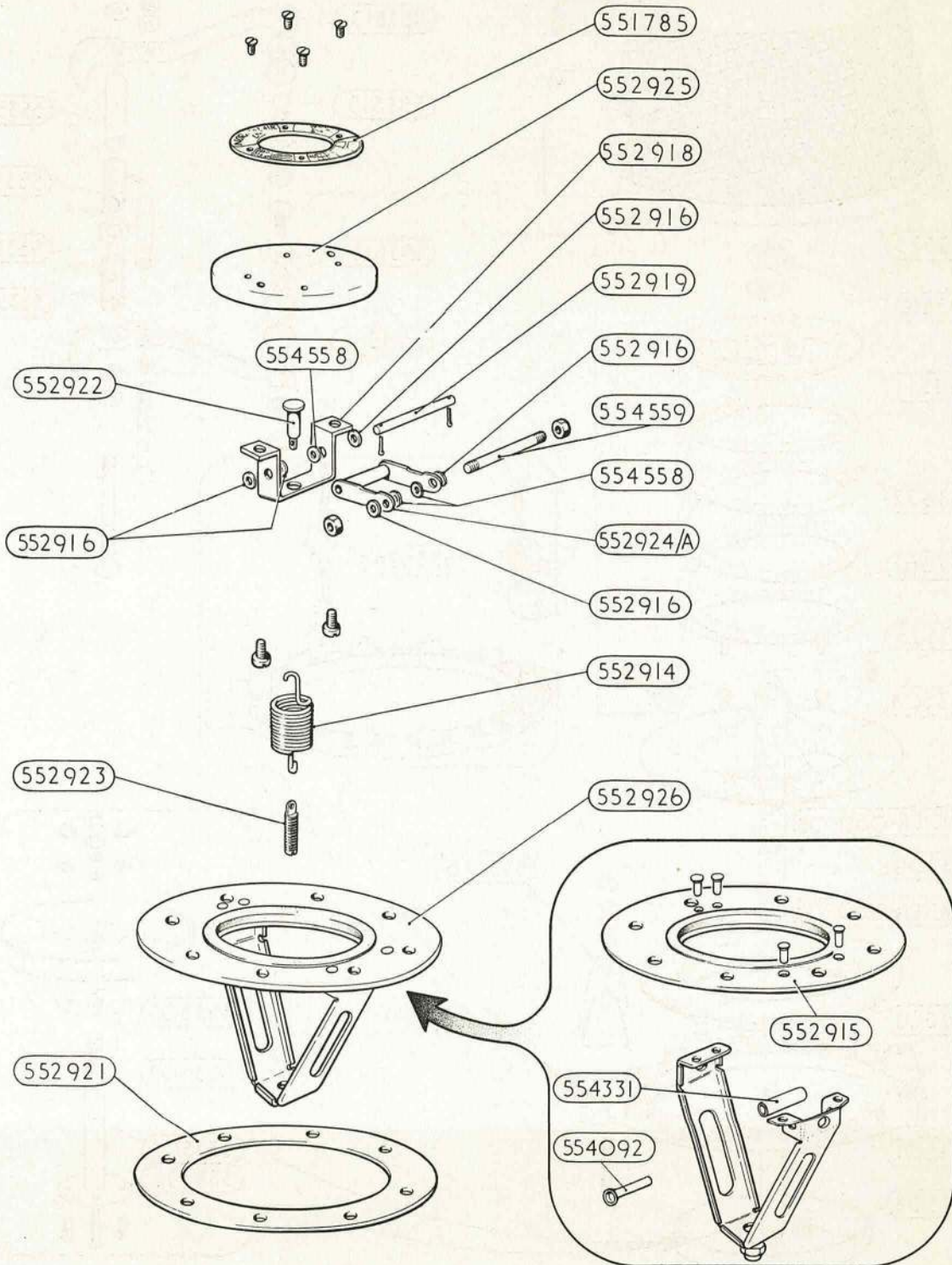
ASSEMBLIES, VARIOUS



VALVE, RELIEF

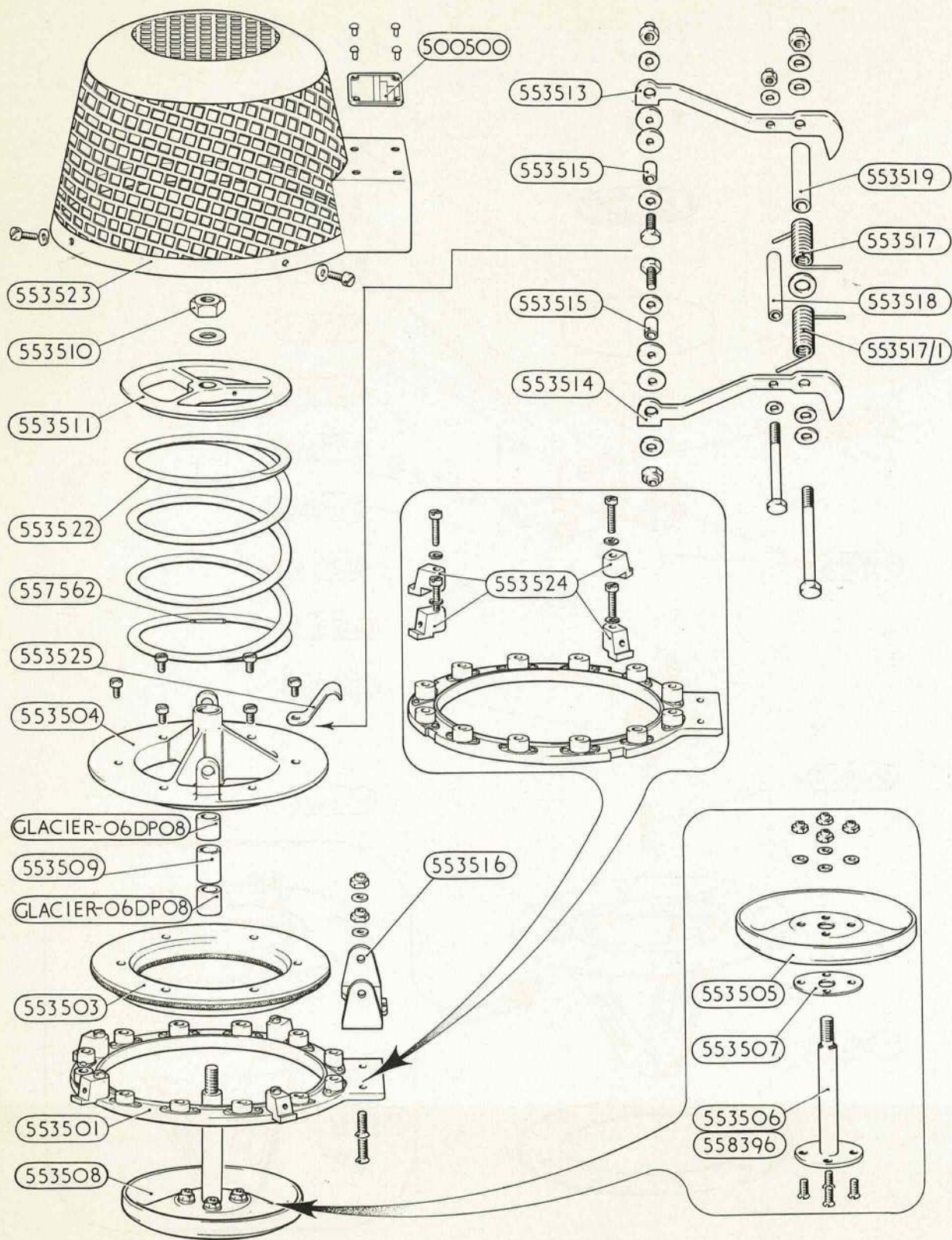


VALVE, RELIEF

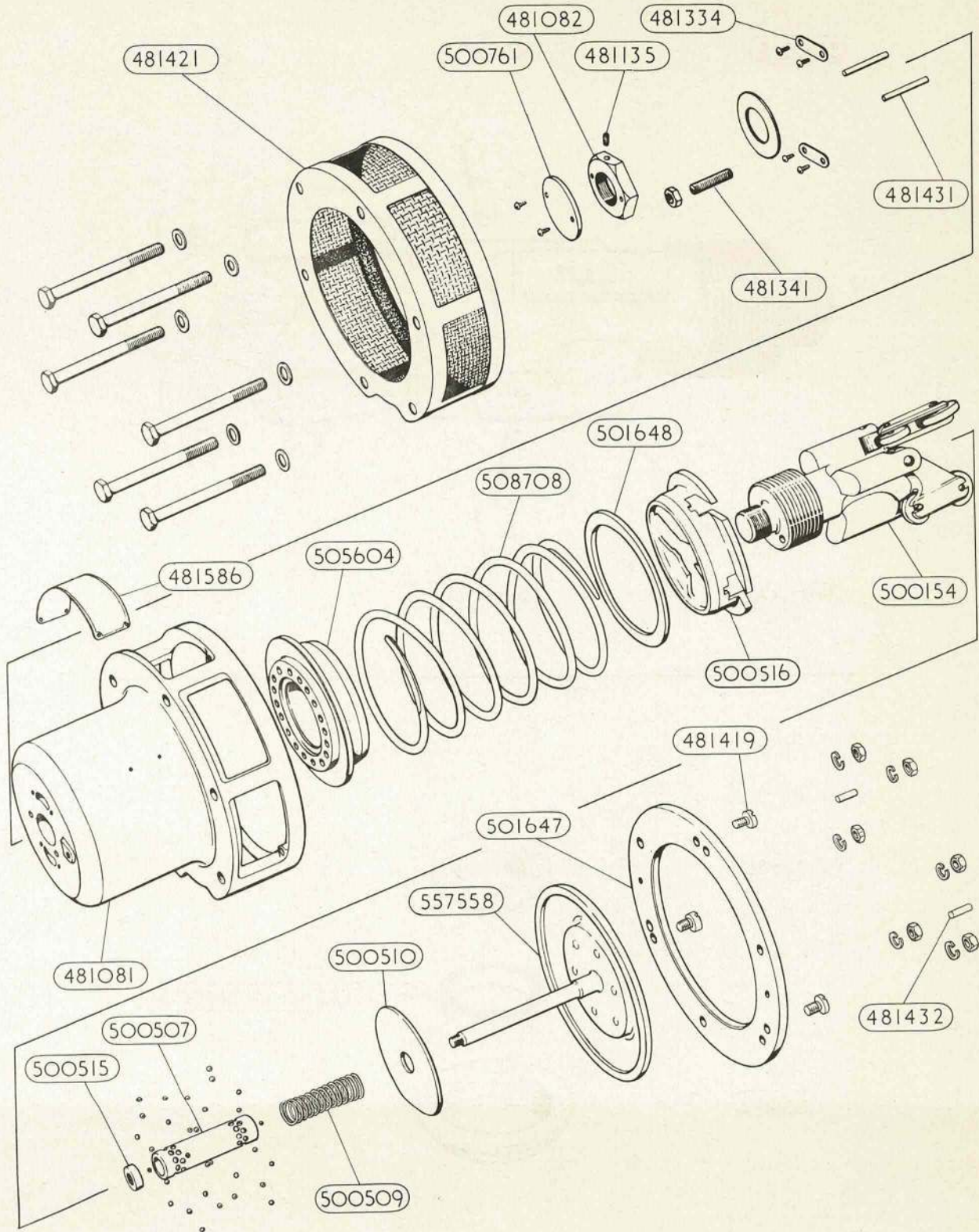


RELIEF VALVE

PLATE. P10

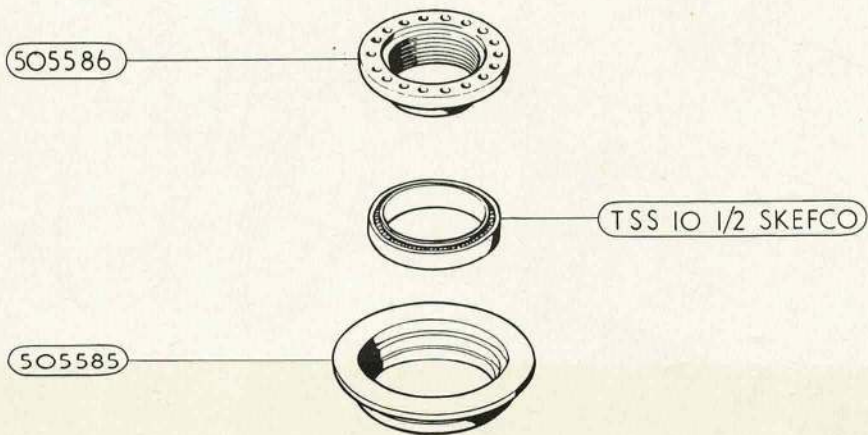
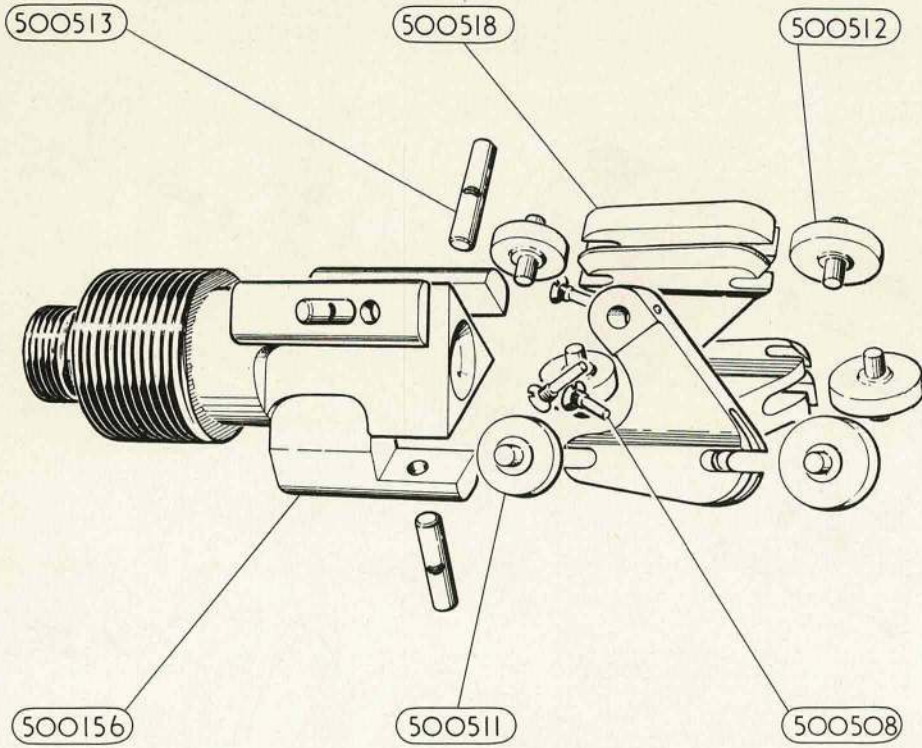


VALVE RELIEF.



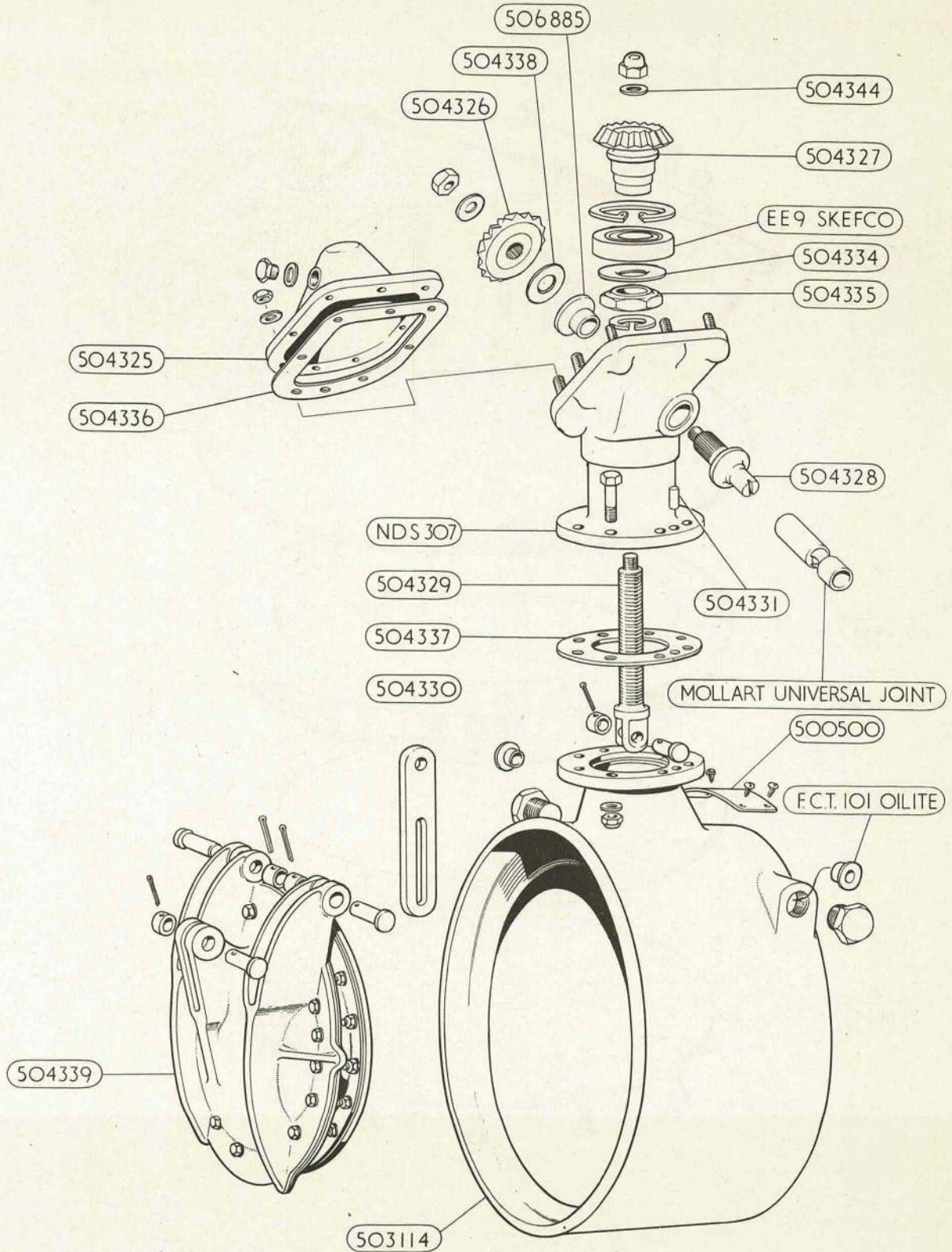
VALVE, RELIEF

PLATE P12



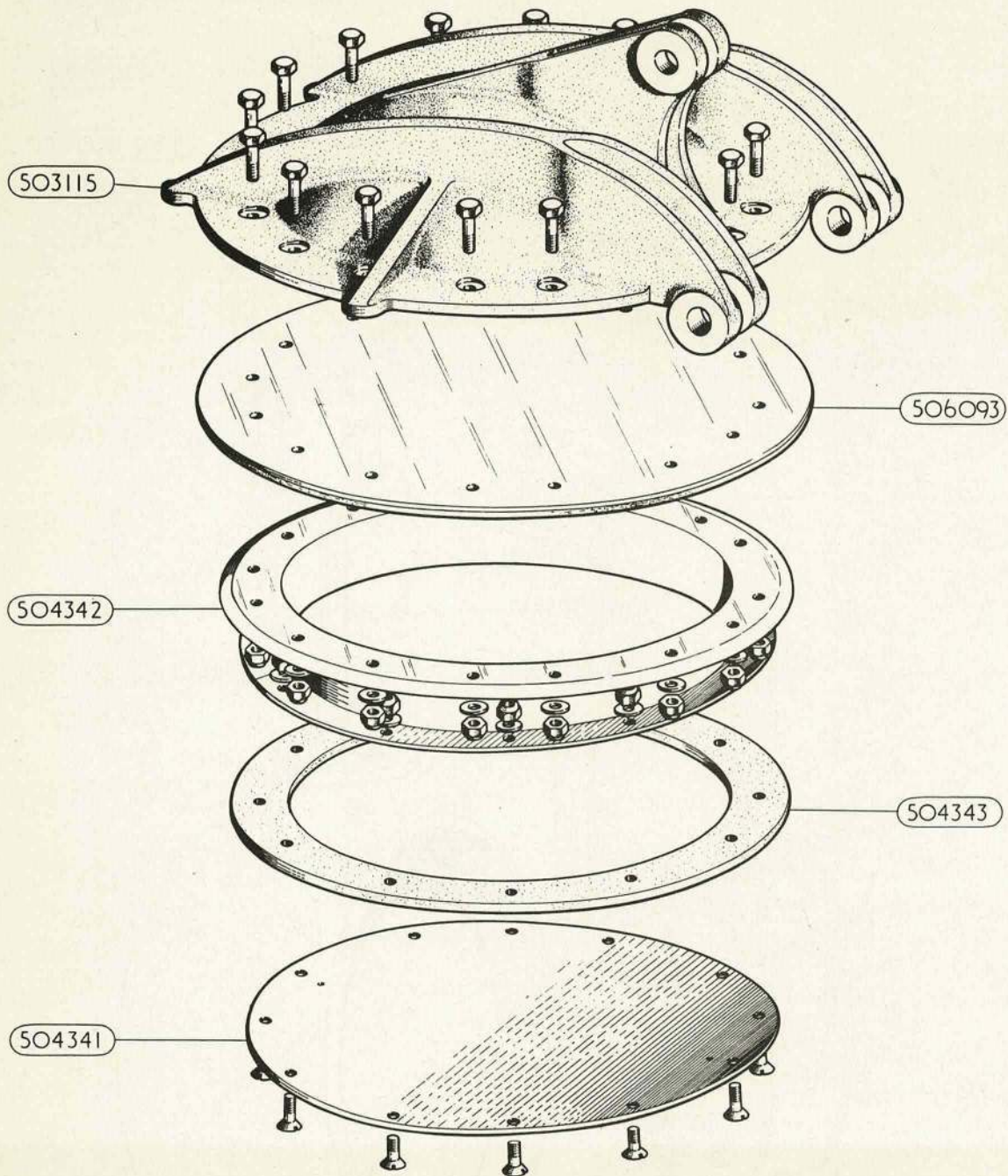
ASSEMBLIES, VARIOUS

PLATE P13

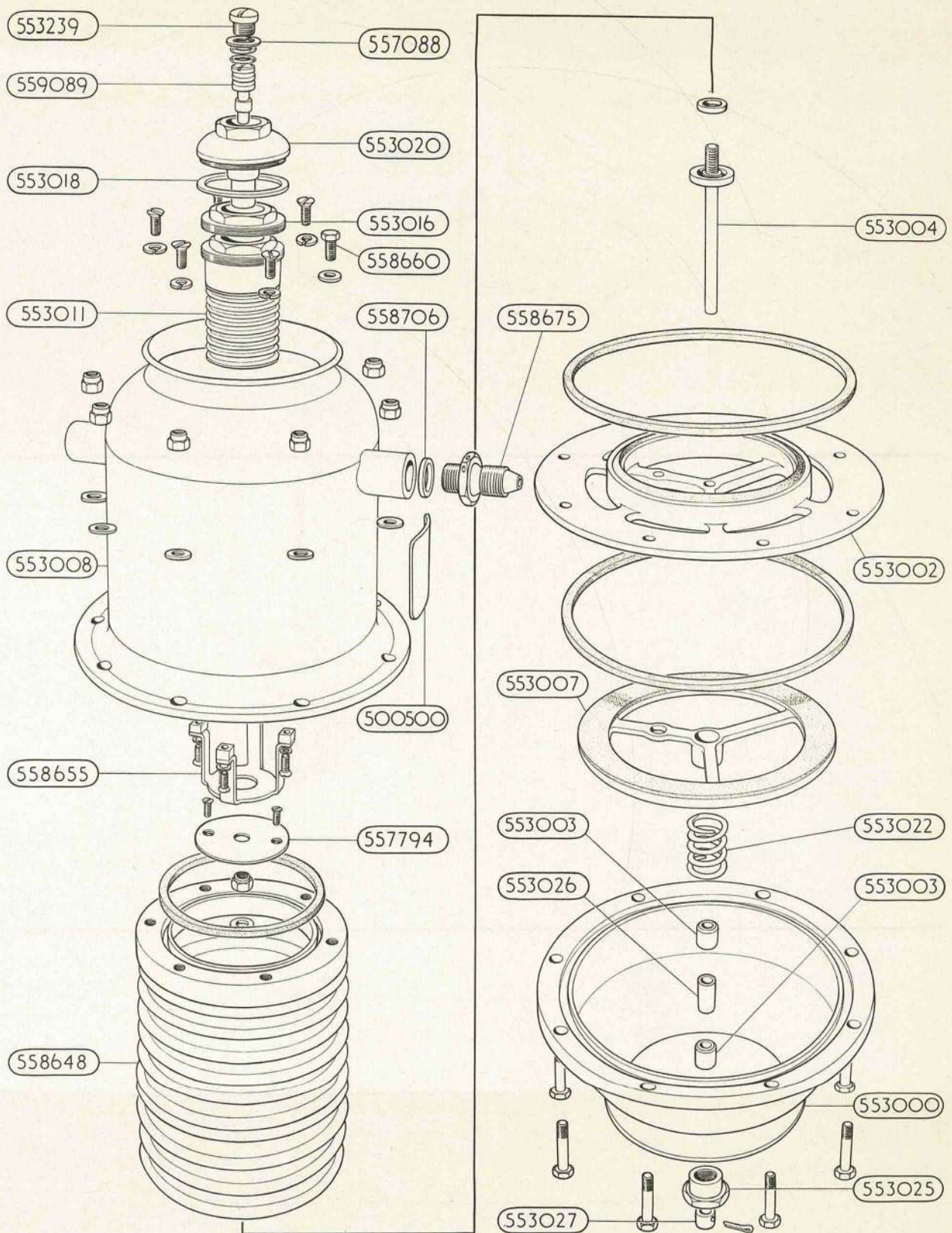


VALVE ,INWARD RELIEF

PLATE P14

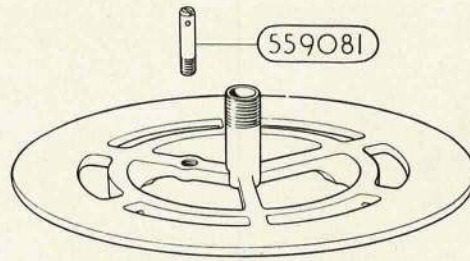


ASSEMBLIES, VARIOUS



VALVE, RELIEF, INWARDS & OUTWARDS

P16



---

NDS123



558672

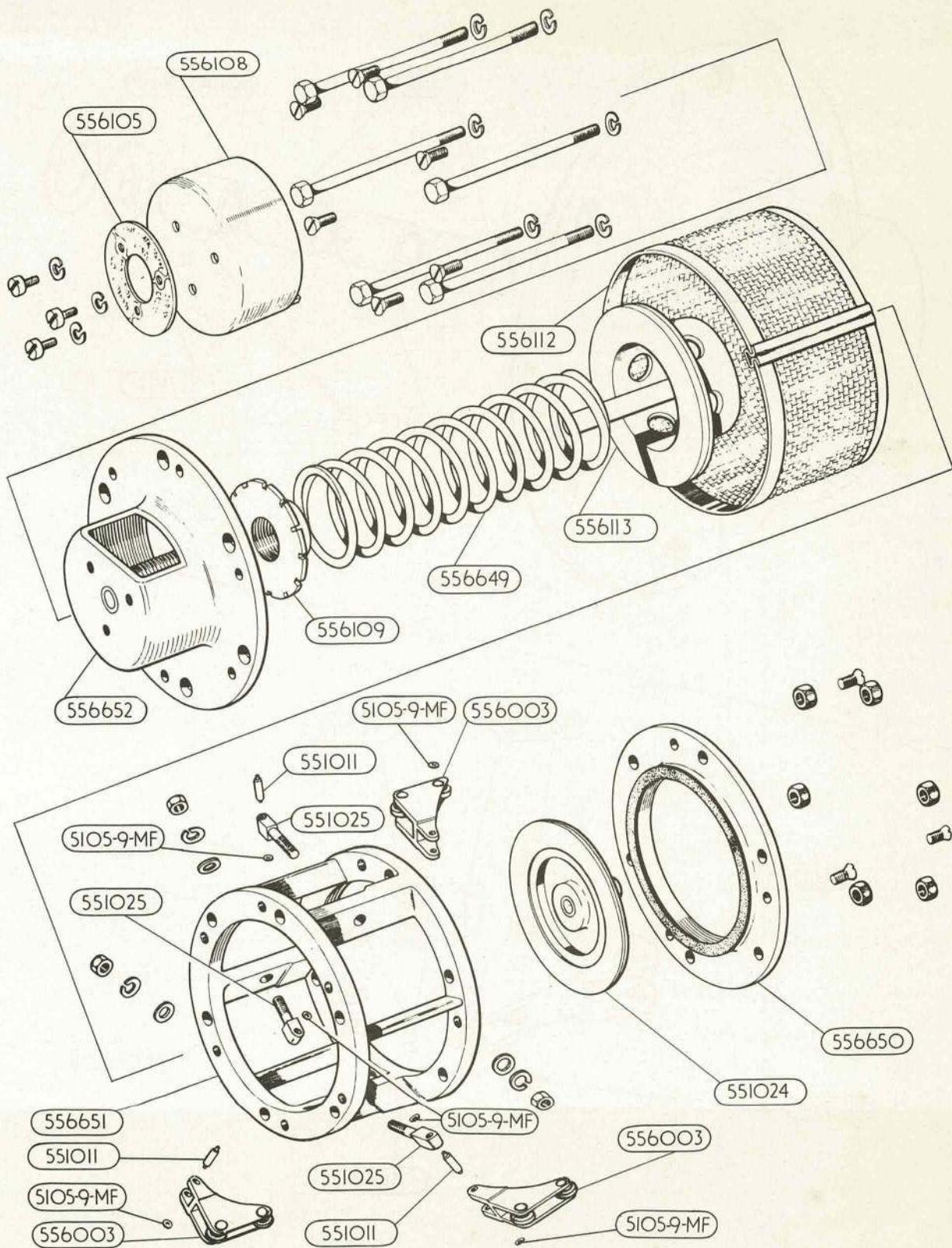


558674



5000-37-W

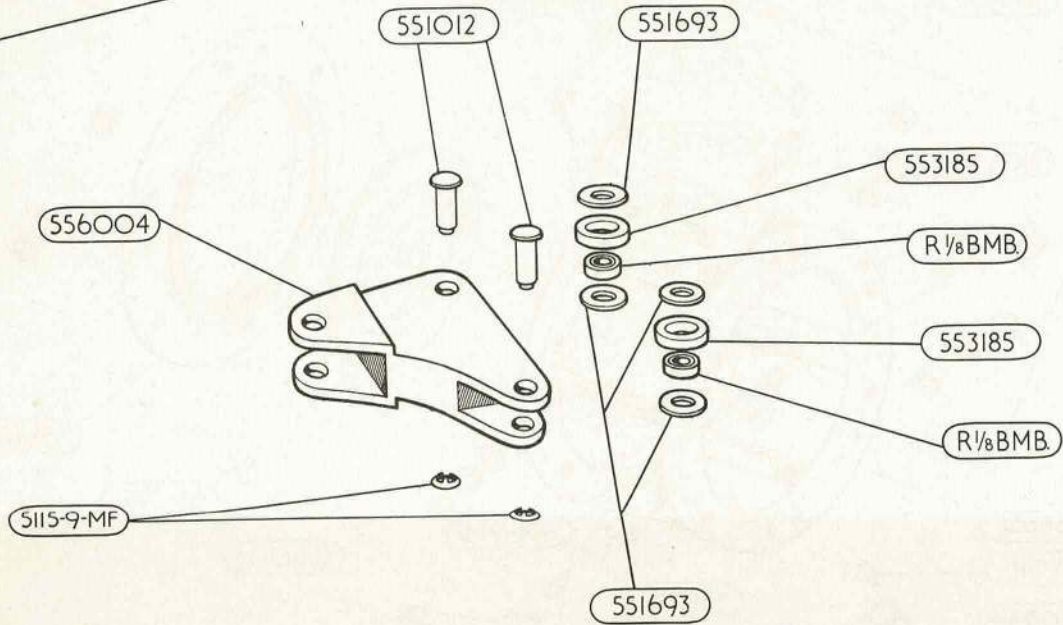
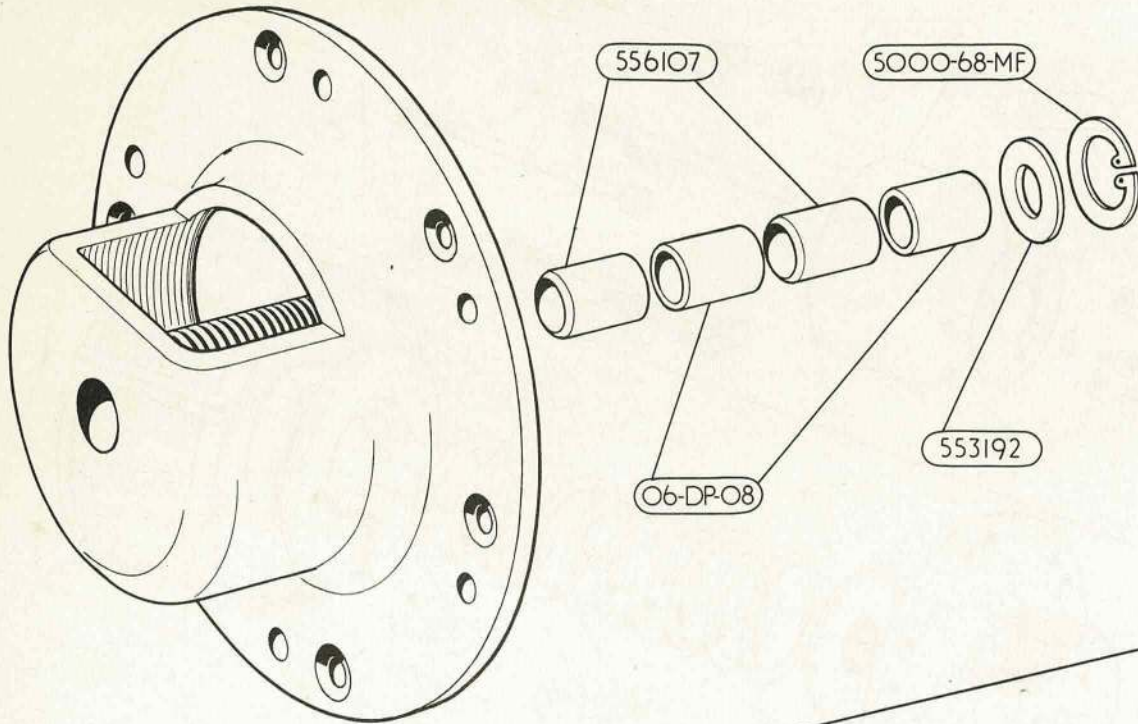
ASSEMBLIES, VARIOUS



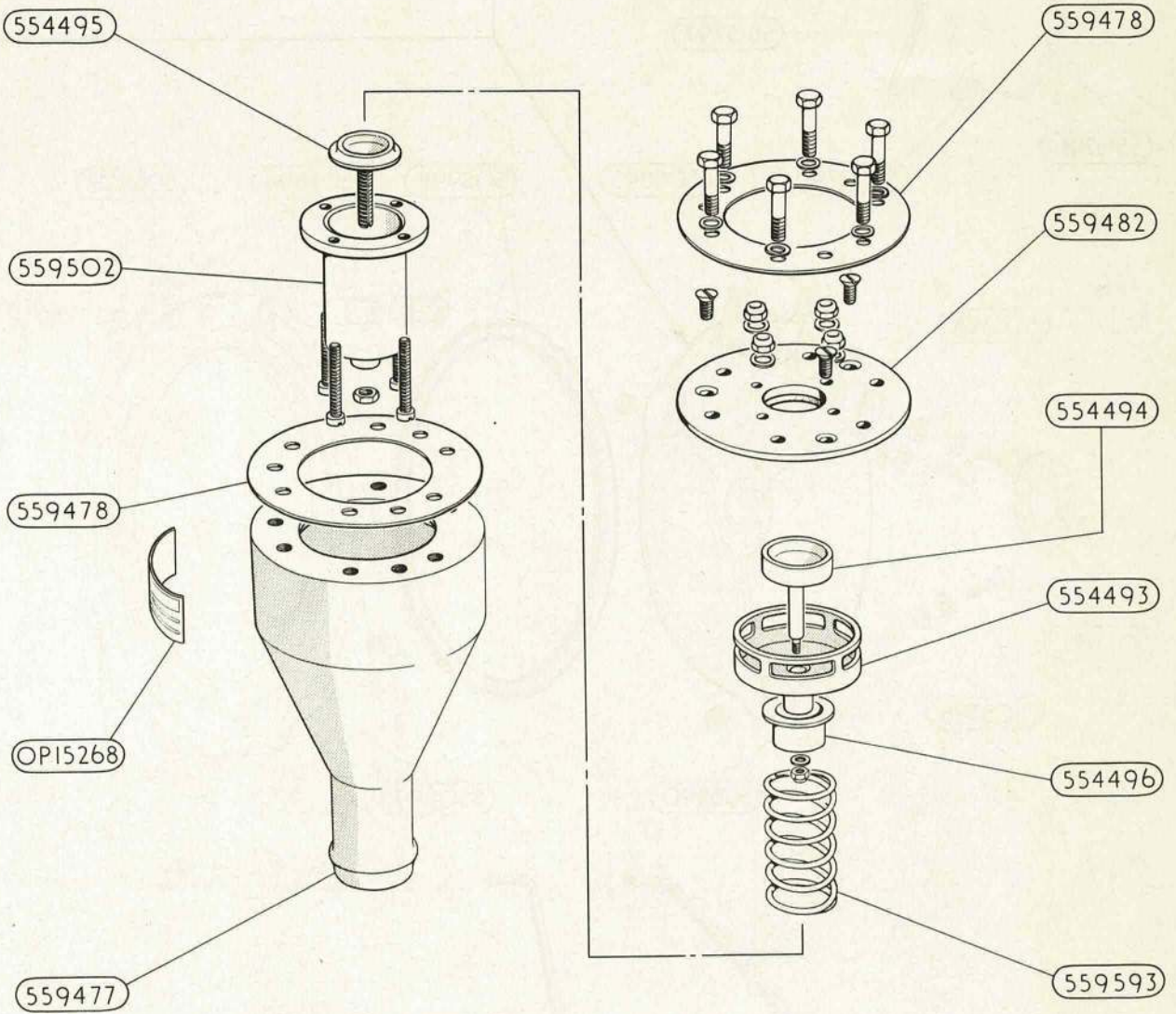
VALVE, RELIEF.

ISSUED WITH AL5

PLATE P18

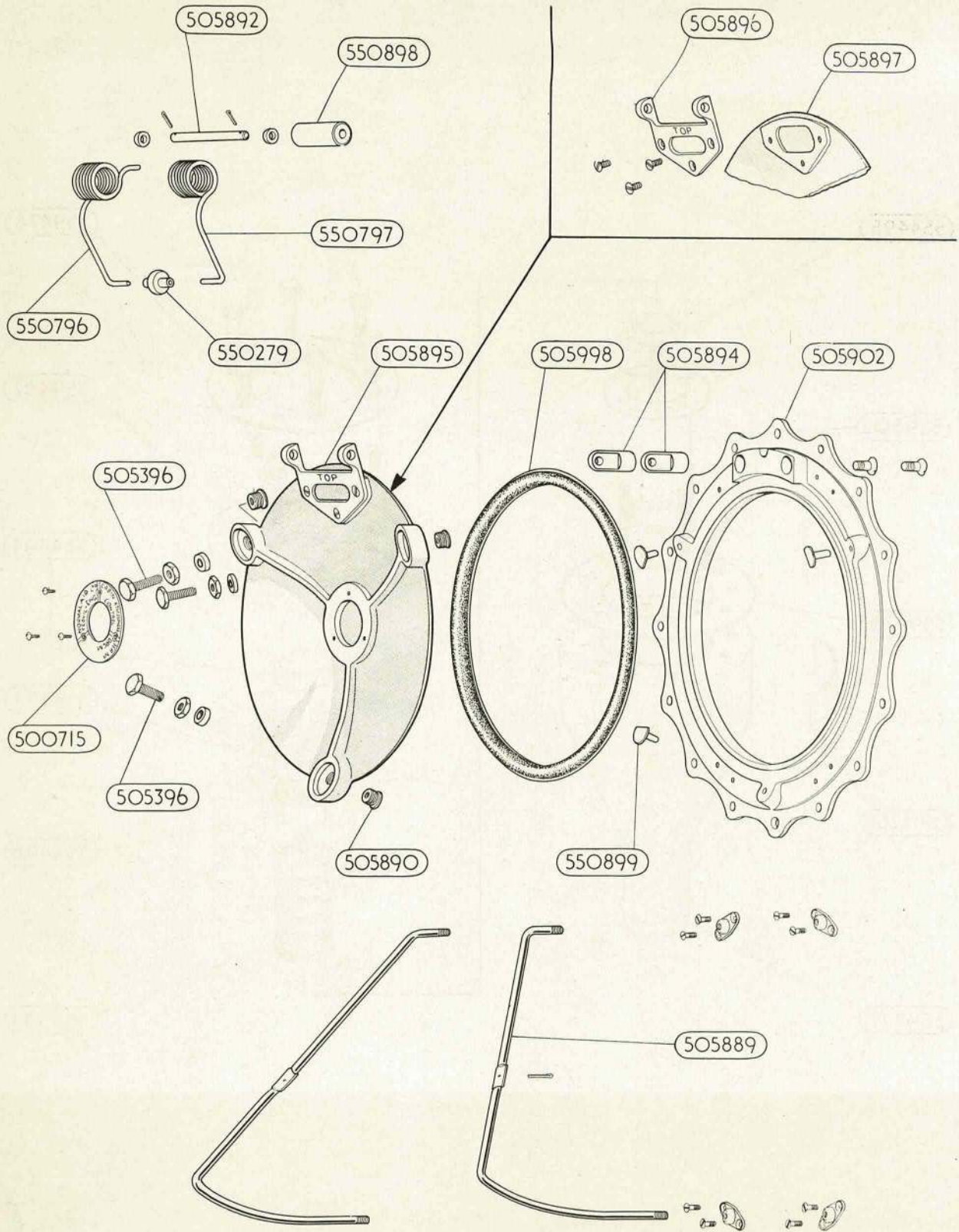


ASSEMBLIES, VARIOUS.



VALVE, RELIEF

PLATE P20



VALVE, RELIEF

This file was downloaded  
from the RTFM Library.

Link: [www.scottbouch.com/rtfm](http://www.scottbouch.com/rtfm)

Please see site for usage terms,  
and more aircraft documents.

