

VALVES, SHUT-OFF

Q

TYPE / APPLICABILITY																
Section Q — VALVES, SHUT OFF																
ACCESSORY :- VALVE, SHUT OFF 504230																
AIRCRAFT	MK	No. OFF	MK	No. OFF	MK	No. OFF	MK	No. OFF	MK	No. OFF	MK	No. OFF	MK	No. OFF	MK	No. OFF
SWIFT	5	2	7	2												
VALVE, SHUT OFF 510370																
SWIFT SCIMITAR	5	2 1	7	2												
VALVE, SHUT OFF 510510																
SCIMITAR		1														
VALVE, SHUT OFF 512760																
VULCAN	1	1	2	1												

TYPE / APPLICABILITY

Section Q — VALVES, SHUT OFF

ACCESSORY :- VALVE, 2.00" RAM AIR SHUT OFF 513490

AIRCRAFT	MK	No. OFF	MK	No. OFF	MK	No. OFF	MK	No. OFF	MK	No. OFF	MK	No. OFF	MK	No. OFF	MK	No. OFF
SEA VIXEN		1														

VALVE, SHUT OFF 505980

LIGHTNING		1														
-----------	--	---	--	--	--	--	--	--	--	--	--	--	--	--	--	--

VALVE, SHUT OFF 520210

LIGHTNING	2	1														
-----------	---	---	--	--	--	--	--	--	--	--	--	--	--	--	--	--

VALVE, SHUT OFF 520210

--	--	--	--	--	--	--	--	--	--	--	--	--	--	--	--	--

VALVES, SHUT OFF

Ref. No.	Part No.	Description	No. Off	Matl. Spec.	CL. OF ST.		Plate No.
					M.R.	L.M.	
32	504230	VALVE, SHUT OFF, 1-000" (PRE. MOD. 3AJ) ...	1	—	A		Q1
589	510370	VALVE, SHUT OFF, 1-000" (MOD. 3AJ) ...	1	—	A		Q1
		Spares for:—					
5W/389	C.5517/2	ACTUATOR — ROTAX ...	1	—	A		Q1
377	504577	COUPLING, actuator, complete (PRE. AMDT. 7AJ).	1	—	C		Q1
1408	504238	COUPLING, actuator, complete (AMDT. 7AJ) ...	1	NIMONIC	C		
	504481	COUPLING, insulating (PRE. AMDT. 7AJ) ...	1	S.80			Q1
1409	557250	COUPLING, insulating (AMDT. 7AJ) ...	1	—	C		
	504235	MOUNTING, actuator ...	1	L.40			Q1
28D/9294	AS.1242/5B	Bolt ...	4	—	C		
28L/13140	A27/BT	Nut ...	4	—	C		
28S/2785	A31/B28	Screw ...	4	—	C		
28S/2809	A33/B12	Screw ...	4	—	C		
28L/9419448	AGS.2035/B	Washer ...	8	—	C		
1011	502599	NAMEPLATE (MOD. 3AJ) (R.N.) ...	1	BS.265	C		Q1
	504234	PLATE, cover (PRE. MOD. 3AJ) ...	1	DTD.171A			Q1
1010	504226	PLATE, washer (R.N.) ...	4	DTD.124A	C		Q1
359	504237	RING, insulating ...	2	HALLITE	C		Q1
484	504135	VALVE assembly (PRE. MOD. 3AJ) ...	1	—	A		Q1
		Spares for:—					
1006	502595	BALL (R.N.) ...	1	DTD.412	C		Q2
	503257	BODY ...	1	DTD.525			Q2
28D/12536	A25/13C	Bolt ...	4	—	C		
28M/10339	AGS.2002/C2	Nut ...	4	—	C		
28W/9419402	SP13/C	Washer ...	4	—	C		
	504558	GASKET ...	1	HALLITE			Q2
1011	502599	NAMEPLATE (R.N.) ...	1	BS.265	C		Q2
	N.D.	Packing, 5-200" long x 0-080" wide x 0-031" thick.	2	HALLITE			
	N.D.	Packing, 0-110" wide x 0-062" thick ...	AR	HALLITE			
	N.D.	Ring, 0-095" wide x 0-002" thick ...	1	BRASS			
1005	502597	SEATING, ball (R.N.) ...	2	DTD.525	C		Q2
	504228	SPINDLE ...	1	S.80			Q2
	504227	WASHER, thrust ...	1	BS.369			Q2
590	550661	VALVE, assembly (MOD. 3AJ) ...	1	—	A		Q1
		Spares for:—					
1006	502595	BALL (R.N.) ...	1	DTD.412	C		Q2
	551055	BODY ...	1	S.80			Q2
28D/12536	A25/13C	Bolt ...	4	—	C		
28M/10339	AGS.2002/C2	Nut ...	4	—	C		
28W/9419402	SP13/C	Washer ...	4	—	C		
1009	551051	NUT, bottom gland (R.N.) ...	1	BS.369	C		Q2
1008	551050	NUT, top gland (R.N.) ...	1	BS.369	C		Q2
	N.D.	Packing, 5-200" long x 0-080" wide x 0-031" thick.	2	HALLITE			

VALVES, SHUT OFF

Ref. No.	Part No.	Description					No. Off	Matl. Spec.	CL. OF ST.			Plate No.
		1	2	3	4	5			M.R.	L.M.		
28S/2809	551052	PLATE, cover					1	S.80				Q 2
	A33/B12	Screw					4	—	C			
	550018	RING, sealing					1	VEEMET				Q 2
	502597	SEATING, ball					2	S.80				Q 2
	551053	SPINDLE					1	S.80				Q 2
28S/16324	551054	STOP					1	S.80				Q 2
	A33/A4	Screw					1	—	C			
	N.D.	VIDAFLEX III, .157" bore, cut to suit on assembly JONES, STROUD.					4	—				Q 1
362	504219	WASHER					1	DTD.124A	C			Q 1
361	504225	WASHER					1	KLING.	C			Q 1
986	504236	WASHER					4	KLING.	C			Q 1
987	504366	WASHER					4	KLING.	C			Q 1

VALVES, SHUT OFF

Ref. No.	Part No.	Description	No. Off	Matl. Spec.	CL. OF ST.		Plate No.
					M.R.	L.M.	
617	510510	VALVE, SHUT OFF, 1.000" (R.N.)	1	—	P		Q 3
		Spares for :—					
	CZ.135792	ACTUATOR, Squirrel Rotary — PLESSEY	1	—			Q 3
	or						
5W/435	CZ.75792						
	AS.3360C/4E	Lead, bonding, flexible (PRE. AMDT. 30AJ)	1	—			
	AS.3360E/12E	Lead, bonding, flexible (PRE. AMDT. 30AJ)	1	—			
28D/2633	A25/7E	Bolt	2	—	C		
28M/12928	A27/EP	Nut	2	—			
28W/9416644	SP47/E	Washer	3	—	C		
1058	551327	COUPLING, actuator, complete	1	—	C		Q 3
1060	551322	COUPLING, insulating... ..	1	NIM.80	C		Q 3
1059	551324	JOINT, insulating, at attachment of actuator to mounting.	1	HALLITE	C		Q 3
	560531	LEAD, bonding complete (AMDT. 30AJ)	1	—			
	560530	LEAD, bonding complete (AMDT. 30AJ)	1	—			
	551321	MOUNTING, actuator	1	L.65			Q 3
1061	551317	NAMEPLATE	1	L.4	C		Q 3
	551320	VALVE, assembly	1	—			Q 3
		Spares for :—					
1006	502595	BALL	1	DTD.412	C		Q 4
	551313	BODY, valve	1	BS.1631			Q 4
1418	DDS.1092/Y/13C	BOLT, attachment of ball seating to body	6	HTS.	C		Q 4
1068	551316	GLAND, bottom	1	BS.369	C		Q 4
1065	550379	NUT, attachment of ball seatings to body	6	—	C		Q 4
1067	551315	NUT, gland, top	1	BS.369	C		Q 4
	551312	PLATE, cover	1	DTD.525			Q 4
28S/2815	A33/B16	Screw, 4 B.A.	4	—	C		
1003	550018	RING, sealing, at top and bottom glands	1	VEEMET	C		Q 4
1066	551318	SEAL — METAFLEX, sealing of seatings to body.	2	—	C		Q 4
1064	551314	SEATING, ball	2	S.80	C		Q 4
28W/14319	SP11/C	Washer, 2 B.A.	5	—	C		
1062	551310	SPINDLE	1	S.80	C		Q 4
1063	551311	STOP, locking top gland nut	1	S.80	C		Q 4
28S/6472	A33/A6	Screw, 6 B.A.	1	—	C		
	560527	WASHER (make from SP11/C) (AMDT. 30AJ)	1	—			
28D/9294	AS.1242/5B	Bolt, 4 B.A.	4	—	C		
28M/10327	AGS.2001/B1	Nut, 4 B.A.	4	—	C		
28W/11067	AGS.2035/B	Washer, 4 B.A.	4	—	C		
	N.D.	VIDAFLEX 111, .157 bore, cut to suit on assembly — JONES, STROUD.	AR	—			
987	504366	WASHER, seating of valve to mounting	8	ACIDIT.	C		Q 3
1056	551325	WASHER, insulating, at attachment of valve to mounting (PRE. AMDT. 29AJ).	4	ACIDIT.	C		Q 3
1057	551326	WASHER, at attachment of valve to mounting	4	DTD.124A	C		Q 3

VALVES, SHUT OFF

Ref. No.	Part No.	Description	No. Off	Matl. Spec.	CL. OF ST.			Plate No.
					1	2	3	
985	512760	VALVE, SHUT OFF	1	—	A			Q 5
		Spares for :—						
5W/389	C5517/2L	ACTUATOR — ROTAX (AMDT. 28AJ) /	1	—	A			Q 5
28S/2833	A31/B28	Screw, 4 B.A. /	4	—	C			
28W/11067	AGS.2035/B	Washer, shakeproof	4	—	C			
	555018	BRACKET, plug and actuator cable mounting (PRE. AMDT. 7AJ).	1	DTD.610				
	557025	BRACKET, plug and actuator cable mounting (AMDT. 7AJ).	1	DTD.610				Q 5
28D/12953	A28/1B	Bolt, 4 B.A.	1	—	C			
28D/12707	A25/1E	Bolt, 250 B.S.F. (AMDT. 22AJ)	2	—	C			
5K/2996	AS.1900/D	Clip, cable	1	—	C			
28M/13140	A27/BT	Nut, 4 B.A.	1	—	C			
28M/12931	A27/ET	Nut, 250 B.S.F.	2	—	C			
28W/11067	AGS.2035/B	Washer, shakeproof	1	—	C			
28W/11071	AGS.2035/E	Washer, shakeproof	4	—	C			
5E/	N.D.	CABLE, QUINPRENSHEATH 10, actuator to plug.	AR	—				Q 5
	504881	COUPLING, insulating (PRE. AMDT. 7AJ)	1	NIM.80				
377	504577	COUPLING, actuator, complete (PRE. AMDT. 7AJ)	1	—	C			
1409	557250	COUPLING, insulating, complete (AMDT. 7AJ)...	1	—	C			Q 5
1408	504238	COUPLING, actuator (AMDT. 7AJ) (R.N.) ...	1	DTD.525	C			Q 5
5X/2193	22594/2	FERRULE, cut square boss — PLESSEY	1	—				
	504235	MOUNTING, actuator	1	L.40				Q 5
1061	551317	NAMEPLATE (R.N.)	1	L.4	C			Q 5
	555019	PACKING, at attachment of mounting bracket to actuator mounting.	1	HALLITE				Q 5
5X/6016	CZ.28093	PLUG — PLESSEY	1	—				Q 5
359	504237	RING, insulating, at attachment of actuator to mounting.	2	HALLITE	C			Q 5
	N.D.	SLEEVE, VIDAFLEX 111, 157" i/d, cut to suit on assembly — JONES, STROUD.	AR	—				Q 5
	555016	VALVE, assembly	1	—	C			Q 5
		Spares for :—						
1006	502595	BALL (R.N.)	1	DTD.412				Q 6
	551313	BODY	1	DTD.525	C			Q 6
1067	551315	GLAND, top (R.N.)	1	BS.369	C			Q 6
1068	551316	GLAND, bottom (R.N.)	1	BS.369	C			Q 6
1065	550379	NUT, attachment of ball seatings to body (R.N.)	12	S.80				Q 6
	551312	PLATE, cover, top gland	1	DTD.525	C			
28S/2815	A33/B16	Screw, csk. 4 B.A.	4	—	C			Q 6
1003	550018	RING, sealing valve spindle (R.N.) ...	1 set	VEEMET	C			Q 6
1066	551318	SEAL — METAFLEX, sealing of ball seatings to valve body (R.N.)	2	—				Q 6
	553758	SEATING, ball	2	DTD.525				Q 6
	556024	SPINDLE, valve	1	S.80	C			Q 6
1063	551311	STOP, top gland nut locking (R.N.) ...	1	—				Q 6
28S/6472	A33/A6	Screw, 6 B.A.	1	—	C			

VALVES, SHUT OFF

Ref. No.	Part No.	Description	No. Off	Matl. Spec.	CL. OF			Plate No.
					ST.	M.R.	L.M.	
		1 2 3 4 5						
28W/14319	553759 SP11/C	STUD , attachment of ball seatings to valve body. Washer, 2 B.A.	6 12	DTD.525 —				Q 6 C
28D/9294	AS.1242/5B	Bolt, 4 B.A.	4	—				C
28M/13140	A27/BT	Nut, 4 B.A.	4	—				C
28W/11067	AGS.2035/B	Washer, shakeproof	4	—				C Q 5
986	504236	WASHER , seating of valve attaching bolts to actuator mounting.	4	K.ACIDIT				C Q 5
1010	504226	WASHER , seating of valve attachment, bolt, to actuator mounting (R.N.).	4	DTD.124A				C Q 5
987	504366	WASHER , seating of valve to actuator mounting.	4	K.ACIDIT				C Q 5
361	504225	WASHER , seating of actuator attachment screws to mounting.	1	K.ACIDIT				C Q 5
362	504219	WASHER , seating of actuator attachment screws to mounting.	1	DTD.124A				C

VALVES, SHUT OFF

Ref. No.	Part No.	Description	No. Off	Matl. Spec.	CL. OF		Plate No.
					ST.	M.R.	
		1 2 3 4 5					
1120	513490	VALVE, 2-000" RAM AIR SHUT OFF (R.N.) ...	1	—	P		Q7
		Spares for:—					
	556932	ADJUSTER, valve	1	—			Q7
	N.D.	BALL, steel, 3/16" dia.—HOFFMAN	1	—			Q7
1131	553129	BEARING, screwed, valve plate adjusting	1	S.80	C		Q7
1145	555086	BLOCK, chain guard	2	L.64	C		Q7
1142	506539	BOLT, special valve plate attachment	4	S.80	C		Q7
	559209	BOLT (AMDT. 18AJ)	2	S.80			
1151	555298	BOLT, support bracket attachment	4	S.80	C		Q7
1133	555080	BODY, assembly	1	—	C		Q7
		Spares for:—					
	558345	NUT, anchor (make from AGS.2019/C2)	1	—			Q7
	558345/1	NUT, anchor (make from AGS.2019/C2)	1	—			Q7
28M/10223	AGS.2008/C2	Nut, anchor	4	—	C		
28Q/7189	AS.157/304	Rivet	12	—	C		
	497427	BOLT (AMDT. 16AJ)	1	—			Q7
1132	555082	BOSS, thrust	1	S.80	C		Q7
28D/15050	A26/1/2C	Bolt (PRE. AMDT. 18AJ)	2	—	C		
1146	555085	BRACKET, support, chain guard block	2	L.59	C		Q7
1135	555083	BUSH, flanged	1	S.80	C		Q7
1156	555089	CAP, sealing	1	L.65	C		Q7
1157	555090	CONNECTOR, inlet pipe	1	L.65	C		Q7
28F/12047	AGS.1186/A	Washer	1	—	C		
1126	553989	CONNECTOR	1	S.80	C		Q7
1134	505211	DISC, valve	1	DTD.747	C		Q7
534	500500	NAMEPLATE	1	L.4	C		Q7
28S/6634	2R 1/8"	Screw	4	—	C		
1130	553133	NUT, cap, screwed bearing	1	S.80	C		Q7
1137	550007	NUT, lock	1	DTD.525	C		Q7
1138	550006	NUT, gland	1	DTD.525	C		Q7
1143	550380	NUT, valve plate attachment (PRE. AMDT. 18AJ)	4	S.80	C		Q7
1125	555097	NUT, inlet pipe connector attachment	1	DTD.525	C		Q7
1129	553132	PIECE, locking, screwed bearing	1	DTD.525	C		Q7
1144	553976	PLATE, chain guard	1	L.59	C		Q7
28S/	A37/B36	Screw	4	—	C		
28M/10338	AGS.2002/B2	Stiffnut	4	—	C		
28W/14456	SP11/B	Washer	4	—	C		
1139	555084	PLATE, cam	1	S.80	C		Q7
1127	550013	PLATE, valve	1	S.80	C		Q7
	A49/B	Nut (AMDT. 18AJ)	4	—	C		
1141	550019	PLATE, valve	1	S.80	C		Q7
28W/14456	SP11/B	Washer (PRE. AMDT. 17AJ)	8	—	C		
	558532	PIPE, inlet, complete (AMDT. 16AJ)	1	—			Q7
1148	555096	PIPE, inlet, complete (PRE. AMDT. 16AJ)	1	—	C		Q7
1150	553973	RING, sealing	1	VEEMET	C		Q7
1422	WO.2307	RING, sealing — C. WESTON & CO. LTD.	1	—	C		Q7
1424	WO.1707	RING, sealing — C. WESTON & CO. LTD.	1	—	C		Q7

VALVES, SHUT OFF

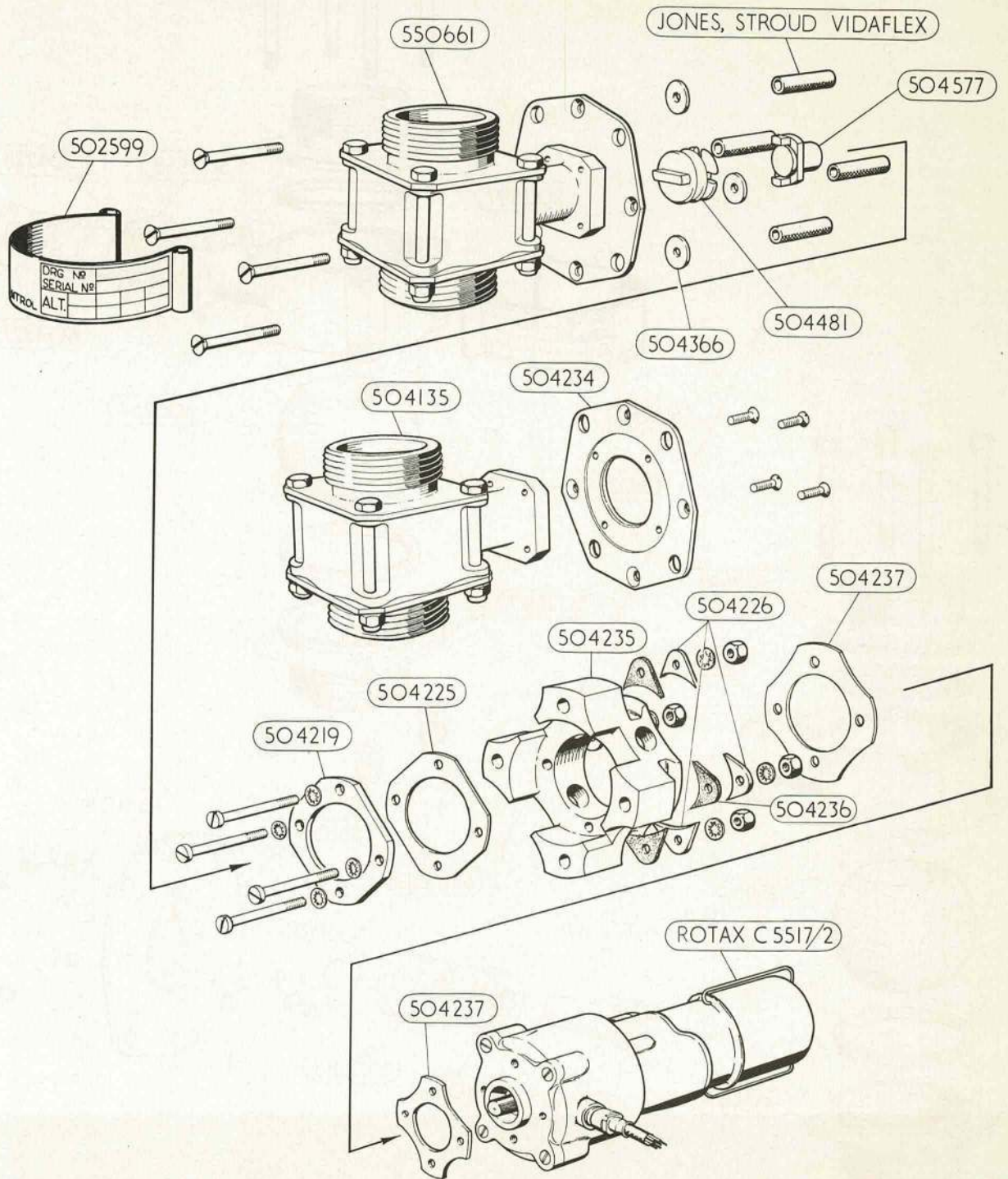
Ref. No.	Part No.	Description	No. Off	Matl. Spec.	CL. OF ST.			Plate No.
					1	2	3	
1136	553979	SHAFT	1	S.80			C	Q7
28W/13411	A24/CS	Nut	1	—			C	
28W/14319	SP11/C	Washer	1	—			C	
736	556153	SEAL, bonded (AMDT. 16AJ)	2	—			C	Q7
1153	555094	SPRING, valve compression	1	DTD.215			C	Q7
1154	555088	VALVE, poppet	1	S.62			C	Q7
1421	557033	VALVE, complete	1	—			C	Q7
1158	555801	WASHER, laminated, inlet pipe connection (PRE. AMDT. 16AJ).	1	ALUM.			C	Q7
1149	550010	WASHER, gland	1	BS.369			C	Q7
1147	550009	WASHER, gland	1	BS.369			C	Q7
1155	553986	WASHER, sealing valve body	1	HALLITE			C	Q7
1128	553131	WASHER, sealing screwed bearing	1	BS.899			C	Q7
1423	558834	WASHER, tab (AMDT. 17AJ)	4	—				
1423	N.D.	SCREW, set, hexagon socket 2 B.A. x .250" long ...	1	—			C	

VALVES, SHUT OFF

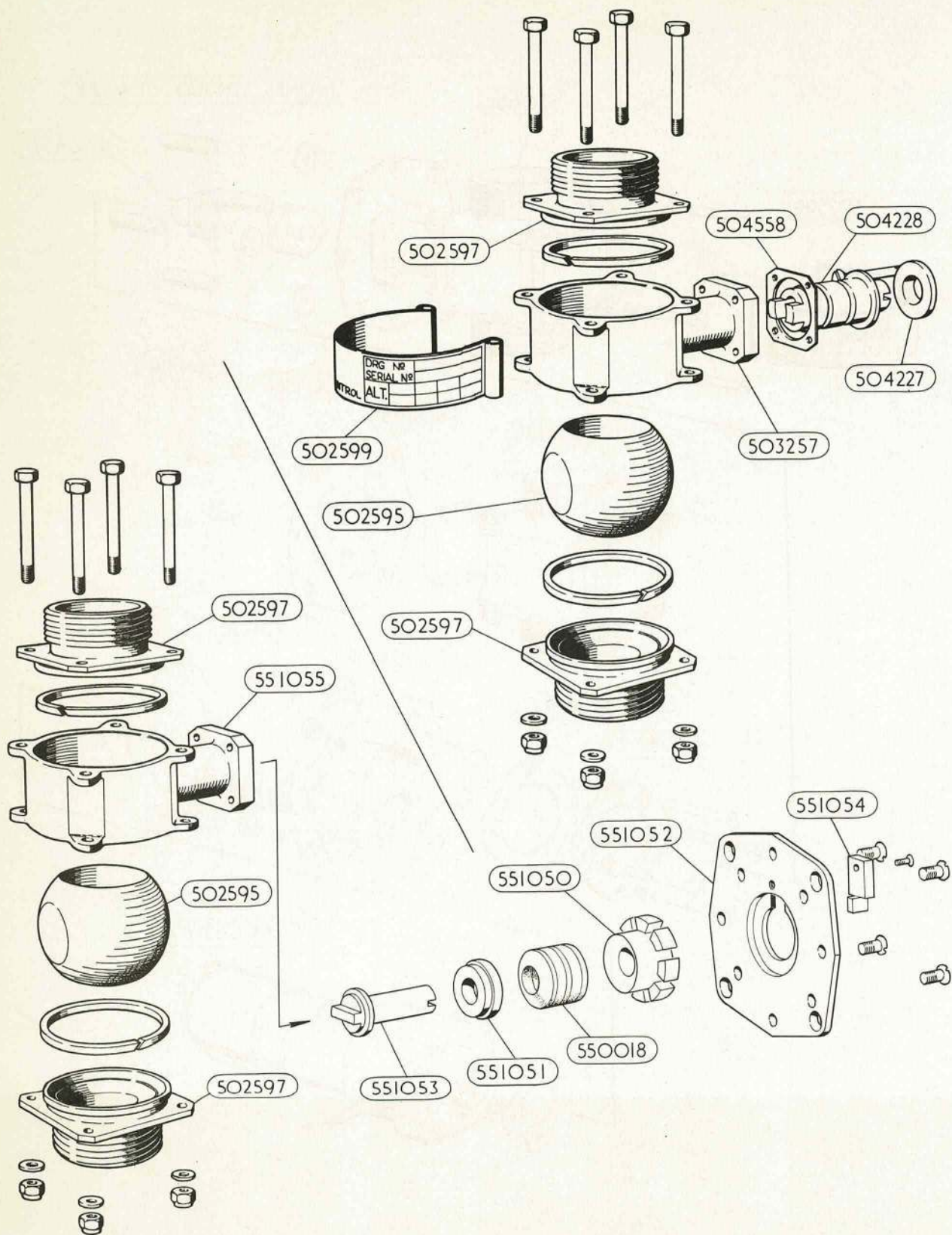
Ref. No.	Part No.	Description					No. Off	Matl. Spec.	CL. OF ST.		Plate No.
		1	2	3	4	5			M.R.	L.M.	
963	505980	VALVE, SHUT OFF					1	—	A		Q 8
		Spares for :—									
1824	505984	BALL, valve					1	ALUM.BR.	C		Q 8
	551375	BODY, valve					1	S.80			Q 8
1826	551711	GLAND, bottom					1	BS.369	C		Q 8
1011	502599	NAMEPLATE (R.N.)					1	BS.265	C		Q 8
1824	551713	NUT, top gland					1	BS.369	C		Q 8
1825	551504	PACKING, gland					1	VEEMET	C		Q 8
	N.D.	PACKING, grooves in ball seatings (5.2" L. x 1" W. x 1/32" T.)					2	HALLITE	C		Q 8
	551715	PLATE, stop					1	BS.250			Q 8
285/2809	A33/B12	Screw, 4 B.A.					4	—	C		Q 8
1823	505983	SEATING, ball					2	DTD.525	C		Q 8
28D/12536	A25/13C	Bolt, 2 B.A.					4	—	C		Q 8
28M/10339	AGS.2002/C2	Nut, 2 B.A.					4	—	C		Q 8
28W/12252	SP13/C	Washer					4	—	C		Q 8
	551712	SPINDLE, valve					1	S.80			Q 8
	551714	STOP, gland nut locking					1	S.80			Q 8
285/3421	A33/A8	Screw, 6 B.A.					1	—	C		Q 8

VALVES, SHUT OFF

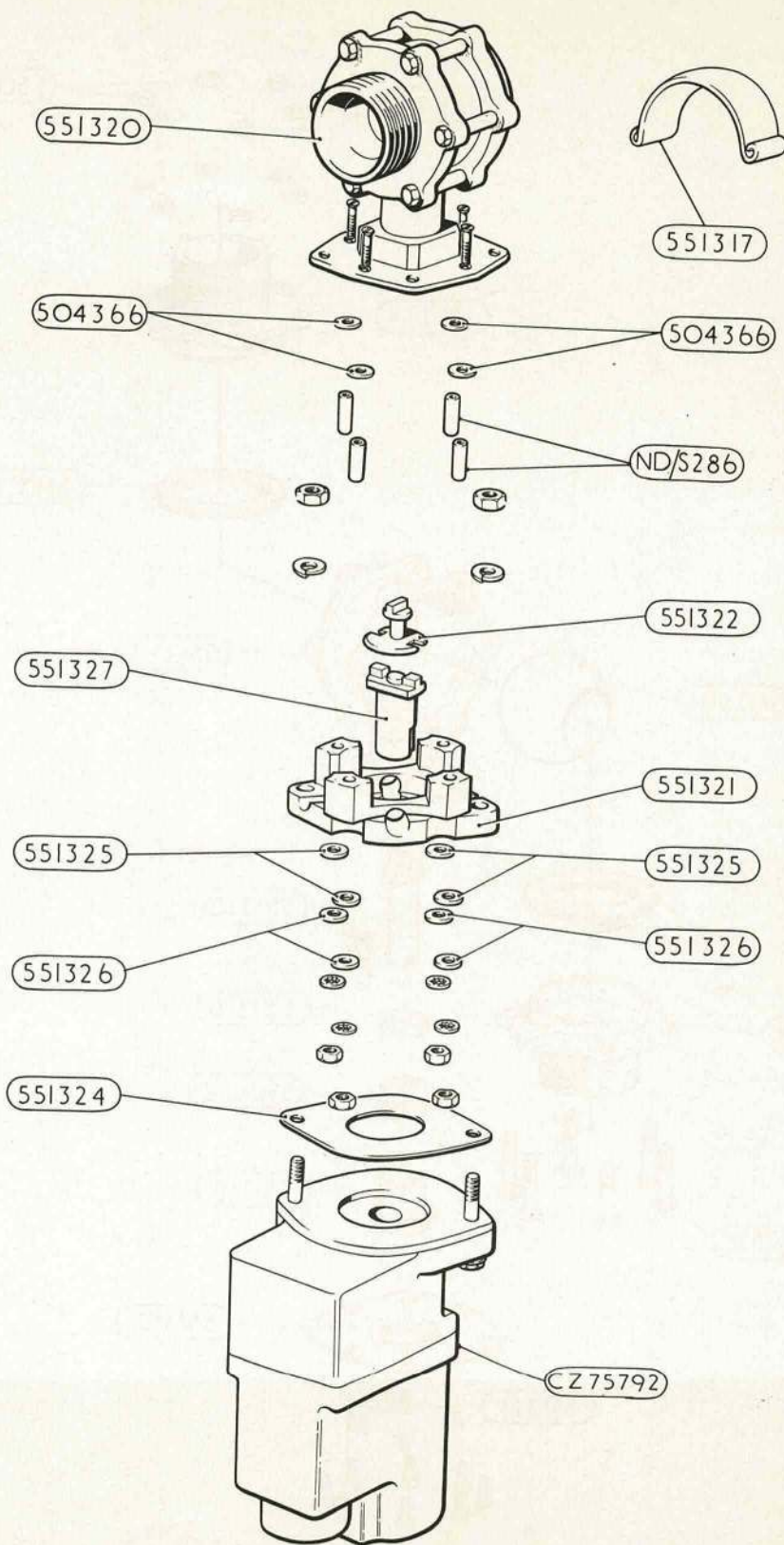
Ref. No.	Part No.	Description	No. Off	Matl. Spec.	CL. OF ST.			Plate No.
					1	2	3	
1799	520210	VALVE, SHUT OFF	1	—			A	Q9
		Spares for :—						
1827	505984	BALL, valve	1	AL.BR.			C	Q9
	551375	BODY, valve	1	S.80			C	Q9
1802	555197/1	BOLT	4	S.80			C	Q9
28W/12665	SP14/C	Washer	4	—			C	
1826	551711	GLAND, bottom	1	BS.369			C	Q9
1011	502599	NAMEPLATE	1	BS.265			C	Q9
1824	551713	NUT, top gland	1	BS.369			C	Q9
1803	559806	NUT	4	S.80			C	Q9
	N.D.	PACKING, ball seatings (5.200" L. x .100" W. x 1/32" T.).	2	HALLITE			C	Q9
1825	551504	PACKING, gland	1	VEEMET			C	Q9
1820	561047	PLATE, stop	1	BS.250			C	Q9
28S/9435716	A33/B12	Screw	4	—			C	
1800	559769	BEARING, ball	1	S.80			C	Q9
1801	560759	SEATING, ball	1	S.80			C	Q9
1822	551712	SPINDLE, valve	1	S.80			C	Q9
1821	551714	STOP, gland nut locking	1	S.80			C	Q9
28S/3421	A33/A8	Screw	1	—			C	



VALVE, SHUT OFF

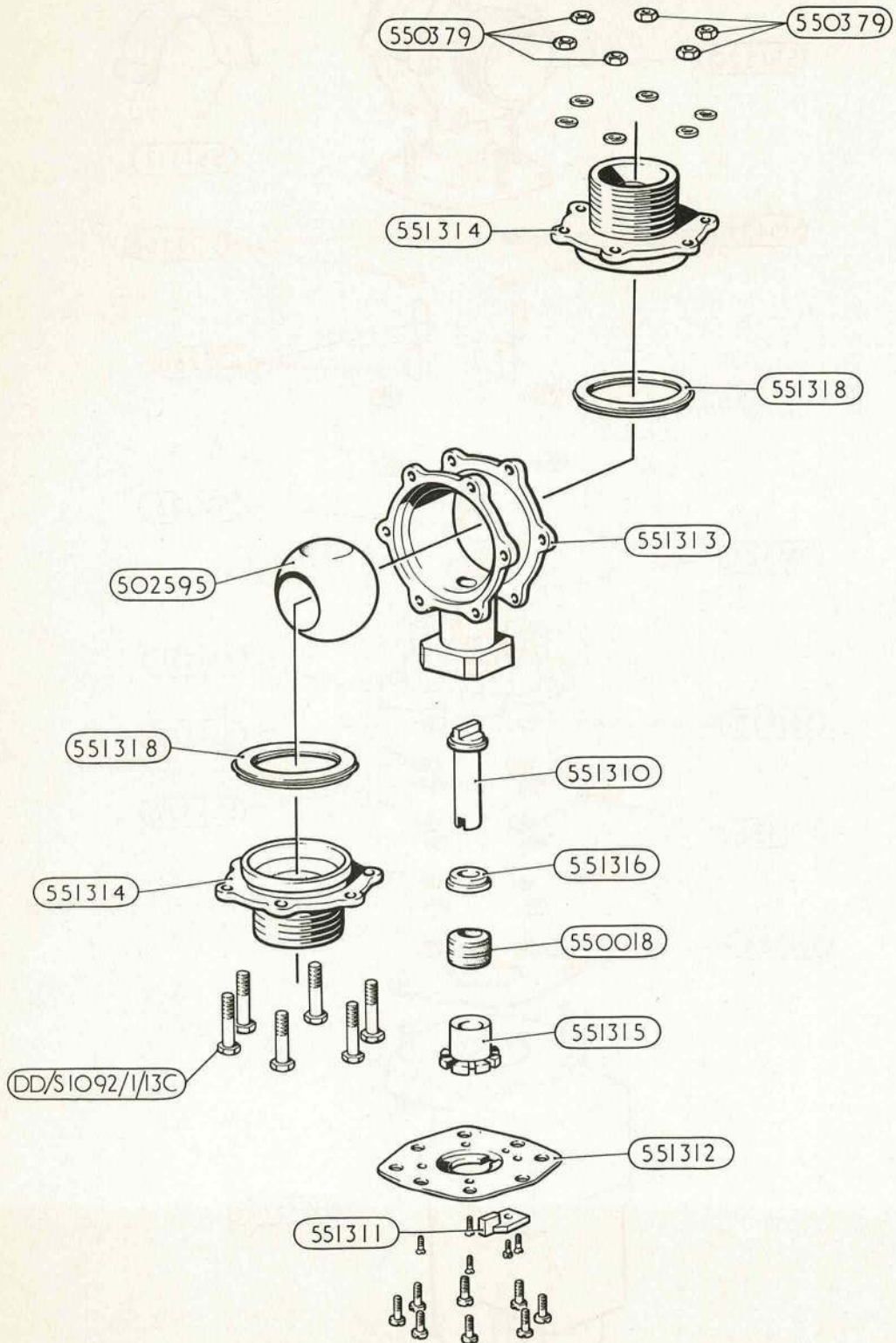


ASSEMBLIES VARIOUS

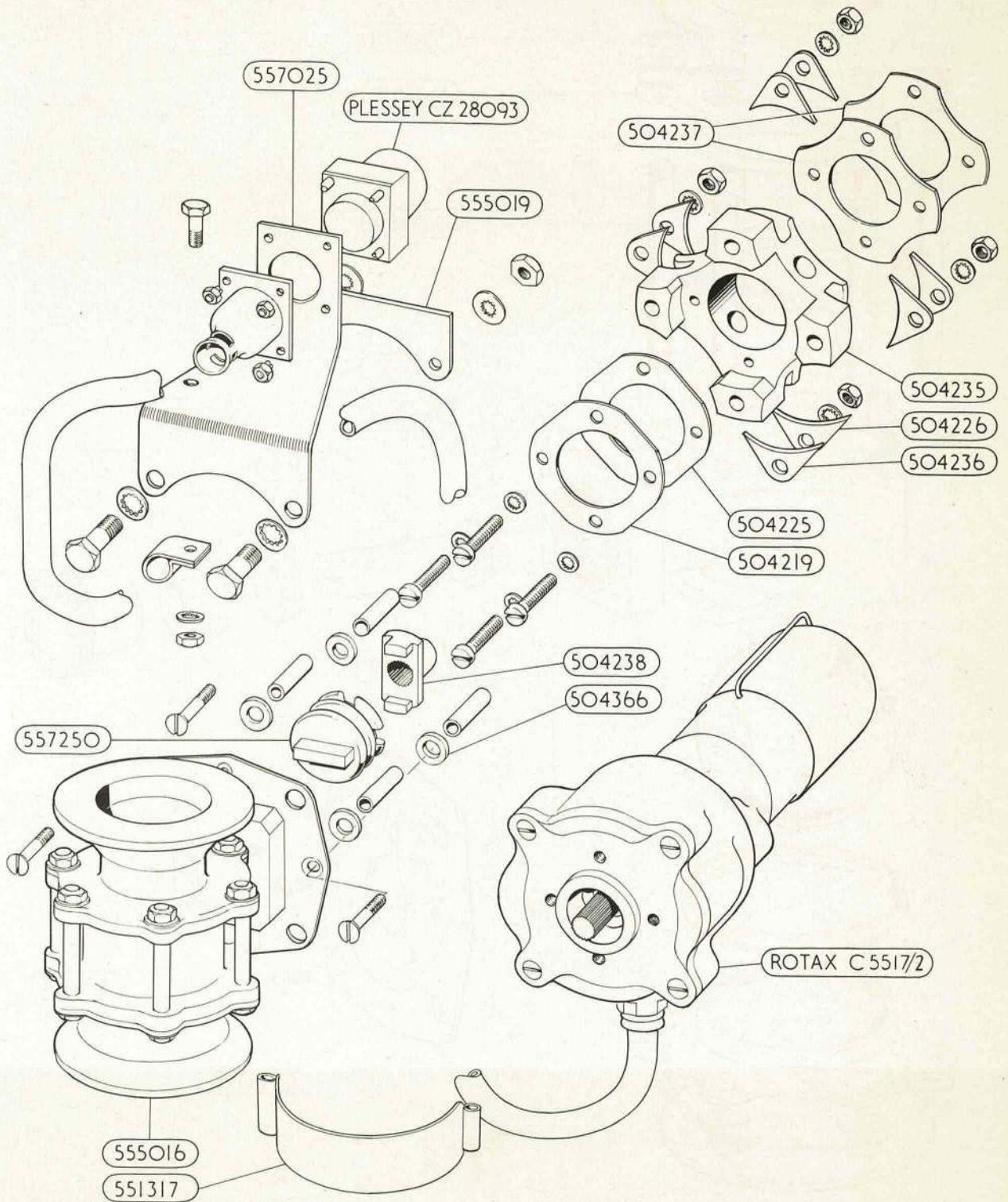


VALVE, SHUT OFF

PLATE Q 4

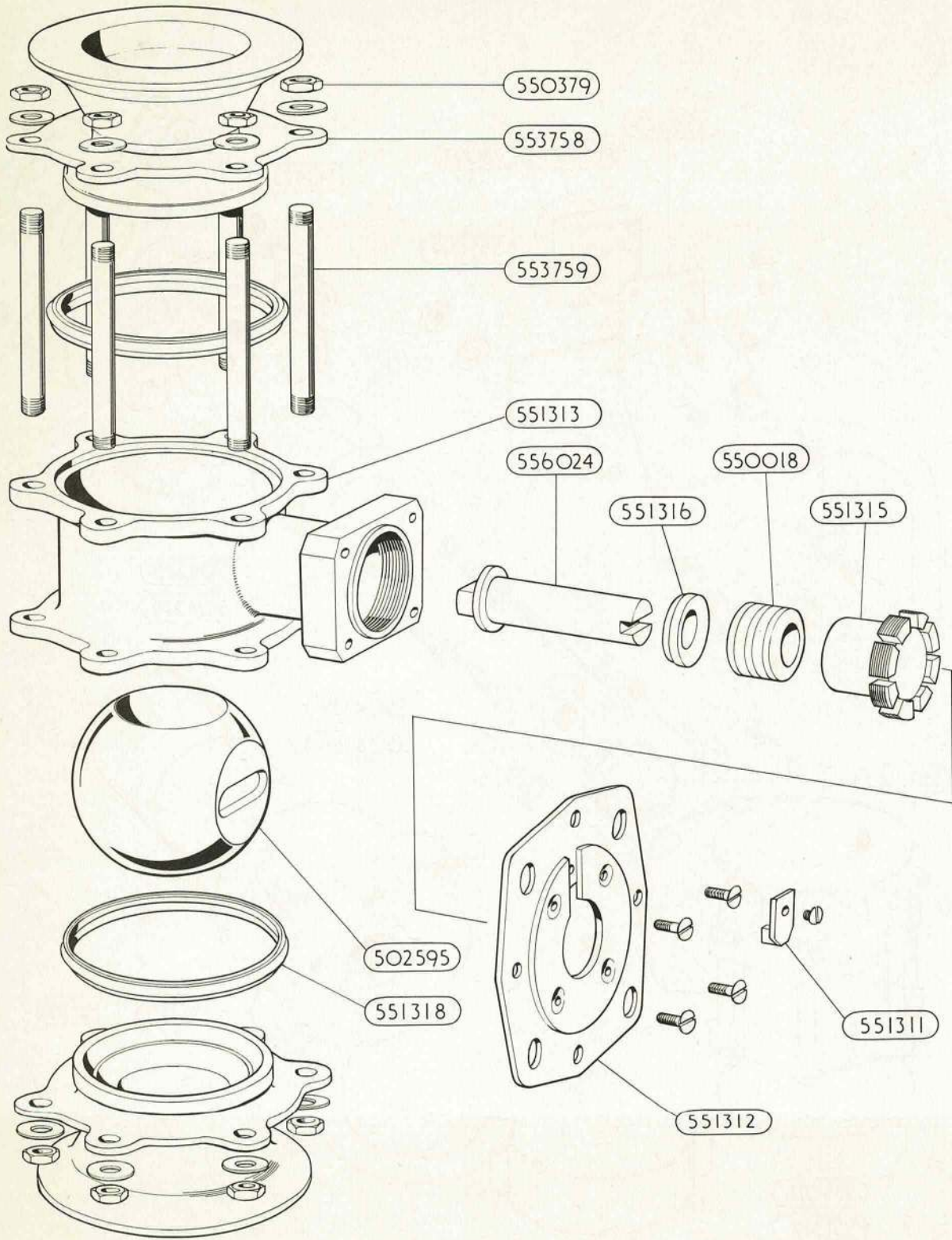


ASSEMBLIES VARIOUS

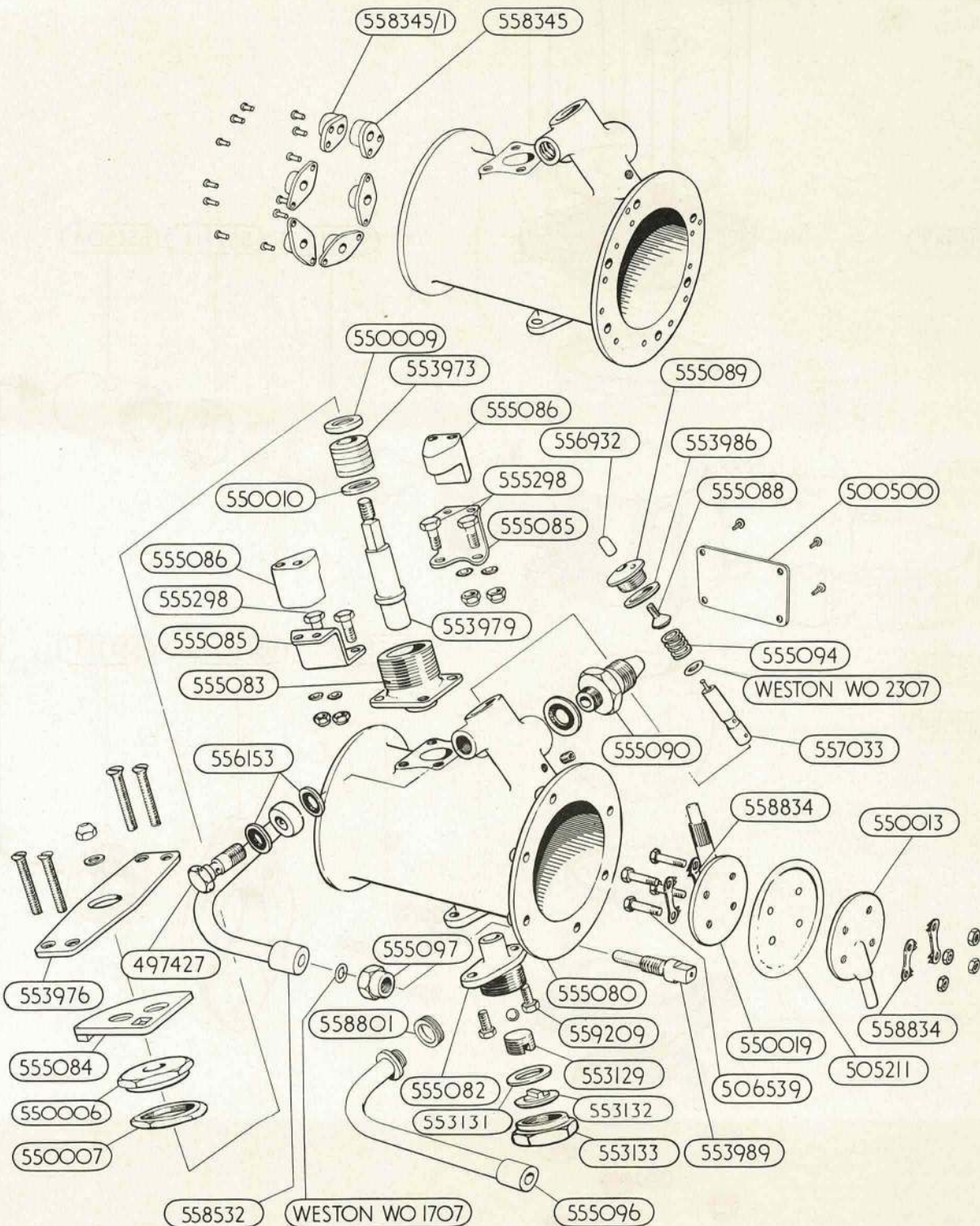


VALVE, SHUT OFF

PLATE Q6

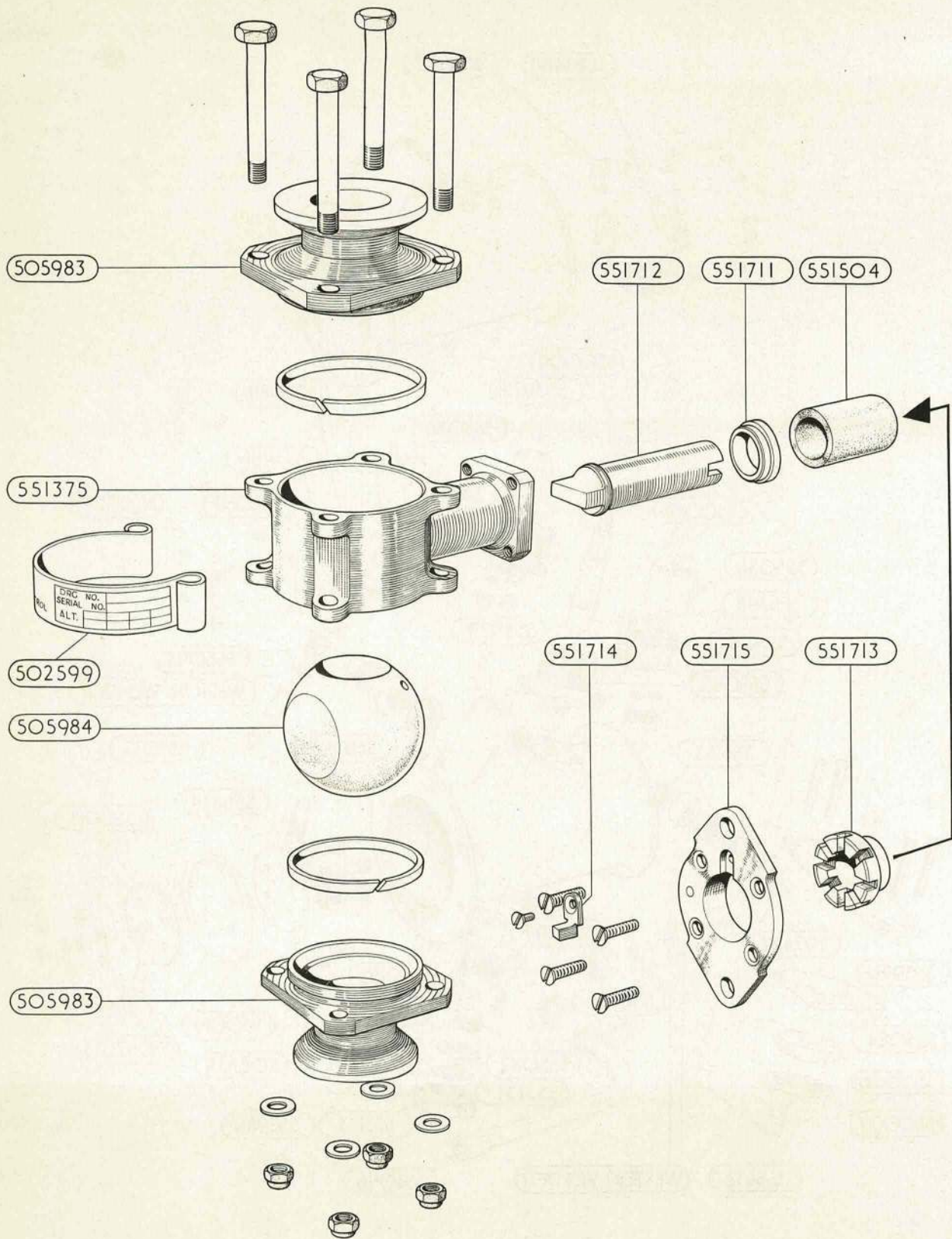


VALVE , SHUT OFF

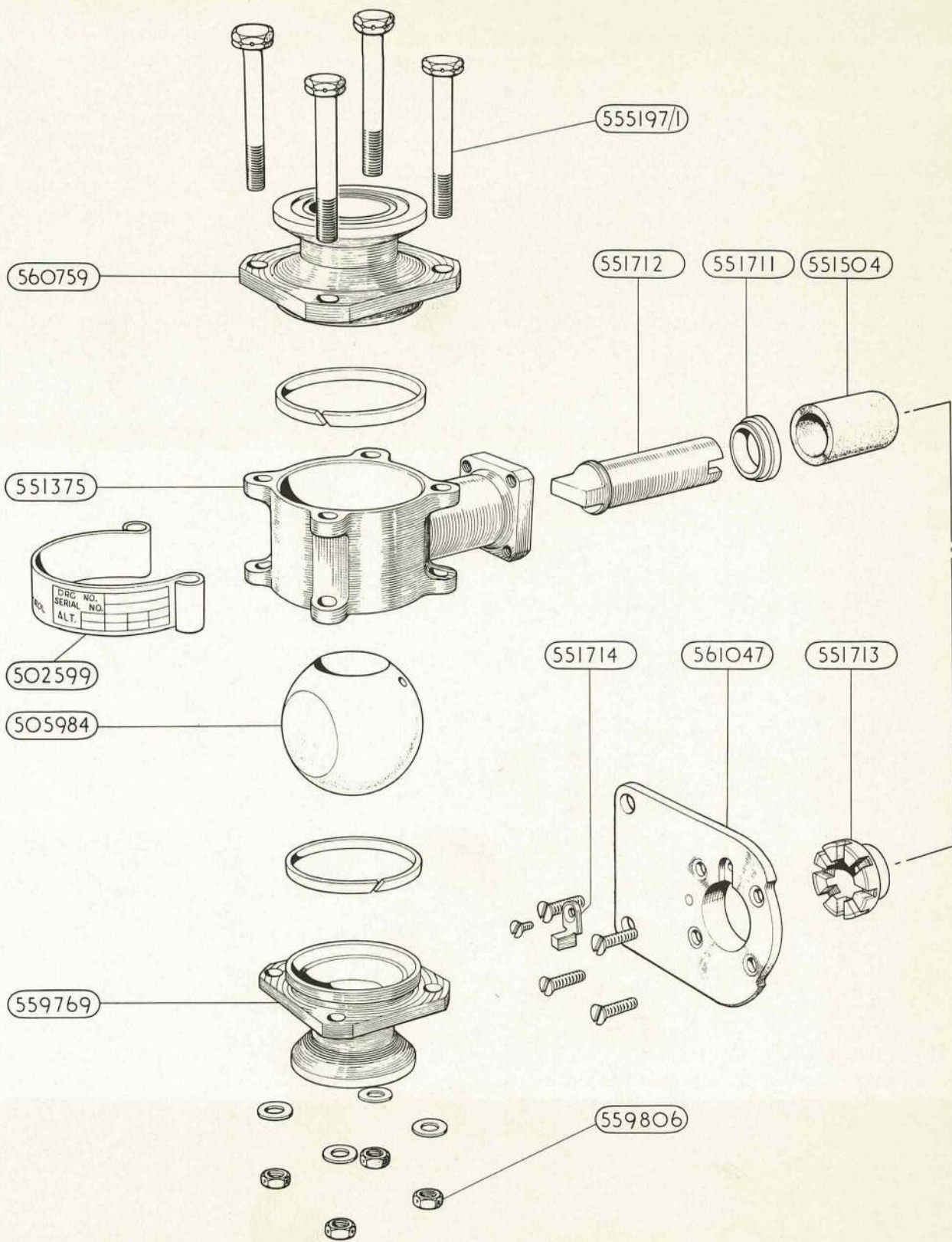


VALVE, RAM AIR SHUT OFF.

PLATE Q 8



VALVE, SHUT OFF.



VALVE, SHUT OFF.



This file was downloaded
from the RTFM Library.
Link:www.scottbouch.com/rtfm

Please see site for usage terms,
and more aircraft documents.

