

HUMIDIFIERS



TYPE / APPLICABILITY

Section V — HUMIDIFIERS

ACCESSORY :-		HUMIDIFIER 505470														
AIRCRAFT	MK	No. OFF	MK	No. OFF	MK	No. OFF	MK	No. OFF	MK	No. OFF	MK	No. OFF	MK	No. OFF	MK	No. OFF
COMET	2	1														
		HUMIDIFIER 515530														
BRITANNIA	1	1														

HUMIDIFIERS

Ref. No.	Part No.	Description	No. Off	Matl. Spec.	CL. OF ST.			Plate No.
					M.R.	L.M.		
644	505470	HUMIDIFIER, LOW PRESSURE FEED	1	—	A		V 1	
		Spares for :—						
1619	505829	ADAPTOR	1	DTD.423B			V 1	
28F/11581	AGS.1186/D	Washer, sealing	1	—	C			
	505809	BODY, complete	1	—			V 1	
1622	507009	BODY, double banjo	1	L.A.			V 1	
1623	507010	BODY, single banjo	1	L.A.			V 1	
693	481174	BOLT, latch, complete	6	—	C		V 1	
28M/10328	AGS.2002/C1	Nut	6	—	C			
28P/14542	SP4/A18	Pin, headed	6	—	C			
28P/12587	SP9/C4	Pin, split	6	—	C			
28W/9419465	SP13/B	Washer, sealing	14	—	C			
689	507011	BOLT, banjo	6	L.A.	C		V 1	
686	507013	BOLT, banjo	1	L.A.	C		V 1	
28F/12048	AGS.1186/B	Washer, sealing	14	—	C			
1620	505835	CAP, breeze plug	1	DTD.423B			V 1	
696	481315/1	CATCH, sieve tube, complete	1	—	C		V 1	
697	481315/2	CATCH, sieve tube, complete	1	—	C		V 1	
28P/12431	SP9/C6	Pin, split	2	—	C			
28W/13388	SP14/E	Washer	2	—	C			
	505841	CLEAT	1	L.3			V 1	
28D/12954	A28/3B	Bolt	2	—	C			
28W/9419474	SP15/B	Washer	2	—	C			
	505808	CLIP	1	L.3			V 1	
28D/7896	A17/2C	Bolt	2	—	C			
9419475	SP15/C	Washer	2	—	C			
687	505826	COCK, drain, assembly	2	—	B		V 1	
		Spares for :—						
	505830	BANJO	2	DTD.423			V 2	
	505828	NIPPLE	2	DTD.423B			V 2	
	505827	NUT, hand	2	DTD.423			V 2	
688	ND/S 226	TWICKLIP	2	—	C		V 2	
1385	505842	CONE, swirl, assembly	1	—	C		V 1	
		Spares for :—						
	505821	CLEAT	2	L.3			V 6	
28D/13136	A26/1B	Bolt	1	—	C			
28M/10338	AGS.2002/B2	Nut	1	—	C			
28W/12664	SP14/B	Washer	2	—	C			

HUMIDIFIERS

Ref. No.	Part No.	Description					No. Off	Matl. Spec.	CL. OF ST.			Plate No.
		1	2	3	4	5			M.R.	L.M.		
	551786	CONE, assembly					1	—				V 6
	550299	Spares for:— CONE					1	L.4				V 6
	481317/1	SEAL					AR	ASBESTOS				V 6
	481317/2	SEAL					AR	ASBESTOS				V 6
1386	ND/S 162	TRAY					1	L.4	C			V 6
28D/7018	A15Z/3B	Bolt					2	—	C			
28M/10338	AGS.2002/B2	Nut					2	—	C			
	AS.2811/5/025	Tube, distance					2	—				
28W/12664	SP14/B	Washer					4	—	C			
	505820	PIPE, feed, assembly					1	—				V 6
	505820/1	Spares for:— PIPE					1	L.54				
28F/6353	AGS.952/B	Collar					1	—	C			
28F/5722	AGS.904/B	Sleeve, outer					1	—	C			
28D/13136	A26Z/1B	Bolt					4	—	C			
28D/13038	A26Z/2B	Bolt					1	—	C			
28M/10338	AGS.2002/B2	Nut					1	—	C			
28W/12664	SP14/B	Washer					6	—	C			
	481284	LID, assembly					1	—				V 1
	481288	Spares for:— BRACKET, latch					6	L.3				V 2
28M/10327	AGS.2002/B1	Nut					12	—	C			
28S/2761	A31/B12	Screw					12	—	C			
586	494031	NAMEPLATE (R.N.)					1	L.4	C			V 1
28Q/4900	AS.155/303	Rivet					4	—	C			
684	507014	NIPPLE					1	L.A.	C			V 1
	507006	NUT					1	L.A.				V 1
	507012	NUT					1	L.A.				V 1
692	481346	PAD, rectifier, assembly					1	—				
	502469	Spares for:— SEAL					1	—				V 2
1390	505849	PIPE, loop, scavenge pump, complete					1	—	C			V 1
1388	505845	PIPE, supply, delivery pump, complete					1	—	C			V 1
1621	505846	PIPE, supply, non return valve, complete					1	—				V 1
1389	505848	PIPE, supply, scavenge pump, complete					1	—	C			V 1
1392	505844	PIPE, vent, delivery pump, complete					1	—	C			V 1
1391	505847	PIPE, vent, scavenge pump, complete					1	—	C			V 1

HUMIDIFIERS

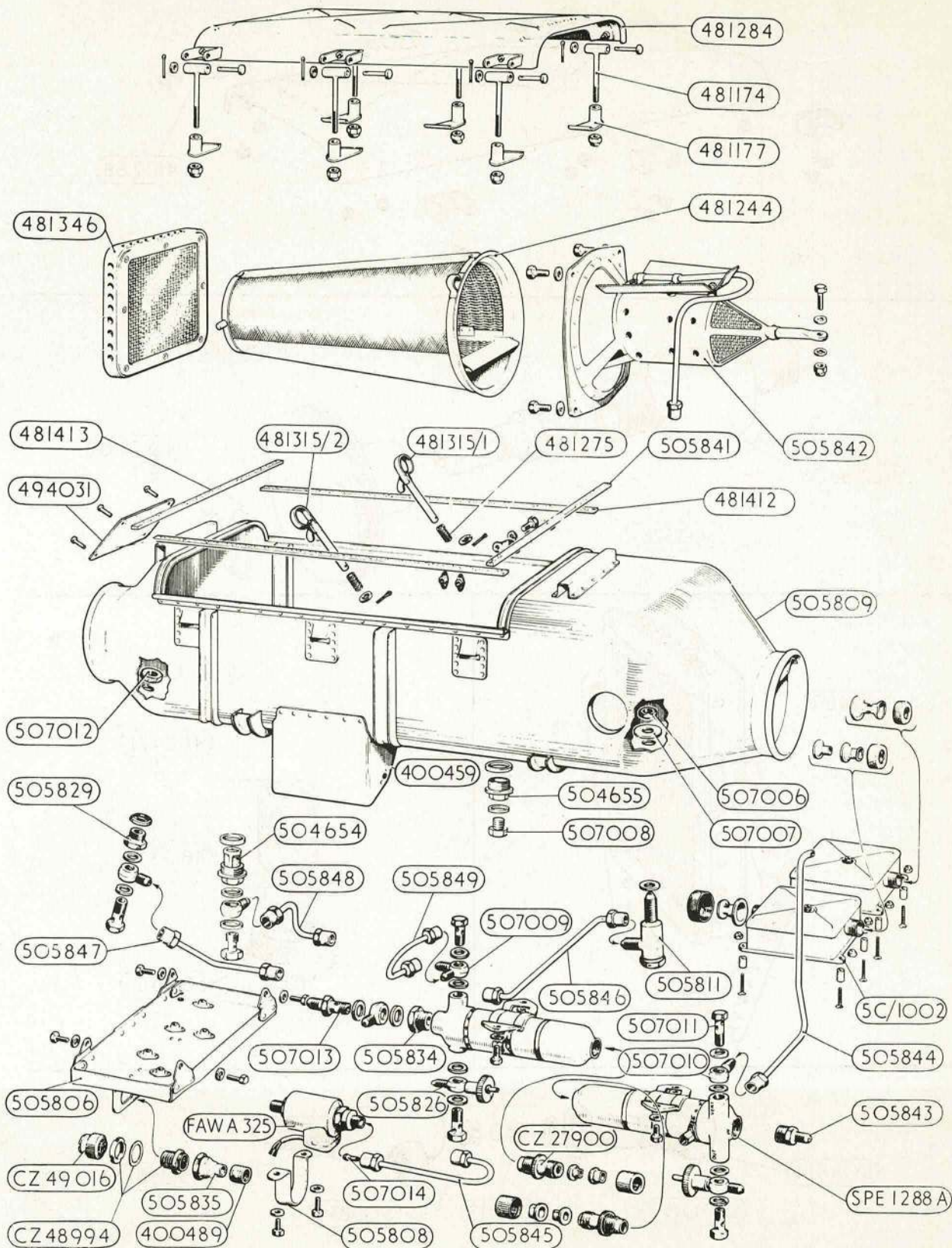
Ref. No.	Part No.	Description	No. Off	Matl. Spec.	CL. OF			Plate No.
					1	2	3	
1625	505811	VALVE, non return, assembly Spares for:—	1	—				V 1
	505812	BODY	1	DTD.423B				V 2
1627	505814	BOLT	1	DTD.423B				V 2
1628	507015	PIECE, distance	1	L.64				V 2
1629	505840	PLATE, valve	1	NYLON				V 2
	SP900/7	SEAL — DOWTY	1	—				V 2
1630	505839	SCREW	1	DTD.423B				V 2
28F/11958	AGS.1186/C	Washer, sealing	1	—		C		
28F/12048	AGS.1186/B	Washer, sealing	1	—		C		
247	400459	WASHER	2	KLING		C		V 1

HUMIDIFIERS

Ref. No.	Part No.	Description	No. Off	Matl. Spec.	CL. OF ST.		Plate No.
					M.R.	L.M.	
944	515530	HUMIDIFIER (VENTURI TYPE)	1	—	A	V3	
		Spares for:—					
1466	558344	BLOCK, connecting (ALT. K27)	1	L.65	C	V3	
947	556347	BOLT, banjo water connection	1	L.65	C	V3	
28F/14945	AGS.1186/9	Washer, sealing	2	—	C		
946	556597	BOLT, banjo, air inlet connection	1	L.65	C	V3	
28F/14945	AGS.1186/9	Washer, sealing	2	—	C		
	556346/1	BOLT, inlet housing locating	1	L.65	C	V3	
958	556596	COUPLING, pipe air inlet connection	1	L.65	C	V3	
911	553641	FILTER, connecting block plug	1	COPPER	C	V3	
	556344	HOUSING, inlet	1	L.65		V3	
	556342	INLET, water	1	L.65		V3	
1467	558346	GASKET (ALT. K27)	1	HALLITE	C	V3	
	ND/S 334	LOUVRE, group (ALT. K26)	1	—		V3	
		Consisting of:—					
	553309	BUSH, at tie rod	2	—		V4	
	556472	CASING, and seal assembly	1	—		V4	
		Spares for:—					
	553308	CASING, complete	1	—		V5	
948	556471	RING, sealing	2	RUBBER	C	V5	
1834	558059	LOUVRE, complete	1	—	C	V4	
1838	558060	LOUVRE, complete	1	—	C	V4	
1839	558061	LOUVRE, complete	1	—	C	V4	
1840	558061/1	LOUVRE, complete (ALT. K33)	1	—	C	V4	
1841	558062	LOUVRE, complete	1	—	C	V4	
1842	558062/1	LOUVRE, complete (ALT. K33)	1	—	C	V4	
1835	558058	LOUVRE, complete	1	—	C	V4	
1836	558058/1	LOUVRE, complete (ALT. K33)	1	—	C	V4	
	557839	RING, attachment louvre	2	L.65		V4	
926	553312	ROD, tie, louvre	2	L.64	C	V4	
925	553311	ROD, tie, louvre	1	L.64	C	V4	
28M/10319	AGS.2002/C3	Nut, 2 B.A. (ALT. K33)	6	—	C		
955	556476	PIECE, distance, louvre separator	17	L.62	C	V4	
1443	559213	WASHER, louvre tie rods (ALT. K33)	40	—	C	V4	

HUMIDIFIERS

Ref. No.	Part No.	Description	No. Off	Matl. Spec.	CL. OF			Plate No.
					1	2	3	
954	556477	PIECE, end, downstream attachment assembly ... Spares for:—	1	—	C			V 3
	553295	DOWEL	3	—				V 5
	553293	PIECE, end, complete	1	—				V 5
	553299	RING, clamping, complete	1	—				V 5
28Q/4901	506553	NAMEPLATE	1	—				V 3
	AS.155/304	Rivet	4	—	C			
	556341	NOZZLE, air	1	BS.249				V 3
916	508799	NUT, clamping hinge bolt, complete (ALT. K27) ...	4	—	C			V 3
996	556844	PLATE, orifice, connecting block plug (ALT. K20).	1	S.85	C			V 3
922	553648	PLUG, connecting block	1	L.64	C			V 3
28F/11958	AGS.1186/C	Seal, bonded	1	—	C			
27Q/17557	SP900C/5	RING, sealing at banjo and water inlet	4	—	C			
923	553639	RING, retaining of orifice plate in connecting block plug.	1	DTD.189	C			V 3
924	553640	RING, connecting block plug filter retaining ...	1	DTD.189	C			V 3
931	R.108	RING — GACO, at plug in connecting block ...	1	—	C			V 3
	556345	SCREW, grub, water inlet jet locking	1	L.65				V 3
957	556474	VENTURI, assembly	1	—	C			V 3
		Spares for:—						
	553295	DOWEL	3	L.65				V 4
	553300	RING, clamping, assembly	1	—				V 4
		Spares for:—						
	553302	BOLT, clamping, complete	1	—				V 5
	553303	PIN, bearing	4	S.110				V 5
	553301	RING, clamping, complete	1	—				V 5
	556475	VENTURI, complete	1	—				V 4
28F/14253	AGS.1186/4	SEAL, bonded — DOWTY (ALT. K25)	1	—	C			
929	550496	WASHER, at plug in connecting block	1	RUBBER	C			V 3
28F/5722	AGS.904/B	Sleeve, outer (ALT. K27)	1	—	C			
28F/15505	AGS.1236/B	Cap, cone (ALT. K27)	1	—	C			
28P/9429619	SP9/C5	Pin, split (ALT. K27)	1	—	C			
	AQ/280C	Cap, red (fitted for dispatch)	1	—				



HUMIDIFIER

PLATE V 2

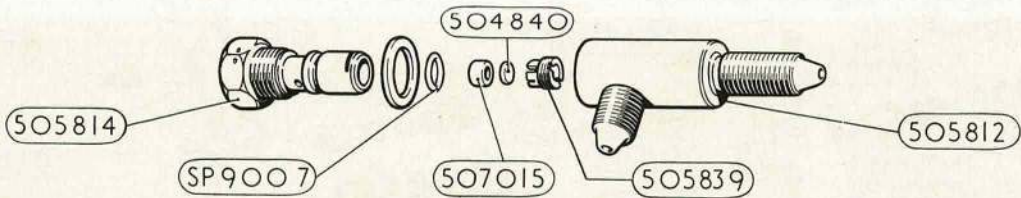
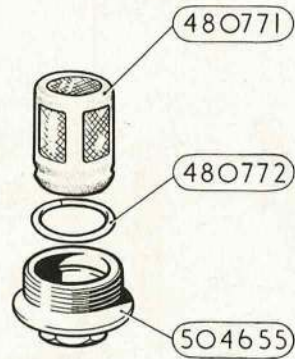
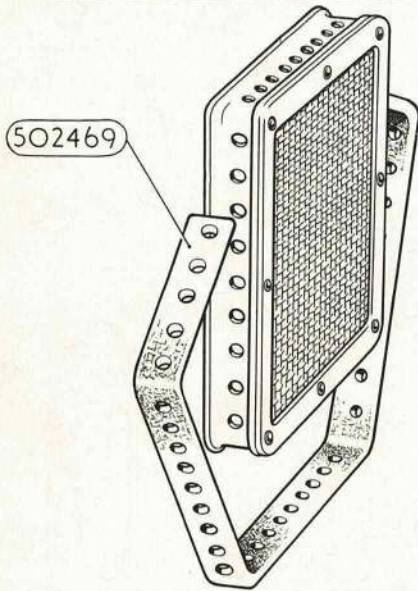
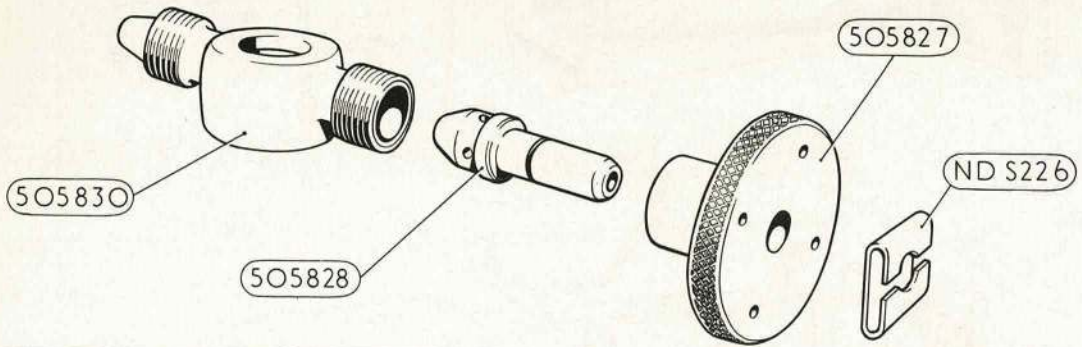
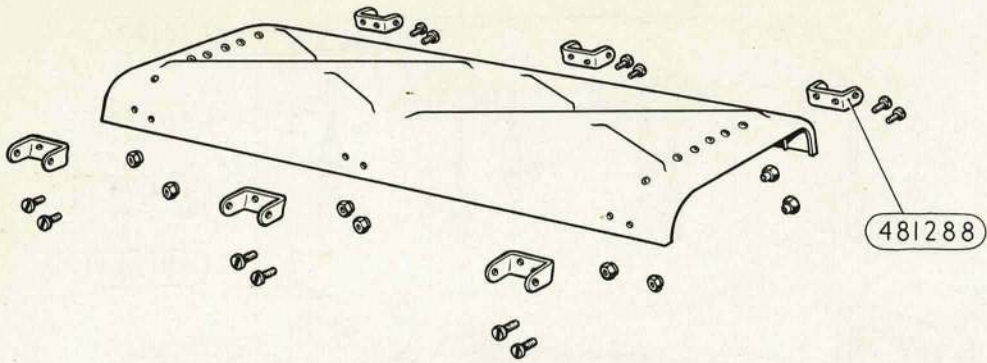
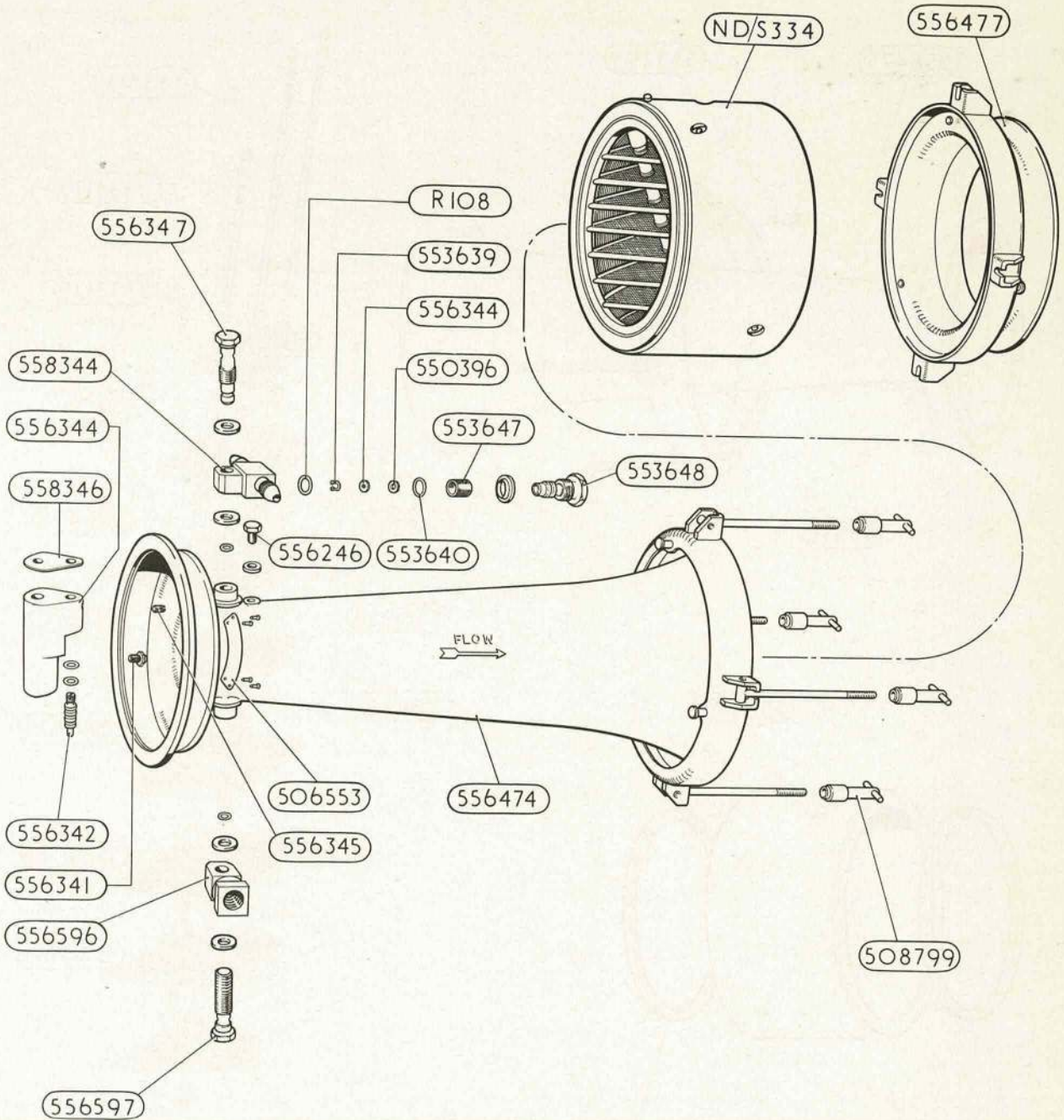
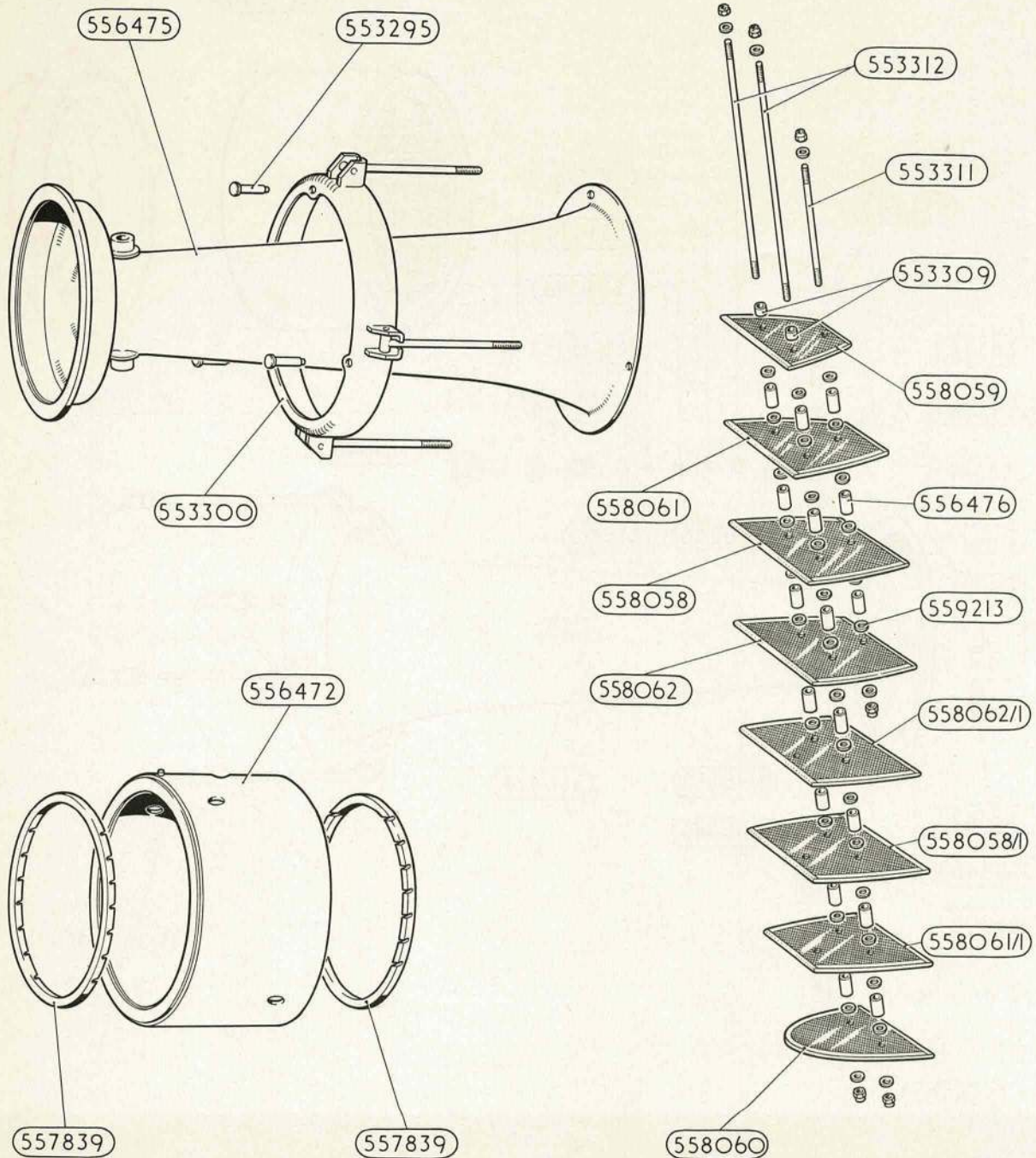


PLATE V 3



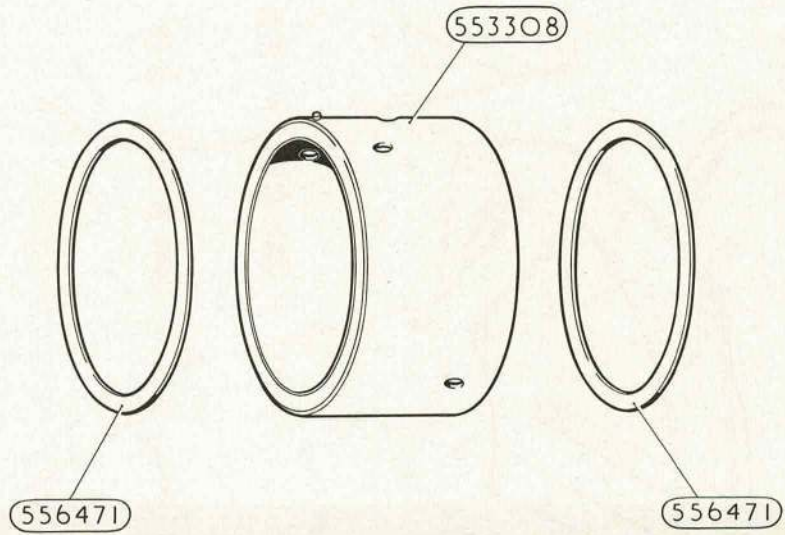
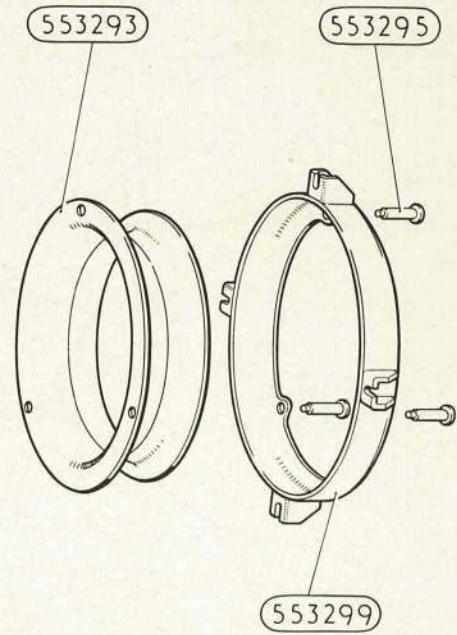
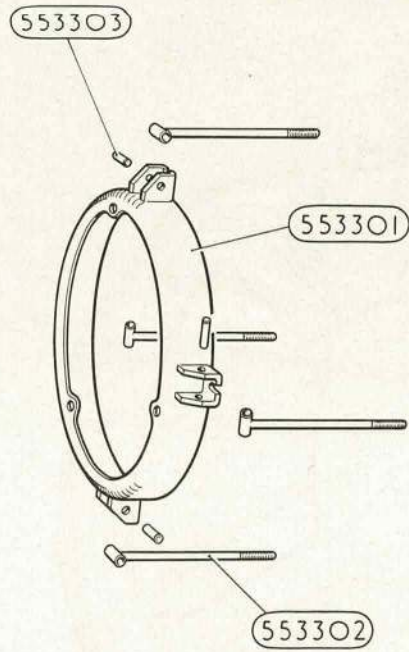
HUMIDIFIER

PLATE V 4



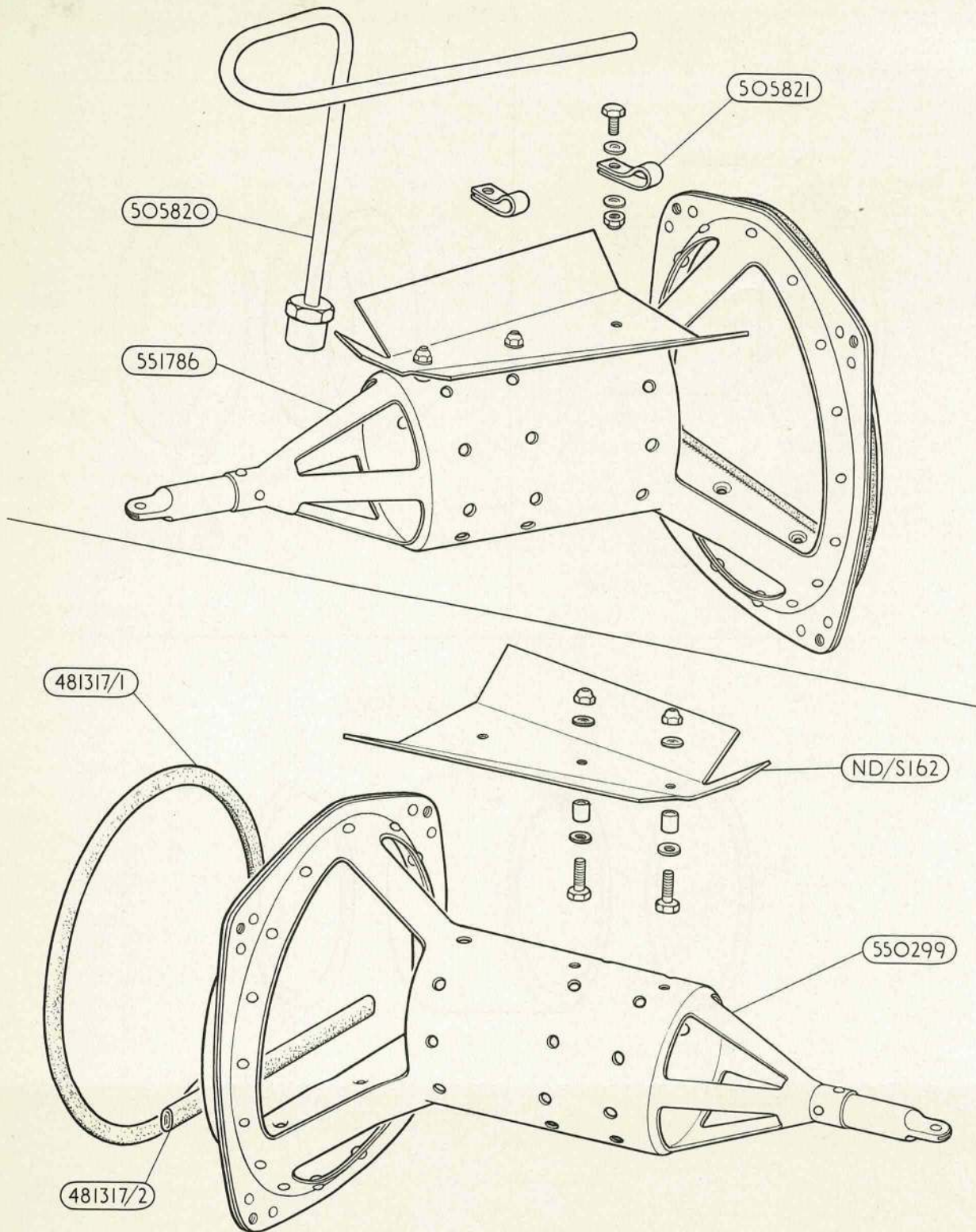
ASSEMBLIES VARIOUS

PLATE V 5



ASSEMBLIES, VARIOUS.

PLATE V6



CONE, SWIRL ASSEMBLY

This file was downloaded
from the RTFM Library.

Link: www.scottbouch.com/rtfm

Please see site for usage terms,
and more aircraft documents.

