

VALVES
FLOW CONTROL

X

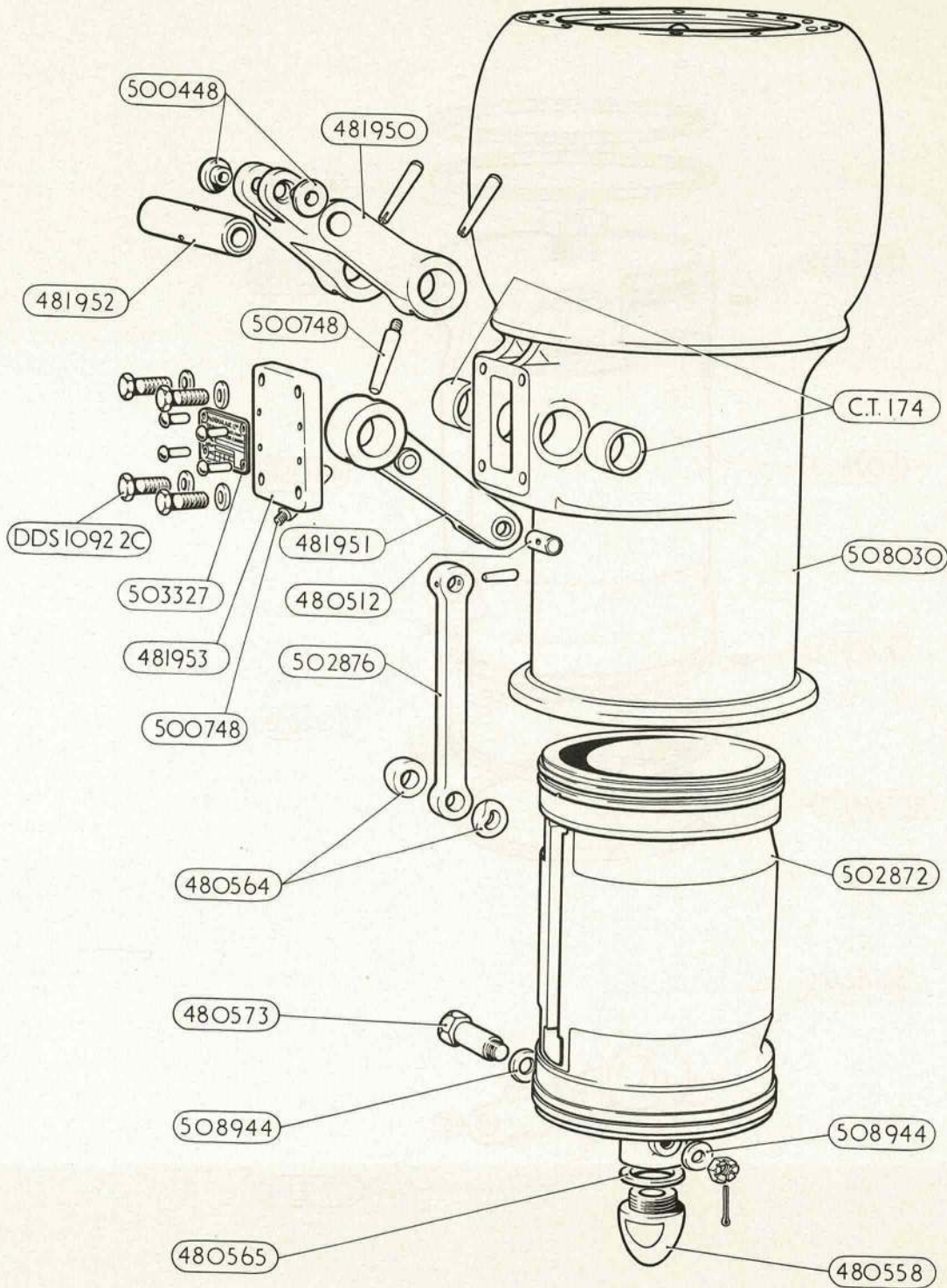
VALVES, FLOW CONTROL

Ref. No.	Part No.	Description						No. Off	Matl. Spec.	CL. OF		Plate No.
			1	2	3	4	5			ST.	M:R.	
650	506650	VALVE, FLOW CONTROL						1		A	X 1	
		Spares for :-										
28W/12296	DDS.1092/2C SP15/C	BOLT						4			X 1	
		Washer						4	C			
1647	480573	BOLT, special						1	S.2	C	X 1	
	480564	BUSH						2	L.40		X 1	
28M/767	A16Y/CS	Nut						1		C		
28P/12462	SP9/C8	Pin, split						1		C		
1626	500448	BUSH						2	S.1	C	X 1	
	480558	CAP, fairing						1	L.40		X 1	
	508030	CASING assembly						1			X 1	
		Spares for :-										
	CT.174	BUSH — MANGANESE						2	OILITE			
1645	481950	LEVER, yoke (drilled undersize for assembly) ...						1	L.1	C	X 1	
1644	481951	LEVER, operating assembly (drilled undersize) ...						1		C	X 1	
		Spares for :-										
	CT.219	BUSH — MANGANESE						2	OILITE		X 2	
	481951/3	PAD						2	L.40		X 2	
28Q/9488	AS.162/411	Rivet						1		C		
1643	502876	LINK						1	L.1	C	X 1	
567	503327	NAMEPLATE (R.N.)						1	L.4	C	X 1	
28Q/8661	AS.157/308	Rivet						4		C		
1648	480512	PIN, bearing						1	BS.1407	C	X 1	
28P/13483	SP28/G4	Pin, taper						1		C		
1402	500748	PIN, special, taper						2	S.21	C	X 1	
	502872	PISTON assembly						1			X 1	
		Spares for :-										
	502855	PIN, locating						4	DTD.176		X 2	
	502873	PISTON, complete						1			X 2	
	480568	PLUG, end						1	L.40		X 2	
1463	RC 2741/2	RING, piston — WELLWORTHY						4		C	X 2	
	480569	WASHER, sealing						1	A.S.B.		X 2	
		ALTERNATIVE TO RC 2741/2						4				
	481953	PLATE, cover						1	L.1		X 1	
1646	481952	SHAFT, operating lever (undrilled for assembly) ...						1	L.40	C	X 1	
28P/14356	SP31/H10	Pin, split, taper						2		C		
	480565	WASHER, sealing						1	A.S.B.		X 1	
	508944	WASHER						2	L.17		X 1	

VALUES ROW CONTROL

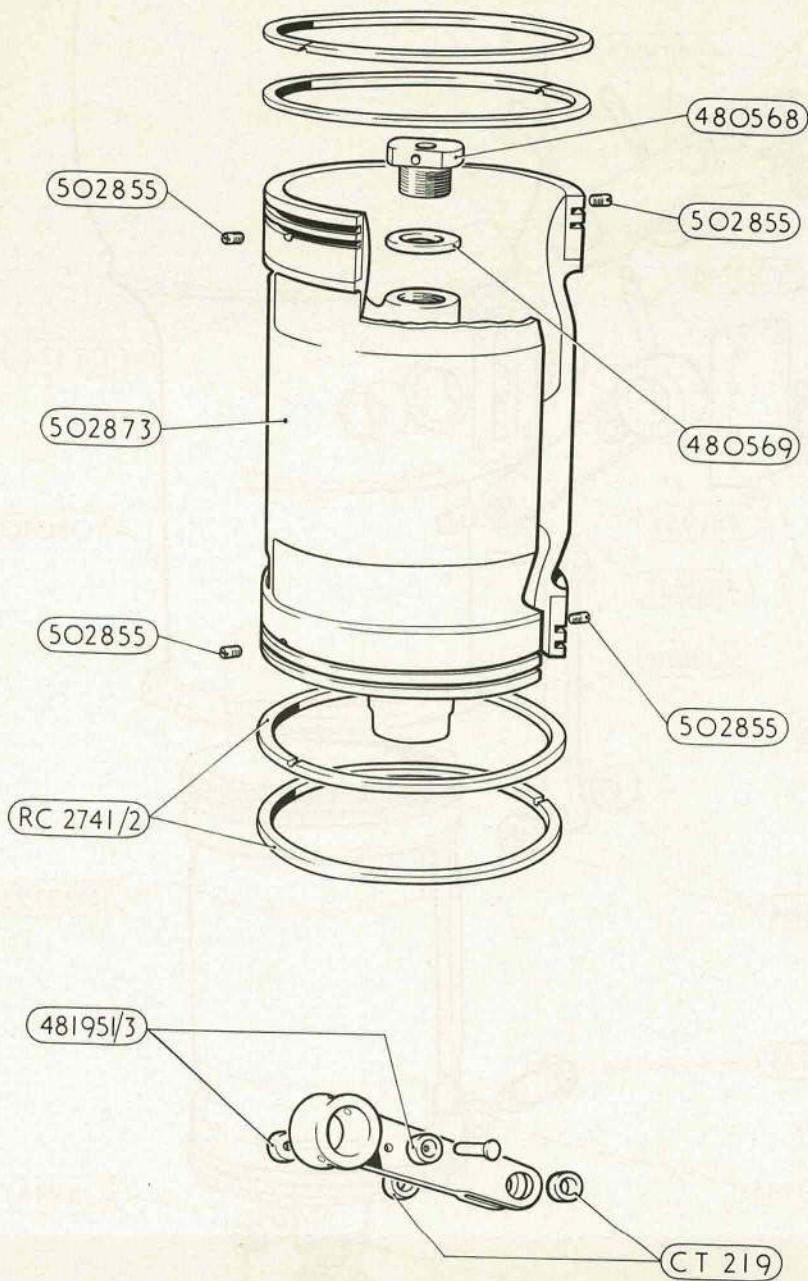
Page X

Row	Value	Control	Description
1
2
3
4
5
6
7
8
9
10
11
12
13
14
15
16
17
18
19
20
21
22
23
24
25
26
27
28
29
30
31
32
33
34
35
36
37
38
39
40
41
42
43
44
45
46
47
48
49
50
51
52
53
54
55
56
57
58
59
60
61
62
63
64
65
66
67
68
69
70
71
72
73
74
75
76
77
78
79
80
81
82
83
84
85
86
87
88
89
90
91
92
93
94
95
96
97
98
99
100



VALVE, FLOW CONTROL

PLATE X2



ASSEMBLIES, VARIOUS

This file was downloaded
from the RTFM Library.

Link: www.scottbouch.com/rtfm

Please see site for usage terms,
and more aircraft documents.

