

ARMAMENT
INSTALLATION OF ROCKET PROJECTILES, GUIDED WEAPONS
(FIRESTREAK AND BULL PUP) AND HEAVY STORES, CODED "AB"

Ref. No.	Part No.	Description	No. off	Material Specification	Class of Store of L.M.	Place No.
		INSTALLATION OF ROCKET PROJECTILES, GUIDED WEAPONS (FIRE-STREAK & BULL PUP) AND HEAVY STORES, CODED "AB"	1	—	—	
		INSTALLATION AT FRONT FACE OF FORWARD PRESSURE BULKHEAD (Drg. Nos. 10-20 N 9465 and 10-20 N 11421)	1	—	—	
	—	BLOCK , terminal, coded "NQ," group ...	1	—	—	
	DHS.456/5	BLOCK , terminal, 5-way, assembly ... (For breakdown see DHS. Data Sheet)	1	—	—	BA1
5X/9149641	PLESSEY CZ.26805	COVER , terminal block ...	1	—	P	BA13
5X/9450403	PLESSEY Z.28426	PILLAR , fixing, 4 BA ...	2	—	C	BA17
	—	BOARD , terminal, coded "NP," group ...	1	—	—	
5X/9402802	—	BOARD , terminal, 2-way ...	1	—	C	BA1
	10-20 N 9819A	COVER , assembly (Make from Ref. No. 5X/9402796)	1	—	LM	BA13
5X/9400057	—	FERRULE ...	2	—	C	
	5H/124	SOCKET , terminal, single tier ...	2	—	C	
	AS.2605/2	CABLE , bung A1, assembly (Mods. 758 and 2) (For cables circuit coded "AB")	1	—	ECC	BA1
	10-20 N 14911A	CABLE , coded "A.7-NQ-BP-BA," assembly (Pre Mod. 1265)	1	—	ECC	BA1
	10-20 N 20459A	CABLE , coded "A7-NQ-BP-BA," assembly (For cables circuit coded "AB") (Mod. 1265)	1	—	ECC	BA1
	10-22 N 1739A	TERMINAL , earth station 4, coded "A" and "B," group	1	—	—	
26DV/7529	DHS.438/C	TAG , corrosion ...	1	L.16	C	BA13
26DV/4969	DHS.437/C	TERMINAL , earth, assembly ... (For breakdown see DHS. Data Sheet)	1	—	C	BA1
		Attachments for DHS.437/C, Terminal:—				
28D/9133011	A25/2C	Bolt, 2 BA ...	2	—	C	
28W/9419402	SP.13/C	Washer ...	2	—	C	
		INSTALLATION OF AFT FACE OF FORWARD PRESSURE BULKHEAD (Drg. Nos. 10-20 N 9465 and 10-20 N 14289)	1	—	—	
	—	BLOCK , terminal, coded "ED," group ...	1	—	—	
	DHS.456/20	BLOCK , terminal, 20-way, assembly ... (For breakdown see DHS. Data Sheet)	1	—	—	BA3
5X/9149643	PLESSEY CZ.25111	COVER , terminal block ...	1	—	P	BA13
5X/1004086	—	LINK , commoning, transverse (Fit between terminals 6-16) (Mod. 990)	1	—	C	BA3
5X/9450403	PLESSEY Z.28426	PILLAR , fixing, 4 BA ...	2	—	C	BA17
	—	BLOCK , terminal, coded "EE," group ...	1	—	—	
	DHS.456/20L	BLOCK , terminal, 20-way, L.H., assembly ... (For breakdown see DHS. Data Sheet)	1	—	—	BA3
5X/9149643	PLESSEY CZ.25111	COVER , terminal block ...	1	—	P	BA13
5X/9450403	PLESSEY Z.28426	PILLAR , fixing, 4 BA ...	2	—	C	BA17
	10-20 N 9089A	CABLE , coded "A7-H-Q," assembly ... (Pre Mod. 803, Mod. 1265) (For cables circuit coded "AB")	1	—	ECC	BA3

**ARMAMENT
INSTALLATION OF ROCKET PROJECTILES, GUIDED WEAPONS
(FIRESTREAK AND BULL PUP) AND HEAVY STORES, CODED "AB"**

Ref. No.	Part No.	Description	No. off						Material Specification	Class of Store or L.M	Place No.
			1	2	3	4	5	6			
	10-20 N 20489A	CABLE , coded "A7-AM-Q," assembly ... (Mods. 1053 and 803) (For cables circuit coded "AB")	1						ECC	BA3	
	10-20 N 15267A	CABLE , coded "ABX-ED," assembly (Mod. 917)	1						ECC	BA3	
	10-20 N 20221A	CABLE , coded, "AN-ME," assembly (Mod. 990)	1						ECC	BA1	
	10-20 N 12287A/2	CABLE , coded "ME-ED," assembly (Mod. 416)	1						ECC	BA3	
	—	INSTALLATION IN NOSE BAY ... (Drg. No. 10-20 N 9465)	1								
11C/3079	MICROCELL LTD.	UNIT , ripple, firing, coded "NR" ...	1						P	BA1	
	—	INSTALLATION IN ROCKET BATTERY BAY (Drg. Nos. 10-20 F 1901, 10-20 N 9465 and 10-20 N 11595, Pre Mod. 1265)	1								
	MICROCELL LTD. E.3426/11	BATTERY , rocket, coded "NU," Port, assembly	1							BA1	
	MICROCELL LTD. E.3426/12	BATTERY , rocket, coded "NV," Starboard, assembly	1							BA1	
	10-20 N 10119A	CABLE , coded "NR1-NT," assembly ...	1						ECC	BA1	
	10-20 N 10121A	CABLE , coded "NR2-NS," assembly ...	1						ECC	BA1	
	10-20 N 11599A	CABLE , coded "NS-NU," assembly ...	1						ECC	BA1	
	10-20 N 11597A	CABLE , coded "NT-NV," assembly ...	1						ECC	BA1	
	MICROCELL LTD. KQ/249	CAP , end closure, c/w unitor plug, attached to rocket batteries coded "NU" and "NV"	2								
28E/14080	AS.3181/7C	CLIP , "P," ripple unit cable attachment, Port	3							C	
28E/14069	AS.3181/7B	CLIP , "P," ripple unit cable attachment, Starboard	7							C	
		Attachments for AS.3181/7B, Clip :—									
28D/1010658	A25/1B	Bolt, 4 BA	1							C	
28M/10327	AGS.2002/B/1	Nut, 4 BA	1							C	
28W/9419465	SP.13/B	Washer	1							C	
13890	10-20 N 11547	CLIP , saddle, 22 SWG Attachments for 10-20 N 11547, Clip :—	2					S.521	C	BA13	
28S/19075	A36/C14	Screw, 2 BA	2							C	
17857	10-20 N 11825A	SWITCH , micro, c/w cable, coded "NM," assembly (Mod. 358)	1							P BA1	
	10-20 N 11823A	SWITCH , micro, c/w cable, coded "NN," assembly (Mod. 358)	1							BA1	
	10-20 N 11825A/ CABLES	CABLE , assembly (For switch, coded "NM")	1						ECC	BA1	
	10-20 N 11823A/ CABLES	CABLE , assembly (For switch, coded "NN")	1						ECC	BA1	
13877	10-20 N 11437A	SWITCH , micro, pressure sealed, assembly	1						P	BA16	
13882	10-20 N 11483	ADAPTER , pressure test Attachments for 10-20 N 11483, Adapter :—	2					S.92	C	BA16	
28D/9140635	A25/3A	Bolt, 6 BA	2							C	

ARMAMENT
INSTALLATION OF ROCKET PROJECTILES, GUIDED WEAPONS
(FIRESTREAK AND BULL PUP) AND HEAVY STORES, CODED "AB"

Ref. No.	Part No.	Description	No. off	Material Specification	Class of Store or L.M	Place No.
2A/9424323	—	BALL , steel, 1/2" dia.	6	—	C	
13880	10-20 N 11459	BELLOWS	1	—	C	BA16
13879	10-20 N 11725ND	CIRCLIP , retaining, diaphragm housing, assembly	1	Spr. Stl.	C	BA16
13885	10-20 N 11447A	HOUSING , diaphragm, assembly ...	1	—	C	BA16
	10-20 N 11439	HOUSING , floating	1	S.92	—	BA16
13881	10-20 N 11443	HOUSING , guide	1	S.92	C	BA16
				or T.45		
13886	10-20 N 11493A	HOUSING , pressure seal, assembly ...	1	—	C	BA16
	10-20 N 11479A	OVER-RIDE , assembly	1	—	—	BA16
	10-20 N 11455	BUTTON , plunger	1	S.92	—	BA16
	10-20 N 11457	DISC , pressure	1	S.92	—	BA16
	10-20 N 11441	PAD , pressure	1	S.92	—	BA16
	10-20 N 11481ND	PEG , retaining, 16 SWG x 27 long	1	DTD.215	LM	BA16
	10-20 N 11453	ROD , plunger	1	S.92	—	BA16
13883	10-20 N 11461	SPRING , over-ride	1	DTD.5	C	BA16
28R/6757	AGS.565/A	PLUG , 1/2" BSP	1	—	C	
13884	10-20 N 11477A	PLUNGER , switch, assembly	1	—	C	BA16
	10-20 N 11451	RING , trap	1	S.92	—	BA16
28Q/7785	AS.460/207	RIVET , locking, operating button ...	1	—	C	
28F/9428452	AGS.1186/A	SEAL , bonded	1	—	C	
13878	10-20 N 12505ND	SHIM , "Attewell," between diaphragm	1	LA.3	C	BA16
		Attachments for 10-20 N 11825A or 10-20 N 11823A, Switch —				
28D/12536	A25/13C	Bolt, 2 BA	3	—	C	
28M/10288	AGS.2001/C/1	Nut, 2 BA	3	—	C	
28W/9419475	SP.15/C	Washer	3	—	C	
	—	INSTALLATION AT PILOT'S SWITCH PANEL, UPPER, CODED "H" (Drg. Nos. 10-20 N 15771 Pre Mod. 803, 10-20 N 22251 Mods. 1016 and 803, 10-20 N 15777 Pre Mod. 803 ; 10-20 N 22227A Mods. 1053 and 803, 10-20 N 13987 Mod. 803, 10-20 N 11421, 10-20 N 10767, 10-20 N 14289, 10-20 N 20315A, 10-20 N 23641 Mod. 1232, 10-20 N 23655 Mod. 1133)	1	—	—	
	—	BLOCK , terminal, coded "C3," group ...	1	—	—	
	DHS.456/20L	BLOCK , terminal, 20-way, L.H., assembly ... (For breakdown see DHS. Data Sheet)	1	—	—	BA2
5X/9149643	PLESSEY CZ.25111	COVER , terminal block	1	—	P	BA13
5X/1004083	—	LINK , commoning, 3-way	1	—	C	BA2
5X/1004082	—	LINK , terminal connecting, 2-way ...	2	—	C	BA2
7657	DHS.870/5	PILLAR , fixing, 4 BA	2	S.1	C	BA17
26DV/12296	DHS.489/5	SPACER	2	P.V.C.	C	BA13
18806	10-20 N 23023	TERMINAL , dummy (Fit at terminals Nos. 3, 6, 7, 11, 13, 16, 18, 19) (Mod. 1232)	8	LFS.21, 23 or 26	C	BA13
		Attachments for 10-20 N 23023, Terminal :—				
28S/1200049	A31/A12	Screw, 6 BA	1	—	C	
28W/9416641	SP.47/A	Washer	1	—	C	

**ARMAMENT
INSTALLATION OF ROCKET PROJECTILES, GUIDED WEAPONS
(FIRESTREAK AND BULL PUP) AND HEAVY STORES, CODED "AB"**

Ref. No.	Part No.	Description	No. off						Material Specification	Class of Store or L.M	Place No.
			1	2	3	4	5	6			
	—	BLOCK , terminal, coded "CK," group Pre-Mod. 1265	1						—	—	
	DHS.456/20L	BLOCK , terminal, 20-way, L.H., assembly ... (For breakdown see DHS. Data Sheet)	1						—	—	BA2
5X/9149643	PLESSEY CZ.25111	COVER , terminal block ...	1						—	P	BA13
7657	DHS.870/5	PILLAR , fixing, 4 BA ...	2					S.1		C	BA17
26DV/12296	DHS.489/5	SPACER ...	2					P.V.C.		C	BA13
	—	BLOCK , terminal, coded "CQ," group ...	1						—	—	
	DHS.456/20L	BLOCK , terminal, 20-way, L.H., assembly ... (For breakdown see DHS. Data Sheet)	1						—	—	BA2
5X/9149643	PLESSEY CZ.25111	COVER , terminal block ...	1						—	P	BA13
5X/6172	—	LINK , commoning, 4-way ...	1						—	C	BA2
5X/1004082	—	LINK , terminal connecting, 2-way ...	1						—	C	BA2
12732	10-20 N 8085	PILLAR , fixing, 4 BA ...	2					S.93		C	BA13
18806	10-20 N 23023	TERMINAL , dummy (Fit at terminals Nos. 6, 11, 14, 16, 18) (Mod. 1232)	5					LFS.21, 23 or 26		C	BA13
		Attachments for 10-20 N 23023, Terminal :—									
28S/1200049	A31/A12	Screw, 6 BA ...	1						—	C	
28VV/9416641	SP.47/A	Washer, spring ...	1						—	C	
	—	BLOCK , terminal, coded "CR," group ...	1						—	—	
	DHS.456/20L	BLOCK , terminal, 20-way, L.H., assembly ... (For breakdown see DHS. Data Sheet)	1						—	—	BA2
5X/9149643	PLESSEY CZ.25111	COVER , terminal block ...	1						—	P	BA13
5X/1004083	—	LINK , commoning, 3-way ...	2						—	C	BA2
5X/1004085	—	LINK , commoning, 5-way ...	1						—	C	BA2
12732	10-20 N 8085	PILLAR , fixing, 4 BA ...	2					S.93		C	BA13
5195	DHS.849	SCREW , terminal (Mod. 803 A/c.) ...	1					BS.249		C	BA12
	—	BLOCK , terminal, coded "CX," group ... (Mounted on Panel "H," Pre Mod. 803)	1						—	—	
	DHS.456/20L	BLOCK , terminal, 20-way, L.H., assembly ... (For breakdown see DHS. Data Sheet)	1						—	—	BA1
5X/9149643	PLESSEY CZ.25111	COVER , terminal block ...	1						—	P	BA13
13954	10-20 N 1605	PILLAR , fixing, 4 BA ...	1					S.92		C	EAN1
16351	10-20 N 12571	PILLAR , fixing, 4 BA ...	1					S.93		C	EAN1
	10-20 N 8367A	PLATE , mounting, terminal block, assembly	1						—	—	EAN1
28M/9434251	AGS.2008/B/1	NUT , anchor, 4 BA ...	1						—	C	
	10-20 N 8005ND	PLATE , bare, 16 SWG ...	1					L.72		LM	EAN1
26DV/12296	DHS.489/5	SPACER ...	1					P.V.C.		C	BA13
	—	BLOCK , terminal, coded "CX," group ... (Mounted on Panel "H-A," Mod. 803)	1						—	—	
	DHS.456/20	BLOCK , terminal, 20-way, assembly ... (For breakdown see DHS. Data Sheet)	1						—	—	BA1
5X/9149643	PLESSEY CZ.25111	COVER , terminal block ...	1						—	P	BA13
5X/9450403	PLESSEY Z.28426	PILLAR , fixing, 4 BA ...	2						—	C	BA17
	DHS.456/10L	BLOCK , terminal, coded "DC," group ...	1						—	—	
		BLOCK , terminal, 10-way, assembly ... (For breakdown see DHS. Data Sheet)	1						—	—	BA2
5X/3275	PLESSEY CZ.26808	COVER , terminal block ...	1						—	P	BA13
5X/1004082	—	LINK , terminal connecting, 2-way ...	1						—	C	BA2
12732	10-20 N 8085	PILLAR , fixing, 4 BA ...	2					S.93		C	BA13
18806	10-20 N 23023	TERMINAL , dummy (Fit at terminals Nos. 2, 5, 8) (Mod. 1232)	3					LFS.21, 23 or 26		C	BA13
		Attachments for 10-20 N 23023, Terminal :—									
28S/1200049	A31/A12	Screw, 6 BA ...	1						—	C	
28VV/9416641	SP.47/A	Washer, spring ...	1						—	C	

ALG 1.

**ARMAMENT
INSTALLATION OF ROCKET PROJECTILES, GUIDED WEAPONS
(FIRESTREAK AND BULL PUP) AND HEAVY STORES, CODED "AB"**

Ref. No.	Part No.	Description	No. off						Material Specification	Class of Store or L.M.	Plate No.
			1	2	3	4	5	6			
	—	BOARD , terminal, coded "DL," group ...						1	—	—	
5X/9402147	AS.2634	BOARD , terminal, 3-way, 19 amp. ...						1	—	C	BA2
28D/12009	AS.1246/7B	BOLT , 4 BA ...						2	—	C	
5X/9402795	AS.2602	COVER , terminal board... ..						1	—	C	
5X/	AS.2606	SOCKET						3	—	—	
26DV/12296	DHS.489/5	SPACER						2	P.V.C.	C	BA13
	10-20 N 9/563 Mk. 7	CABLE , coded "10.CR.H.AB★-AB★.★29.A.5," assembly						1	—	ECC	BA2
	10-20 N 9/563 Mk. 8	CABLE , coded "6.CR.H.AB★-AB★.★29.A.4," assembly						1	—	ECC	BA2
	10-20 N 15863A	CABLE , coded "H-H-ME-Q," assembly (Mod. 938, Pre Mod. 803)						1	—	ECC	BA2
	10-20 N 20685A	CABLE , coded "H-H-ME-Q," assembly (Mods. 938 and 803)						1	—	ECC	BA2
	10-20 N 12301A	CABLE , coded "EW1-H-N," assembly (Mod. 416)						1	—	ECC	BA3
	10-20 N 23499A	CABLE , coded "MP2-H-MQ1," assembly (Mod. 1280)						1	—	ECC	BA4
	10-20 N 15771/ CABLES	CABLES , link (Mod. 702, Pre Mod. 803)						QR	—	ECC	BA1
	10-20 N 22251/ CABLES	CABLES , link (Mods. 1016 and 803)						QR	—	ECC	BA1
	10-20 N 20315A/ CABLES	CABLES , link (Mod. 1042) (Pre Mod. 1265)						QR	—	ECC	BA1
	—	SWITCH , arming, coded "BT," and guard, group						1	—	—	
16642	10-20 N 14365A	GUARD , switch, assembly (Mod. 886) Spares for :—						1	—	C	BA15
	—	PIN						1	—	C	BA15
12244	10-20 N 10153	SPRING						1	—	C	BA15
16643	10-20 N 14363	WASHER						1	—	C	
28W/1200070	SP.23/Y	Attachments for 10-20 N 14365A, Guard :—									
	28M/10286	Nut, 6 BA						2	—	C	
	28S/1200058	Screw, 6 BA						2	—	C	
	10F/0510580	SWITCH , toggle						1	—	P	BA1
	—	SWITCH , heavy stores jettison, Port, coded "BR," group						1	—	—	
	5CW/5060	SHROUD						1	—	C	
	—	Attachments for Ref. No. 5CW/5060, Shroud:—									
	28M/9403517	Nut, 8 BA						2	—	C	
	28S/9132084	Screw, 8 BA						2	—	C	
	28W/16096	Washer, shakeproof						2	—	C	
	DOWTY	SWITCH , push, Type B						1	—	P	BA1
	SCW/5057	SWITCH , heavy stores jettison, Starboard, coded "BS," group						1	—	—	

ARMAMENT
INSTALLATION OF ROCKET PROJECTILES, GUIDED WEAPONS
(FIRESTREAK AND BULL PUP) AND HEAVY STORES, CODED "AB"

Ref. No.	Part No.	Description	1 2 3 4 5 6						No. off	Material Specification	Class of Store or L.M.	Plate No.
			5CW/5060	DOWTY D.5194Y	SHROUD							
28M/9403517	A47/Z	Attachments for Ref. No. 5CW/5060, Shroud:—										
28S/9132084	A33/Z12	Nut, 8 BA						2	—	C		
28W/16096	AGS.2035/AA	Screw, 8 BA						2	—	C		
		Washer, shakeproof						2	—	C		
5CW/5057	DOWTY C.5162Y Mk. 3	SWITCH , push, Type B						1	—	P	BA1	
10F/0510582	—	SWITCH , heavy stores selector, Port, coded "BL"						1	—	P	BA1	
10F/0510582	—	SWITCH , heavy stores selector, Starboard, coded "BM"						1	—	P	BA1	
		SWITCH , jettison by firing, outers, coded "AZ," and guard, group						1	—	—		
16905	10-20 N 15793A	GUARD , switch, assembly (Mod. 702) ...						1	—	C	BA15	
		Spares for:—										
12241	10-20 N 10155	PIN						1	—	C	BA15	
12242	10-20 N 10133	SPRING						1	—	C	BA15	
28W/1200070	SP.23/Y	WASHER						1	—	C		
		Attachments for 10-20 N 15793A, Guard:—										
28M/10287	AGS.2001/B/1	Nut, 4 BA						2	—	C		
28S/9435716	A33/B12	Screw, 4 BA						2	—	C		
		LABEL , "OUTERS," 24 SWG (Mod. 702) ...						1	L.72	LM	BA15	
10F/0510584	—	SWITCH , toggle						1	—	P	BA1	
		SWITCH , light stores jettison, outers, coded "AY," and guard, group						1	—	—		
16905	10-20 N 15793A	GUARD , switch, assembly (Mod. 702) ...						1	—	C	BA15	
		Spares for:—										
12241	10-20 N 10155	PIN						1	—	C	BA15	
12242	10-20 N 10133	SPRING						1	—	C	BA15	
28W/1200070	SP.23/Y	WASHER						1	—	C		
		Attachments for 10-20 N 15793A, Guard:—										
28M/10287	AGS.2001/B/1	Nut, 4 BA						2	—	C		
28S/9435716	A33/B12	Screw, 4 BA						2	—	C		
		LABEL , "OUTERS," 24 SWG (Mod. 702) ...						1	L.72	LM	BA15	
10F/0510581	—	SWITCH , toggle						1	—	P	BA1	
		SWITCH , master armament, c/w cables, coded "H-HD-H," assembly (Mod. 556)						1	—	—		
		CABLE , assembly						1	—	ECC	BA1	
14386	10-20 N 9865A	SWITCH , assembly						1	—	P		
14387	10-20 N 9863ND	KNOB						1	—	C		
5CW/6377	—	SWITCH , Type 10B, No. 1						1	—	P	BA1	
		Attachments for 10-20 N 13259A, Switch:—										
28S/1200057	A33/A8	Screw, 6 BA						4	—	C		
		SWITCH , master jettison, coded "DR," and guard, group (Mod. 1133)						1	—	—		
17285	10-20 N 22333A	GUARD , switch, assembly (Mod. 1016) ...						1	—	C	BA15	
		Spares for:—										
12244	10-20 N 10153	PIN						1	—	C	BA15	
16643	10-20 N 14363	SPRING						1	—	C	BA15	

ARMAMENT
INSTALLATION OF ROCKET PROJECTILES, GUIDED WEAPONS
(FIRESTREAK AND BULL PUP) AND HEAVY STORES, CODED "AB"

Ref. No.	Part No.	Description	No. off	Material Specification	Class of Store or L.M.	Plate No.
28W/1200070	SP.23/Y	WASHER	1	—	C	
		Attachments for 10-20 N 22333A, Guard :—				
28M/10286	AGS.2001/A/1	Nut, 6 BA	2	—	C	
28S/1200058	A33/A12	Screw, 6 BA	2	—	C	
10F/0510583	—	SWITCH , toggle	1	—	P	BA1
10F/0510577	—	SWITCH , nose/tail fusing, coded "DE" ...	1	—	P	BA1
10F/0510578	—	SWITCH , pairs/single, coded "BA" ...	1	—	P	BA1
5CW/6957	PAGE ENGINEERING C.181/E/5	SWITCH , push button, arming indication, coded "AV"	1	—	C	BA1
		Spares for :—				
5L/9959118	—	LAMP , electric, filament, 28 volts, 0.04 amp.	1	—	C	
10F/0510554	N.S.F.	SWITCH , L.S. BOMBS, coded "EW" (Mod. 1265)	1	—	P	
28F/0510578	—	SWITCH , rocket battery, normal/extended, coded "BE" (Pre Mod. 1265)	1	—	P	BA1
10F/0510583	—	SWITCH , L.S. pairs/single, coded "EX" ... (Mod. 1265)	1	—	P	BA1
5CW/2910	EL.26270	SWITCH , rotary, Type B. L.S. pylon selector, coded "AR"	1	—	P	BA1
		Attachments for Ref. No. 5CW/2910, Switch :—				
28M/10286	AGS.2001/A/1	Nut, 6 BA	4	—	C	
28S/1200060	A33/A16	Screw, 6 BA	4	—	C	
10F/0510581	—	SWITCH , rocket projectile flares firing, coded "BQ," and guard, group (Mod. 1133)	1	—	P	BA1
17285	10-20 N 22333A	GUARD , switch, assembly (Mod. 1016) ...	1	—	C	BA15
		Spares for :—				
12244	10-20 N 10153	PIN	1	—	C	BA15
16643	10-20 N 14363	SPRING	1	—	C	BA15
28W/1200070	SP.23/Y	WASHER	1	—	C	
		Attachments for 10-20 N 22333A, Guard :—				
28M/10286	AGS.2001/A/1	Nut, 6 BA	2	—	C	
28S/1200058	A33/A12	Screw, 6 BA	2	—	C	
20471	10-20 N 24595 ND	SCREEN	1	—	C	BA15
10F/0510581	—	SWITCH , toggle	1	—	P	BA1
5D/1760	EL.38780	SWITCH , rocket projectiles selector, coded "BP"	1	—	P	BA1
		Attachments for Ref. No. 5D/1760, Switch :—				
28M/10287	AGS.2001/B/1	Nut, 4 BA	4	—	C	
7651	10-20 N 4755	Screw, special, 4 BA, 120° head	4	—	C	BA13
10F/0510575	—	SWITCH , V.T. fusing, coded "DF"	1	—	P	
28W/9418683	SP.22/A	WASHER , at terminals on rocket projectile switch, coded "BP"	8	—	C	
		INSTALLATION AT PILOTS' SWITCH PANEL, LOWER, CODED "H" (Drg. Nos. 10-20 N 15833A Mod. 702, Pre Mod. 803 and 10-20 N 15709A (Mod. 803)	1	—	—	
		BLOCK , fuse, coded "CV," group	1	—	—	
		BLOCK , fuse, 12-way (See sub-section EBV)	—	—	—	
10H/23864	—	FUSE , 5 amp. (Pre Mod. 1265)	1	—	C	BA2

**ARMAMENT
INSTALLATION OF ROCKET PROJECTILES, GUIDED WEAPONS
(FIRESTREAK AND BULL PUP) AND HEAVY STORES, CODED "AB"**

Ref. No.	Part No.	Description	No. off	Material Specification	Class of Store or L.M.	Plate No.
	—	INSTALLATION AT GROUP, CODED "E," FRAME 96, PORT (Drg. Nos. 10-20 CE 4777 Mod. 702, Pre Mod. 1030 and 10-20 CE 8117A Mods. 1030 and 702)	1	—	—	
	—	SWITCHES , clear wing jettison, group (Mod. 702)	1	—	—	
	10-20 N 14681	LABEL , "clear wing jettison," 22 SWG ...	1	L.72	LM	BA14
16920	10-20 N 14361A	SWITCH , jettison, assembly ...	1	—	C	BA14
		Spares for :—				
28P/19373	SP.90/A3	PIN , split (SP.9/A4) ...	2	—	C	
		Attachments for 10-20 N 14361A, Switch :—				
28M/10286	AGS.2001/A/1	Nut, 6 BA ...	2	—	C	
28S/1006979	A32/A10	Screw, 6 BA ...	2	—	C	
	10-20 N 14679A	SWITCHES , push, coded "F" and "H," c/w cables, assembly	1	—	—	BA14
	10-20 N 14679A/ CABLES	CABLE , coded "Q28-ME-E.F.-E.H-HO," assembly	1	—	ECC	BA2
16903	10-20 N 14389	PILLAR , fixing	4	—	C	BA14
		Attachments for 10-20 N 14389, Pillar :—				
28M/10287	AGS.2001/B/1	Nut, 4 BA ...	1	—	C	
28VW/9419465	SP.13/B	Washer ...	1	—	C	
	10-20 N 14391	PLATE , mounting, push switches, 16 SWG	1	L.72	LM	BA14
5CW/9438526	—	SWITCH , push, Type B ...	2	—	P	BA2
		Attachments for Ref. No. 5CW/9438526, Switch :—				
28M/9403517	A47/Z	Nut, 8 BA ...	2	—	C	
28M/9131100	A48/Z	Nut, 8 BA ...	2	—	C	
28S/9135420	A32/Z12	Screw, 8 BA ...	2	—	C	
		Attachments for 10-20 N 14679A, Switches :—				
28S/120080	A32/B8	Screw, 4 BA (lower attachment) ...	2	—	C	
28S/13887	A32/B10	Screw, 4 BA (upper attachment) ...	2	—	C	
28VW/1206041	AGS.2035/B	Washer, shakeproof ...	4	—	C	
	—	INSTALLATION OF GROUP, CODED "PF," NOSE WHEEL WELL WALL, STARBOARD (Drg. No. 10-20 N 14291 Pre Mod. 1265)	1	—	—	
18854	10-20 N 13357A	BOX , time delay unit, c/w wiring and equipment, coded "PF," assembly (Mod. 556, Pre Mod. 1265)	1	—	P	BA16
	10-20 N 13133A	BOX , time delay unit, less wiring and equipment, assembly	1	—	—	BA16
	10-20 N 13141ND	BOX , bare, 20 SWG ...	1	L.72	LM	BA16
	10-20 N 13135ND	BRACKET , support, 20 SWG ...	2	L.72	LM	BA16
	FERRANTI 94/10834	GLAND ...	1	—	—	
28M/9435066	AGS.2008/A/1	NUT , anchor, 6 BA ...	2	—	C	
28M/9132600	AGS.2019/A/1	NUT , anchor, 6 BA ...	2	—	C	
	10-20 N 13137ND	PLATE , end, 20 SWG ...	2	L.72	LM	BA16
	10-20 N 13139ND	PLATE , end, 20 SWG ...	1	L.72	LM	BA16
15706	10-20 N 13171	BRACKET , mounting, relay ...	1	—	C	BA16

**ARMAMENT
INSTALLATION OF ROCKET PROJECTILES, GUIDED WEAPONS
(FIRESTREAK AND BULL PUP) AND HEAVY STORES, CODED "AB"**

Ref. No.	Part No.	Description	No. off	Material Specification	Class of Store or L.M.	Plate No.
	10-20 N 13173	BRACKET , support, 18 SWG	2	L.72	LM	BA16
28M/10326	AGS.2002/A/1	Attachments for 10-20 N 13173, Bracket :—				
28S/1006979	A32/A10	Nut, 6 BA	4	—	C	
28W/9419464	SP.13/A	Screw, 6 BA	4	—	C	
		Washer	4	—	C	
	10-20 N 13357A/ CABLES	CABLE , assembly	1	—	ECC	BA2
5CZ/5844	PLESSEY C.E.51101	CAPACITOR , 50 mfd., coded "E"	1	—	P	
10C/0120138	PLESSEY C.E.51102	CAPACITOR , 140 mfd., coded "F" (5910-99-012-0138)	1	—	P	
	SRDE/PS 8747	CORD	QR	Nylon	—	
	PAGE ENGINEERING A345	COVER , capacitor	2	—	C	EBR2
12721	10-20 N 13209A	COVER , trimmer, assembly	1	—	—	BA16
	10-20 N 13223ND	COVER , bare, 22 SWG	1	L.72	LM	BA16
	10-20 N 13211ND	PLATE , end, bare, 22 SWG	2	L.72	LM	BA16
		Attachments for 10-20 N 13209A, Cover :—				
28S/1006948	A32/A12	Screw, 6 BA	2	—	C	
28W/9419464	SP.13/A	Washer	2	—	C	
	5K/—	GROMMET (Alternative DHS.1790/B4)	1	—	C	
	5K/—	GROMMET (Alternative DHS.1790/B8)	1	—	C	
	AVERY LTD. AVA.2305H	MOUNTING , anti-vibration	4	—	—	
	10-20 N 13227	PLATE , base	1	LFS.21, 23 or 26	LM	BA16
		Attachments for 10-20 N 13227, Plate :—				
28S/1200056	A33/A10	Screw, 6 BA	2	—	C	
	COLVERN CLR.1501/263	POTENTIOMETER , coded "D"	1	—	P	
5999-99-027-0258	—	Attachments for CLR.1501/263, Potentiometer:—				
		Nut, locking	1	—	C	
	ERICSSON N22371AD1	RELAY , magnetic, coded "A"	1	—	P	
10F/0119161	ERICSSON N22365AD1	RELAY , magnetic, coded "B"	1	—	P	
10F/0119139	ERICSSON N22364AF1	RELAY , magnetic, coded "C"	1	—	P	
		Attachments for N22371AD1, N22365AD1 or N22364AF1, Relay :—				
28M/10327	AGS.2002/B/1	Nut, 4 BA	2	—	C	
28S/9992525	A32/B12	Screw, 4 BA	2	—	C	
28W/9419465	SP.13/B	Washer	2	—	C	
	20987	WASHER	QR	—	C	
		Attachments for 10-20 N 13357A, Box :—				
28E/1201809	AS.3180/6B	Clip, "P"	2	—	C	
28S/1200034	A31/B16	Screw, 4 BA	4	—	C	
28W/9419474	SP.15/B	Washer (Fit under heads of screws securing "P" clips)	2	—	C	
	—	INSTALLATION AT COCKPIT WALL, STAR- BOARD, CODED "AFO" (Drg. No. 10-20 N 11421)	1	—	—	
	10-20 N 20379A	SWITCH , master armament, c/w wiring, coded "AFO," assembly (Mod. 1120)	1	—	—	BA17

**ARMAMENT
INSTALLATION OF ROCKET PROJECTILES, GUIDED WEAPONS
(FIRESTREAK AND BULL PUP) AND HEAVY STORES, CODED "AB"**

Ref. No.	Part No.	Description						No. off	Material Specification	Class of Store or L.M.	Place No.
		1	2	3	4	5	6				
18099	10-20 N 20379A/ CABLES							QR	—	ECC	BA3
	10-20 N 20387							1	—	C	BA17
18100	10-20 N 22241							2	—	C	BA17
28P/9527619	SP.90/C7							3	—	C	
28W/9419465	SP.13/B							2	—	C	
18098	10-20 N 22429A							1	—	—	BA17
	10-20 N 22431ND							1	S.510	LM	BA17
	10-20 N 22433ND							1	S.510	LM	BA17
	10-20 N 20925A							2	—	—	BA17
	10-20 N 20393							1	—	C	BA17
5CW/	CWC.EQUIPT.XD.789							1	—	P	BA3
28S/1007469	10-20 N 20913							1	L.64	—	BA17
	A33/B14							4	—	C	
28D/9133011	A25/2C							3	—	C	
28M/10288	AGS.2001/C/1							3	—	C	
28W/9419402	SP.13/C							3	—	C	
28W/9419402	SP.13/C							1	—	C	
	—							1	—	—	
	10-20 N 12305A							1	—	ECC	BA3
	10-20 N 13263A							1	—	ECC	BA3
	10-20 N 12295A							1	—	—	
5CW/6752	10-20 N 12295A/ CABLES							1	—	ECC	BA3
	—							1	—	C	
5CW/6508	—							1	—	P	BA3
	—							1	—	—	
	—							—	—	—	
5CW/5058	—							—	—	—	
	—							1	—	P	BA3
28M/9403517	A47/Z							2	—	C	
28S/9135420	A32/Z12							2	—	C	
28W/9419186	AGS.2035/AA							2	—	C	
	—							1	—	—	
5CW/4222	—							1	—	P	
28S/9419438	A32/B10							2	—	C	
	DHS.485							2	L.56	LM	
5CW/6430	—							1	—	P	BA3
	DHS.783/28/18							1	L.72	LM	

**ARMAMENT
INSTALLATION OF ROCKET PROJECTILES, GUIDED WEAPONS
(FIRESTREAK AND BULL PUP) AND HEAVY STORES, CODED "AB"**

Ref. No.	Part No.	Description	No. off	Material Specification	Class of Store or L.M.	Plate No.
	—	INSTALLATION IN COCKPIT, PORT STN. 118, CODED "MT" (Drg. Nos. 10-20 N 8003 and 10-20 N 10767)	1	—	—	
	10-22 N 1435A	BRACKET , plug coupler, coded "MT," assembly (For spares use 10-22 N 2049A/ND)	1	—	—	BA15
18733	10-22 N 2049A/ND	BRACKET , plug coupler, coded "MT," assembly (Spares condition)	1	—	C	
28D/1010658	A25/1B	Attachments for 10-22 N 1435A, Bracket :—				
28M/10287	AGS.2001/B/1	Bolt, 4 BA	4	—	C	
28V/9419465	SP.13/B	Nut, 4 BA	4	—	C	
		Washer	4	—	C	
	10-20 N 22891A	CABLE , coded "AFH3-MT3," assembly (Mod. 1133)	1	—	ECC	BA3
	10-20 N 9599A	CABLE , coded "MS2-MT1," assembly (Mod. 7)	1	—	ECC	BA4
	10-20 N 20935A	CABLE , coded "MT2-H-MD-AFH2," assembly (Mod. 1133)	1	—	ECC	BA3
	10-20 N 22759A	PLATE , blanking, c/w plugs, assembly (Mod. 1133)	1	—	LM	BA13
	10-20 N 13743ND	CORD , braided, lacquered nylon	QR	—	LM	BA13
	10-20 N 13765	DISC , 0"-78 dia. x 20 SWG (Mod. 554)	2	L.72	LM	BA13
10H/0970067	—	OUTLET , straight (5935-99-097-0067)	2	—	C	
	10-20 N 13747A	PLATE , blanking, assembly (Mod. 554)	1	—	—	BA13
	DHS.28/1	CLIP , 22 SWG	2	Comm. Alumn.	LM	BA13
	10-20 N 13741ND	PLATE , bare, 20 SWG	1	L.72	LM	BA13
10H/0560480	—	PLUG , coupler, 18-way (5935-99-056-0480)	1	—	C	
10H/0560490	—	PLUG , coupler, 25-way (5935-99-056-0490)	1	—	C	
	—	INSTALLATION AT NAVIGATOR'S AND I.F.F. PANEL, CODED "AN" (Drg. Nos. 10-20 N 20315A and 10-20 N 20443)	1	—	—	
5CX/5383	PAGE ENGINEERING C.500/B/7	LAMP , test, guided weapons acquisition, coded "L" and "Q"	2	—	P	
5CW/6634	—	SLEEVE , cable, lamp	2	—	C	
5CW/6853	—	SWITCH , magnetic, Type 10B, No. 15, coded "G"	1	—	P	BA1
28D/1214428	AS.4597/8B	Attachments for Ref. No. 5CW/6853, Switch :—				
28M/10287	AGS.2001/B/1	Bolt, 4 BA	4	—	C	
		Nut, 4 BA	4	—	C	
	—	INSTALLATION AT EARTH STN. 29, ON TOP STARBOARD LONGERON, FORWARD OF FRAME STN. 118"5 (Drg. No. 10-20 FS 20479 Mod. 1085)	1	—	—	
26DV/7529	DHS.438/C	TAG , corrosion	1	—	C	BA13
6608	10-20 N 2295A	TERMINAL , earth, 45°, coded "A," assembly	1	—	C	BA1
	10-20 N 2297A	BRACKET , assembly	1	—	LM	EBY8
	DHS.436ND	PLATE , doubling, 14 SWG	1	BS.265	LM	EBY8
	10-20 N 2299ND	PLATE , terminal, 16 SWG	1	BS.265	LM	EBY8
26DV/11786	AS.2751	CIRCLIP	4	—	C	EBY8
12687	DHS.379/1	LABEL , half	1	—	C	EBY8
12688	DHS.379/2	LABEL , half	1	—	C	EBY8

ARMAMENT
INSTALLATION OF ROCKET PROJECTILES, GUIDED WEAPONS
(FIRESTREAK AND BULL PUP) AND HEAVY STORES, CODED "AB"

Ref. No.	Part No.	Description	No. off						Material Specification	Class of Store or L.M	Plate No.
			1	2	3	4	5	6			
26DV/11785	AS.2749	SOCKET, half						8	—	C	EBY8
5X/9028	AS.2747	SOCKET, terminal, assembly						4	—	C	EBY8
26DV/11787	AS.2752	SPACER						4	—	C	EBY8
		Attachments for 10-20 N 2295A, Terminal :—									
28D/9140202	AS.1246/1C	Bolt, 2 BA						2	—	C	
28M/10288	AGS.2001/C/1	Nut, 2 BA						2	—	C	
28W/9419454	SP.10/C	Washer						2	—	C	
	—	INSTALLATION AT CONTROL COLUMN (Drg. No. 10-20 N 13991A)						1	—	—	
	10-20 N 13991A/ CABLES	CABLE, control column, assembly (For cables circuit coded "AB")						1	—	ECC	BA2
	—	SWITCHES, weapons and camera (Supplied with control handle—see sub-section CA)						—	—	—	
	—	INSTALLATION AT THROTTLE BOX AND GROUP, CODED "F," FUSE- LAGE SIDE, PORT (Drg. Nos. 10-20 CE 4643A, 10-20 N 13463. 10-20 N 14289A and 10-20 N 23641 Mod. 1232)						1	—	—	
	—	BLOCK, terminal, coded "C," group						1	—	—	
	10-20 N 7215A	BLOCK, terminal, assembly						1	—	—	
	DHS.456/10L	BLOCK, terminal, 10-way, L.H., assembly (For breakdown see DHS. Data Sheet)						1	—	—	BA2
28S/9137407	A43/A8	SCREW, 6 BA } Use in lieu of						1	—	C	
28W/9137412	AGS.2037/A	WASHER, shakeproof } terminal No. 10						1	—	C	
	10-20 N 7327A	COVER, terminal block (Make from Ref. No. 5X/3275)						1	—	LM	BA13
5X/9450403	PLESSEY Z.28426	PILLAR, fixing, 4 BA (5340-99-945-0403) ...						2	—	C	BA17
18806	10-20 N 23023	TERMINAL, dummy (Fit at terminals Nos. 6 and 9) (Mod. 1232)						2	—	C	BA13
		Attachments for 10-20 N 23023, Terminal :—									
28S/1200049	A31/A12	Screw, 6 BA						1	—	C	
28W/9416641	SP.47/A	Washer, spring						1	—	C	
	—	BLOCK, terminal, coded "E," group						1	—	—	
	DHS.456/20L	BLOCK, terminal, 20-way, L.H., assembly ... (For breakdown see DHS. Data Sheet)						1	—	—	BA2
	—	BRACKET, mounting (See sub-section KQ)						—	—	—	
5X/9149643	PLESSEY CZ.25111	COVER, terminal block (5940-99-914-9643)						1	—	C	BA13
12732	10-20 N 8085	PILLAR, fixing, 4 BA						2	—	C	BA13
18806	10-20 N 23023	TERMINAL, dummy (Fit at terminals Nos. 3, 6, 9) (Mod. 1232)						3	—	C	BA13
		Attachments for 10-20 N 23023, Terminal :—									
28S/1200049	A31/A12	Screw, 6 BA						1	—	C	
28W/9416641	SP.47/A	Washer, spring						1	—	C	
	10-20 N 12477A	CABLE, coded "F-ME-Q," assembly (Mod. 416) (Pre Mod. 1101)						1	—	ECC	BA2
	10-20 N 23773A	CABLE, coded "F-ME-Q," assembly (Mod. 1101)						1	—	ECC	BA2
	10-20 N 12129A	SWITCH, micro, c/w cable, assembly (Mod. 416)						1	—	—	
	10-20 N 12129A/ CABLES	CABLE, assembly						1	—	ECC	BA2
	DOWTY	SWITCH, micro						1	—	P	BA2
5CW/4742	C.1831Y Mk. 1 OR										
	DOWTY										
5CW/6976	C.1831Y Mk. 101C	SWITCH, micro						1	—	P	BA2
		Attachments for 10-20 N 12129A, Switch :—									
28D/1011025	A25/24C	Bolt, 2 BA						3	—	C	

ARMAMENT
INSTALLATION OF ROCKET PROJECTILES, GUIDED WEAPONS
(FIRESTREAK AND BULL PUP) AND HEAVY STORES, CODED "AB"

Ref. No.	Part No.	Description	No. off						Material Specification	Class of Store or L.M	Plate No.
			1	2	3	4	5	6			
	—	INSTALLATION ON NAVIGATOR'S R.H. INSTRUMENT PANEL, CODED "N" (Drg. Nos. 10-20 N 9009A/1 and 10-20 N 8831)	1						—	—	
	—	BLOCK , terminal, 2-way, coded "K," group ...	1						—	—	
	DHS.456/2	BLOCK , terminal, 2-way, assembly ... (For breakdown see DHS. Data Sheet)	1						—	—	BA3
5X/3272	PLESSEY CZ.26799	COVER , terminal block ...	1						—	C	BA13
26DV/7571	10-20 N 983	NUT , slotted ...	2					BS.249	C	C	BA13
28S/12599	AS.2991/8B	SCREW , 4 BA ...	2						—	C	
28VV/9419465	SP.13/B	WASHER ...	1						—	C	
28VV/1206041	AGS.2035/B	WASHER , shakeproof ...	2						—	C	
	10-20 N 9009A/1/ CABLES	CABLES , link ...	QR						—	ECC	BA3
	—	INDICATOR , armed time, coded "A," group	1						—	—	
75BB/24	—	INDICATOR , armed time ...	1						—	P	BA3
	28S/9150965	Attachments for Ref. No. 75BB/24, Indicator:— Screw, 6 BA ...	4						—	C	
	10-20 N 8739A	PLATE , adaptor, assembly ...	1						—	—	BA13
	10-20 N 8741ND	DOUBLER , 18 SWG ...	1					L.72	LM	LM	BA13
	10-20 N 8743ND	PLATE , 20 SWG ...	1					L.72	LM	LM	BA13
	28M/10287	Attachments for 10-20 N 8739A. Plate:— Nut, 4 BA ...	3						—	C	
28S/9137013	AS.2991/4B	Screw, 4 BA ...	3						—	C	
28VV/9419465	SP.13/B	Washer ...	3						—	C	
	—	INSTALLATION AT COCKPIT FLOOR, AFT, STARBOARD, CODED "MB" (Drg. No. 10-20 N 14289)	1						—	—	
15606	10-20 N 13869A	CABLE , bung "NB-MB," c/w sealing plate, assembly (Mod. 431, Pre Mod. 1270)	1						—	P	BA3
	10-20 N 23467A	CABLE , bung "NB-MB," c/w sealing plate, assembly (Mod. 1270) Spares for:—	1						—	ECC	
42340	10-20 N 9829A	PLATE , cooling, coded "MB," Starboard, assembly.	1						—	C	BA17
	28D/9133012	Attachments for 10-20 N 13869A or 10-20 N 23467A, Cable:— Bolt, 2 BA ...	8						—	C	
12200	10-20 N 9643	Gasket, sealing ...	1						—	C	BA17
28VV/9419402	SP.13/C	Washer ...	8						—	C	
	—	INSTALLATION AFT OF NAVIGATOR'S SEAT, CODED "EW" (Drg. Nos. 10-20 F 8093A and 10-20 N 14289)	1						—	—	
	10-20 N 9565A	CABLE , coded "EW2-Q," assembly ...	1						—	ECC	BA3
	—	GUARD , half minute interval timer (See sub-section KA)	—						—	—	
75BB/25	—	TIMER , half minute interval (Mod. 956) ...	1						—	P	BA3
	10-20 F 8095ND	Attachments for Ref. No. 75BB/25, Timer:— Block, packing, 0"-6 x 0"-6 x 3"-13, long ...	2						LFS.21 or 23	LM	
28D/11799	AS.1248/9B	Bolt, 4 BA ...	4						—	C	
28M/10287	AGS.2001/B/1	Nut, 4 BA ...	4						—	C	
28VV/9419465	SP.13/B	Washer ...	4						—	C	

ARMAMENT
INSTALLATION OF ROCKET PROJECTILES, GUIDED WEAPONS
(FIRESTREAK AND BULL PUP) AND HEAVY STORES, CODED "AB"

Ref. No.	Part No.	Description	No. off	Material Specification	Class of Store or L.M	Place No.
	—	INSTALLATION AT GROUP, CODED "NZ,"	1	—	—	
		AFT OF PILOT'S SEAT (Drg. Nos. 10-20 N 11421, 10-20 N 23039A, Mod. 1232, Pre Mod. 1270 and 1265, 10-20 N 23885A Mod. 1270, Pre Mod. 1265, 10-20 N 23923A Mod. 1265, Pre Mods. 1270 and 1061, 10-20 N 23935A Mod. 1270, Pre Mod. 1265, 10-20 N 24459A Mod. 1061, Pre Mod. 1270, 10-20 N 24457A Mod. 1061, Pre Mod. 1270 and 10-20 N 23641 Mod. 1232)				
	DHS.456/20	BLOCK , terminal, coded "B," group	1	—	—	
		BLOCK , terminal, 20-way, assembly (Terminals 1-20) (For breakdown see DHS. Data Sheet)	1	—	—	BA3
18808	10-20 N 23033	PILLAR , fixing, 4 BA	2	S.92	C	BA13
28S/6287	A32/B6	SCREW , 4 BA	2	—	C	
18806	10-20 N 23023	TERMINAL , dummy (Fit at terminals Nos. 3, 6, 8, 10, 12, 14, 16) (Mod. 1232)	7	LFS.21, 23 or 26	C	BA13
		Attachments for 10-20 N 23023, Terminal :—				
28S/1200049	A31/A12	Screw, 6 BA	1	—	C	
28W/9416641	SP.47/A	Washer	1	—	C	
28W/9419465	SP.13/B	WASHER , below terminal block, opposite end to bracket	1	—	C	
28W/1200328	AGS.2037/B	WASHER , shakeproof	2	—	C	
	10-20 N 12303A	CABLE , coded "NZ-Q," assembly (Mod. 416 and 1265)	1	—	ECC	BA3
	—	INSTALLATION AFT OF PILOT'S SEAT,	1	—	—	
		CODED "MQ" (Drg. Nos. 10-20 N 10899 and 10-20 N 10767)				
	10-20 N 9587A	CABLE , coded "MR1.TEST-MQ2," assembly ...	1	—	ECC	BA4
	10-20 N 20861A	UNIT , relay control, coded "MQ1," wired, assembly (Mod. 1004)	1	—	—	BA4
		Spares for :—				
	10-20 N 20861A/ CABLES	CABLES , link	QR	—	ECC	
	10-20 N 20797A	UNIT , relay control, less wiring, assembly (Mod. 1004)	1	—	—	
	10-20 N 20793	BOARD , insulating (Mod. 1004)	1	LFS.21, 23 or 26	LM	BA14
	10-20 N 20789A	BOARD , tag, assembly (Mod. 1004) ...	1	—	—	BA14
	10-20 N 20787ND	BOARD , tag, 2"6 x 0"5 x $\frac{3}{16}$ " thick	1	LFS.21, 23 or 26	LM	BA14
10H/0560066	HARWIN H.2074Z	TERMINAL , post	2	—	C	
		Attachments for 10-20 N 20793 and 10-20 N 20789A, Boards :—				
28M/10286	AGS.2001/A/1	Nut, 6 BA	2	—	C	
28S/1011484	A32/A20	Screw, 6 BA	2	—	C	
28W/9419473	SP.15/A	Washer	4	—	C	
	10-20 N 6345A	BOX , relay control unit, assembly ...	1	—	—	BA14
	10-20 N 6343ND	ANGLE , 20 SWG	2	L.72	LM	BA14
	10-20 N 6341ND	BOX , bare, 20 SWG	1	L.72	LM	BA14
28M/9435067	AGS.2008/C/1	NUT , anchor, 2 BA	2	—	C	

**ARMAMENT
INSTALLATION OF ROCKET PROJECTILES, GUIDED WEAPONS
(FIRESTEAK AND BULL PUP) AND HEAVY STORES, CODED "AB"**

Ref. No.	Part No.	Description	No. off						Material Specification	Class of Store or L.M	Plate No.
			1	2	3	4	5	6			
5CZ/5073	—	INDICATOR , electro-magnetic, Type A2, coded "C"	1						—	P	
	10-20 N 6363	LID , relay control unit box, 20 SWG ...	1					L.72	LM	BA14	
28S/13742	A32/C14	Attachments for 10-20 N 6363, Lid :—									
28VV/9419454	SP.10/C	Screw, 2 BA ...	2					—	C		
		Washer ...	2					—	C		
10H/0560150	—	PLUG , fixed, 12-way ...	1					—	C		
	10-20 N 7775A	RELAY , c/w bracket, assembly ...	1					—	—	BA14	
	10-20 N 7769A	BRACKET , relay, assembly ...	1					—	—	BA14	
	10-20 N 7771ND	BRACKET , bare, 18 SWG ...	1					L.72	LM	BA14	
28M/9434251	AGS.2008/B/1	NUT , anchor, 4 BA ...	2					—	C		
	ERICSSON										
5945-99-011-9145	N.22364 AD1	RELAY , miniature, Type 2, coded "A"	1					—	C	BA14	
		Attachments for N.22364 AD1, Relay :—									
28M/10327	AGS.2002/B/1	Nut, 4 BA ...	2					—	C		
28S/1201448	A31/B10	Screw, 4 BA ...	2					—	C		
28VV/9480389	SP.26/B	Washer ...	4					—	C		
		Attachments for 10-20 N 7775A, Relay :—									
28S/9419435	A31/B12	Screw, 4 BA ...	2					—	C		
28VV/9419401	SP.10/B	Washer (Fit as required) ...	QR					—	C		
28VV/9419465	SP.13/B	Washer ...	2					—	C		
28VV/0113308	—	RESISTOR , 330 ohms, coded "D" ...	1					—	C		
	—	SWITCH , coded "B," group ...	1					—	—		
5CW/5060	—	SHROUD , for switch ...	1					—	C		
		Attachments for Ref. No. 5CW/5060, Shroud :—									
28M/9403517	A47/Z	Nut, 8 BA ...	2					—	C		
28S/1202013	A31/Z8	Screw, 8 BA ...	2					—	C		
28VV/1200072	SP.26/Z	Washer ...	2					—	C		
5CW/9438526	—	SWITCH , push button, Type B ...	1					—	P		
		Attachments for 10-20 N 20861A, Unit :—									
28D/11971	AS.1246/4C	Bolt, 2 BA ...	4					—	C		
28VV/9419454	SP.10/C	Washer ...	4					—	C		
	—	INSTALLATION AT COCKPIT WALL STARBOARD, STNS. 154"39-167", CODED "MK" (Drg. Nos. 10-20 A 1881, 10-20 N 14289)	1					—	—		
75BB/867	—	BOX , relay, Mk. 3 (Mod. 545) ...	1					—	P	BA3	
		Attachments for Ref. No. 75BB/867, Box :—									
28D/9133012	A25/3C	Bolt, 2 BA ...	3					—	C		
28VV/9419402	SP.13/C	Washer ...	3					—	C		
	10-20 N 23101A	CABLE , bung, coded "Q36," assembly (Mod. 1120)	1					—	ECC	BA8	
	10-20 N 13113A	CABLE , coded "MK.803-Q.CH," assembly ...	1					—	ECC	BA3	
	10-20 N 13267A	CABLE , coded "MK.811-ME," assembly (Mod. 556)	1					—	ECC	BA3	
	10-20 N 8843A	CABLE , coded "ML.104-MK.812," assembly ...	1					—	ECC	BA3	

ARMAMENT
INSTALLATION OF ROCKET PROJECTILES, GUIDED WEAPONS
(FIRESTREAK AND BULL PUP) AND HEAVY STORES, CODED "AB"

Ref. No.	Part No.	Description	No. off	Material Specification	Class of Store or L.M	Place No.
	—	INSTALLATION IN COCKPIT, PORT, STN.	1	—	—	
		194"05, CODED "MM" (Drg. Nos. 10-20 A 1881, 10-20 N 14289)				
15716	10-20 N 14067A	CABLE, coded "ML.106-MM.201," assembly ...	1	—	P	BA4
	10-20 N 8841A	CABLE, coded "MM.202-MN.501," assembly ...	1	—	ECC	BA4
12207	HAWKER SIDDELEY DYNAMICS SR.200	RACK, assembly ...	1	—	P	
		Attachments for SR.200, Rack :—				
28M/10332	AGS.2002/J/1	Nut, 3/8" BSF ...	4	—	C	
28W/9419466	SP.13/J	Washer ...	4	—	C	
75BB/29	—	UNIT, power ...	1	—	P	BA4
	—	INSTALLATION IN COCKPIT, PORT, STN.	1	—	—	
		160"05 CODED "MN" (Drg. Nos. 10-20 A 1881, 10-20 N 14289)				
	10-20 N 8845A	CABLE, coded "ML.105-MN.502," assembly ...	1	—	ECC	BA3
	10-20 A 5673A	RACK, and roller, assembly (Mods. 1280 and 3771)	1	—	—	BA18
15379	10-20 V 4183	ADAPTER, air-intake ...	1	—	C	BA18
	10-20 A 1847	BAR, rack roller, threaded, 2 BA ...	1	L.65	LM	BA18
		Attachments for 10-20 A 1847, Bar :—				
28M/10328	AGS.2002/C/1	Nut, 2 BA ...	2	—	C	
28W/9419454	SP.10/C	Washer ...	2	—	C	
	—	BRACKET, support, plug (See installation at target detector rack, in this sub-section)	—	—	—	
	10-20 A 1853ND	PLATE, side, 18 SWG ...	2	L.72	LM	BA18
		Attachments for 10-20 A 1853ND, Plate :—				
28D/9436920	A25/1C	Bolt, 2 BA ...	2	—	C	
28D/13132	AS.3297/1C	Bolt, 2 BA ...	2	—	C	
28M/10328	AGS.2002/C/1	Nut, 2 BA ...	2	—	C	
28W/9419454	SP.10/C	Washer ...	2	—	C	
	HAWKER SIDDELEY DYNAMICS M.21147A	RACK, assembly (Mod. 659) ...	1	—	—	BA18
	10-20 A 1851ND	ROLLER, 3/8" o/d x 22 SWG x 9"-76 long ...	1	T.26	LM	BA18
		Attachments for 10-20 A 5673A, Rack :—				
8823	DHS.901/27/JJ	Bolt, 3/8" BSF ...	4	—	C	BA18
28M/10292	AGS.2001/J/1	Nut, 3/8" BSF ...	4	—	C	
28W/9419466	SP.13/J	Washer ...	8	—	C	
75BB/30	—	UNIT, target detector ...	1	—	P	BA4
	—	INSTALLATION OF GROUP, CODED "CY," UNDER TRANSVERSE BEAM	1	—	—	
		(Drg. No. 10-20 N 11421, 10-20 N 14289)				
		BLOCK, terminal, coded "CY," group (Mod. 1280)	1	—	—	
5CZ/7684	WARD BROOKE WB/1110/S/1/B	BLOCK, terminal, one-way, 6 BA, coded "A"	1	—	C	BA4
5CZ/7685	WARD BROOKE WB/1114/S/1/B	BLOCK, terminal, one-way, 4 BA, coded "B"	1	—	C	BA4

ARMAMENT
INSTALLATION OF ROCKET PROJECTILES, GUIDED WEAPONS
(FIRESTREAK AND BULL PUP) AND HEAVY STORES, CODED "AB"

Ref. No.	Part No.	Description	No. off	Material Specification	Class of Store or L.M	Place No.
5CZ/7686	WARD BROOKE WB/1110/B1	COVER, for terminal block, coded "A" ...	1	—	C	
5CZ/6386	WARD BROOKE WB/1114/B11 DHS.1669 Mk. A 10-20 N 22443ND	COVER, for terminal block, coded "B" ... LABEL, identification, 1/8" ... LABEL, identification, engraved "B" (Make from DHS.1669 Mk. 1)	1 1 1	— Darvic —	C — —	
28M/10287	AGS.2001/B/1 WARD BROOKE WB/1114/28	NUT, 4 BA ...	6	—	C	
5CZ/6424	WARD BROOKE WB/1114/28	PILLAR, fixing ...	4	—	C	
28S/15846	A40/B10	SCREW, 4 BA ...	4	—	C	
28W/9419474	SP.15/B	WASHER ...	8	—	C	
28W/1200328	AGS.2037/B	WASHER, shakeproof ...	4	—	C	
26FC/3623	DHS.69/BB	WASHER, shim (Fit at opposite end to identification tag)	2	—	C	
	—	BRACKET, mounting, terminal block and R.P. plug stowage, coded "MP2 STOW" and "CY" (See sub-section KQ)	—	—	—	
	10-20 N 23197A	CABLE, bung JB4, assembly (Mod. 1280) (For cables circuit coded "AB")	1	—	ECC	BA4
	10-20 N 23495A	CABLE, coded "AFH1-CY," assembly (Mod. 1280)	1	—	ECC	BA4
	—	INSTALLATION ON COCKPIT FLOOR, STARBOARD, BETWEEN STNS. 148" AND 175", CODED "MP" (Drg. Nos. 10-20 F 1901, 10-20 N 14289, 10-20 G 525)	1	—	—	
	—	BRACKET, mounting, terminal block and R.P. plug stowage, coded "MP2 STOW" and "CY" (See sub-section KQ)	—	—	—	
10H/0560150	—	PLUG, 12 pole, coded "MP2" ...	1	—	P	
	10-20 N 23241A	TRAY, rocket projectile distribution box, complete, coded "MP," assembly (Mod. 5094) (Special Order Only)	1	—	—	BA11
5D/2277	—	BOX, rocket projectile, firing distribution ... Attachments for Ref. No. 5D/2277, Box :—	1	—	P	
28M/7002430	AGS.2001/E/1	Nut, 1/2" BSF ...	4	—	—	
28W/9418921	SP.13/E	Washer ...	4	—	C	
	10-20 N 23747A/ND	TRAY, complete, less firing distribution box, assembly	1	—	—	BA11
	—	BLOCK, and cover, group ...	1	—	—	
	HAWKER SIDDELEY DYNAMICS M.21015A/1	BLOCK, fixed contact ...	1	—	—	
15336	10-20 N 13321	COVER, fibreglass ... Attachments for M.21015A/1, Block and 10-20 N 13321, Cover :—	1	—	C	BA11
28M/10287	AGS.2001/B/1	Nut, 4 BA ...	5	—	C	
28S/1200034	A32/B16	Screw, 4 BA ...	5	—	C	
28W/9419465	SP.13/B	Washer ...	5	—	C	
	—	BLOCK, terminal, coded "C," group ...	1	—	—	
5CZ/6589	WARD BROOKE WB/1110/S/10/B	BLOCK, terminal, 10-way ...	1	—	P	

**ARMAMENT
INSTALLATION OF ROCKET PROJECTILES, GUIDED WEAPONS
(FIRESTREAK AND BULL PUP) AND HEAVY STORES, CODED "AB"**

Ref. No.	Part No.	Description	No. off						Material Specification	Class of Store or LM	Plate No.
			1	2	3	4	5	6			
5CZ/6111	WARD BROOKE WB/1110/5	COVER, terminal block						1	—	C	
5CZ/6583	WARD BROOKE WB/1110/40	LINK, 2-way						2	—	C	
5CZ/6424	WARD BROOKE WB/1114/28	PILLAR, fixing						2	—	C	
28S/15846	A40/B10	SCREW, 4 BA						2	—	C	
28W/1200328	AGS.2037/B	WASHER, shakeproof						2	—	C	
28W/9419474	SP.15/B	WASHER						2	—	C	
	—	BLOCK, terminal, coded "D," group ...						1	—	—	
5CZ/	WARD BROOKE WB/1110/5/5/B	BLOCK, terminal, 5-way						1	—	C	
5CZ/6110	WARD BROOKE WB/1110/4	COVER, terminal block						1	—	C	
5CZ/6424	WARD BROOKE WB/1114/28	PILLAR, fixing						2	—	C	
28S/15846	A40/B10	SCREW, 4 BA						2	—	C	
28W/1200328	AGS.2037/B	WASHER, shakeproof						2	—	C	
28W/9419474	SP.15/B	WASHER						2	—	C	
	—	BOLT, spigot, connectors, group ...						1	—	—	
15335	10-20 N 13315	BOLT, spigot, connectors						6	—	C	BA11
28M/10286	AGS.2001/A/1	NUT, 6 BA						4	—	C	
28W/9419464	SP.13/A	WASHER						4	—	C	
19381	10-20 N 24145A	CABLE, assembly (Mod. 5124)						1	—	C	BA11
	—	Spares for:—									
15349	10-20 N 13529	COVER, unitor socket, fibreglass ...						1	—	C	BA11
	—	Attachments for 10-20 N 13529, Cover:—									
28M/10326	AGS.2002/A/1	Nut, 6 BA						2	—	C	
28S/9995324	A32/A16	Screw (Replaced on installation) ...						2	—	C	
28W/9419446	SP.10/A	Washer						2	—	C	
15350	10-20 N 13319A	COVER, contact block, fibreglass ...						2	—	C	BA11
	—	Attachments for 10-20 N 13319A, Cover:—									
28M/10287	AGS.2001/B/1	Nut, 4 BA						6	—	C	
28S/1200040	A31/B20	Screw, 4 BA						6	—	C	
28W/9419465	SP.13/B	Washer						6	—	C	
28E/1009753	AS.3180/3C	CLIP, "P," cable						2	—	C	
28E/14080	AS.3181/7C	CLIP, "P," cable						1	—	C	
28E/8144903	AS.3180/11C	CLIP, "P," cable (Mod. 5124)						1	—	C	
	—	Attachments for AS.3180/3C, AS. 3181/7C or 3180/11C, Clip:—									
28M/10288	AGS.2001/C/1	Nut, 2 BA						1	—	C	
28S/13742	A32/C14	Screw, 2 BA						1	—	C	
28W/9419402	SP.13/C	Washer						1	—	C	
	10-20 N 13559A	CONNECTOR, change of load, assembly						1	—	—	BA11
5E/3928	—	CABLES, link						QR	—	C	
15351	10-20 N 12883A	COVER, unitor plug, assembly						1	—	C	BA11
	10-20 N 13553	LABEL, "FULL LOAD," 20 SWG						1	L.72	LM	BA11
	FERRANTI										
5X/	C.9500032	PLUG, unitor, 70-way						1	—	—	
28S/1200050	A31/A20	SCREW, 6 BA						2	—	C	
5K/4449	TWAP x 3/8"	SLEEVE						QR	—	C	
28W/9419464	SP.13/A	WASHER						2	—	C	

**ARMAMENT
INSTALLATION OF ROCKET PROJECTILES, GUIDED WEAPONS
(FIRESTREAK AND BULL PUP) AND HEAVY STORES, CODED "AB"**

Ref. No.	Part No.	Description						No. off	Material Specification	Class of Store or L.M.	Plate No.
		1	2	3	4	5	6				
	10-20 N 23585A							1	—	—	BA11
SE/3928	—							1	—	—	BA11
	10-20 N 12883A							QR	—	C	BA11
15351	10-20 N 23587							1	—	C	BA11
	10-20 N 23587							1	L.72	LM	BA11
	FERRANTI C.9500032							1	—	—	—
28S/1200050	A31/A20							2	—	C	—
5K/4449	TWAP x 3/8"							QR	—	C	—
28W/9419464	SP.13/A							2	—	C	—
	10-20 N 23913A							1	—	—	BA11
SE/3928	—							QR	—	C	—
	10-20 N 12883 A							1	—	C	BA11
15351	10-20 N 20893							1	L.72	LM	BA11
	FERRANTI C.9500032							1	—	—	—
28S/1200044	A31/A14							2	—	C	—
5K/4449	TWAP x 3/8"							QR	—	C	—
28W/9419464	SP.13/A							2	—	C	—
5CW/6852	—							2	—	P	—
	10-20 N 23239A							4	—	C	—
28S/5694	A32/B40							4	—	C	—
28W/9419465	SP.13/B							4	—	C	—
	10-20 N 12949							1	—	—	BA11
15342	10-20 N 12949							4	L.65	C	BA11
	AGS.2001/C/1							1	—	C	—
28M/10288	SP.13/C							1	—	C	—
28W/9419402	—							2	—	C	BA11
15340	10-20 N 12935							2	—	C	BA11
	AS.1242/2C							2	—	C	—
28D/8307	AGS.2001/C/1							2	—	C	—
28M/10288	SP.13/C							2	—	C	—
28W/9419402	—							2	—	C	—
	10-20 N 20887 A							2	—	—	BA11
	10-20 N 20885ND							1	L.72	LM	BA11
28M/13307	AGS.2018/B/1							2	—	C	—
	10-20 N 20883A							1	—	—	BA11
	A32/B14							4	—	C	—
28S/14005	SP.13/B							4	—	C	—
28W/9419465	—							1	—	—	BA11
	10-20 N 20891A							1	L.72	LM	BA11
	10-20 N 20889ND							1	—	—	BA11
28M/10286	AGS.2001/A/1							2	—	C	—
28S/1006979	A32/A10							2	—	C	—
28W/9419464	SP.13/A							2	—	C	—

**ARMAMENT
INSTALLATION OF ROCKET PROJECTILES, GUIDED WEAPONS
(FIRESTREAK AND BULL PUP) AND HEAVY STORES, CODED "AB"**

Ref. No.	Part No.	Description	No. off	Material Specification	Class of Store or L.M.	Plate No.
15994	10-20 N 14915A	CLAMP , butt connector, assembly ...	1	—	C	BA11
		Spares for :—				
28FP/145	DZUS A3/A30	FASTENER ...	2	—	C	
28FP/307	DZUS GA3/175	GROMMET , fastener ...	2	—	C	
	—	CLAMP and spring, handle, group	1	—	—	
	10-20 N 12945	CLAMP , handle spring ...	2	LFS.21, 23 or 26	LM	BA11
28S/1200056	A33/A10	SCREW , 6 BA ...	4	—	C	
15341	10-20 N 12943	SPRING , handle ...	2	DTD.271	C	BA11
15347	10-20 N 12941A	HANDLE , assembly ...	1	—	C	BA11
		Attachs for 10-20 N 12941A, Handle :—				
28P/821	SP.4Y/A11	Pin, shackle ...	2	—	C	
28P/1007741	SP.9/C8	Pin, split ...	2	—	C	
28W/9419401	SP.10/B	Washer ...	2	—	C	
	10-20 N 13383	PLATE , cable shield, $\frac{1}{16}$ " thick ...	2	LFS.21, 23 or 26	LM	BA11
		Attachments for 10-20 N 13383, Plate :—				
28S/9435715	A36/B16	Screw, 4 BA ...	4	—	C	
	10-20 N 12899	PLATE , base (For Spares use 10-20 N 15113ND)	1	—	—	BA11
15769	10-20 N 15113ND	PLATE , base (Spares condition) ...	1	—	C	
	10-20 N 12995	PLATE , blanking, cooling inlet, 0"1 thick	1	LFS.21, 23 or 26	LM	BA11
		Attachments for 10-20 N 12995, Plate :—				
28D/8507	AS.1242/5C	Bolt, 2 BA ...	2	—	C	
28M/10288	AGS.2001/C/1	Nut, 2 BA ...	2	—	C	
28W/9419402	SP.13/C	Washer ...	2	—	C	
15344	10-20 N 12997	PLATE , blanking, static pipe ...	1	L.65	C	BA11
		Attachments for 10-20 N 12997, Plate :—				
28M/10286	AGS.2001/A/1	Nut, 6 BA ...	2	—	C	
28S/9992531	A33/A24	Screw, 6 BA ...	2	—	C	
28W/9419464	SP.13/A	Washer ...	2	—	C	
	10-20 N 23637	PLATE , carrier, unitor connectors ...	1	L.72	LM	BA11
		Attachments for 10-20 N 23637, Plate :—				
28S/9992522	A32/B16	Screw, 6 BA ...	4	—	C	
28W/9419465	SP.13/B	Washer ...	4	—	C	
15343	10-20 N 12993	PLATE , end, tray ...	1	—	C	BA11
		Attachments for 10-20 N 12993, Plate :—				
28D/9140638	A25/4B	Bolt, 4 BA ...	3	—	C	
28D/1009984	A25/7B	Bolt, 4 BA ...	2	—	C	
28D/1011019	A25/8C	Bolt, 2 BA ...	2	—	C	
28D/8312	AS.1242/8C	Bolt, 2 BA ...	4	—	C	
28M/10287	AGS.2001/B/1	Nut, 4 BA ...	3	—	C	
28M/10327	AGS.2002/B/1	Nut, 4 BA ...	2	—	C	
28M/10288	AGS.2001/C/1	Nut, 2 BA ...	6	—	C	
28W/9419465	SP.13/B	Washer ...	10	—	C	
28W/9419402	SP.13/C	Washer ...	8	—	C	

ARMAMENT
INSTALLATION OF ROCKET PROJECTILES, GUIDED WEAPONS
(FIRESTREAK AND BULL PUP) AND HEAVY STORES, CODED "AB"

Ref. No.	Part No.	Description	No. off	Material Specification	Class of Store of LM	Plate No.
28M/9434253	10-20 N 12889A	PLATE, side, L.H., assembly	1	—	—	BA11
	AGS.2007/B/1	NUT, anchor, 4 BA	2	—	C	
15767 28FP/—	10-20 N 12887ND	PLATE, side, L.H. (For spares use 10-20 N 15111ND)	1	—	—	BA11
	10-20 N 15111ND	PLATE, side, L.H. (Spares condition)	1	—	C	
28M/9434253	DZUS. S3/175/D12	SPRING	1	—	C	
	10-20 N 12890A	PLATE, side, R.H., assembly	1	—	—	BA11
15768 28FP/—	AGS.2007/B/1	NUT, anchor, 4 BA	2	—	C	
	10-20 N 12888ND	PLATE, side, R.H. (For Spares use 10-20 N 15112ND)	1	—	—	BA11
15338 28VV/9419447	10-20 N 15112ND	PLATE, side, R.H. (Spares condition)	1	—	C	
	DZUS. S3/175/D12	SPRING	1	—	C	
26DV/7529 26DV/4969	10-20 N 12991	POST, side plate	2	L.65	—	BA11
	10-20 N 12891	SPIGOT, locating, tray	2	S.110	C	BA11
28D/9137409 28VV/9419402	SP.41/C	WASHER, tab. spigot	2	—	C	
	—	INSTALLATION OF EARTH STATION 6, CODED "A," COCKPIT, STAR- BOARD, STN. 157"-79 (Drg. No. 10-20 N 14289)	1	—	—	
26DV/7529 26DV/4969	DHS.438/C	TAG, corrosion	1	L.16	C	BA13
	DHS.437/C	TERMINAL, earth, stn. 6, coded "A," assembly (For breakdown see DHS. Data Sheet)	1	—	C	BA4 BA16
28D/9137409 28VV/9419402	AS.1246/2C	Attachments for DHS.437/C, Terminal :—				
	SP.13/C	Bolt, 2 BA	2	—	C	
15380	—	Washer	2	—	C	
	10-20 N 22715A	INSTALLATION IN COCKPIT, PORT, STN. 160" 05, CODED "ML" (Drg. Nos. 10-20 A 1881A and 10-20 N 14289)	1	—	—	
15379	10-20 A 2767A	CABLE, coded "ML.101-MD-ME," assembly ... (Mods. 990 and 1265)	1	—	ECC	BA3
	10-20 V 4183	RACK, and intake adaptor, assembly (Mod. 377) Spares for :—	1	—	P	BA18
28M/10332 28VV/9419466	AGS.2002/J/1	ADAPTOR, air-intake	1	—	C	BA18
	SP.13/J	Attachments for 10-20 A 2767A, Rack :—				
75BB/22	—	Nut, 3/8" BSF	4	—	C	
	—	Washer	4	—	C	
5X/9149643 5X/1004082	—	UNIT, sequence launching, coded "ML" ...	1	—	P	BA3
	—	INSTALLATION AT INBOARD FACE OF TACAN MOUNTING, CODED "MD" (Drg. No. 10-20 N 14289)	1	—	—	
5X/9450403	PLESSEY CZ.25111	BLOCKS, terminal, coded "A" and "B," group	1	—	—	
	—	BLOCK, terminal, 20-way, assembly (For breakdown see DHS. Data Sheet)	2	—	—	BA4
5X/1004082	PLESSEY Z.28426	COVER, terminal block	2	—	C	BA13
	—	LINK, terminal connecting, 2-way (Fit at block "B" between terminals Nos. 5 and 6)	1	—	C	BA4
18872	10-20 N 23891A	PILLAR, fixing, 4 BA	4	—	C	BA17
	10-20 N 23893A	INSTALLATION AT INBOARD FACE OF TACAN MOUNTING, CODED "AJL" (Drg. No. 10-20 N 14289)	1	—	—	
18872	—	BRACKET, mounting, coded "AJL" (See sub-section KQ)	—	—	—	
	10-20 N 23195A	LINK, shorting, coded "AJL.1," assembly ...	1	—	ECC	
18872	—	LINK, shorting, coded "AJL.2," assembly ...	1	—	ECC	
	—	INSTALLATION IN COCKPIT, PORT, STN. 176, CODED "MS" (Drg. Nos. 10-20 N 8003 and 10-20 N 14289)	1	—	—	
18872	—	CABLE, bung, coded "MA6," assembly (Mod. 1133 and 1265)	1	—	C	BA4

**ARMAMENT
INSTALLATION OF ROCKET PROJECTILES, GUIDED WEAPONS
(FIRESTREAK AND BULL PUP) AND HEAVY STORES, CODED "AB"**

Ref. No.	Part No.	Description	No. off						Material Specification	Class of Store or L.M	Plate No.
			1	2	3	4	5	6			
19745	10-20 N 14111A	CABLE , coded "MA4-MS6," assembly (Mod. 775)						1	—	C	BA4
	10-20 N 9597A	CABLE , coded "MR6-MS1," assembly ...						1	—	ECC	BA4
5D/2144	—	MOUNTING , tray, fusing unit, Type EP/EL, Mk. 2						1	—	P	
		Attachments for Ref. No. 5D/2144, Mounting :—									
28D/13046	A25/19E	Bolt, 1/2" BSF ...						3	—	C	
28D/12888	A25/34E	Bolt, 1/2" BSF ...						1	—	C	
28M/10290	AGS.2001/E/1	Nut, 1/2" BSF ...						1	—	C	
16635	10-20 N 15083ND	Packing ...						4	LFB.82 or 89	C	BA12
28W/9418921	SP.13/E	Washer ...						5	—	C	
	10-20 N 13931A	TRAY , fusing unit and cable stowage bracket, c/w plugs and sockets, coded "MS," assembly (Mod. 749)						1	—	—	BA12
10H/9560042	—	ADAPTOR , plug, bulkhead, coded Nos. "5" and "6"						2	—	P	
10H/0560190	—	PLUG , 18 pole, coded No. 1 ...						1	—	C	
10H/0560320	—	SOCKET , 6 pole, coded No. 4 ...						1	—	C	
10H/0560321	—	SOCKET , 6 pole, coded No. 3 ...						1	—	C	
10H/0560370	—	SOCKET , 18 pole, coded No. 2 ...						1	—	C	
16636	10-20 N 13913A	TRAY , fusing unit and cable stowage bracket, less plugs and sockets, assembly						1	—	P	BA12
16639	10-20 N 13915A	BRACKET , stowage, assembly ...						1	—	C	BA12
	10-20 N 13909	PAD , 1/2" thick ...						2	LFS.21, 23 or 26	LM	BA12
16637	10-20 N 13907	PLATE , bearing, L.H. ...						1	L.65	C	BA12
16638	10-20 N 13908	PLATE , bearing, R.H. ...						1	L.65	C	BA12
		Attachments for 10-20 N 13907 or 10-20 N 13908, Plate :—									
28M/10287	AGS.2001/B/1	Nut, 4 BA ...						2	—	C	
28S/9435715	A33/B16	Screw, 4 BA ...						2	—	C	
28W/9419465	SP.13/B	Washer ...						2	—	C	
	—	UNITS , fusing, Type EL and EP (See sub-section JK)						—	—	—	
	—	INSTALLATION ON COCKPIT FLOOR, AFT, PORT, CODED "MA" (Drg. No. 10-20 N 14289)						1	—	—	
18812	10-20 N 23075A	CABLE , bung "MA-NA," c/w sealing plate, assembly (Mod. 1232, Pre Mod. 1270 and 1265)						1	—	C	BA4
	10-20 N 23931A	CABLE , bung "MA-NA," c/w sealing plate, assembly (Mod. 1265, Pre Mod. 1270)						1	—	ECC	
	10-20 N 23465A	CABLE , bung "MA-NA," c/w sealing plate, assembly (Mod. 1270, Pre Mod. 1265)						1	—	ECC	
	10-20 N 23933A	CABLE , bung "MA-NA," c/w sealing plate, assembly (Mod. 1265 and 1270)						1	—	ECC	
		Spares for :—									
16163	10-20 N 15123A	PLATE , sealing, coded "MA," assembly ...						1	—	C	BA17
		Attachments for 10-20 N 23075A, 10-20 N 23931A, 10-20 N 23465A or 10-20 N 23933A, Cable :—									
28D/9133012	A25/3C	Bolt, 2 BA ...						8	—	C	
12200	10-20 N 9643	Gasket, sealing ...						1	—	C	
28W/9419402	SP.13/C	Washer ...						8	—	C	

ARMAMENT
INSTALLATION OF ROCKET PROJECTILES, GUIDED WEAPONS
(FIRESTREAK AND BULL PUP) AND HEAVY STORES, CODED "BB"

Ref. No.	Part No.	Description	No. of	Material Specification	Class of Store or L.M.	Place No.
	—	INSTALLATION IN DUCTS 20 AND 22, COCKPIT FLOOR, AFT, OUTBOARD, PORT	1	—	—	
	—	SPLICE , in-line coded "DG" "EV" "GK," "HO," "HS," "KA," "LX" and "RJ" (See DHS. Data Sheet, detail DHS.520/ZP)	—	—	—	
5X/7018	HELLERMANN HC.1300	SPLICE , in-line, coded "AHO," "AJT," "AHP" and "AUJ"	4	—	C	
	—	INSTALLATION IN COCKPIT, STARBOARD, STN. 148, GROUP "ABX" (Drg. Nos. 10-20 N 9461 and 10-20 N 14289)	1	—	—	
	10-20 N 15261	BRACKET , support, coupler plug, "G. W. TEST," 16 SWG (Mod. 917) Attachments for 10-20 N 15261. Bracket:— Bolt, 4 BA 1 Bolt, 2 BA 2 Washer 1 Washer 2	1	L.72	LM	BA12
28D/1010658	A25/1B	Bolt, 4 BA 1	1	—	C	
28D/9133011	A25/2C	Bolt, 2 BA 2	2	—	C	
28W/9419465	SP.13/B	Washer 1	1	—	C	
28W/9419402	SP.13/C	Washer 2	2	—	C	
	10-20 N 15259A	CABLE , coded "ABX-Mk. 801," assembly (Mod. 917)	1	—	ECC	BA3
	—	INSTALLATION AT TARGET DETECTOR RACK, COCKPIT, STN. 160-05, PORT, CODED "AFH" (Drg. Nos. 10-20 A.5673A and 10-20 N 10767)	1	—	—	
	10-20 N 20869A	BRACKET , support, plug, coded "AFH," assembly (Mod. 1280)	1	—	—	BA18
	10-20 N 20867ND	BRACKET , bare, 20 SWG 1	1	L.72	—	BA18
28M/9434253	AGS.2007/B/1	NUT , anchor, 4 BA 1	1	—	C	
28M/9434251	AGS.2008/B/1	NUT , anchor, 4 BA 1	1	—	C	
	PLESSEY UK-AN-ET8000-22-14P	PLUG , fixed, coded "AFH2" 1	1	—	—	
5935-99-971-7837	PLESSEY UK-AN-ET8000-20-29P	PLUG , fixed, coded "AFH3" 1	1	—	C	
5935-99-580-8869	PLESSEY UK-AN-ET8000-28-11S	SOCKET , fixed, coded "AFH1" 1	1	—	C	
5310-99-914-5767	PLESSEY 2Z.139599	WASHER , panel mounting 1	1	—	C	
5310-99-580-8950	PLESSEY 2Z.139600	WASHER , panel mounting 1	1	—	C	
5310-99-580-8951	PLESSEY 2Z.139602	WASHER , panel mounting 1	1	—	C	
28S/1007469	A33/B14	Attachments for 10-20 N 20869A, Bracket:— Screw, 4 BA 3	3	—	C	
	10-20 N 23317A	CABLE , coded "AFH-AJH," assembly (Mod. 1270)	1	—	ECC	
	10-20 N 20933A	CABLE , coded "AFH.1," assembly (Mods. 1133 and 1265)	1	—	ECC	BA3
	—	PLUG , filler and socket inserts, plugs and sockets, coded "AFH," group	1	—	—	
5935-99-946-8687	PLESSEY 2CZ.138846	INSERT , socket	3	—	C	
5935-99-580-9602	PLESSEY 508/1/05602/002	INSERT , socket	9	—	C	
5935-99-580-9603	PLESSEY 508/2/05604/002	PIN , plug	17	—	C	
	DHS.1275/AN/A	PLUG , filler	26	—	—	
	DHS.1275/AN/F	PLUG , filler	3	—	—	

ARMAMENT
INSTALLATION OF ROCKET PROJECTILES, GUIDED WEAPONS
(FIRESTREAK AND BULL PUP) AND HEAVY STORES, CODED "BB"

Ref. No.	Part No.	Description	No. off	Material Specification	Class of Store or L.M.	Place No.
		INSTALLATION IN COCKPIT, AFT FORWARD OF STN. 175, STARBOARD, CODED "LH" (Drg. Nos. 10-2 N 10767 and 10-20 N 14141)	1	—	—	
15617	10-20 FS 16247A	BRACKET , mounting, relay Box, assembly ...	1	—	C	BA12
28D/9138768	A25/3C	Attachments for 10-20 FS 16247A, Bracket :—				
28W/9419402	SP.13/C	Bolt, 2 BA ...	4	—	C	
		Washer ...	4	—	C	
	10-20 N 22985A	CABLE , coded "LH-ME-Q-H," assembly ...	1	—	ECC	BA4
		(Mod. 1232)				
28E/14041	AS.3180/8B	CLIP , "P," cable attachment to relay box ...	1	—	C	
		Attachments for AS3.180/8B, Clip :—				
28S/14005	A32/B14	Screw, 4 BA ...	1	—	C	
28W/9419465	SP.13/B	Washer ...	1	—	C	
5K/3355	AS.3360/B.4.B	LEAD , bonding, flexible ...	1	—	C	
		Attachments for Ref. No. 5K/3355, Lead :—				
28M/10287	AGS.2001/B/1	Nut, 4 BA ...	2	—	C	
28S/9992525	A32/B12	Screw, 4 BA ...	2	—	C	
28W/9419474	SP.15/B	Washer ...	2	—	C	
15613	10-20 N 12233A	MOUNTING , relay box tray, assembly ...	1	—	C	BA12
		Spares for :—				
15615	10-20 N 12223	BOLT , knurled ...	1	—	C	BA12
15614	10-20 N 14757	LABEL , "TRAY MOUNTING 2 WAY DIST. Mk. 1 REF. 5D/2058"	1	—	C	BA12
	AVERY LTD.					
26FN/2853	AVA.2305 H/VA	MOUNTING , anti-vibration, 3/4 lb. ...	4	—	C	
		Attachments for AVA.2305 H/VA, Mounting :—				
28D/1007973	AS.1242/2B	Bolt, 4 BA ...	1	—	C	
15616	10-20 N 13485	TRUNNION ...	1	—	C	BA12
28W/9419446	SP.10/A	WASHER , knurled bolt ...	1	—	C	
	10-20 N 14053A	TRAY , clip retaining and plug, assembly (Mod. 703)	1	—	—	BA12
5E/3928	—	CABLE , link (Finish end details to DHS.520/ZC)	QR	Uninyvin 20	C	
	10-20 N 14043A	CLIP , retaining, assembly ...	1	—	—	BA12
	10-20 N 14041ND	CLIP , bare, 18 SWG ...	1	L.72	LM	BA12
28FP/9488815	DZUS A4/30	FASTENER ...	2	—	C	
28FP/9430915	DZUS GA4/250	GROMMET ...	2	—	C	
	10-20 N 14045ND	PAD , pressure, 0"-7 x 1"-0 x 1/8" thick sheet sorbo rubber (Attach with Bostik C)	1	—	LM	BA12
5935-99-948-8314	PAINTON 311838	PLUG ...	1	—	C	
		Attachments for 311838, Plug :—				
28M/10286	AGS.2001/A/1	Nut, 6 BA ...	4	—	C	
28S/1006979	A32/A10	Screw, 6 BA ...	4	—	C	
15618	10-20 N 14051A	TRAY , assembly ...	1	—	P	BA12
		Spares for :—				
15611	10-20 N 12235	SPIGOT ...	2	—	C	BA12
		Attachments for 10-20 N 12235, Spigot :—				
28M/10287	AGS.2001/B/1	Nut, 4 BA ...	1	—	C	
28FP/1071	DZUS S4/225/D.12	SPRING , fastener, Type S ...	2	—	C	

ARMAMENT
INSTALLATION OF ROCKET PROJECTILES, GUIDED WEAPONS
(FIRESTREAK AND BULL PUP) AND HEAVY STORES, CODED "AB"

Ref. No.	Part No.	Description	No. off	Material Specification	Class of Store or L.M.	Plate No.
		INSTALLATION AT COCKPIT FLOOR, AFT CENTRE, CODED "DT" (Drg. No. 10-20 N 14289)	1	—	—	
	10-20 N 11641A	BRACKET , mounting, c/w terminal blocks, assembly (Mod. 332)	1	—	—	BA17
	—	BLOCKS , terminal, coded "A," group ...	1	—	—	
28D/11540	AS.1246/2B	BOLT , 4 BA ...	2	—	C	
5X/9402803	—	BOARD , terminal, 5-way, assembly ...	2	—	C	BA4
	10-20 N 11637A	COVER , terminal block, coded "A" for block, terminals Nos. 1 to 5 (Make from Ref. No. 5H/9)	1	—	LM	BA17
	10-20 N 11639A	COVER , terminal block, coded "A" for block, terminals Nos. 6 to 10 (Make from Ref. No. 5H/9)	1	—	LM	BA17
5X/9400051	—	FERRULE , cable ...	6	—	C	
5X/9402799	—	TERMINAL , double tier ...	10	—	C	
	10-20 N 12709A/ND	BRACKET , terminal blocks, mounting, assembly	1	—	—	BA17
	10-20 N 11635ND	BRACKET , bare, 20 SWG ...	1	L.72	LM	BA17
28M/9434253	AGS.2007/B/1	NUT , anchor, 4 BA ...	4	—	C	
28M/9434252	AGS.2018/B/1	NUT , anchor, 4 BA ...	4	—	C	
	10-20 N 12307A	CABLE , coded "H-DT," assembly (Mod. 416, Pre Mod. 1265)	1	—	ECC	BA4
		INSTALLATION OF EARTH STN. 20, CODED "A" ON COCKPIT FLOOR, REAR, FORWARD OF STN. 175", PORT (Drg. No. 10-20 N 14289)	1	—	—	
26DV/7529	DHS.438/C	TAG , corrosion ...	1	—	C	BA13
26DV/4969	DHS.437/C	TERMINAL , earth, stn. 20, coded "A," assembly (For breakdown see DHS. Data Sheet)	1	—	C	BA4 BA16
		Attachments for DHS.437/C, Terminal :—				
28D/9137409	AS.1246/2C	Bolt, 2 BA ...	2	—	C	
28W/9419402	SP.13/C	Washer ...	2	—	C	
		INSTALLATION OF FUSE BLOCK, CODED "AFN" AT TRANSVERSE BEAM, BETWEEN STNS. 176" AND 166", STARBOARD (Drg. Nos. 10-20 N 11421 and 10-20 N 23519)	1	—	—	
	—	BLOCK , fuse, coded "AFN," group ...	1	—	—	
	—	BLOCK , fuse, 12-way ... (See sub-section EBV)	—	—	—	
10H/23864	—	FUSE , 5 amp. ...	5	—	C	
10H/23862	—	FUSE , 10 amp. ...	3	—	C	
10H/23861	—	FUSE , 15 amp. (Mod. 1265) ...	3	—	C	
10H/23860	—	FUSE , 20 amp. (Pre Mod. 1265) ...	1	—	C	
	10-20 N 21039A	CABLE , coded "AFN-ME," assembly (Mod. 1120)	1	—	ECC	BA4

ARMAMENT
INSTALLATION OF ROCKET PROJECTILES, GUIDED WEAPONS
(FIRESTREAK AND BULL PUP) AND HEAVY STORES, CODED "AB"

Ref. No.	Part No.	Description	No. off	Material Specification	Class of Store or L.M	Place No.
		INSTALLATION AT COCKPIT FLOOR REAR, PORT, CODED "ME" (Drg. Nos. 10-20 N 14289 and 1p0-20 N 23641 Mod. 1232)	1	—	—	
		BLOCKS , terminal, coded "A," "B," "C," and "D," group	1	—	—	
	DHS.456/20	BLOCK , terminal, 20-way, assembly ... (For breakdown see DHS. Data Sheet)	4	—	—	BA5
5X/9149643	PLESSEY CZ.25111	COVER , terminal block	4	—	P	BA13
5X/1004082	—	LINK , terminal, connecting, 2-way (Fit at block coded "A," terminals 9-10, block coded "C," terminals 7-8 and 9-10)	3	—	C	BA5
5X/1004086	—	LINK , transverse (Mod. 1120)	5	—	C	BA5
5X/1004086	—	LINK , transverse (Mod. 1265) (Fit at block coded "B" terminals Nos. 1-11, 2-12, 8-18, 9-19 and 10-20)	5	—	C	
5X/9450403	PLESSEY Z.28426	PILLAR , fixing, 4 BA	8	—	C	BA17
18806	10-20 N 23023	TERMINAL , dummy (Fit at block coded "A," terminals Nos. 4, 6, 14, block coded "B," terminals Nos. 3, 5, 7, 13, block coded "C," terminal No. 14, and block coded "D," terminals Nos. 4, 16, 19) (Mod. 1265)	11	—	C	BA13
28S/1200049	A31/A12	Attachments for 10-20 N 23023, Terminal:—				
28W/9416641	SP.47/A	Screw, 6 BA	1	—	C	
		Washer, spring	1	—	C	
12201	10-20 N 8049A	BRACKET , mounting, 20-way terminal blocks, coded "ME," assembly	1	—	P	BA17
		Attachments: for 10-20 N 8049A, Bracket:—				
28S/9992522	A32/B16	Screw, 4 BA	4	—	C	
	10-20 N 21037A	CABLE , coded "ME-ME," assembly (Mod. 1120)	1	—	ECC	BA5
	10-20 N 22713A	CABLE , coded "MU.PO1-ME," assembly (Mod. 990)	1	—	ECC	BA5
	10-20 N 23679A	CABLE , coded "Q.CJ-ME," assembly (Mod. 1232)	1	—	ECC	BA5
		INSTALLATION BELOW TRANSVERSE BEAM, STN. 170"0, PORT, CODED "MU" (Drg. Nos. 10-20 A 1881 and 10-20 A 1617)	1	—	—	
	10-20 N 8847A	CABLE , coded "MU.PO2-ME," assembly	1	—	ECC	BA3
28E/10154	AGS.605/00	CLIP , "J," for static air pipe joint to resistor unit	1	—	C	
28E/1200546	AS.3180/5C	CLIP , "P," cable to strap bolts	2	—	C	
10D/20167	—	COMPUTOR	1	—	P	BA5
15304	10-20 A 2799A	CRATE , computer and resistor unit, assembly (Mod. 664)	1	—	P	BA14
8821	10-20 A 1595A	CATCH , assembly	1	—	C	BA14
		Attachments for 10-20 A 1595A, Catch:—				
28D/1011011	A25/8B	Bolt, 34 BA	2	—	C	
28M/9403519	A27/BP	Nut, 4 BA	2	—	C	
	10-20 A 1645ND	PAD , 1/8" thick, sponge rubber (Attach with Bostik B)	2	—	LM	BA14
	10-20 A 1599A	STRAP , computer and resistor unit (two halves), as assembly	2	—	—	BA14
	10-20 A 1605A/ND	STRAP , half, long, assembly	1	—	—	BA14
	10-20 A 1601ND	PAD , 1/8" thick, sponge rubber	1	—	LM	BA14
	10-20 A 1603ND	STRAP , bare, 20 SWG	1	L.72	LM	BA14
	10-20 A 1593ND	TUBE , reinforcing, 1/2" o/d x 20 SWG x 0"70 long	1	L.55	LM	BA14

ARMAMENT
INSTALLATION OF ROCKET PROJECTILES, GUIDED WEAPONS
(FIRESTREAK AND BULL PUP) AND HEAVY STORES, CODED "AB"

Ref. No.	Part No.	Description	No. off						Material Specification	Class of Store or L.M	Place No.
			1	2	3	4	5	6			
	10-20 A 1611A/ND	STRAP, half, short						1	—	—	BA14
	10-20 A 1607ND	PAD, 1/8" thick, sponge rubber						1	—	LM	BA14
	10-20 A 1609ND	STRAP, bare, 20 SWG						1	L.72	LM	BA14
	10-20 A 1593ND	TUBE, reinforcing, 1/2" o/d x 22 SWG x 0'-70 long						1	L.55	LM	BA14
		Attachments for 10-20 A 1599A, Strap:—									
8438	10-20 R 2597	Bolt, 2 BA						1	—	C	BA14
28M/10288	AGS.2001/C/1	Nut, 2 BA						1	—	C	
28P/841	SP.4Y/B15	Pin, shackle						2	—	C	
28P/1007741	SP.9/C8	Pin, split						2	—	C	
28VV/9419475	SP.15/C	Washer						2	—	C	
8822	10-20 A 1597	Washer, saddle						2	—	C	BA14
28W/20434	—	UNIT, resistor, coded "MV"						1	—	P	BA5
		Attachments for Ref. No. 10W/20434, Unit:—									
28S/1011488	A32/B28	Screw, 4 BA						4	—	C	
	—	INSTALLATION IN COCKPIT PORT, STN. 176", CODED "MR" (Drg. Nos. 10-20 N 8003 and 10-20 N 10767)						1	—	—	
	10-20 N 23199A	CABLE, coded "MR2-Q," assembly (Mod. 1133)						1	—	ECC	BA5
	10-20 N 9591A/1	CABLE, coded "MR3-DC.A," assembly						1	—	ECC	BA5
	10-20 N 9593A/1	CABLE, coded "MR4-DC.B," assembly						1	—	ECC	BA5
	10-20 N 13309A	CABLE, coded "MR5-ME," assembly (Mod. 109)						1	—	ECC	BA5
5D/2037	—	UNIT, protective relay, Type EP/EL Mk. 1						1	—	P	BA5
		Attachments for Ref. No. 5D/2037, Unit:—									
28D/1008149	A25/2B	Bolt, 4 BA						4	—	C	
28VV/9419401	SP.10/B	Washer						4	—	C	
	—	INSTALLATION ON FORWARD FACE OF REAR PRESSURE BULKHEAD, AND OF ARMAMENT RELAY PANEL (Drg. Nos. 10-20 N 10635, 10-20 N 11421, 10-20 N 14289, 10-20 N 14755A and 10-20 N 23641 Mod. 1232)						1	—	—	
	—	BLOCK, fuse, coded "H," group						1	—	—	
	—	BLOCK, fuse, 12-way (See sub-section EBV)						—	—	—	
10H/23864	—	FUSE, 5 amp.						5	—	C	BA5
	—	BLOCK, fuse, coded "M," group						1	—	—	
	—	BLOCK, fuse, 12-way (See sub-section EBV)						—	—	—	
10H/23864	—	FUSE, 5 amp. (Pre Mod. 1265)						2	—	C	BA5
10H/23862	—	FUSE, 10 amp.						1	—	C	BA5
	—	BLOCK, terminal, coded "AG," group						1	—	—	
	DHS.456/10	BLOCK, terminal, 10-way, assembly (For breakdown see DHS. Data Sheet)						1	—	—	BA5
	5X/3275	COVER, terminal block						1	—	P	BA13
5X/9450403	PLESSEY Z.28426	PILLAR, fixing, 4 BA						2	—	C	BA17
7657	DHS.870/5	PILLAR, fixing, 4 BA						2	S.1	C	BA17
26DV/12296	DHS.489/5	SPACER						2	P.V.C.	C	BA17

**ARMAMENT
INSTALLATION OF ROCKET PROJECTILES, GUIDED WEAPONS
(FIRESTREAK AND BULL PUP) AND HEAVY STORES, CODED "AB"**

Ref. No.	Part No.	Description	No. off						Material Specification	Class of Store or L.M.	Plate No.
			1	2	3	4	5	6			
	—	BLOCK , terminal, coded "CJ," group						1	—	—	
	DHS.456/10	BLOCK , terminal, 10-way, assembly (For breakdown see DHS. Data Sheet)						1	—	—	BA5
5X/3275	PLESSEY CZ.26808	COVER , terminal block						1	—	P	BA13
5X/9450403	PLESSEY Z.28426	PILLAR , fixing, 4 BA						2	—	C	BA17
5195	DHS.849	SCREW , terminal (Fit at terminal No. 3) ...						1	BS.249	C	BA12
	—	BOARD , terminal, coded "CH," group						1	—	—	
5X/9402792	AS.2651	BOARD , terminal, 2-way, 37 amp.						1	—	C	BA5
	10-20 N 13207ND	COVER , terminal, board, coded "Q-CH" ... (Make from Ref. No. 5X/9435997)						1	—	LM	
5X/9400056	AS.2675	FERRULE , 37 amp.						4	—	C	
285/9995376	A32/B20	SCREW , 4 BA						2	—	C	
5X/9402798	AS.2641	TERMINAL , double tier						2	—	C	
	10-20 N 23103A	CABLE , bung Q1, coded "FB," assembly (Mod. 1120, Pre Mod. 803) (For cables circuit coded "AA" and "AB")						1	—	ECC	BA5
	10-20 N 23105A	CABLE , bung Q1, coded "FB," assembly (Mods. 1120 and 803) (For cables circuit coded "AA" and "AB")						1	—	ECC	BA5
	10-20 N 22737A	CABLE , bung Q7, coded "FA," assembly (Mod. 1042, Pre Mod. 803) (For cables circuit coded "AB")						1	—	ECC	BA5
	10-20 N 22735A	CABLE , bung Q7, coded "FA," assembly ... (Mods. 1042 and 803) (For cables circuit coded "AB")						1	—	ECC	BA5
	10-20 N 20941A	CABLE , coded "Q," assembly (Mod. 1133) ...						1	—	ECC	BA5
	10-20 N 23193A	PANEL , armament relay, c/w wiring and equipment, assembly (Mod. 1133, Pre Mod. 1369, 1305 and 1265)						1	—	—	
	10-20 N 23911A	PANEL , armament relay, c/w wiring and equipment, assembly (Mod. 1369)						1	—	—	
	10-20 N 23925A	PANEL , armament relay, c/w wiring and equipment, assembly (Mod. 1265, Pre Mod. 1305)						1	—	—	
	10-20 N 24257A	PANEL , armament relay, c/w wiring and equipment, assembly (Mod. 1305)						1	—	—	
	10-20 N 15701A	CABLE , coded "Q28," assembly (Mod. 702)						1	—	ECC	BA7
	10-20 N 22845A	CABLE , coded "Q29," assembly (Mod. 1000) Attachments for 10-20 N 22845A, Cable :—						1	—	ECC	BA6
28M/10286	AGS.2001/A/1	Nut, 6 BA						4	—	C	
285/14019	A32/A14	Screw, 6 BA						4	—	C	
28W/9419464	SP.13/A	Washer (Fit under screw head at plug plate) ...						1	—	C	
	10-20 N 23193A/ CABLES	CABLE , link (Mod. 1133, Pre Mod. 1369, 1305 and 1265)						QR	—	ECC	BA6
	10-20 N 23911A/ CABLES	CABLE , link (Mod. 1369)						QR	—	ECC	
	10-20 N 23925A/ CABLES	CABLE , link (Mod. 1265, Pre Mod. 1305) ...						QR	—	ECC	
	10-20 N 24257A/ CABLES	CABLES , link						QR	—	ECC	

**ARMAMENT
INSTALLATION OF ROCKET PROJECTILES, GUIDED WEAPONS
(FIRESTREAK AND BULL PUP) AND HEAVY STORES, CODED "AB"**

Ref. No.	Part No.	Description	No. of	Material Specification	Class of Store or LM	Place No.
	10-20 N 15869A	PANEL , armament relay, c/w equipment, less wiring, assembly (Mod. 938)	1	—	—	BA6
	—	BLOCK , terminal, coded "AY," group ...	1	—	—	
	DHS.456/5	BLOCK , terminal, 5-way, assembly ... (For breakdown see DHS. Data Sheet)	1	—	—	BA7
		Attachments for DHS.456/5, Block :—				
28M/10287	AGS.2001/B/1	Nut, 4 BA ...	2	—	C	
28S/1011488	A32/B28	Screw, 4 BA ...	2	—	C	
5X/1004082	—	LINK , terminal connecting, 2-way ... (5940-99-100-4082)	1	—	C	BA7
	—	BLOCK , terminal, coded "CC," group ...	1	—	—	
	DHS.456/20	BLOCK , terminal, 20-way, assembly ... (For breakdown see DHS. Data Sheet)	1	—	—	BA5
5X/9149643	PLESSEY CZ.25111	COVER , terminal block ... (5940-99-914-9643)	1	—	P	BA13
5X/1004082	—	LINK , terminal connecting, 2-way ... (5940-99-100-4082)	1	—	C	BA5
28M/10287	AGS.2001/B/1	NUT , 4 BA ...	2	—	C	
5X/9450403	PLESSEY Z.28426	PILLAR , fixing, 4 BA (5340-99-945-0403)	2	—	C	BA17
18806	10-20 N 23023	TERMINAL , dummy (Fit at terminals Nos. 2, 4, 8, 13, 15, 18) (Mod. 1232)	6	—	C	BA13
		Attachments for 10-20N23023, Terminal:—				
28S/1200049	A31/A12	Screw, 6 BA ...	1	—	C	
28W/9416641	SP.47/A	Washer, spring ...	1	—	C	
	—	BLOCKS , terminal, coded "CA" and "CB," group	1	—	—	
	DHS.456/10	BLOCK , terminal, 10-way, assembly ... (For breakdown see DHS. Data Sheet)	2	—	—	BA5
5X/3275	PLESSEY CZ.26808	COVER , terminal block ...	2	—	P	BA13
28M/10287	AGS.2001/B/1	NUT , 4 BA ...	4	—	C	
5X/9450403	PLESSEY Z.28426	PILLAR , fixing (5340-99-945-0403) ...	4	—	C	BA17
18806	10-20 N 23023	TERMINAL , dummy (Fit at block coded "CA" terminal No. 7 and at block coded "CB," terminals Nos. 2, 6, 8) (Mod. 1256)	6	—	C	BA13
		Attachments for 10-20N 23023, Terminal:—				
28S/1200049	A31/A12	Screw, 6 BA ...	1	—	C	
28W/9416641	SP.47/A	Washer, spring ...	1	—	C	
28E/9436819	AS.3180/3B	CLIP , "P," cable (Mod. 1523) ... Attachments for AS.3180/3B, Clip :—	2	—	C	
28M/10287	AGS.2001/B/1	Nut, 4 BA ...	1	—	C	
28S/9992525	A32/B12	Screw, 4 BA ...	1	—	C	
28W/9419465	SP.13/B	Washer ...	1	—	C	
15705	10-20 N 14135A	PANEL , base, and relay brackets, assembly (Mod. 556)	1	—	P	BA15
		Spares for :—				
	10-20 N 8205ND	BRACKET , L.H., 18 SWG ...	2	L.72	LM	BA15
	10-20 N 8206ND	BRACKET , R.H., 18 SWG ...	2	L.72	LM	BA15
	10-20 N 13297	BRACKET , relay, 20 SWG (Mod. 556)	1	L.72	LM	BA15
12204	10-20 N 8199	SPIGOT ... Attachments for 10-20 N 8199, Spigot:—	2	—	C	BA15
28M/10290	AGS.2001/E/1	Nut, 1/4" BSF ...	1	—	C	
28W/9418921	SP.13/E	Washer ...	1	—	C	
15707	10-20 N 14133A	PLATE , plug, assembly (Mod. 556) Attachments for 10-20 N 14133A, Plate :—	1	—	C	BA15
28M/10287	AGS.2001/B/1	Nut, 4 BA ...	3	—	C	
28S/1008327	A32/B14	Screw, 4 BA ...	3	—	C	
28W/9419465	SP.13/B	Washer ...	3	—	C	

ARMAMENT
INSTALLATION OF ROCKET PROJECTILES, GUIDED WEAPONS
(FIRESTREAK AND BULL PUP) AND HEAVY STORES, CODED "AB"

Ref. No.	Part No.	Description						No. off	Material Specification	Class of Store or LM	Plate No.
		1	2	3	4	5	6				
	—										
5X/6681 12202	HELLERMANN HV.2256 10-20 N 8213										
28D/1214880 28M/10327	AS.1246/18B AGS.2002/B/1 AS.2810/4/070										
28W/9143227	AS.2810/4/095										
10CV/0372039	SP.14/B CV.7039										
28W/9437455 28W/1206041	SP.25/B AGS.2035/B										
	10-20 N 20097A										
	10-20 N 20097A/ CABLES										
10F/0119145	—										
28M/10327 28S/9992525 28W/9419465	AGS.2002/B/1 A32/B12 SP.13/B										
10F/0119145	—										
28M/10327 28S/9992525 28W/9419465	AGS.2002/B/1 A32/B12 SP.13/B										
5CW/6853	—										
28S/1012450 28S/9995376 26DV/12294	A32/B10 A32/B20 DHS.489/3 10-20 N 12957										
28W/1206041	AGS.2035/B										
	10-20 N 14183A										
	10-20 N 10277A										
	10-20 N 10275ND 10-20 N 10273ND										
28S/9131780	A33/B6										

**ARMAMENT
INSTALLATION OF ROCKET PROJECTILES, GUIDED WEAPONS
(FIRESTREAK AND BULL PUP) AND HEAVY STORES, CODED "AB"**

Ref. No.	Part No.	Description	No. off	Material Specification	Class of Store or L.M	Place No.
5CW/7817	ROTAX D.8173	SWITCH , time delay (Mod. 556) ...	1	—	P	BA6
28D/1008149	A25/2B	Attachments for 10-20 N 14183A, Switch :— Bolt, 4 BA	2	—	C	
20987	10-20 X 9363	WASHER Attachments for 10-20 N 23193A, 10-20 N 23911A, 10-20 N 23925A or 10-20 N 24257A, Panel :—	QR	—	C	
28D/9436920	A25/1C	Bolt, 2 BA	2	—	C	
28W/9419454	SP.10/C	Washer	2	—	C	
26DV/7529	— DHS.438/C DHS.1021	TERMINAL , earth stn. 31, coded "A," group TAG , corrosion TERMINAL , earth. assembly	1 1 1	— — —	— C —	BA13 BA5 BA13 BA13
15677	DHS.1018	BRACKET	1	—	C	
5X/	PLESSEY Z.50005	CHANNEL , clamping	4	—	—	
5X/8484	PLESSEY Z.24686	CIRCLIP	4	—	C	
5X/	PLESSEY Z.77414	LABEL , and plate	4	—	—	
5X/	PLESSEY Z.50749	PLATE , contact	4	—	—	
5X/8483	PLESSEY Z.24264	SCREW	4	—	C	
5X/8485	PLESSEY Z.23209	SPRING	4	—	C	
28M/10288	AGS.2001/C/1	Attachments for DHS.1021, Terminal :— Nut, 2 BA	2	—	C	
28W/9419402	SP.13/C	Washer	2	—	C	
	—	INSTALLATION AT OXYGEN BOTTLE, AFT MOUNTINGS UNDER COCKPIT FLOOR, STN. 172"0 (Drg. Nos. 10-20 N 9199, 10-20 N 9477, 10-20 N 11211 and 10-20 N 11213)	1	—	—	
	—	BLOCK , terminal, coded "NC.A" and "ND.A," group	1	—	—	
	DHS.456/5	BLOCK , terminal, 5-way, assembly (For breakdown see DHS. Data Sheet)	2	—	—	BA8
14993	10-20 N 13229A	COVER , assembly (Mod. 695)	2	—	C	BA13
5X/9450403	PLESSEY Z.28426	PILLAR , fixing, 4 BA (5340-99-945-0403) ...	3	—	C	BA17
	10-20 N 10739A	BLOCK , terminal, resistor, coded "NC.B" and "ND.B," assembly	2	—	—	BA16
	10-20 N 10737ND	COVER , 2" x 35 long (Make from AS.4804) ...	1	—	—	BA16
	10-20 N 10743A	PLATE , terminal, assembly	1	—	—	BA16
	10-20 N 10741ND	PLATE , bare, fibreglass	1	—	—	BA16
	10-20 N 10745	POST , terminal	2	BS.249	—	BA16
5F/2279	—	STRAP , $\frac{3}{8}$ " wide	QR	—	C	
5F/2307	—	STUD , for strap	QR	—	C	
5K/3656	ROSS COURTNEY CO. RC.324	TAG Attachments for Ref. No. 5K/3656, Tag :— Screw, 4 BA	2 1	— —	C C	BA16
28S/9148118	A43/B10	Washer, 4 BA, beryllium copper crinkle ...	1	—	C	BA16
9012	D. POWIS LTD.	Attachments for 10-20 N 10739A, Block :— Screw, 4 BA	2	—	C	
28S/1200034	A31/B16	CABLE , coded "MA.4-ACE.5," assembly ... (Mods. 978 and 775)	1	—	ECC	BA8

**ARMAMENT
INSTALLATION OF ROCKET PROJECTILES, GUIDED WEAPONS
(FIRESTREAK AND BULL PUP) AND HEAVY STORES, CODED "AB"**

Ref. No.	Part No.	Description	No. off	Material Specification	Class of Store or L.M	Plate No.
	10-20 N 15529A	CABLE , coded "MA.5-ACC.5," assembly ... (Mods. 978 and 775)	1	—	ECC	BA8
	10-20 N 12351A	CABLE , coded "NA.1-PB," assembly (Mod. 416)	1	—	ECC	BA8
	10-20 N 12353A	CABLE , coded "NA.2-PC," assembly (Mod. 416)	1	—	ECC	BA8
	10-20 N 15509A	CABLE , coded "NA.3-ACC.1," assembly (Mod. 978)	1	—	ECC	BA8
	10-20 N 15513A	CABLE , coded "NA.4-ACC.3," assembly ... (Mod. 978)	1	—	ECC	BA8
	10-20 N 12355A	CABLE , coded "NB.1-VB," assembly (Mod. 416)	1	—	ECC	BA8
	10-20 N 12357A	CABLE , coded "NB.2-VC," assembly (Mod. 416)	1	—	ECC	BA8
	10-20 N 15517A	CABLE , coded "NB.3-ACE.1," assembly ... (Mod. 978)	1	—	ECC	BA8
	10-20 N 15521A	CABLE , coded "NB.4-ACE.3," assembly ... (Mod. 978)	1	—	ECC	BA8
5X/	10-20 N 8349A PLESSEY CZ.28206	CABLE , coded "VG-ND," assembly ... PLUG , bulkhead, coded "NA.1," "NA.2," "NB.1" and "NB.2"	1 4	—	ECC	BA8
	—	INSTALLATION AT OXYGEN BOTTLE, AFT MOUNTING, UNDER COCK- PIT FLOOR, STN. 174"0 (Drg. Nos. 10-20 N 9199, 10-20 N 12509A and 10-20 N 23641 Mod. 1232)	1	—	—	—
	10-20 N 12503A/ND	BLOCK , terminal, coded "NH," assembly (Mod. 416)	1	—	—	—
	DHS.456/10	BLOCK , terminal, 10-way, assembly ... (For breakdown see DHS. Data Sheet)	1	—	—	BA8
5X/2863	PLESSEY CZ.24285	BLOCK , terminal, 10-way, assembly ...	1	—	C	BA8
14994	10-20 N 13233A	COVER , terminal block ...	2	—	C	BA13
13586	DHS.870/3	PILLAR , fixing, 4 BA ...	4	—	C	BA17
26DV/12294	DHS.489/3	SPACER ...	4	—	C	BA13
	10-20 N 23093A	CABLE , coded "18.LR.ABN-ABN.NH.18," assembly (Mod. 1120)	1	—	ECC	BA8
18806	10-20 N 23023	TERMINAL , dummy (Fit at terminal block "NH," terminals Nos. 17 and 19) (Mod. 1232)	2	—	C	BA13
285/1200049	A31/A12	Attachments: for 10-20 N 23023, Terminal :- Screw, 6 BA ...	1	—	C	—
28W/9416641	SP.47/A	Washer, spring ...	1	—	C	—
	—	INSTALLATION IN ACCUMULATOR BAY (Drg. Nos. 10-20 N 8337, 10-20 N 8295 and 10-20 N 9199)	1	—	—	—
	—	BLOCK , terminal, coded "JAP," group ...	1	—	—	—
	DHS.456/20	BLOCK , terminal, 20-way, assembly ... (For breakdown see DHS. Data Sheet)	1	—	—	BA8
16180	90-20 N 10687A	COVER , assembly ...	1	—	C	BA17
16898	10-20 N 10685	COVER , bare, fibreglass ...	1	—	C	BA17
	10-20 N 10683	SCREW , 2 BA ...	2	BS.249	—	BA17
	10-20 N 10681	SPACER ...	2	LFB.82 or 89	—	BA17
5X/9450403	PLESSEY Z.28426	PILLAR , fixing, 4 BA (5340-99-945-0403) ...	2	—	C	BA17
18388	10-20 N 23083A	BOX , armament ground test, c/w wiring, coded "NE," assembly (Mod. 1167)	1	—	P	BA8 BA16
	10-20 N 10337A	BOX , armament ground test, less wiring, assembly (Mod. 214)	1	—	—	BA16
	—	BLOCKS , terminal, coded "M" and "P," group	1	—	—	—
	DHS.456/5	BLOCK , terminal, 5-way, assembly ... (For breakdown see DHS. Data Sheet)	2	—	—	BA8
14993	10-20 N 13229A	COVER , assembly (Mod. 695) ...	2	—	C	BA13
5X/9450403	PLESSEY Z.28426	PILLAR , fixing, 4 BA (5430-99-945-0403)	4	—	C	BA17
5195	DHS.849	SCREW , terminal (Block "M," terminals Nos. 1, 2 and 4)	3	—	C	BA12

**ARMAMENT
INSTALLATION OF ROCKET PROJECTILES, GUIDED WEAPONS
(FIRESTREAK AND BULL PUP) AND HEAVY STORES, CODED "AB"**

Ref. No.	Part No.	Description	No. off						Material Specification	Class of Store or L.M	Plate No.
			1	2	3	4	5	6			
	---	BLOCK , terminal, coded "V," group (Mod. 902)						1	---	---	
	DHS.456/2	BLOCK , terminal, 2-way, assembly ... (For breakdown see DHS. Data Sheet)						1	---	---	BA8
15981	10-20 N 15151A	COVER , terminal block ...						1	---	C	BA16
28M/10327	AGS.2002/B/1	NUT , 4 BA ...						2	---	C	
5X/9450403	PLESSEY Z.28426	PILLAR , fixing, 4 BA (5340-99-945-0403)						2	---	C	BA17
	---	BOARDS , terminal, coded "S" and "R" group						1	---	---	
5X/9402792	AS.2651	BOARD , terminal, 37 amp. ... (5940-99-940-2792)						2	---	C	BA8
	10-20 N 8041ND	COVER , coded "R" (Make from ref. No. 5X/9435997)						1	---	LM	BA16
	10-20 N 8039ND	COVER , coded "S" (Make from Ref. No. 5X/9435997)						1	---	LM	BA16
5X/9400056	---	FERRULE , No. 7 (Spares) ... (5975-99-940-0056)						2	---	C	
28S/1200040	A31/B20	SCREW , 4 BA ...						4	---	C	
5X/9002	AS.2640	SOCKET , terminal, single tier, 37 amp.						2	---	C	
5X/9402798	AS.2641	TERMINAL , double tier ... (5940-99-940-2798)						2	---	C	
28W/9480389	SP.26/B	WASHER ...						4	---	C	
12767	10-20 N 10335A	BOX , bare, assembly ... Spares for :—						1	---	P	BA16
	10-20 N 11535A	BRACKET , attachment, assembly ...						1	---	---	BA16
	10-20 N 11537ND	BRACKET , bare, 18 SWG ...						1	L.72	LM	BA16
28M/9435649	AGS.2018/E/1	NUT , anchor, 1/2" BSF ...						2	---	C	
	10-20 N 15451ND	PLATE , packing (Make from DHS. 878/E/12)						2	---	LM	BA16
12247	10-20 N 8053A	COVER , assembly ... Spares for :—						1	---	C	BA16
28FP/9703273	DZUS A3/30	FASTENER ...						5	---	C	
28FP/9138002	DZUS GA.3/175	GROMMET ...						5	---	C	
	10-20 N 8037A/ND	CLIP , saddle, assembly ...						1	---	---	BA16
	DHS.29/19	CLIP , saddle, 14 SWG ...						1	L.16	LM	BA16
13115	DHS.181/8	TUBING , 8 m/m i/d x 2"-0 long approx. Attachments for 10-20 N 8037A/ND, Clip :—						QR	---	C	BA16
28S/9992522	A32/B16	Screw, 4 BA ...						2	---	C	
28W/9419465	SP.13/B	Washer ...						2	---	C	
	---	RELAY , coded "U," group (Mod. 902) ...						1	---	---	
	10-20 N 14745	BRACKET , mounting, relay, 20 SWG Attachments for 10-20 N 14745, Bracket :—						1	L.72	LM	BA16
28M/10327	AGS.2002/B/1	Nut, 4 BA ...						2	---	C	
28S/9992525	A32/B12	Screw, 4 BA ...						2	---	C	
28W/9419465	SP.13/B	Washer ...						2	---	C	
10F/9320971	ERICSSON N.22618 AD1	RELAY , magnetic, Type 2 ... (5945-99-932-0971) Attachments for N.22618 AD1, Relay :—						1	---	---	
28M/10327	AGS.2002/B/1	Nut, 4 BA ...						2	---	C	
28S/9992525	A32/B12	Screw, 4 BA ...						2	---	C	
28W/9419465	SP.13/B	Washer ...						2	---	C	
20987	10-20 X 9363	WASHER ...						QR	---	C	
5CW/6309	---	SWITCH , magnetic, Type 31A, coded "T" Attachments for Ref. No. 5CW/6309, Switch :—						1	---	P	BA8
28S/1200039	A31/B32	Screw, 4 BA ...						3	---	C	
28W/9480389	SP.26/B	Washer ...						3	---	C	

ARMAMENT
INSTALLATION OF ROCKET PROJECTILES, GUIDED WEAPONS
(FIRESTREAK AND BULL PUP) AND HEAVY STORES, CODED "AB"

Ref. No.	Part No.	Description	1 2 3 4 5 6						No. off	Material Specification	Class of Store or L.M.	Plate No.
			1	2	3	4	5	6				
26DV/4969	DHS.437/C	TERMINAL , earth, assembly (For breakdown see DHS. Data Sheet)						1	—	C	BA8 BA16	
		Attachments for DHS.437/C, Terminal :—										
28M/10275	AGS.2001/C/4	Nut, 2 BA						2	—	C		
28S/9473255	A44/C16	Screw, 2 BA						2	—	C		
28W/1009752	SP.25/C	Washer						4	—	C		
	10-20 N 15225A	CABLE , coded "N," assembly (Mod. 902)						1	—	ECC	BA8	
	10-20 N 23097A	CABLE , coded "Q," assembly (Mod. 1167)						1	—	ECC	BA8	
		Attachments for 10-20 N 23097A, Cable :—										
28M/10288	AGS.2001/C/1	Nut, 2 BA						2	—	C		
28S/1007405	A32/C14	Screw, 2 BA						2	—	C		
	10-20 N 23083A/ CABLES	CABLES , link						QR	—	ECC	BA8	
		Attachments for 10-20 N 23083A, Box :—										
28D/1212412	A25/43C	Bolt, 2 BA						1	—	C		
28D/1215681	A59/2E	Bolt, 1/4" BSF						2	—	C		
28M/10288	AGS.2001/C/1	Nut, 2 BA						1	—	C		
	AS.2811/5/400	Tube, distance, 5/16" o/d x 17 SWG x 4" 00 long						1	L.62	LM		
28W/9419402	SP.13/C	Washer						1	—	C		
5CW/9108	—	SWITCH , micro, coded "NF" (Mod. 1454) ...						1	—	P	BA9	
		Attachments for Ref. No. 5CW/9108, Switch :—										
28D/9435710	A25/11C	Bolt, 2 BA						3	—	C		
28M/10288	AGS.2001/C/1	Nut, 2 BA						3	—	C		
	—	TERMINAL , earth, stn. 5, coded "B," group						1	—	—		
5X/9400051	—	FERRULE (Spares) (5975-99-940-0051) ...						5	—	C		
26DV/7529	DHS.438/C	TAG , corrosion						1	—	C	BA13	
26DV/4969	DHS.437/C	TERMINAL , earth, assembly (For breakdown see DHS. Data Sheet)						1	—	C	BA9 BA16	
		Attachments for DHS.437/C, Terminal :—										
28D/9133012	A25/3C	Bolt, 2 BA						2	—	C		
28M/10288	AGS.2001/C/1	Nut, 2 BA						2	—	C		
28W/9419402	SP.13/C	Washer						2	—	C		
	—	TERMINAL , earth, stn. 5, coded "C," group						1	—	—		
26DV/7529	DHS.438/C	TAG , corrosion						1	—	C	BA13	
26DV/4969	DHS.437/C	TERMINAL , earth, assembly (For breakdown see DHS. Data Sheet)						1	—	C	BA8 BA16	
		Attachments for DHS.437/C, Terminal :—										
28D/9137409	AS.1246/2C	Bolt, 2 BA						2	—	C		
28W/9419402	SP.13/C	Washer						2	—	C		
	—	VALVE , selector, c/w solenoid, coded "NG" (See sub-section QQ)						—	—	—		

**ARMAMENT
INSTALLATION OF ROCKET PROJECTILES, GUIDED WEAPONS
(FIRESTREAK AND BULL PUP) AND HEAVY STORES, CODED "AB"**

Ref. No.	Part No.	Description	No. off	Material Specification	Class of Store or L.M	Place No.
		INSTALLATION AT PORT CENTRE WING DECK PANEL, CODED "FA" (Drg. Nos. 10-20 N 5123, 10-20 N 11143, 10-20 N 11211, 10-20 N 11565, 10-20 N 13301A, 10-20 N 13521A and 10-20 N 23641 Mod. 1232)	1	—	—	
	—	BLOCK , terminal, coded "AL," group ...	1	—	—	
	DHS.456/20	BLOCK , terminal, 20-way, assembly (For breakdown see DHS. Data Sheet)	1	—	—	BA9
5X/9149643	PLESSEY CZ.25111	COVER , terminal block ...	1	—	P	BA13
5X/9450403	PLESSEY Z.28426	PILLAR , fixing, 4 BA ...	2	—	C	BA17
19729	10-20 N 12965	TAG , coding, 24 SWG ...	1	L.72	C	BA16
18806	10-20 N 23023	TERMINAL , dummy (Fit at terminals Nos. 15, 17, 18) (Mod. 1232)	3	LFS.21, 23 or 26	C	BA13
		Attachments for 10-20 N 23023, Terminal :—				
28S/1200049	A31/A12	Screw, 6 BA ...	1	—	C	
28W/9416641	SP.47/A	Washer, spring ...	1	—	C	
28W/9419474	SP.15/B	WASHER ...	2	—	C	
	10-20 N 13371A	CABLE , coded "PQ," assembly (Mod. 556) ...	1	—	ECC	BA9
	10-20 N 13903A	CABLE , coded "SJ1-FA," assembly (Mod. 655) ...	1	—	ECC	BA10
	10-20 N 13905A	CABLE , coded "SJ2-FA," assembly (Mod. 655) ...	1	—	ECC	BA10
	10-20 N 22995A	CABLE , coded "SJ4-FA," assembly (Mod. 1232) ...	1	—	ECC	BA10
	10-20 N 20947A	CABLE , coded "SJ7-FA," assembly (Mod. 1133) ...	1	—	ECC	BA10
	10-20 N 13521A/ CABLES	CABLES , link (Pre Mod. 963) ...	QR	—	ECC	BA9
	—	CIRCUIT-BREAKER , coded "AU," group (Mod. 1280)	1	—	—	
5CY/4520	—	CAP , protective ...	1	—	C	
5CY/2560	—	CIRCUIT-BREAKER , Type A.2, 10 amp. ...	1	—	P	BA9
17852	10-20 N 9005	LINK , between AE.2 and AU.2 (Mod. 963) ...	1	—	C	EBV5
28S/9435647	A44/A4	SCREW , 6 BA ...	2	—	C	
28W/9419474	SP.15/B	WASHER , ...	2	—	C	
	—	CIRCUIT-BREAKER , reverse current, coded "R" (See sub-section EBT)	—	—	—	
5X/7310	HELLERMANN HC.1290	SPLICE , in-line, coded "HV" ...	1	—	C	BA9
	—	INSTALLATION AT STARBOARD CENTRE WING DECK PANEL, CODED "FB" (Drg. Nos. 10-20 N 11213, 10-20 N 11143, 10-20 N 14863A and 10-20 N 23641 Mod. 1232)	1	—	—	
	—	BLOCK , terminal, coded "AL," group ...	1	—	—	
	DHS.456/20	BLOCK , terminal, 20-way, assembly (For breakdown see DHS. Data Sheet)	1	—	—	BA9
5X/9149643	PLESSEY CZ.25111	COVER , terminal block ...	1	—	P	BA13
5X/9450403	PLESSEY Z.28426	PILLAR , fixing, 4 BA ...	2	—	C	BA17
19729	10-20 N 12965	TAG , coding, 24 SWG ...	1	L.72	C	BA16
18806	10-20 N 23023	TERMINAL , dummy (Fit at terminals Nos. 5 and 9) (Mod. 1232)	2	LFS.21, 23 or 26	C	BA13
		Attachments for 10-20 N 20323, Terminal :—				
28S/1200049	A31/A12	Screw, 6 BA ...	1	—	C	
28W/9416641	SP.47/A	Washer, spring ...	1	—	C	
28W/9419465	SP.13/B	WASHER , ...	2	—	C	
	10-20 N 12359A	CABLE , coded "VM10-FB," assembly (Mod. 416) ...	1	—	ECC	BA9
	10-20 N 9711A	CABLE , coded "VM12-FB," assembly ...	1	—	ECC	BA9
	10-20 N 20949A	CABLE , coded "XJ7-VB-FB," assembly (Mod. 1133) ...	1	—	ECC	BA9

ARMAMENT
INSTALLATION OF ROCKET PROJECTILES, GUIDED WEAPONS
(FIRESTREAK AND BULL PUP) AND HEAVY STORES, CODED "AB"

Ref. No.	Part No.	Description	No. off	Material Specification	Class of Store or L.M	Place No.
26DV/7529	—	TERMINAL , earth, strn. 8, coded "D," group...	1	—	—	
26DV/4969	DHS.438/C	TAG , corrosion	1	L.16	C	BA13
	DHS.437/C	TERMINAL , earth, assembly	1	—	C	BA16
		(For breakdown see DHS. Data Sheet)				
		Attachments for DHS.437/C, Terminal :—				
28M/10328	AGS.2002/C/1	Nut, 2 BA	2	—	C	
28S/15552	A32/C18	Screw, 2 BA	2	—	C	
28W/9419402	SP.13/C	Washer	2	—	C	
	—	INSTALLATION AT STUB WING INBOARD	1	—	—	
		(RIB 3) G.W. PYLON CASTING,				
		PORT, CODED "PB" (Drg. Nos.				
		10-20 N 11211 and 10-20 N 23641				
		Mod. 1232)				
	—	BLOCK , terminal, coded "A," group	1	—	—	
	DHS.456/20	BLOCK , terminal, 20-way, assembly	1	—	—	BA9
		(For breakdown see DHS. Data Sheet)				
16255	10-20 N 8799	NUT , 4 BA, slotted	2	S.93	C	BA14
28S/1011499	A33/B32	SCREW , 4 BA	2	—	C	
18806	10-20 N 23023	TERMINAL , dummy (Fit at terminal No. 3)	1	LFS.21.	C	BA13
		(Mod. 1232)		23 or 26		
		Attachments for 10-20 N 23023, Terminal :—				
28S/1200049	A31/A12	Screw, 6 BA	1	—	C	
28W/9416641	SP.47/A	Washer, spring	1	—	C	
28W/1206041	AGS.2035/B	WASHER , shakeproof	2	—	C	
	—	BLOCK , terminal, coded "B," group	1	—	—	
		(Mod. 358)				
	DHS.456/5L	BLOCK , terminal, 5-way, L.H., assembly	1	—	—	BA9
		(For breakdown see DHS. Data Sheet)				
		Attachments for DHS.456/5L, Block :—				
28S/1011488	A32/B28	Screw, 4 BA	2	—	C	
	10-20 N 12163A	BRACKET , terminal block mounting, L.H.,	1	—	—	BA16
		coded "B," assembly				
28M/9434252	10-20 N 12165ND	BRACKET , bare, 18 SWG	1	L.72	LM	BA16
	AGS.2018/B/1	NUT , anchor, 4 BA	2	—	C	
	10-20 N 12167ND	STIFFENER , 20 SWG	1	L.72	LM	BA16
		Attachments for 10-20 N 12163A, Bracket :—				
28M/10327	AGS.2002/B/1	Nut, 4 BA	2	—	C	
28S/9435715	A33/B16	Screw, 4 BA	2	—	C	
28W/9419465	SP.13/B	Washer	2	—	C	
5X/1004082	—	LINK , terminal connecting, 2-way	1	—	C	BA9
	10-20 N 9/673 Mk. 2	CABLE , coded "1.B.BP.AB★-AB★13.A.4," assembly	1	—	ECC	BA9
		(Mod. 416)				
	10-20 N 15511A	CABLE , coded "2.ACD-PB.C," assembly (Mod. 978)	1	—	ECC	BA9
	10-20 N 15325A	CABLE , unitor, coded "PB," assembly (Mod. 818)	1	—	ECC	BA9

**ARMAMENT
INSTALLATION OF ROCKET PROJECTILES, GUIDED WEAPONS
(FIRESTREAK AND BULL PUP) AND HEAVY STORES, CODED "AB"**

Ref. No.	Part No.	Description	No. off	Material Specification	Class of Store or L.M.	Place No.
		INSTALLATION AT (RIB 0) PORT ENGINE BAY (Drg. No. 10-20 N 5123)	1	—	—	
26DV/4969	DHS.437/C	TERMINAL , earth, station 9, coded "B," assembly (For breakdown see DHS. Data Sheet)	1	—	C	BA9 BA16
		Attachments for DHS.437/C, Terminal :—				
28M/10288	AGS.2001/C/1	Nut, 4 BA	2	—	C	
28S/15552	A32/C18	Screw, 4 BA	2	—	C	
28W/9419402	SP.13/C	Washer	4	—	C	
		VALVE (TAP) , single, electromatic, C.A.U. cut off, coded "PQ" (See sub-section QY)	—	—	—	
		INSTALLATION AT FRONT SPAR, CODED "PG," (RIBS Nos. 3B-4) STUB WING, PORT (Drg. Nos. 10-20 N 9477, 10-20 N 11211 and 10-20 N 11717)	1	—	—	
	10-20 N 9/673 Mk. 3	CABLE , coded "1.B.PC.AB-AB.13.A.4," assembly (Mod. 416)	1	—	ECC	BA10
	10-20 N 15459A	CABLE , coded "5.ACC-ACD.6," assembly (Mod. 978)	1	—	ECC	BA9
	10-20 N 15467A	CABLE , coded "2.ACD-ACC.1," assembly (Mod. 978)	1	—	ECC	BA9
	10-20 N 15463A	CABLE , coded "4.ACD-ACC.3," assembly (Mod. 978)	1	—	ECC	BA9
	10-20 N 15515A	CABLE , coded "4.ACD-PC.C," assembly (Mod. 978)	1	—	ECC	BA10
28E/9436947	10-20 N 15531A AS.3180/4B	CABLE , coded "6.ACD-PM9," assembly (Mod. 978)	1	—	ECC	BA10
		CLIP , "P," securing electro magnetic valve cables to top stringer	1	—	C	BA16
		Attachments for AS.3180/4B, Clip :—				
28M/10287	AGS.2001/B/1	Nut, 4 BA	1	—	C	
28S/9992522	A32/B16	Screw, 4 BA	1	—	C	
28W/9419465	SP.13/B	Washer	1	—	C	
26DV/7529	DHS.438/C	TERMINAL , earth, stn. 13, coded "A," group	1	—	—	
26DV/4969	DHS.437/C	TAG , corrosion	1	L.16	C	BA13
		TERMINAL , earth, assembly (For breakdown see DHS. Data Sheet)	1	—	C	BA9 BA16
		Attachments for DHS.437/C, Terminal :—				
28D/9138768	A25/1/3	Bolt, 2 BA	2	—	C	
		VALVE (TAP) , twin low pressure electromatic coded "PG" (See sub-section QY)	—	—	—	
		INSTALLATION AT STUB WING, OUT-BOARD (RIB No. 4) G.W. PYLON CASTING, PORT, CODED "PC" (Drg. Nos. 10-20 N 9477 and 10-20 N 23641 (Mod. 1232)	1	—	—	
		BLOCK , terminal, coded "A," group	1	—	—	
	DHS.456/20	BLOCK , terminal, 20-way, assembly (For breakdown see DHS. Data Sheet)	1	—	—	BA10
16255	10-20 N 8799	NUT , 4 BA, slotted	2	S.93	C	BA14
28S/1011499	A33/B32	SCREW , 4 BA	2	—	C	

ARMAMENT
INSTALLATION OF ROCKET PROJECTILES, GUIDED WEAPONS
(FIRESTREAK AND BULL PUP) AND HEAVY STORES, CODED "AB"

Ref. No.	Part No.	Description	No. off	Material Specification	Class of Store or L.M	Plate No.
18806	10-20 N 23023	TERMINAL , dummy (Fit at terminal No. 3) (Mod. 1232)	1	LFS.21, 23 or 26	C	BA13
28S/1200049	A31/A12	Attachments for 10-20 N 23023, Terminal :—				
28W/9416641	SP.47/A	Screw, 6 BA	1	—	C	
		Washer, spring	1	—	C	
28W/9419448	AGS.2035/B	WASHER , shakeproof	2	—	C	
	—	BLOCK , terminal, coded "B," group (Mod. 358)	1	—	—	
	DHS.456/5L	BLOCK , terminal, 5-way, L.H., assembly (For breakdown see DHS. Data Sheet)	1	—	—	BA10
		Attachments for DHS.456/5L, Block :—				
28S/1011488	A32/B28	Screw, 4 BA	2	—	C	
	10-20 N 12163A	BRACKET , terminal block mounting, L.H., coded "B," assembly	1	—	—	BA16
	10-20 N 12165ND	BRACKET , bare, 18 SWG	1	L.72	LM	BA16
28M/13307	AGS.2018/B/1	NUT , anchor, 4 BA	2	—	C	
	10-20 N 12167ND	STIFFENER , 20 SWG	1	L.72	LM	BA16
		Attachments for 10-20 N 12163A, Bracket :—				
28M/10327	AGS.2002/B/1	Nut, 4 BA	2	—	C	
28S/9435715	A33/B16	Screw, 4 BA	2	—	C	
28W/9419465	SP.13/B	Washer	2	—	C	
5X/1004082	—	LINK , terminal connecting, 2-way	1	—	C	BA10
	10-20 N 15327A	CABLE , unitor, coded "PC," assembly (Mod. 818)	1	—	ECC	BA10
	—	INSTALLATION AT WING-FOLD CABLE SUPPORT, PORT (Drg. No. 10-20 N 11565)	1	—	—	
	10-20 N 14119A	CABLE , coded "SJ3-PM9," assembly	1	—	ECC	BA10
	—	INSTALLATION AT EXTENSION WING, (RIBS Nos. 4A-4B), PORT (Drg. Nos. 10-20 N 11509 and 10-20 WE 3351)	1	—	—	
	10-20 N 23111A	BRACKET , mounting c/w socket/plugs, coded "SJ," Port, assembly (Mod. 1232)	1	—	—	
18813	10-20 N 23009A	BRACKET , mounting, socket/plugs, Port, assembly	1	—	C	BA13
10H/	PLESSEY CZ.61886/1	SOCKET/PLUG , bulkhead, coded "SJ1 "	1	—	—	
10H/20418	—	SOCKET/PLUG , bulkhead, coded "SJ2 "	1	—	P	
10H/20417	—	SOCKET/PLUG , bulkhead, coded "SJ5 "	1	—	P	
		Attachments for 10-20 N 23111A, Bracket :—				
28S/9435715	A33/B16	Screw, 4 BA	4	—	C	
	—	TERMINALS , earth, stn. 15, coded "A " and "B," group	1	—	—	
	10-20 N 2301	TAG , corrosion	1	L.16	LM	BA13

ARMAMENT
INSTALLATION OF ROCKET PROJECTILES, GUIDED WEAPONS
(FIRESTREAK AND BULL PUP) AND HEAVY STORES, CODED "AB"

Ref. No.	Part No.	Description	No. off	Material Specification	Class of Store or L.M.	Plate No.
6608	10-20 N 2295A	TERMINAL , earth, 45°, coded "A," assembly	1	—	C	BA10
	10-20 N 2297A	BRACKET , assembly	1	—	LM	EBY8
	DHS.436ND	PLATE , doubling, 14 SWG	1	BS.265	LM	EBY8
	10-20 N 2299ND	PLATE , terminal, 16 SWG	1	BS.265	LM	EBY8
26DV/11786	AS.2751	CIRCLIP	4	—	C	EBY8
12687	DHS.379/1	LABEL , half	1	BS.265	C	EBY8
12688	DHS.379/2	LABEL , half	1	BS.265	C	EBY8
26DV/11785	AS.2749	SOCKET , half	8	BS.265	C	EBY8
5X/9028	AS.2747	SOCKET , terminal, assembly	4	—	C	EBY8
26DV/11787	AS.2752	SPACER	4	—	C	EBY8
26DV/4969	DHS.437/C	TERMINAL , earth, coded "B," assembly (For breakdown see DHS. Data Sheet)	1	—	C	BA10 BA16
		Attachments for 10-20 N 2295A and DHS.437/C, Terminal :—				
28D/15531	A60/5E	Bolt, 1/4" BSF	2	—	C	
28M/12931	A27/ET	Nut, 1/4" BSF	2	—	C	
28W/9419405	SP.15/E	Washer	2	—	C	
	—	INSTALLATION AT STUB WING, INBOARD (RIB No. 3) G.W. PYLON CASTING, STARBOARD, CODED "VB" (Drg. Nos. 10-20 N 11213 and 10-20 N 23641 Mod. 1232)	1	—	—	
	DHS.456/20L	BLOCK , terminal, coded "A," group	1	—	—	
		BLOCK , terminal, 20-way, L.H., assembly (For breakdown see DHS. Data Sheet)	1	—	—	BA9
16255	10-20 N 8799	NUT , 4 BA, slotted	2	S.93	C	BA14
28S/1011499	A33/B32	SCREW , 4 BA	2	—	C	
18806	10-20 N 23023	TERMINAL , dummy (Fit at terminal No. 3) (Mod. 1232)	1	LFS.21, 23 or 26	C	BA13
		Attachments for 10-20 N 23023, Terminal :—				
28S/1200049	A31/A12	Screw, 6 BA	1	—	C	
28W/9416641	SP.47/A	Washer, spring	1	—	C	
28W/9419448	AGS.2035/B	WASHER , shakeproof	2	—	C	
	DHS.456/5	BLOCK , terminal, coded "B," group (Mod. 358)	1	—	—	
		BLOCK , terminal, 5-way, assembly (For breakdown see DHS. Data Sheet)	1	—	—	BA9
		Attachments for DHS.456/5, Block :—				
28S/1011488	A32/B28	Screw, 4 BA	2	—	C	
	10-20 N 12164A	BRACKET , terminal block mounting, R.H., coded "B," assembly	1	—	—	BA16
	10-20 N 12166ND	BRACKET , bare, 18 SWG	1	L.72	LM	BA16
28M/13307	AGS.2018/B/1	NUT , anchor, 4 BA	2	—	C	
	10-20 N 12168ND	STIFFENER , 20 SWG	1	L.72	LM	BA16
		Attachments for 10-20 N 12164A, Bracket :—				
28M/10327	AGS.2002/B/1	Nut, 4 BA	2	—	C	
28S/9435715	A33/B16	Screw, 4 BA	2	—	C	
28W/9419465	SP.13/B	Washer	2	—	C	
5X/1004082	—	LINK , terminal connecting, 2-way (Mod. 416)	1	—	C	BA9
	10-20 N 9/673 Mk. 4	CABLE , coded "1.B.VB.AB★-AB.★12.A.3," assembly (Mod. 416)	1	—	ECC	BA9
	10-20 N 15519A	CABLE , coded "2.ACF-VB.C," assembly (Mod. 978)	1	—	ECC	BA9
	10-20 N 15329A	CABLE , unitor, coded "VB," assembly (Mod. 818)	1	—	ECC	BA9

**ARMAMENT
INSTALLATION OF ROCKET PROJECTILES, GUIDED WEAPONS
(FIRESTREAK AND BULL PUP) AND HEAVY STORES, CODED "AB"**

Ref. No.	Part No.	Description	No. off	Material Specification	Class of Store or L.M.	Place No.
		INSTALLATION AT FRONT SPAR (RIBS Nos. 3B-4) STUB WING, STARBOARD, CODED "VG" (Drg. Nos. 10-20 N 11213 and 10-20 N 11717)	1	—	—	
	10-20 N 9/673 Mk. 5	CABLE , coded "1.B.VC.AB★-AB.★12.A.4," assembly (Mod. 416) ...	1	—	ECC	BA9
	10-20 N 15461A	CABLE , coded "5.ACE-ACF.6," assembly (Mod. 978) ...	1	—	ECC	BA9
	10-20 N 15465A	CABLE , coded "2.ACF-ACE.1," assembly (Mod. 978) ...	1	—	ECC	BA9
	10-20 N 15469A	CABLE , coded "4.ACF-ACE.3," assembly (Mod. 978) ...	1	—	ECC	BA9
	10-20 N 15523A	CABLE , coded "4.ACF-VC.C," assembly (Mod. 978) ...	1	—	ECC	BA10
	10-20 N 15527A	CABLE , coded "6.ACF-VM.13," assembly (Mod. 978) ...	1	—	ECC	BA10
28E/9436947	AS.3180/4B	CLIP , "P," securing electro magnetic valve cables to top stringer Attachments for AS.3180/4B. Clip :—	1	—	C	
28M/10287	AGS.2001/B/1	Nut, 4 BA	1	—	C	
28S/9992522	A32/B16	Screw, 4 BA	1	—	C	
28W/9419465	SP.13/B	Washer	1	—	C	
		TERMINAL , earth, strn. 12, coded "A," group	1	—	—	
26DV/7529	DHS.438/C	TAG , corrosion	1	L.16	C	BA13
26DV/4969	DHS.437/C	TERMINAL , earth, assembly (For breakdown see DHS. Data Sheet) Attachments for DHS.437/C. Terminal :—	1	—	C	BA9 BA16
28D/9138768	A25/½C	Bolt , 2 BA	2	—	C	
		VALVE (TAP) , twin, low pressure, electromatic, coded "VG" (See sub-section "QY")	—	—	—	
		INSTALLATION AT STUB WING, OUTBOARD (RIB No. 4) G.W. PYLON CASTING, STARBOARD, CODED "VC" (Drg. Nos. 10-20 N 11213 and 10-20 N 23641 Mod. 1232)	1	—	—	
	DHS.456/20L	BLOCK , terminal, coded "A," group	1	—	—	
		BLOCK , terminal, 20-way, L.H., assembly (For breakdown see DHS. Data Sheet)	1	—	—	BA10
16255	10-20 N 8799	NUT , 4 BA, slotted	2	S.93	C	BA14
28S/1011499	A33/B32	SCREW , 4 BA	2	—	C	
18806	10-20 N 23023	TERMINAL , dummy (Fit at terminal No. 3) (Mod. 1232) Attachments for 10-20 N 23023. Terminal :—	1	LFS.21, 23 or 26	C	BA13
28S/1200049	A31/A12	Screw, 6 BA	1	—	C	
28W/9416641	SP.47/A	Washer, spring	1	—	C	
28W/9419458	AGS.2035/B	WASHER , shakeproof	2	—	C	
	DHS.456/5	BLOCK , terminal, coded "B," group	1	—	—	
		BLOCK , terminal, 5-way, assembly (For breakdown see DHS. Data Sheet) Attachments for DHS.456/5. Block :—	1	—	—	BA10
28S/1011488	A32/B28	Screw, 4 BA	2	—	C	

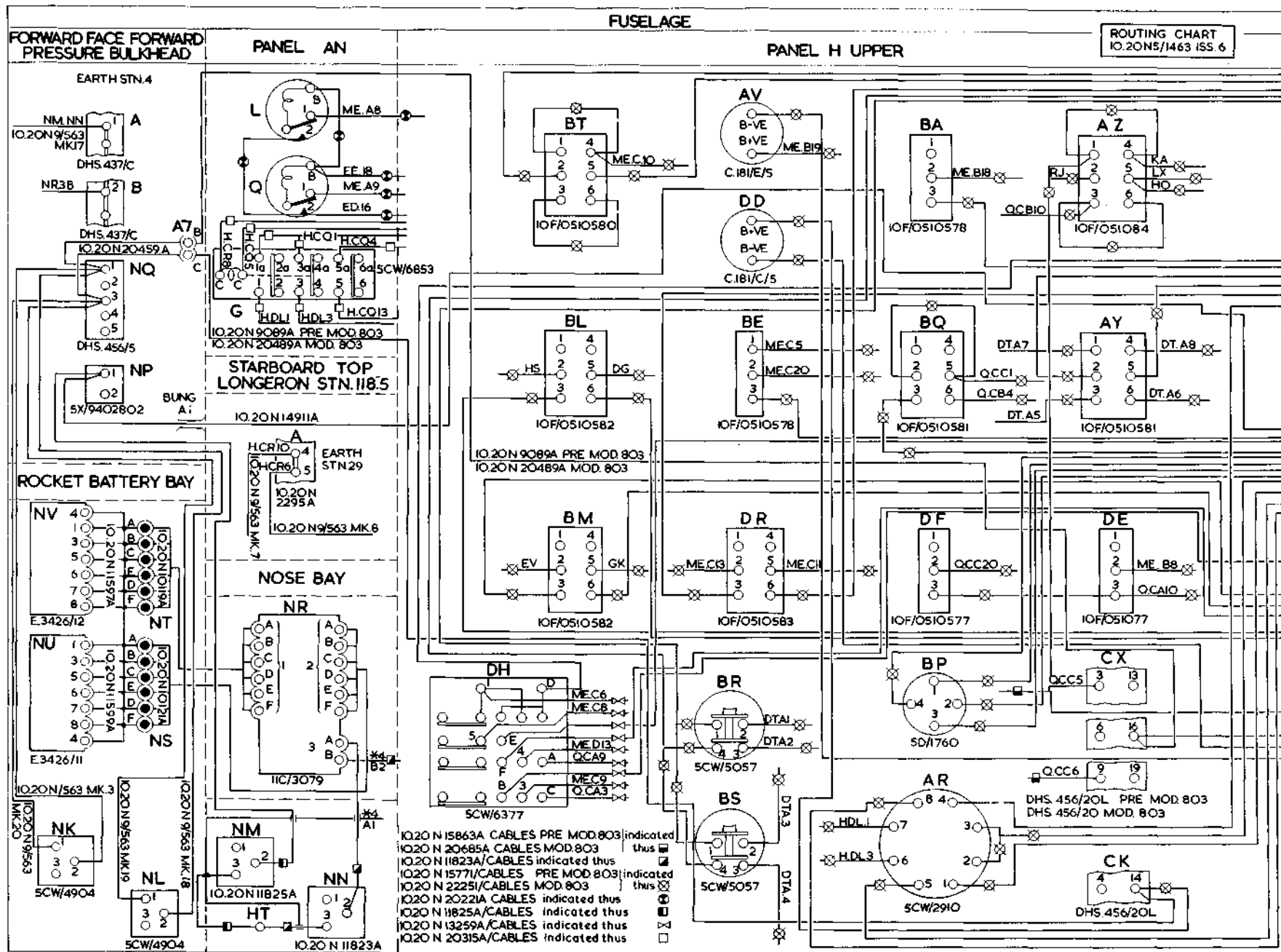
ARMAMENT
INSTALLATION OF ROCKET PROJECTILES, GUIDED WEAPONS
(FIRESTREAK AND BULL PUP) AND HEAVY STORES, CODED "AB"

Ref. No.	Part No.	Description	No. off	Material Specification	Class of Score or L.M	Plate No.
	10-20 N 12164A	BRACKET , terminal block mounting, R.H., coded "B," assembly	1	—	—	BA16
28M/9434252	10-20 N 12166ND	BRACKET , bare, 18 SWG	1	L.72	LM	BA16
	AGS.2018/B/1	NUT , anchor, 4 BA	2	—	C	
	10-20 N 12168ND	STIFFENER , 20 SWG	1	L.72	LM	BA16
		Attachments for 10-20 N 12164A, Bracket :—				
28M/10327	AGS.2002/B/1	Nut, 4 BA	2	—	C	
28S/9435715	A33/B16	Screw, 4 BA	2	—	C	
28VV/9419465	SP.13/B	Washer	2	—	C	
5X/1004082	—	LINK , terminal connecting, 2-way (5940-99-100-4082)	1	—	C	BA10
	10-20 N 15331A	CABLE , unitor, coded "VC," assembly (Mod. 818)	1	—	ECC	BA10
	—	INSTALLATION AT PLUG BRACKET (RIBS Nos. 3A-4) L.E., STUB WING, STARBOARD (Drg. No. 10-20 N 11513)	1	—	—	
	—	BRACKET , mounting, c/w plug/sockets, coded "VM," group	1	—	—	
	—	BRACKET , mounting, plug/sockets (See page LA147)	—	—	—	
5X/6007	—	PLUG , bulkhead, coded "VM12"	1	—	P	
10H/19476	—	PLUG/SOCKET , bulkhead, Type 42, coded "VM12"	1	—	P	
	10-20 N 9287A	CABLE , coded "VM10-XJ1," assembly	1	—	ECC	BA10
	10-20 N 14107A	CABLE , coded "XJ3-VM13," assembly (Mod. 775)	1	—	ECC	BA10
20691	10-20 N 24781A	CABLE , coded "XJ4-VM12," assembly (Mod. 1461)	1	—	C	BA10
		Spares for :—				
5935-99-946-3470	PLESSEY 2CZ.139487	INSERT , socket	2	—	C	
5935-99-913-8767	PLESSEY 2CZ.138845	INSERT , socket	2	—	C	
	—	INSTALLATION IN UPPER ACCESSORY BAY (Drg. No. 10-20 N 12509A)	1	—	—	
	—	BLOCK , fuse, coded "LR," group	1	—	—	
	—	BLOCK , fuse, 12-way (See sub-section EBV)	—	—	—	
10H/23862	—	FUSE , 10 amp.	1	—	C	BA10
10H/23860	—	FUSE , 20 amp.	2	—	C	BA10
	—	INSTALLATION AT EXTENSION WING (RIBS Nos. 4A-4B), STARBOARD (Drg. Nos. 10-20 N 11511 and 10-20 WE 3351)	1	—	—	
20692	10-20 N 24845A	BRACKET , mounting, c/w socket/plugs, coded "XJ," Starboard, assembly (Mod. 1461)	1	—	C	BA13
20693	10-20 N 24843A	BRACKET , mounting, socket/plugs, Starboard, assembly	1	—	C	BA13
5935-99-948-8315	UK-AN(ET)8102-16-9S	PLUG , bulkhead, coded "XJ4"	1	—	P	
5X/6132	PLESSEY CZ.28206	PLUG , bulkhead, coded "XJ6"	1	—	P	
10H/	PLESSEY CZ.61886/1	SOCKET/PLUG , bulkhead, coded "XJ1"	1	—	P	
10H/	PLESSEY CZ.61887	SOCKET/PLUG , bulkhead, coded "XJ5"	1	—	P	
	PLESSEY 2Z.139597	WASHER , packing, for socket, coded "XJ4"	1	—	—	
		Attachments for 10-20 N 24845A, Bracket :—				
28S/9435715	A33/B16	Screw, 4 BA	4	—	C	

**ARMAMENT
INSTALLATION OF ROCKET PROJECTILES, GUIDED WEAPONS
(FIRESTREAK AND BULL PUP) AND HEAVY STORES, CODED "AB"**

Ref. No.	Part No.	Description	No. off	Material Specification	Class of Store or L.M	Place No.
		TERMINALS , earth, sctn. 14, coded "A" and "B," group	1	—	—	
6608	10-20 N 2301	TAG , corrosion	1	L.16	LM	BA13
	10-20 N 2295A	TERMINAL , earth, 45°, coded "A," assembly	1	—	C	BA10 EBY8
	10-20 N 2297A	BRACKET , assembly	1	—	LM	EBY8
	DHS.436ND	PLATE , doubling, 14 SWG	1	BS.265	LM	EBY8
	10-20 N 2299ND	PLATE , terminal, 16 SWG	1	BS.265	LM	EBY8
26DV/11786	AS.2751	CIRCLIP	4	—	C	EBY8
12687	DHS.379/1	LABEL , half	1	—	C	EBY8
12688	DHS.379/2	LABEL , half	1	—	C	EBY8
26DV/11785	AS.2749	SOCKET , half	8	—	C	EBY8
5X/9028	AS.2747	SOCKET , terminal, assembly	4	—	C	EBY8
26DV/11787	AS.2752	SPACER	4	—	C	EBY8
26DV/4969	DHS.437/C	TERMINAL , earth, coded "B," assembly ... (For breakdown see DHS. Data Sheet) Attachments for 10-20 N 2295A and DHS.437/C, Terminals:—	1	—	C	BA10 BA16
28D/1212318	A60/5E	Bolt, 1/4" BSF	2	—	C	
28M/1007403	A27/ET	Nut, 1/4" BSF	2	—	C	
28W/9419405	SP.15/E	Washer	2	—	C	
32B/—	—	TAPE , identification, numbers and letters, use from Ref. Nos. 32B/1087 to 32B/1120 inclusive, as required	QR	—	C	

BA.1
ARMAMENT
ROCKET PROJECTILES, GUIDED WEAPONS & HEAVY
STORES, CODED AB
RESTRICTED



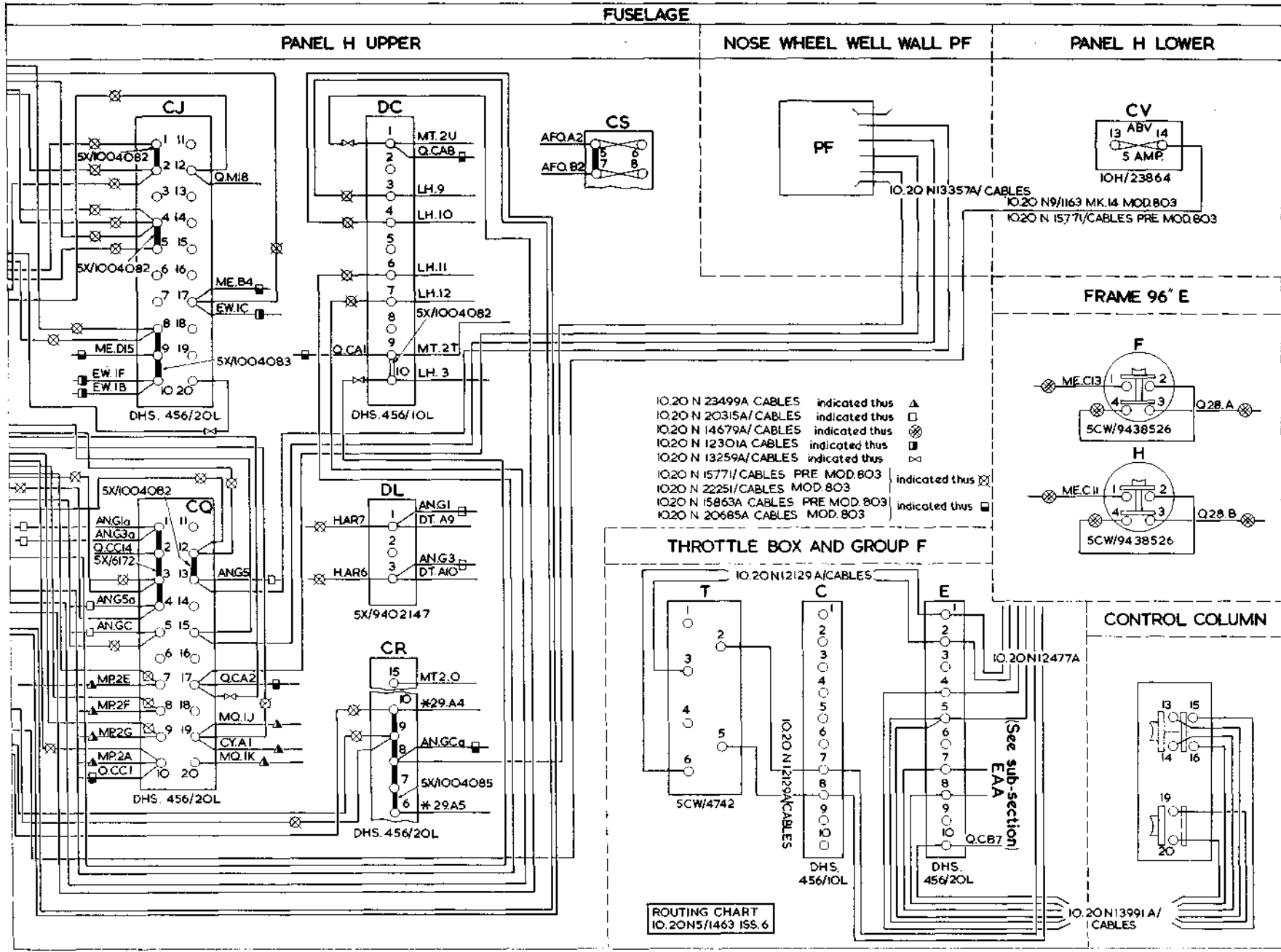
ROUTING CHART
IO.20N5/1463 ISS. 6

See View Mk.1

RESTRICTED

Plate BA.1

BA.1
[ILL.54]



- 10.20 N 23499A CABLES indicated thus Δ
- 10.20 N 20315A/CABLES indicated thus \square
- 10.20 N 14679A/CABLES indicated thus \circ
- 10.20 N 12301A CABLES indicated thus \square
- 10.20 N 13259A/CABLES indicated thus \times
- 10.20 N 15771/CABLES PRE MOD.803 indicated thus \otimes
- 10.20 N 22251/CABLES MOD.803 indicated thus \otimes
- 10.20 N 15863A CABLES PRE MOD.803 indicated thus \square
- 10.20 N 20685A CABLES MOD.803 indicated thus \square

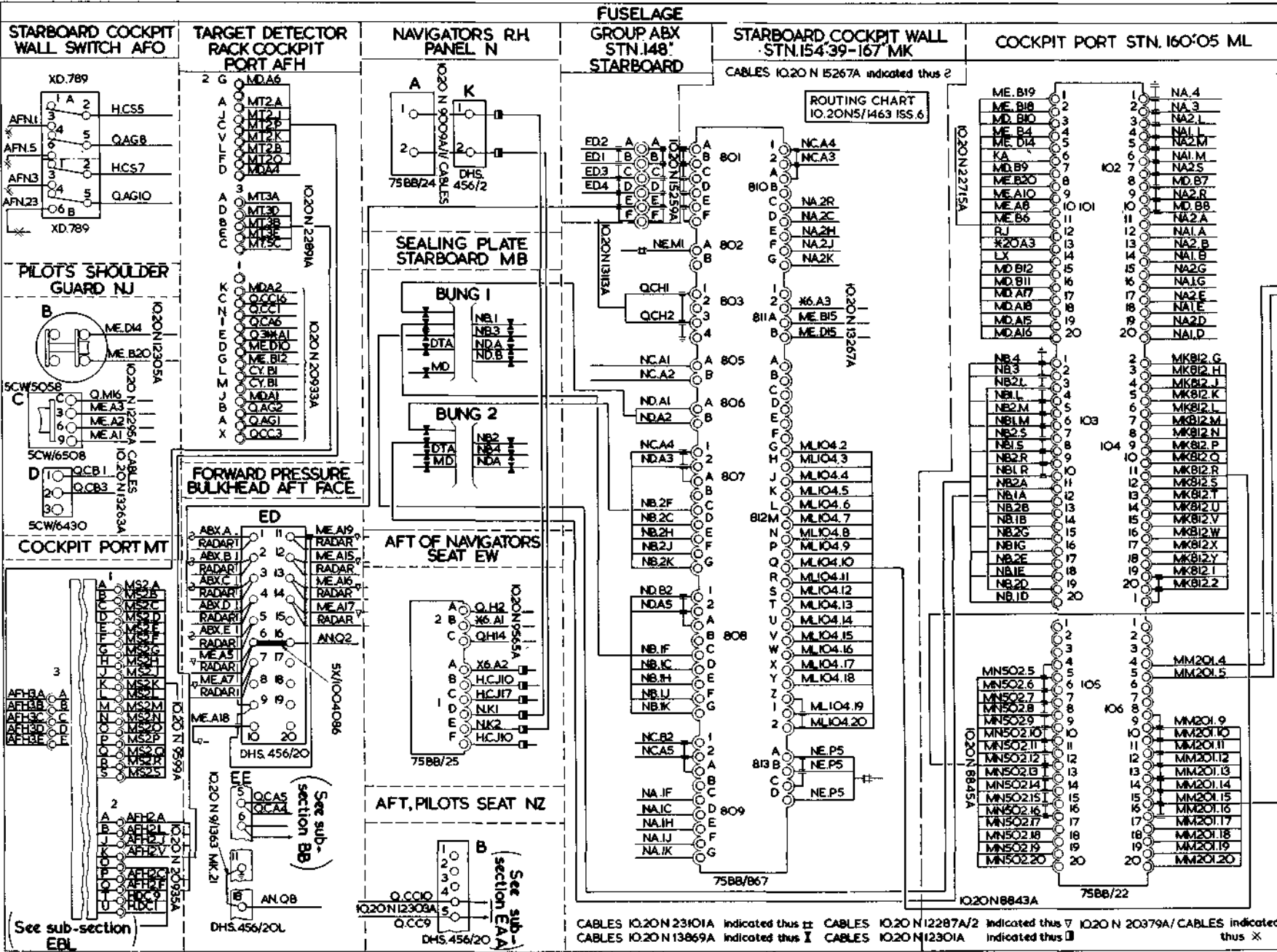
ROUTING CHART IO.20N5/1463 ISS.6

BA.2

ARMAMENT
ROCKET PROJECTILES, GUIDED WEAPONS & HEAVY
STORES, CODED AB

BA.2
[ALLS]

RESTRICTED



CABLES IO.20N 23101A indicated thus \equiv CABLES IO.20 N12287A/2 indicated thus ∇ IO.20 N 20379A/ CABLES indicated thus \times
 CABLES IO.20N13869A indicated thus \equiv CABLES IO.20 N12301A indicated thus \equiv

BA.3

ARMAMENT
ROCKET PROJECTILES, GUIDED WEAPONS & HEAVY STORES, CODED AB

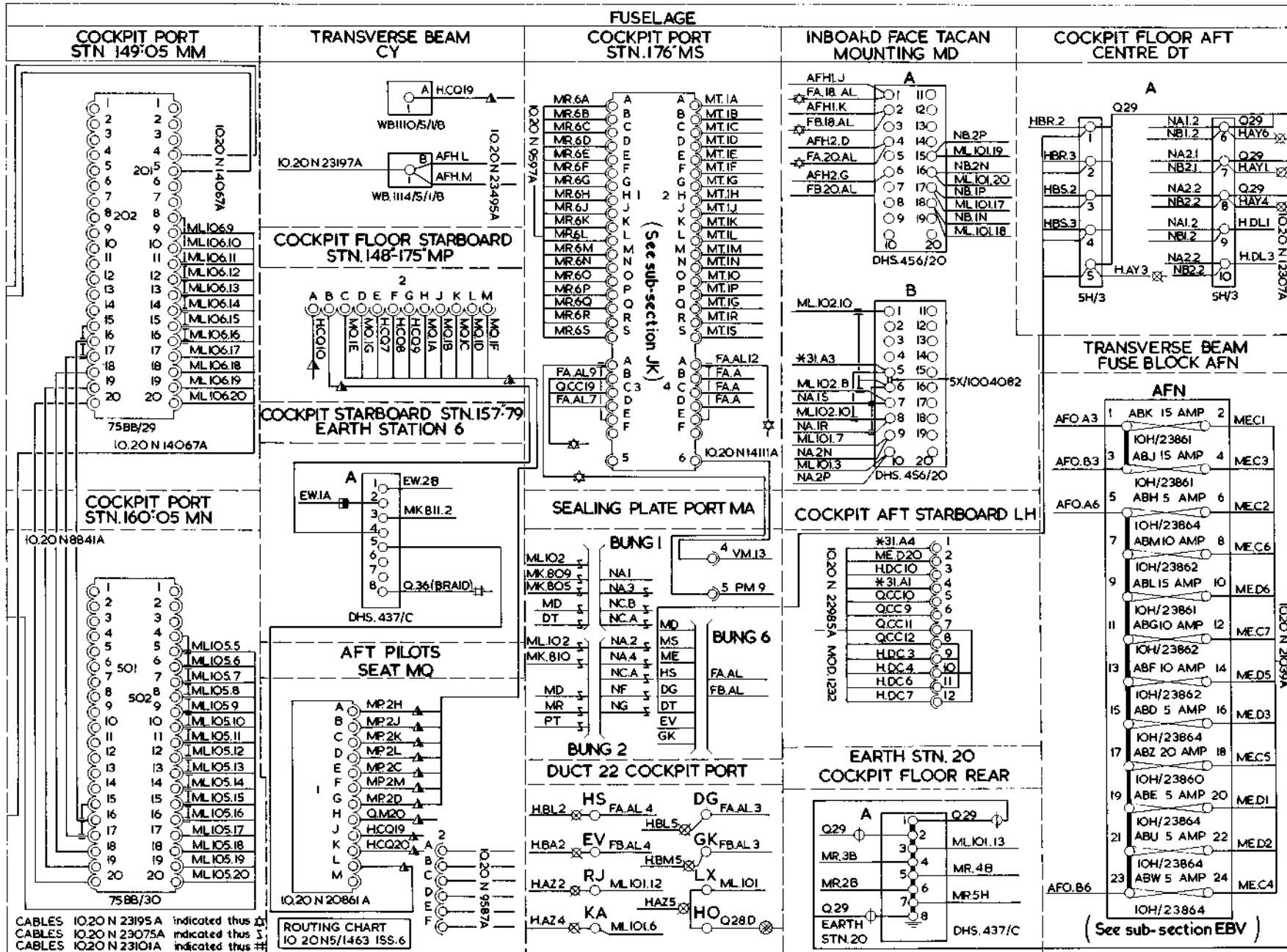
BA.3

RESTRICTED

(See sub-section) EBL

(See sub-section) BB

(See sub-section) EA



BA.4

ARMAMENT
ROCKET PROJECTILES, GUIDED WEAPONS & HEAVY
STORES, CODED AB

BA.4
[AL-54]

RESTRICTED

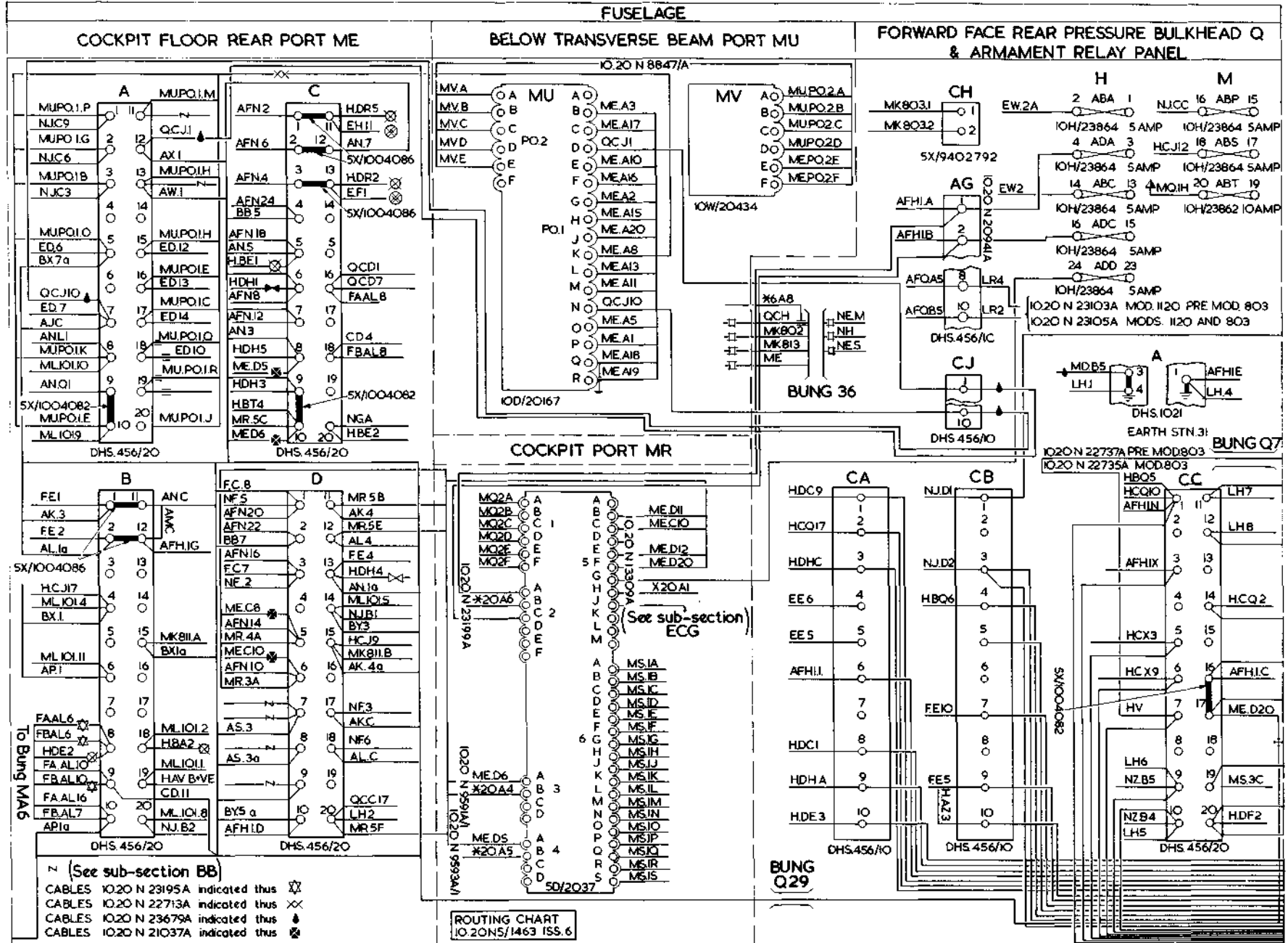
BAS

ROCKET PROJECTILES, GUIDED WEAPONS & HEAVY STORES, CODED AB

ARMAMENT

BAS

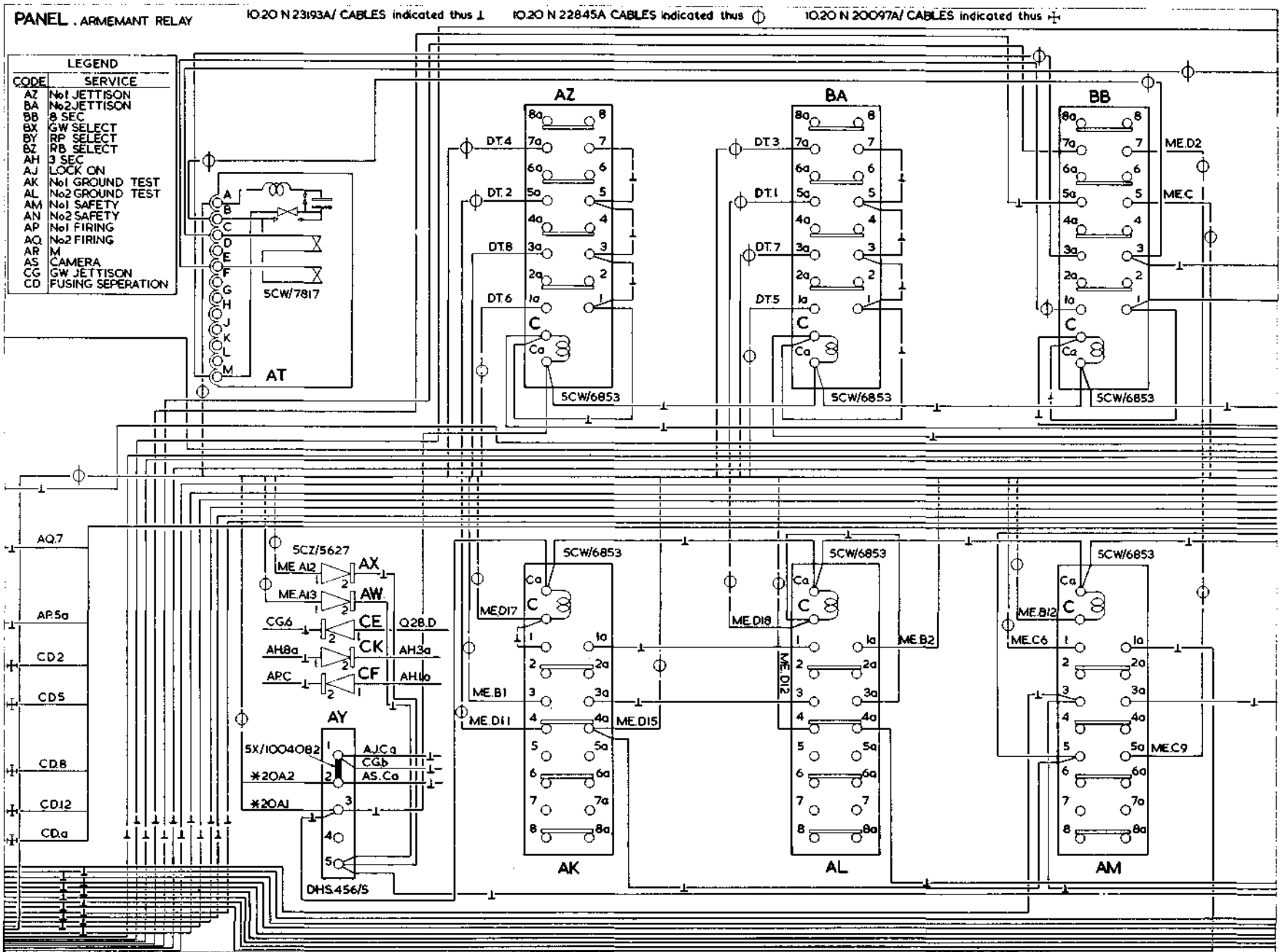
RESTRICTED



See View No. 1

RESTRICTED

Plate BAS



ROCKET PROJECTILES GUIDED WEAPONS & HEAVY STORES CODED AB
ARMAMENT
BA.6

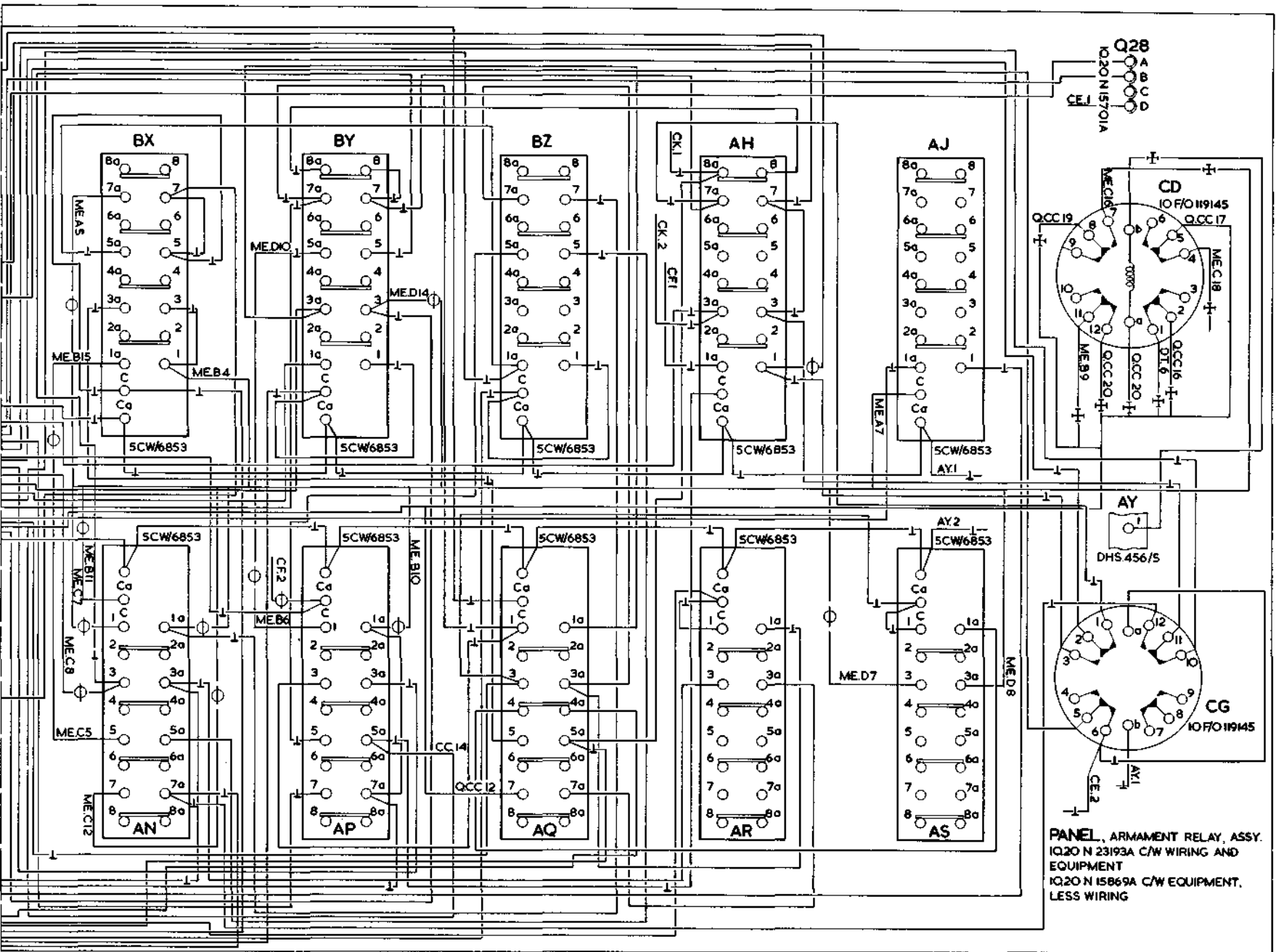
RESTRICTED

See View Mk.1

RESTRICTED

Plate BA.6

BA.6
 [A.59]



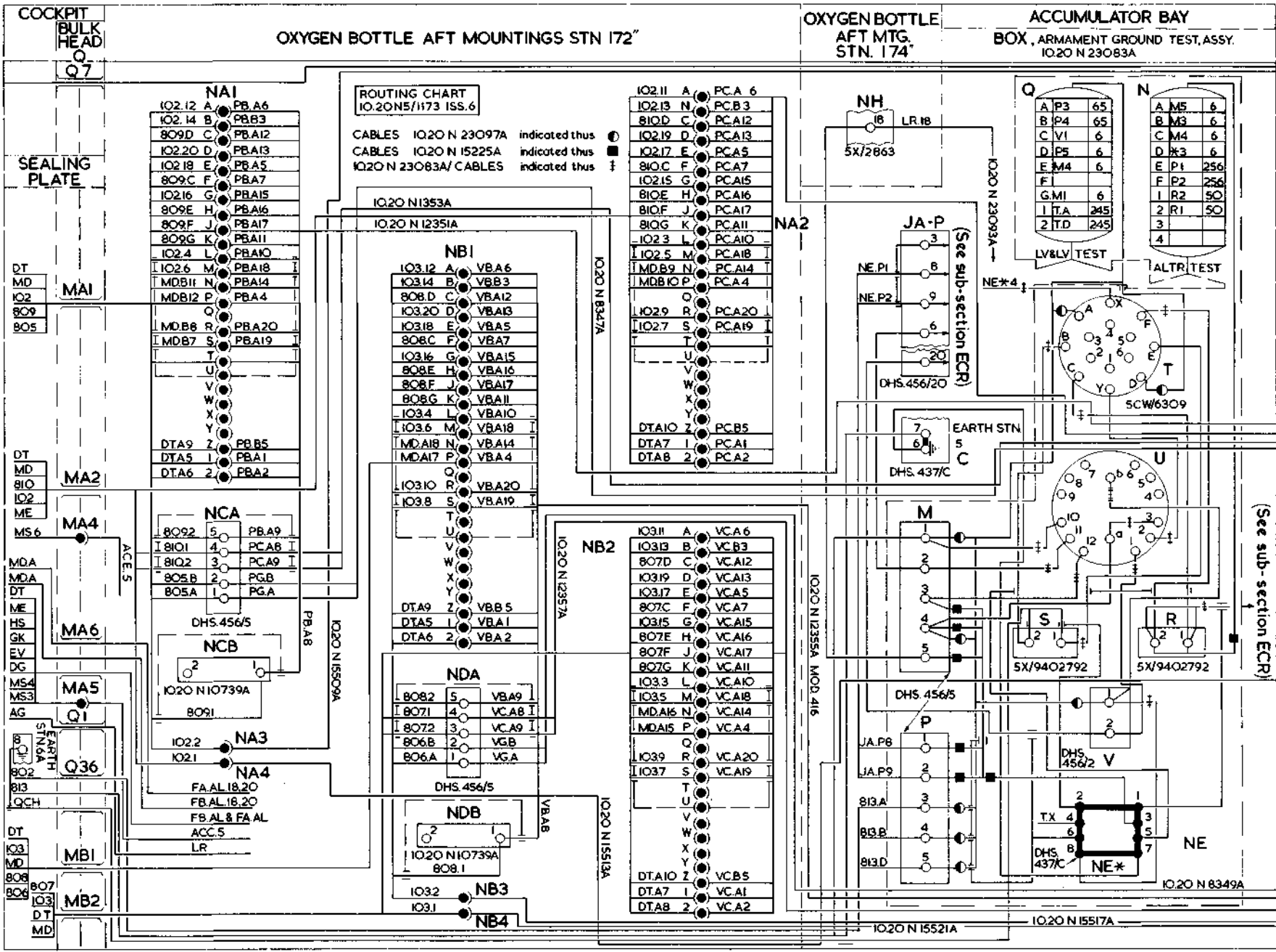
PANEL, ARMAMENT RELAY, ASSY.
 IQ20 N 23193A C/W WIRING AND
 EQUIPMENT
 IQ20 N 15869A C/W EQUIPMENT,
 LESS WIRING

ARMAMENT
ROCKET PROJECTILES, GUIDED WEAPONS & HEAVY
STORES, CODED AB

RESTRICTED

BA.7

BA.7
[L.54]



BA.8

ARMAMENT
ROCKET PROJECTILES, GUIDED WEAPONS & HEAVY
STORES, CODED AB

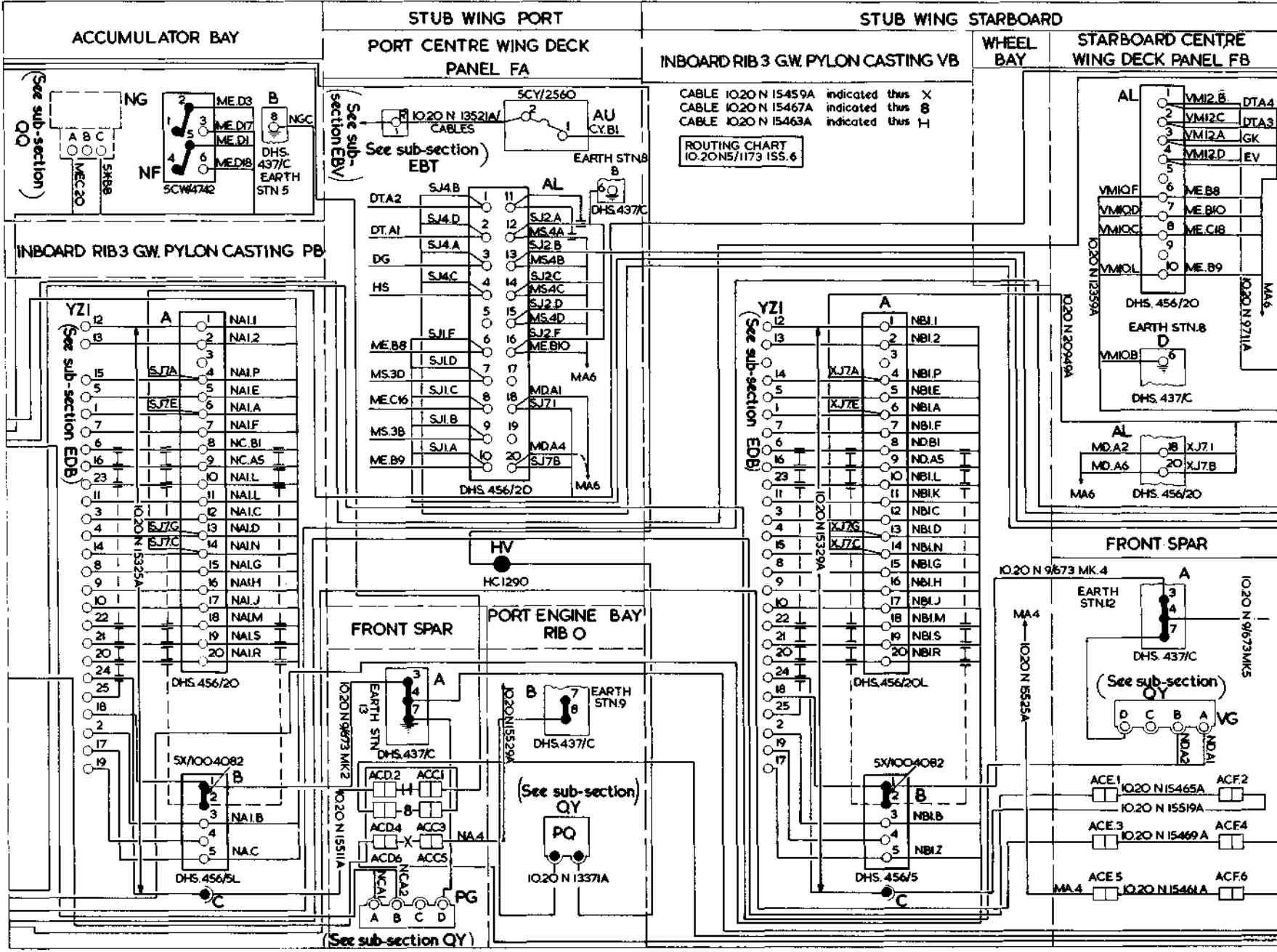
BA.8
[AL.8]

RESTRICTED

See When Mk.1

RESTRICTED

Page BA.9

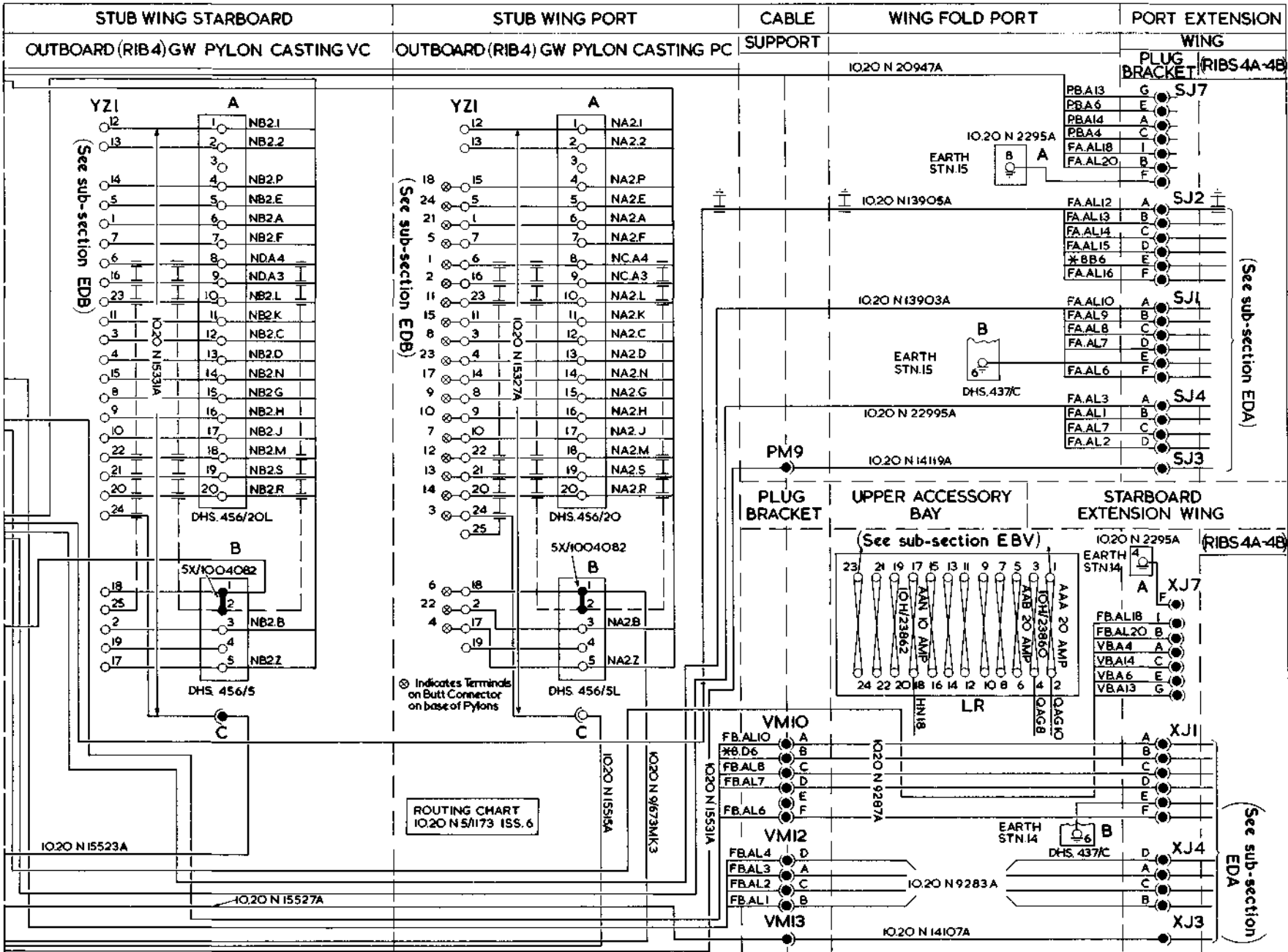


BA.9

ARMAMENT
ROCKET PROJECTILES, GUIDED WEAPONS & HEAVY STORES, CODED AB

BA.9
PL.54

RESTRICTED



BA.10

**ARMAMENT
ROCKET PROJECTILES, GUIDED WEAPONS & HEAVY
STORES, CODED AB**

BA.10
[A.1.54]

RESTRICTED

(See sub-section EDA)

(See sub-section EDA)

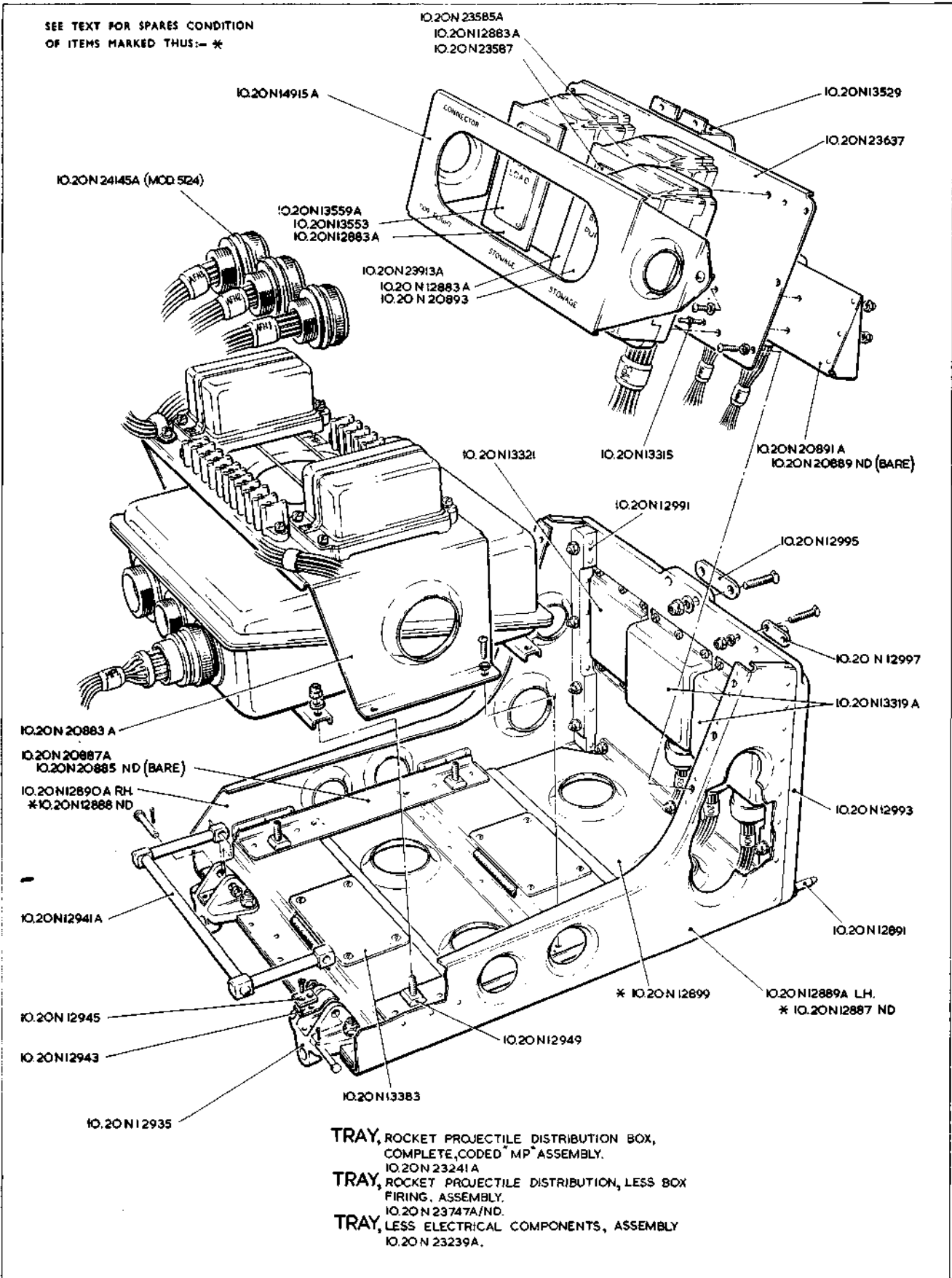
(See sub-section EDB)

(See sub-section EDB)

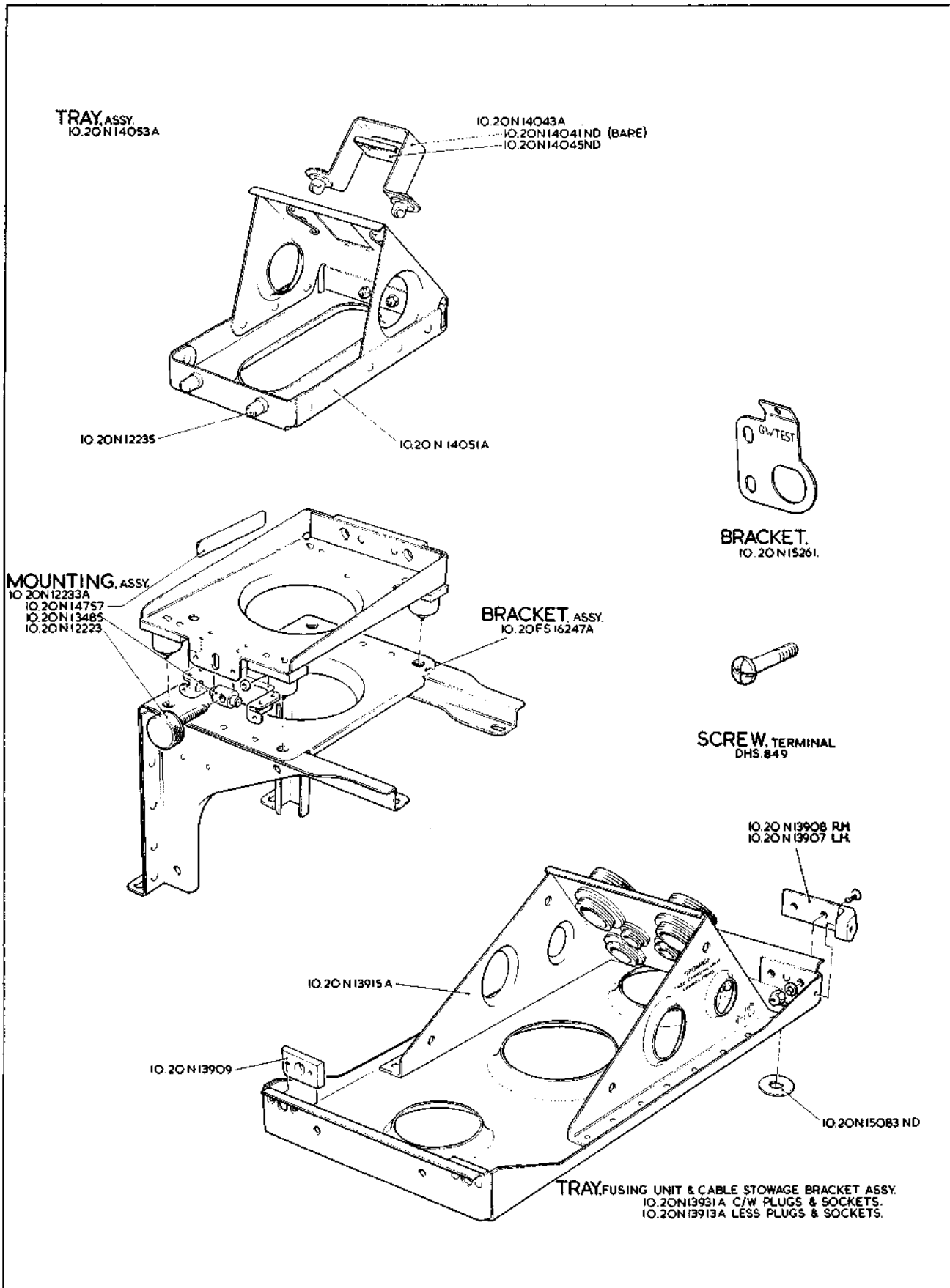
⊗ Indicates Terminals on Butt Connector on base of Pylons

ROUTING CHART
IO20 N5/173 ISS. 6

SEE TEXT FOR SPARES CONDITION
OF ITEMS MARKED THUS: * *



- TRAY, ROCKET PROJECTILE DISTRIBUTION BOX, COMPLETE, CODED MP ASSEMBLY. IO.2ON 23241 A
- TRAY, ROCKET PROJECTILE DISTRIBUTION, LESS BOX FIRING. ASSEMBLY. IO.2ON 23747A/ND.
- TRAY, LESS ELECTRICAL COMPONENTS, ASSEMBLY IO.2ON 23239A.

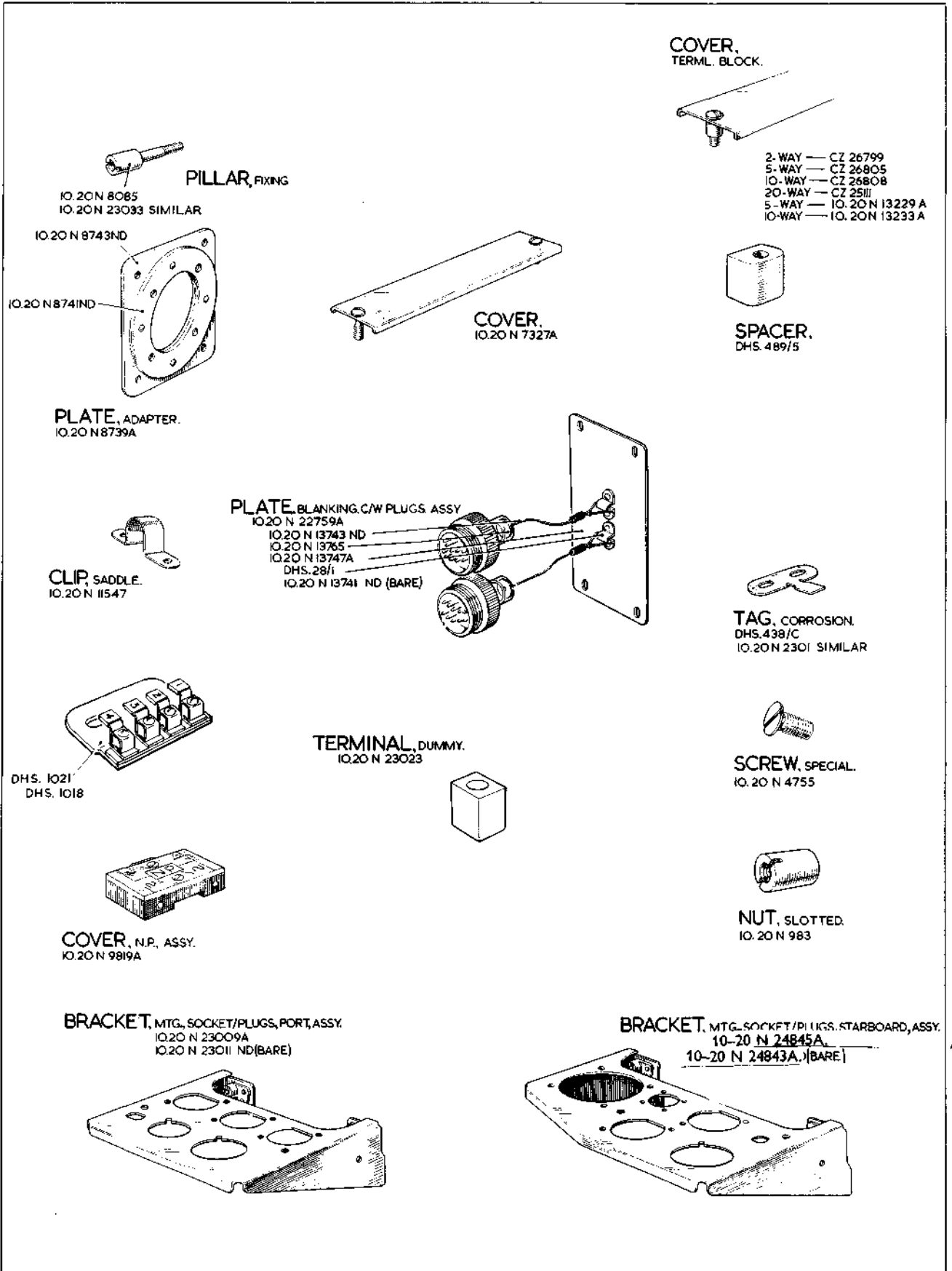


BA.12

ARMAMENT
ROCKET PROJECTILES, GUIDED WEAPONS & HEAVY
STORES, CODED AB

BA.12

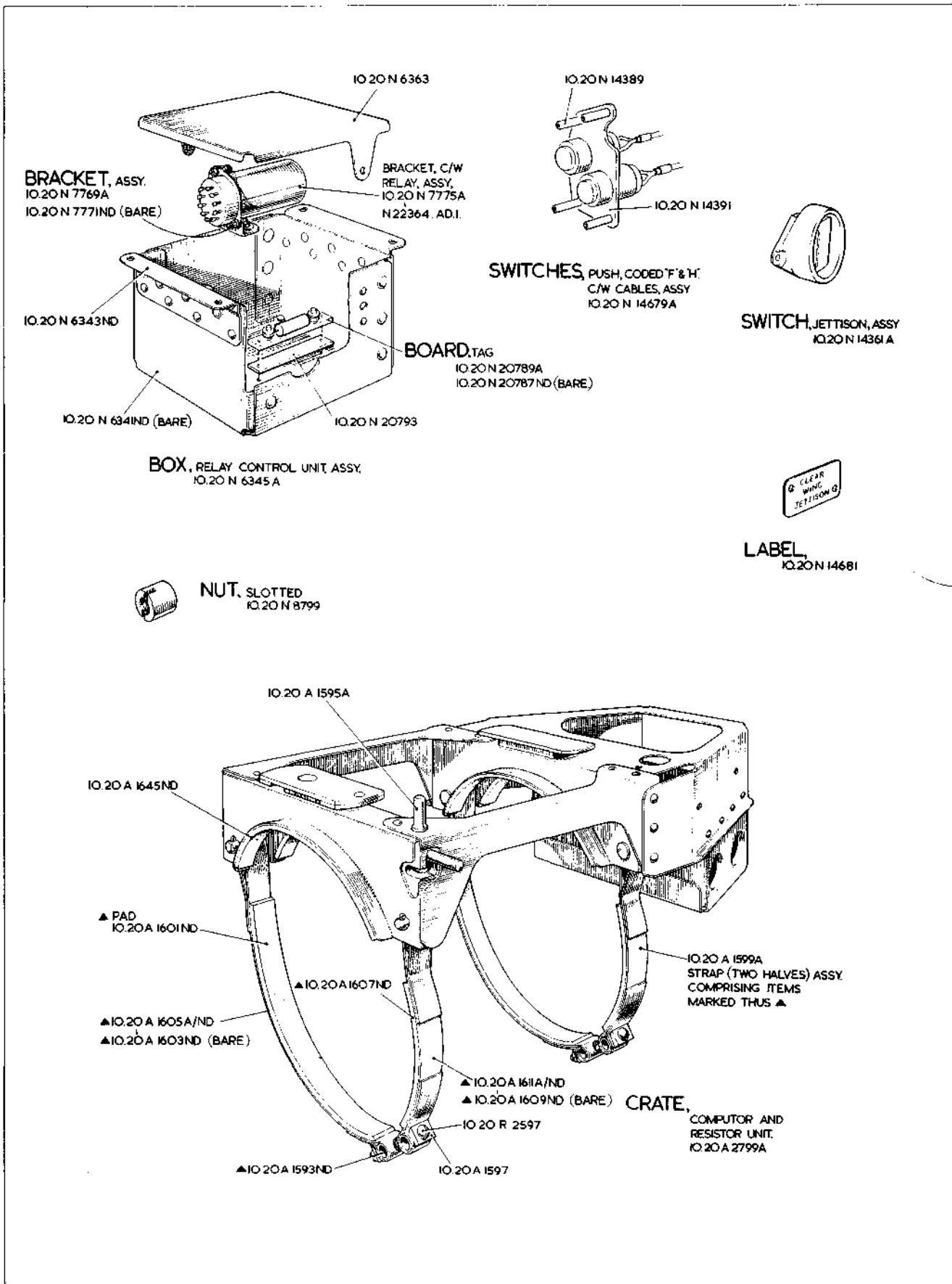
[AL.54]



BA.13

ARMAMENT
ROCKET PROJECTILES, GUIDED WEAPONS & HEAVY STORES, CODED AB

BA.13
(AL 54)



BA.14

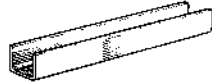
ARMAMENT
ROCKET PROJECTILES, GUIDED WEAPONS & HEAVY STORES, CODED AB

BA.14

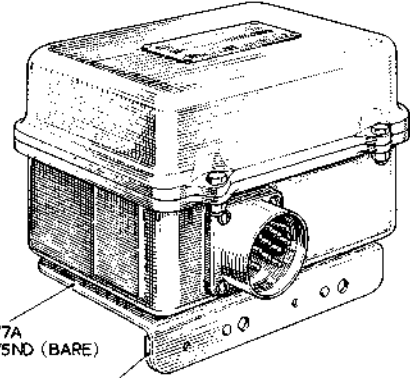
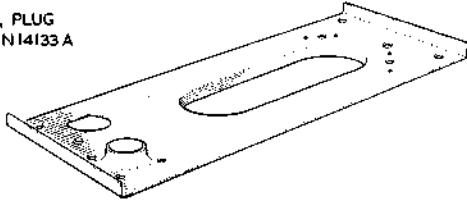
[AL 61]

SEE TEXT FOR SPARES CONDITION
OF ITEMS MARKED THUS: *✕

TRAY, RECTIFIER MTG.
10.20 N 8213



PLATE, PLUG
10.20 N 14133 A

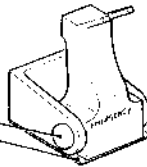


10.20 N 10277A
10.20 N 10275ND (BARE)

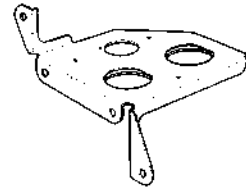
10.20 N 10273ND

SWITCH, TIME DELAY
AND BRACKET, ASSY.
10.20 N 14183A

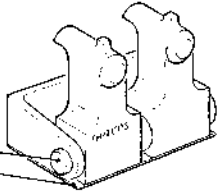
GUARD, SWITCH, ASSY.
10.20 N 14365A
10.20 N 10153
10.20 N 14363



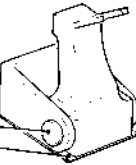
BRACKET, PLUG COUPLER, ASSY.
*10.22 N 1435A



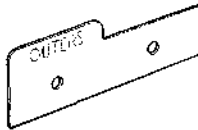
GUARD, SWITCH, ASSY.
10.20 N 15793A
10.20 N 10155
10.20 N 10133



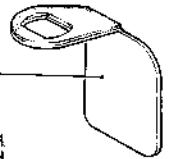
GUARD, SWITCH, ASSY.
10.20 N 22333A
10.20 N 10153
10.20 N 14363



LABEL
10.20 N 15551

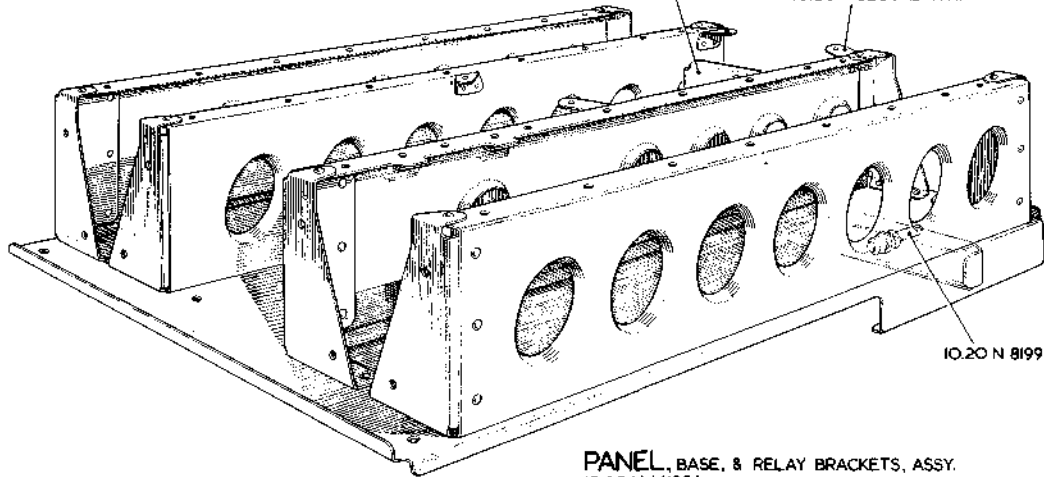


SCREEN
10.20 N 24595 ND



10.20 N 13297

10.20 N 8205ND L.H.
10.20 N 8206ND R.H.



10.20 N 8199

PANEL, BASE, & RELAY BRACKETS, ASSY.
10.20 N 14135A

BA.15

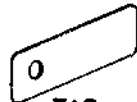
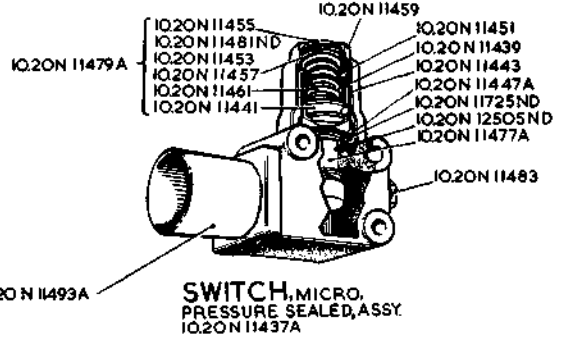
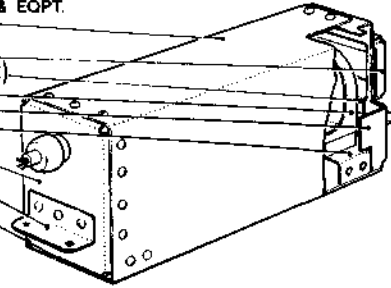
ARMAMENT
ROCKET PROJECTILES, GUIDED WEAPONS & HEAVY
STORES, CODED AB.

BA.15

[A.L.66]

BOX, TIME DELAY UNIT, CODED 'PF', ASSY.

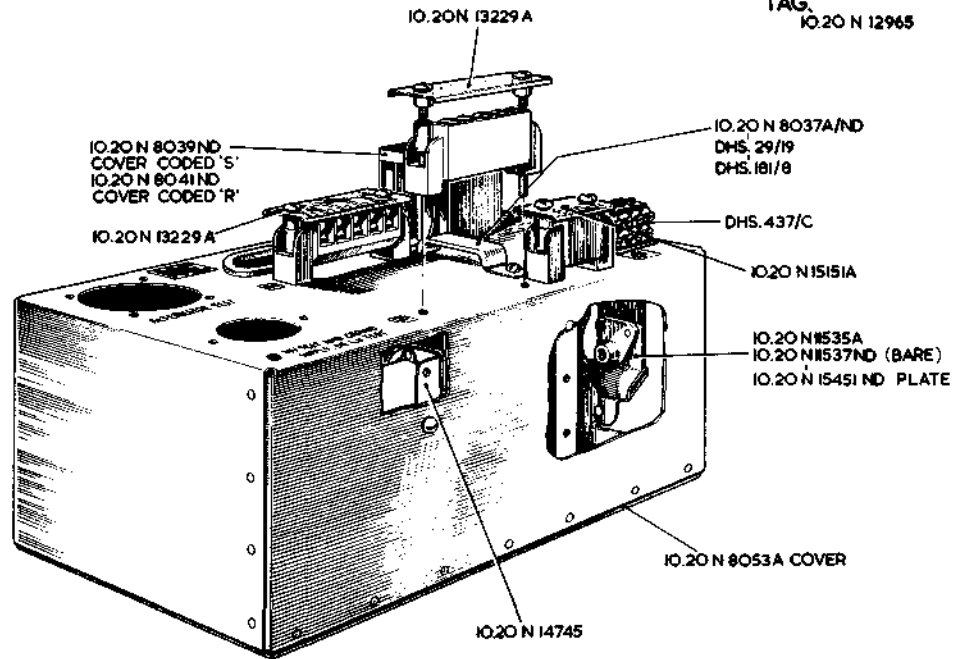
- IO.20 N 13357A C/W WIRING & EQPT.
- IO.20 N 13133A LESS WIRING & EQPT.
- IO.20 N 13141 ND (BARE)
- IO.20 N 13209
- IO.20 N 13211 ND
- IO.20 N 13223 ND (BARE)
- IO.20 N 13171
- IO.20 N 13139 ND
- IO.20 N 13173
- IO.20 N 13137 ND
- IO.20 N 13135 ND
- IO.20 N 13227



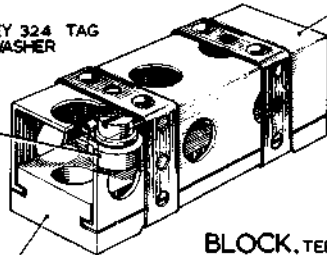
TAG,
IO.20 N 12965

BOX, ARMAMENT, GROUND TEST, CODED 'NE'

- IO.20 N 23083A C/W WIRING
- IO.20 N 10337A LESS WIRING
- IO.20 N 10335A (BARE)



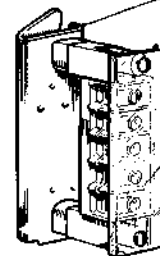
- IO.20 N 10745
ROSS COURTNEY 324 TAG
D. POWIS LTD. WASHER



- IO.20 N 10743A
- IO.20 N 10741 ND (BARE)

BLOCK, TERML., RESISTER,
CODED 'NC B' & 'ND B', ASSY.
IO.20 N 10739A

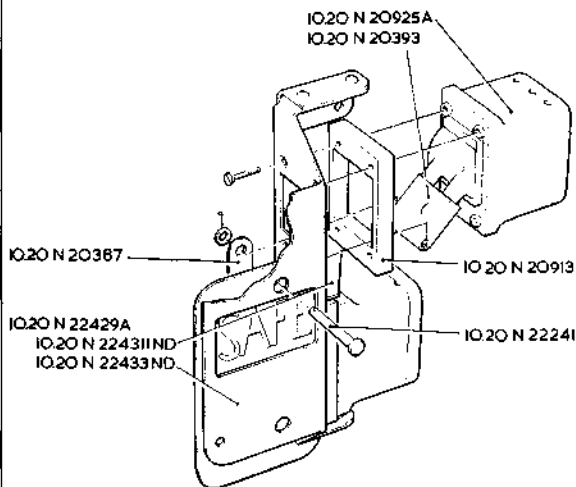
- IO.20 N 10737 ND



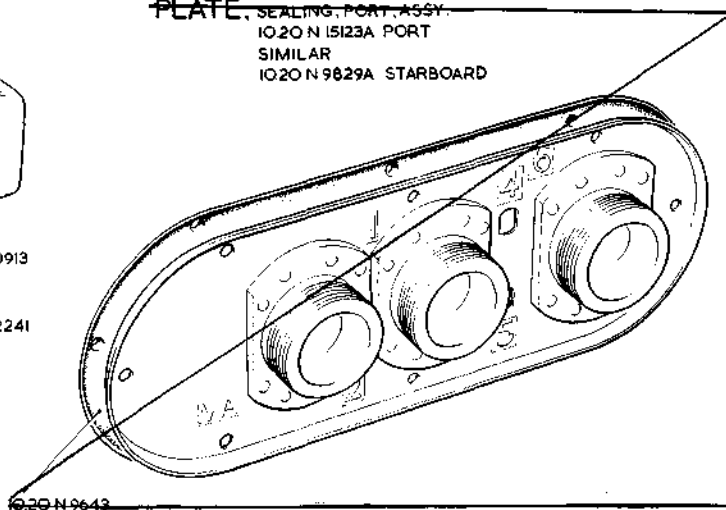
- IO.20 N 12165 ND L.H. BRKT. BARE
- IO.20 N 12166 ND R.H.
- IO.20 N 12167 ND L.H.
- IO.20 N 12168 ND R.H.

BLOCK, TERMINAL, MOUNTING, ASSY.
IO.20 N 12163A L.H.
IO.20 N 12164 A R.H.

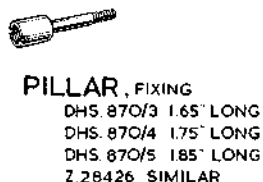
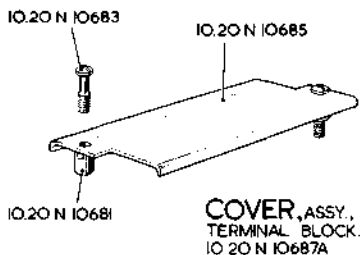
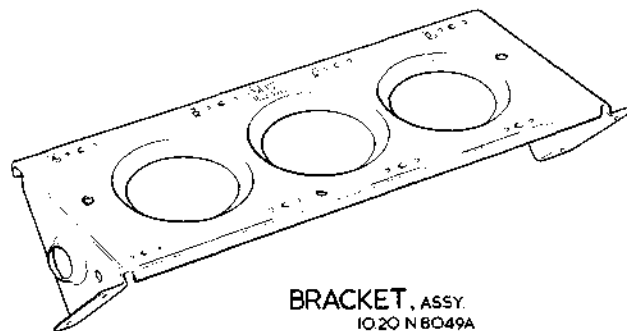
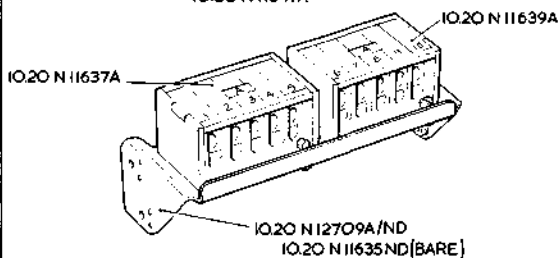
SWITCH, MASTER ARMAMENT, C/W WIRING, CODED 'AFO', ASSEMBLY
IO.20 N 20379A



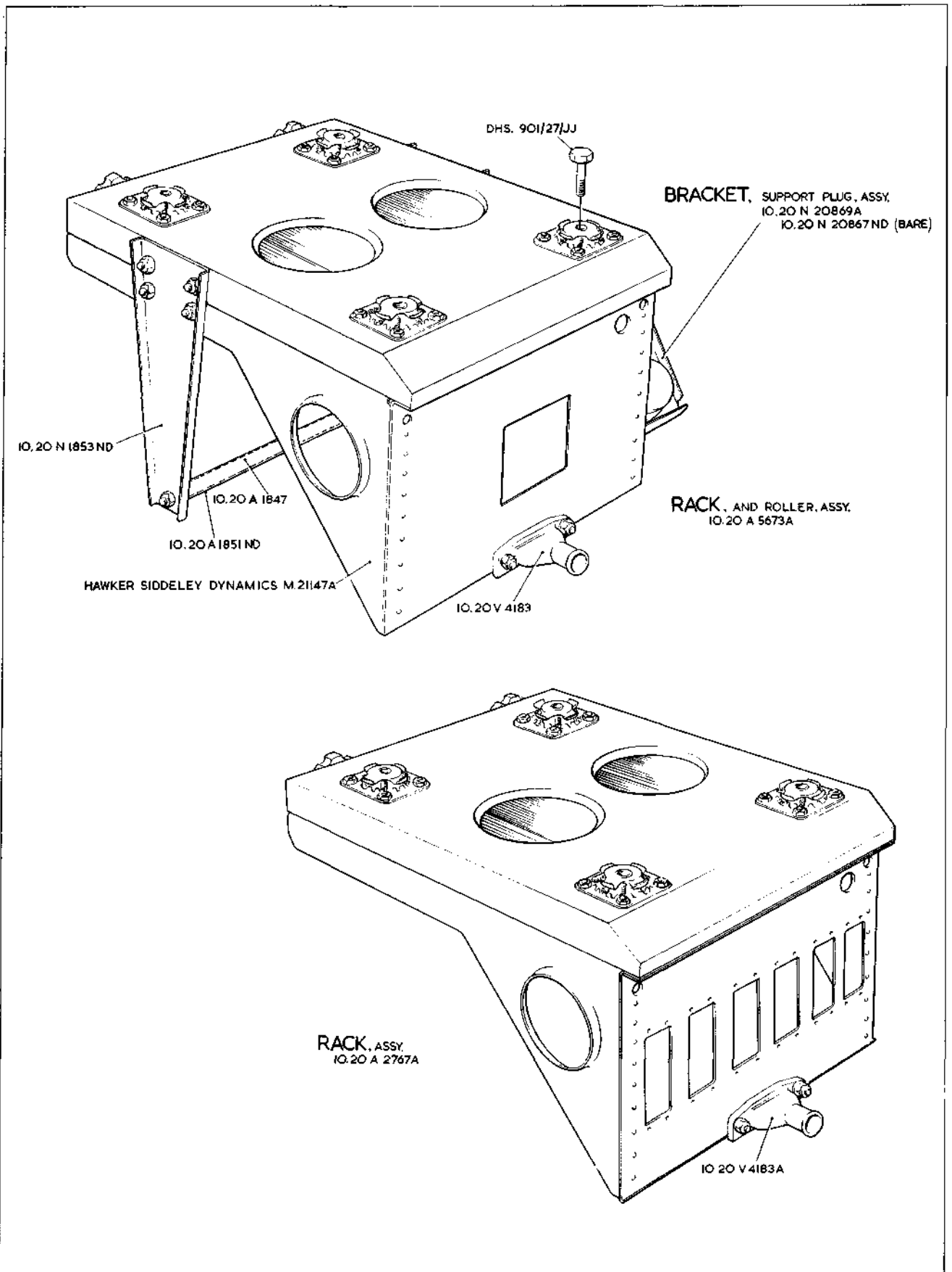
PLATE, SEALING, PORT, ASSY.
IO.20 N 15123A PORT
SIMILAR
IO.20 N 9829A STARBOARD



BRACKET, MOUNTING, C/W
TERMINAL BLOCKS, ASSY.
IO.20 N 11641A



PILLAR, FIXING
DHS. 870/3 1.65" LONG
DHS. 870/4 1.75" LONG
DHS. 870/5 1.85" LONG
Z.28426 SIMILAR



BA.18

ARMAMENT
ROCKET PROJECTILES, GUIDED WEAPONS & HEAVY
STORES, CODED AB

BA.18
[A.L.50]

This file was downloaded
from the RTFM Library.

Link: www.scottbouch.com/rtfm

Please see site for usage terms,
and more aircraft documents.

