

**CONTROLS
FLYING CONTROLS IN FUSELAGE
CONTROL COLUMN**

Ref. No.	Part No.	Description	No. off	Material Specification	Class of Store or L.M	Plate No.
	10-20 CF 10065A	COLUMN, CONTROL , assembly (Mod. 643) (For use on Mod. 416 A/C) Spares for :—	1	—	—	CA1
21073	10-20 CF 10319A/ND	COLUMN , control, less handle and cables, assembly (Mod. 866) Spares for :—	1	—	P	CA1
15427	10-20 CF 10073A	ARM , pivot assembly... .. Spares for :—	1	—	C	CA1
2A/9500415	SKEFKO CBS.4	BEARING , ball (3110-99-950-0415)	2	—	C	
	10-20 CF 4761	BUSH	2	DTD.197	—	CA2
1003	10-20 CF 3687	PLATE , retaining bearing Attachments for 10-20 CF 3687, Plate :—	1	—	C	CA1
28D/1007468	AS.1242/3B	Bolt, 4 BA	3	—	C	
28M/9403519	A27/BP	Nut, 4 BA Attachments for 10-20 CF 10073A, Arm :—	3	—	C	
1005	10-20 CF 3685	Bolt, special, $\frac{7}{16}$ " BSF	1	—	C	CA1
28M/9129449	A27/LS	Nut, $\frac{7}{16}$ " BSF	1	—	C	
28P/19234	SP.90/E8	Pin, split (SP.9/E10)	1	—	C	
2A/9500410	—	BEARING , ball, located on universal spider (3110-99-950-0410) Attachments for Ref. No. 2A/9500410, Bearing :—	2	—	C	
28N/2001687	AGS.2030/147	Circlip	1	—	C	
1007	10-20 CF 3689	BOLT , stop, for control travel Attachments for 10-20 CF 3689, Bolt :—	2	—	C	CA1
	10-20 CE 4425	Nut, 2 BA (Make from Ref. No. 28M/1006473, Part No. A27/CT)	1	—	LM	CA1
15422	10-20 CF 10067A	CASTING , lower, assembly (Mod. 643) Spares for :—	1	—	C	CA1
2A/9500466	SKEFKO I.132499	BEARING , ball, for " G " restrictor connecting rod (3110-99-950-0466)	1	—	C	
2A/9501380	SKEFKO 402266	BEARING , ball, for hinge (3110-99-950-1380)	2	—	C	
2A/9500417	SKEFKO CBS.5	BEARING , ball, for shaft (3110-99-950-0417)	1	—	C	
2A/9500423	SKEFKO TTS. 14½	BEARING , ball, for universal fork (3110-99-950-0423)	1	—	C	
15425	10-20 CF 10005	EYE-BOLT , viscous damper link Attachments for 10-20 CF 10005, Eye-bolt :—	1	—	C	CA1
28M/5808571	A27/GS	Nut, $\frac{7}{16}$ " BSF	1	—	C	
28P/9527619	SP.90/C7	Pin, split (SP.9/C8)	1	—	C	
26FN/3263	DHS.69/EE	Shim, laminated	1	—	C	
28W/9419403	SP.13/G	Washer	1	—	C	
15423	10-20 CF 10003	Washer, tapered	1	—	C	CA1
15424	10-20 CF 10004	Washer, tapered	1	—	C	CA1
28Q/17765	AGS.2047/815	Attachments for 10-20 CF 10067A, Casting :— Pin, sealing	6	—	C	
28Q/9435641	AGS.2045/815	Rivet, " Chobert," $\frac{1}{4}$ " dia.	6	—	C	
5361	10-20 CF 1925A	CONTROL , aileron gear change, assembly	1	—	P	CA2
2A/9500466	—	BEARING , ball (3110-99-950-0466)	1	—	C	
	10-20 CF 4765	FORK , fitting	1	DTD.197	—	CA2
5421	10-20 CF 4771	HANDWHEEL Attachments for 10-20 CF 4771, Handwheel :—	1	—	C	CA2
28M/10328	AGS.2002/C/1	Nut, 2 BA	1	—	C	

**CONTROLS
FLYING CONTROLS IN FUSELAGE
CONTROL COLUMN**

Ref. No.	Part No.	Description	No. off	Material Specification	Class of Store or L.M	Place No.
	10-20 CF 4769	SHAFT , 3/8" dia. x 8 T.P.I. Acme form x 2 BA opposite end	1	S.80	—	CA2
9819	10-20 CF 9107	SLIDE	1	—	C	CA2
5362	10-20 CF 4767	SPIGOT , thrust	1	—	C	CA2
		Attachments for 10-20 CF 4767, Spigot:—				
28D/1214808	A30/5C	Bolt, 2 BA	4	—	C	
28M/1006473	A27/CT	Nut, 2 BA	4	—	C	
		Attachments for 10-20 CF 1925A, Control:—				
2A/9500415	—	Bearing, ball (3110-99-950-0415)	1	—	C	
28M/1011467	A27/ES	Nut, 3/8" BSF	1	—	C	
28P/9527619	SP.90/C7	Pin, split (SP.9/C8)	1	—	C	
5359	10-20 CF 1947	Ring, abutment	1	—	C	CA2
5360	10-20 CF 4759	Sleeve, distance	1	—	C	CA2
21074	10-20 CF 10317A	COVER , control, column pivot, assembly (Mod. 1565)	1	—	C	CA1
		Spares for:—				
15426	10-20 CF 10071	COVER	1	—	C	CA1
		Attachments for 10-20 CF 10071, Cover:—				
28D/1007975	AS.1242/1C	Bolt, 2 BA	1	—	C	
28D/9436920	A25/1C	Bolt, 2 BA	2	—	C	
28W/1006940	AGS.2034/C	Washer, shakeproof	2	—	C	
21075	10-20 CF 10315A	GUARD , deflector	1	—	C	CA1
		Attachments for 10-20 CF 10315A, Guard:—				
28D/1007972	A25/1C	Bolt, 2 BA	2	—	C	
28W/9419402	SP.13/C	Washer	2	—	C	
15975	10-20 CF 10129A	COVER , control, column pivot, assembly (Mod. 866)	1	—	C	CA1
		Spares for:—				
5K/—	SP.95/D12	GROMMET , rubber (Alternative DHS.1790/D12)	2	—	C	
		Attachments for 10-20 CF 10129A, Cover:—				
28D/1007979	AS.1246/1B	Bolt, 4 BA	4	—	C	
28W/9419448	AGS.2035/B	Washer, shakeproof	4	—	C	
1018	10-20 CF 3707	FORK , universal joint	1	—	C	CA2
		Attachments for 10-20 CF 3707, Fork, as for 10-20 CF 3819, Shaft (See Page CA3)				
5366	10-20 CF 1805A	LEVER , serrated, assembly	1	—	C	CA1 CA2
		Spares for:—				
2A/9500466	—	BEARING , ball (3110-99-950-0466)	1	—	C	
		Attachments for 10-20 CF 1805A, Lever:—				
28D/1013176	AS.1242/10E	Bolt, 1/2" BSF	1	—	C	
28M/1006473	A27/ES	Nut, 1/2" BSF	1	—	C	
28P/9527619	SP.90/C7	Pin, split (SP.9/C8)	1	—	C	
5353	10-20 CF 4789A	LINK , assembly	1	—	P	CA2
		Spares for:—				
2A/9500429	—	BEARING , ball (3110-99-950-0429)	1	—	C	
		Attachments for 10-20 CF 4789A, Link:—				
2A/9500429	—	Bearing, ball (3110-99-950-0429)	1	—	C	
5354	10-20 CF 4783	Bolt, special, 1/2" BSF	1	—	C	CA2
28M/13935	A58/ES	Nut, 1/2" BSF	1	—	C	
5355	10-20 CF 4785	Nut, special, tapped, 2 BA	1	—	C	CA2
28P/9527619	SP.90/C7	Pin, split (SP.9/C8)	1	—	C	
5356	10-20 CF 4781	Ring, abutment	1	—	C	CA2

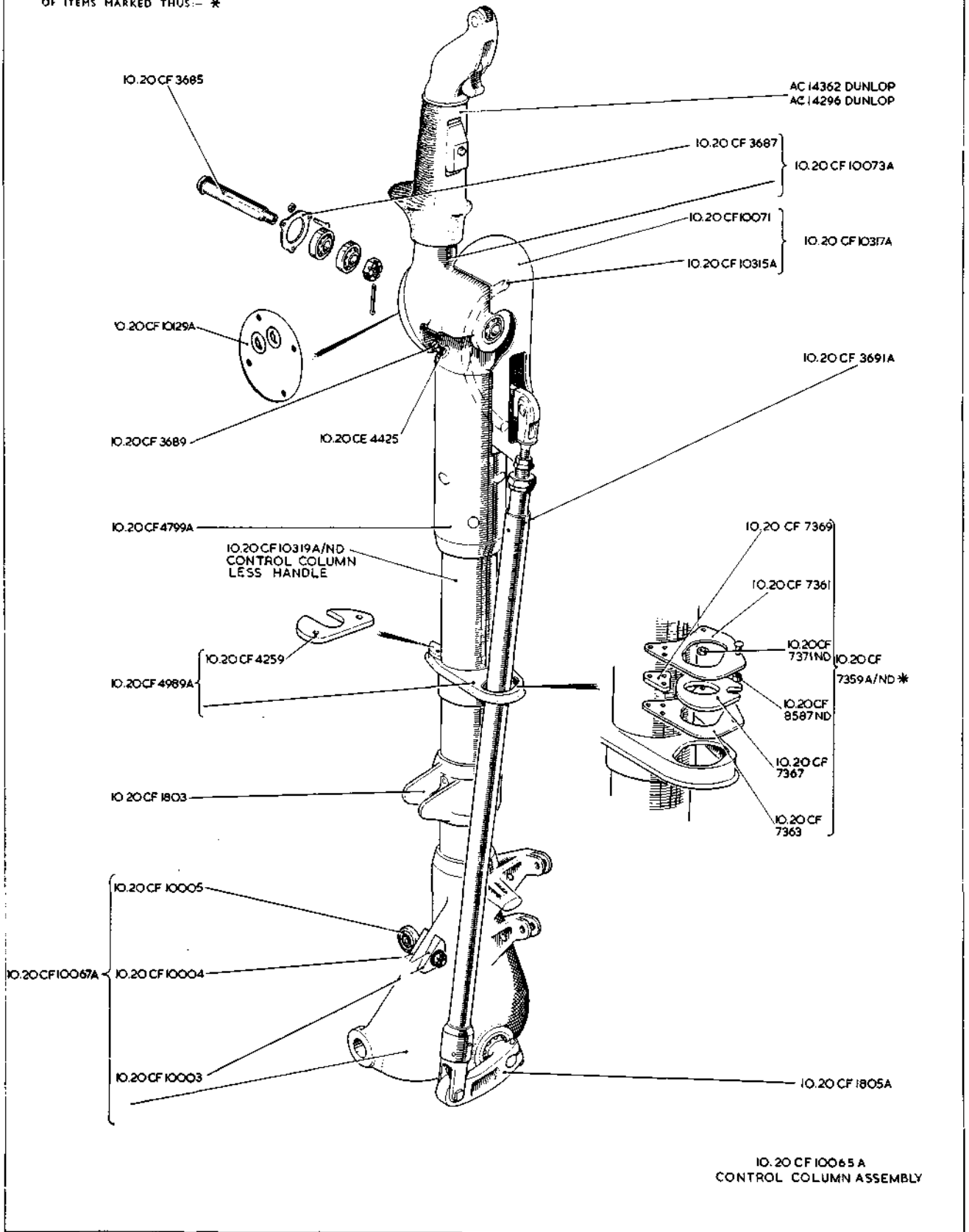
CONTROLS
FLYING CONTROLS IN FUSELAGE
CONTROL COLUMN

Ref. No.	Part No.	Description	No of	Material Specification	Class of Store or LM	Place No.
5358	10-20 CF 4799A	MOUNTING , pivot, assembly	1	—	P	CA1
		Spares for :—				
2A/9500410	—	BEARING , ball (3110-99-950-0410)	1	—	C	
5365	10-20 CF 4989A	MOUNTING , sock, assembly	1	—	P	CA1
		Spares for :—				
1022	10-20 CF 4259	FAIRLEAD	1	—	C	CA1
	10-20 CF 1803	MOUNTING , stop	1	DTD.298	—	CA1
5357	10-20 CF 4787	PLATE , link, bearing retaining	1	—	C	CA2
		Attachments for 10-20 CF 4787, Plate :—				
285/9435716	A33/B12	Screw, 4 BA	2	—	C	
1010	10-20 CF 3691A	ROD , connecting, pivot joint to lever, assembly	1	—	P	CA1
		Spares for :—				
5363	10-20 CF 4779	FORK-END	1	—	C	CA2
28M/13464	A27/GTL	NUT , $\frac{1}{16}$ " BSF, LH	1	—	C	
28M/9452621	A27/NT	NUT , $\frac{1}{2}$ " BSF	1	—	C	
1011	10-20 CF 3699	SOCKET , $\frac{3}{16}$ " and $\frac{1}{2}$ " BSF	1	—	C	CA2
	10-20 CF 3705A/ND	TUBE , sub-assembly	1	—	—	CA2
		Attachments for 10-20 CF 3691A Rod :—				
4695	10-20 CF 4067	Bolt, special, 2 BA	1	—	C	CA2
1014	10-20 CF 3817	Bolt, special, 2 BA	1	—	C	CA2
4696	10-20 CF 4069	Nut, special, tapped, 2 BA	1	—	C	CA2
1013	10-20 CF 3815	Nut, special, tapped, 2 BA	1	—	C	CA2
	—	SEAL , aileron rod details, group (Drg. No. 10-20 CF 7373)	1	—	—	
	10-20 CF 7359A/ND	PLATE , seal, assembly	1	—	—	CA1
		(For spares use 10-20 CF 9659A/ND)				
14168	10-20 CF 9659A/ND	PLATE , seal, assembly (Spares condition)	1	—	C	
	10-20 CF 7363	PLATE , bottom	1	L.73	LM	CA1
	10-20 CF 7361	PLATE , top	1	L.73	LM	CA1
	10-20 CF 7367	SHUTTER	1	L.72	LM	CA1
	10-20 CF 8587ND	SPACER , $\frac{3}{16}$ " o/d x 22 SWG x 0"-140- 0"-145 long	1	T.35	LM	CA1
		Attachments for 10-20 CF 7359A/ND, Plate :—				
28D/1008149	A25/2B	Bolt, 4 BA	4	—	C	
28V/9419448	AGS.2035/B	Washer, shakeproof, 4 BA	4	—	C	
	10-20 CF 7369	PLATE , spacer, 9 SWG	1	L.72	LM	CA1
	10-20 CF 7371ND	TUBE , spacer, 0"-35 o/d x $\frac{3}{16}$ " i/d x 0"-140- 0"-145 long	1	L.72 or L.65	LM	
1017	10-20 CF 3819	SHAFT , flanged, through lower socket webs	1	—	C	CA2
		Attachments for 10-20 CF 3819, Shaft :—				
1019	10-20 CF 3713	Bolt, special, $\frac{1}{4}$ " BSF	2	—	C	CA2
28M/1007403	A27/ET	Nut, $\frac{1}{4}$ " BSF	2	—	C	
1020	10-20 CF 3821	Shim, washer	1	—	C	CA2

**CONTROLS
FLYING CONTROLS IN FUSELAGE
CONTROL COLUMN**

Ref. No.	Part No.	Description	1 2 3 4 5 6						No. of	Material Specification	Class of Store or L.M.	Place No.
			1	2	3	4	5	6				
1015	10 CF 1169	SPIDER , universal joint						1	—	C	CA2	
26FN/3275	DHS.69/DD	Attachments for 10 CF 1169, Spider :— Shim, washer						2	—	C	CA2	
	—	HANDLE , control, group						1	—	—		
	—	CABLE (See sub-sections EAB, EAD, EFY) ...						1	—	—		
27J/—	DUNLOP AC.14296	HANDLE (Mods. 470 and 824) (For use on Pre Mod. 416 A/C) (For Spares see AP.4515C, Vol. 3, Part 1, Section 2, Chapter 61)						1	—	P	CA1	
27J/453	DUNLOP AC.14362	HANDLE (Mod. 91) (For use on Mod. 416 A/C) (For Spares see AP.4515C, Vol. 3, Part 1, Section 2, Chapter 61)						1	—	P	CA1	
		Attachments for 10-20 CF 10065A, Control column :—										
15581	A30/13J/DHS.514/D	Bolt, $\frac{3}{8}$ " BSF (Alternative S21/A30/13J)						1	—	C	CA2	
28D/1213770	A30/12J	Bolt, $\frac{3}{8}$ " BSF						1	—	C		
28M/1011476	A27/JJS	Nut, $\frac{3}{8}$ " BSF						1	—	C		
28P/9527619	SP.90/C7	Pin, split (SP.9/C8)						1	—	C		

SEE TEXT FOR SPARES CONDITION
OF ITEMS MARKED THUS: *

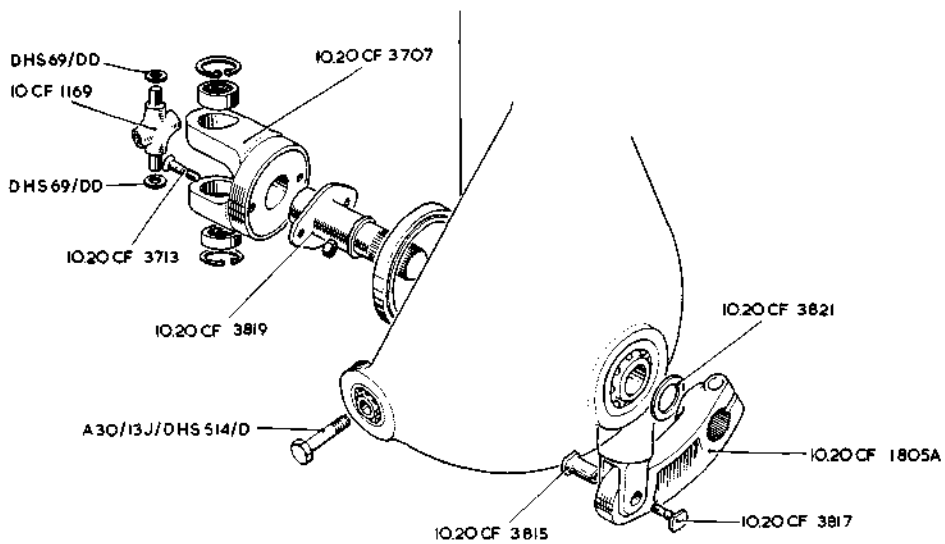
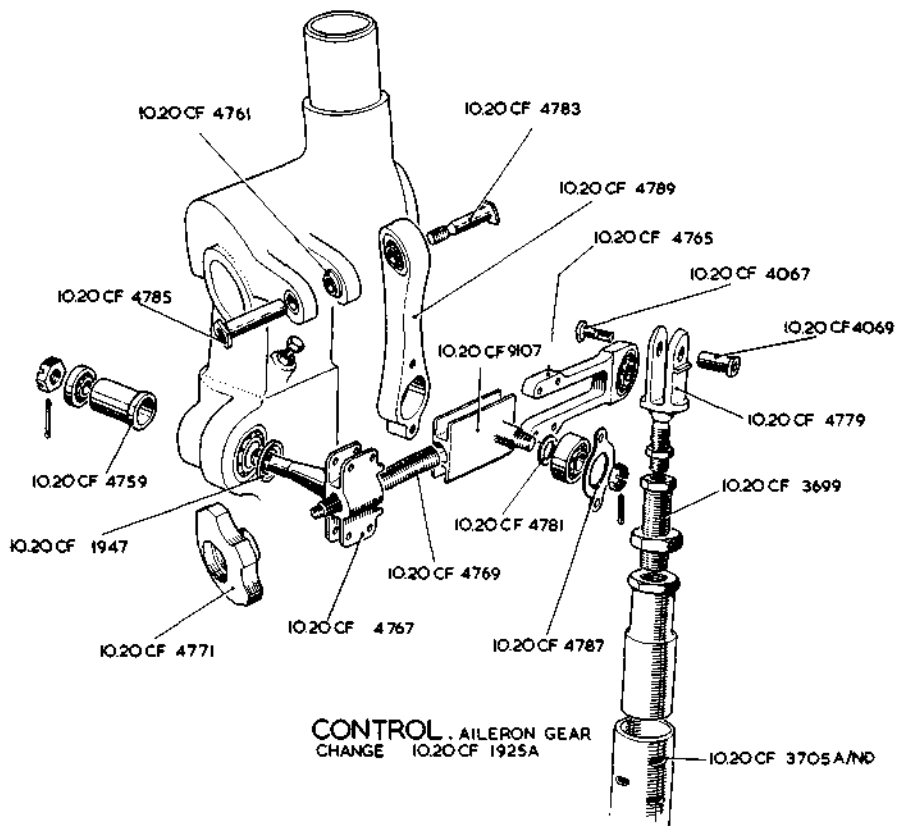


CA.1

CONTROLS

CA.1
[A.L. 73]

CONTROL COLUMN ASSEMBLY



CA.2

CONTROLS

CA.2

CONTROL COLUMN ASSEMBLY

[AL.33]

This file was downloaded
from the RTFM Library.

Link: www.scottbouch.com/rtfm

Please see site for usage terms,
and more aircraft documents.

