

CONTROLS

THROTTLE BOX AND L.H. CONSOLE ARRANGEMENT

Ref. No.	Part No.	Description	No. off	Material Specification	Class of Store or L.M.	Plate No.
		INSTALLATION OF THROTTLE BOX AND L.H. CONSOLE (10-20 CE 2299)	1	—	—	
	10-20 CE 4641A	BOX , throttle, assembly (Mods. 249 and 647) ... (Pre Mod. 416)	1	—	—	CJ2
	10-20 CE 4643A	BOX , throttle, assembly (Mods. 249, 416 and 647)	1	—	—	CJ2
3977	10-20 CE 2865A	ADJUSTER , throttle friction, assembly ...	1	—	P	CJ2
3981	10 CE 341	BODY ...	1	—	C	CJ2
3983	10-20 CE 2907A/ND	COVER , and strip, assembly ...	1	—	P	CJ2
	10-20 CE 2859	COVER ...	1	L.59	—	CJ2
	10-20 CE 2867ND	STRIP , felt, 14" long, 1/8" thick (secured with Bostik)	1	R.S4	LM	CJ2
3978	10-20 CE 2869	KNOB ...	1	—	C	CJ2
3979	10 CF 335	LEVER ...	1	—	C	CJ2
26FN/791	4 CE 361	RING , adjuster ...	1	—	C	CJ2
3982	10 CE 337	ROD ...	1	—	C	CJ2
3980	10-20 CE 2857	SPINDLE ...	1	—	C	CJ2
	10-20 CE 4693A	BELLCRANK and micro-switch, undercarriage lever lock, assembly (Mod. 647)	1	—	—	CJ2
3969	10-20 CE 2641A	ADJUSTER , micro-switch, assembly ... Attachments for 10-20 CE 2641A, Adjuster :—	1	—	C	CJ2
28M/12931	A27/ET	Nut, 1/2" BSF (Lock to DHS.514/D) ...	2	—	C	
7065	10-20 CE 3479A	BELLCRANK , undercarriage control, assembly Spares for :—	1	—	P	CJ2
4165	MANGANESE BRONZE FCT.11 x 3/8"	BEARING , "Oilite," flanged, 3/8" long ... Attachments for 10-20 CE 3479A, Bellcrank :—	2	—	C	CJ2
3968	10 CF 3477	Bolt ...	1	—	C	CJ2
28M/1011467	A27/ES	Nut, 1/2" BSF ...	1	—	C	
28P/1007741	SP.9/C8	Pin, split ...	1	—	C	
28W/9418921	SP.13/E	Washer ...	1	—	C	
3970	10-20 CE 2647	BOLT , micro-switch attachment ...	2	—	C	CJ2
15036	10-20 CE 4563	BOLT , striker (Mod. 647) ...	1	—	C	CJ2
17835	10-20 CE 4049	BRACKET , striker ... Attachments for 10-20 CE 4049, Bracket :—	1	DTD.298	C	CJ2
17836	10-20 CE 3987	Pin, hinge ...	1	5.96	C	CJ2
28P/1007741	SP.9/C8	Pin, split ...	1	—	C	
	AS.2809/4/107	Tube, distance, 1/2" o/d x 22 SWG x 1"-07 long	1	L.62	LM	
		ELECTRICAL COMPONENTS (See sub-section EBS)	—	—	—	
3964	10-20 CE 2635A	MOUNTING , bellcrank, assembly ...	1	—	C	CJ2
28M/1006473	A27/CT	NUT , locking, striker bolt ...	1	—	C	
3965	10-20 CE 2645	ROCKER , micro-switch ... Attachments for 10-20 CE 2645, Rocker :—	1	—	C	CJ2
3966	10 CF 3475	Bolt ...	1	—	C	CJ2
28M/13121	A27/CS	Nut, 2 BA ...	1	—	C	
28P/1007741	SP.9/C8	Pin, split ...	1	—	C	
28W/9419402	SP.13/C	Washer ...	1	—	C	
28D/13132	AS.3297/1C	Attachments for 10-20 CE 4693A, Bellcrank :— Bolt, 2 BA ...	1	—	C	

CONTROLS

THROTTLE BOX AND L.H. CONSOLE ARRANGEMENT

Ref. No.	Part No.	Description	No. off	Material Specification	Class of Score or L.M.	Plate No.
3963	10-20 CE 1639	BOLT , tie, through distance tube, between side plates	3	—	C	CJ6
3998	10-20 CE 2215	BUSH , flanged, pulley shaft	1	—	C	CJ3
4010	10-20 CE 2225	BUSH , flanged, pulley shaft	1	—	C	CJ3
	10-20 CE 4645A	CASING , throttle box, assembly (Mod. 249)	1	—	—	CJ6
		Spares for :—				
	10-20 CE 2671	BLOCK , radius, 10 SWG	2	L.16	LM	CJ6
	10-20 CE 2673	BLOCK , radius, 10 SWG	2	L.16	LM	CJ6
	10-20 CE 4261	BLOCK , radius, 10 SWG	1	L.16	LM	CJ6
3957	10-20 CE 2475A	BRACKET , throttle back stop, assembly	1	—	P	CJ6
28M/9434253	AGS.2007/B/1	NUT , 4 BA, anchor	4	—	C	
28M/12421	AGS.2018/C/1	NUT , 2 BA, anchor	5	—	C	
28M/11957	AGS.2007/C/1	NUT , 2 BA, anchor	2	—	C	
	10-20 CE 1273A	PLATE , corner, assembly	1	—	—	CJ6
	10-20 CE 3555	BRACKET , 18 SWG	1	L.72	LM	CJ6
	10-20 CE 3603ND	PLATE , corner, bare, 20 SWG	1	L.72	LM	CJ6
	10-20 CE 4069	PLATE , cover, 20 SWG	1	L.72	—	CJ6
		Attachments for 10-20 CE 4069, Plate :—				
28D/9140202	AS.1246/1C	Bolt , 2 BA (Parkerise P.10 matt black)	3	—	C	
	10-20 CE 2523ND	PLATE , front cover, 20 SWG	1	L.72	LM	CJ6
	10-20 CE 4649A	PLATE , inboard side, assembly (Mod. 249)	1	—	—	CJ6
		Spares for :—				
	10-20 CE 3413	BLOCK , radius, 10 SWG	1	L.72	LM	CJ6
	10-20 CE 3409	BLOCK , radius, 10 SWG	1	L.72	LM	CJ6
28M/9434253	AGS.2007/B/1	NUT , 4 BA, anchor	4	—	C	
28M/11957	AGS.2007/C/1	NUT , 2 BA, anchor	5	—	C	
3958	10 CE 219	PLATE , end, splined, throttle lever shaft	1	—	C	CJ6
		Attachments for 10 CE 219, Plate :—				
28D/13428	AS.3294/1C	Bolt , 2 BA (Parkerise P.10 matt black)	1	—	C	
3959	10 CE 381	STOP , friction lever	2	—	C	CJ6
29G/4283	CARR 550B	STUD , "Durable Dot"	3	—	C	
	10-20 CE 2677A	PLATE , lower cover, assembly	1	—	—	CJ6
		Spares for :—				
	10-20 CE 2829ND	DOUBLER , 9 SWG	1	L.72	LM	CJ6
28M/12421	AGS.2018/C/1	NUT , 2 BA, anchor	3	—	C	
	10-20 CE 2827ND	PLATE , cover, bare, 20 SWG	1	L.72	LM	CJ6
	10-20 CE 2535A	PLATE , outboard side, assembly	1	—	—	CJ6
28M/11957	AGS.2007/C/1	NUT , 2 BA, anchor	3	—	C	
13201	10-20 CE 2669	PLATE , end	1	—	C	CJ6
	10-20 CE 2723A/ND	PLATE , side and doubler, assembly	1	—	—	CJ6
	10-20 CE 2663ND	PLATE , doubling, 18 SWG	1	L.72	—	CJ6
	10-20 CE 2519ND	PLATE , side, 20 SWG	1	L.72	—	CJ6
3961	10-20 CE 659	SOCKET , flanged	1	—	C	CJ6
		Attachments for 10-20 CE 659, Socket :—				
28D/9133011	A25/2C	Bolt , 2 BA	3	—	C	
28M/9403520	A27/CP	Nut , 2 BA	3	—	C	
28W/9419475	SP.15/C	Washer	3	—	C	
	10-20 CE 4647ND	PLATE , top cover, 20 SWG	1	L.72	LM	CJ6
3956	10 CE 619A	STOP , throttle, reheat, assembly	1	—	P	CJ6
		Spares for :—				
28M/10288	AGS.2001/C/1	NUT , 2 BA	2	—	C	

CONTROLS

THROTTLE BOX AND L.H. CONSOLE ARRANGEMENT

Ref. No.	Part No.	Description						No. off	Material Specification	Class of Store or L.M.	Plate No.
		1	2	3	4	5	6				
	—	CONDUIT , electrical cable and clip, group (Drg. No. 10-20 N 13967)						1	—	—	
28E/1201809	AS.3180/6B	CLIP , "P"						1	—	C	
28E/9436728	AS.3181/4B	CLIP , "P"						1	—	C	
28E/9435723	AS.3181/8B	CLIP , "P"						4	—	C	
28E/14072	AS.3181/10B	CLIP , "P"						3	—	C	
28E/14309	AS.3181/12B	CLIP , "P"						6	—	C	
	10-20 N 4537ND	CONDUIT , $\frac{3}{8}$ " o/d x 22 SWG						1	DHA.63	—	CJ6
	10-20 N 5725ND	CONDUIT , $\frac{3}{8}$ " o/d x 22 SWG						1	DHA.63	—	CJ6
	10-20 N 5727ND	CONDUIT , $\frac{3}{8}$ " o/d x 22 SWG						1	L.56	—	CJ6
	10-20 N 13939ND	CONDUIT , $\frac{1}{2}$ " o/d x 22 SWG (Mod. 249) ...						1	L.56	—	CJ6
	10-20 N 13941ND	CONDUIT , $\frac{3}{4}$ " o/d x 22 SWG (Mod. 249)						1	DHA.63	—	CJ6
5K/2876	SP.40/A20	GROMMET						1	—	C	
28M/10287	AGS.2001/B/1	NUT , 4 BA						11	—	C	
28S/14005	A32/B14	SCREW , 4 BA						9	—	C	
28S/9992522	A32/B16	SCREW , 4 BA						1	—	C	
28S/9995376	A32/B20	SCREW , 4 BA						2	—	C	
	10-20 N 5743ND	SPACER , $\frac{1}{2}$ " x $\frac{1}{2}$ " x $\frac{1}{8}$ " thick						1	LFS.23	LM	CJ6
5F/9434858	—	STRAP , flexible, cable fastening, $\frac{5}{16}$ " wide						QR	—	C	
5F/9138823	—	STUD , table fastening						QR	—	C	
28W/9419474	SP.15/B	WASHER						11	—	C	
28W/9419486	SP.16/B	WASHER						1	—	C	
28W/9419448	AGS.2035/B	WASHER , shakeproof						1	—	C	
3989	10 CE 211	DISC , friction, throttle lever shaft						4	—	C	CJ2
	—	ELECTRICAL COMPONENTS (See Electrical sub-sections)						—	—	—	
	10-20 CE 4507	GATE , flap lever control, 10 SWG (Mod. 446)						1	S.521	—	CJ6
		Attachments for 10-20 CE 4507, Gate:—									
28D/8300	AS.1242/1B	Bolt, 4 BA						1	—	C	
28D/1007973	AS.1242/2B	Bolt, 4 BA						2	—	C	
28D/8307	AS.1242/2C	Bolt, 2 BA						1	—	C	
5K/2876	SP.40/A20	GROMMET , electrical cable						1	—	C	
		HYDRAULIC COMPONENTS (See sub-section QQ)						—	—	—	
	10-20 CE 4719A	LEVER , flap control, assembly (Mod. 439) ...						1	—	—	CJ2
4035	10-20 CE 933	KNOB						1	—	C	CJ2
		Attachments for 10-20 CE 933, Knob:—									
4036	10-20 CE 931	Bolt						1	—	C	CJ2
28M/1006473	A27/CT	Nut, 2 BA						1	—	C	
4032	10-20 CE 927A	LEVER , assembly						1	—	P	CJ2
		Spares for:—									
4169	TORRINGTON B.85	BEARING , needle, Type D.C.						2	—	C	CJ2
		Attachments for 10-20 CE 927A, Lever:—									
28D/13906	A30/19C	Bolt, 2 BA						1	—	C	
28M/13121	A27/CS	Nut, 2 BA						1	—	C	
	10-20 CE 4513	Piece, distance, 0"·4 o/d x 0"·3 long (Mod. 446)						2	L.65	LM	CJ2
28P/1007741	SP.9/C8	Pin, split						1	—	C	
6747	DHS.775/3C	Washer						2	—	C	CJ2

CONTROLS

THROTTLE BOX AND L.H. CONSOLE ARRANGEMENT

Ref. No.	Part No.	Description	No. off						Material Specification	Class of Store or L.P.	Place No.
			1	2	3	4	5	6			
15800	10-20 CE 4717	LEVER , flap (Mod. 439)						1	—	C	CJ2
13481	10-20 CE 4367	SPRING , flap lever, (Mod. 446)						1	—	C	CJ2
4025	10-20 CE 2849A	LEVER , low pressure fuel cock, Port, assembly						1	—	P	CJ2
	10-20 CE 573A	BOSS , assembly						1	—	—	CJ2
		Spares for :—									
4026	10-20 CE 577	BUSH (See Repair section PA)						1	—	C	CJ2
		Attachments for 10-20 CE 573A, Boss :—									
28D/1008149	A25/2B	Bolt, 4 BA						1	—	C	
28M/1006504	A27/BT	Nut, 4 BA						1	—	C	
4028	10-20 CE 2839A	LEVER , assembly						1	—	C	CJ2
		Spares for :—									
	10-20 CE 2841	ARM , lever						1	S.1	—	CJ2
	10-20 CE 2843	KNOB						1	L.64	—	CJ2
		Attachments for 10-20 CE 2839A, Lever :—									
28D/1008149	A25/2B	Bolt, 4 BA						2	—	C	
28M/1006504	A27/BT	Nut, 4 BA						2	—	C	
4027	10-20 CE 579	SPRING , leaf						1	—	C	CJ2
4029	10-20 CE 2847A	LEVER , low pressure fuel cock, Starboard, assembly						1	—	P	CJ2
	10-20 CE 619A	BOSS , assembly						1	—	—	CJ2
		Spares for :—									
4030	10-20 CE 623	BUSH (See Repair section PA)						1	—	C	CJ2
		Attachments for 10-20 CE 619A, Boss :—									
28D/1008149	A25/2B	Bolt, 4 BA						1	—	C	
28M/1006504	A27/BT	Nut, 4 BA						1	—	C	
4028	10-20 CE 2839A	LEVER , assembly						1	—	C	CJ2
		Spares for :—									
	10-20 CE 2841	ARM , lever						1	S.1	—	CJ2
	10-20 CE 2843	KNOB						1	L.64	—	CJ2
		Attachments for 10-20 CE 2839A, Lever :—									
28D/1008149	A25/2B	Bolt, 4 BA						2	—	C	
28M/1006504	A27/BT	Nut, 4 BA						2	—	C	
4031	10-20 CE 601	SPRING , leaf						1	—	C	CJ2
		Attachments for 10-20 CE 4719A, 10-20 CE 2849A, or 10-20 CE 2847A, Lever :—									
4037	10-20 CE 1641	Bolt, lever pivot						1	—	C	CJ2
28M/1011476	A27/JS	Nut, 3/8" BSF						1	—	C	
28P/1007741	SP.9/C8	Pin, split						1	—	C	
4040	10-20 CE 2739	Spacer						1	—	C	CJ2
4038	10-20 CE 617	Tube, distance						1	—	C	CJ2
4039	10-20 CE 2745	Tube, distance						1	—	C	CJ2
28W/9419489	SP.16/J	Washer						1	—	C	
28W/9419458	SP.10/N	Washer						1	—	C	
28W/9419466	SP.13/J	Washer						2	—	C	
28W/9419468	SP.13/N	Washer						1	—	C	

CONTROLS

THROTTLE BOX AND L.H. CONSOLE ARRANGEMENT

Ref. No.	Part No.	Description	No. off	Material Specification	Class of Score or LM	Plate No.
	10-20 CE 3045A/1	LEVER , throttle, Port, assembly	1	—	—	CJ2
3972	10 CE 187	BUSH (See Repair section PA)	1	—	C	CJ2
3973	10-20 CE 1901	CABLE , assembly	1	—	C	CJ2
		Attachments for 10-20 CE 1901, Cable :—				
28D/9133013	A25/5C	Bolt, 2 BA	1	—	C	
28M/9403520	A27/CP	Nut, 2 BA	1	—	C	
28W/9419475	SP.15/C	Washer	1	—	C	
28E/8018279	AS.3180/4C	CLIP , "P," at throttle cable attachments ...	1	—	C	
	—	ELECTRICAL COMPONENTS (See sub-section BB)	—	—	—	
3971	10-20 CE 3047	LEVER , bare	1	—	C	CJ2
	10-20 CE 3083ND	PLATE , clamp, cable, 18 SWG	1	L.72	LM	CJ2
		Attachments for 10-20 CE 3083ND, Plate :—				
28S/1200058	A33/A12	Screw, 6 BA	2	—	C	
	10-20 CE 3963	STRIKER , throttle stop	1	S.15	—	CJ2
		Attachments for 10-20 CE 3963, Striker :—				
28D/9133013	A25/5C	Bolt, 2 BA	2	—	C	
28M/9403520	A27/CP	Nut, 2 BA	2	—	C	
28W/9419475	SP.15/C	Washer	2	—	C	
	10-20 CE 3049A/3	LEVER , throttle, Starboard, assembly	1	—	—	CJ2
		(Pre Mod. 416)				
	10-20 CE 4429A	LEVER , throttle, Starboard, assembly	1	—	—	CJ2
		(Mod. 416)				
3975	10 CE 185	BUSH (See Repair section PA)	1	—	C	CJ2
3976	10-20 CE 1902	CABLE , assembly	1	—	C	CJ2
		Attachments for 10-20 CE 1902, Cable :—				
28D/9133013	A25/5C	Bolt, 2 BA	1	—	C	
28M/9403520	A27/CP	Nut, 2 BA	1	—	C	
28W/9419475	SP.15/C	Washer	1	—	C	
	10-20 CE 4103ND	CLAMP , cable	1	L.72	LM	CJ2
		Attachments for 10-20 CE 4103ND, Clamp :—				
28M/9138549	A50/Z	Nut, 8 BA	2	—	C	
28S/9132085	A33/Z18	Screw, 8 BA	2	—	C	
28W/9144907	SP.25/Z	Washer	2	—	C	
28E/1012876	AS.3181/4C	CLIP , "P," at throttle cable attachments ...	1	—	C	
		(Pre Mod. 416)				
28E/1012877	AS.3181/5C	CLIP , "P," at throttle cable attachments ...	1	—	C	
		(Mod. 416)				
	10-20 CE 4735	GUARD , cable, 20 SWG (Mod. 828)	1	L.72	LM	CJ2
		(Pre Mod. 1101)				
	10-20 CE 8075	GUARD , switch, 22 SWG (Mod. 1178) ...	1	L.72	LM	CJ2
		Attachments for 10-20 CE 4735 and 10-20 CE 8075, Guards (per pair) :—				
28D/1200120	A25/14B	Bolt, 4 BA	2	—	C	
28M/10287	AGS.2001/B/1	Nut, 4 BA	2	—	C	
28W/9419474	SP.15/B	Washer	2	—	C	
3974	10-20 CE 3051	LEVER , bare	1	—	C	CJ2
	10-20 CE 3963	STRIKER , throttle stop	1	S.15	—	CJ2
		Attachments for 10-20 CE 3963, Striker :—				
28D/9133013	A25/5C	Bolt, 2 BA	2	—	C	
28M/9403520	A27/CP	Nut, 2 BA	2	—	C	
28W/9419475	SP.15/C	Washer	2	—	C	
	—	SWITCH , coded "G," assembly	—	—	—	
		(See sub-section EBZ)				

CONTROLS

THROTTLE BOX AND L.H. CONSOLE ARRANGEMENT

Ref. No.	Part No.	Description	No. off	Material Specification	Class of Store or L.M.	Place No.
4021	10-20 CE 521A	LEVER , throttle stop, assembly ... Spares for :—	1	—	P	CJ3
	MANGANESE BRONZE					
4168	CT.172 x $\frac{3}{8}$	BEARING , "Oilite," $\frac{3}{8}$ " long ...	2	—	C	CJ3
4020	10-20 CE 525A	LEVER , throttle stop, assembly ... Spares for :—	1	—	P	CJ3
	MANGANESE BRONZE					
4168	CT.172 x $\frac{3}{8}$	BEARING , "Oilite," $\frac{3}{8}$ " long ...	2	—	C	CJ3
4023	10-20 CE 2487A	LEVER , throttle stop, assembly ... Spares for :—	1	—	P	CJ3
	MANGANESE BRONZE					
4168	CT.172 x $\frac{3}{8}$	BEARING , "Oilite," $\frac{3}{8}$ " long ...	1	—	C	CJ3
	MANGANESE BRONZE					
4166	FCT.70 x $\frac{3}{8}$	BEARING , "Oilite," $\frac{3}{8}$ " long ...	1	—	C	CJ3
4022	10-20 CE 2491A	LEVER , throttle stop, assembly ... Spares for :—	1	—	P	CJ3
	MANGANESE BRONZE					
4168	CT.172 x $\frac{3}{8}$	BEARING , "Oilite," $\frac{3}{8}$ " long ...	1	—	C	CJ3
	MANGANESE BRONZE					
4166	FCT.70 x $\frac{3}{8}$ "	BEARING , "Oilite," $\frac{3}{8}$ " long ...	1	—	C	CJ3
		Attachments for 10-20 CE 521A, 10-20 CE 5252A, 10-20 CE 2487A or 10-20 CE 2491A, Lever :—				
4024	10-20 CE 527	Bolt, lever pivot ...	1	—	C	CJ3
28M/5808573	A27/CS	Nut, 2 BA ...	1	—	C	
28P/9527619	SP.90/C7	Pin, splic (SP.9/C8) ...	1	—	C	
	AS.2811/6/095	Tube, distance, $\frac{3}{8}$ " o/d x 17 SWG x 0".95 long	1	L.62	LM	CJ3
28W/9419402	SP.13/C	Washer ...	1	—	C	
28W/9418921	SP.13/E	Washer ...	2	—	C	
4011	10-20 CE 2835A	LEVER , trigger, throttle lever, assembly... Spares for :—	1	—	P	CJ2
	MANGANESE BRONZE					
4166	FCT.70 x $\frac{3}{8}$	BEARING , "Oilite," $\frac{3}{8}$ " long ...	2	—	C	CJ2
4012	10-20 CE 2495A	LEVER , trigger, throttle stop, assembly ... Spares for :—	1	—	P	CJ2
	MANGANESE BRONZE					
4167	FCT.70 x $\frac{1}{4}$	BEARING , "Oilite," $\frac{1}{4}$ " long ...	2	—	C	CJ2
		Attachments for 10-20 CE 2835A or 10-20 CE 2495A, Lever :—				
28D/1011026	A25/26C	Bolt, 2 BA ...	1	—	C	
28M/9403520	A27/CP	Nut, 2 BA ...	1	—	C	
	AS.2806/4/224	Tube, distance, $\frac{1}{4}$ " o/d x 22 SWG x 2".24 long	1	L.62	LM	CJ2
28W/9419454	SP.10/C	Washer ...	1	—	C	

CONTROLS

THROTTLE BOX AND L.H. CONSOLE ARRANGEMENT

Ref. No.	Part No.	Description	No. off	Material Specification	Class of Store or L.M.	Plate No.
4013	10-20 CE 2477A	LINK , throttle stop, assembly	1	—	P	CJ3
	10-20 CE 2479	FORK-END , rod, threaded 2 BA	1	S.1	—	CJ3
	10-20 CE 515	FORK-END , tapped, 2 BA	1	S.1	—	CJ3
28M/1006473	A27/CT	NUT , 2 BA	1	—	C	
4014	10-20 CE 2481A	LINK , throttle stop, assembly	1	—	P	CJ3
	10-20 CE 2483	FORK-END , rod, threaded 2 BA	1	S.1	—	CJ3
	10-20 CE 515	FORK-END , tapped 2 BA	1	S.1	—	CJ3
28M/1006473	A27/CT	NUT , 2 BA	1	—	C	
		Attachments for 10-20 CE 2477A or 10-20 CE 2481A, Link :—				
28P/7002435	SP.4Y/A3	Pin, shackle	2	—	C	
28P/1007741	SP.9/C8	Pin, splic	2	—	C	
28W/9419465	SP.13/B	Washer	2	—	C	
13908	10-20 CE 4435	LUG , threaded, for locking jet pipe temperature control switch (Mod. 513)	2	S.92	—	CJ6
	—	PANEL , triple hydraulic pressure warning indicator (See sub-section QQ)	—	—	—	
3988	10-20 CE 1121	PIECE , distance, splined, throttle lever shaft ...	1	—	C	CJ2
3986	10 CE 403A	PIECE , distance, throttle lever, Port, assembly	1	—	P	CJ3
	10 CE 373	Spares for :— GUARD , cable	1	DTD.364	—	CJ3
		Attachment for 10 CE 373, Guard :—				
28M/10288	AGS.2001/C/1	Nut, 2 BA	1	—	C	
3984	10 CE 401A	PIECE , distance, throttle lever, Starboard, assembly	1	—	P	CJ3
	10 CE 371	Spares for :— GUARD , cable	1	DTD.364	—	CJ3
		Attachments for 10 CE 371, Guard :—				
28M/10288	AGS.2001/C/1	Nut, 2 BA	1	—	C	
	10-20 CE 4423A/ND	PLATE , cover, lower half, assembly	1	—	—	CJ6
	10-20 CE 4385	PLATE , anchor, assembly	1	—	—	CJ6
28M/9434253	AGS.2007/B/1	NUT , anchor, 4 BA	1	—	C	
	10-20 CE 4287ND	PLATE , bare, 20 SWG	1	L.72	LM	CJ6
	10-20 CE 2511ND	PLATE , cover, lower half, 14 SWG	1	L.72	—	CJ6
		Attachments for 10-20 CE 4423A/ND, Plate :—				
28D/8131782	AS.1242/2B	Bolt, 4 BA	3	—	C	
28D/10079-5	AS.1242/1C	Bolt, 2 BA	1	—	C	
28D/8307	AS.1242/2C	Bolt, 2 BA	4	—	C	
	10-20 CE 2509ND	PLATE , cover, upper half, 18 SWG	1	L.72	—	CJ6
		Attachments for 10-20 CE 2509ND, Plate :—				
28D/1007975	AS.1242/1C	Bolt, 2 BA	2	—	C	
28D/8307	AS.1242/2C	Bolt, 2 BA	4	—	C	
	10-20 CE 2917A	PULLEY , flap cable control, assembly	1	—	—	CJ3
3995	10-20 CE 1995A	CABLE , flap, assembly	1	—	C	CJ3
		Attachments for 10-20 CE 1995A, Cable :—				
28D/1007976	AS.1242/4C	Bolt, 2 BA	1	—	C	
28M/9403520	A27/CP	Nut, 2 BA	1	—	C	

CONTROLS
THROTTLE BOX AND L.H. CONSOLE ARRANGEMENT

Ref. No.	Part No.	Description	No. off	Material Specification	Class of Store or L.M.	Plate No.
10225	10-20 CE 2211A/ND	PULLEY , and bearing, assembly	1	—	P	CJ3
3819	TORRINGTON B.1212	BEARING , needle, Type DC	1	—	C	CJ3
	10-20 CE 2205	PULLEY , flap control	1	L.122	—	CJ3
11650	10 CE 1533	STUD	1	—	C	CJ3
		Attachment for 10 CE 1533, Stud :—				
28M/1006473	A27/CT	Nut, 2 BA	1	—	C	
4000	10-20 CE 2217A	PULLEY , fuel cock control, Port, assembly	1	—	P	CJ3
4002	10-20 CE 1939	CABLE , assembly	1	—	C	CJ3
		Attachments for 10-20 CE 1939, Cable :—				
28D/1007976	AS.1242/4C	Bolt, 2 BA	1	—	C	
28M/1006473	A27/CT	Nut, 2 BA	1	—	C	
28V/9419475	SP.15/C	Washer	1	—	C	
4005	10-20 CE 587A	PULLEY , assembly	1	—	P	CJ3
		Spares for :—				
4006	10-20 CE 2227	BUSH (See Repair section PA)	1	—	C	CJ3
4004	10-20 CE 595	STUD	1	—	C	CJ3
		Attachments for 10-20 CE 595, Stud :—				
28M/1006473	A27/CT	Nut, 2 BA	1	—	C	
4001	10-20 CE 2219A	PULLEY , fuel cock control, Starboard, assembly	1	—	P	CJ3
4003	10-20 CE 1940	CABLE , assembly	1	—	C	CJ3
		Attachments for 10-20 CE 1940, Cable :—				
28D/1007976	AS.1242/4C	Bolt, 2 BA	1	—	C	
28M/1006473	A27/CT	Nut, 2 BA	1	—	C	
28V/9419475	SP.15/C	Washer	1	—	C	
4007	10-20 CE 2269A	PULLEY , assembly	1	—	P	CJ3
		Spares for :—				
4008	10-20 CE 2229	BUSH (See Repair section PA)	1	—	C	CJ3
4004	10-20 CE 595	STUD	1	—	C	CJ3
		Attachments for 10-20 CE 595, Stud :—				
28M/1006473	A27/CT	Nut, 2 BA	1	—	C	
	10-20 CE 2919A	PULLEY , undercarriage control, assembly	1	—	—	CJ3
3996	10-20 CE 1981A	CABLE , assembly	1	—	C	CJ3
		Attachments for 10-20 CE 1981A, Cable :—				
28D/1007976	AS.1242/4C	Bolt, 2 BA	1	—	C	
28M/9403520	A27/CP	Nut, 2 BA	1	—	C	
3997	10-20 CE 2213A/ND	PULLEY , and bearing, assembly	1	—	P	CJ3
3819	TORRINGTON B.1212	BEARING , needle, Type D.C.	1	—	C	CJ3
	10-20 CE 2203	PULLEY , bare	1	L.122	—	CJ3
11650	10 CE 1533	STUD	1	—	C	CJ3
		Attachment for 10 CE 1533, Stud :—				
28M/1006473	A27/CT	Nut, 2 BA	1	—	C	

CONTROLS

THROTTLE BOX AND L.H. CONSOLE ARRANGEMENT

Ref. No.	Part No.	Description	No. off	Material Specification	Class of Store or L.M.	Plate No.
3994	10-20 CE 605A	ROD , connecting, flap control pulley, assembly ...	1	—	P	CJ2
2A/9500462	—	Spares for :— BEARING , ball	2	—	—	CJ2
3992	10-20 CE 2853	Attachments for 10-20 CE 605A, Rod :— Bolt, 2 BA	1	S.96	C	CJ2
3993	10-20 CE 2851	Nut, 2 BA	1	S.1	C	CJ2
28M/13121	A27/CS	Nut, 2 BA	1	—	C	
28P/1007741	SP.9/C8	Pin, split	2	—	C	
3991	10 CE 1795A	ROD , connecting, fuel cock lever, assembly ...	2	—	P	CJ2
2A/9500462	—	Spares for :— BEARING , ball	2	—	—	CJ2
3992	10-20 CE 2853	Attachments for 10 CE 1795A, Rod :— Bolt, 2 BA	1	S.95	C	CJ2
3993	10-20 CE 2851	Nut, 2 BA	1	S.1	C	CJ2
28M/13121	A27/CS	Nut, 2 BA	1	—	C	
28P/1007741	SP.9/C8	Pin, split	2	—	C	
9629	10-20 CE 3443A	ROD , connecting, undercarriage control, assembly	1	—	P	CJ2
2A/9500462	—	Spares for :— BEARING , ball	2	—	—	CJ2
28D/16972	A59/10C	Attachments for 10-20 CE 3443A, Rod :— Bolt, 2 BA	1	—	C	
28M/13121	A27/CS	Nut, 2 BA	1	—	C	
28P/1007741	SP.9/C8	Pin, split	1	—	C	
28W/9416454	SP.10/C	Washer	2	—	C	
28W/9419402	SP.13/C	Washer	3	—	C	
10955	A31/C28/DHS.514/D	SCREW , 2 BA, throttle lever stop	4	—	C	CJ6
10956	10-20 CE 4425	Attachments for A31/C28/DHS.514/D, Screw :— Nut, 2 BA (Make from Ref. No. 28M/13124) ...	4	—	C	CJ6
4009	10-20 CE 993	SHAFT , pulley	1	S.1	C	CJ3
28M/12930	A27/ES	Attachments for 10-20 CE 993, Shaft :— Nut, 1" BSF	1	—	C	
28P/1007741	SP.9/C8	Pin, split	1	—	C	
28W/9418920	SP.10/E	Washer	1	—	C	
3999	10-20 CE 2977	SHAFT , throttle control	1	S.1	C	CJ3
26DV/6841	DHS.94/5/115	Attachment for 10-20 CE 2977, Shaft :— Pin, ground steel, $\frac{3}{8}$ " dia.	1	S.96	C	CJ3
	10-20 CE 2737ND	SPACER , pulley shaft, $\frac{1}{8}$ " o/d x 14 SWG x 0"·82 long	1	L.55	LM	CJ3
3990	10 CE 369	SPACER , throttle lever shaft, between levers ...	1	S.1	C	CJ3
4015	10-20 CE 531A	STOP , throttle, assembly	1	—	P	CJ2
	10-20 CE 539A	HOUSING	1	L.121	—	CJ2
		Spares for :— BUSH (See Repair Section PA)	2	S.1	C	CJ2
4018	10-20 CE 517	PLATE , keeper	1	L.72	LM	CJ2
	10-20 CE 567ND	Attachments for 10-20 CE 567ND, Plate :— Screw, 6 BA	1	—	C	
28S/1200057	A33/A8					

CONTROLS

THROTTLE BOX AND L.H. CONSOLE ARRANGEMENT

Ref. No.	Part No.	Description	No. off						Material Specification	Class of Store or L.M	Place No.
			1	2	3	4	5	6			
	10-20 CE 569ND	PLATE , keeper						1	L.72	—	CJ2
4019	10-20 CE 537	NUT , retaining						2	DTD.423	C	CJ2
4016	10-20 CE 533	PLUNGER						2	S.15	C	CJ2
4017	10-20 CE 535	SPRING						2	DTD.215	C	CJ2
		Attachments for 10-20 CE 531A, Stop :—									
28D/17028	AS.4598/2B	Bolt, 4 BA (Parkerise P.10, matt black)						4	—	C	
28D/9435777	AS.4598/3B	Bolt, 4 BA (Parkerise P.10, matt black)						4	—	C	
28M/10287	AGS.2001/B/1	Nut, 4 BA						8	—	C	
	10-20 CE 2735ND	Packing, 2"·25 × 2"·0 × 12 SWG						1	L.72	LM	CJ2
28P/813	SP.4Y/A3	Pin, shackle						2	—	C	
28P/1007741	SP.9/CB	Pin, split						2	—	C	
28W/9419465	SP.13/B	Washer						2	—	C	
	AS.2811/5/535	TUBE , distance, between side plates, in conjunction with tie bolts, $\frac{3}{8}$ " o/d × 17 SWG × 5"·35 long						2	L.62	LM	CJ6
	AS.2809/4/544	TUBE , distance, between side plates, through throttle levers distance pieces arms, in conjunction with tie bolt, $\frac{1}{2}$ " o/d × 22 SWG × 5"·44 long						1	L.62	LM	CJ6
3985	10 CE 637	WASHER , packing, throttle lever shaft, between distance pieces						2	S.510	C	CJ3
28W/9419466	SP.13/J	WASHER , pulley shaft, at spacer						1	—	C	
28W/9419460	SP.10/Q	WASHER , pulley shaft, between flanged bush and Starboard fuel cock control pulley						QR	—	C	
	10-20 CE 2239ND	WASHER , pulley shaft, between flap control pulley and undercarriage control pulley (Make from Part No. SP.13/Q, Ref. No. 28W/9419470)						1	—	LM	CJ3
	10-20 CE 2741ND	WASHER , pulley shaft, between fuel cock control pulleys (Make from Part No. SP.13/N, Ref. No. 28W/9419468)						1	—	LM	CJ3
28W/9419468	SP.13/N	WASHER , pulley shaft, between Port fuel cock control pulley and spacer						1	—	C	
3987	10-20 CE 921	WASHER , throttle friction adjuster						1	S.510 or S.1	C	CJ2
		Attachments for 10-20 CE 4641A or 10-20 CE 4643A, Throttle Box :—									
28D/9436920	A25/1C	Bolt, 2 BA						2	—	C	
28D/12513	A25/2C	Bolt, 2 BA						2	—	C	
28D/12531	A25/3C	Bolt, 2 BA						3	—	C	
28W/9419402	SP.13/C	Washer						8	—	C	
	10-20 CE 4537A	CONSOLE , L.H., assembly (Mod. 396)						1	—	—	CJ4
	10-20 CE 1845A	BOX , control, air shut-off and ram air						1	—	—	CJ8
3558	19-20 CE 3073	ARM , pulley locating						2	L.53	C	CJ8
		Attachments for 10-20 CE 3073, Arm :—									
28D/1007319	AS.1242/4B	Bolt, 4 BA						4	—	C	
3559	10-20 CE 3077	Bush						4	L.64	C	CJ8
28M/12619	A24/BT	Nut, 4 BA						4	—	C	
28W/9419465	SP.13/B	Washer						4	—	C	

CONTROLS

THROTTLE BOX AND L.H. CONSOLE ARRANGEMENT

Ref. No.	Part No.	Description	No. off	Material Specification	Class of Store or L.M.	Plate No.
3553	10-20 CE 1839A	CASTING , assembly	1	—	P	CJ8
		Spares for :—				
	10-20 CE 1843ND	STRIP , rubbing, 18 SWG	1	S.510	LM	CJ8
	10-20 CE 3071A	HANDLE , and lever, assembly	1	—	—	CJ8
3555	10-20 CE 3069	HANDLE	1	—	C	CJ8
		Attachments for 10-20 CE 3069, Handle :—				
28D/9140645	A25/10C	Bolt, 2 BA	1	—	C	
28M/9403520	A2-/CP	Nut, 2 BA	1	—	C	
28P/1007741	SP.9/C8	Pin, split	1	—	C	
28W/9419402	SP.13/C	Washer	1	—	C	
3554	10-20 CE 3067	KNOB , lever	1	—	C	CJ8
		Attachments for 10-20 CE 3067, Knob :—				
3520	10 CE 1447	Screw, 4 BA	1	—	C	CJ8
28W/9419448	AGS.2035/B	Washer, shakeproof	1	—	C	
3556	10-20 CE 721A	LEVER , assembly	1	—	P	CJ8
		Spares for :—				
3602	DHS.419/1/C/6".20	BUSH } (See Repair section PA)	1	—	C	CJ8
3601	DHS.419/2/N/4".59	BUSH }	1	—	C	CJ8
		Attachments for 10-20 CE 3071A, Handle and lever :—				
3557	10-20 CE 729	Bolt, shouldered	1	—	C	CJ8
28W/9419456	SP.10/J	Washer	1	—	C	
28W/9419458	SP.10/N	Washer	3	—	C	
	10-20 CE 1833A	PULLEY and cable, air shut off assembly	1	—	—	CJ8
	10-20 CE 1835A	PULLEY and cable, ram air, assembly	1	—	—	CJ8
		Spares for :—				
3562	10-20 CE 1951	CABLE , air shut off, assembly	1	—	P	CJ8
3463	10-20 CE 1975	CABLE , ram air, assembly	1	—	P	CJ8
5		Attachments for 10-20 CE 1951 or 10-20 CE 1975, Cable :—				
28D/1007976	AS.1242/4C	Bolt, 2 BA	1	—	C	
28M/1006473	A27/CT	Nut, 2 BA	1	—	C	
28W/9419475	SP.15/C	Washer	1	—	C	
3560	10-20 CE 3075	PLATE , reinforcing, 18 SWG	1	L.72	LM	CJ8
	10-20 CE 3063A	PULLEY , assembly	1	—	P	CJ8
		Spares for :—				
3603	DHS.419/2/N/".427	BUSH (See Repair section PA)	1	—	C	CJ8
	10-20 CE 4165	RETAINER , cable	1	LFS.21	LM	CJ8
	10-20 CE 4166	RETAINER , cable	1	LFS.21	LM	CJ8
		Attachments for 10-20 CE 4165 or 10-20 CE 4166, Retainer :—				
28D/1007973	AS.1242/2B	Bolt, 4 BA	1	—	C	
28M/1006504	A27/BT	Nut, 4 BA	1	—	C	
28W/9419474	SP.15/B	Washer	1	—	C	
3561	10-20 CE 1837	SPRING , leaf	1	—	C	CJ8
		Attachments for 10-20 CE 1845A, Control Box :—				
28D/13428	AS.3294/1C	Bolt, 2 BA (Parkerise P.10, matt black)	4	—	C	

CONTROLS

THROTTLE BOX AND L.H. CONSOLE ARRANGEMENT

Ref. No.	Part No.	Description	No. off	Material Specification	Class of Store or L.M.	Plate No.
8307	10-20 CE 3523A	BOX , control, arrestor hook, assembly ...	1	—	P	CJ7
		Spares for :—				
	10-20 CE 3717	EXTENSION , lever ...	1	S.92	—	CJ7
	10-20 CE 3719	KNOB ...	1	DTD.735	—	CJ7
	10-20 CE 3525	LEVER , cable ...	1	—	—	CJ7
		Spares for :—				
	MANGANESE BRONZE & BRASS					
3598	FCT.100 x 0".35	BUSH , " Oilite," 0".35 long ...	2	—	C	CJ7
28N/13511	HOFFMANN CJ.1	JOINT , self-aligning ...	1	—	C	CJ7
		Attachments for 10-20 CE 3525, Lever :—				
3532	10-20 CE 2455	Bolt , shouldered ...	1	—	C	CJ7
28M/14833	A58/JS	Nut , 3/8" BSF ...	1	—	C	CJ7
28P/1007741	SP.9/C8	Pin , split ...	1	—	C	CJ7
3599	DHS.783/27/18	Washer ...	1	—	C	CJ7
3531	10-20 CE 2443	NUT , knob retaining ...	1	—	C	CJ7
3823	10-20 CE 787	PIN , stop ...	1	—	C	CJ7
	10-20 CE 2447	PIN , stop ...	1	S.1	—	CJ7
4199	10-20 CE 2451	PIN , stop ...	1	—	C	CJ7
3530	10-20 CE 2453	SPRING , located in knob ...	1	—	C	CJ7
3529	10-20 CE 2649	SPRING , located in lever ...	1	—	C	CJ7
		Attachments for 10-20 CE 3523A, Control Box :—				
28D/13428	AS.3294/1C	Bolt , 2 BA (Parkerise P.10, matt black) ...	4	—	C	
	10-20 CE 3905A/2	CASING , L.H., console, assembly (Mod. 208) ...	1	—	—	CJ5
		Spares for :—				
3524	10-20 CE 1073	BOLT , shouldered (outboard side only) ...	1	—	C	CJ5
		Attachments for 10-20 CE 1073, Bolt :—				
28M/9403520	A27/CP	Nut , 2 BA ...	1	—	C	
28W/9419475	SP.15/C	Washer ...	1	—	C	
	10-20 CE 3319A	BRACKET , attachment, assembly ...	1	L.72	LM	CJ5
		Spares for :—				
28M/11957	AGS.2007/C/1	NUT , 2 BA ...	1	—	C	
	10-20 CE 3009A	BRACKET , radio mounting shelf, assembly ...	1	—	—	CJ5
		Spares for :—				
28M/9418918	AGS.2012/C/11	NUT , 2 BA ...	2	—	C	
	10-20 CE 2293	BRACKET , support, rear ...	1	L.121	—	CJ5
		Attachments for 10-20 CE 2293, Bracket :—				
28D/9133011	A25/2C	Bolt , 2 BA ...	2	—	C	
1092	DHS.365/2C	Bolt , 2 BA ...	1	—	C	
28M/9403520	A27/CP	Nut , 2 BA ...	3	—	C	
28W/9419402	SP.13/C	Washer ...	3	—	C	

CONTROLS

THROTTLE BOX AND L.H. CONSOLE ARRANGEMENT

Ref. No.	Part No.	Description						No. off	Material Specification	Class of Store or L.M	Plate No.
		1	2	3	4	5	6				
	10-20 CE 1781							1	L.72	—	CJ5
	10-20 CE 3499A/2							1	—	—	CJ5
	10-20 CE 735A							1	—	—	CJ5
3525	10-20 CE 753							1	—	C	CJ5
28D/9133011	A25/2C							6	—	C	
28M/9403520	A27/CP							6	—	C	
28W/9419475	SP.15/C							6	—	C	
	10-20 CE 3913A							1	—	—	CJ5
	10-20 CE 735A							1	—	—	CJ5
3525	10-20 CE 753							1	—	C	CJ5
28D/9133011	A25/2C							6	—	C	
28M/9403520	A27/CP							6	—	C	
28W/9419475	SP.15/C							6	—	C	
	10-20 CE 4345A							1	—	—	CJ5
	10-20 CE 737A							2	—	—	CJ5
3526	10-20 CE 751							1	—	C	CJ5
28M/—	AGS.2009/1/3							1	—	C	
28D/9133011	A25/2C							6	—	C	
28M/9403520	A27/CP							6	—	C	
28W/9419475	SP.15/C							6	—	C	
	—							—	—	—	
12250	10-20 CE 4283A							1	—	P	CJ4
	10 CE 1451							1	S.1	—	CJ4
	10-20 CE 749							1	L.71	—	CJ4
3519	10 CE 1455							1	—	C	CJ4
3520	10 CE 1447							1	—	C	CJ4
28W/9419448	AGS.2035/B							1	—	C	
	10-20 CE 743A							1	—	—	CJ4
3604	DHS.419/2/N/88							1	—	C	CJ4
8308	10-20 CE 3601							1	—	C	CJ4
3518	10-20 CE 763A							1	—	P	CJ4
	10 CE 1451							1	S.1	—	CJ4
	10-20 CE 791							1	L.71	—	CJ4

CONTROLS

THROTTLE BOX AND L.H. CONSOLE ARRANGEMENT

Ref. No.	Part No.	Description	No off	Material Specification	Class of Store or L.M.	Place No.
3519	10 CE 1455	KNOB	1	—	C	CJ4
		Attachments for 10 CF 1455, Knob :—				
3520	10 CE 1447	Screw	1	—	C	CJ4
28W/9419448	AGS.2035/B	Washer, shakeproof	1	—	C	
	10-20 CE 759A	LEVER , fuel transfer, assembly... ..	1	—	—	CJ4
		Spares for :—				
	DHS.419/2/N/1"-28	BUSH , plain	1	DTD.197	—	CJ4
28N/13511	HOFFMANN CJ.1	JOINT , self-aligning	1	—	C	CJ4
		Attachments for 10-20 CE 763A, Lever and handle:—				
3521	10-20 CE 765	Bolt, lever pivot	1	—	C	CJ4
	10-20 CE 8031	PLATE , adaptor, 12 SWG (Mod. 1091)	1	L.72	LM	CJ4
		Attachments for 10-20 CE 8031, Plate :—				
28D/1213840	AS.3294/1C	Bolt, 2 BA (Parkerise P.10, matt black)	4	—	C	
	10-22 CE 37	PLATE , blanking, bull-pup control grip, 18 SWG (Mod. 1133)	1	L.72	LM	CJ4
		Attachments for 10-22 CE 37, Plate :—				
28S/1214154	AS.2992/5B	Screw, 4 BA	4	—	C	
	10-20 CE 3917	PLATE , cover, 18 SWG (Mod. 7)	1	L.72	LM	CJ4
		Attachments for 10 CE 3917, Plate :—				
	10-20 CE 3927ND	Bolt, 4 BA (Parkerwise P.10 matt black) (Make from Part No. AS.4597/4B, Ref. No. 28D/1214424)	4	—	LM	CJ4
	10-20 CE 4309	PLATE , top guide, air brake, 12 SWG	1	L.72	LM	CJ4
		Attachments for 10-20 CE 4309, Plate :—				
28D/1213840	AS.3294/1C	Bolt, 2 BA (Parkerise P.10, matt black)	4	—	C	
	10-20 CE 923	PLATE , top guide, fuel cross feed, 12 SWG	1	L.59	LM	CJ4
		Attachments for 10-20 CE 923, Plate :—				
28D/1213840	AS.3294/1C	Bolt, 2 BA (Parkerwise P.10, matt black)	4	—	C	
	10-20 CE 801A/1	UNIT , control, automatic, temperature, cabin air, assembly (Pre Mod. 794)	1	—	—	CJ8
	10-20 CE 4711A	UNIT , control, automatic, temperature, cabin air, assembly (Mod. 794)	1	—	—	CJ8
	—	ELECTRICAL COMPONENTS	—	—	—	
		(See sub-section EBF)				
3543	10-20 CE 1815A	SHAFT , drive, assembly (Pre Mod. 794)	1	—	P	CJ8
15959	10-20 CE 4615A	SHAFT , drive, assembly (Mod. 794)	1	—	P	CJ8
		Spares for :—				
3545	10 CE 1689	SPRING	1	—	C	CJ8
11626	10-20 CE 4301A/ND	UNIT , control, less motor and drive shaft, assembly (Pre Mod. 794)	1	—	P	CJ8
15960	10-20 CE 4733A/ND	UNIT , control, less motor and drive shaft, assembly (Mod. 794)	1	—	P	CJ8
20191	AS.900/39P	CHAIN	1	—	C	
	10 CE 1669A	DIAL , assembly	1	—	—	CJ8
3547	10 CE 1671	DIAL	1	—	C	CJ8
3600	6 CF 137	GEAR , planet	1	—	C	CJ8

CONTROLS

THROTTLE BOX AND L.H. CONSOLE ARRANGEMENT

Ref. No.	Part No.	Description	No. off	Material Specification	Class of Store or L.M.	Plate No.
3546	10 CF 1673	PIECE, distance	1	—	C	CJ8
	6 CF 147ND	WASHER, packing, 18 SWG	1	L.72	—	CJ8
3533	10 CE 1697	GEAR	1	—	C	CJ8
3540	10 CE 1693	GEAR, bevel	1	—	C	CJ8
3548	10 CE 1663A	HANDWHEEL, assembly	1	—	P	CJ8
		Spares for :—				
3549	10 CE 1667	BUSH	1	—	C	CJ8
	10-20 CE 799A	HOUSING, control, assembly	1	—	—	CJ8
		Spares for :—				
3550	10 CE 1657	BUSH, flanged	1	—	C	CJ8
3551	10-20 CE 1823	BUSH, flanged	1	—	C	CJ8
3552	10-20 CE 731	BUSH, flanged	1	—	C	CJ8
5735	6 CF 129A	INDICATOR, assembly	1	—	C	CJ8
3535	10-20 CE 1819	PINION, bevel	1	—	C	CJ8
3541	10 CE 1705	PLATE, retaining, 16 SWG	1	—	C	CJ8
		Attachments for 10 CE 1705, Plate :—				
28D/1008149	A25/2B	Bolt, 4 BA	2	—	C	
28M/10287	AGS.2001/B/1	Nut, 4 BA	2	—	C	
		SELECTOR, group	1	—	—	
11627	10-20 CE 4247	ACTUATOR, micro switch, 26 SWG (Pre Mod. 794)	1	—	C	CJ8
15963	10-20 CE 4723	ACTUATOR, micro switch, 28 SWG (Mod. 794)	1	—	C	CJ8
28M/5808573	A27/CS	NUT, 2 BA (Pre Mod. 794)	1	—	C	
15961	10-20 CE 4623	NUT, slotted, 2 BA (Mod. 794)	1	—	C	CJ8
28M/1006473	A27/CT	NUT, 2 BA	1	—	C	
28P/9527619	SP.90/C7	PIN, split (SP.9/CB)	1	—	C	
28W/1006946	AGS.2035/C	WASHER, shakeproof	1	—	C	
3542	10-20 CE 1831A	SELECTOR, assembly (Pre Mod. 794)	1	—	P	CJ8
15962	10-20 CE 4741A	SELECTOR, assembly (Mod. 794)	1	—	C	CJ8
	10-20 CE 1821	LEVER	1	L.64	—	CJ8
	10-20 CE 1677ND	PIN, ground steel, $\frac{5}{16}$ " dia. x $\frac{3}{8}$ " long (Make from DHS.94/6/90)	1	S.96	—	CJ8
	10-20 CE 1829	ROD, push (Pre Mod. 794)	1	S.1	—	CJ8
	10-20 CE 4613	ROD, push (Mod. 794)	1	L.93	—	CJ8
3544	10 CE 1703	SPRING	1	—	C	CJ8
	AS.2809/4/060	TUBE, distance, $\frac{1}{4}$ " o/d x 22SWG x 0'-60 long	1	L.62	LM	CJ8
28W/9419402	SP.13/C	WASHER (Pre Mod. 794)	3	—	C	
28W/9419454	SP.10/C	WASHER (Mod. 794)	2	—	C	
3536	10-20 CE 793	SHAFT, gear	1	—	C	CJ8
		Attachments for 10-20 CE 793, Shaft :—				
28N/1007951	AGS.2031/2	Circlip	1	—	C	
28W/9419468	SP.13/N	Washer	1	—	C	
3534	10 CE 1621	SHIM, bevel pinion	QR	—	C	CJ8
3539	10-20 CE 1825	SHIM, gear shaft and bevel gear	QR	—	C	CJ8
3538	10-20 CE 1827	SHIM, gear shaft and bevel gear	QR	—	C	CJ8

CONTROLS

THROTTLE BOX AND L.H. CONSOLE ARRANGEMENT

Ref. No.	Part No.	Description	No. off						Material Specification	Class of Store or L.M	Plate No.
			1	2	3	4	5	6			
3537	10-20 CE 795	SPROCKET Attachments for 10-20 CE 801A/1 or 10-20 CE 4711A, Control Unit :—						1	—	C	CJ8
28D/13128	AS.3294/2C	Bolt, 2 BA (Parkerise P.10, matt black)						3	—	C	
28D/9133012	A25/3C	Attachments for 10-20 CE 4537A, Console :—						1	—	C	
28D/1013284	AS.1248/2C	Bolt, 2 BA						1	—	C	
28VV/9419402	SP.13/C	Washer						1	—	C	
28VV/9419404	SP.16/C	Washer						1	—	C	
—	—	CONTROLS , undercarriage, in cockpit, group (Drg. No. 10-20 CE 2679)						1	—	—	
4056	10 CE 1507A	BRACKET , undercarriage control, at frame 96", assembly Spares for :—						1	—	P	CJ7
7213	DHS.419/2/E/".70	BUSH (See Repair Section PA)						1	—	C	CJ7
16594	10-20 CE 4755ND	Attachments for 10 CE 1507A, Bracket :—						4	—	C	CJ7
28VV/9419402	SP.13/C	Washer						4	—	C	
—	—	ELECTRICAL COMPONENTS (See sub-section EBS)						—	—	—	
17029	10-20 CE 4779A	LEVER , undercarriage control, assembly (Mod. 1114)						1	—	C	CJ7
17031	10-20 CE 4781	KNOB (Mod. 1114)						1	—	C	CJ7
4043	10-20 CE 2311	Attachments for 10-20 CE 4781, Knob :—						1	—	C	CJ7
17030	10-20 CE 4785	Clip, spring, 24 SWG						1	—	C	CJ7
—	10-20 CE 2687	Pin, shouldered (Mod. 1114)						1	—	C	CJ7
4170	DHS.94/3/55	LEVER						1	L.53	—	CJ7
28P/19234	SP.90/E8	PIN , ground steel						1	—	C	CJ7
28P/9451803	SP.28/E6	PIN , split (SP.9/E10)						1	—	C	
17032	10-20 CE 4783	PIN , taper						1	—	C	
4046	10 CE 35	PLUNGER , assembly (Mod. 1114)						1	—	C	CJ7
4047	10-20 CE 1317	SPRING						1	—	C	CJ7
4045	10-20 CE 2313	TONGUE						1	—	C	CJ7
—	—	WASHER						1	—	C	CJ7
28D/12476	AS.1248/13E	Attachments for 10-20 CE 4779A, Lever :—						1	—	C	
28M/1011467	A27/ES	Bolt, 1/4" BSF						1	—	C	
28P/9527619	SP.90/C7	Nut, 1/4" BSF						1	—	C	
28VV/9418921	SP.13/E	Pin, split (SP.9/C8)						1	—	C	
—	—	Washer						1	—	C	
4048	10 CE 93A	ROD , connecting, assembly						1	—	P	CJ7
28R/13507	HOFFMANN CF.2A	BEARING , rod end						1	—	C	
28R/13508	HOFFMANN CF.2LA	BEARING , rod end						1	—	C	
—	10 CE 95	END , screwed						1	L.64	—	CJ7
—	10 CE 97	END , screwed						1	L.64	—	CJ7
28M/1011470	A27/GT	NUT , 5/16" BSF						1	—	C	
28M/13464	A27/GTL	NUT , 5/16" BSF						1	—	C	

CONTROLS

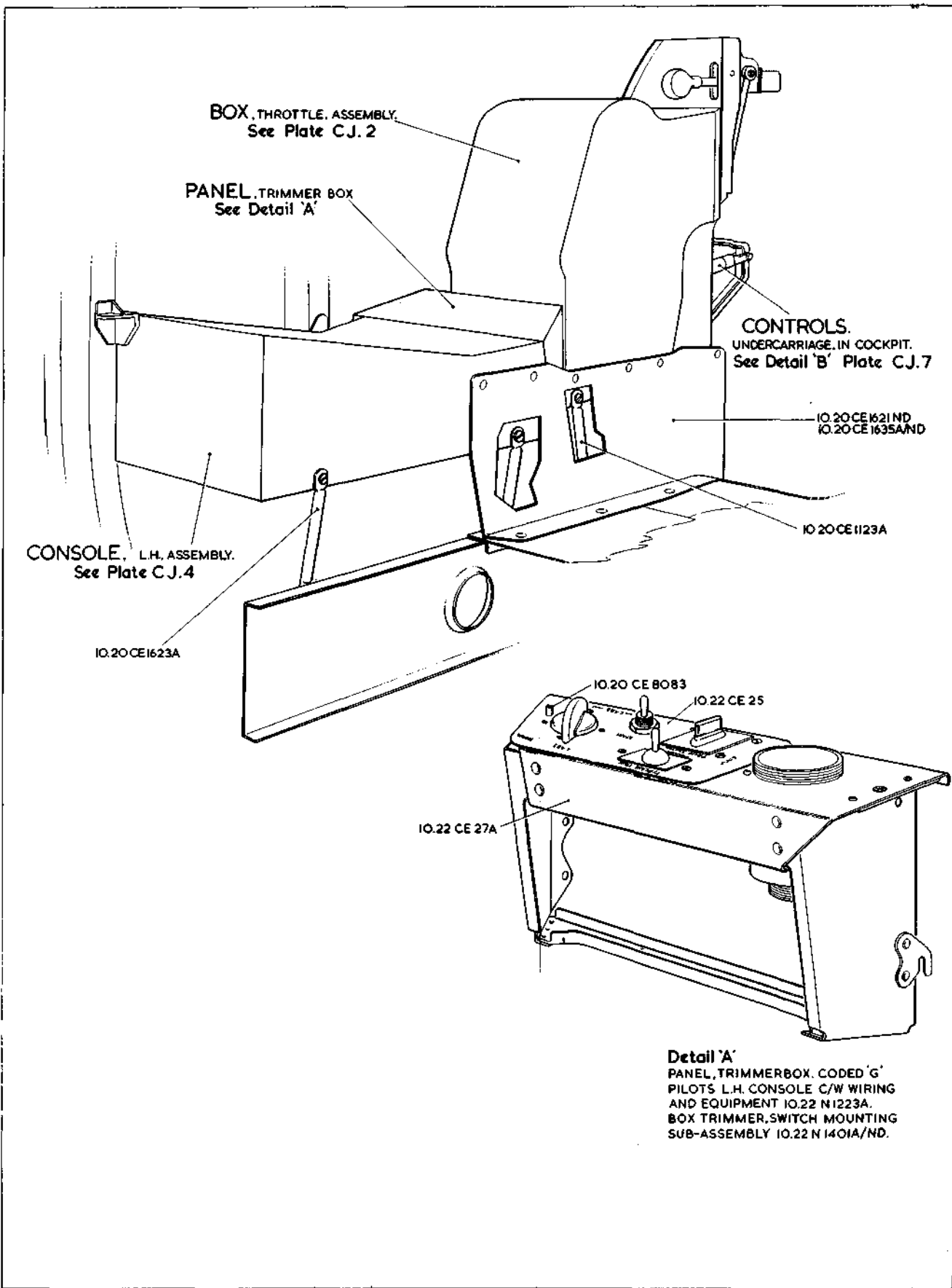
THROTTLE BOX AND L.H. CONSOLE ARRANGEMENT

Ref. No.	Part No.	Description	No. off	Material Specification	Class of Store or L.M.	Plate No.
	10 CE 99ND	TUBE , 1/2" o/d x 20 SWG	1	L.63	LM	CJ7
2044	DHS.94/4/65	Attachments for 10 CE 99ND, Tube :— Pin, ground steel, 1/8" dia.	4	—	C	CJ7
28D/1215669	A59/13C	Attachments for 10 CE 93A, Rod :— Bolt, 2 BA	1	—	C	
4049	10 CE 1519	Bolt	1	—	C	CJ7
28M/5808573	A27/CS	Nut, 2 BA	1	—	C	
4050	10 CE 1521	Nut	1	—	C	CJ7
28P/9527619	SP.90/C7	Pin, split (SP.9/C8)	2	—	C	
28W/9419402	SP.13/C	Washer	1	—	C	
15037	10-20 CE 4695A	STRUT , compression, assembly (Mod. 647) ...	1	—	P	CJ7
4054	10 CE 1503	BARREL , spring (large)	1	—	C	CJ7
4052	10 CE 1501	BARREL , spring (small)	1	—	C	CJ7
28S/—	A41/C8	SCREW , barrel locking, 2 BA	1	—	C	
15038	10-20 CE 4565	SPRING , 16 SWG (Mod. 647)	1	—	C	CJ7
4055	10 CE 1509	Attachments for 10-20 CE 4695A, Strut :— Bolt	1	—	C	CJ7
28M/5808573	A27/CS	Nut, 2 BA	1	—	C	
28P/9527619	SP.90/C7	Pin, split (SP.9/C8)	1	—	C	
28W/9419402	SP.13/C	Washer	1	—	C	
	10-22 N 1223A	PANEL , trimmer box, coded "G," Pilot's L.H. console, complete with wiring and equipment, assembly (Mod. 1149)	1	—	—	CJ1
	10-22 N 1401A/ND	BOX , trimmer, switch mounting, sub-assembly Spares for :—	1	—	—	CJ1
	10-22 CE 25	LABEL , 18 SWG	1	L.72	LM	CJ1
18336	10-22 CE 27A	MOUNTING , box, trimmer, switch, assembly	1	—	C	CJ1
18337	10-20 CE 8083	STOP , switch	1	—	C	CJ1
	—	ELECTRICAL COMPONENTS (See sub-section EAA)	—	—	—	—
	—	INDICATOR , aileron and rudder trim (See sub-section EAP)	—	—	—	—
28D/9137409	AS.1246/2C	Attachments for 10-22 N 1223A, Panel :— Bolt, 2 BA	3	—	C	
28D/1214372	AS.4598/1C	Bolt, 2 BA (Parkerise P.10, matt black)	1	—	C	
28D/1214373	AS.4598/2C	Bolt, 2 BA (Parkerise P.10, matt black)	1	—	C	
28W/9419402	SP.13/C	Washer	3	—	C	
4058	10-20 CE 1635A/ND	SCREEN , side, assembly	1	—	C	CJ1
29G/4171	CARR 671	BUTTON (black)	13	—	C	
	10-20 CE 1621ND	SCREEN , side, Vynide cloth, matt black, finish 1011	1	V.38	—	CJ1
29G/4136	CARR 548	SOCKET	13	—	C	
3950	10-20 CE 1623A	STRUT , L.H. Console to longitudinal beam, assembly	2	—	C	CJ1
28D/1013284	AS.1248/2C	Attachments for 10-20 CE 1623A, Strut :— Bolt, 2 BA	2	—	C	
4057	10-20 CE 1123A	STRUT , throttle box to longitudinal beam, assembly	1	—	C	CJ1
28D/1013284	AS.1248/2C	Attachments for 10-20 CE 1123A, Strut :— Bolt, 2 BA	2	—	C	

CONTROLS

THROTTLE BOX AND L.H. CONSOLE ARRANGEMENT

Ref. No.	Part No.	Description						No. of	Material Specification	Class of Store or L.M	Plate No.
		1	2	3	4	5	6				

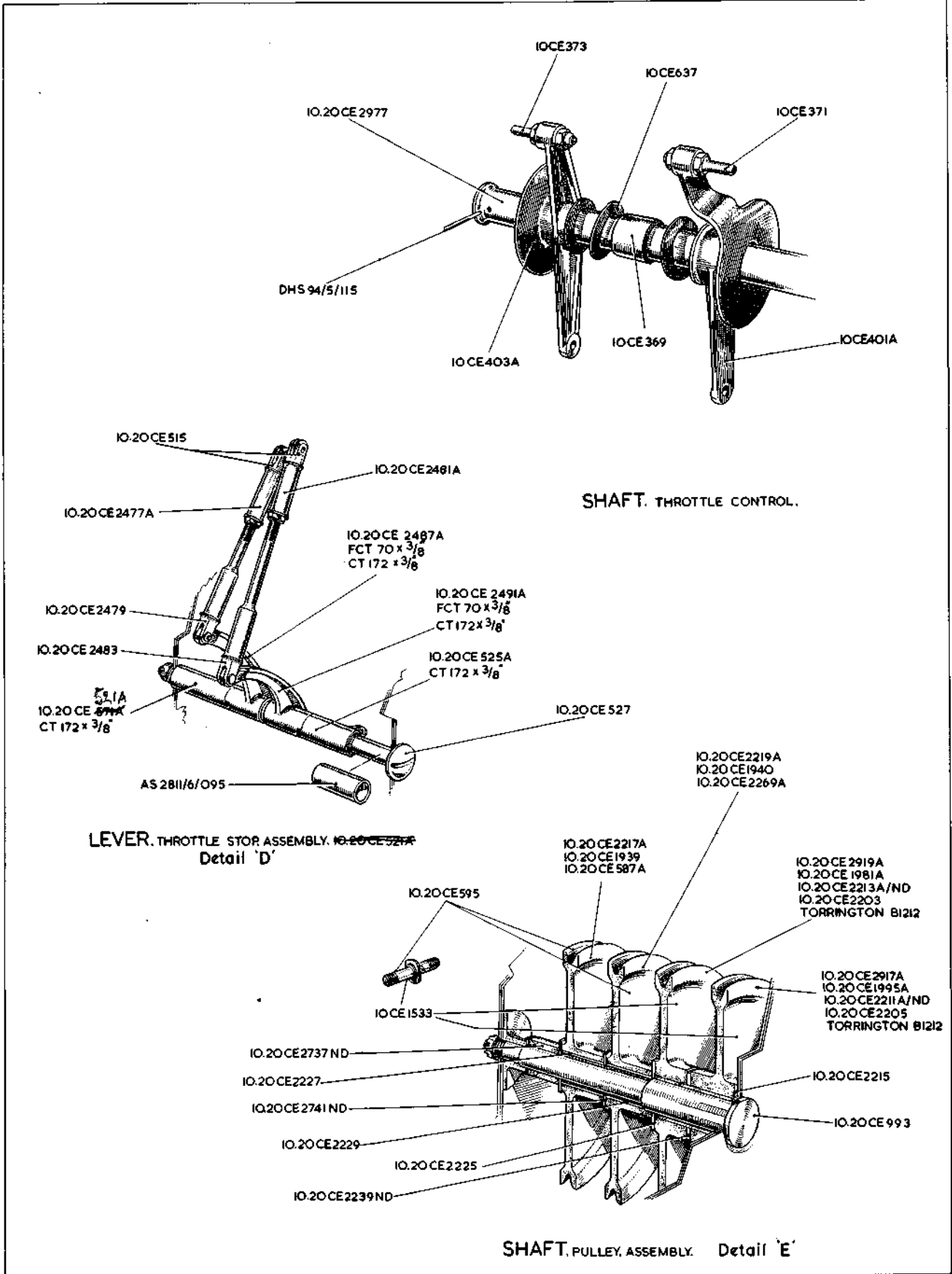


CJ. 1

FUSELAGE

CJ. 1
[AL.56]

THROTTLE BOX AND L.H. CONSOLE

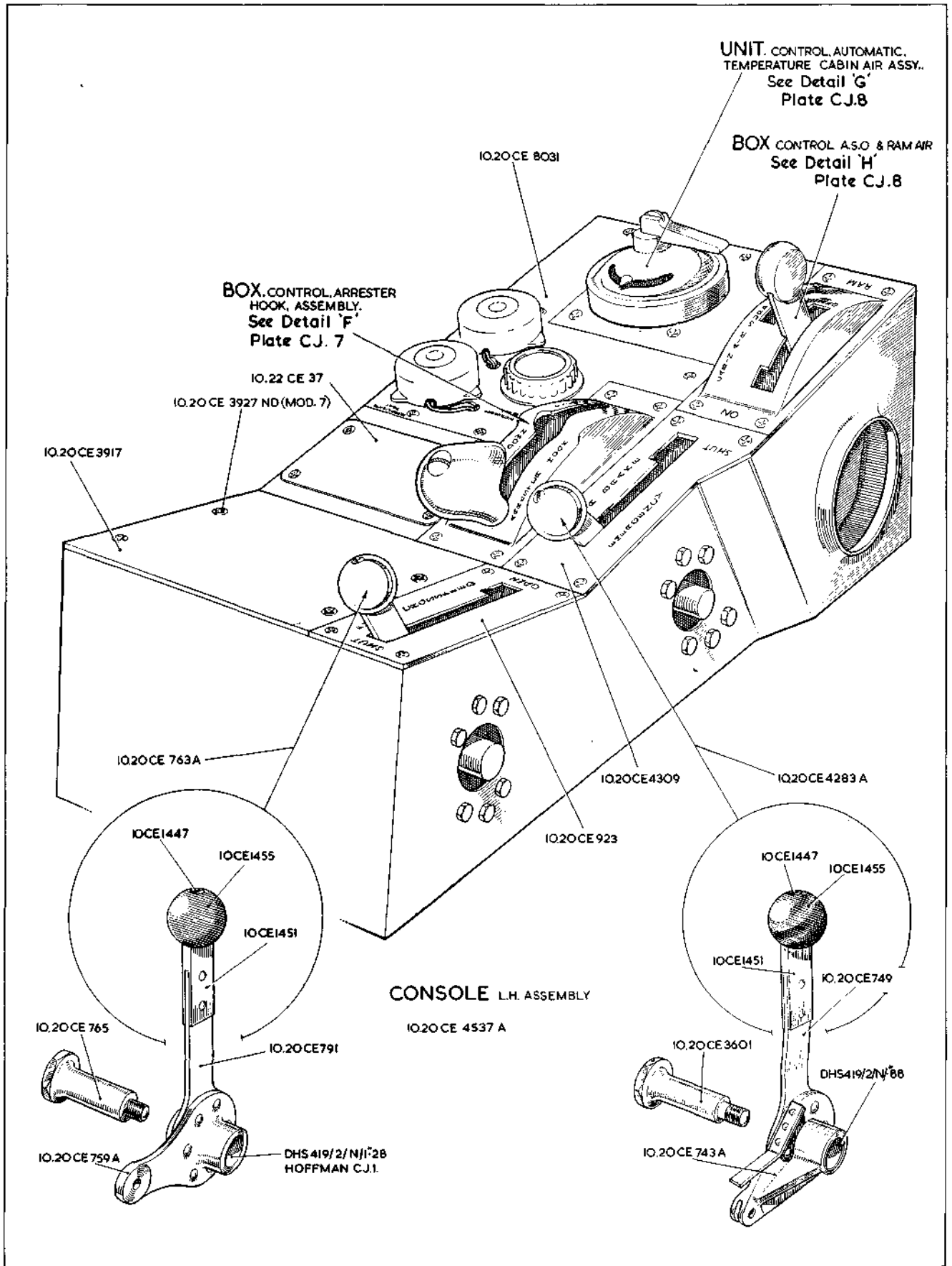


CJ.3

FUSELAGE

CJ.3

THROTTLE BOX AND L.H. CONSOLE

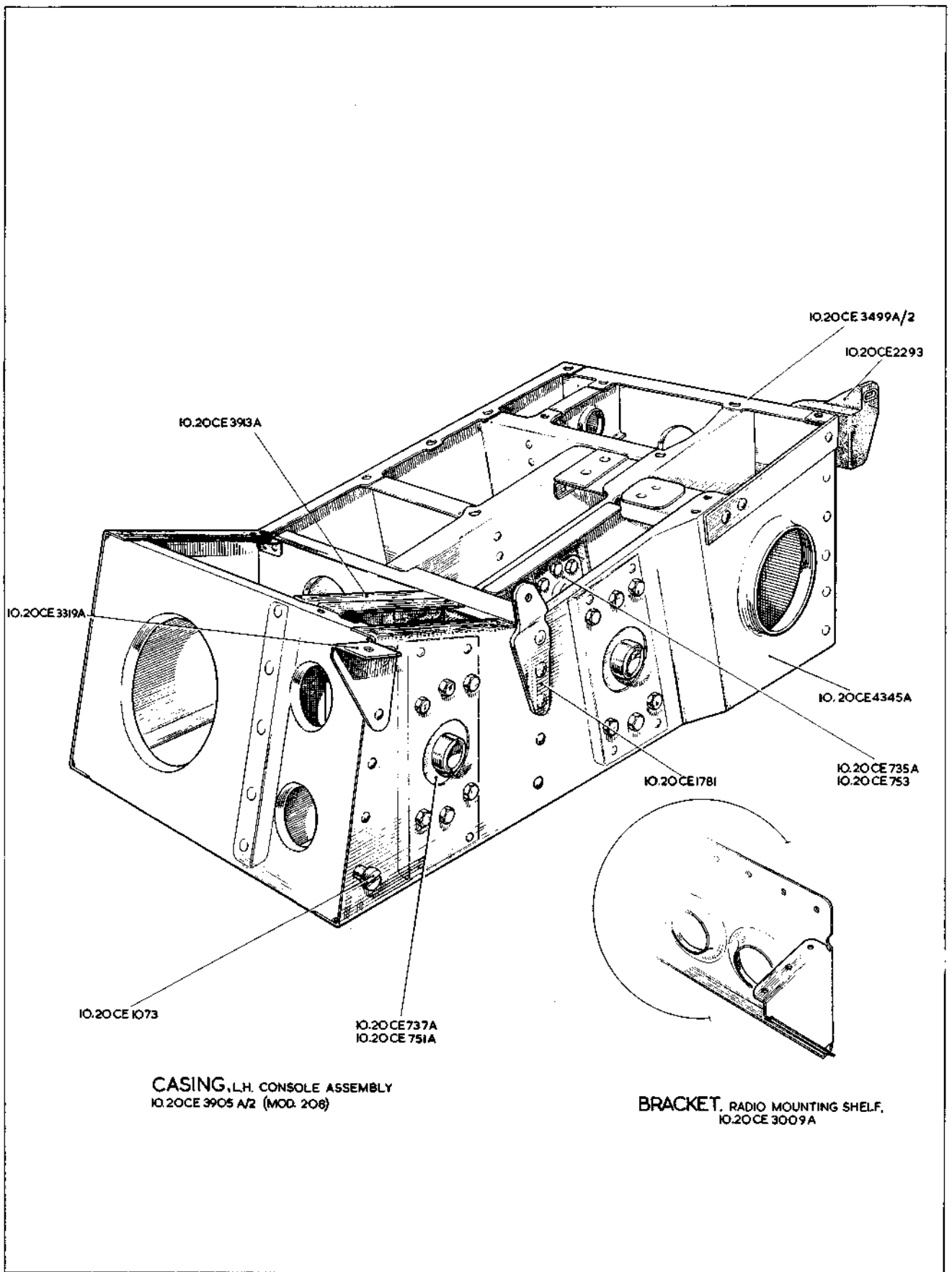


CJ.4

FUSELAGE

CJ.4
[AL.62]

THROTTLE BOX AND L.H. CONSOLE

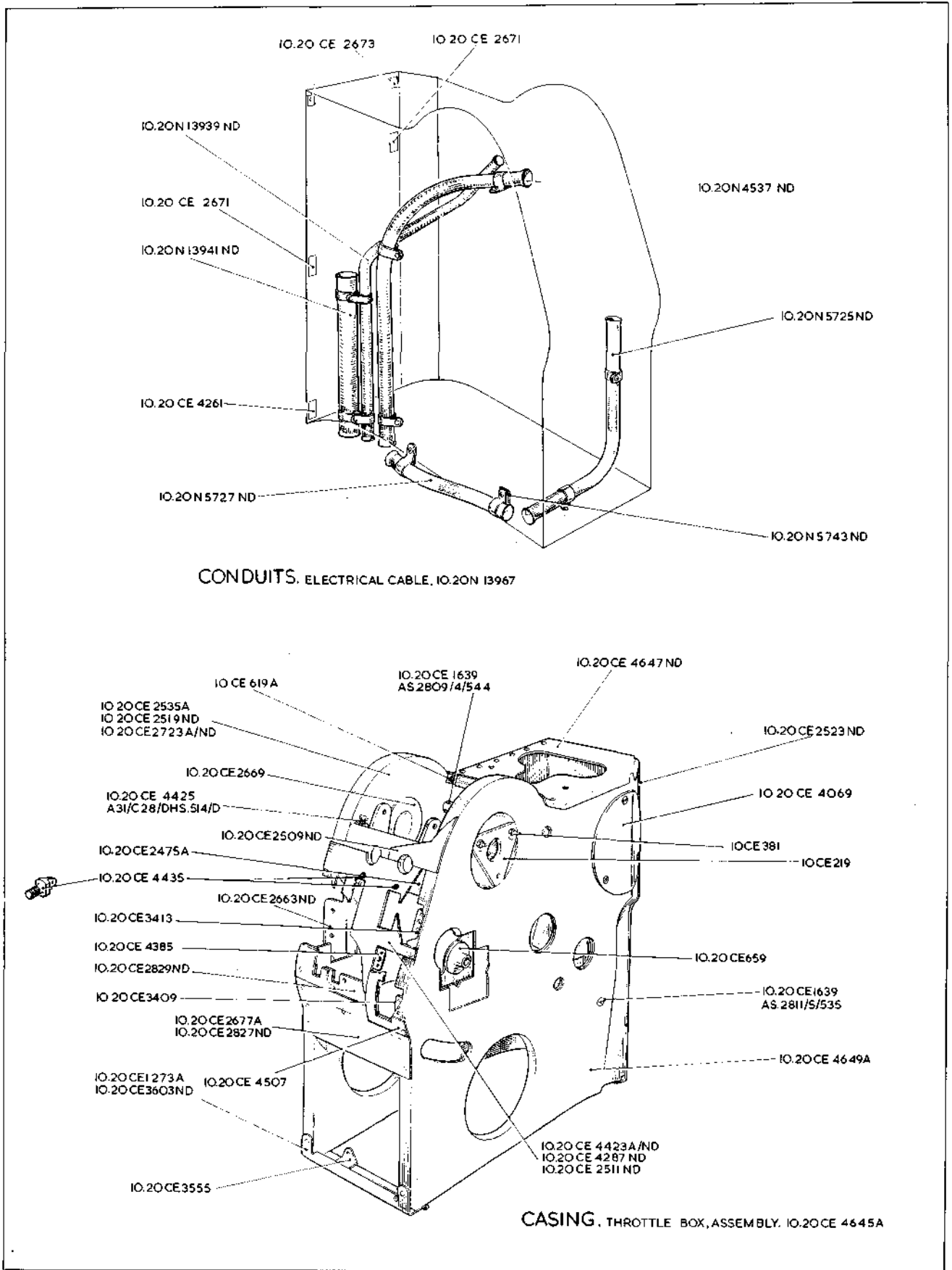


CJ.5

FUSELAGE

CJ.5
[AL.56]

THROTTLE BOX AND L.H. CONSOLE



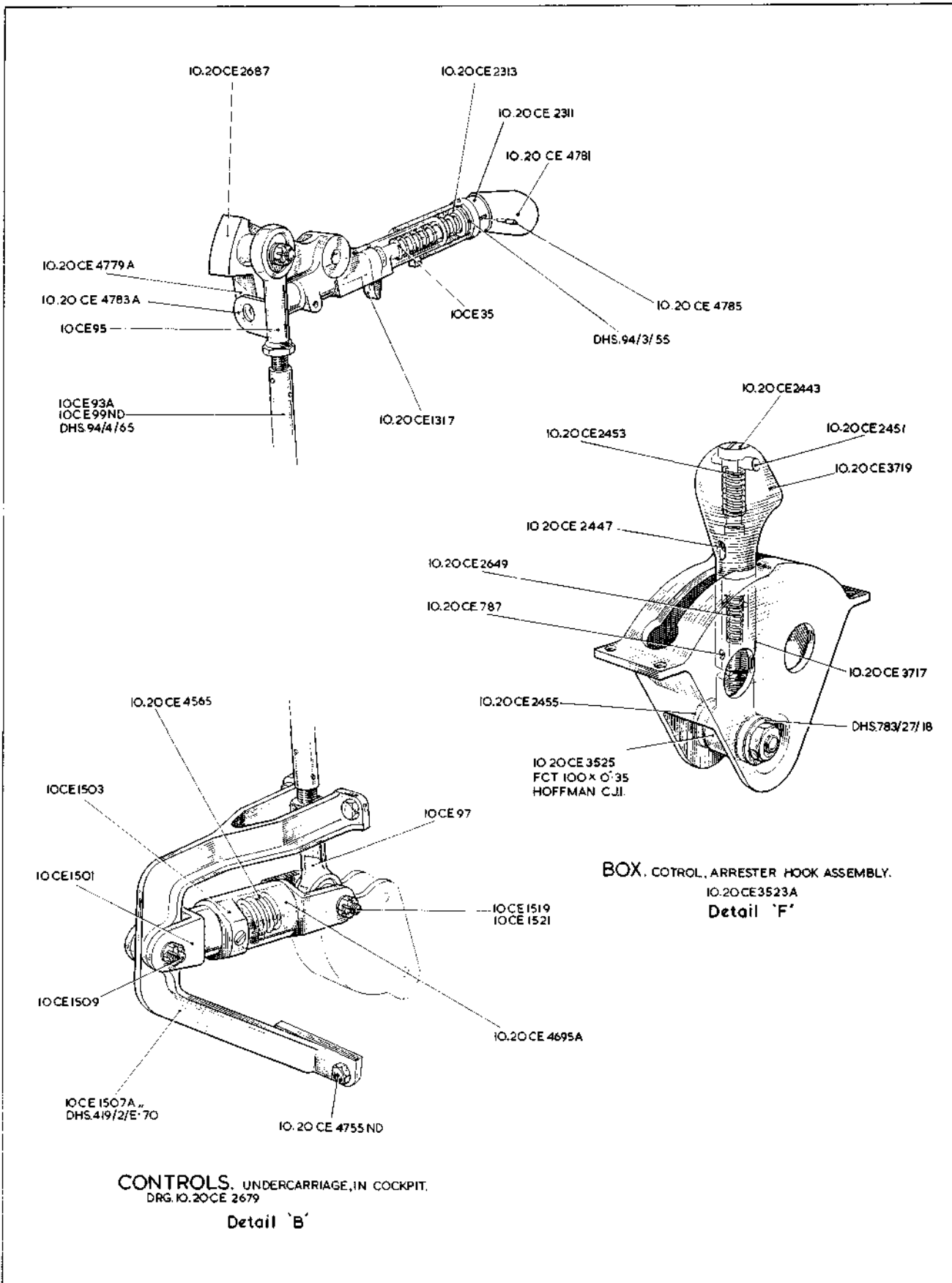
CJ. 6

FUSELAGE

CJ. 6

THROTTLE BOX AND L.H. CONSOLE

[A.L.26]



CJ.7

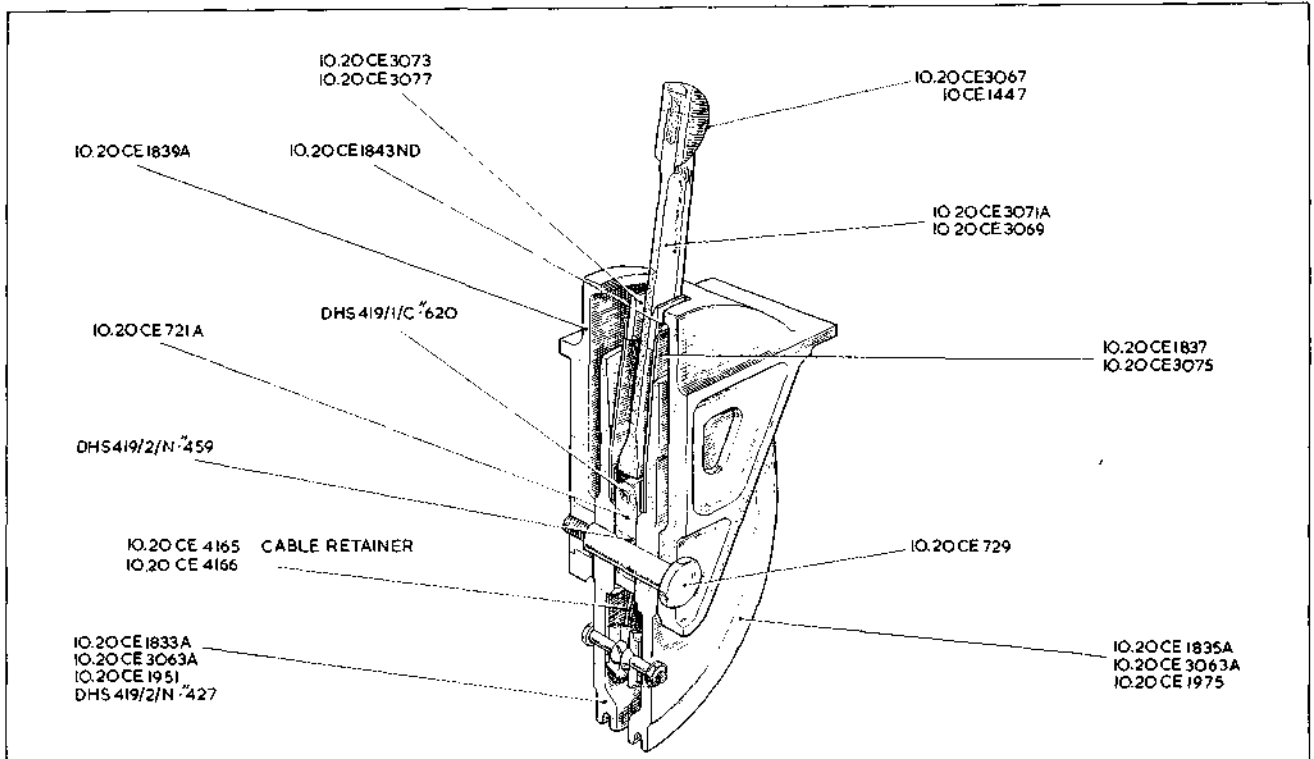
FUSELAGE

THROTTLE BOX AND L.H. CONSOLE

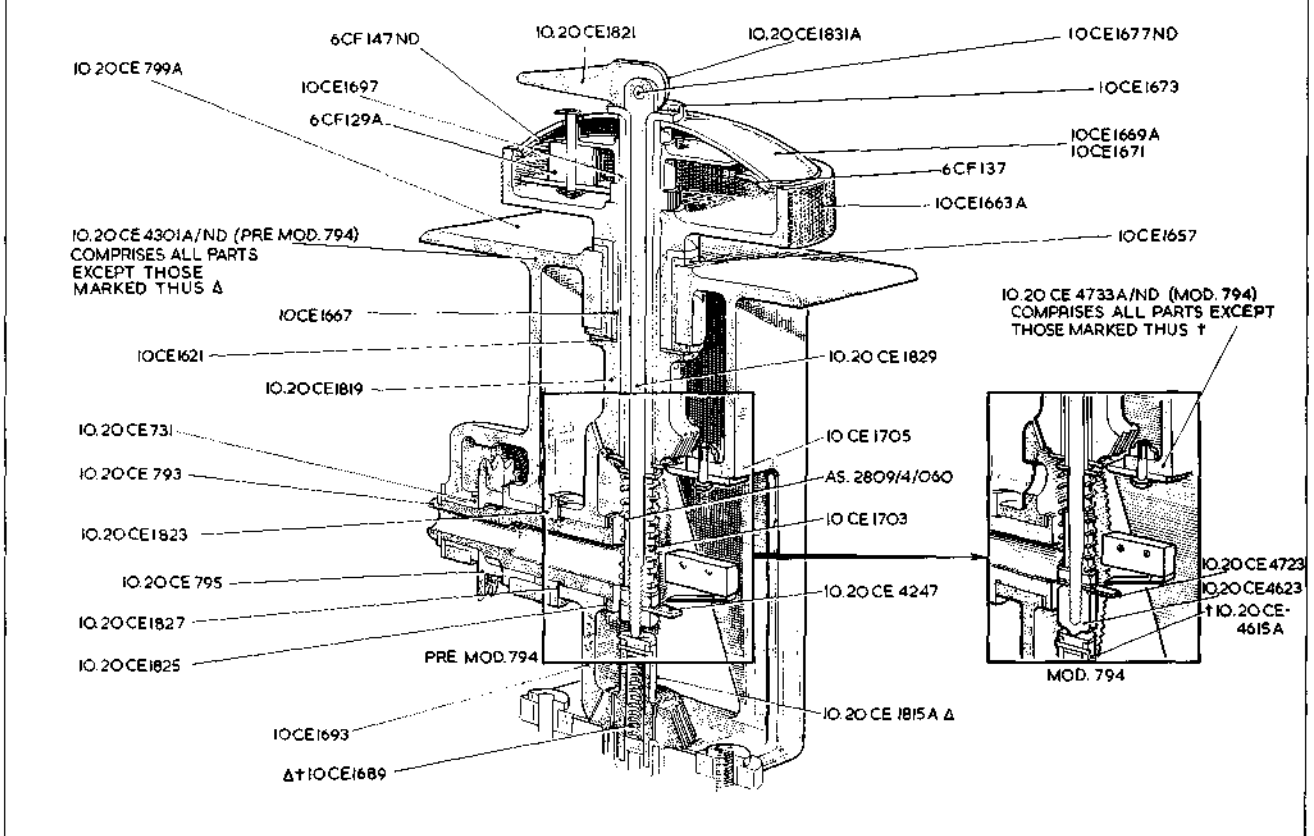
RESTRICTED

CJ.7

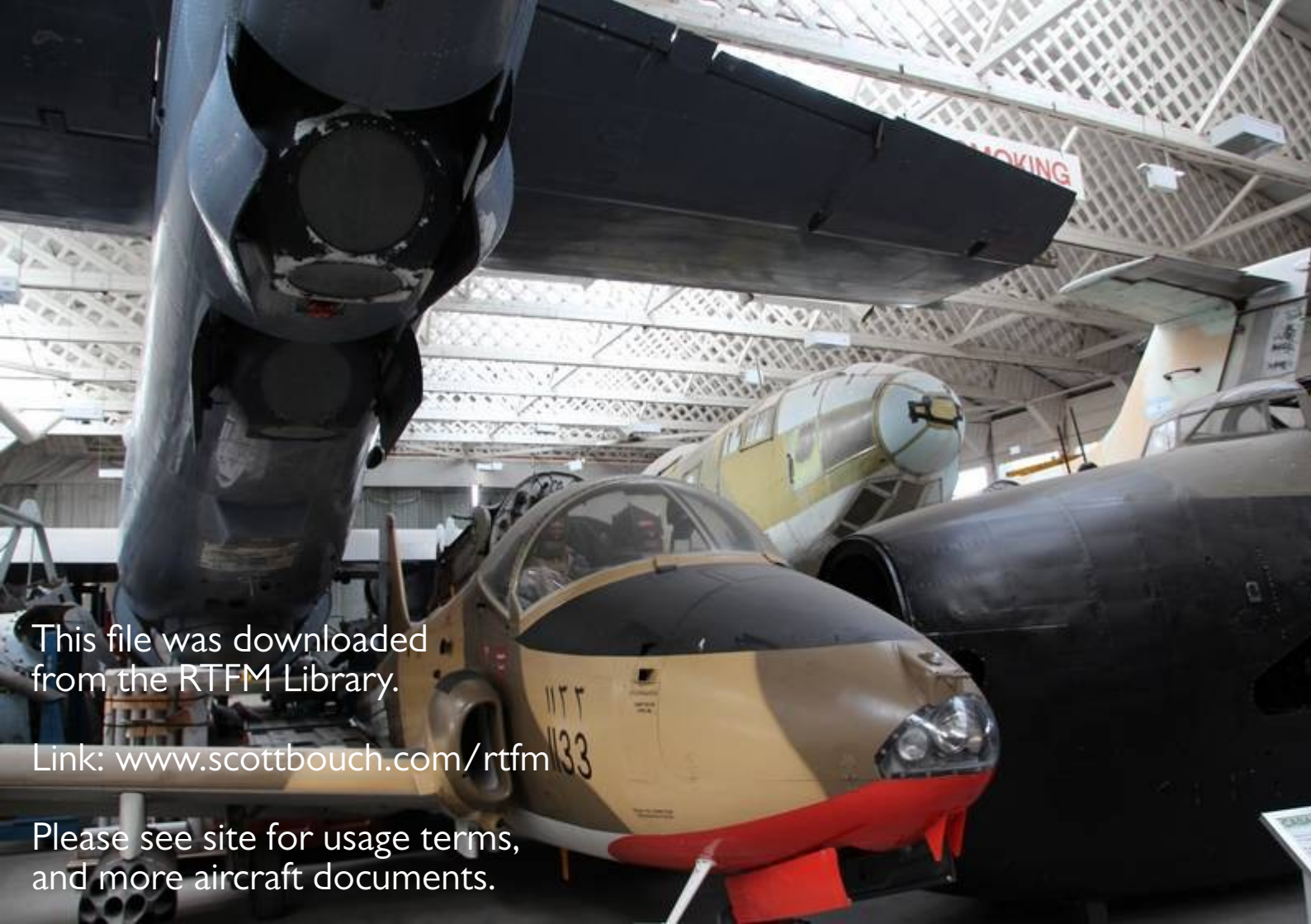
[A.L.26]



BOX. CONTROL. A.S.O. & RAM AIR. IO.20 CE 1845 A Detail H



UNIT. CONTROL. IO.20 CE 801 A/1 Detail G (PRE MOD. 794)
UNIT CONTROL. IO.20 CE 4711 A Detail G (MOD. 794)



This file was downloaded
from the RTFM Library.

Link: www.scottbouch.com/rtfm

Please see site for usage terms,
and more aircraft documents.