

**CONTROLS**

**R.H. CONSOLE CONTROLS ARRANGEMENT**

Ref. No.	Part No.	Description	No. off	Material Specification	Class of Store or L.M.	Place No.
	—	<b>CONTROLS FROM R.H. CONSOLE TO RIB No. 4</b> (Drg. Nos. 10-20 CE 2997, 10-20 CE 3201 and 10-20 CE 3202)	1	—	—	
10462	10-20 CE 2067	<b>CABLE</b> , wing-lock/unlock, coded No. 25, Port, assembly	1	—	C	CL1
11789	10-20 CE 2039	<b>CABLE</b> , wing-lock/unlock, coded No. 25, along front spar to rib No. 4, Port, assembly	1	—	C	CL1
		Attachments for 10-20 CE 2039, Cable :—				
28P/1013002	SP.4Y/B9	Pin, shackle	1	—	C	
28P/9527619	SP.90/C7	Pin, split (SP.9/C8)	1	—	C	
28VV/9419402	SP.13/C	Washer	1	—	C	
11787	10-20 CE 2037	<b>CABLE</b> , wing-lock/unlock, coded No. 26, along front spar to rib No. 4, Port, assembly	1	—	C	CL1
		Attachments for 10-20 CE 2037, Cable :—				
28P/867	SP.4Y/D9	Pin, shackle	1	—	C	
28P/9527619	SP.90/C7	Pin, split (SP.9/C8)	1	—	C	
28VV/9419402	SP.13/C	Washer	1	—	C	
10461	10-20 CE 2065	<b>CABLE</b> , wing-lock/unlock, coded No. 26, Port, assembly	1	—	C	CL1
10464	10-20 CE 2068	<b>CABLE</b> , wing-lock/unlock, coded No. 27, Starboard, assembly	1	—	C	CL1
11790	10-20 CE 2040	<b>CABLE</b> , wing-lock/unlock, coded No. 27, along front spar to rib No. 4, Starboard, assembly	1	—	C	CL1
		Attachments for 10-20 CE 2040, Cable :—				
28P/1013002	SP.4Y/B9	Pin, shackle	1	—	C	
28P/9527619	SP.90/C7	Pin, split (SP.9/C8)	1	—	C	
28VV/9419402	SP.13/C	Washer	1	—	C	
11788	10-20 CE 2038	<b>CABLE</b> , wing-lock/unlock, coded No. 28, along front spar to rib No. 4, Starboard, assembly	1	—	C	CL1
		Attachments for 10-20 CE 2038, Cable :—				
28P/867	SP.4Y/D9	Pin, shackle	1	—	C	
28P/9527619	SP.90/C7	Pin, split (SP.9/C8)	1	—	C	
28VV/9419402	SP.13/C	Washer	1	—	C	
10463	10-20 CE 2066	<b>CABLE</b> , wing-lock/unlock, coded No. 28, Starboard assembly	1	—	C	CL1
10466	10-20 CE 2069	<b>CABLE</b> , wing-fold/spread, coded No. 29, assembly	1	—	C	CL1
10465	10-20 CE 2073	<b>CABLE</b> , emergency hydraulic pump, coded No. 31, assembly	1	—	C	CL1
10467	10-20 CE 2071	<b>CABLE</b> , wing-fold/spread, coded No. 32, assembly	1	—	C	CL1
	—	<b>PULLEY</b> , c/w bracket at nose rib No. 2, group (Drg. No. 10-20 WC 15547)	1	—	—	
	10-20 WC 15551A	<b>BRACKET</b> , pulley, L.H., assembly...	1	—	—	CL1
	10-20 WC 15552A	<b>BRACKET</b> , pulley, R.H., assembly	1	—	—	CL1
	10-20 WC 15549A	<b>BRACKET</b> , bare, L.H.	1	—	—	CL1
	10-20 WC 15550A	<b>BRACKET</b> , bare, R.H.	1	—	—	CL1
	DHS.901/16JJ	<b>BOLT</b> , 3/8" BSF	1	—	—	CL1
2892	10-20 CF 3991	<b>BOLT</b> , guard (Lock to DHS.514/D)	2	—	C	CL1
28M/14833	A58/JS	<b>NUT</b>	1	—	C	
28R/13514	AS.103	<b>PULLEY</b> , 2"-0 diameter	1	—	C	
28P/9527619	SP.90/C7	<b>PIN</b> , split (SP.9/C8)	1	—	C	
28VV/9419405	SP.15/E	<b>WASHER</b>	1	—	C	
8856	DHS.783/15/18	<b>WASHER</b>	1	—	C	CL1

**CONTROLS**

**R.H. CONSOLE CONTROLS ARRANGEMENT**

Ref. No.	Part No.	Description						No. off	Material Specification	Class of Store or L.M	Place No.
		1	2	3	4	5	6				
28D/1200119	A25/4C	Attachments for 10-20 WC 15551A or 10-20 W 15552A. Bracket :-									
1655	DHS.358/3C	Bolt, 2 BA ... ..						2	—	C	CL1
28M/5808573	A27/C5	Bolt, 2 BA ... ..						1	—	C	
28P/9527619	SP.90/C7	Nut, 2 BA ... ..						3	—	C	
		Pin, split (SP.9/CB) ... ..						3	—	C	
28U/15097	SP.35/B	<b>ROD</b> , tension, 4 BA, connecting Port wing lock, Starboard wing lock and wing-fold cables						3	—	C	
28U/14774	SP.33/B	<b>TURNBARREL</b> , 4 BA, connecting Port wing lock, Starboard wing lock and wing-fold cables						4	—	C	
		Attachments for SP.35/B, Rod, and SP.33/B, Turnbarrel (per set) :-									
28M/1006504	A27/BT	Nut, 4 BA ... ..						2	—	C	CL1
28M/13141	A27/BTL	Nut, 4 BA ... ..						2	—	C	
	10-20 CE 2751A/1	<b>UNIT</b> , control, wing-fold, assembly ... ..						1	—	—	CL1
4118	10-20 CE 2789	<b>BOLT</b> , shouldered, pulley and lever spindle ... ..						1	—	C	
		Attachments for 10-20 CE 2789, Bolt :-									
28M/13412	A24/JS	Nut, $\frac{3}{8}$ " BSF ... ..						1	—	C	CL1
28P/9527619	SP.90/C7	Pin, split (SP.9/CB) ... ..						1	—	C	
28W/9419466	SP.13/J	Washer ... ..						1	—	C	
	—	<b>ELECTRICAL COMPONENTS</b> (See sub-section EBE)						—	—	—	
	—	<b>GUARD</b> , cable, emergency hydraulic pump, group						1	—	—	
		Spares for :-									
28D/9133013	A25/5C	<b>BOLT</b> , 2 BA ... ..						1	—	C	CL1
28M/1010997	A24/CT	<b>NUT</b> , 2 BA ... ..						1	—	C	
	10-20 CE 8147/ND	<b>TUBE</b> , distance, $\frac{3}{8}$ " o/d x ".50 long ... ..						1	L.65	LM	
4105	10-20 CE 2753A	<b>HOUSING</b> , wing-fold control unit, assembly ... ..						1	—	P	
28N/14393	AS.1909/D	<b>KNOB</b> , pulley lever (Assemble with wet Duralac")						2	—	C	
28D/16368	AS.4563/9C	Bolt, 2 BA (Nuts as supplied with knob)...						1	—	C	
4101	10-20 CE 3241A	<b>LEVER</b> , emergency flying control hydraulic pump, assembly						1	—	P	CL1
		Spares for :-									
4178	DHS.419/1/J/".49	<b>BUSH</b> , plain (See Repair section PA) ... ..						1	—	C	CL1
		Attachments for 10-20 CE 3241A, Lever :-									
4102	10-20 CE 3261	Pin, pivot ... ..						1	—	C	CL1
28P/1009706	SP.4Y/A2	Pin, shackle ... ..						1	—	C	
28P/9527619	SP.90/C7	Pin, split (SP.9/CB) ... ..						1	—	C	
8209	10-20 CE 3747A	<b>LEVER</b> , trip, assembly ... ..						1	—	P	CL1
		Spares for :-									
4184	DHS.4181/1/G/".35	<b>BUSH</b> } (See Repair ... ..						1	—	C	CL1
4185	DHS.418/1/G/".40	<b>BUSH</b> } section PA) ... ..						1	—	C	CL1
	10-20 CE 2941ND	<b>PIN</b> , $\frac{1}{8}$ " dia. ... ..						1	S.1	LM	CL1
		Attachments for 10-20 CE 3747A, Lever :-									
28P/1013112	SP.4Y/F19	Pin, shackle ... ..						1	—	C	
28P/19234	SP.90/E8	Pin, split (SP.9/E10) ... ..						1	—	C	
28W/9419403	SP.13/G	Washer ... ..						1	—	C	

**CONTROLS**

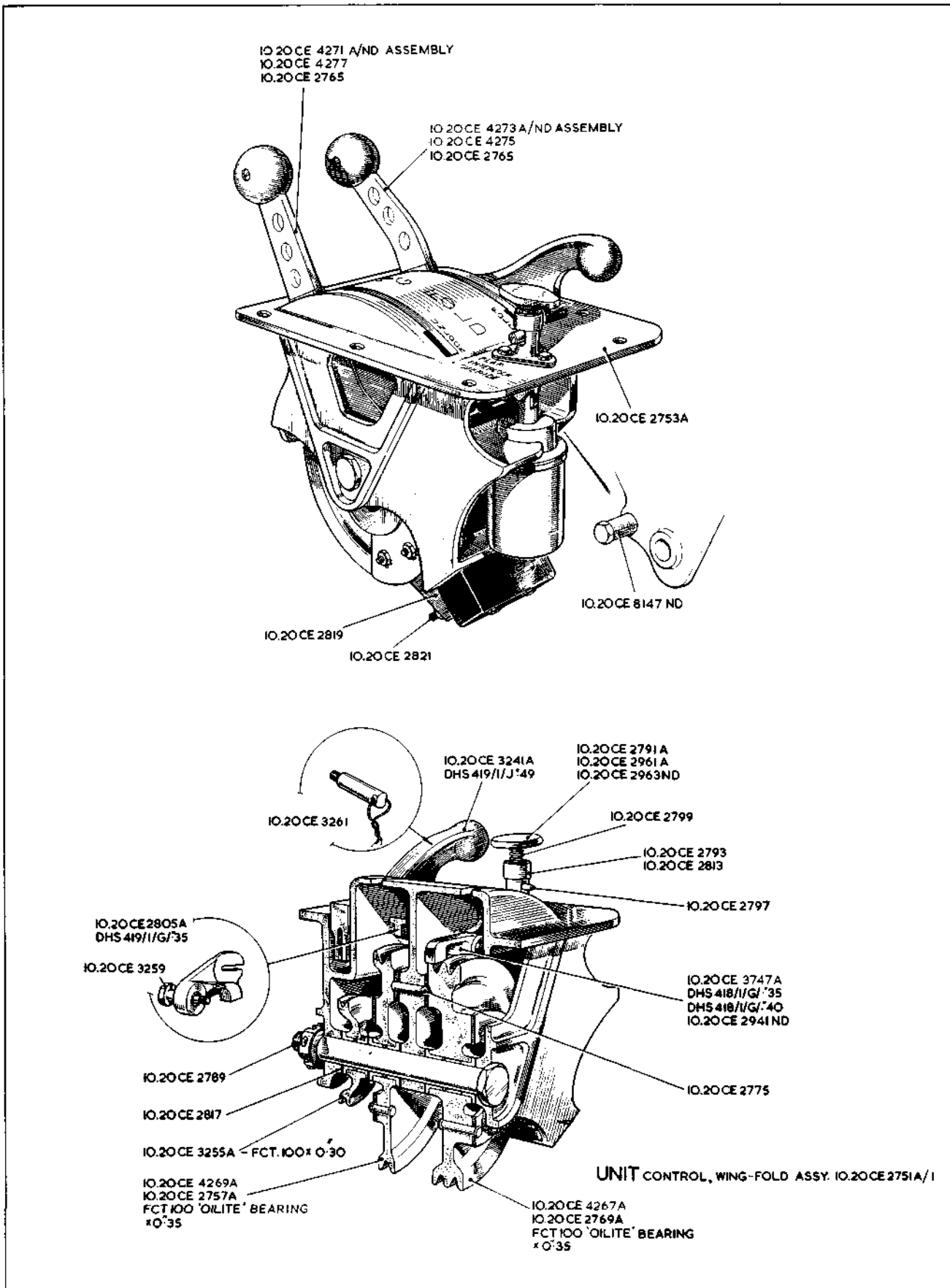
**R.H. CONSOLE CONTROLS ARRANGEMENT**

Ref. No.	Part No.	Description	No. off	Material Specification	Class of Store or L.M	Place No.
4120	10-20 CE 2791A	<b>VERRIDE</b> , flap interlock, assembly ... ..	1	—	P	CL1
	10-20 CE 2793	<b>HOUSING</b> ... ..	1	L.64	—	CL1
4121	10-20 CE 2961A	<b>KNOB</b> , assembly ... ..	1	—	C	CL1
		Spares for :—				
	10-20 CE 2963ND	<b>STUD</b> ... ..	1	S.92	—	CL1
4123	10-20 CE 2797	<b>SCREW</b> , 4 BA ... ..	1	—	C	CL1
4122	10-20 CE 2799	<b>SPRING</b> ... ..	1	—	C	CL1
		Attachments for 10-20 CE 2791A, Override :—				
28D/9133012	A25/3C	Bolt, 2 BA ... ..	3	—	C	
28M/10288	AHS.2001/C/1	Nut, 2 BA ... ..	3	—	C	
4124	10-20 CE 2813	Shim, Attewell ... ..	QR	—	C	CL1
28W/9419402	SP.13/C	Washer ... ..	3	—	C	
4103	10-20 CE 2805A	<b>PAWL</b> , flap interlock override, assembly ...	1	—	P	CL1
		Spares for :—				
4179	DHS.419/1/G/35	<b>BUSH</b> (See Repair section PA) ... ..	1	—	C	CL1
		Attachments for 10-20 CE 2805A, Pawl :—				
4104	10-20 CE 43259	Bolt, 1/2" BSF ... ..	1	—	C	CL1
28M/13935	A58/ES	Nut, 1/2" BSF ... ..	1	—	C	
28P/9527619	SP.90/C7	Pin, split (SP.9/C8) ... ..	1	—	C	
28W/9418920	SP.10/E	Washer ... ..	1	—	C	
4107	10-20 CE 3255A	<b>PULLEY</b> , emergency hydraulic pump, assembly	1	—	P	CL1
		Spares for :—				
4183	MANGANESE BRONZE & BRASS FCT.100	<b>BEARING</b> , "Pilite," 3/32 long ... ..	2	—	C	CL1
	10-20 CE 4269A	<b>PULLEY</b> , and lever wing-fold, assembly (Mod. 337)	1	—	—	CL1
		Spares for :—				
4115	10-20 CE 2045	<b>CABLE</b> , wing-fold, coded No. 29/30, assembly	1	—	C	CL1
		Attachments for 10-20 CE 2045, Cable :—				
28D/1007976	AS.1242/4C	Bolt, 2 BA ... ..	1	—	C	
28M/5808573	A27/CS	Nut, 2 BA ... ..	1	—	C	
28P/9527619	SP.90/C7	Pin, split (SP.9/C8) ... ..	1	—	C	
28W/9419402	SP.13/C	Washer ... ..	1	—	C	
11631	10-20 CE 4273A/ND	<b>LEVER</b> , extension, wing-fold pulley, assembly	1	—	P	CL1
	10-20 CE 4275	<b>LEVER</b> , extension, wing-fold pulley	1	S.510	—	CL1
4112	10-20 CE 2765	<b>PLATE</b> , spring ... ..	1	—	C	CL1
4116	10-20 CE 2757A	<b>PULLEY</b> , assembly ... ..	1	—	P	CL1
		Spares for :—				
3598	MANGANESE BRONZE & BRASS FCT.100	<b>BEARING</b> , "Oilite," 3/32 long ... ..	2	—	C	CL1
	10-20 CE 4267A	<b>PULLEY</b> , and lever wing lock/unlock, assembly	1	—	—	CL1
		Spares for :—				
4111	10-20 CE 2821	<b>BOLT</b> , micro-switch striker ... ..	1	—	C	CL1
		Attachments for 10-20 CE 2821, Bolt :—				
28M/1007403	A27/ET	Nut, 1/2" BSF ... ..	1	—	C	
4110	10-20 CE 2819	<b>BRACKET</b> , wing lock pulley ... ..	1	—	C	CL1
		Attachments for 10-20 CE 2819, Bracket :—				
28D/9140644	A25/9C	Bolt, 2 BA ... ..	2	—	C	
28M/1006473	A27/CT	Nut, 2 BA ... ..	2	—	C	

**CONTROLS**

**R.H. CONSOLE CONTROLS ARRANGEMENT**

Ref. No.	Part No.	Description						No. off	Material Specification	Class of Store or L.M	Plate No.
		1	2	3	4	5	6				
4108	10-20 CE 2033A							1	—	C	CL1
4109	10-20 CE 2034A							1	—	C	CL1
28D/1007978	AS.1242/7C							1	—	C	
28M/5808573	A27/CS							1	—	C	
28P/9527619	SP.90/C7							1	—	C	
11630	10-20 CE 4271A/ND							1	—	P	CL1
	10-20 CE 4277							1	S.510	—	CL1
4112	10-20 CE 2765							1	—	C	CL1
4114	10-20 CE 2769A							1	—	P	CL1
	MANGANESE BRONZE & BRASS Co.										
3598	FCT.100							2	—	C	CL1
4117	10-20 CE 2817							QR	—	C	CL1
4119	10-20 CE 2775							1	—	C	CL1
28W/9419458	SP.10/N							4	—	C	
28D/9435776	AS.3295/1C							7	—	—	

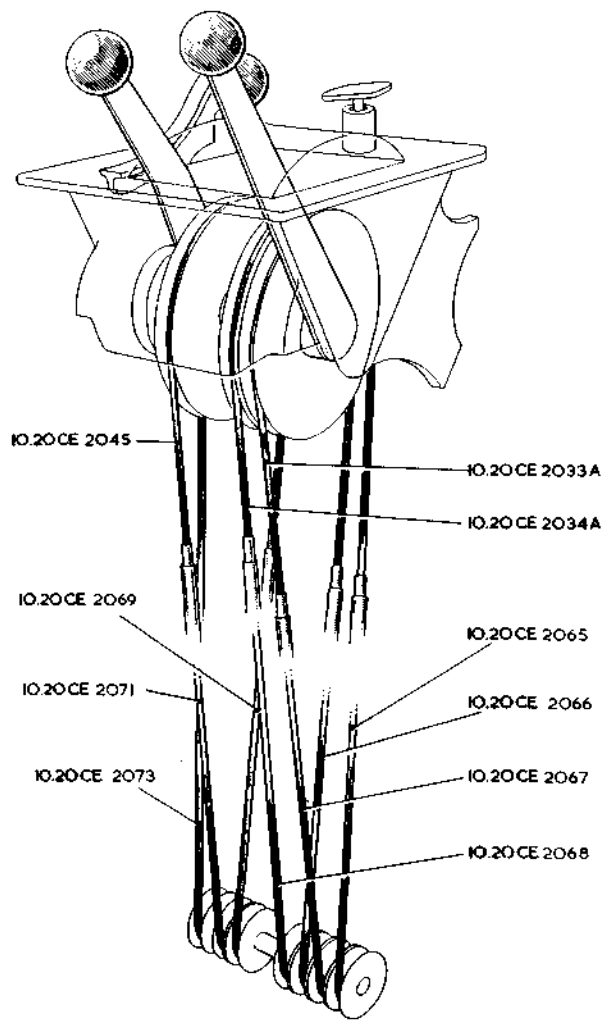
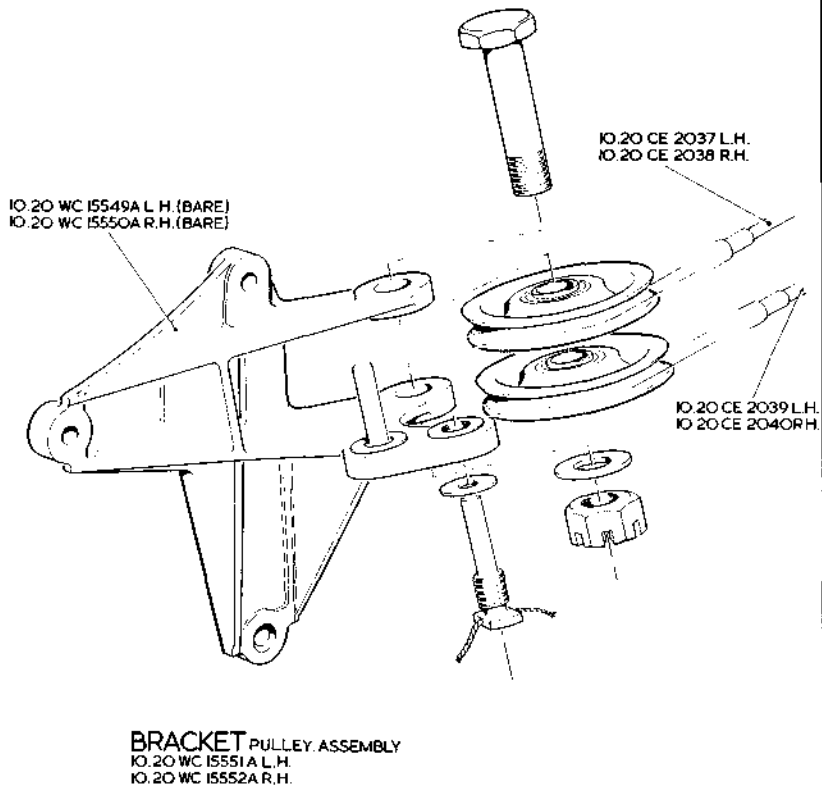


CL.I.

**CONTROLS**  
**R.H. CONSOLE AND CONTROL**  
**CABLES**

CL.I.

[A.L. 66]



CL. 2

**CONTROLS**  
**R. H. CONSOLE AND CONTROL CABLES**

RESTRICTED

CL. 2

[A.L. 66]

This file was downloaded  
from the RTFM Library.

Link: [www.scottbouch.com/rtfm](http://www.scottbouch.com/rtfm)

Please see site for usage terms,  
and more aircraft documents.

