

CONTROLS
UNDERCARRIAGE AND WING-FOLD SELECTOR CONTROLS,
RIB No. 1, STARBOARD

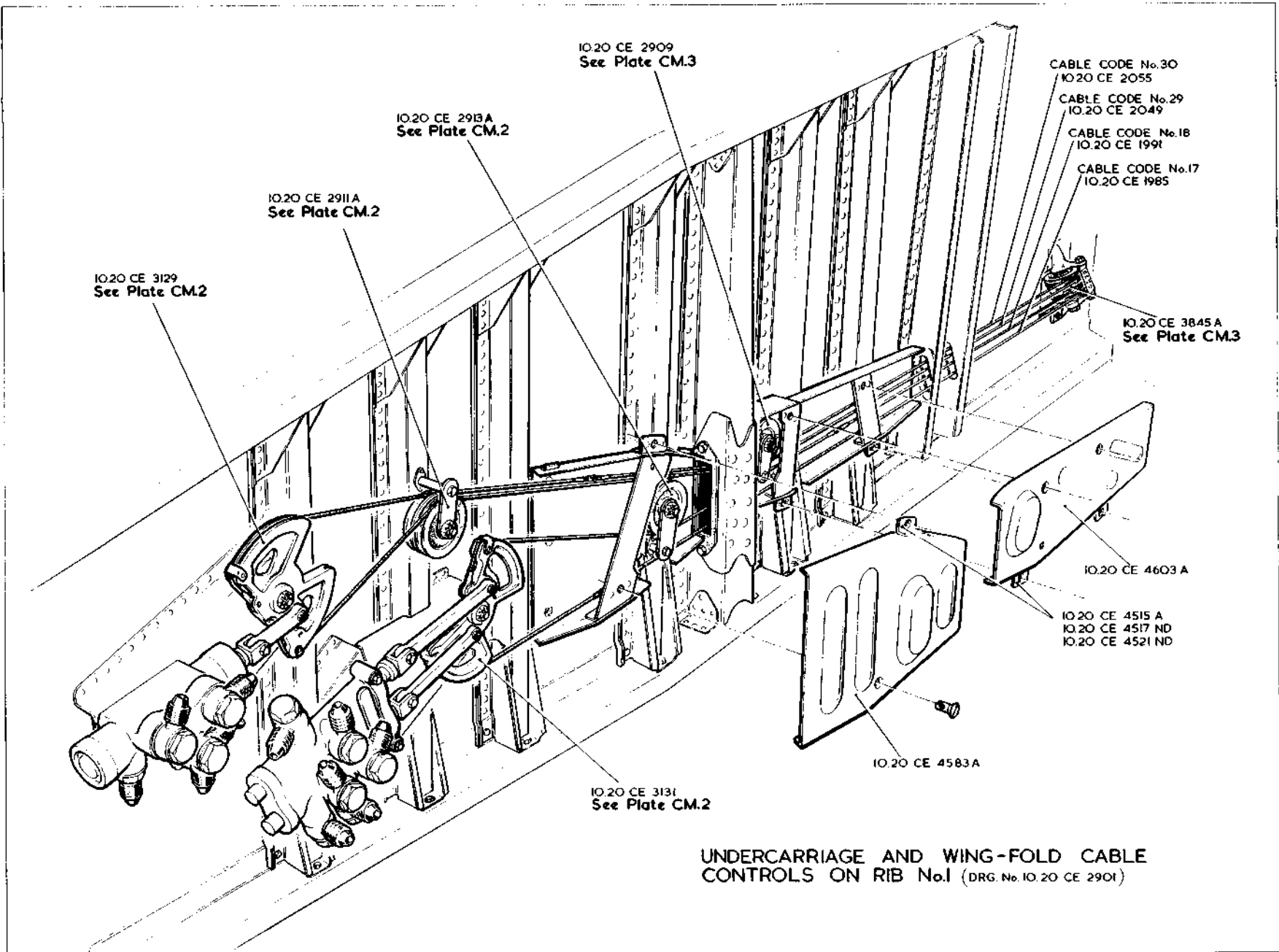
Ref. No.	Part No.	Description	No. off	Material Specification	Class of Score or L.M.	Place No.
	—	G.A. OF UNDERCARRIAGE AND WING-FOLD SELECTOR CONTROLS ON RIB No. 1, AFT OF MAIN SPAR, STARBOARD (Drg. No. 10-20 CE 2901)	1	—	—	
8887	10-20 CE 1985	CABLE , coded No. 17, undercarriage, assembly	1	—	C	CM1
8888	10-20 CE 1991	CABLE , coded No. 18, undercarriage, assembly ...	1	—	C	CM1
8889	10-20 CE 2049	CABLE , coded No. 29, wing-fold, assembly ...	1	—	C	CM1
8890	10-20 CE 2055	CABLE , coded No. 30, wing-fold, assembly ...	1	—	C	CM1
		Attachments for 10-20 CE 1985, 10-20 CE 1991, 10-20 CE 2049 or 10-20 CE 2055, Cable :—				
28P/1009706	SP.4/Y/A2	Pin, shackle	1	—	C	
28P/9527619	SP.90/C7	Pin, split (SP.9/C8)	1	—	C	
	—	PLATES , cover, cables, group (Drg. No. 10-20 CE 3211)	1	—	—	
15408	10-20 CE 4583A	PLATE , cover, aft, assembly (Mod. 588) ...	1	—	C	CM1
		Spares for :—				
	10-20 CE 4515A	BRACKET , angle, assembly	1	—	—	CM1
	10-20 CE 4521ND	ANGLE , 18 SWG	1	L.72	LM	CM1
	10-20 CE 4517ND	PACKING , 20 SWG	1	L.72	LM	CM1
28FP/802	DZUS.EF5/35A/D.S.	FASTENER	1	—	C	
		Attachments for 10-20 CE 4583A, Plate :—				
28D/1007982	AS.1248/1C	Bolt, 2 BA	1	—	C	
15409	10-20 CE 4603A	PLATE , cover, forward, assembly (Mod. 588) ...	1	—	C	CM1
		Spares for :—				
	10-20 CE 4515A	BRACKET , angle, assembly	2	—	—	CM1
	10-20 CE 4521ND	ANGLE , 18 SWG	1	L.72	LM	CM1
	10-20 CE 4517ND	PACKING , 20 SWG	1	L.72	LM	CM1
28FP/802	DZUS.EF5/35A/D.S.	FASTENER	2	—	C	
		Attachments for 10-20 CE 4603A, Plate :—				
28D/1007982	AS.1248/1C	Bolt, 2 BA	2	—	C	
	—	PULLEY , undercarriage selector cable on stiffener No. 4, station 280"-80, group (Drg. No. 10-20 CE 2913A)	1	—	—	CM1
	—	PLATE , locking, and cable guard, group ...	1	—	—	
5621	A25/4C/DHS.514/D	BOLT , 2 BA	1	—	C	
	10-20 CE 4299	PLATE , locking, 18 SWG	1	S.510	LM	CM2
	AS.2906/4/058	TUBE , distance, cable guard, $\frac{3}{4}$ " o/d x 22 SWG x 0".58 long	1	T.35 or T.45	LM	CM2
28R/13514	AS.103	PULLEY , ball bearing, 2"-0 dia.	1	—	P	CM2
		Attachments for AS.103, Pulley :—				
28M/1011475	A27/EP	Nut, $\frac{1}{4}$ " BSF	1	—	C	
28M/1001476	A27/JS	Nut, $\frac{1}{4}$ " BSF	1	—	C	
28P/9527619	SP.90/C7	Pin, split (SP.9/C8)	1	—	C	
8878	10-20 CE 3639	Spindle, pulley, threaded, $\frac{1}{4}$ " BSF and $\frac{3}{8}$ " BSF	1	—	C	CM2
28W/9418921	SP.13/E	Washer	1	—	C	

CONTROLS
UNDERCARRIAGE AND WING-FOLD SELECTOR CONTROLS,
RIB No. 1, STARBOARD

Ref. No.	Part No.	Description	No. off	Material Specification	Class of Store or L.M.	Plate No.
	—	PULLEY , undercarriage selector cable, stn. 294"-0, group (Drg. No. 10-20 CE 3131)	1	—	—	CM1 CM2
8876	10-20 CE 2729	LINK , selector, assembly	2	—	C	CM2
		Attachments for 10-20 CE 2729, Link :—				
28M/5808573	A27/CS	Nut, 2 BA	1	—	C	
28P/9527619	SP.90/C7	Pin, split (SP.9/C8)	1	—	C	
28W/9419402	SP.13/C	Washer	1	—	C	
	10-20 CE 2715A	PULLEY , undercarriage selector, assembly ...	1	—	—	CM2
8873	10-20 CE 1987	CABLE , coded No. 17, assembly	1	—	C	CM2
8874	10-20 CE 1989	CABLE , coded No. 18, assembly	1	—	C	CM2
		Attachments for 10-20 CE 1987 or 10-20 CE 1989, Cable :—				
28P/1009706	SP.4/Y/A2	Pin, shackle	1	—	C	
28P/9527619	SP.90/C7	Pin, split (SP.9/C8)	1	—	C	
28W/9419465	SP.13/B	Washer	1	—	C	
9614	10-20 CE 4171A/ND	PULLEY , complete, less cables, assembly ...	1	—	P	CM2
		Spare for :—				
2A/9500412	—	BEARING , ball	2	—	C	
	10-20 CE 3031	GUARD , cable, 18 SWG	2	L.72	LM	CM2
8875	10-20 CE 2713	STUD , link attachment	2	—	C	CM2
		Attachments for 10-20 CE 2713, Stud :—				
28M/1007403	A27/ET	Nut, 1/2" BSF	1	—	C	
	AS.2806/7/035	TUBE , distance, 5/8" o/d x 22 SWG x 0"-35 long	1	T.35	LM	CM2
		Attachments for 10-20 CE 2715A, Pulley :—				
28M/14537	A58/GS	Nut, 5/8" BSF	1	—	C	
28P/9527619	SP.90/C7	Pin, split (SP.9/C8)	1	—	C	
27FC/574	DHS.69/E	Shim (Fit between bearing and washer) ...	QR	—	C	CM2
	10-20 CE 4721	Washer, 18 SWG (Mod. 811)	1	S.510	LM	CM2
	—	PULLEY , undercarriage and wing-fold selector cable, stn. 243"-54, group (Drg. No. 10-20 CE 3845A)	1	—	—	CM1 CM3
8884	10-20 CE 3841	BRACKET , pulley, lower half	1	—	C	CM3
		Attachments for 10-20 CE 3841, Bracket :—				
28D/1011238	A25/3E	Bolt, 1/2" BSF	2	—	C	
28M/1011475	A27/EP	Nut, 1/2" BSF	2	—	C	
8886	10-20 CE 2609	Packing, laminated shim, "Attewell" ...	1	—	C	CM3
28W/7000392	SP.14/E	Washer	2	—	C	
8885	DHS.419/2/J/".5	BUSH , at head of pulley spindle bolt ...	1	—	C	CM3
	10-20 CE 3849	LABEL , cable identification, "17, 18, 29, 30," 22 SWG	1	Alum.	LM	CM3
8883	10-20 CE 4067	PIN , shouldered, cable guard	2	—	C	CM3
		Attachments for 10-20 CE 4067, Pin :—				
28M/10288	AGS.2001/C/1	Nut, 2 BA	1	—	C	
28R/13514	AS.103	PULLEY , ball bearing, 2"-0 dia.	4	—	P	CM3
		Attachments for AS.103, Pulley :—				
8882	10-20 CE 2613	Bolt, pulley spindle	1	—	C	CM3
28M/1011476	A27/JS	Nut, 3/8" BSF	1	—	C	
28P/9527619	SP.90/C7	Pin, split (SP.9/C8)	1	—	C	
28W/1007698	SP.14/J	Washer	1	—	C	

**CONTROLS
UNDERCARRIAGE AND WING-FOLD SELECTOR CONTROLS
RIB No. 1, STARBOARD**

Ref. No.	Part No.	Description	No. off	Material Specification	Class of Store or L.M	Place No.
	—	PULLEY , wing-fold, selector cable, stn. 273"-2, group (Drg. No. 10-20 CE 2909)	1	—	—	CM1 CM3
28D/9140644	A25/9C 10-20 CF 1359 AS.2806/4/107	PLATE , locking, and cable guard, group ... BOLT , 2 BA (Lock to DHS.514/D) ... PLATE , locking, 18 SWG ... TUBE , distance, cable guard, 1/4" o/d x 22 SWG x 1"-07 long	1 1 1 1	— — S.510 T.35 or T.45	— — LM LM	— — CM3 CM3
28W/9419402 28R/13514	SP.13/C AS.103	WASHER ... PULLEY , ball bearing, 2"-0 dia. ... Attachments for AS.103, Pulley:—	1 2	—	C P	— CM3
28M/1011475 28M/1011476 28P/9527619 8879 28W/9418921	A27/EP A27/JS SP.90/C7 10-20 CE 2899 SP.13/E	Nut, 1/2" BSF ... Nut, 3/8" BSF ... Pin, split (SP.9/C8) ... Spindle, pulley, threaded 1/4" BSF and 3/8" BSF ... Washer ...	1 1 1 1 1	—	C C C C C	— — — CM3 —
	—	PULLEY , wing-fold, selector cable, stn. 296"-0, group (Drg. No. 10-20 CE 2911A)	1	—	—	CM1 CM2
12575	A25/8C/DHS.514/D 10-20 CF 1359 AS.2806/4/100	PLATE , locking, and cable guard, group ... BOLT , 2 BA ... PLATE , locking, 18 SWG ... TUBE , distance, cable guard, 1/2" o/d x 22 SWG x 1"-0 long	1 1 1 1	— — S.510 T.35 or T.45	— — LM LM	— — CM2 CM2
28R/13514	AS.103	PULLEY , ball bearing, 2"-0 dia. ... Attachments for AS.103, Pulley:—	2	—	P	CM2
28M/1011475 28M/1001476 28P/9527619 8877 28W/9418921	A27/EP A27/JS SP.90/C7 10-20 CE 2897 SP.13/E	Nut, 1/2" BSF ... Nut, 1/2" BSF ... Pin, split (SP.9/C8) ... Spindle, pulley ... Washer ...	1 1 1 1 1	—	C C C C C	— — — CM3 —
	—	PULLEY , wing-fold, selector cable, stn. 304"-0, group (Drg. No. 10-20 CE 3129)	1	—	—	CM1 CM2 CM2
8872	10-20 CE 2887A	LINK , wing-fold selector, assembly ... Attachments for 10-20 CE 2887A, Link:—	1	—	C	—
28M/5808573 28P/9527619 28W/9419402	A27/CS SP.90/C7 SP.13/C	Nut, 2 BA ... Pin, split (SP.9/C8) ... Washer ...	1 1 1	—	C C C	— — —
8869 8870	10-20 CE 2731 10-20 CE 2051 10-20 CE 2053	PULLEY , wing-fold selector, assembly ... CABLE , coded No. 29, assembly ... CABLE , coded No. 30, assembly ... Attachments for 10-20 CE 2051 or 10-20 CE 2053, Cable:—	1 1 1	—	— C C	— CM2 CM2
28P/1009706 28P/9527619 28W/1419465	SP.4/Y/A2 SP.90/C7 SP.13/B	Pin, shackle ... Pin, split (SP.9/C8) ... Washer ...	1 1 1	—	C C C	— — —
9613 2A/9500412	10-20 CE 4169A/ND — 10-20 CE 2889	PULLEY , complete, less cables, assembly ... BEARING , ball ... GUARD , cable, 20 SWG ... Attachments for 10-20 CE 2889, Guard:—	1 2 2	— — L.72	P C LM	— — CM2
28P/9419452 28M/10287	A25/3B AGS.2001/B/1	Bolt, 4 BA ... Nut, 4 BA ...	1 1	—	C C	— —



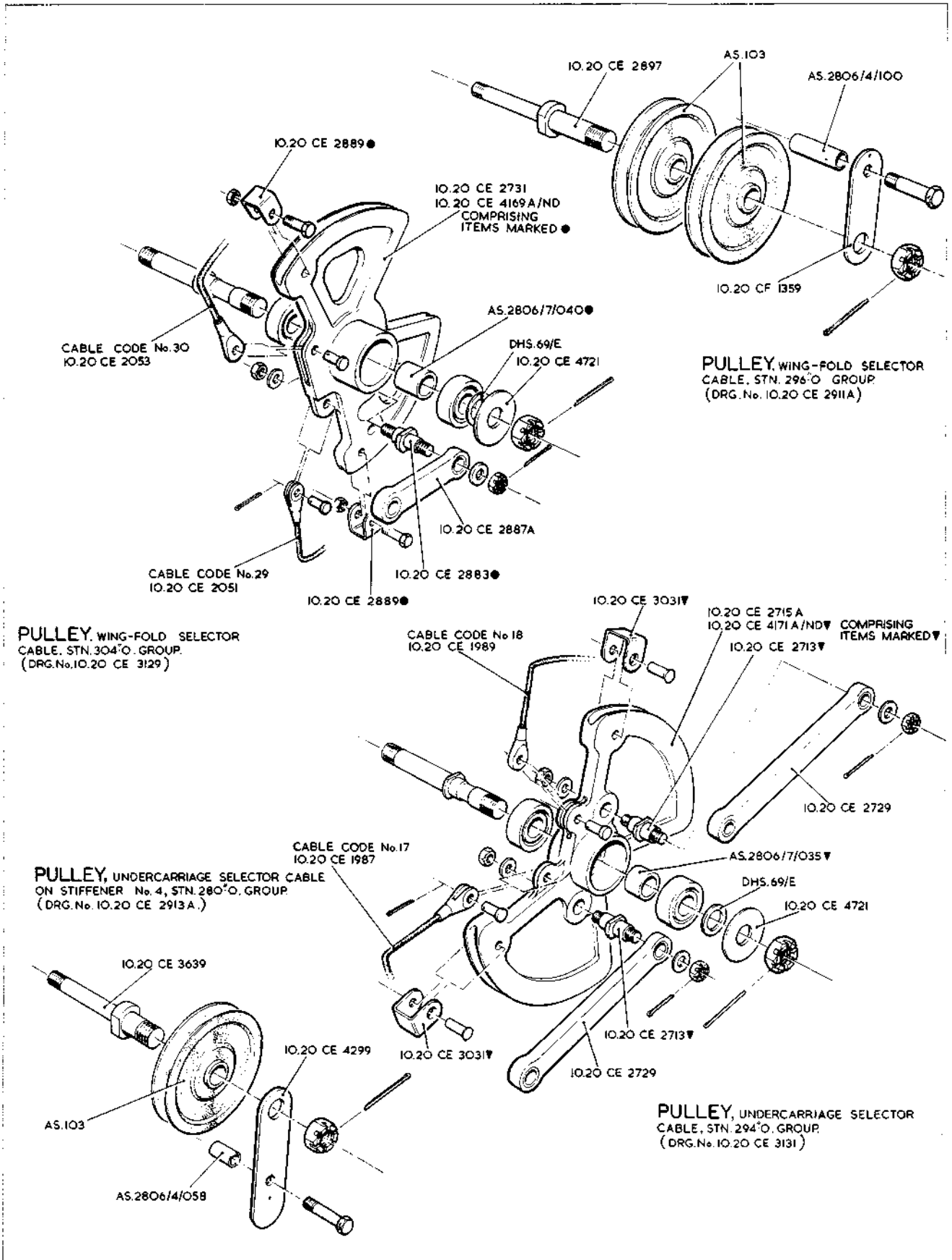
UNDERCARRIAGE AND WING-FOLD CABLE CONTROLS ON RIB No.1 (DRG. No. 10.20 CE 2901)

CM.1

**CONTROLS
UNDERCARRIAGE AND WING-FOLD
SELECTOR RIB.1 STARBOARD**

RESTRICTED

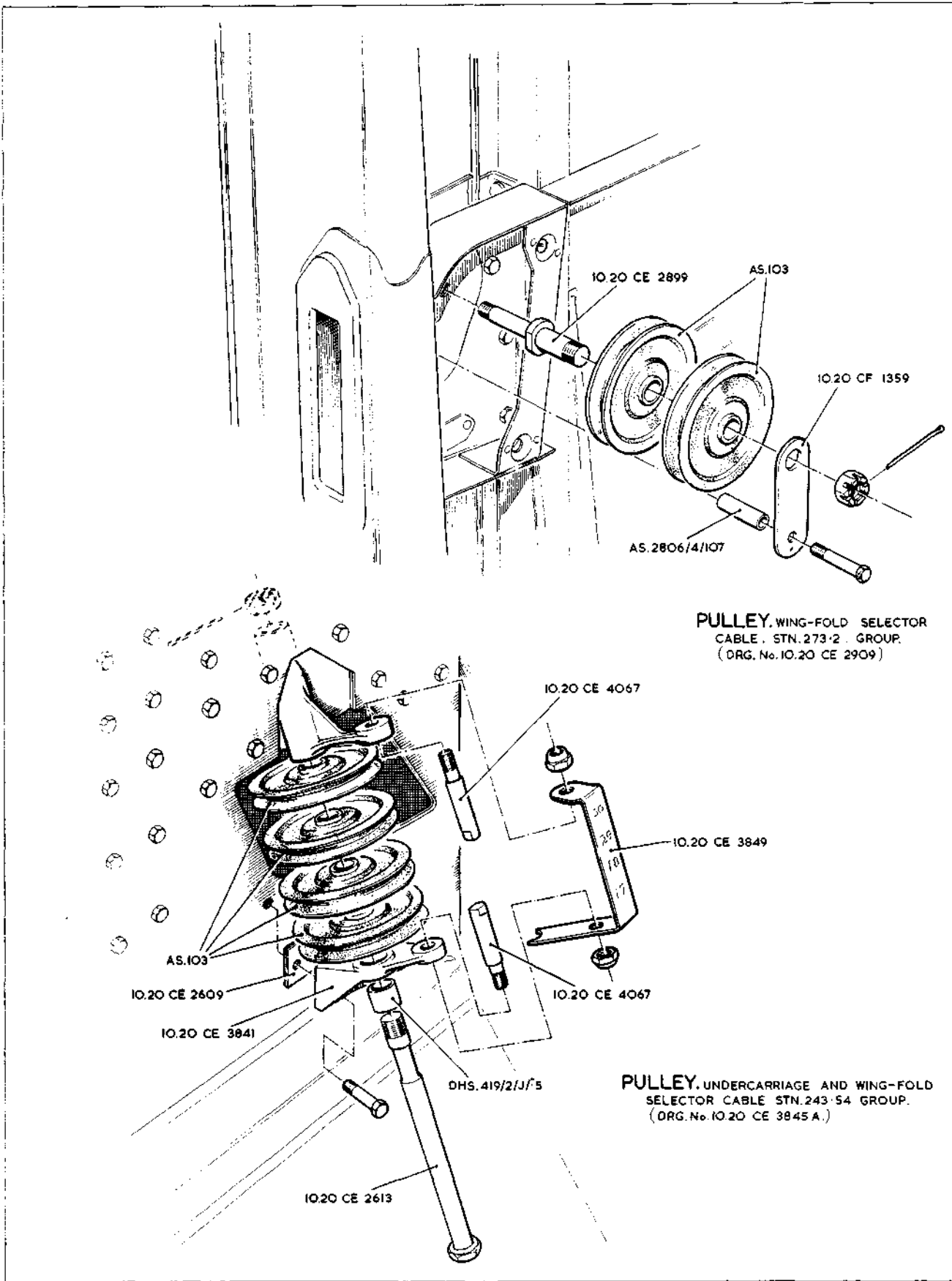
CM.1
[A147]



CM.2

CONTROLS
UNDERCARRIAGE AND WING-FOLD
SELECTOR RIB.1 STARBOARD

CM.2
[AL.47]



CM.3

CONTROLS
UNDERCARRIAGE AND WING-FOLD
SELECTOR RIB.1 STARBOARD

CM.3
[A.L.47]



This file was downloaded
from the RTFM Library.

Link: www.scottbouch.com/rtfm

Please see site for usage terms,
and more aircraft documents.