

INSTALLATION OF HYDRAULIC TEMPERATURE INDICATOR, CODED "DB"

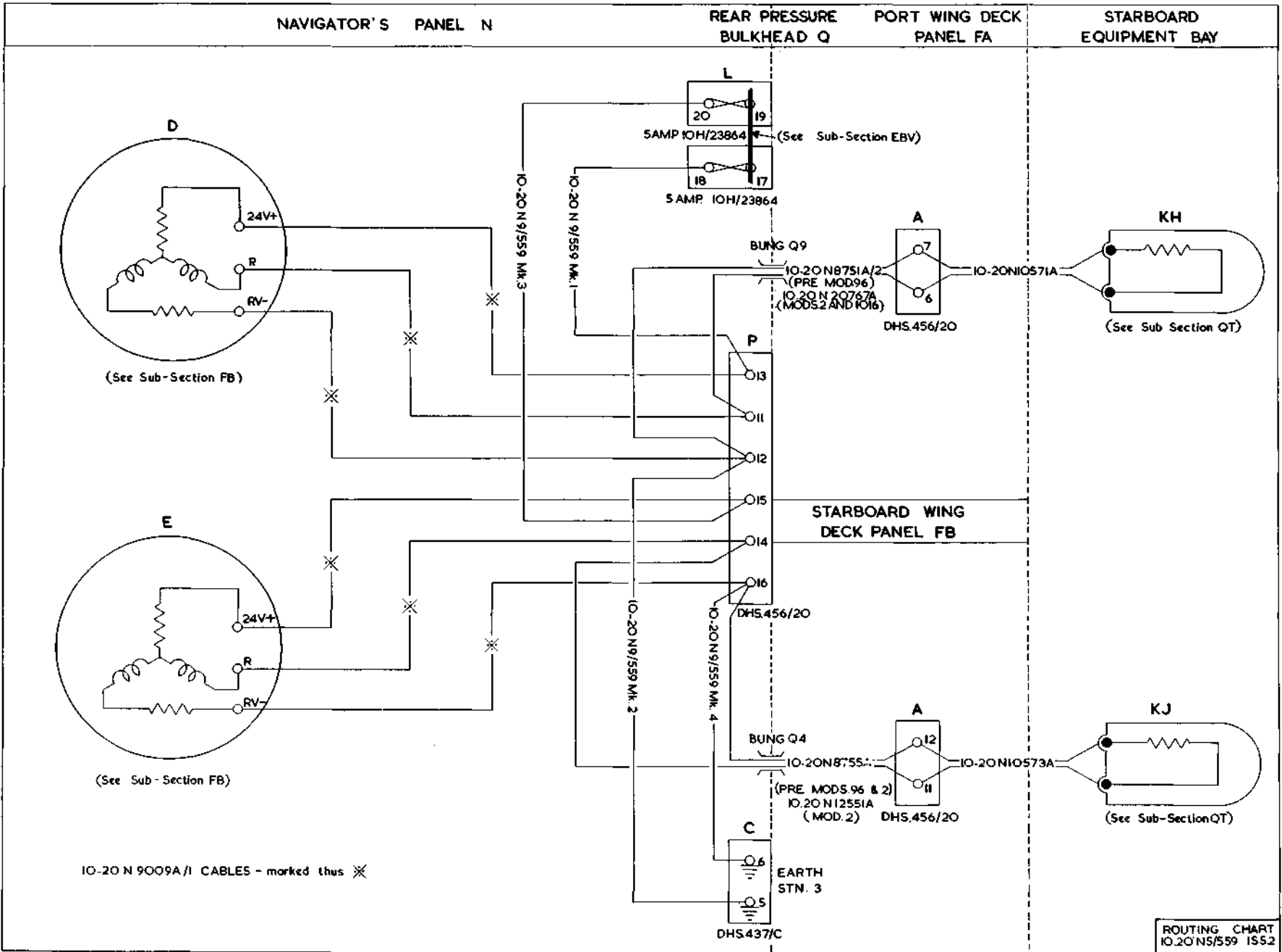
Ref. No.	Part No.	Description	No. off	Material Specification	Class of Store or L.M.	Plate No.
	—	INSTALLATION OF HYDRAULIC TEMPERATURE INDICATOR, CODED "DB"	1	—	—	
	—	INSTALLATION AT NAVIGATOR'S PANEL "N" (Drg. No. 10-20 N 8831)	1	—	—	
	10-20 N 9009A/1 CABLES	CABLES , link, circuit coded "DB." assembly ...	6	—	ECC	EAH1
	—	THERMOMETER , indicator, hydraulic temperature, coded "D" and "E" (See sub-section FB)	—	—	—	
	—	INSTALLATION AT REAR PRESSURE BULK-HEAD "Q" (Drg. Nos. 10-20 N 10635, 10-20 N 14755A and 10-20 N 11421)	1	—	—	
	—	BLOCK , fuse, coded "L." group ...	1	—	—	
	—	BLOCK , fuse, 12-way ... (See sub-section EBV)	1	—	—	
10H/23864	—	FUSE , 5 amp. ...	2	—	C	EAH1
	—	BLOCK , terminal, coded "P," group ...	1	—	—	
	DHS.456/20	BLOCK , terminal, 20-way, assembly ... (For breakdown see DHS. Data Sheet)	1	—	—	EAH1
5X/9149643	PLESSEY CZ.25111	COVER , 20-way, terminal block ... (5940-99-914-9643)	1	—	C	
12732	10-20 N 8085	PILLAR , fixing, 4 BA, for terminal block ...	2	—	C	EAF1
	10-20 N 20767A	CABLE , bung "Q9," coded "FA-Q," assembly ... (For cables circuit coded "DB")	1	—	ECC	EAH1
	10-20 N 12551A	CABLE , bung "Q4," coded "FB-Q," assembly ... (For cables circuit coded "DB")	1	—	ECC	EAH1
	10-20 N 9/559 Mk. 1	CABLE , coded "18.L.Q.DBA-DBA.Q.P.13," assembly	1	—	ECC	EAH1
	10-20 N 9/559 Mk. 2	CABLE , coded "12.P.Q.DBA-DBA.★3.C.5," assembly	1	—	ECC	EAH1
	10-20 N 9/559 Mk. 3	CABLE , coded "20.L.Q.DBB-DBB.Q.P.15," assembly	1	—	ECC	EAH1
	10-20 N 9/559 Mk. 4	CABLE , coded "16.P.Q.DBB-DBB.★3.C.6," assembly	1	—	ECC	EAH1
	—	TERMINAL , earth, stn. 3, coded "C," group	1	—	—	
26DV/7529	DHS.438/C	TAG , corrosion ...	1	—	C	EAE2
26DV/4969	DHS.437/C	TERMINAL , earth, assembly ... (For breakdown see DHS. Data Sheet)	1	—	C	EAH1
	—	Attachments for DHS.437/C. Terminal:—				
28M/10288	AGS.2001/C/1	Nut, 2 BA ...	2	—	C	
28W/9419475	SP.15/C	Washer ...	2	—	C	

ELECTRICAL INSTALLATIONS

INSTALLATION OF HYDRAULIC TEMPERATURE INDICATOR, CODED "DB"

Ref. No.	Part No.	Description	No. of	Material Specification	Class of Store or L.M.	Place No.
	—	INSTALLATION AT PORT WING DECK PANEL, CODED "FA" (Drg. Nos. 10-20 N 13301A and 10-20 N 10569)	1	—	—	
	—	BLOCK , terminal, coded "A," group	1	—	—	
	DHS.456/20	BLOCK , terminal, 20-way, assembly (For breakdown see DHS. Data Sheet)	1	—	—	EAH1
5X/9149643	PLESSEY CZ.25111	COVER , terminal block (5940-99-914-9643)...	1	—	C	
5X/9450403	PLESSEY Z.28426	PILLAR , fixing, 4 BA (5340-99-945-0403) ...	2	—	C	
28W/9419474	SP.15/B	WASHER	2	—	C	
	10-20 N 10571A	CABLE , coded "KH," assembly	1	—	ECC	EAH1
5F/9434858	—	STRAP , flexible, cable fastening, $\frac{3}{16}$ " wide ...	QR	—	C	
5F/9138823	—	STUD , cable fastening strap	QR	—	C	
	—	INSTALLATION AT STARBOARD WING DECK PANEL, CODED "FB" (Drg. Nos. 10-20 N 14863A and 10-20 N 10569)	1	—	—	
	—	BLOCK , terminal, coded "A," group	1	—	—	
	DHS.456/20	BLOCK , terminal, 20-way, assembly (For breakdown see DHS. Data Sheet)	1	—	C	EAH1
5X/9149643	PLESSEY CZ.25111	COVER , terminal block (5940-99-914-9643)...	1	—	C	
5X/9450403	PLESSEY Z.28426	PILLAR , fixing, 4 BA (5340-99-945-0403) ...	2	—	C	
28W/9419474	SP.15/B	WASHER	2	—	C	
	10-20 N 10573A	CABLE , coded "KJ," assembly	1	—	ECC	EAH1
5F/9434858	—	STRAP , flexible, cable fastening, $\frac{3}{16}$ " wide ...	QR	—	C	
5F/9138823	—	STUD , cable fastening strap	QR	—	C	
	—	INSTALLATION AT STARBOARD EQUIPMENT BAY (Drg. No. 10-20 N 9911A)	1	—	—	
	—	BULB , thermometer (See sub-section QT) ...				
32B/—	—	TAPE , identification, numbers and letters, use from Ref. Nos. 32B/1087 to 32B/1120 inclusive, as required	QR	—	C	

**EAH.1
ELECTRICAL INSTALLATION
HYDRAULIC TEMPERATURE INDICATOR
CODED DB**



RESTRICTED

EAH.1
[A-43]

See Vixen Mk. 1

RESTRICTED

Plate EAH.1

ROUTING CHART
IO-20 N 5/559 ISS.2



This file was downloaded
from the RTFM Library.

Link: www.scottbouch.com/rtfm

Please see site for usage terms,
and more aircraft documents.