

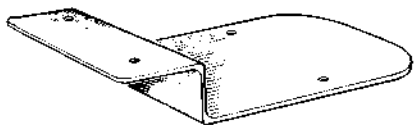
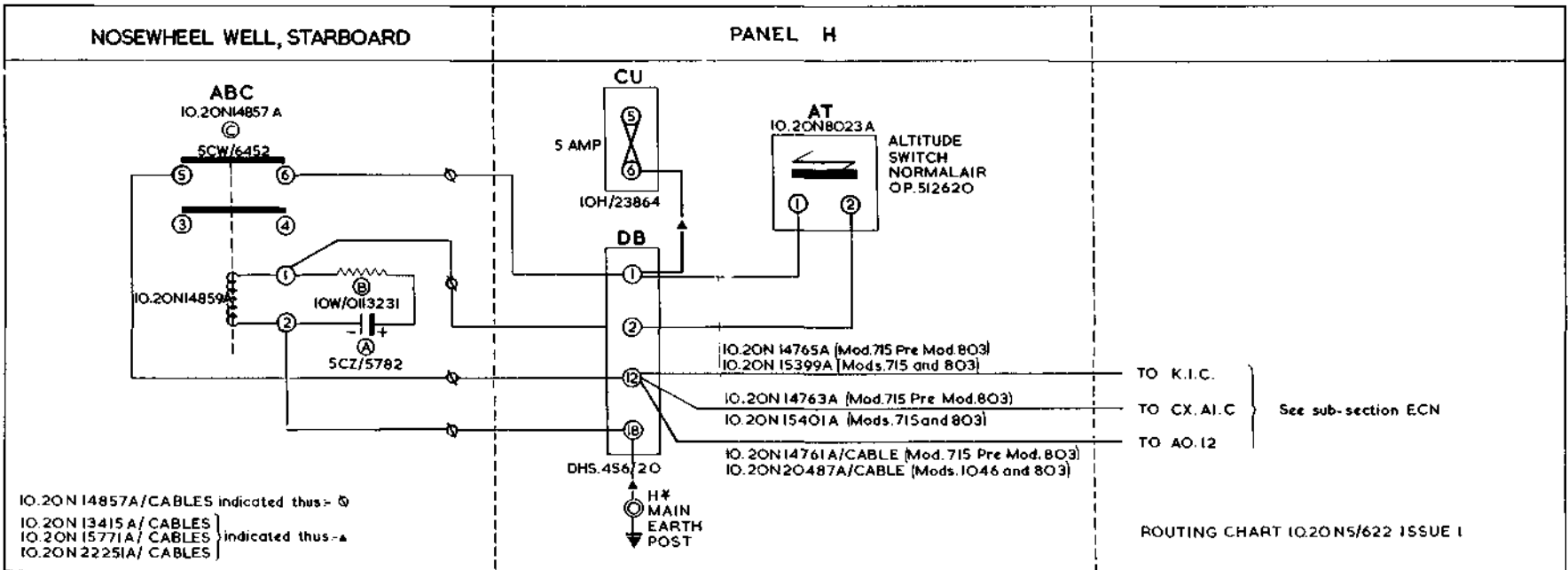
INSTALLATION OF CABIN AIR PRESSURE WARNING, CODED "DC"

Ref. No.	Part No.	Description	No. off	Material Specification	Class of Score or L.M.	Place No.
		INSTALLATION OF CABIN AIR PRESSURE WARNING, CODED "DC"	1	—	—	
		INSTALLATION AT NOSEWHEEL WELL, STARBOARD (Drg. No. 10-20 N 15407) (Mod. 715)	1	—	—	
	10-20 N 14859A	CAPACITOR/RESISTOR , coded "A," cabin pressure assembly	1	—	—	EAJ1
16384	10-20 N 14855	BASE , mounting, fibreglass	1	—	C	EAJ1
5E/3928	—	CABLE , link, Uninyvin 20, 3"-0 long, coded "A-2C" (End details to DHS.520/A and DHS.520/ZG/B)	1	—	C	
5CZ/5782	PLESSEY CE.51102	CAPACITOR , 140 mfd.	1	—	P	EAJ1
28M/9995181	A53/B	Attachments for CE.51102. Capacitor:—	1	—	C	
28W/1200328	AGS.2037/B	Nut, 4 BA	1	—	C	
		Washer, shakeproof	1	—	C	
	PAGE ENGINEERING					
	A.345	COVER , capacitor	1	—	C	
	—	RESISTOR , group	1	—	—	
28E/9436947	AS.3180/4B	CLIP , "P"	1	—	C	
28M/10287	AGS.2001/B/1	NUT , 4 BA	1	—	C	
10W/0113231	—	RESISTOR , 100 ohms, coded "B"	1	—	C	EAJ1
28S/9992522	A32/B16	SCREW , 4 BA	1	—	C	
	QS.166	SLEEVING , silicone elastomer	QR	—	—	
28W/9419465	SP.13/B	WASHER	1	—	C	
	10-20 N 14857A	RELAY , cabin pressure, coded "C," assembly (Mod. 715)	1	—	LM	EAJ1
	10-20 N 14857A/					
	CABLES	CABLES	4	—	ECC	EAJ1
5CW/6452	—	SWITCH , magnetic, Type 9B, No. 1A	1	—	P	EAJ1
		Attachments for 10-20 N 14857A, Relay:—				
28S/2875	A32/B24	Screw, 4 BA	2	—	C	
28W/9419401	SP.10/B	Washer	2	—	C	
		INSTALLATION AT LOWER AND UPPER PANEL, CODED "H"	1	—	—	
		(Drg. Nos. for use on Pre Mod. 2 A/C:—10-20 N 8553, 10-20 N 4335, 10-20 N 9665A/2 and 10-20 N 13417A)				
		(Drg. Nos. for use on Mod. 2 A/C:—10-20 N 11421, 10-20 N 14335, 10-20 N 15833A, Pre Mod. 803, 10-20 N 15709A, Mod. 803, 10-20 N 15781, Pre Mod. 803, and 10-20 N 22229, Mod. 803)				
	—	BLOCK , fuse, coded "CU," group	1	—	—	
	—	BLOCK , fuse, 12-way	1	—	—	
2	10H/2386A	(See sub-section "EBV")				
	—	FUSE , ¹⁰ / ₉ amp.	1	—	C	EAJ1
	—	BLOCK , terminal, coded "DB," group	1	—	—	
	DHS.456/20L	BLOCK , terminal, 20-way, assembly	1	—	—	EAJ1
		(For breakdown see DHS. Data Sheet)				
SX/6165	PLESSEY CZ.25111	COVER , terminal block	1	—	P	
7657	DHS.870/5	PILLAR , fixing, 4 BA	2	S.93	C	EAJ1
26DV/12296	DHS.489/5	SPACER	2	P.V.C.	C	EAJ1

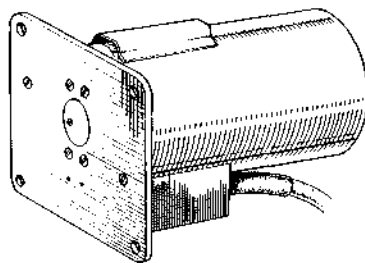
ELECTRICAL INSTALLATIONS

INSTALLATION OF CABIN AIR PRESSURE WARNING, CODED "DC"

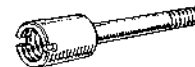
Ref. No.	Part No.	Description						No. off	Material Specification	Class of Store or L.M	Place No.
		1	2	3	4	5	6				
	10-20 N 14763A	CABLE , coded "1.A.CX," assembly (Mod. 715) (For use on Pre Mod. 803 A/C) (For cables circuit coded "DC")						1	—	ECC	EAJ1
	10-20 N 15401A	CABLE , coded "1.A.CX," assembly (Mod. 715) (For use on A/C embodying Mod. 803) (For cables circuit coded "DC")						1	—	ECC	EAJ1
	10-20 N 14765A	CABLE , coded "K.1," assembly (Mod. 715) ... (For use on Pre Mod. 803 A/C) (For cables circuit coded "DC")						1	—	ECC	EAJ1
	10-20 N 15399A	CABLE , coded "K.1," assembly (Mod. 715) ... (For use on A/C embodying Mod. 803) (For cables circuit coded "DC")						1	—	ECC	EAJ1
	10-20 N 14761A/ CABLES	CABLES , coded "A.O." (Mod. 715, Pre Mod. 803) (For cables circuit coded "DC")						QR	—	ECC	EAJ1
	10-20 N 20487A/ CABLES	CABLES , coded "A.O." (Mods. 1046 and 803) (For cables circuit coded "DC")						QR	—	ECC	EAJ1
	10-20 N 13415/CABLES	CABLES , link (Mod. 332, Pre Mod. 416) ... (For cables circuit coded "DC")						QR	—	ECC	EAJ1
	10-20 N 15771/CABLES	CABLES , link (Mod. 702, Pre Mod. 803) ... (For cables circuit coded "DC")						QR	—	ECC	EAJ1
	10-20 N 22251/CABLES	CABLES , link (Mod. 1016) (For cables circuit coded "DC") (For use on A/C embodying Mod. 803)						QR	—	ECC	EAJ1
	10-20 N 8023A	SWITCH , altitude, coded "AT," c/w cable, assembly						1	—	—	EAJ1
5K/9107065	—	SLEEVE , binding						QR	—	C	
	NORMALAIR Ltd. OP.512620	SWITCH , altitude						1	—	P	EAJ1
5CW/6382	—	TERMINATION , tag crimping, No. 2 ...						2	—	C	
5X/9400063	PLESSEY Z.19925	THIMBLE , No. 2						2	—	C	
5X/9400064	PLESSEY Z.19980	TAPE , identification, numbers and letters, use from Ref. Nos. 32B/1087 to 32B/1120 inclusive, as required						QR	—	C	
32B/—	—										



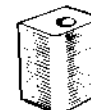
BASE, MOUNTING.
IO.20N 14855



SWITCH, ALTITUDE.
NORMAL AIR OP. 512620



PILLAR, BOLT.
DHS.870/5



SPACER
DHS.489/5

EAJ.1
ELECTRICAL INSTALLATION
CABIN AIR PRESSURE WARNING
 CODED DC

RESTRICTED

EAJ.1
 [A-L-43]

Sea Vixen Mk.1

RESTRICTED

Plate EAJ1

This file was downloaded
from the RTFM Library.

Link: www.scottbouch.com/rtfm

Please see site for usage terms,
and more aircraft documents.

