

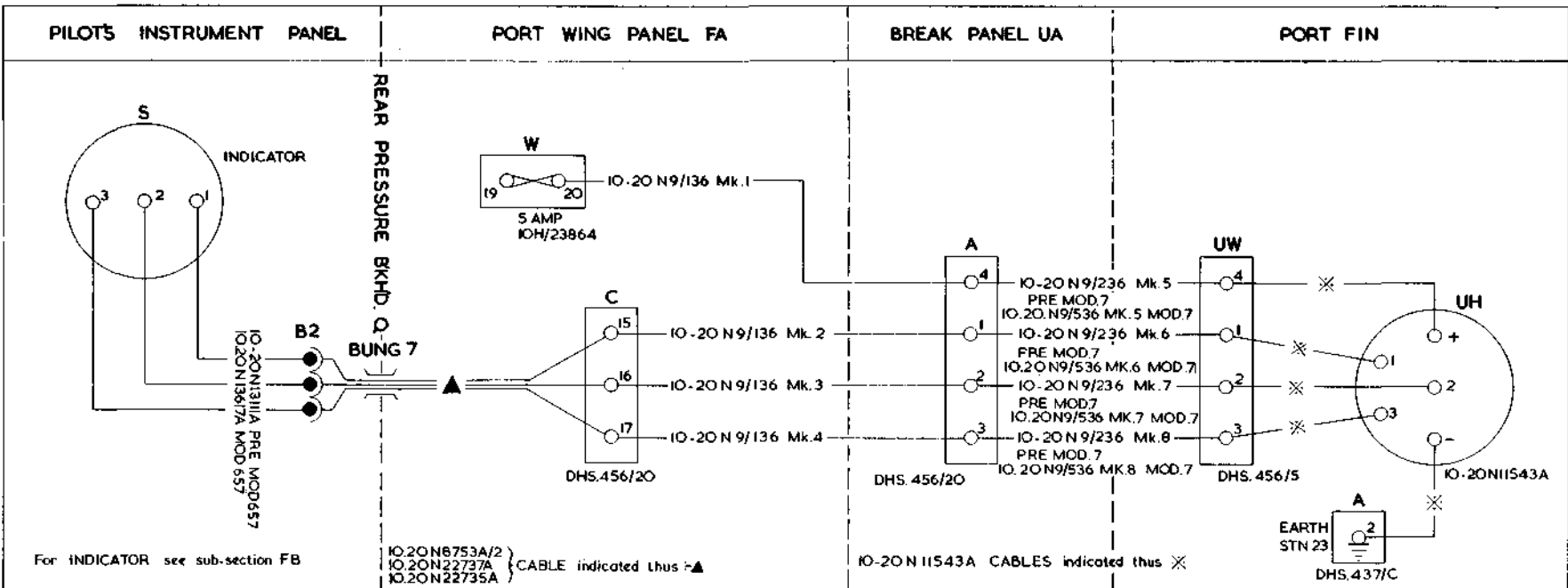
INSTALLATION OF TAILPLANE POSITION INDICATOR, CODED "DE"

Ref. No.	Part No.	Description	No. off	Material Specification	Class of Store or L.M.	Plate No.
	—	INSTALLATION OF TAILPLANE POSITION INDICATOR, CODED "DE"	1	—	—	
	—	INSTALLATION AT INSTRUMENT PANEL, CODED "B"	1	—	—	
	10-20 N 13617A	(Drg. Nos. 10-20 N 24879A, Pre Mod. 1500, Mod. 1549, 10-22 N 3789A, Mods. 1500 and 1549) CABLE , coded "B2," assembly (Mod. 657) ... (For cables circuit coded "DE")	1	—	ECC	EAL1
	—	INDICATOR , tailplane (See sub-section FB) ...	1	—	—	EAL1
	—	INSTALLATION AT REAR PRESSURE BULK-HEAD, CODED "Q"	1	—	—	
	10-20 N 22737A	(Drg. No. 10-20 N 11421) CABLE , bung "Q7," coded "FA," assembly ... (Mod. 1042, Pre Mod. 803) (For cables circuit coded "DE")	1	—	ECC	EAL1
	10-20 N 22735A	CABLE , bung "Q7," coded "FA," assembly (Mods. 1042 and 803) (For cables circuit coded "DE")	1	—	ECC	EAL1
	—	INSTALLATION AT PORT WING DECK PANEL, CODED "FA"	1	—	—	
	—	(Drg. Nos. 10-20 N 13301 and 10-20 N 10109)				
	—	BLOCK , fuse, coded "W," group ...	1	—	—	EAL1
	—	BLOCK , fuse, 12-way, assembly ... (See sub-section "EBV")	1	—	—	
10H/23864	—	FUSE , 5 amp. ...	1	—	C	EAL1
	—	BLOCK , terminal, coded "C," group ...	1	—	—	
	DHS.456/20	BLOCK , terminal, 20-way ... (For breakdown see DHS. Data Sheet)	1	—	—	EAL1
5X/9149643	PLESSEY CZ.25111	COVER , terminal block (5940-99-914-9643)	1	—	C	EAL1
5X/9450403	PLESSEY Z.28426	PILLAR , fixing, 4 BA (5340-99-945-0403) ...	2	—	C	EAL1
28W/9419474	SP.15/B	WASHER ...	2	—	C	
	10-20 N 9/136 Mk. 2	CABLE , coded "15.C.FA.DE—DE.UA.A.1," assembly	1	—	ECC	EAL1
	10-20 N 9/136 Mk. 3	CABLE , coded "16.C.FA.DE—DE.UA.A.2," assembly	1	—	ECC	EAL1
	10-20 N 9/136 Mk. 4	CABLE , coded "17.C.FA.DE—DE.UA.A.3," assembly	1	—	ECC	EAL1
	10-20 N 9/136 Mk. 1	CABLE , coded "20.W.FA.DE—DE.UA.A.4," assembly	1	—	ECC	EAL1

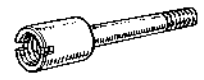
ELECTRICAL INSTALLATIONS

INSTALLATION OF TAILPLANE POSITION INDICATOR, CODED "DE"

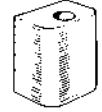
Ref. No.	Part No.	Description	No. off	Material Specification	Class of Store or L.M	Place No.
	—	INSTALLATION AT PORT BOOM BREAK PANEL, CODED "UA" (Drg. Nos. 10-20 N 13793, Mod. 577 and 10-20 N 8701)	1	—	—	
	DHS.456/20	BLOCK , terminal, 20-way, coded "A," assembly (For breakdown see DHS. Data Sheet)	1	—	—	EAL1
28D/1214872	AS.1246/10B	Attachments for DHS.456/20, Block :—				
26DV/12296	DHS.489/5	Bolt, 4 BA	2	—	C	
		Spacer	2	—	C	EAL1
	10-20 N 9/236 Mk. 6	CABLE , coded "1.A.UA.DE—DE.UW.1," assembly (Pre Mod. 7)	1	—	ECC	EAL1
	10-20 N 9/536 Mk. 6	CABLE , coded "1.A.UA.DE—DE.UW.1," assembly (Mod. 7)	1	—	ECC	EAL1
	10-20 N 9/236 Mk. 7	CABLE , coded "2.A.UA.DE—DE.UW.2," assembly (Pre Mod. 7)	1	—	ECC	EAL1
	10-20 N 9/536 Mk. 7	CABLE , coded "2.A.UA.DE—DE.UW.2," assembly (Mod. 7)	1	—	ECC	EAL1
	10-20 N 9/236 Mk. 8	CABLE , coded "3.A.UA.DE—DE.UW.2," assembly (Pre Mod. 7)	1	—	ECC	EAL1
	10-20 N 9/536 Mk. 8	CABLE , coded "3.A.UA.DE—DE.UW.3," assembly (Mod. 7)	1	—	ECC	EAL1
	10-20 N 9/236 Mk. 5	CABLE , coded "4.A.UA.DE—DE.UW.4," assembly (Pre Mod. 7)	1	—	ECC	EAL1
	10-20 N 9/536 Mk. 5	CABLE , coded "4.A.UA.DE—DE.UW.4," assembly (Mod. 7)	1	—	ECC	EAL1
	—	INSTALLATION AT PORT FIN (Drg. Nos. 10-20 N 8701, 10-20 TF 913 and 10-20 CF 9457)	1	—	—	
	DHS.456/5	BLOCK , terminal, 5-way, coded "UW," assembly (For breakdown see DHS. Data Sheet)	1	—	—	EAL1
28D/1214867	AS.1246/5B	Attachments for DHS.456/5, Block :—				
26DV/4969	DHS.437/C	Bolt, 4 BA	2	—	C	
		TERMINAL , earth, station 23, coded "A2," assembly (For breakdown see DHS. Data Sheet)	1	—	C	EAL1
2339	DHS.358/5C	Attachments for DHS.437/C, Terminal :—				
28W/9419475	SP.15/C	Bolt, 2 BA	2	—	C	EAL1
		Washer	2	—	C	
	10-20 N 11543A	TRANSMITTER , "Desynn," assembly	1	—	—	EAL1
	10-20 N 11543A/ CABLES	CABLE , assembly	1	—	ECC	EAL1
	—	TRANSMITTER , "Desynn" (See sub-section CB)	—	—	—	
32B/—	—	TAPE , identification, numbers and letters, use from Ref. Nos. 32B/1087 to 32B/1120 inclusive, as required	QR	—	C	



ROUTING CHARTS
IO-20N5/236 ISS.2 PRE MOD.7
IO-20N5/536 ISS.1 MOD.7



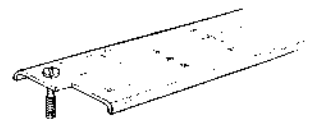
PILLAR, FIXING.
Z.28426



SPACER.
DHS.489/5



BOLT.
DHS.358/5C



COVER.
C.Z.25111

EAL.1
ELECTRICAL INSTALLATION
TAIL PLANE POSITION INDICATOR
CODED DE

RESTRICTED

EAL.1
[AL.43]

This file was downloaded
from the RTFM Library.

Link: www.scottbouch.com/rtfm

Please see site for usage terms,
and more aircraft documents.



LIGHTNING MK. 1
COVER PITOT HEAD
EB2-88-5111