

INSTALLATION OF FUEL CONTENTS GAUGES, CODED "DR"

Ref. No.	Part No.	Description	No.	Material Specification	Class of Store or L.M.	Plate No.
	—	INSTALLATION OF FUEL CONTENTS GAUGES, CODED "DR"	1	—	—	
	—	INSTALLATION AT AFT FACE OF FRONT PRESSURE BULKHEAD, CODED "A" (Drg. Nos. 10-20 N 5493 and 10-20 N 11421)	1	—	—	
	10-20 N 5561A	CABLE , coded "+AR.DRE-DRE.H.CT.2," assembly	1	—	ECC	EAQ1 EAQ1 A
	10-20 N 8717A	CABLE , coded "AR," assembly	1	—	ECC	EAQ1 EAQ1 A
	10-20 N 9/106 Mk. 20	CABLE , coded "NEG-A.2," assembly	1	—	ECC	EAQ1 EAQ1 A
SUB/6728	B.T.H. D.A.1B	INVERTER , coded "AR"	1	—	P	EAQ1 EAQ1 A
28D/1011238	A25/3E	Attachments for Ref. No. SUB/6728, Inverter: — Bolt, 1/4" BSF	4	—	C	
	—	INSTALLATION AT PILOT'S INSTRUMENT PANEL, CODED "B" (Drg. Nos. 10-20 N 24879A, Pre Mod. 1500, Mod. 1549, 10-22 N 3789A, Mods. 1500 and 1549, 10-20 N 13463 and 10-20 N 10635)	1	—	—	
	10-20 N 13615A	CABLE , coded "B1," assembly (Mod. 657) ... (For cables circuit coded "DR")	1	—	ECC	EAQ1 A
	10-20 N 13617A	CABLE , coded "B2," assembly (Mod. 657) ... (For cables circuit coded "DR")	1	—	ECC	EAQ1 A
	10-20 N 22741A	CABLE , bung "Q2," coded "FB," assembly (Mod. 1042, Pre Mod. 803) (For cables circuit coded "DR")	1	—	ECC	EAQ1 A
	10-20 N 22743A	CABLE , bung "Q2," coded "FB," assembly ... (Mods. 1042 and 803) (For cables circuit coded "DR")	1	—	ECC	EAQ1 A
	10-20 N 22737A	CABLE , bung "Q7," coded "FA," assembly ... (Mod. 1042, Pre Mod. 803) (For cables circuit coded "DR")	1	—	ECC	EAQ1 A
	10-20 N 22735A	CABLE , bung "Q7," coded "FA," assembly ... (Mods. 1042 and 803) (For cables circuit coded "DR")	1	—	ECC	EAQ1 A
	10-20 N 9/106 Mk. 1	CABLE , coded "3.★1.C.DR-DR.H.DA.17," assembly (Pre Mod. 803)	1	—	ECC	EAQ1 EAQ1 A
	10-20 N 9/606 Mk. 27	CABLE , coded "3.★1.C.DR-DR.H.DA.17," assembly (Mod. 803)	1	—	ECC	

ELECTRICAL INSTALLATIONS

INSTALLATION OF FUEL CONTENTS GAUGES, CODED "DR"

Ref. No.	Part No.	Description	No. off	Material Specification	Class of Store or L.M.	Plate No.
	—	GAUGE , fuel contents, coded "F" and "G" (See sub-section "FB")	—	—	—	EAQ1 EAQ1A
26DV/7529	DHS.438/C	TERMINAL , earth, station 1, coded "C." group	1	—	—	
26DV/4969	DHS.437/C	TAG , corrosion	1	—	C	
		TERMINAL , earth, assembly (For breakdown see DHS. Data Sheet)	1	—	C	EAQ1 EAQ1A
		Attachments for DHS.437/C, Terminal :—				
28D/9137409	AS.1246/2C	Bolt, 2 BA	2	—	C	
28M/10288	AGS.2001/C/1	Nut, 2 BA	2	—	C	
28W/9419404	SP.16/C	Washer	2	—	C	
	—	TERMINAL , earth, station 2, coded "A" and "B." group	1	—	—	
26DV/7529	DHS.438/C	TAG , corrosion	1	—	C	
26DV/4969	DHS.437/C	TERMINAL , earth, assembly (For breakdown see DHS. Data Sheet)	1	—	C	EAQ1 EAQ1A
		Attachments for DHS.437/C, Terminal :—				
28M/10288	AGS.2001/C/1	Nut, 2 BA	2	—	C	
28W/9419475	SP.15/C	Washer	2	—	C	
	10-20 N 12539ND	Washer, spacer, 12 SWG (Terminal "B" only)	1	L.16	LM	
	—	INSTALLATION AT PILOT'S AUXILIARY PANEL, CODED "D" (Drg. Nos. 10-20 N 23107A Mod. 1000, Pre Mod. 803, 10-20 N 23079A Mods. 1000 and 803 and 10-20 N 23137A Mod. 1000)	1	—	—	
	10-20 N 4547A/ CABLES	CABLES , link (For cables circuit coded "DR")	QR	—	ECC	EAQ1
	10-20 N 23107A/ CABLES	CABLES , link (For cables circuit coded "DR")	QR	—	ECC	EAQ1A
	10-20 N 23079A/ CABLES	CABLES , link (For cables circuit coded "DR")	QR	—	ECC	EAQ1A
6A/4777	SMITHS S.B.22	SWITCH , fuel tank selector, coded "A" and "B," (Pre Mod. 2 A/C only)	2	—	P	EAQ1
		Attachments for S.B.22, Switch :—				
28S/9992521	A33/B24	Screw, 4 BA	1	—	C	
28W/9419474	SP.13/B	Washer	4	—	C	
5CW/6428	—	SWITCH , tumbler, S.P. No. 3, fuel gauge test, coded "C"	1	—	P	EAQ1 EAQ1A
		Attachments for Ref. No. 5CW/6428, Switch :—				
28S/9419438	A33/B10	Screw, 4 BA	2	—	C	
26DV/7350	DHS.485	Washer, distance	2	—	C	
	—	INSTALLATION AT NAVIGATOR'S AND I.F.F. PANEL, CODED "AN" (Drg. No. 10-20 N 20443 Mods. 1042 and 2)	1	—	—	
6A/4777	SMITHS INSTRUMENTS S.B.22	SWITCH , fuel tank selector, coded "M" and "N"	2	—	P	EAQ1A
		Attachments for S.B.22, Switch :—				
28D/1214424	AS.4597/4B	Bolt, 4 BA	4	—	C	

ELECTRICAL INSTALLATIONS

INSTALLATION OF FUEL CONTENTS GAUGES, CODED "DR"

Ref. No.	Part No.	Description	No. off	Material Specification	Class of Store or L.M.	Place No.
		INSTALLATION AT PILOT'S SWITCH PANEL, CODED "H" AND "H-A" (Drg. Nos. 10-20 N 15833A, 10-20 N 15709A, 10-20 N 13987, 10-20 N 15781, 10-20 N 22229 and 10-20 N 11421)	1	—	—	
		BLOCK , fuse, coded "CT," group	1	—	—	
10H/23864	—	BLOCK , fuse, 12-way (See sub-section EBV)	1	—	—	
	—	FUSE , 5 amp.	1	—	C	EAQ1 EAQ1A
10H/23862	—	FUSE , 10 amp.	1	—	C	EAQ1 EAQ1A
	DHS.456/20L	BLOCK , terminal, coded "CK," group	1	—	—	
5X/9149643 7657 26DV/12296	PLESSEY CZ.25111 DHS.870/5 DHS.489/5	BLOCK , terminal, 20-way, L.H. assembly (For breakdown see DHS. Data Sheet)	1	—	—	EAQ1A
		COVER , terminal block (5940-99-914-9643)	1	—	C	EAQ3
		PILLAR , fixing, 4 BA	2	—	C	EAQ3
		SPACER	2	—	C	EAQ3
	DHS.456/20L	BLOCK , terminal, coded "CM" group	1	—	—	
		BLOCK , terminal, 20-way, L.H., assembly (For breakdown see DHS. Data Sheet)	1	—	—	EAQ1 EAQ1A
28M/9434251	10-20 N 13731A 10-20 N 13729ND AGS.2008/B/1	BRACKET , assembly	1	—	—	EAQ3
		BRACKET , bare, 20 SWG	1	L.72	LM	EAQ3
		NUT , 4 BA, anchor	2	—	C	
28S/9992522 28W/9419465	A32/B16 SP.13/B	Attachments for 10-20 N 13731A, Bracket :— Screw , 4 BA Washer	2 2	— —	C C	
5X/9149643 12732 28W/9419465	PLESSEY CZ.25111 10-20 N 8085 SP.13/B	COVER , terminal block (5940-99-914-9643)	1	—	C	EAQ3
		PILLAR , fixing, 4 BA	2	—	C	EAQ3
		WASHER	2	—	C	
28D/1010658 28D/9436920	A25/1B A25/1C 10-20 N 7159	BLOCK , terminal, coded "DA," group (Pre Mod. 803) BOLT , 4 BA BOLT , 2 BA, securing plate PIECE , distance	1 1 1	— — L.65	C C LM	EAQ3 EAQ3 EAQ3
5X/9450403	PLESSEY Z.28426 10-20 N 7121A	PILLAR , fixing, 4 BA (5340-99-945-0403) PLATE , mounting, complete with terminal block, assembly	1 1	— —	C —	EAQ3 EAQ3
	DHS.456/20L	BLOCK , terminal, 20-way, L.H., assembly (For breakdown see DHS. Data Sheet)	1	—	—	EAQ1
5X/9149643 28M/10327 5X/9450403	PLESSEY CZ.25111 AGS.2002/B/1 PLESSEY Z.28426	COVER , terminal block (5940-99-914-9643) NUT , 4 BA PILLAR , fixing, 4 BA (5340-99-945-0403)	1 1 1	— — —	C C C	EAQ3 EAQ3 EAQ3
28W/9419401 28W/9419465	10-20 N 7123ND SP.10/B SP.13/B	PLATE , mounting, terminal block, 18 SWG WASHER WASHER	1 1 1	L.72 — —	LM C C	EAQ3

ELECTRICAL INSTALLATIONS

INSTALLATION OF FUEL CONTENTS GAUGES, CODED "DR"

Ref. No.	Part No.	Description	No. off	Material Specification	Class of Store or L.M.	Plate No.
	—	BLOCK , terminal, coded "DA," group (Mod. 803)	1	—	—	
	DHS.456/20	BLOCK , terminal, 20-way, assembly ... (For breakdown see DHS. Data Sheet)	1	—	—	EAQ1A
5X/9149643	PLESSEY CZ.25111	COVER , terminal block (5940-99-914-9643)	1	—	C	EAQ3
5X/9450403	PLESSEY Z.28426	PILLAR , fixing, 4 BA (5340-99-945-0403) ...	2	—	C	EAQ3
	10-20 N 9/506 Mk. 6	CABLE , coded "11.CM.H.DRA-DRA.Q.R.4a," ... assembly	1	—	ECC	EAQ1A
	10-20 N 9/506 Mk. 4	CABLE , coded "12.CM.H.DR-DR.Q.R.3a," ... assembly	1	—	ECC	EAQ1 EAQ1A
	10-20 N 9/506 Mk. 5	CABLE , coded "14.CM.H.DRC-DRC.Q.R.6a," ... assembly	1	—	ECC	EAQ1 EAQ1A
	10-20 N 9/606 Mk. 2	CABLE , coded "20.CK.H.DRF-DRF.Q.R.C," ... assembly	1	—	ECC	EAQ1A
	10-20 N 13415/ CABLES	CABLES , link (For cables circuit coded "DR")	QR	—	ECC	EAQ1
	10-20 N 15771/ CABLES	CABLES , link (For cables circuit coded "DR")	QR	—	ECC	EAQ1A
	10-20 N 22251/ CABLES	CABLES , link (For cables circuit coded "DR")	QR	—	ECC	EAQ1A
10F/0510578	—	SWITCH , toggle, coded "AK" (5930-99-051-0578)	1	—	C	EAQ1
	—	INSTALLATION AT REAR OF COCKPIT, STARBOARD, STN. 154"39 (Drg. No. 10-20 N 11421)	1	—	—	
6A/4775	SMITHS INSTRUMENTS LA.9	AMPLIFIER , coded "CW" and "CV" ...	2	—	P	EAQ1 EAQ1A
6A/6472	SMITHS INSTRUMENTS LJA.63	CONNECTOR , "CW-Q17," assembly ...	1	—	—	EAQ1 EAQ1A
6A/6473	SMITHS INSTRUMENTS LJA.75	CONNECTOR , "CV-Q26," assembly ...	1	—	—	EAQ3 EAQ1 EAQ1A EAQ3
	—	INSTALLATION AT REAR PRESSURE BULK- HEAD, CODED "Q" (Drg. Nos. 10-20 N 14755A, 10-20 N 10635, 10-20 N 11421 and 10-20 N 11143)	1	—	—	
	—	BLOCK , fuse, coded "A," group ...	1	—	—	
10H/23864	—	BLOCK , fuse, 12-way (See sub-section EBV)	1	—	—	
	—	FUSE , 5 amp. ...	1	—	C	EAQ1 EAQ1A
	—	BLOCK , fuse, coded "B," group ...	1	—	—	
10H/23864	—	BLOCK , fuse, 12-way (See sub-section EBV) ...	1	—	—	
	—	FUSE , 5 amp. ...	1	—	C	EAQ1 EAQ1A
	—	BLOCK , fuse, coded "K," group ...	1	—	—	
10H/23864	—	BLOCK , fuse, 12-way (See sub-section EBV) ...	1	—	—	
	—	FUSE , 5 amp. ...	1	—	C	EAQ1 EAQ1A

ELECTRICAL INSTALLATIONS

INSTALLATION OF FUEL CONTENTS GAUGES, CODED "DR"

Ref. No.	Part No.	Description	No. off	Material Specification	Class of Store or L.M.	Plate No.
	—	BLOCK , terminal, coded "AA," group	1	—	—	
	DHS.456/20	BLOCK , terminal, 20-way, assembly (For breakdown see DHS. Data Sheet)	1	—	—	EAQ1 EAQ1A
5X/9149643	PLESSEY CZ.25111	COVER (5940-99-914-9643)	1	—	C	EAQ3
12732	10-20 N 8085	PILLAR , fixing, 4 BA	2	—	C	EAQ3
	10-20 N 12551A	CABLE , bung "Q4," coded "FB-Q," assembly (For cables circuit coded "D")	1	—	ECC	EAQ1A
	10-20 N 8751A/2	CABLE , bung "Q9," coded "FA-Q," assembly (Pre Mod. 96) (For cables circuit coded "DR")	1	—	ECC	EAQ1
	10-20 N 20767A	CABLE , bung "Q9," coded "FA-Q," assembly (Mod. 1016) (For cables circuit coded "DR")	1	—	ECC	EAQ1A
	10-20 N 9/506 Mk. 3	CABLE , coded "8.B.★2.DRF—DRF.Q.R.Ca," assembly	1	—	ECC	EAQ1 EAQ1A
	10-20 N 7615A/ CABLES	CABLES , link, circuit coded "DR" (Pre Mod. 96)	QR	—	ECC	EAQ1
	10-20 N 14755A/ CABLES	CABLES , link, circuit coded "DR" (Mods. 738 and 96)	QR	—	ECC	EAQ1A
6A/7196	SMITHS INSTRUMENTS LJB.72	CABLE , "Q17—ACF," assembly (Mod. 978) ...	1	—	C	EAQ2 EAQ3
6A/7402	SMITHS INSTRUMENTS LUB.88	CABLE , "Q26—ACD," assembly (Mod. 978) ...	1	—	C	EAQ2 EAQ3
5CW/6723	—	SWITCH , magnetic, Type 10B, No. 11, coded "R" (Pre Mod. 96)	1	—	P	EAQ1
5CW/6853	—	SWITCH , magnetic, Type 10B, No. 15, coded "R" (Mod. 879) Attachments for Ref. No. 5CW/6723 or 5CW/6853, Switch:—	1	—	P	EAQ1A
28S/1201448	A31/B10	Bolt, 4 BA	2	—	C	
28W/9416642	SP.47/B	Washer, spring	2	—	C	
6A/6087	SMITHS INSTRUMENTS LF.17	TERMINAL , bulkhead, coded "Q17" and "Q26"	2	—	C	EAQ1 EAQ1A
26DV/7529	—	TERMINAL , earth, station 2, coded "B," group	1	—	—	
26DV/4969	DHS.438/C	TAG , corrosion	1	—	C	
	DHS.437/C	TERMINAL , earth, assembly (For breakdown see DHS. Data Sheet)	1	—	C	EAQ1 EAQ1A
28M/10288	AGS.2001/C/1	Attachments for DHS.437/C, Terminal:—	9	—	C	
28W/9419475	SP.15/C	Nut, 2 BA	2	—	C	
	10-20 N 12539ND	Washer	2	—	C	
		Washer, 12 SWG	1	L.16	LM	
26DV/7529	—	TERMINAL , earth, station 3, coded "D," group	1	—	—	
26DV/4969	DHS.438/C	TAG , corrosion	1	—	C	
	DHS.437/C	TERMINAL , earth, assembly (For breakdown see DHS. Data Sheet)	1	—	C	EAQ1 EAQ1A
28M/10288	AGS.2001/C/1	Attachments for DHS.437/C, Terminal:—	2	—	C	
28W/9419475	SP.15/C	Nut, 2 BA	2	—	C	
		Washer	2	—	C	

ELECTRICAL INSTALLATIONS

INSTALLATION OF FUEL CONTENTS GAUGES, CODED "DR"

Ref. No.	Part No.	Description	No. off	Material Specification	Class of Store or L.M	Plate No.
	—	INSTALLATION AT STARBOARD WING DECK PANEL, CODED "FB" (Drg. Nos. 10-20 N 12401, 10-20 N 14863A and 10-20 N 11213)	1	—	—	
	—	BLOCK , terminal coded "A" and "C," group	1	—	—	
	DHS.456/20	BLOCK , terminal, 20-way, assembly ... (For breakdown see DHS. Data Sheet)	2	—	—	EAQ2
5X/9149643	PLESSEY CZ.25111	COVER , (5940-99-914-9643) ...	2	—	C	EAQ3
5X/9450403	PLESSEY Z.28426	PILLAR , fixing, 4 BA (5340-99-945-0403) ...	4	—	C	EAQ3
28W/9419474	SP.15/B	WASHER ...	4	—	C	
	10-20 N 6441A	CABLE , coded "FL.DR-DR.FB.A.20," assembly ...	1	—	ECC	EAQ2
	10-20 N 9/106 Mk. 25	CABLE , coded "10.A.FB.DRA-DRA.VH.11," assembly	1	—	ECC	EAQ2
	10-20 N 9/106 Mk. 15	CABLE , coded "6.C.FB.DR-DR.VH.15," assembly	1	—	ECC	EAQ2
	10-20 N 9/106 Mk. 16	CABLE , coded "7.C.FB.DR-DR.VH.13," assembly	1	—	ECC	EAQ2
	10-20 N 9/106 Mk. 17	CABLE , coded "8.C.FB.DR-DR.VH.12," assembly	1	—	ECC	EAQ2
	10-20 N 9/106 Mk. 18	CABLE , coded "9.C.FB.DR-DR.VH.14," assembly	1	—	ECC	EAQ2
	10-20 N 9/106 Mk. 19	CABLE , coded "10.C.FB.DR-DR.VH.10," assembly	1	—	ECC	EAQ2
	—	INSTALLATION AT PORT WING DECK PANEL, CODED "FA" (Drg. Nos. 10-20 N 12401, 10-20 N 11211 and 10-20 N 13301A)	1	—	—	
	—	BLOCK , terminal, coded "A" and "C," group	1	—	—	
	DHS.456/20	BLOCK , terminal, 20-way, assembly ... (For breakdown see DHS. Data Sheet)	2	—	—	EAQ2
5X/9149643	PLESSEY CZ.25111	COVER , terminal block (5940-99-914-9643)	2	—	C	EAQ3
5X/9450403	PLESSEY Z.28426	PILLAR , fixing, 4 BA (5340-99-945-0403) ...	4	—	C	EAQ3
28W/9519474	SP.15/B	WASHER ...	4	—	C	
	10-20 N 11425A	CABLE , coded "FK.DR-DR.FA.A.20," assembly	1	—	ECC	EAQ2
	10-20 N 9/606 Mk. 26	CABLE , coded "10.A.FA.DRC-DRC.PH.11," assembly	1	—	ECC	EAQ2
	10-20 N 9/606 Mk. 10	CABLE , coded "6.C.FA.DR-DR.PH.15," assembly	1	—	ECC	EAQ2
	10-20 N 9/606 Mk. 11	CABLE , coded "7.C.FA.DR-DR.PH.13," assembly	1	—	ECC	EAQ2
	10-20 N 9/606 Mk. 12	CABLE , coded "8.C.FA.DR-DR.PH.12," assembly	1	—	ECC	EAQ2

INSTALLATION OF FUEL CONTENTS GAUGES, CODED "DR"

Ref. No.	Part No.	Description	No. off	Material Specification	Class of Score or L.M.	Plate No.
	10-20 N 9/606 Mk. 13	CABLE , coded "9.C.FA.DR-DR.PH.14," assembly	1	—	ECC	EAQ2
	10-20 N 9/606 Mk. 14	CABLE , coded "10.C.FA.DR-DR.PH.10," assembly	1	—	ECC	EAQ2
	—	INSTALLATION AT CENTRE SECTION, STARBOARD (Drg. No. 10-20 N 11701)				
	10-20 N 2543A	CABLE , coded "FL.DR-DR.VP," assembly	1	—	ECC	EAQ2
6A/6470	SMITHS INST. LTD. LJA.240	CONNECTOR , "FL-DP," assembly	1	—	C	EAQ2 EAQ3
6A/4789	SMITHS INST. LTD. LF.22	CONNECTOR , tee	1	—	C	EAQ3
	—	UNIT , fuel contents. tank No. 1, coded "FL," group	1	—	—	EAQ3
6A/4791	SMITHS INST. LTD. LG.19	BRACKET , mounting	2	—	C	EAQ3
		Attachments for LG.19, Bracket :—				
28D/9436920	A25/1C	Bolt, 2 BA	2	—	C	
28M/10328	AGS.2002/C/1	Nut, 2 BA	2	—	C	
28W/9419402	SP.13/C	Washer	2	—	C	
28E/8018279	AS.3180/4C	CLIP , "P"	8	—	C	
		Attachments for AS.3180/4C, Clip :—				
28D/9436920	A25/1C	Bolt, 2 BA	1	—	C	
28M/10328	AGS.2002/C/1	Nut, 2 BA	1	—	C	
28E/9471024	AS.5418/24	CLIP , support, "P" Type	3	—	C	
28E/16575	AS.5418/28	CLIP , support, "P" Type	5	—	C	
6A/5822	SMITHS INST. LTD. LJB.89	CONNECTOR , assembly	1	—	C	EAQ3
6A/	SMITHS INST. LTD. LJR.89	CONNECTOR , assembly (Mod. 1218)	1	—	—	EAQ3
6A/	SMITHS INST. LTD. LJS.89	CONNECTOR , assembly (Mod. 1218)	1	—	—	EAQ3
5K/3408	AS.3360B/6/C	LEAD , bonding	1	—	C	
		Attachments for Ref. No. 5K/3408, Lead :—				
28D/1010658	A25/1B	Bolt, 4 BA	1	—	C	
28M/10287	AGS.2001/B/1	Nut, 4 BA	1	—	C	
6A/4793	SMITHS INST. LTD. LF.51	PLATE , terminal	1	—	P	EAQ3
		Attachments for Ref. No. 6A/4793, Plate :—				
28D/1010030	A25/7C	Bolt, 2 BA	6	—	C	
26DL/5456	DHS.402/C	Seal, bonding	6	—	C	EAQ3
3565	10 N 3305A	Washer, sealing	1	—	C	EAQ3
6A/5496	SMITHS INST. LTD. LB.137	UNIT , tank contents	1	—	P	EAQ2 EAQ3

ELECTRICAL INSTALLATIONS

INSTALLATION OF FUEL CONTENTS GAUGES, CODED "DR"

Ref. No.	Part No.	Description	No. off	Material Specification	Class of Store or L.M	Plate No.
		INSTALLATION AT CENTRE SECTION, PORT (Drg. No. 10-20 N 11655)	1	—	—	
	10-20 N 11423A SMITHS INST. LTD. LJA. 240	CABLE , coded "FK.DR-DR.PP," assembly ...	1	—	ECC	EAQ2
6A/6470		CONNECTOR , "FK-PP," assembly ...	1	—	C	EAQ2 EAQ3
	SMITHS INST. LTD. LF. 22	CONNECTOR , tee ...	1	—	C	EAQ3
6A/4789		UNIT , No. 1 tank fuel contents, coded "FK," group	1	—	—	EAQ3
	SMITHS INST. LTD. LG.19	BRACKET , mounting ...	2	—	C	EAQ3
		Attachments for LG. 19, Bracket :—				
28D/9436920	A25/1C	Bolt, 2 BA ...	2	—	C	
28M/10328	AGS.2002/C/1	Nut, 2 BA ...	2	—	C	
28W/9419402	SP.13/C	Washer ...	2	—	C	
	AS.3180/4C	CLIP , "P" ...	8	—	C	
		Attachments for AS.3180/4C, Clip :—				
28D/9436920	A25/1C	Bolt, 2 BA ...	1	—	C	
28M/10328	AGS.2002/C/1	Nut, 2 BA ...	1	—	C	
	AS.5418/24	CLIP , support, "P" Type ...	3	—	C	
28E/9471024	AS.5418/28	CLIP , support, "P" Type ...	5	—	C	
	SMITHS INST. LTD. LJB. 89	CONNECTOR , assembly ...	1	—	C	EAQ3
6A/5822		CONNECTOR , assembly (Mod. 1218) ...	1	—	—	EAQ3
6A/	LJR. 89	CONNECTOR , assembly (Mod. 1218) ...	1	—	—	EAQ3
6A/	LJS. 89	LEAD , bonding, flexible ...	1	—	C	
5K/3408	AS.3360B/6/C	Attachments for Ref. No. 5K/3408, Lead :—				
28D/1010658	A25/1B	Bolt, 4 BA ...	1	—	C	
28M/10287	AGS.2001/B/1	Nut, 4 BA ...	1	—	C	
	SMITHS INST. LTD. LF. 51	PLATE , terminal ...	1	—	P	EAQ3
		Attachments for Ref. No. 6A/4793, Plate :—				
28D/7002428	A25/6C	Bolt, 2 BA ...	6	—	C	
26DL/5456	DHS.402/C	Seal, bonding ...	6	—	C	EAQ3
3565	10 N 3305A	Washer, sealing ...	1	—	C	EAQ3
	SMITHS INST. LTD. LB. 136	UNIT , tank contents ...	1	—	P	EAQ2 EAQ3

ELECTRICAL INSTALLATIONS

INSTALLATION OF FUEL CONTENTS GAUGES, CODED "DR"

Ref. No.	Part No.	Description	No. off	Material Specification	Class of Score or L.M.	Place No.
	—	INSTALLATION AT STARBOARD WING, OUTBOARD OF RIB No. 1 (Drg. No. 10-20 N 11701)	1	—	—	
	10-20 N 2545A SMITHS INST. LTD.	CABLE , coded "VP.DR—DR.VH.9," assembly ...	1	—	ECC	EAQ2
6A/7403	LJB.134 SMITHS INST. LTD.	CONNECTOR , "VP—ACF," assembly (Mod. 978)	1	—	—	EAQ2 EAQ3
6A/4788	LF.21 —	CONNECTOR , tee	1	—	C	EAQ3
	SMITHS INST. LTD.	UNIT , No. 1A tank fuel contents, coded "VP," group	1	—	—	
6A/4791	LG.19	BRACKET , mounting	2	—	C	EAQ3
28D/9436920	A25/1C	Attachments for Ref. No. 6A/4791, Bracket:—	2	—	C	
28M/10328	AGS.2002/C/1	Bolt, 2 BA	2	—	C	
	SMITHS INST. LTD.	Nut, 2 BA	2	—	C	
6A/5820	LJB.43 SMITHS INST. LTD.	CONNECTOR , assembly	1	—	C	EAQ3
6A/—	LJR.43	CONNECTOR , assembly (Mod. 1218) ...	1	—	C	EAQ3
28E/8018279	AS.3180/4C	CLIP , "P"	5	—	C	
	SMITHS INST. LTD.	Attachments for AS.3180/4C, Clip:—				
28D/9436920	A25/1C	Bolt, 2 BA	1	—	C	
28M/10328	AGS.2002/C/1	Nut, 2 BA	1	—	C	
28E/9000884	AS.3180/13C	CLIP , "P"	1	—	C	
28E/9450596	AS.3180/15C	CLIP , "P"	1	—	C	
28E/16575	AS.4518/28	CLIP , support, "P" Type	3	—	C	
5K/3408	AS.3360B/6/C	LEAD , bonding, flexible	1	—	C	
	SMITHS INST. LTD.	Attachments for Ref. No. 5K/3408, Lead:—				
28D/1010658	A25/1B	Bolt, 4 BA	1	—	C	
28M/10287	AGS.2001/B/1	Nut, 4 BA	1	—	C	
6A/5278	LB.66	UNIT , fuel contents	1	—	P	EAQ2 EAQ3
	—	INSTALLATION AT PORT WING, OUTBOARD OF RIB No. 1 (Drg. Nos. 10-20 N 11655 and 10-20 N 2785)	1	—	—	
	10-20 N 2541A	CABLE , coded "PP.DR—DR.PH.9," assembly ... (Pre Mod. 655)	1	—	ECC	EAQ2
	10-20 N 14321A	CABLE , coded "PP.DR—DR.PH.9," assembly (Mod. 655)	1	—	ECC	EAQ2
6A/7403	LJB.134 SMITHS INST. LTD.	CONNECTOR , "PP—ACD," assembly (Mod. 978)	1	—	C	EAQ2 EAQ3
6A/4788	LF.21 SMITHS INST. LTD.	CONNECTOR , tee	1	—	C	EAQ3

ELECTRICAL INSTALLATIONS

INSTALLATION OF FUEL CONTENTS GAUGES, CODED "DR"

Ref. No.	Part No.	Description	No. off	Material Specification	Class of Store or L.M.	Plate No.
	—	UNIT, No. 1A tank fuel contents, coded "PP," group	1	—	—	EAQ3
6A/4791	SMITHS INST. LTD. LG.19	BRACKET, mounting	2	—	C	EAQ3
28D/9436920	A25/1C	Attachments for Ref. No. 6A/4791, Bracket :-				
28M/10328	AGS.2002/C/1	Bolt, 2 BA	2	—	C	
		Nut, 2 BA	2	—	C	
28E/8018279	AS.3180/4C	CLIP, "P"	3	—	C	
28D/9436920	A25/1C	Attachments for AS.3180/4C, Clip :-				
28M/10328	AGS.2002/C/1	Bolt, 2 BA	1	—	C	
		Nut, 2 BA	1	—	C	
28E/14901	AS.5418/32	CLIP, support, "P" Type	3	—	C	
6A/5816	SMITHS INST. LTD. LJB.31	CONNECTOR, assembly	1	—	C	EAQ3
6A/—	SMITHS INST. LTD. LJR.31	CONNECTOR, assembly	1	—	—	EAQ3
5K/3408	AS.3360B/6/C	LEAD, bonding	1	—	C	
28D/1010658	A25/1B	Attachments for Ref. No. 5K/3408, Lead :-				
28M/10287	AGS.2001/B/1	Bolt, 4 BA	1	—	C	
		Nut, 4 BA	1	—	C	
6A/4779	SMITHS INST. LTD. LB.59	UNIT, fuel contents	1	—	P	EAQ2 EAQ3
	—	INSTALLATION AT FRONT SPAR, STARBOARD WING (Drg. No. 10-20 N 11213)	1	—	—	
6A/6476	10-20 N 2601A SMITHS INST. LTD. LJA.48	CABLE, coded "VE.DR-DR.VH.16," assembly	1	—	ECC	EAQ2
6A/7399	SMITHS INST. LTD. LUB.66	CONNECTOR, assembly	5	—	C	EAQ2 EAQ3
6A/7401	SMITHS INST. LTD. LUB.84	CONNECTOR, "ACF-VJ," assembly (Mod. 978)	1	—	C	EAQ2
	—	CONNECTOR, "ACF-VJ," assembly (Mod. 978)	1	—	C	EAQ2
6A/4791	SMITHS INST. LTD. LG.19	UNIT, No. 2 tank fuel contents, coded "VE," group	1	—	—	EAQ3
28D/9436920	A25/1C	BRACKET, mounting	4	—	C	EAQ3
28M/10328	AGS.2002/C/1	Attachments for Ref. No. 6A/4791, Bracket :-				
		Bolt, 2 BA	2	—	C	
		Nut, 2 BA	5	—	C	
28E/8018279	AS.3180/4C	CLIP, "P"	4	—	C	
28E/1201808	AS.3180/6C	CLIP, "P"	2	—	C	
28E/14054	AS.3180/7C	CLIP, "P"	3	—	C	
28E/9471024	AS.5418/24	CLIP, support, "P" Type	4	—	C	
28D/9436920	A25/1C	Attachments for AS.3180/4C, AS.3180/6C, AS.3180/7C or AS.5418/24, Clip :-				
28M/10328	AGS.2002/C/1	Bolt, 2 BA	1	—	C	
		Nut, 2 BA	1	—	C	

INSTALLATION OF FUEL CONTENTS GAUGES, CODED "DR"

Ref. No.	Part No.	Description	No. off					Material Specification	Class of Store or L.M.	Plate No.
			1	2	3	4	5			
6A/5818	SMITHS INST. LTD. LJB.36	CONNECTOR , assembly					1	—	C	EAQ3
6A/	SMITHS INST. LTD. LJR.36	CONNECTOR , assembly (Mod. 1218) ...					1	—	—	EAQ3
6A/5339	SMITHS INST. LTD. LJB.62	CONNECTOR , assembly					1	—	C	EAQ3
6A/	SMITHS INST. LTD. LJR.62	CONNECTOR , assembly (Mod. 1218) ...					1	—	—	EAQ3
	10-20 N 15094	FAIRLEAD , 2"0×0"5× $\frac{3}{16}$ " thick (Mod. 893)					2	LFS.21, 23 or 26	LM	EAQ3
		Attachments for 10-20 N 15049, Fairlead (Per pair) :—								
28D/9133011	A25/2C	Bolt, 2 BA					4	—	C	
28M/10328	AGS.2002/C/1	Nut, 2 BA					4	—	C	
5K/3408	AS.3360B/6/C	LEAD , bonding					2	—	C	
		Attachments for Ref. No. 5K/3408, Lead :—								
28D/1010658	A25/1B	Bolt, 4 BA					1	—	C	
28M/10287	AGS.2001/B/1	Nut, 4 BA					1	—	C	
6A/4794	SMITHS INST. LTD. LF.52	PLATE , terminal					1	—	P	EAQ3
		Attachments for Ref. No. 6A/4794, Plate :—								
28D/9133012	A25/3C	Bolt, 2 BA					6	—	C	
28M/10328	AGS.2002/C/1	Nut, 2 BA					6	—	C	
26DL/5456	DHS.402/C	Seal, bonded					6	—	C	EAQ3
3565	10 N 3305A	Washer, sealing					1	—	C	EAQ3
	10-20 N 458A	TUBE , cable support, assembly					1	—	LM	EAQ3
		Attachments for 10-20 N 458A, Tube :—								
28D/1011244	A25/9E	Bolt, $\frac{1}{2}$ " BSF					1	—	C	
3568	DHS.393/3E	Bolt, $\frac{1}{2}$ " BSF					1	—	C	EAQ3
28M/10282	AGS.2001/E/3	Nut, $\frac{1}{2}$ " BSF					1	—	C	
2227	DHS.983/E	Nut, $\frac{3}{4}$ " BSF					1	L.65	C	EAQ3
26DL/5611	DHS.402/E	Seal, bonded					1	—	C	EAQ3
28VV/9419405	SP.15/E	Washer					1	—	C	
2359	DHS.388/E	Washer, sealing					1	—	C	EAQ3
6A/4780	SMITHS INST. LTD. LB.60	UNIT , fuel contents					1	—	P	EAQ2
6A/5280	SMITHS INST. LTD. LB.68	UNIT , fuel contents					1	—	P	EAQ2
	—	INSTALLATION AT FRONT SPAR, PORT WING (Drg. No. 10-20 N 11211)					1	—	—	
	10-20 N 2479A	CABLE , coded "PE.DR—DR.PH.16," assembly...					1	—	ECC	EAQ2
	10-20 N 14013A	CABLE , coded "PE.DR—DR.PH.16," assembly (Mod. 655)					1	—	ECC	EAQ2
6A/6476	SMITHS INST. LTD. LJA.48	CONNECTOR , assembly					1	—	C	EAQ2 EAQ3
6A/7399	SMITHS INST. LTD. LUB.66	CONNECTOR , "ACD—PJ," assembly (Mod. 978)					1	—	—	EAQ2
6A/6400	SMITHS INST. LTD. LUB.80	CONNECTOR , "ACD—PJ," assembly (Mod. 978)					1	—	—	EAQ2

ELECTRICAL INSTALLATIONS

INSTALLATION OF FUEL CONTENTS GAUGES, CODED "DR"

Ref. No.	Part No.	Description	No. off	Material Specification	Class of Store or LM	Place No.
	—	UNIT , No. 2 tank fuel contents, coded "PE," group	1	—	—	
6A/4791	SMITHS INST. LTD. LG.19	BRACKET , mounting	4	—	C	EAQ3
		Attachments for Ref. No. 6A/4791, Bracket :—				
28D/9436920	A25/1C	Bolt, 2 BA	2	—	C	
28M/10328	AGS.2002/C/1	Nut, 2 BA	2	—	C	
28E/8018279	AS.3180/4C	CLIP , "P"	4	—	C	
28E/1201808	AS.3180/6C	CLIP , "P"	2	—	C	
28E/14054	AS.3180/7C	CLIP , "P"	3	—	C	
28E/9471024	AS.5418/24	CLIP , support, "P" Type	4	—	C	
		Attachments for AS.3180/4C, AS.3180/6C, AS.3180/7C or AS.5418/24, Clip :—				
28D/9436920	A25/1C	Bolt, 2 BA	1	—	C	
28M/10328	AGS.2002/C/1	Nut, 2 BA	1	—	C	
6A/5818	SMITHS INST. LTD. LJB.36	CONNECTOR , assembly	1	—	C	EAQ3
6A/	SMITHS INST. LTD. LJR.36	CONNECTOR , assembly (Mod. 1218) ...	1	—	—	EAQ3
6A/5339	SMITHS INST. LTD. LJB.62	CONNECTOR , assembly	1	—	C	EAQ3
6A/	SMITHS INST. LTD LJR.62	CONNECTOR , assembly (Mod. 1218) ...	1	—	—	EAQ3
	10-20 N 15049	FAIRLEAD , 2"0 × 0"5 × $\frac{3}{16}$ " thick (Mod. 893)	1	LFS.21,	LM	EAQ3
		Attachments for 10-20 N 15049, Fairlead (Per Pair) :—		23 or 26		
28D/9133011	A25/2C	Bolt, 2 BA	4	—	C	
28M/10328	AGS.2002/C/1	Nut, 2 BA	4	—	C	
5K/3408	AS.3360B/6/C	LEAD , bonding	2	—	C	
		Attachments for Ref. No. 5K/3408, Lead :—				
28D/1010658	A25/1B	Bolt, 4 BA	1	—	C	
28M/10287	AGS.2001/B/1	Nut, 4 BA	1	—	C	
6A/4794	SMITHS INST. LTD. LF.52	PLATE , terminal	1	—	P	EAQ3
		Attachments for Ref. No. 6A/4794, Plate :—				
28D/9133012	A25/3C	Bolt, 2 BA	6	—	C	
28M/10328	AGS.2002/C/1	Nut, 2 BA	6	—	C	
26DL/5456	DHS.402/C	Seal, bonded	6	—	C	EAQ3
3565	10 N 3305A	Washer, sealing	1	—	C	EAQ3
	10-20 N 457A	TUBE , cable support, assembly	1	—	LM	EAQ3
		Attachments for 10-20 N 457A, Tube :—				
28D/1011244	A25/9E	Bolt, $\frac{1}{4}$ " BSF	1	—	C	
3568	DHS.393/3E	Bolt, $\frac{1}{4}$ " BSF	1	—	C	EAQ3
28M/10282	AGS.2001/E/3	Nut, $\frac{1}{4}$ " BSF	1	—	C	
2227	DHS.983/E	Nut, $\frac{1}{4}$ " BSF	1	—	C	EAQ3
26DL/5611	DHS.402/E	Seal, bonded	1	—	C	EAQ3
28VV/9419405	SP.15/E	Washer	1	—	C	
2359	DHS.388/E	Washer, sealing	1	—	C	EAQ3

INSTALLATION OF FUEL CONTENTS GAUGES, CODED "DR"

Ref. No.	Part No.	Description	No. off	Material Specification	Class of Store or L.M.	Plate No.
6A/4781	SMITHS INST. Ltd. LB.61	UNIT , fuel contents	1	—	P	EAQ2
6A/5279	SMITHS INST. LTD. LB.67	UNIT , fuel contents	1	—	P	EAQ3 EAQ2 EAQ3
—	—	INSTALLATION AT RIB 3A, STARBOARD WING (Drg. No. 10-20 N 11213)	1	—	—	—
—	DHS.456/20	BLOCK , terminal, 20-way, coded "VH," assembly (For breakdown see DHS. Data Sheet)	1	—	—	EAQ2
28D/12690	AS.1246/5B	Attachments for DHS.456/20, Block :— Bolt, 4 BA	2	—	C	—
—	10-20 N 2473A	CABLE , coded "VJ," assembly	1	—	ECC	EAQ2
—	10-20 N 8993A	CABLE , coded "VM.1," assembly (For cables circuit coded "DR")	1	—	ECC	EAQ2
—	—	INSTALLATION AT RIB 3A, PORT WING (Drg. No. 10-20 N 9477)	1	—	—	—
—	—	BLOCK , terminal, coded "PH," group	1	—	—	—
—	DHS.456/20L	BLOCK , terminal, 20-way, assembly (For breakdown see DHS. Data Sheet)	1	—	—	EAQ2
28M/10327	AGS.2002/B/1	NUT , 4 BA	2	—	C	—
5X/3278	PLESSEY Z.28426	PILLAR , fixing, 4 BA	2	—	C	—
28W/9419465	SP.13/B	WASHER	2	—	C	—
—	10-20 N 9453A	CABLE , coded "PJ," assembly (Mod. 2) (For cables circuit coded "DR")	1	—	ECC	EAQ2
—	10-20 N 13895A	CABLE , coded "SH1," assembly (Mod. 655) (For cables circuit coded "DR")	1	—	ECC	EAQ2
—	—	INSTALLATION AT STARBOARD WING, BETWEEN RIBS 3A AND 4 (Drg. Nos. 10-20 N 11213 and 10-20 N 11513)	1	—	—	—
6A/6183	SMITH INST. LTD. BW.45	BOX , relay, tank selector, coded "VJ"... (Pre Mod. 1175)	1	—	P	EAQ2
6A/—	SMITH INST. LTD. BW.45 (Mod. 02)	BOX , relay, tank selector, coded "VJ" (Mod. 1175)	1	—	—	EAQ2
28D/1012995	A25/22C	Attachments for BW.45, Box :— Bolt, 2 BA	4	—	C	—

ELECTRICAL INSTALLATIONS

INSTALLATION OF FUEL CONTENTS GAUGES, CODED "DR"

Ref. No.	Part No.	Description	No. off						Material Specification	Class of Store or L.M.	Plate No.
			1	2	3	4	5	6			
6A/6471	SMITHS INST. LTD. LJB.138	CONNECTOR , "VJ—XB," assembly	1						—	—	EAQ2 EAQ3
6A/6667	SMITHS INST. LTD. LJB.69	CONNECTOR , "VJ—XE," assembly	1						—	—	EAQ2
5K/9107067	— T.3	TERMINAL , earth, station 12, coded "A," group	1						—	—	
26DV/7529	DHS.438/C	MARKER , tag, coded ★12	1						—	C	
26DV/4969	DHS.437/C	TAG , corrosion	1						—	C	
		TERMINAL , earth, assembly (For breakdown see DHS. Data Sheet)	1						—	C	EAQ2
28D/9138768	A25/½C	Attachments for DHS.437/C. Terminal :— Bolt, 2 BA	2						—	C	
	—	INSTALLATION AT PORT WING, BETWEEN RIBS 3A AND 4A (Drg. Nos. 10-20 N 11211, 10-20 N 9477 and 10-20 N 11565)	1						—	—	
6A/6183	SMITHS INST. LTD. BW.45	BOX , relay, tank selector, coded "PJ" ... (Pre Mod. 1175)	1						—	P	EAQ2
6A/—	SMITHS INST. LTD. BW.45 (Mod. 02)	BOX , relay, tank selector, coded "PJ" (Mod. 1175) Attachments for BW.45, Box :—	1						—	—	EAQ2
28D/1012995	A25/22C	Bolt, 2 BA	4						—	C	
6A/6471	SMITHS INST. LTD. LJB.138	CONNECTOR , "PJ—SB," assembly	1						—	C	EAQ2 EAQ3
6A/6667	SMITHS INST. LTD. LJB.69	CONNECTOR , "PJ—SE," assembly	1						—	C	EAQ2 EAQ3
5K/9107067	— T.3	TERMINAL , earth, station 13, coded "A," group	1						—	—	
26DV/7529	DHS.438/C	MARKER , tag, coded ★13	1						—	C	
26DV/4969	DHS.437/C	TAG , corrosion	1						—	C	
		TERMINAL , earth, assembly (For breakdown see DHS. Data Sheet)	1						—	C	EAQ2
28D/9138768	A25/½C	Attachments for DHS.437/C. Terminal :— Bolt, 2 BA	2						—	C	
	—	INSTALLATION AT WING RIB 4 (Drg. No. 10-20 N 11513)	1						—	—	
	10-20 N 8995A	CABLE , coded "VM1—XH1," assembly ... (For cables circuit coded "DR")	1						—	ECC	EAQ2

ELECTRICAL INSTALLATIONS

INSTALLATION OF FUEL CONTENTS GAUGES, CODED "DR"

Ref. No.	Part No.	Description	No. off	Material Specification	Class of Store or L.M	Plate No.
	—	INSTALLATION AT WING RIB 4A (Drg. Nos. 10-20 N 11509 and 10-20 N 11511)	1	—	—	
	10-20 N 8979A	CABLE , coded "SH1," Port, assembly ...	1	—	ECC	EAQ2
	10-20 N 8997A	(For cables circuit coded "DR") CABLE , coded "XH1," Starboard, assembly ...	1	—	ECC	EAQ2
	—	(For cables circuit coded "DR")				
	—	INSTALLATION AT STARBOARD WING, BETWEEN RIBS 4A AND 4B (Drg. No. 10-20 N 11511)	1	—	—	
	DHS.456/20	BLOCK , terminal, 20-way, coded "XG," group	1	—	—	
		BLOCK , terminal, 20-way, assembly ...	1	—	—	
		(For breakdown see DHS. Data Sheet)				
		Attachments for DHS.456/20, Block :—				
28S/1011488	A32/B28	Screw, 4 BA	2	—	C	
28W/9419401	SP.10/B	Washer	2	—	C	
	10-20 N 2133A	CABLE , coded "XB.DR—DR.XG.6," assembly ...	1	—	ECC	EAQ2
	10-20 N 2129A	CABLE , coded "XE.DR—DR.XG.1," assembly ...	1	—	ECC	EAQ2
	—	INSTALLATION AT PORT WING, BETWEEN RIBS 4A AND 4B (Drg. Nos. 10-20 N 11509 and 10-20 N 5907)	1	—	—	
	DHS.456/20	BLOCK , terminal, coded "SG," group ...	1	—	—	
		BLOCK , terminal, 20-way, assembly ...	1	—	—	EAQ2
		(For breakdown see DHS. Data Sheet)				
		Attachments for DHS.456/20, Block :—				
28S/1011488	A32/B28	Screw, 4 BA	2	—	C	
28W/9419401	SP.10/B	Washer	2	—	C	
	10-20 N 2131A	CABLE , coded "SB.DR—DR.SG.6," assembly ...	1	—	ECC	EAQ2
	10-20 N 2127A	CABLE , coded "SE.DR—DR.SG.1," assembly ...	1	—	ECC	EAQ2
	—	INSTALLATION AT No. 3 TANK, STARBOARD WING, CODED "XE" (Drg. No. 10-20 N 2787)	1	—	—	
6A/4791	SMITHS INST. LTD. LG.19	BRACKET , mounting	3	—	C	EAQ3
6A/5394	SMITHS INST. LTD. LG.21	BRACKET , mounting, at tank unit LB.127	1	—	C	EAQ3
		Attachments for Ref. No. 6A/4791 or 6A/5394, Bracket :—				
28D/9436920	A25/1C	Bolt, 2 BA, at tank unit LB.127	2	—	C	
28D/9133012	A25/3C	Bolt, 2 BA, at tank unit LB.70	2	—	C	
28M/10339	AGS.2002/C/2	Nut, 2 BA	2	—	C	
	10-20 N 479	Spacer, at tank unit LB.70	2	LFB.82 or 89	LM	EAQ3

ELECTRICAL INSTALLATIONS

INSTALLATION OF FUEL CONTENTS GAUGES, CODED "DR"

Ref. No.	Part No.	Description	No. off	Material Specification	Class of Store or L.M	Plate No.
6A/5331	SMITHS INST. LTD. LJB.42	CONNECTOR , assembly	1	—	C	EAQ3
6A/	SMITHS INST. LTD. LJR.42	CONNECTOR , assembly (Mod. 1218)	1	—	—	EAQ3
6A/5337	SMITHS INST. LTD. LJB.60	CONNECTOR , assembly	1	—	C	EAQ3
6A/	SMITHS INST. LTD. LJR.60	CONNECTOR , assembly (Mod. 1218)	1	—	—	EAQ3
28E/1200546	AS.3180/5C	CLIP , "P"	13	—	C	
28E/1012876	AS.3181/4C	CLIP , "P"	4	—	C	
		Attachments for AS.3180/5C or AS.3181/4C, Clip :—				
28D/9436920	A25/1C	Bolt , 2 BA	1	—	C	
28M/10328	AGS.2002/C/1	Nut , 2 BA	1	—	C	
	10-20 N 15049	FAIRLEAD , 2"-0 × 0"-5 × $\frac{3}{16}$ " thick (Mod. 893)	2	LFS.21, 23 or 26	LM	EAQ3
		Attachments for 10-20 N 15049, Fairlead (per pair) :				
28D/9436920	A25/1C	Bolt , 2 BA	4	—	C	
28M/10328	AGS.2002/C/1	Nut , 2 BA	4	—	C	
5K/3408	AS.3360/B6/C	LEAD , bonding, at tank unit LB.127	1	—	C	
		Attachments for Ref. No. 5K/3408, Lead :—				
28D/1010658	A25/1B	Bolt , 4 BA	1	—	C	
28M/10287	AGS.2001/B/1	Nut , 4 BA	1	—	C	
5K/3408	AS.3360B/6/C	LEAD , bonding, at tank unit LB.70	1	—	C	
		Attachments for Ref. No. 5K/3408, Lead :—				
28D/1010658	A25/1B	Bolt , 4 BA	2	—	C	
28M/10287	AGS.2001/B/1	Nut , 4 BA	2	—	C	
6A/4794	SMITHS INST. LTD. LF.52	PLATE , terminal	1	—	P	EAQ3
		Attachments for Ref. No. 6A/4794, Plate :—				
28D/9133012	A25/3C	Bolt , 2 BA	6	—	C	
28M/10328	AGS.2002/C/1	Nut , 2 BA	6	—	C	
26DL/5456	DHS.402/C	Seal , bonded	6	—	C	EAQ3
3565	10 N 3305A	Washer , sealing	1	—	C	EAQ3
	10-20 N 460A	TUBE , cable support, assembly	1	—	LM	EAQ3
		Attachments for 10-20 N 460A, Tube :—				
3568	DHS.393/3E	Bolt , $\frac{1}{4}$ " BSF	2	—	C	EAQ3
26DV/7310	DHS.202/E	Nut , $\frac{1}{4}$ " BSF	2	—	C	EAQ3
28W/9419405	SP.15/E	Washer	2	—	C	
	10-20 N 2793ND	TUBE , cable support, $\frac{1}{2}$ " o/d × 20 SWG × 13"-5 long	1	L.67	LM	
	10-20 N 2795ND	TUBE , cable support, $\frac{1}{2}$ " o/d × 20 SWG × 19"-0 long	1	L.67	LM	
6A/5282	SMITHS INST. LTD. LB.70	UNIT , fuel contents	1	—	P	EAQ3
6A/5281	SMITHS INST. LTD. LB.127	UNIT , fuel contents	1	—	P	EAQ3

ELECTRICAL INSTALLATIONS

INSTALLATION OF FUEL CONTENTS GAUGES, CODED "DR"

Ref. No.	Part No.	Description	No. off	Material Specification	Class of Store or L.M.	Plate No.
	—	INSTALLATION AT No. 3 TANK, PORT WING, CODED "SE" (Drg. No. 10-20 N 2787)	1	—	—	
6A/4791	SMITHS INST. LTD. LG.19	BRACKET , mounting	3	—	C	EAQ3
6A/5394	SMITHS INST. LTD. LG.21	BRACKET , mounting, at tank unit LB.126 Attachments for Ref. No. 6A/4791 or 6A/5394, Bracket :—	1	—	C	EAQ3
28D/9436920	A25/1C	Bolt, 2 BA, at tank unit LB.126	2	—	C	
28D/9133012	A25/3C	Bolt, 2 BA, at tank unit LB.63	2	—	C	
28M/10328	AGS.2002/C/1 10-20 N 479	Nut, 2 BA	2	—	C	
		Spacer, at tank unit LB.63	2	LFB.82 or 89	LM	EAQ3
6A/5331	SMITHS INST. LTD. LJB.42	CONNECTOR , assembly	1	—	C	EAQ3
6A/	SMITHS INST. LTD. LJR.42	CONNECTOR , assembly (Mod. 1218)	1	—	—	EAQ3
6A/5337	SMITHS INST. LTD. LJB.60	CONNECTOR , assembly	1	—	C	EAQ3
6A/	SMITHS INST. LTD. LJR.60	CONNECTOR , assembly (Mod. 1218)	1	—	—	EAQ3
28E/1200546	AS.3180/5C	CLIP , "P"	13	—	C	
28E/1012876	AS.3181/4C	CLIP , "P"	4	—	C	
		Attachments for AS.3180/5C or AS.3181/4C, Clip :—				
28D/9436920	A25/1C	Bolt, 2 BA	1	—	C	
28M/10328	AGS.2002/C/1	Nut, 2 BA	1	—	C	
	10-20 N 15049	FAIRLEAD , 2"0 × 0"5 × 1/8" thick (Mod. 893)	2	LFS.21 23 or 26	LM	EAQ3
		Attachments for 10-20 N 15049, Fairlead (per pair) :—				
28D/9436920	A25/1C	Bolt, 2 BA	4	—	C	
28M/10328	AGS.2002/C/1	Nut, 2 BA	4	—	C	
5K/3408	AS.3360B/6/C	LEAD , bonding, flexible, at tank unit LB.126... Attachments for Ref. No. 5K/3408, Lead :—	1	—	C	
28D/1010658	A25/1B	Bolt, 4 BA	1	—	C	
28M/10287	AGS.2001/B/1	Nut, 4 BA	1	—	C	
5K/3408	AS.3360B/6/C	LEAD , bonding, flexible, at tank unit LB.63 Attachments for Ref. No. 5K/3408, Lead :—	1	—	C	
28D/1010658	A25/1B	Bolt, 4 BA	2	—	C	
28M/10287	AGS.2001/B/1	Nut, 4 BA	2	—	C	
6A/4794	SMITHS INST. LTD. LF.52	PLATE , terminal Attachments for Ref. No. 6A/4794, Plate :—	1	—	P	EAQ3
28D/9133012	A25/3C	Bolt, 2 BA	6	—	C	
28M/10328	AGS.2002/C/1	Nut, 2 BA	6	—	C	
26DL/5456	DHS.402/C	Seal, bonded	6	—	C	EAQ3
3565	10 N 3305A	Washer, sealing	1	—	C	EAQ3

ELECTRICAL INSTALLATIONS

INSTALLATION OF FUEL CONTENTS GAUGES, CODED "DR"

Ref. No.	Part No.	Description	No. off						Material Specification	Class of Store or L.M	Place No.
			1	2	3	4	5	6			
6A 5331	SMITHS INST. LTD. LJB.42	CONNECTOR , assembly						1	—	C	EAQ3
6A —	SMITHS INST. LTD. LJR.42	CONNECTOR , assembly (Mod. 1218)						1	—	—	EAQ3
6A 5333	SMITHS INST. LTD. LJB.52	CONNECTOR , assembly						1	—	C	EAQ3
6A —	SMITHS INST. LTD. LJR.52	CONNECTOR , assembly (Mod. 1218)						1	—	—	EAQ3
28E 1200546	AS.3180.5C	CLIP , "P"						11	—	C	
		Attachments for AS.3180.5C. Clip :—									
28D 9436920	A25.1C	Bolt, 2 BA						1	—	C	
28M 10328	AGS.2002/C/1	Nut, 2 BA						1	—	C	
	10-20 N 15049	FAIRLEAD , 2"0 × 0"5 × $\frac{3}{16}$ " thick (Mod. 893)						2	LFS.21, 23 or 26	LM	EAQ3
		Attachments for 10-20 N 15049, Fairlead (per pair) :—									
28D 9436920	A25.1C	Bolt, 2 BA						4	—	C	
28M 10328	AGS.2002/C/1	Nut, 2 BA						4	—	C	
5K 3394	AS.3360B/6/B	LEAD , bonding, flexible, at tank unit LB.64						1	—	C	
		Attachments for Ref. No. 5K/3394, Lead :—									
28D 1010658	A25.1B	Bolt, 4 BA						1	—	C	
28M 10287	AGS.2001/B/1	Nut, 4 BA						1	—	C	
5K 3394	AS.3360B/6/B	LEAD , bonding, flexible, at tank unit LB.65						1	—	C	
		Attachments for Ref. No. 5K/3394, Lead :—									
28D 1010658	A25.1B	Bolt, 4 BA						2	—	C	
28M 10287	AGS.2001/B/1	Nut, 4 BA						2	—	C	
6A 4794	SMITHS INST. LTD. LF.52	PLATE , terminal						1	—	P	EAQ3
		Attachments for Ref. No. 6A/4794, Plate :—									
28D 9133012	A25.3C	Bolt, 2 BA						6	—	C	
28M 10328	AGS.2002/C/1	Nut, 2 BA						6	—	C	
26DL 5456	DHS.502/C	Seal, bonded						6	—	C	EAQ3
3565	10 N 3305A	Washer, sealing						1	—	C	EAQ3
	10-20 N 461A	TUBE , cable support, assembly						1	—	LM	EAQ3
		Attachments for 10-20 N 461A, Tube :—									
3568	DHS.393/3E	Bolt, $\frac{1}{2}$ " BSF						2	—	C	EAQ3
26DV 7310	DHS.202/E	Nut, $\frac{1}{2}$ " BSF						2	—	C	EAQ3
28W 9419405	SP.15/E	Washer						2	—	C	
	10-20 N 463A	TUBE , cable support, assembly						1	—	LM	EAQ3
		Attachments for 10-20 N 463A, Tube :—									
3568	DHS.393/3E	Bolt, $\frac{1}{2}$ " BSF						2	—	C	EAQ3
3806	DHS.395/5E	Bolt, $\frac{1}{2}$ " BSF						1	—	C	EAQ3
26DV 7310	DHS.202/E	Nut, $\frac{1}{2}$ " BSF						2	—	C	EAQ3
28M 12928	A27/EP	Nut, $\frac{1}{2}$ " BSF						1	—	C	
28W 9419405	SP.15/E	Washer						2	—	C	

ELECTRICAL INSTALLATIONS

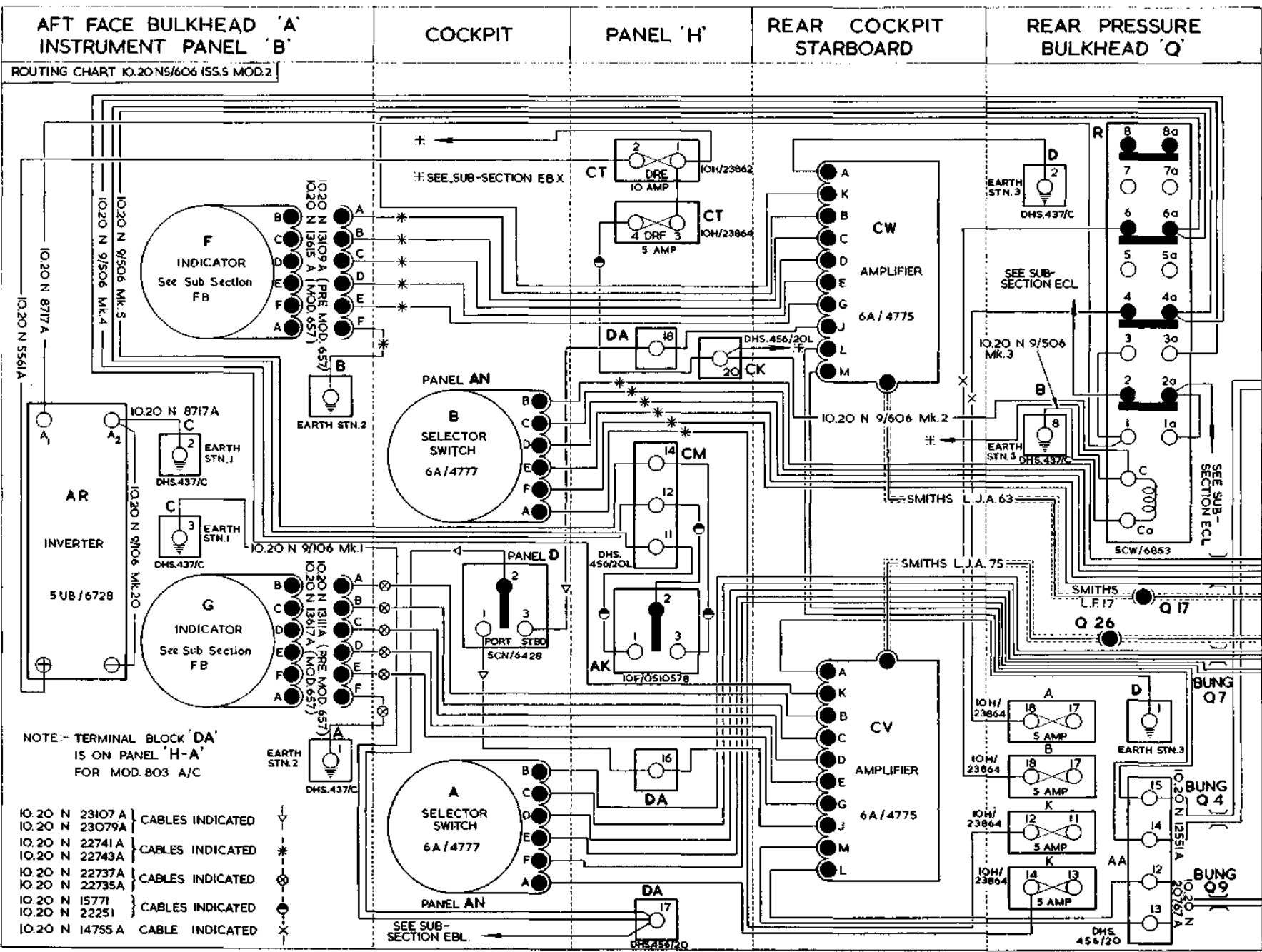
INSTALLATION OF FUEL CONTENTS GAUGES, CODED "DR"

Ref. No.	Part No.	Description	No. off	Material Specification	Class of Store or L.M	Plate No.
	10-20 N 2789A	TUBE , cable support, assembly	1	—	LM	EAQ3
28D/1011029	A25/1E	Attachments for 10-20 N 2789A, Tube :—				
28M/10330	AGS.2002/E/1	Bolt, 1/8" BSF	2	—	C	
26DL/5611	DHS.402/E	Nut, 1/8" BSF	2	—	C	EAQ3
		Seal, bonded	2	—	C	
6A/4784	SMITHS INST. LTD. LB.64	UNIT , tank fuel contents	1	—	P	EAQ3
6A/4785	SMITHS INST. LTD. LB.65	UNIT , tank fuel contents	1	—	P	EAQ3
32B/—	—	TAPE , identification, numbers and letters, use from Ref. Nos. 32B/1087 to 32B/1120 inclusive, as required	QR	—	C	

ELECTRICAL INSTALLATIONS

INSTALLATION OF FUEL CONTENTS GAUGES, CODED "DR"

Ref. No.	Part No.	Description						No. off	Material Specification	Class of Store or L.M.	Plate No.
		1	2	3	4	5	6				



ROUTING CHART IO.20N5/606 ISS.5 MOD.2

NOTE:- TERMINAL BLOCK 'DA' IS ON PANEL 'H-A' FOR MOD.803 A/C

- IO.20 N 23107 A } CABLES INDICATED
- IO.20 N 23079 A } CABLES INDICATED
- IO.20 N 22741 A } CABLES INDICATED
- IO.20 N 22743 A } CABLES INDICATED
- IO.20 N 22737 A } CABLES INDICATED
- IO.20 N 22735 A } CABLES INDICATED
- IO.20 N 15771 } CABLES INDICATED
- IO.20 N 22251 } CABLES INDICATED
- IO.20 N 14755 A } CABLE INDICATED

EAQ.1A [AL.43]

ELECTRICAL INSTALLATION

EAQ.1A

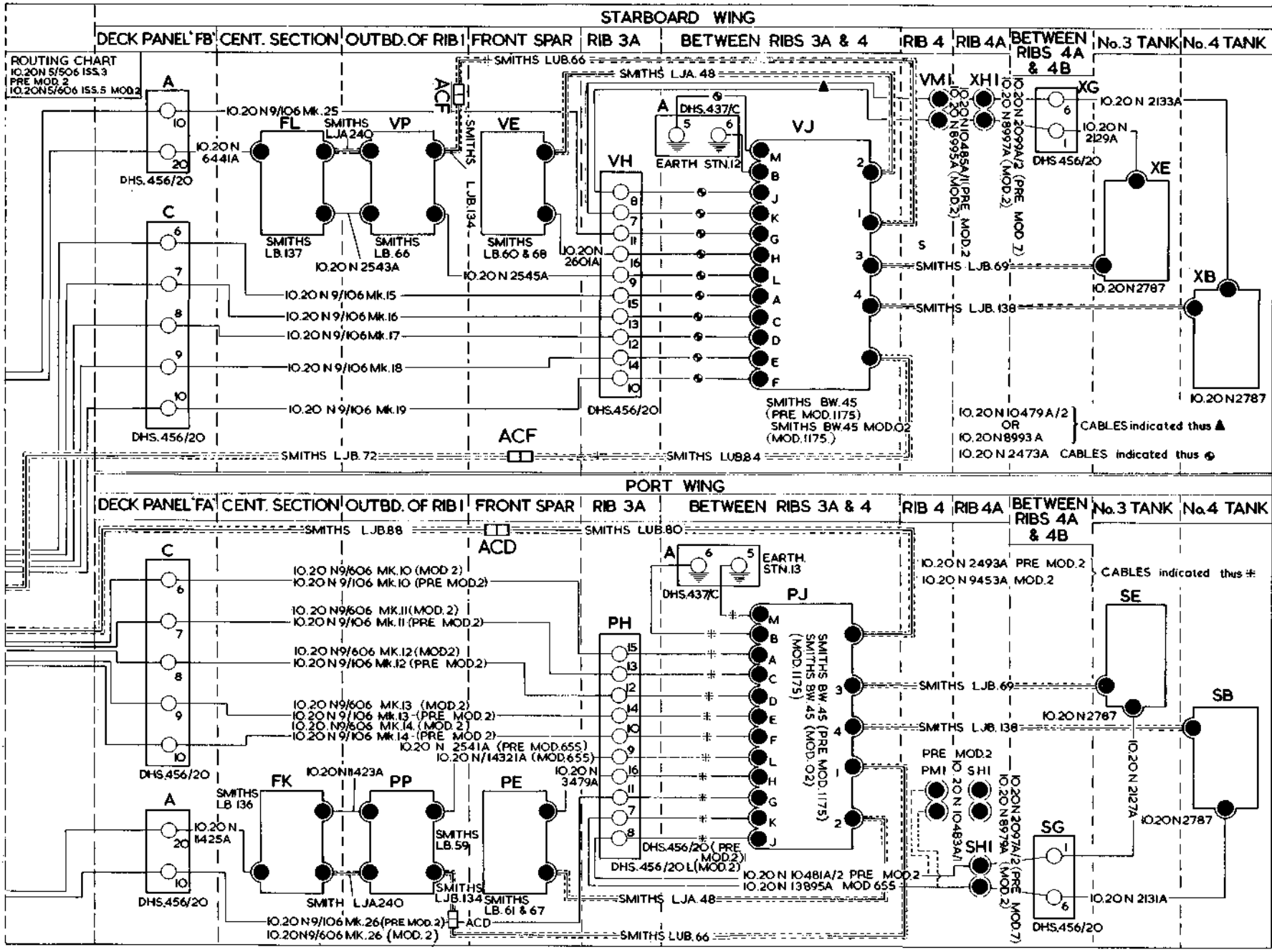
FUEL GAUGE CODED DR

RESTRICTED

EAQ.2

ELECTRICAL INSTALLATION FUEL GAUGE CODED DR

EAQ.2
[A.43]

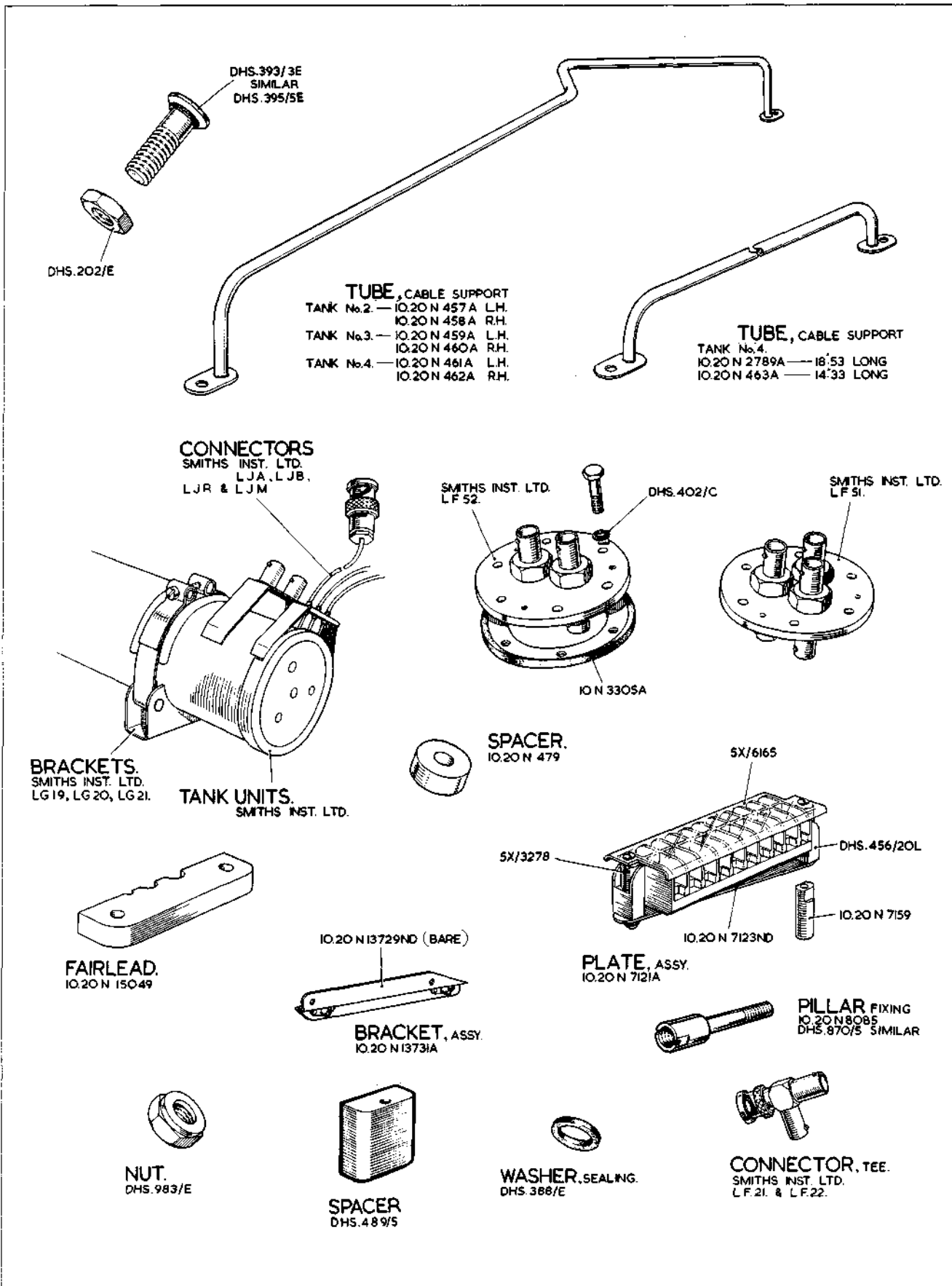


RESTRICTED

Sea Vixen Mk. 1

RESTRICTED

Plate EAQ.2



EAQ.3

ELECTRICAL INSTALLATION FUEL GAUGE CODED DR

EAQ.3

[A.L.43]



This file was downloaded
from the RTFM Library.

Link: www.scottbouch.com/rtfm

Please see site for usage terms,
and more aircraft documents.