

ELECTRICAL INSTALLATIONS

INSTALLATION OF UNDERCARRIAGE INDICATOR, CODED "DU"

Ref. No.	Part No.	Description	No. off	Material Specification	Class of Store or L.M.	Place No.
	—	INSTALLATION OF UNDERCARRIAGE INDICATOR, CODED "DU"	1	—	—	
	—	INSTALLATION AT NOSE UNDERCARRIAGE (Drg. Nos. 10-20 G 9, 10-20 N 6195, 10-20 N 9465. 10-20 UN 817A)	1	—	—	
	—	BLOCK , terminal, coded "BJ," group	1	—	—	
	DHS.456/20	BLOCK , terminal, 20-way, assembly (For breakdown see DHS. Data Sheet)	1	—	—	
5X/9149643	PLESSEY CZ.25111	COVER , terminal block	1	—	C	
12732	10-20 N 8085	PILLAR , fixing, 4 BA	2	—	C	
	10-20 N 6511A	CABLE , coded "BJ," assembly (For cables circuit coded "DU")	1	—	ECC	
	10-20 N 6261A	SWITCH , micro, complete with cables, coded "BB," assembly	1	—	—	
	10-20 N 6261A/CABLES	CABLES , coded "BB-BJ," assembly	QR	—	ECC	
5CW/9438275	—	SWITCH , micro	1	—	P	
14368	DHS.181/6	TUBING , protective, 6 m/m i/d.	QR	—	C	
		Attachments for 10-20 N 6261A, Switch:—				
28D/1011011	A25/8B	Bolt, 4 BA	1	—	C	
28D/1220052	A25/17B	Bolt, 4 BA	1	—	C	
28M/10327	AGS.2002/B/1	Nut, 4 BA	2	—	C	
28W/9419401	SP.10/B	Washer	2	—	C	
	10-20 N 24623A	SWITCH , micro, complete with cables, coded "BC," assembly (Mod. 1454)	1	—	ECC	
28E/1001808	AS.3180/6C	CLIP , "P," rubber covered	1	—	C	
		Attachments for 10-20 N 24623A, Switch:—				
4150	A25/10C/DHS.514/D	Bolt, 2 BA	2	—	C	
5542	A25/11C/DHS.514/D	Bolt, 2 BA	1	—	C	
28W/9419475	SP.13/C	Washer	3	—	C	
	10-20 N 6197A	SWITCH , micro, complete with cables, coded "BD," assembly	1	—	—	
	10-20 N 6197A/CABLES	CABLES , coded "BD-BJ," assembly	QR	—	ECC	
5CW/9438275	—	SWITCH , micro	1	—	P	
14368	DHS.181/6	TUBING , protective, 6 m/m i/d.	QR	—	C	
		Attachments for 10-20 N 6197A, Switch:—				
28D/1010142	A25/9B	Bolt, 4 BA	1	—	C	
28D/9435711	A25/10B	Bolt, 4 BA	1	—	C	
28E/9436819	AS.3180/3B	Clip, "P," rubber covered	1	—	C	
28W/9419465	SP.13/B	Washer	2	—	C	
	—	INSTALLATION AT FUSELAGE NOSE (Drg. Nos. 10 20 N 11421 and 10-20 N 9465)	1	—	—	
	—	BLOCK , terminal, coded "BA," group	1	—	—	
	DHS.456/20L	BLOCK , terminal, 20-way, assembly (For breakdown see DHS. Data Sheet)	1	—	—	
5X/9149643	PLESSEY CZ.25111	COVER , terminal block	1	—	C	
16671	DHS.870/1	PILLAR , fixing, 4 BA	2	—	C	
5195	DHS.849	SCREW (Fit to terminal 6)	1	—	C	

ELECTRICAL INSTALLATIONS

INSTALLATION OF UNDERCARRIAGE INDICATOR, CODED "DU"

Ref. No.	Part No.	Description	No. off	Material Specification	Class of Store or L.M.	Plate No.
	10-20 N 14911A	CABLE , bung A1, coded "BA," assembly (For cables circuit coded "DU")	1	—	ECC	
	10-20 N 7665A	RECTIFIERS , coded "EB" and "EC," complete with wiring, assembly	1	—	—	
14886	10-20 N 7665A/CABLES	CABLES , link	QR	—	ECC	
	10-20 N 7663A	COVER , assembly	1	—	C	
	10-20 N 7661ND	COVER , centre web, 22 SWG	1	L.72	LM	EAR2
	10-20 N 8427ND	COVER , fibre glass	1	—	—	EAR2
	B.T.H. Co. Ltd.					
5960-99-000-5101	G.J5/M(CX.157708)	RECTIFIER , germanium	2	—	C	
28W/9137412	AGS.2037/A	WASHER } To replace washers	2	—	C	
28W/1200328	AGS.2037/B	WASHER } supplied with rectifiers	2	—	C	
		Attachments for 10-20 N 7665A, Rectifiers :—				
28S/14005	A32/B14	Screw; 4 BA	2	—	C	
28W/9419465	SP.13/B	Washer	2	—	C	
	—	INSTALLATION AT FRAME 96", PORT ...	1	—	—	
		(Drg. Nos. 10-20 N 11421, 10-20 N 13463, 10-20 N 5909 and 10-20 CE 3851)				
	—	BLOCK , terminal, coded "AZ," group	1	—	—	
	DHS.456/20	BLOCK , terminal, 20-way, assembly	1	—	—	
		(For breakdown see DHS. Data Sheet)				
SX/9149643	PLESSEY CZ.25111	COVER , terminal block	1	—	C	
SX/9450403	PLESSEY Z.28426	PILLAR , fixing, 4 BA	2	—	C	
5195	DHS.849	SCREW (Fit to terminal 4, 5, 7 and 8)	4	—	C	
	10-20 N 14337A	CABLE , bung Q6, coded "FA," assembly (For cables circuit coded "DU")	1	—	ECC	
	10-20 N 14089A	CABLE , bung Q3, coded "FB," assembly (Mod. 249) (For cables circuit coded "DU")	1	—	ECC	
	10-20 N 9/120 Mk. 27	CABLE , coded "1.★B.DU-DU.E.B.1," assembly	1	—	ECC	
	10-20 N 9/120 Mk. 29	CABLE , coded "3.AZ.DU-DU.E.B.7," assembly	1	—	ECC	
	10-20 N 9/120 Mk. 32	CABLE , coded "4.AZ.DU-DU.E.B.4," assembly	1	—	ECC	
	10-20 N 9/520 Mk. 30	CABLE , coded "4.AZ.DU-DU.Q.X.5," assembly	1	—	ECC	
	10-20 N 9/120 Mk. 33	CABLE , coded "5.AZ.DU-DU.E.B.5," assembly	1	—	ECC	
	10-20 N 9/520 Mk. 31	CABLE , coded "5.AZ.DU-DU.Q.W.3," assembly	1	—	ECC	
	10-20 N 9/120 Mk. 34	CABLE , coded "6.AZ.DU-DU.E.B.6," assembly	1	—	ECC	
	10-20 N 9/520 Mk. 35	CABLE , coded "7.AZ.DU-DU.Q.W.1," assembly	1	—	ECC	
	10-20 N 9/520 Mk. 36	CABLE , coded "8.AZ.DU-DU.Q.X.1," assembly	1	—	ECC	
	—	INDICATOR , undercarriage, coded "B," group	1	—	—	
28D/16016	AS.4597/3B	BOLT , 4 BA	4	—	C	
28D/1010658	A25/1B	BOLT , 4 BA	1	—	C	
28D/9436920	A25/1C	BOLT , 2 BA	2	—	C	
10352	10-20 CE 4079	BRACKET , fibre glass	1	—	C	EAR2
5CX/5164	—	INDICATOR , undercarriage position, Type D.1	1	—	P	
	10-20 CE 4307	LABEL , 18 SWG	1	L.71	LM	

INSTALLATION OF UNDERCARRIAGE INDICATOR, CODED "DU"

Ref. No.	Part No.	Description	No. off	Material Specification	Class of Store or L.M	Plate No.
26DV/7529	—	TERMINAL , earth, station 1, coded "B," group	1	—	—	
26DV/4969	DHS.438/C	TAG , corrosion	1	—	C	
	DHS.437/C	TERMINAL , earth, assembly	1	—	C	
		(For breakdown see DHS. Data Sheet)				
		Attachments for DHS.437/C, Terminal :—				
28D/9137409	AS.1246/2C	Bolt , 2 BA	2	—	C	
28M/10288	AGS.2001/C/1	Nut , 2 BA	2	—	C	
28W/9419404	SP.16/C	Washer	2	—	C	
	—	INSTALLATION AT LOWER PANEL, CODED	1	—	—	
		"H" (Drg. Nos. 10-20 N 15833A				
		Pre Mod. 803 and 10-20 N 15709A				
		Mod. 803)				
	—	BLOCK , fuse, coded "CS," group	1	—	—	
	—	BLOCK , fuse, 12-way	—	—	—	
		(See sub-section EBV)				
10H/23862	—	FUSE , 10 amp.	1	—	C	
	—	INSTALLATION AT UPPER PANEL, CODED	1	—	—	
		"H" (Drg. Nos. 10-20 N 11421,				
		10-20 N 15777, 10-20 N 22227,				
		10-20 N 15771 and 10-20 N 22251)				
	—	BLOCK , terminal, coded "CR," group	1	—	—	
	DHS.456/20L	BLOCK , terminal, 20-way, assembly	1	—	—	
		(For breakdown see DHS. Data Sheet)				
5X/9149643	PLESSEY CZ.25111	COVER , terminal block	1	—	C	
12732	10-20 N 8085	PILLAR , fixing, 4 BA	2	—	C	
	10-20 N 12553A	CABLE , bung Q8, coded "FA," assembly	1	—	ECC	
		(Pre Mod. 803)				
		(For cables circuit coded "DU")				
	10-20 N 14487A	CABLE , bung Q8, coded "FA," assembly (Mod. 803)	1	—	ECC	
		(For cables circuit coded "DU")				
	10-20 N 15771/CABLES	CABLE , link (Pre Mod. 803)	1	—	ECC	
		(For cables circuit coded "DU")				
	10-20 N 22251/CABLES	CABLE , link (Mod. 803)	1	—	ECC	
		(For cables circuit coded "DU")				

ELECTRICAL INSTALLATIONS

INSTALLATION OF UNDERCARRIAGE INDICATOR, CODED "DU"

Ref. No.	Part No.	Description	No. off	Material Specification	Class of Store or L.M.	Plate No.
		INSTALLATION AT PORT WING DECK	1	—	—	
		PANEL, CODED "FA" (Drg. Nos. 10-20 N 13301A, 10-20 N 11143 and 10-20 N 11655)	1	—	—	
	DHS.456/20	BLOCK , terminal, 20-way, coded "B," assembly (For breakdown see DHS. Data Sheet)	1	—	—	
		Attachments for DHS.456/20, Block :—				
28D/12690	AS.1246/5B	Bolt, 4 BA	2	—	C	
28V/9419474	SP.15/B	Washer	2	—	C	
		BLOCK , terminal, coded "D," group	1	—	—	
	DHS.456/20	BLOCK , terminal, 20-way, assembly (For breakdown see DHS. Data Sheet)	1	—	—	
28D/12182	AS.1246/6B	BOLT , 4 BA (Mod. 963)	2	—	C	
5X/9149643	PLESSEY CZ.25111	COVER , terminal block (Pre Mod. 963)	1	—	C	
5X/9450403	PLESSEY Z.28426	PILLAR , fixing, 4 BA (Pre Mod. 963)	2	—	C	
28V/9419474	SP.15/B	WASHER	2	—	C	
	10-20 N 9/120 Mk. 10	CABLE , coded "3.D.FA.DU-DU.PZ.3," assembly	1	—	ECC	
	10-20 N 9/120 Mk. 8	CABLE , coded "4.D.FA.DU-DU.PZ.10," assembly	1	—	ECC	
	10-20 N 9/120 Mk. 11	CABLE , coded "9.B.FA.DU-DU.FB.F.12," assembly	1	—	ECC	
	10-20 N 9/120 Mk. 9	CABLE , coded "9.B.FA.DU-DU.PZ.4," assembly	1	—	ECC	
		INSTALLATION AT PORT WHEEL WELL ... (Drg. Nos. 10-20 N 2399, 10-20 N 2641 and 10-20 N 11655)	1	—	—	
		BLOCK , terminal, coded "PZ," group	1	—	—	
	DHS.456/20L	BLOCK , terminal, 20-way, assembly (For breakdown see DHS. Data Sheet)	1	—	—	
5X/9149643	PLESSEY CZ.25111	COVER , terminal block	1	—	C	
28M/10287	AGS.2001/B/1	NUT , 4 BA	2	—	C	
5X/9450403	PLESSEY Z.28426	PILLAR , fixing, 4 BA	2	—	C	
	10-20 N 9851A	PLATE , adapter, terminal block, assembly	1	—	—	EAR2
	10-20 N 10023ND	CHANNEL , 18 SWG	1	L.72	LM	EAR2
	10-20 N 7187ND	PLATE , bare, 18 SWG	1	L.72	LM	EAR2
28S/14005	A32/B14	SCREW , 4 BA	2	—	C	
	10-20 N 24625A	CABLE , assembly (For cables circuit coded "DU")	1	—	ECC	
	10-20 N 24629A	CABLE , assembly (Mod. 1454) (For cables circuit coded "DU")	1	—	ECC	
		INSTALLATION AT UNDERCARRIAGE LEG, PORT (Drg. Nos. 10-20 N 2461 and 10-20 N 11655)	1	—	—	
		SWITCH , micro, coded "RA," group	1	—	—	
28D/9140647	A25/14C	BOLT , 2 BA	1	—	C	
28D/9453970	A25/15C	BOLT , 2 BA	1	—	C	
28E/1201809	AS.3180/6B	CLIP , "P," rubber covered	1	—	C	
28E/1200549	AS.3180/8C	CLIP , "P," rubber covered	1	—	C	
28M/10287	AGS.2001/B/1	NUT , 4 BA	1	—	C	
28M/10288	AGS.2001/C/1	NUT , 2 BA	2	—	C	
28S/14005	A32/B14	SCREW , 4 BA	1	—	C	
5CW/9108	—	SWITCH , micro (Mod. 1454)	1	—	P	EAR2

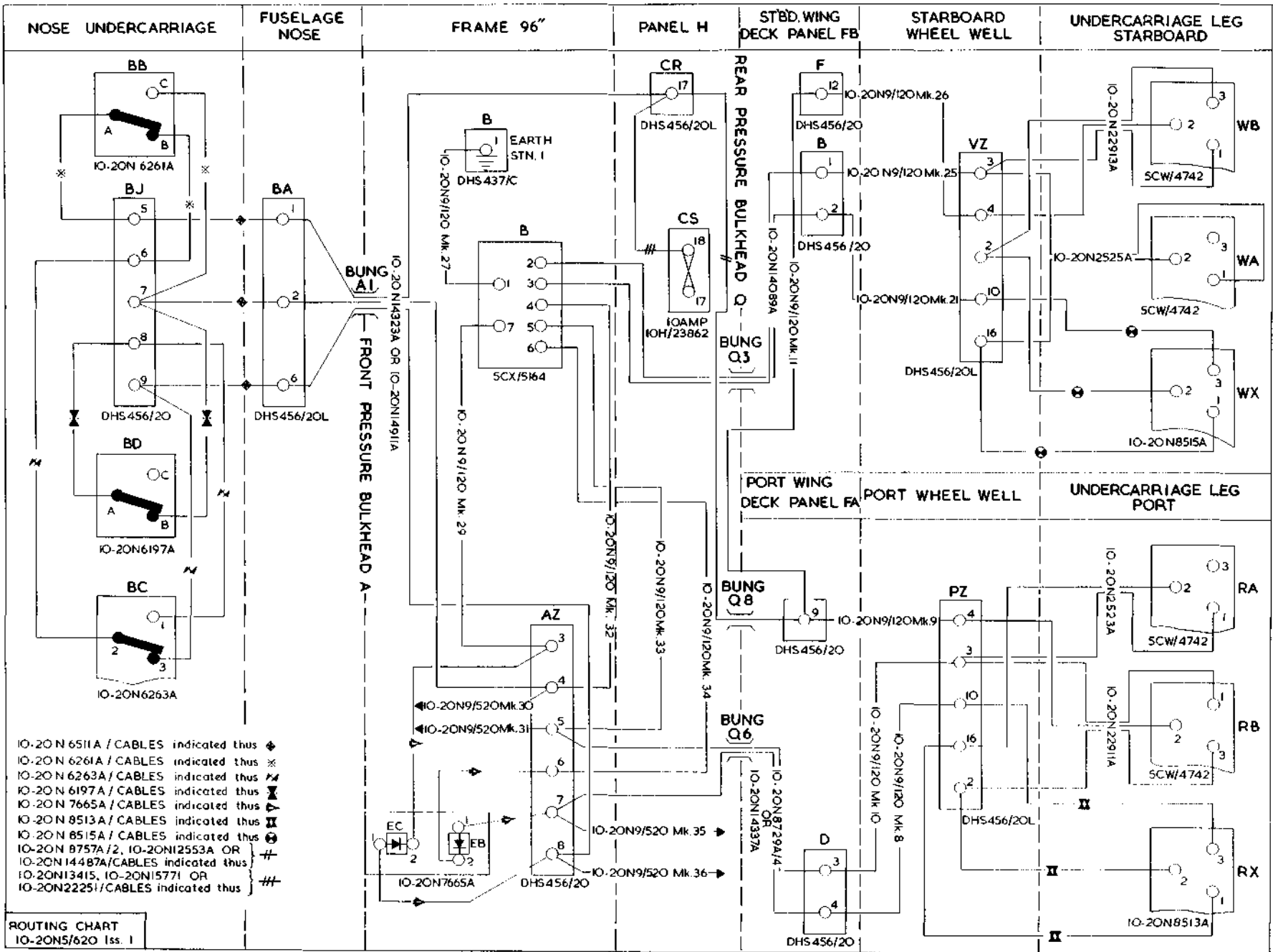
INSTALLATION OF UNDERCARRIAGE INDICATOR, CODED "DU"

Ref. No.	Part No.	Description	No. off	Material Specification	Class of Store or L.M.	Plate No.
28D/9435710	—	SWITCH , micro, coded "RB," group	1	—	—	
28M/10328	A25/11C	BOLT , 2 BA	2	—	C	
5K/9107068	AGS.2002/C/1	NUT , 2 BA	2	—	C	
5C/9107068	DP x 3/8"	SLEEVE , binding, Type A, 7.5 m/m i/d. x 3/8" long	2	—	C	
5CW/9108	—	SWITCH , micro (Mod. 1454)	1	—	P	
26DL/5476	DHS.373/3	TUBING , kerosene resistant, 3/16" i/d. ...	QR	—	C	
	10-20 N 24619A	SWITCH , micro, complete with cables, coded "RX," assembly (Mod. 1454)	1	—	ECC	
		Attachments for 10-20 N 24619A, Switch :—				
5616	A25/12C/DHS.514/D	Bolt , 2 BA	3	—	C	
28E/14054	AS.3180/7C	Clip , "P," rubber covered	1	—	C	
28W/9419402	SP.13/C	Washer	3	—	C	
	—	INSTALLATION AT STARBOARD WING DECK PANEL, CODED "FB" (Drg. Nos. 10-20 N 14863A and 10-20 N 11701)	1	—	—	
	DHS.456/20	BLOCK , terminal, 20-way, coded "B," assembly (For breakdown see DHS. Data Sheet)	1	—	—	
		Attachments for DHS.456/20, Block :—				
28D/12690	AS.1246/SB	Bolt , 4 BA	2	—	C	
28W/9419474	SP.15/B	Washer	2	—	C	
	DHS.456/20	BLOCK , terminal, 20-way, coded "F," assembly (For breakdown see DHS. Data Sheet)	1	—	—	
		Attachments for DHS.456/20, Block :—				
14987	10-20 N 8231	Pillar , fixing, 4 BA (Mod. 934)	2	—	—	
28W/9419474	SP.15/B	Washer	2	—	C	
	10-20 N 9/120 Mk. 25	CABLE , coded "1.B.FB.DU—DU.VZ.3," assembly	1	—	ECC	
	10-20 N 9/120 Mk. 21	CABLE , coded "2.B.FB.DU—DU.VZ.10," assembly	1	—	ECC	
	10-20 N 9/120 Mk. 26	CABLE , coded "12.F.FB.DU—DU.VZ.4," assembly	1	—	ECC	
	—	INSTALLATION AT STARBOARD WHEEL WELL (Drg. Nos. 10-20 N 2399, 10-20 N 2641 and 10-20 N 11701)	1	—	—	
	—	BLOCK , terminal, coded "VZ," group	1	—	—	
	DHS.456/20L	BLOCK , terminal, 20-way, assembly (For breakdown see DHS. Data Sheet)	1	—	—	
5X/9149643	PLESSEY CZ.25111	COVER , terminal block	1	—	C	
28M/10287	AGS.2001/B/1	NUT , 4 BA	2	—	C	
5X/9450403	PLESSEY Z.28426	PILLAR , fixing, 4 BA	2	—	C	
	10-20 N 9853A	PLATE , adapter, terminal block, assembly ...	1	—	—	EAR2
	10-20 N 10023ND	CHANNEL , 18 SWG	1	L.72	LM	EAR2
	10-20 N 7189ND	PLATE , bare, 18 SWG	1	L.72	LM	EAR2
28S/14005	A32/B14	SCREW , 4 BA	2	—	C	
	10-20 N 24627A	CABLE , assembly (For cables circuit coded "DU")	1	—	ECC	
	10-20 N 24631A	CABLE , assembly (Mod. 1454) (For cables circuit coded "DU")	1	—	ECC	

ELECTRICAL INSTALLATIONS

INSTALLATION OF UNDERCARRIAGE INDICATOR, CODED "DU"

Ref. No.	Part No.	Description	No. off	Material Specification	Class of Score or L.M	Plate No.
	—	INSTALLATION AT UNDERCARRIAGE LEG, STARBOARD (Drgs. No. 10-20 N 2461 and 10-20 N 11701)	1	—	—	
		SWITCH , micro, coded "WA," group ...	1	—	—	
28D/9419397	A25/12C	BOLT , 2 BA ...	1	—	C	
28D/9133014	A25/13C	BOLT , 2 BA ...	1	—	C	
28E/1200549	AS.3180/8C	CLIP , "P," rubber covered ...	1	—	C	
28M/10288	AGS.2001/C/1	NUT , 2 BA ...	2	—	C	
5CW/9108	—	SWITCH , micro (Mod. 1454) ...	1	—	P	
		SWITCH , micro, coded "WB," group ...	1	—	—	
28D/9435710	A25/11C	BOLT , 2 BA ...	2	—	C	
28M/10328	AGS.2002/C/1	NUT , 2 BA ...	2	—	C	
5K/9107068	DP x $\frac{3}{4}$	SLEEVE , binding, Type A, 7.5 m/m i/d. x $\frac{3}{8}$ " long	2	—	C	
5CW/9108	—	SWITCH , micro (Mod. 1454) ...	1	—	P	
26DL/5476	DHS.373/3 10-20 N 24621A	TUBING , kerosene resistant, $\frac{3}{8}$ " i/d.	QR	—	C	
		SWITCH , micro, complete with cables, coded "WX," assembly (Mod 1454)	1	—	ECC	
		Attachments for 10-20 N 24621A, Switch :—				
5616	A25/12C/DHS.514/D	Bolt , 2 BA ...	3	—	C	
28E/14054	AS.3180/7C	Clip , "P," rubber covered ...	1	—	C	
28W/9419402	SP.13/C	Washer ...	3	—	C	
32B/—	—	TAPE , identification, numbers and letters, use from Ref. Nos. 32B/1087 to 32B/1120 inclusive, as required	QR	—	C	

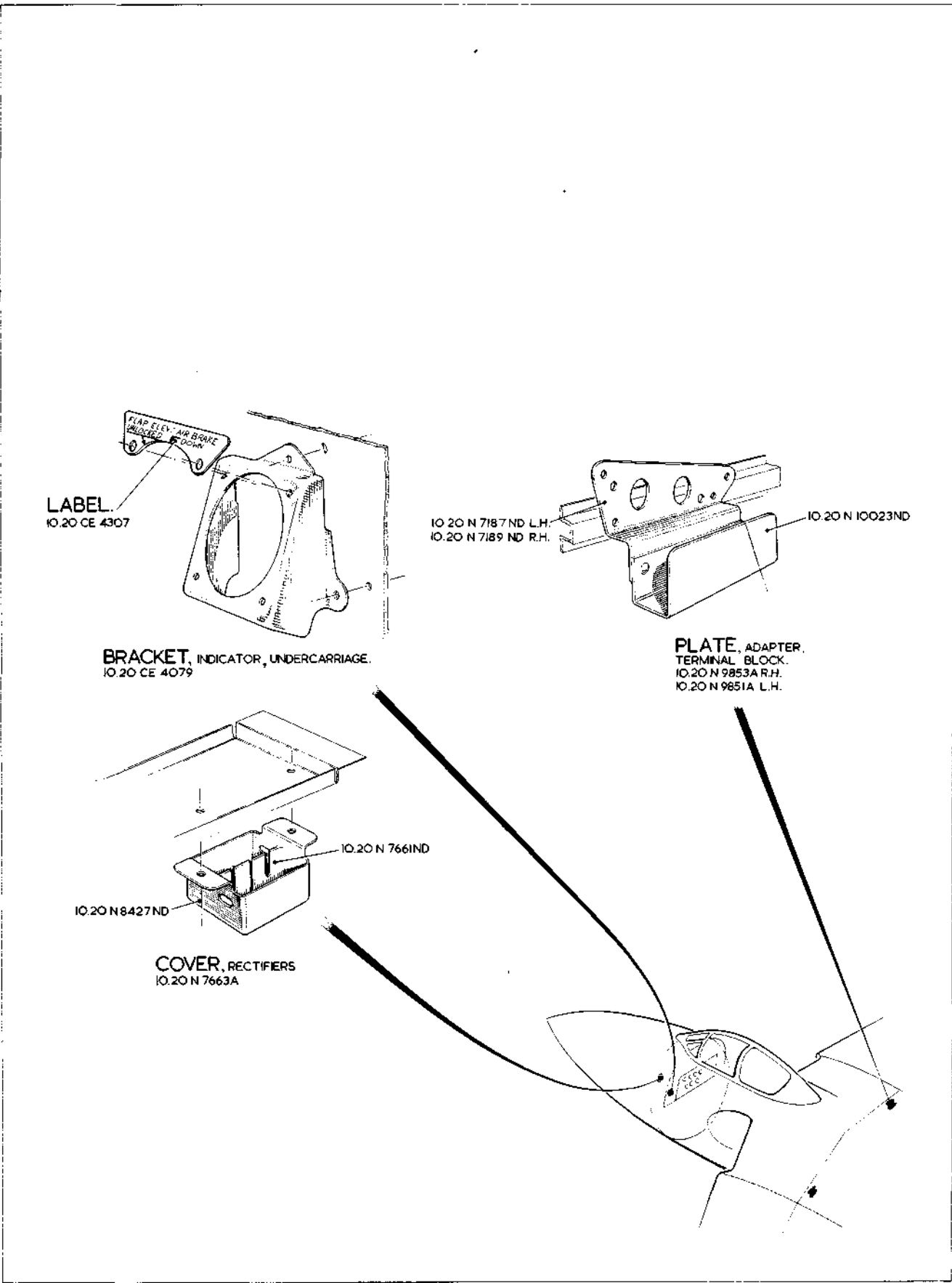


- IO-20N 6511A / CABLES indicated thus ◆
- IO-20N 6261A / CABLES indicated thus *
- IO-20N 6263A / CABLES indicated thus ✕
- IO-20N 6197A / CABLES indicated thus ✕
- IO-20N 7665A / CABLES indicated thus ✕
- IO-20N 8513A / CABLES indicated thus ✕
- IO-20N 8515A / CABLES indicated thus ✕
- IO-20N 8757A/2, IO-20N 12553A OR IO-20N 14487A / CABLES indicated thus ✕
- IO-20N 13415, IO-20N 15771 OR IO-20N 22251 / CABLES indicated thus ✕

ROUTING CHART
IO-20N5/620 Iss. 1

EAR. I
ELECTRICAL INSTALLATION
UNDERCARRIAGE INDICATOR
CODED DU

RESTRICTED



EAR.2

**ELECTRICAL INSTALLATION
UNDERCARRIAGE INDICATOR
CODED DU**

EAR.2

[A.L. 66]

This file was downloaded
from the RTFM Library.

Link: www.scottbouch.com/rtfm

Please see site for usage terms,
and more aircraft documents.

