

INSTALLATION OF JET PIPE TEMPERATURE INDICATOR, CODED "EJ"

Ref. No.	Part No.	Description	No. off	Material Specification	Class of Store or L.M.	Plate No.
	—	INSTALLATION OF JET PIPE TEMPERATURE INDICATOR, CODED "EJ"	1	—	—	
	—	INSTALLATION AT PILOT'S INSTRUMENT PANEL, CODED "B" (Drg. Nos. 10-20 N 11421 and 10-20 N 13403)	1	—	—	
	10-20 N 5611A	CABLE , coded "Q12-B," assembly	1	—	ECC	EAU1
	—	THERMOMETER , exhaust gas, coded "D" and "E" (See sub-section FB)	—	—	—	
	—	INSTALLATION AT REAR PRESSURE BULK-HEAD, CODED "Q" (Drg. Nos. 10-20 N 10635, 10-20 N 11143 and 10-20 N 5125)	1	—	—	
	10-20 N 5609A	CABLE , coded "Q12-FA.FB," assembly	1	—	ECC	EAU1
5K/—	SP.95/D16	GROMMET , "2," rubber, cable entry at rib "O" (Alternative DHS.1790/D16)	1	—	C	EAU1
5X/6867	PLESSEY CZ.69865	PLUG , bulkhead, 4-pole, coded "12"	1	—	C	
	—	INSTALLATION AT PORT WING DECK PANEL, CODED "FA" (Drg. Nos. 10-20 N 13301A and 10-20 N 5125)	1	—	—	
	—	BLOCK , terminal, coded "AG," group	1	—	—	
	DHS.456/5	BLOCK , terminal, 5-way, assembly (For breakdown see DHS. Data Sheet)	1	—	—	EAU1
5X/9149641	PLESSEY CZ.26805	COVER , terminal block (5940-99-914-9641)	1	—	C	EAU1
5X/1004082	PLESSEY Z.50210	LINK , commoning, 2-way (Fit between terminals 2 and 3, and 4 and 5) (5940-99-100-4082)	2	—	C	EAU1
	7657	PILLAR , fixing, 4 BA	2	—	C	EAU1
26DV/12296	DHS.489/5	SPACER	2	—	C	EAU1
28W/9419465	SP.13/B	WASHER	2	—	C	
	10-20 N 9309A	CABLE , coded "FA-LV," assembly	1	—	ECC	EAU1
6A/3580	—	RESISTOR , adjustable spool series, coded "AH"	1	—	P	EAU1
	—	INSTALLATION AT STARBOARD WING DECK PANEL, CODED "FB" (Drg. Nos. 10-20 N 8803A/3 and 10-20 N 5125)	1	—	—	
	—	BLOCK , terminal, coded "AE," group	1	—	—	
	DHS.456/5	BLOCK , terminal, 5-way, assembly (For breakdown see DHS. Data Sheet)	1	—	—	EAU1
5X/9149641	PLESSEY CZ.26805	COVER , terminal block (5940-99-914-9641)...	1	—	C	EAU1
5X/1004082	PLESSEY Z.50210	LINK , commoning, 2-way (Fit between terminals 2 and 3, and 4 and 5) (5940-99-100-4082)	2	—	C	EAU1
5X/9450403	PLESSEY Z.28426	PILLAR , fixing, 4 BA (5340-99-945-0403) ...	2	—	C	EAU1
28W/9419465	SP.13/B	WASHER	2	—	C	

ELECTRICAL INSTALLATIONS

INSTALLATION OF JET PIPE TEMPERATURE INDICATOR, CODED "EJ"

Ref. No.	Part No.	Description	No. off						Material Specification	Class of Store or L.M.	Plate No.
			1	2	3	4	5	6			
6A/3580	10-20 N 9311A	CABLE , coded "FB-LW," assembly						1	—	ECC	EAU1
	—	RESISTOR , adjustable spool series, coded "AF"						1	—	P	EAU1
	—	INSTALLATION AT PORT JET PIPE SHROUD, CODED "FH" (Drg. No. 10-20 N 4763)						1	—	—	
12735	10-20 N 9745A	BLOCK , terminal, chromel-alumel, coded "LV," assembly						1	—	C	EAU1
	6-4 N 4435	BLOCK , alumel, coded "A"						1	—	—	EAU1
	10-20 N 9743	BLOCK , chromel, coded "C"						1	—	—	EAU1
		Attachments for 6-4 N 4435 or 10-20 N 9743, Block :—									
	6-4 N 4441	Bolt, special, 2 BA						1	—		EAU1
28M/1010997	A24/CT	Nut, lock, 2 BA						1	—	C	
28W/9416643	SP.47/C	Washer, spring						1	—	C	
	10-20 N 9981A	BLOCK , housing, assembly						1	—		EAU1
	6-4 N 4439	COVER , bottom						1	—		EAU1
		Attachments for 6-4 N 4439, Cover :—									
28S/1214115	AS.2993/4B	Screw, 4 BA						2	—	C	
	6-4 N 4437	COVER , top						1	—		EAU1
		Attachments for 6-4 N 4437, Cover :—									
9721	A35/B8/DHS.514/D	Screw, 4 BA						2	—	C	EAU1
		Attachments for 10-20 N 9745A, Block :—									
28S/1006947	A33/B40	Screw, 4 BA (Lock to DHS.514/D)						2	—	C	
16622	10-20 N 9305A	CABLE , coded "LV-JET PIPE," assembly						1	—	C	EAU1
28E/9435723	AS.3181/8B	CLIP , "P," securing jet pipe temperature indicator cables						1	—	C	
		Attachments for AS.3181/8B, Clip :—									
28M/10287	AGS.2001/B/1	Nut, 4 BA						1	—	C	
28S/1008327	A32/B14	Screw, 4 BA						1	—	C	
28W/9419465	SP.13/B	Washer						1	—	C	
28E/9435724	AS.3181/14B	CLIP , "P," securing jet pipe temperature indicator cables						1	—	C	
		Attachments for AS.3181/14B, Clip :—									
28M/10287	AGS.2001/B/1	Nut, 4 BA						1	—	C	
28S/9992522	A32/B16	Screw, 4 BA						1	—	C	
28W/9419465	SP.13/B	Washer						1	—	C	
28E/1006378	AS.3181/8C	CLIP , "P," securing jet pipe temperature indicator cables (Mod. 752)						1	—	C	
		Attachments for AS.3181/8C, Clip :—									
28M/10288	AGS.2001/C/1	Nut, 2 BA						1	—	C	
28S/9512511	A32/C48	Screw, 2 BA						1	—	C	
	AS.2810/5/100	Tube, distance, $\frac{3}{16}$ " o/d x 20 SWG x 1'-0" long						1	L.62	LM	
28W/9419402	SP.13/C	Washer						1	—	C	
	10-20 N 9321	FAIRLEAD , half, for jet pipe temperature indicator cables, $2\frac{1}{2}$ " x $1\frac{1}{4}$ " x $\frac{3}{16}$ "						2	LFS.21, 23 or 26	LM	EAU1
		Attachments for 10-20 N 9321, Fairlead :—									
28M/10287	AGS.2001/B/1	Nut, 4 BA						3	—	C	
28S/9995376	A32/B20	Screw, 4 BA						3	—	C	
28W/9419465	SP.13/B	Washer						3	—	C	

ELECTRICAL INSTALLATIONS

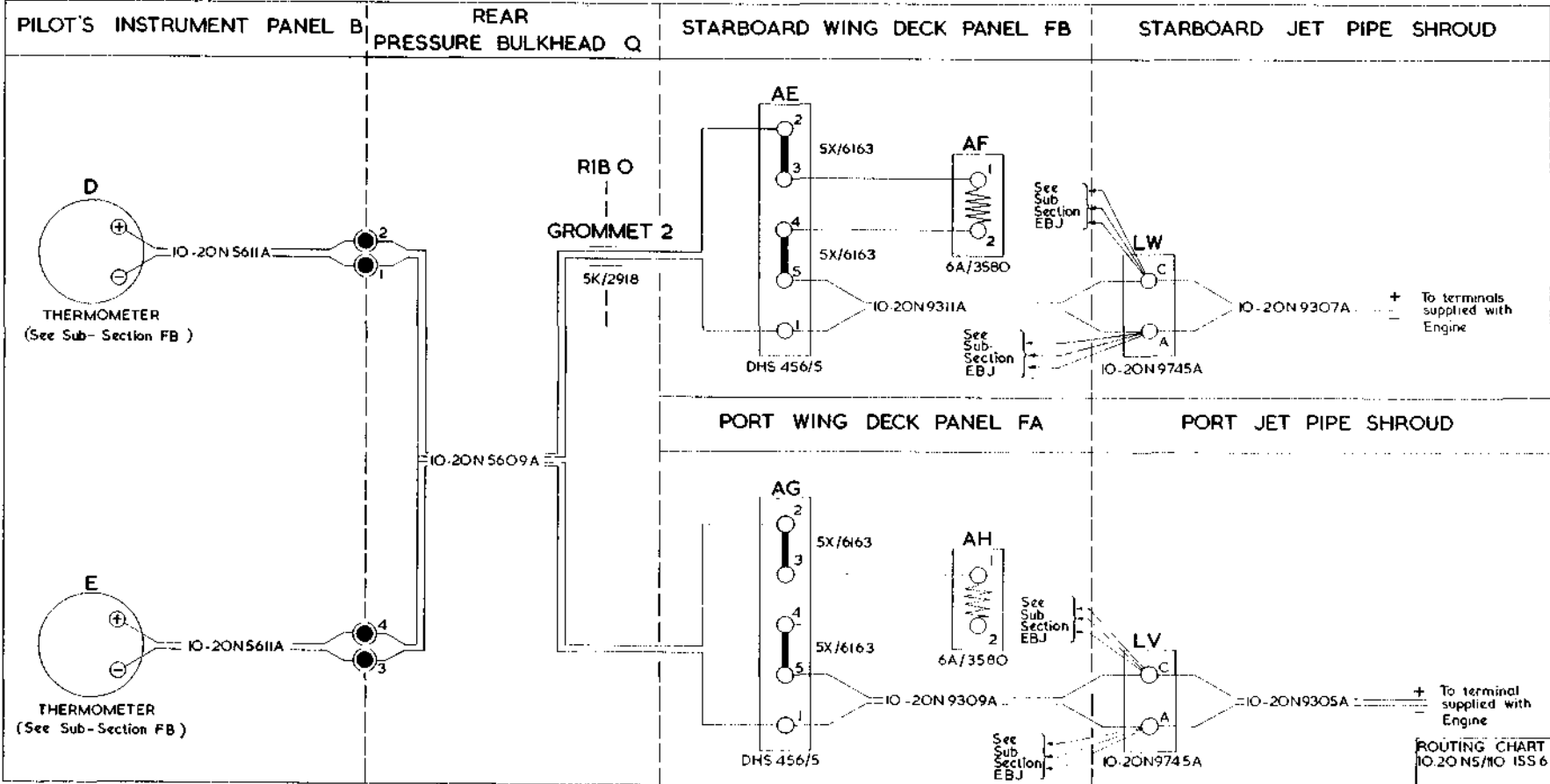
INSTALLATION OF JET PIPE TEMPERATURE INDICATOR, CODED "EJ"

Ref. No.	Part No.	Description	No. off	Material Specification	Class of Store or L.M.	Place No.
	—	INSTALLATION AT STARBOARD JET PIPE SHROUD, CODED "FJ" (Drg. No. 10-20 N 4763)	1	—	—	
12735	10-20 N 9745A	BLOCK , terminal, chromel-alumel, coded "LW," assembly	1	—	C	EAU1
	6-4 N 4435	BLOCK , alumel, coded "A"	1	—	—	EAU1
	10-20 N 9743	BLOCK , chromel, coded "C" Attachments for 6-4 N 4435 or 10-20 N 9743. Block :—	1	—	—	EAU1
	6-4 N 4441	Bolt, special, 2 BA	1	—	—	EAU1
28M/12983	A24/CT	Nut, lock, 2 BA	1	—	C	
28W/9416643	SP.47/C	Washer, spring	1	—	C	
	10-20 N 9981A	BLOCK , housing, assembly	1	—	—	EAU1
	6-4 N 4439	COVER , bottom Attachments for 6-4 N 4439, Cover :—	1	—	—	EAU1
28S/11907	AS.2993/4B	Screw, 4 BA	2	—	C	
	6-4 N 4437	COVER , top Attachments for 6-4 N 4437, Cover :—	1	—	—	EAU1
9721	A35/B8/DHS.514/D	Screw, 4 BA	2	—	C	EAU1
28S/1006947	A33/B40	Attachments for 10-20 N 9745A, Block :— Screw, 4 BA (Lock to DHS.514/D)	2	—	C	
16019	10-20 N 9307A	CABLE , coded "LW—JET PIPE," assembly ...	1	—	C	EAU1
28E/9435723	AS.3181/8B	CLIP , "P," securing jet pipe temperature indicator cables Attachments for AS.3181/8B, Clip :—	3	—	C	
	29M/10287	Nut, 4 BA	1	—	C	
	28S/14005	Screw, 4 BA	1	—	C	
	28S/2875	Screw, 4 BA (For clip attached to bracket on aft face of frame 4)	1	—	C	
	AS.2811/5/030	Tube, distance, $\frac{3}{8}$ " o/d \times 17 SWG \times 0"-30 long (For clip attached to bracket on aft face of frame 4)	1	L.62	LM	
28W/9419465	SP.13/B	Washer	1	—	C	
28E/14309	AS.3181/12B	CLIP , "P," securing jet pipe temperature indicator cables Attachments for AS.3181/12B, Clip :—	1	—	C	
	28M/10287	Nut, 4 BA	1	—	C	
	28S/9992522	Screw, 4 BA	1	—	C	
28W/9419465	SP.13/B	Washer	1	—	C	
	10-20 N 9321	FAIRLEAD , half, for jet pipe temperature indicator cables, $2\frac{1}{8}$ " \times $1\frac{1}{8}$ " \times $\frac{3}{16}$ " Attachments for 10-20 N 9321, Fairlead :—	2	LFS.21, 23 or 26	LM	EAU1
	28M/10287	Nut, 4 BA	3	—	C	
	28S/9995376	Screw, 4 BA	3	—	C	
28W/9419465	SP.13/B	Washer	3	—	C	

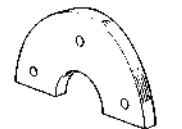
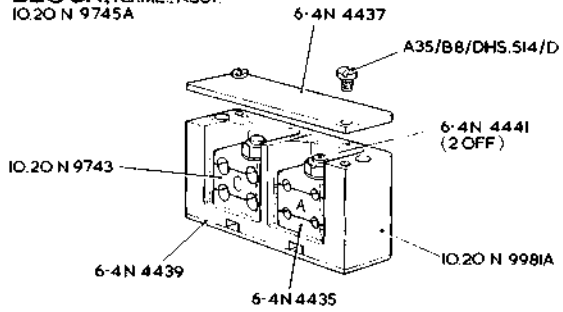
ELECTRICAL INSTALLATIONS

INSTALLATION OF JET PIPE TEMPERATURE INDICATOR, CODED "EJ"

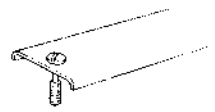
Ref. No.	Part No.	Description	No. off	Material Specification	Class of Store or L.M	Plate No.
61 5F/9434858 5F/2279 5F/2280 32B/—	—	STRAP , flexible, cable fastening, $\frac{3}{16}$ " wide	QR	PVC	C	EAU1
	—	STUD , cable fastening straps	QR	Nylon	C	EAU1
	—	TAPE , identification, numbers and letters, use from Ref. Nos. 32B/1087 to 32B/1120 inclusive, as required	QR	—	C	



BLOCK, TERML. ASSY.
IO-20 N 9745A



FAIRLEAD, HALF
IO-20 N 9321

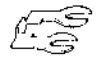


COVER, TERML. BLOCK.
PLESSEY C2.26805



SPACER
DHS 489/5

LINK.
PLESSEY Z.50210



PILLAR, FIXING
DHS.870/5
PLESSEY Z.28426 SIMILAR

STUD.
5F/2280



STRAP.
5F/2279

ROUTING CHART
IO-20 N5/10 ISS 6

EAU 1

ELECTRICAL INSTALLATION JET PIPE TEMPERATURE INDICATOR CODED EAU 1

RESTRICTED

EAU 1
(ALL 43)

4-4-44

This file was downloaded
from the RTFM Library.

Link: www.scottbouch.com/rtfm

Please see site for usage terms,
and more aircraft documents.

