

INSTALLATION OF COCKPIT LIGHTING, CODED "LC"

Ref. No.	Part No.	Description	No. off	Material Specification	Class of Store or L.M.	Plate No.
	—	INSTALLATION OF COCKPIT LIGHTING, CODED "LC"	1	—	—	
	—	INSTALLATION AT FRONT PRESSURE BULK HEAD, CODED "A" (Drg. No. 10-20 N 9465)	1	—	—	
	—	BLOCK , terminal, coded "DF," group ...	1	—	—	
	DHS.456/10	BLOCK , terminal, 10-way, assembly ... (For breakdown see DHS. Data Sheet)	1	—	—	
5X/3275 16671	PLESSEY CZ.26808	COVER , terminal block ...	1	—	C	EBQ 1
	DHS.870/1	PILLAR , fixing, 4 BA ...	2	—	C	
	10-20 N 9/158 Mk. 59	CABLE , coded "2.DF.LCB-LCB.Q.P.18," assembly (Mod. 821)	1	—	ECC	
	—	INSTALLATION AT, AND FORWARD OF FRAME 96" (Drg. Nos. 10-20 N 5909, 10-20 N 13463, 10-20 F 2725, 10-20 FC 1103, 10-20 N 13269 and 10-20 N 11421)	1	—	—	
	—	BLOCK , terminal, coded "AAS," group (Mod. 821)	1	—	—	
	DHS.456/5	BLOCK , terminal, 5-way, assembly ... (For breakdown see DHS. Data Sheet)	1	—	—	
5X/9149641	PLESSEY CZ.26805	COVER , terminal block (5940-99-914-9641)	1	—	C	EBN2
5X/9450403	PLESSEY Z.28426	PILLAR , fixing, 4 BA (5340-99-945-0403) ...	2	—	C	
	—	PLATE , terminal, mounting, assembly ... (See sub-section KQ)	—	—	—	
	—	BLOCK , terminal, coded "AV," group ...	1	—	—	
	DHS.456/20	BLOCK , terminal, 20-way, assembly ... (For breakdown see DHS. Data Sheet)	1	—	—	
5X/9149643	PLESSEY CZ.25111	COVER , terminal block (5940-99-914-9643)	1	—	C	EBN2
5X/9450403	PLESSEY Z.28426	PILLAR , fixing, 4 BA (5340-99-945-0403) ...	2	—	C	
5195	DHS.849	SCREW , terminal, 6 BA (At terminal No. 7)	1	—	C	
	—	BLOCK , terminal, coded "DU," group ...	1	—	—	
	DHS.456/10	BLOCK , terminal, 10-way, assembly ... (For breakdown see DHS. Data Sheet)	1	—	—	
5X/3275	PLESSEY CZ.26808	COVER , terminal block ...	1	—	P	EBP2
5X/9450403	PLESSEY Z.28426	PILLAR , fixing, 4 BA (5340-99-945-0403) ...	2	—	C	
	—	PLATE , mounting, assembly (See sub-section EBY)	—	—	—	
	—	BLOCK , terminal, coded "NY," group ...	1	—	—	
	DHS.456/20	BLOCK , terminal, 20-way, assembly ... (For breakdown see DHS. Data Sheet)	1	—	—	
5X/9149643	PLESSEY CZ.25111	COVER , terminal block (5940-99-914-9643)	1	—	C	EBP2
28M/10287	AGS.2001/B/1	NUT , 4 BA ...	2	—	C	
12732	10-20 N 8085	PILLAR , fixing, 4 BA ...	2	—	C	
28VV/9419401	SP.10/B	WASHER ...	2	—	C	
	10-20 N 14017A	CABLE , coded "B3" (aft), assembly (Pre Mod. 803) (For cables circuit coded "LC")	1	—	ECC	
	10-20 N 15001A	CABLE , coded "B3" (aft), assembly (Mod. 803) (For cables circuit coded "LC")	1	—	ECC	
	10-20 N 9/158 Mk. 66	CABLE , coded "1.AAS.LCA-LCA.AV.15." assembly (Mod. 821)	1	—	ECC	

ELECTRICAL INSTALLATIONS

INSTALLATION OF COCKPIT LIGHTING, CODED "LC"

Ref. No.	Part No.	Description	No. off						Material Specification	Class of Store of LM	Plate No.
			1	2	3	4	5	6			
	10-20 N 9/158 Mk. 67	CABLE, coded "3.AAS.LCB-LCB.AV.16," assembly (Mod. 821)	1						—	ECC	
	10-20 N 9/758 Mk. 135	CABLE, coded "1.AMD.LCD-LCD.DU.6," assembly (Mod. 1549)	1						—	ECC	
	10-20 N 9/758 Mk. 136	CABLE, coded "1.AME.LCC-LCC.DU.7," assembly (Mod. 1549)	1						—	ECC	
	10-20 N 9/758 Mk. 137	CABLE, coded "2.AME.LCC-LCC.DU.4," assembly (Mod. 1549)	1						—	ECC	
	10-20 N 9/558 Mk. 3	CABLE, coded "15.AV.LCA-LCA.H.DA.12," assembly (Pre Mod. 803)	1						—	ECC	
	10-20 N 9/758 Mk. 11	CABLE, coded "15.AV.LCA-LCA.HA.DA.12," assembly (Mod. 803)	1						—	ECC	
	10-20 N 9/558 Mk. 1	CABLE, coded "16.AV.LCB-LCB.H.DA.14," assembly (Pre Mod. 803)	1						—	ECC	
	10-20 N 9/758 Mk. 42	CABLE, coded "16.AV.LCB-LCB.HA.DA.14," assembly (Mod. 803)	1						—	ECC	
	10-20 N 9/558 Mk. 44	CABLE, coded "6.B.F.LCF-LCF.★1.D.5," assembly	1						—	ECC	
	10-20 N 9/558 Mk. 45	CABLE, coded "8.B.F.LCF-LCF.★1.D.6," assembly	1						—	ECC	
	10-20 N 9/558 Mk. 2	CABLE, coded "4.D.1★.LC★.H.CX.15," assembly (Pre Mod. 803)	1						—	ECC	
	10-20 N 9/758 Mk. 43	CABLE, coded "4.D.1★.LC★.HA.CX.15," assembly (Mod. 803)	1						—	ECC	
	10-20 N 9/758 Mk. 127	CABLE, coded "2.G.G.LCC-LCC.DU.7," assembly (Mod. 1101)	1						—	ECC	
	10-20 N 9/758 Mk. 132	CABLE, coded "4.GG.LCD-LCD.DU.6," assembly (Mod. 1549)	1						—	ECC	
	10-20 N 9/758 Mk. 133	CABLE, coded "6.GG.LCC-LCC.DU.4," assembly (Mod. 1549)	1						—	ECC	
	10-20 N 9/158 Mk. 13	CABLE, coded "2.WG.LCF-LCF.AV.4," assembly	1						—	ECC	
	10-20 N 22903/CABLES	CABLE, link, assembly (Mod. 1000)	QR						—	ECC	
	6382 DHS.977	COMPASS, check steering, group	1						—	—	
	10-20 N 14223A	CLAMP, cable, 2-way	QR						—	C	
	10-20 N 14223A/CABLES	COMPASS, check steering, c/w cables, assembly	1						—	—	
	6B/2754	CABLE (Supplied with compass)	1						—	ECC	
	5L/9959121	COMPASS, Type E.2B	1						—	P	
	28M/10274	LAMP, electric filament, 28 volts, 0.04 amp.	1						—	C	
	28S/9134016	Attachments for 10-20 N 14223A, Compass :-									
	28S/9144116	Nut, 4 BA	2						—	C	
	28V/9419486	Screw, 4 BA	1						—	C	
		Screw, 4 BA	1						—	C	
		Washer (Fit between compass and mounting bracket)	2						—	C	
	13590 DHS.181/3	TUBING, protective, 3 m/m i/d	QR						—	C	
	10-20 N 15203A	RESISTANCE, "1.AAS-AAS.2," assembly (Mod. 821)	1						—	LM	
	10-20 N 15205A	RESISTANCE, "3.AAS-AAS.4," assembly (Mod. 821)	1						—	LM	
	10-20 N 15207A	RESISTANCE, "3.AAS-AAS.5," assembly (Mod. 821)	1						—	LM	
		Spares for :-									
	5905-99-011-3292	RESISTOR, RWV4-J. 68 ohms	1						—	C	
	10-20 N 12541ND	SLEEVE (Make from Tenatube transparent PVC tubing, 6 m/m, i/d x 1 1/8" long)	1						—	LM	
	5X/9400061	TAG	2						—	C	

INSTALLATION OF COCKPIT LIGHTING, CODED "LC"

Ref. No.	Part No.	Description	No. off	Material Specification	Class of Store or L.M	Place No.
		TERMINAL , earth, stn 1, coded "B" and "D," group	1	—	—	
26DV/7529	DHS.438/C	TAG , corrosion	2	—	C	
26DV/4969	DHS.437/C	TERMINAL , earth, assembly (For breakdown see DHS. Data Sheet)	2	—	C	
		Attachments for DHS.437/C, Terminal :—				
28D/9137409	AS.1246/2C	Bolt, 2 BA	2	—	C	
28M/10288	AGS.2001/C/1	Nut, 2 BA	2	—	C	
28W/9419404	SP.16/C	Washer	2	—	C	
		INSTALLATION AT PILOT'S ATTACK SIGHT PANEL CODED "AU" (Drg. Nos. 10-20 F 3887, 10-20 N 22903)	1	—	—	
	10-20 N 4355A	BOARD , terminal tag, coded "P," assembly ...	1	—	LM	EBL1
	10-20 N 4353ND	STRIP , tag board, $\frac{3}{16}$ " thick	1	LFS.21	LM	EBL1
10H/0560066	HARWIN H.2074Z	TERMINAL , post	2	—	C	EBL1
		Attachments for 10-20 N 4355A, Board :—				
28M/10286	AGS.2001/A/1	Nut, 6 BA	2	—	C	
28S/1011486	A32/A24	Screw, 6 BA	2	—	C	
	10-20 N 4351	Strip, insulating	1	LFS.21	LM	EBL1
28W/9419446	SP.10/A	Washer	2	—	C	
	10-20 N 22903/CABLES	CABLE , link, assembly (For cables circuit coded "LC")	QR	—	ECC	
28E/1201807	AS.3180/5B	CLIP , "P," securing cables	1	—	C	
		Attachments for AS.3180/5B, Clip :—				
28M/10287	AGS.2001/B/1	Nut, 4 BA	1	—	C	
28E/1006260	AS.3180/13B	CLIP , "P," securing cables	1	—	C	
		Attachments for AS.3180/13B, Clip :—				
28M/10287	AGS.2001/B/1	Nut, 4 BA	1	—	C	
28S/1008327	A32/B14	Screw, 4 BA	1	—	C	
	10-20 N 10935A	CLIP , "P," securing cables, $\frac{3}{8}$ " i/d, assembly ...	1	—	—	EBL1
	10-20 N 10931ND	CLIP , bare, 22 SWG	1	L.72	LM	EBL1
	10-20 N 10933ND	SLEEVE (Make from Ref. No. 26FY/6381) ...	1	P.V.C.	LM	EBL1
		Attachments for 10-20 N 10935A, Clip :—				
28M/10287	AGS.2001/B/1	Nut, 4 BA	1	—	C	
28S/9995376	A32/B20	Screw, 4 BA	1	—	C	
	10-20 N 10941A	CLIP , "P," securing cables, 0".75 i/d, assembly	1	—	—	EBL1
	10-20 N 10937ND	CLIP , bare, 20 SWG	1	L.72	LM	EBL1
	10-20 N 10939ND	SLEEVE (Make from Ref. No. 26FY/13114) ...	1	P.V.C.	LM	EBL1
		Attachments for 10-20 N 10941A, Clip :—				
28M/10287	AGS.2001/B/1	Nut, 4 BA	1	—	C	
28S/1007469	A33/B14	Screw, 4 BA	1	—	C	
5L/9959118	—	LAMP , electric, filament, 28 volts, 0.04 amp. ...	10	—	C	
5CX/5353	THORN 80/10/1190	LAMP , instrument miniature bridge type ...	1	—	C	EBL2
5CX/5363	THORN 80/10/0678	LAMP , instrument miniature pillar type ...	1	—	C	EBL2
		Attachments for Ref. No. 5CX/5363, Lamp :—				
13466	10-20 N 7609	Bush, insulating	1	—	C	EBL2
13465	10-20 N 6855	Washer	1	—	C	EBL2
13467	10-20 N 6849	Washer, Insulating	1	—	C	EBL2

ELECTRICAL INSTALLATIONS

INSTALLATION OF COCKPIT LIGHTING, CODED "LC"

Ref. No.	Part No.	Description	No. off						Material Specification	Class of Score or L/M	Plate No.
			1	2	3	4	5	6			
5CX/5145	—	LAMP, instrument miniature surface type ...	1	—	—	—	—	—	C	EBL2	
5CX/5143	—	LAMPHOLDER, Type "A," No. 1, flush type	6	—	—	—	—	—	C	EBL2	
12173	DHS.976	SLEEVE, cable ...	6	—	—	—	—	—	C		
5F/9434858	—	STRAP, flexible, cable fastening, $\frac{5}{16}$ " wide ...	QR	—	—	—	—	—	C		
5F/9138823	—	STUD, cable fastening strap ...	QR	—	—	—	—	—	C		
	10-20 N 7839ND	TAG, earth, at lamp 1, 5 and 6 ... (Make from Ref. No. 5CX/5370)	3	—	—	—	—	—	LM	EBL2	
5CX/5370	THORN 80/10/0098	TAG, earth ...	7	—	—	—	—	—	C	EBL2	
7217	DHS.181/5	TUBING, protective, 5 m/m i/d ...	QR	—	—	—	—	—	C		
5CX/5392	THORN 80/10/0097	WASHER, lower, insulating lamp ...	7	—	—	—	—	—	C	EBL2	
5CX/5391	THORN 80/10/0096	WASHER, top, insulating lamp ...	7	—	—	—	—	—	C	EBL2	
	—	INSTALLATION AT REAR OF FRAME STN. 96", PORT (Drg. No. 10-20 N 22855A)	1	—	—	—	—	—	—		
	—	LAMP, auto throttle indicator, coded "AHT," group (Mod. 1101)	1	—	—	—	—	—	—		
	—	BRACKET, mounting, indicator and lamp (See sub-section ECX)	—	—	—	—	—	—	—		
5L/9959118	—	LAMP, electric, filament, 28 volts, 0.04 amp.	1	—	—	—	—	—	C		
5CX/5363	THORN 80/10/0678	LAMP, instrument, miniature pillar Type, c/w cables (Finish cable ends to detail DHS.520/ZE—see DHS. Data Sheet)	1	—	—	—	—	—	C	EBL2	
5K/9107066	—	SLEEVE, cable ...	1	—	—	—	—	—	C		
	—	INSTALLATION AT THROTTLE BOX AND GROUP, CODED "F" (Drg. Nos. 10-20 CE 4643A, 10-20 N 11421, 10-20 N 11329, 10-20 N 13463)	1	—	—	—	—	—	—		
	—	BLOCK, terminal, coded "B," group ...	1	—	—	—	—	—	—		
	DHS.456/20	BLOCK, terminal, 20-way, assembly ... (For breakdown see DHS. Data Sheet)	1	—	—	—	—	—	—		
5X/9149643	PLESSEY CZ.25111	COVER, terminal block (5940-99-914-9643)	1	—	—	—	—	—	C		
12732	10-20 N 8085	PILLAR, fixing, 4 BA ...	2	—	—	—	—	—	C	EBP2	
	10-20 N 9/158 Mk. 14	CABLE, coded "2.U.F.LCF-LCF.F.B.8," assembly	1	—	—	—	—	—	ECC		
	10-20 N 9/158 Mk. 15	CABLE, coded "1.WG.LCF-LCF.F.B.18," assembly	1	—	—	—	—	—	ECC		
	10-20 N 9/158 Mk. 16	CABLE, coded "1.U.F.LCF-LCF.F.B.18," assembly	1	—	—	—	—	—	ECC		
	10-20 N 9/158 Mk. 17	CABLE, coded "2.H.G.LCF-LCF.F.B.18," assembly	1	—	—	—	—	—	ECC		
	10-20 N 9/158 Mk. 20	CABLE, coded "2.WF.LCF-LCF.F.B.6," assembly	1	—	—	—	—	—	ECC		
	10-20 N 9/158 Mk. 37	CABLE, coded "1.ZN.LCH-LCH.ZM.1," assembly	1	—	—	—	—	—	ECC		
	10-20 N 9/158 Mk. 39	CABLE, coded "2.ZM.LC★-LC★.F.U.2," assembly	1	—	—	—	—	—	ECC		
	—	LAMP, coded "U," group ...	1	—	—	—	—	—	—		
28D/1007982	AS.1248/1C	BOLT, 2 BA ...	1	—	—	—	—	—	C		
	10-20 N 11601	BRACKET, mounting, 18 SWG ...	1	—	—	—	—	L.73	—	EBL1	
5L/9951283	—	LAMP, electric, filament, 28 volts, 3.5 watts	1	—	—	—	—	—	C		
5CX/4058	—	LAMP, Type "C," No. 2 ...	1	—	—	—	—	—	C	EBL1	
	10-20 N 24537	SCREEN (Make from Ref. No. 5CX/3430) ...	1	—	—	—	—	—	LM	EBL1	
	—	LAMP, coded "ZM," group ...	1	—	—	—	—	—	—		
28D/1011002	A25/3A	BOLT, 6 BA ...	2	—	—	—	—	—	C		
5L/9951278	—	LAMP, electric, filament, 28 volts, 3.5 watts	1	—	—	—	—	—	C		
5CX/4058	—	LAMP, Type "C," No. 2 ...	1	—	—	—	—	—	C	EBL3	
28M/10286	AGS.2001/A/1	NUT, 6 BA ...	2	—	—	—	—	—	C		
5CX/3414	—	SCREEN ...	1	—	—	—	—	—	C	EBL3	
28W/9419464	SP.13/A	WASHER ...	2	—	—	—	—	—	C		

INSTALLATION OF COCKPIT LIGHTING, CODED "LC"

Ref. No.	Part No.	Description	No. of	Material Specification	Class of Score or LM	Plate No.
	—	INSTALLATION AT PILOT'S R.H. PANEL, CODED "D" (Drg. Nos. 10-20 N 23107A, 10-20 N 23079A and 10-20 N 23137A)	1	—	—	
	10-20 N 23107A/ CABLES	CABLE , link, assembly (Mod. 1000, Pre Mod. 803) (For cables circuit coded "LC")	QR	—	ECC	
	10-20 N 23079A/ CABLES	CABLE , link, assembly (Mods. 1000 and 803) ... (For cables circuit coded "LC")	QR	—	ECC	
6382	DHS.977	CLAMP , 2-way cable... ..	3	—	C	
28E/9436947	AS.3180/4B	CLIP , "P," securing cables Attachments for AS.3180/4B, Clip:—	1	—	C	
28M/10287	AGS.2001/B/1	Nut, 4 BA	1	—	C	
28S/1007469	A33/B14	Screw, 4 BA	1	—	C	
5L/9959118	—	LAMP , electric, filament, 28 volts, 0.04 amp. ...	8	—	C	
5CX/5143	—	LAMPHOLDER , Type "A," No. 1	8	—	C	EBL2
5CX/5364	—	LAMP , miniature pillar type	1	—	C	
12173	DHS.976	SLEEVE , cable	8	—	C	
	—	TERMINAL , bonding, group	1	—	—	
16609	DHS.457 Mk. P	TERMINAL , bonding, assembly Attachments for DHS.457 Mk. P, Terminal:—	1	—	C	
28M/10309	AGS.2002/B/4	Nut, 4 BA	2	—	C	
28S/9992528	A45/B12	Screw, 4 BA	2	—	C	
28W/1010006	SP.22/B	Washer	2	—	C	
28W/1009752	SP.25/C	WASHER	1	—	C	
26DV/10901	DHS.458	WASHER , corrosion	1	—	C	
28W/9419405	SP.15/E	WASHER (Fit between panel and earth tag, pillar lamp No. 9)	1	—	C	
	—	INSTALLATION AT CENTRE OF COCKPIT, FRAME STATION 131"-85 (Drg. Nos. 10-20 N 11421 and 10-20 N 15363)	1	—	—	
	10-20 N 9/558 Mk. 46	CABLE , coded "1.AAR.LCE-LCE.H.DK.1" ... assembly (Mod. 821)	1	—	ECC	
	10-20 N 9/158 Mk. 56	CABLE , coded "2.AAR.LC★-LC★.H★.POST," assembly (Mod. 821)	1	—	ECC	
	—	LAMP , floodlight, wing-fold control unit, coded "AAR," group	1	—	—	
28D/7002428	A25/6C	BOLT , 2 BA	1	—	C	
	10-20 N 14059	BRACKET , 20 SWG	1	L.72	LM	EBL3
28E/17734	AS.1169/8	CLIP , saddle	1	—	C	
5L/9951283	—	LAMP , electric, filament, 28 volts, 3.5 watts ...	1	—	C	
5CX/4058	—	LAMP , Type "C," No. 2	1	—	C	EBL3
28M/10326	AGS.2002/A/1	NUT , 6 BA	2	—	C	
28M/10328	AGS.2002/C/1	NUT , 2 BA	1	—	C	
	10-20 N 15039	SCREEN (Make from Ref. No. 5CX/2280) ...	1	—	LM	EBL3
28S/9992524	A32/A8	SCREW , 6 BA	2	—	C	
28W/9419464	SP.13/A	WASHER	2	—	C	
28W/9419402	SP.13/C	WASHER	1	—	C	

ELECTRICAL INSTALLATIONS

INSTALLATION OF COCKPIT LIGHTING, CODED "LC"

Ref. No.	Part No.	Description	No. off	Material Specification	Class of Store of LM	Place No.
		INSTALLATION AT PORT COCKPIT WALL (Drg. Nos. 10-20 N 10403, 10-20 N 15365, 10-20 N 11361, 10-20 N 11421 and 10-20 N 11977)	1	—	—	
	10-20 N 9/158 Mk. 21	CABLE , coded "2.H.G.LCF-LCF.WF.1," assembly	1	—	ECC	
	10-20 N 9/158 Mk. 18	CABLE , coded "1.JL.LCF-LCF.WF.1," assembly	1	—	ECC	
	10-20 N 9/158 Mk. 19	CABLE , coded "2.JL.LCF-LCF.WF.2," assembly	1	—	ECC	
	—	LAMP , coded "JL," group	1	—	—	
28D/1011002	A25/1A	BOLT , 6 BA	2	—	C	
	10-20 N 14431A	BRACKET , assembly	1	—	—	EBL1
	10-20 N 11897ND	BRACKET , bare, 18 SWG	1	L.73	LM	EBL1
28M/9435648	AGS.2018/A/1	NUT , 6 BA, anchor	2	—	C	
5L/9951283	—	LAMP , electric, filament, 28 volts, 3.5 watts	1	—	C	
5CX/4058	—	LAMP , Type "C," No. 2	1	—	C	EBL1
28M/10286	AGS.2001/A/1	NUT , 6 BA	2	—	C	
5CX/3430	—	SCREEN	1	—	C	EBL1
28S/1200061	A33/A18	SCREW , 6 BA	2	—	C	
	—	LAMP , coded "WF," group	1	—	—	
28D/1011002	A25/1A	BOLT , 6 BA	2	—	C	
	10-20 N 10405	BRACKET , mounting, 18 SWG	1	L.73	LM	EBL1
5L/9951283	—	LAMP , electric, filament, 28 volts, 3.5 watts	1	—	C	
5CX/4058	—	LAMP , Type "C," No. 2	1	—	P	EBL1
28M/10286	AGS.2001/A/1	NUT , 6 BA	2	—	C	
5CX/3430	—	SCREEN	1	—	C	EBL1
	—	LAMP , coded "WG," group	1	—	—	
28D/1011002	A25/1A	BOLT , 6 BA	2	—	C	
5L/9951283	—	LAMP , electric, filament, 28 volts, 3.5 watts ...	1	—	C	
5CX/4058	—	LAMP , Type "C," No. 2	1	—	P	EBL1
28M/10286	AGS.2001/A/1	NUT , 6 BA	2	—	C	
5CX/3430	—	SCREEN	1	—	C	EBL1
28S/9995324	A32/A16	SCREW , 6 BA	2	—	C	
	—	SWITCH , high intensity, cockpit lamp and bracket, coded "BO," group	1	—	—	
28D/9130082	AS.1246/3B	BOLT , 4 BA	2	—	C	
	10-20 N 10973	BRACKET , 20 SWG	1	L.72	LM	EBL2
	10-20 N 12563A	SWITCH , high intensity, cockpit lamp, assembly	1	—	—	EBL2
	10-20 N 12563A/	CABLE , assembly	1	—	ECC	
	CABLES	SWITCH , toggle	1	—	P	
5CW/5515	ROTAX D.5431-1	SCREW , 4 BA	2	—	C	
28S/1200080	A32/B8	WASHER , shakeproof	2	—	C	
28W/1206041	AGS.2035/B					
	—	INSTALLATION AT CLOSING PANEL, PORT SIDE OF COCKPIT (Drg. Nos. 10-20 N 10221 and 10-20 N 11421)	1	—	—	
	10-20 N 9/758 Mk. 134	CABLE , coded "2.AMD.LCD-LCD.AME.2," assembly (Mod. 1549)	1	—	ECC	
	10-20 N 9/158 Mk. 34	CABLE , coded "2.CO.LCG-LCG.H.CK.15," assembly	1	—	ECC	
	10-20 N 24859A/ND	PLATE , and rectifier, assembly (Mod. 1549) ...	1	—	—	EBL2
5CZ/9562470	WARD BROOKE	BLOCK , terminal, assembly (5940-99-956-2470)	2	—	C	EBL2
	WB/UN/1502	Attachments for WB/UN/1502, Block :—				
28S/1007469	A33/B14	Screw, 4 BA	1	—	C	

ELECTRICAL INSTALLATIONS

INSTALLATION OF COCKPIT LIGHTING, CODED "LC"

Ref. No.	Part No.	Description	No. of	Material Specification	Class of Score or L,M	Plate No.
20735	10-22 N 3587A	PLATE , mounting, assembly	1	—	C	EBL2
28D/1011006	A25/5B	Attachments for 10-22 N 3587A, Plate :—				
28W/9419465	SP.13/B	Bolt, 4 BA	1	—	C	
		Washer	1	—	C	
5CZ/0373982	MULLARD B.Y.Z.12	RECTIFIER , coded "AMD" and "AME" ...	2	—	C	EBL2
5CZ/2742	—	(5960-99-037-3982)				
		RESISTOR UNIT , coded "CO," Type A, No. 3,	1	—	P	
		57 ohms.				
28S/1200061	A33/A18	Attachments for Ref. No. 5CZ/2742, Resistor Unit:—				
		Screw, 6 BA	2	—	C	
		INSTALLATION AT PILOT'S INSTRUMENT	1	—	—	
		PANEL, CODED "B" (Drg. Nos.				
		10-20 N 13409, 10-20 N 24879A, Pre				
		Mod. 1500, Mod. 1549, and 10-22 N				
		3789A, Mods. 1500 and 1549)				
	DHS.456/3	BLOCK , terminal, 3-way, coded "A" assembly	1	—	—	
		(For breakdown see DHS. Data Sheet)				
		Attachments for DHS.456/3, Block :—				
28M/10287	AGS.2001/B/1	Nut, 4 BA	2	—	C	
28S/1200065	A33/B28	Screw, 4 BA	2	—	C	
	10-20 N 14369A	CABLE , coded "B3," assembly (Mod. 657) ...	1	—	ECC	
		(For cables circuit coded "LC")				
	10-20 N 13409/ CABLES	CABLE , link	QR	—	ECC	
	10-20 N 24879A/ CABLES	CABLE , link (Mod. 1549, Pre Mod. 1500) ...	QR	—	ECC	
	10-22 N 3789A/ CABLES	CABLE , link (Mods. 1500 and 1549)	QR	—	ECC	
28E/9436819	AS.3180/3B	CLIP , "P," securing cables	1	—	C	
28E/1201807	AS.3180/5B	CLIP , "P," securing cables	1	—	C	
28E/1201809	AS.3180/6B	CLIP , "P," securing cables	1	—	C	
		Attachments for AS.3180/3B, AS.3180/5B or				
		AS.3180/6B, Clip :—				
28M/10287	AGS.2001/B/1	Nut, 4 BA	1	—	C	
28S/1200066	A33/B20	Screw, 4 BA	1	—	C	
28W/9419465	SP.13/B	Washer	1	—	C	
28E/8018278	AS.3180/8B	CLIP , "P," securing cables	1	—	C	
28E/14633	AS.5418/9	CLIP , "P," securing cables	2	—	C	
28E/14212	AS.5418/16	CLIP , "P," securing cables	1	—	C	
		Attachments for AS.3180/8B, AS.5418/9 or				
		AS.5418/16, Clip :—				
28M/10287	AGS.2001/B/1	Nut, 4 BA	1	—	C	
28S/9992522	A32/B16	Screw, 4 BA	1	—	C	
28W/9419465	SP.13/B	Washer (For use with Ref. No. 28E/8018278, Clip)	1	—	C	
28W/9419474	SP.15/B	Washer (For use with AS.5418, Clips)	2	—	C	
	10-20 N 13621	CLIP , securing cables, 18 SWG	1	L.72	LM	EBL2
	10-20 N 13623	CLIP , securing cables, 18 SWG	1	L.72	LM	
		Attachments for 10-20 N 13621 or 10-20 N 13623,				
		Clip :—				
28M/10327	AGS.2002/B/1	Nut, 4 BA	1	—	C	
28S/9435715	A33/B16	Screw, 4 BA	1	—	C	
28W/9419465	SP.13/B	Washer	1	—	C	

ELECTRICAL INSTALLATIONS

INSTALLATION OF COCKPIT LIGHTING, CODED "LC"

Ref. No.	Part No.	Description	No. off	Material Specification	Class of Store or L.M.	Plate No.
5CX/5302	THORN 80/10/0193	LAMP, bridge, heading indicator	1	—	P	EBL2
	OR					
5CX/5351	THORN 80/10/1193	LAMP, bridge, heading indicator	1	—	P	EBL2
5CX/5352	THORN 80/10/1192	LAMP, bridge, indicator "Violet picture" ...	1	—	P	EBL2
5L/9959118	—	LAMP, electric filament, 28 volts, 0.04 amp. ...	31	—	C	
5CX/5143	—	LAMPHOLDER, Type "A," No. 1, flush type ...	27	—	P	EBL2
5F/9434857	—	STRAP, flexible, cable fastening, 1/2" wide ...	QR	—	C	
5F/9138823	—	STUD, cable fastening strap	QR	—	C	
10F/0510554	—	SWITCH, coded "Q" (5930-99-051-0554) ...	1	—	P	EBL2
5CX/5370	THORN 80/10/0098	TAG, earth	27	—	C	EBL2
6381	DHS.181/9	TUBING, protective, 9 m/m i/d	QR	P.V.C.	C	
	DHS.181/24	TUBING, protective, 24 m/m i/d	QR	P.V.C.	—	
5CX/5392	THORN 80/10/0097	WASHER, lower, insulating lamp	27	—	C	EBL2
5CX/5391	THORN 80/10/0096	WASHER, top, insulating lamp	27	—	C	EBL2
	—	INSTALLATION AT PILOT'S L.H. CONSOLE,	1	—	—	
		CODED "G" (Drg. Nos. 10-20 CE				
		4537A, 10-20 CE 8033 and 10-20 N				
		11421)				
	10-20 N 9/558 Mk. 9	CABLE, coded "1.U.LCE-LCE.G.J.1," assembly ...	1	—	ECC	
	10-20 N 9/558 Mk. 10	CABLE, coded "2.J.G.LCE-LCE.H.DA.1,"	1	—	ECC	
		assembly (Pre Mod. 803)				
	10-20 N 9/758 Mk. 12	CABLE, coded "2.J.G.LCE-LCE.HA.DA.1,"	1	—	ECC	
		assembly (Mod. 803)				
	10-20 N 9/158 Mk. 22	CABLE, coded "1.H.G.LCF-LCF.S.A.8," assembly	1	—	ECC	
	10-20 N 9/158 Mk. 26	CABLE, coded "4.G.G.LCD-LCD.H.CX.13,"	1	—	ECC	
		assembly (Pre Mod. 803)				
	10-20 N 9/758 Mk. 23	CABLE, coded "4.G.G.LCD-LCD.HA.CX.13,"	1	—	ECC	
		assembly (Mod. 803)				
	10-20 N 9/158 Mk. 24	CABLE, coded "3.G.G.LCD-LCD.S.A.4," assembly	1	—	ECC	
	10-20 N 9/158 Mk. 25	CABLE, coded "1.G.G.LCC-LCC.S.A.2," assembly	1	—	ECC	
	10-20 N 9/158 Mk. 27	CABLE, coded "2.G.G.LCC-LCC.H.CX.14,"	1	—	ECC	
		assembly (Pre Mod. 803)				
	10-20 N 9/758 Mk. 32	CABLE, coded "2.G.G.LCC-LCC.HA.CX.14,"	1	—	ECC	
		assembly (Mod. 803)				
SK/—	SP.95/C8	GROMMET (Mod. 1091) (Alternative DHS.	1	—	C	
		1790/C8)				
	—	SWITCH, dimmer, coded "G," group	1	—	—	
5CZ/5648	BERCO MOU.228	KNOB	1	—	C	EBL2
5CW/—	THORN 01/0275	SWITCH, dimmer (Mod. 1549)	1	—	P	EBL2
5CW/2530	—	SWITCH, dimmer, coded "H"	1	—	C	EBL2
		Attachments for Ref. No. 5CW/2530, Switch :—				
28M/10308	AGS.2002/A/4	Nut, 6 BA	3	—	C	
28S/9141665	A45/A16	Screw, 6 BA	3	—	C	
5CW/2452	—	SWITCH, dimmer, coded "J"	1	—	C	
		Attachments for Ref. No. 5CW/2452, Switch :—				
28M/10308	AGS.2002/A/4	Nut, 6 BA	3	—	C	
28S/9141665	A45/A16	Screw, 6 BA	3	—	C	

INSTALLATION OF COCKPIT LIGHTING, CODED "LC"

Ref. No.	Part No.	Description	No. off	Material Specification	Class of Store or L.M.	Plate No.
		INSTALLATION AT STARBOARD FRONT CONSOLE PANEL, CODED "J" (Drg. Nos. 10-20 N 14129A Pre Mod. 923, 10-20 N 15575A Mod. 923, Pre Mod. 803 and 10-20 N 14469A Mod. 803)	1	—	—	
	10-20 N 14129A/ CABLES	CABLE , link, assembly (Pre Mod. 923) ... (For cables circuit coded "LC")	QR	—	ECC	
	10-20 N 15575A/ CABLES	CABLE , link, assembly (Mod. 923, Pre Mod. 803) (For cables circuit coded "LC")	QR	—	ECC	
	10-20 N 14469A/ CABLES	CABLE , link, assembly (Mod. 803) (For cables circuit coded "LC")	QR	—	ECC	
28E/8018278	AS.3180/8B	CLIP , "P," securing cables ... Attachments for AS.3180/8B, Clip:—	1	—	C	
28D/1022405	AS.1242/13B	Bolt, 4 BA ...	1	—	C	
28M/10287	AGS.2001/B/1	Nut, 4 BA ...	1	—	C	
	AS.2807/4/110	Tube, distance, 1/2" o/d x 20 SWG x 1"-10 long	1	T.45	LM	
28VV/9419465	SP.13/B	Washer ...	1	—	C	
5L/9959118	—	LAMP , electric, filament, 28 volts, 0.04 amp. (Pre Mod. 923)	5	—	C	
5L/9959118	—	LAMP , electric, filament, 28 volts, 0.04 amp. ...	4	—	C	
5CX/5363	THORN 80/10/0678	LAMP , instrument, miniature pillar type (Pre Mod. 923)	3	—	P	EBL2
5CX/5363	THORN 80/10/0678	LAMP , instrument, miniature pillar type (Mods. 923 and 803)	2	—	P	
	15821	Attachments for Ref. No. 5CX/5363, Lamp:— Bush, insulating (May be made from Ref. No. 26FY/13466)	1	—	C	EBL2
	13465	Washer ...	1	—	C	EBL2
	13467	Washer, insulating ...	1	—	C	EBL2
5CX/5143	—	LAMPHOLDER , Type "A," No. 1, flush type	2	—	C	
12173	DHS.976	SLEEVE , cable ...	2	—	C	
5F/9434858	—	STRAP , flexible, cable fastening, 5/16" wide	QR	—	C	
5F/9138823	—	STUD , cable fastening strap ...	QR	—	C	
5CX/5370	THORN 80/10/0098	TAG , earth ...	2	—	C	EBL2
5CX/5392	THORN 80/10/0097	WASHER , lower insulating lamp ...	2	—	C	EBL2
5CX/5391	THORN 80/10/0096	WASHER , top insulating lamp ...	2	—	C	EBL2
		INSTALLATION AT CENTRE LONGERON (Drg. No. 10-20 N 14255)	1	—	—	
	10-20 N 9/558 Mk. 38	CABLE , coded "2.ZN.LC★-LC.★H.DK.2," assembly	1	—	ECC	
	—	LAMP , coded "ZN," group ...	1	—	—	
28D/1011002	A25/3A	BOLT , 6 BA ...	2	—	C	
	10-20 N 12817	BRACKET , attachment, 18 SWG ...	1	L.72	LM	
5L/9951278	—	LAMP , electric, filament, 28 volts, 3.5 watts ...	1	—	C	
5CX/4058	—	LAMP , Type "C," No. 2 ...	1	—	P	
28M/10286	AGS.2001/A/1	NUT , 6 BA ...	2	—	C	
5CX/3414	—	SCREEN ...	1	—	C	
28W/9419464	SP.13/A	WASHER ...	2	—	C	

ELECTRICAL INSTALLATIONS

INSTALLATION OF COCKPIT LIGHTING, CODED "LC"

Ref. No.	Part No.	Description	No. off	Material Specification	Class of Store or L.M	Plate No.
	—	INSTALLATION AT STARBOARD COCKPIT WALL (Drg. Nos. 10-20 N 12977 and 10-20 N 11421)	1	—	—	
	—	BLOCK , fuse, coded "S-A," group ...	1	—	—	
10H/23862	—	BLOCK , fuse, 12-way (See sub-section EBV)	—	—	—	
	—	FUSE , 10 amp. ...	4	—	C	
	—	BLOCK , fuse, coded "S-B," group ...	1	—	—	
10H/23862	—	BLOCK , fuse, 12-way (See sub-section EBV) ...	—	—	—	
	—	FUSE , 10 amp. ...	2	—	C	
	—	BLOCK , fuse, coded "S-C," group ...	1	—	—	
	—	BLOCK , fuse, 12-way (See sub-section EBV) ...	—	—	—	
10H/23862	—	FUSE , 10 amp. ...	4	—	C	
	10-20 N 9/758 Mk. 82	CABLE , coded "1.AAG.LCJ-LCJ.S.C.18," assembly (Mod. 1042)	1	—	ECC	
	10-20 N 9/758 Mk. 84	CABLE , coded "1.AAM.LCK-LCK.S.C.20," assembly (Mod. 1042)	1	—	ECC	
	10-20 N 9/758 Mk. 86	CABLE , coded "3.AAM.LCL-LCL.S.C.22," assembly (Mod. 1042)	1	—	ECC	
	10-20 N 9/158 Mk. 52	CABLE , coded "3.AAN.LCM-LCM.S.C.16," assembly (Mod. 821)	1	—	ECC	
	10-20 N 9/558 Mk. 8	CABLE , coded "6.A.S.LCE-LCE.U.1," assembly	1	—	ECC	
	—	INSTALLATION AT STARBOARD REAR CONSOLE PANEL, CODED "L" (Drg. No. 10-20 N 14123A Pre Mod. 803 and 10-20 N 14463A Mod. 803)	1	—	—	
	10-20 N 14123A/ CABLES	CABLE , link, assembly (Pre Mod. 803) ... (For cables circuit coded "LC")	QR	—	ECC	
	10-20 N 14463A/ CABLES	CABLE , link, assembly (Mod. 803) ...	QR	—	ECC	
28E/9436947	AS.3180/4B	CLIP , "P," securing cables ... Attachments for AS.3180/4B, Clip :—	1	—	C	
28M/10287	AGS.2001/B/1	Nut, 4 BA ...	1	—	C	
28S/1007469	A33/B14	Screw, 4 BA ...	1	—	C	
28E/1200549	AS.3180/8C	CLIP , "P" securing cables ... Attachments for AS.3180/8C, Clip :—	1	—	C	
28D/1214039	AS.1242/18C	Bolt, 2 BA ...	1	—	C	
28M/10288	AGS.2001/C/1	Nut, 2 BA ...	1	—	C	
	AS.2806/4/160	Tube, distance, 1/4" o/d x 22 SWG x 1"-60 long ...	1	T.45	LM	
28W/9419402	SP.13/C	Washer ...	1	—	C	
5L/9959118	—	LAMP , electric, filament, 28 volts, 0.04 amp. ...	6	—	C	
5CX/5363	THORN 80/10/0678	LAMP , instrument, miniature pillar type ... Attachments for 80/10/0678, Lamp :—	3	—	C	EBL2
15821	10-20 N 13699	Bush, insulating (May be made from Ref. No. 26FY/13466)	1	—	C	EBL2
13465	10-20 N 6855	Washer ...	1	—	C	EBL2
13467	10-20 N 6849	Washer, insulating ...	1	—	C	EBL2
5CX/5143	—	LAMPHOLDER , Type "A," No. 1, flush type ...	2	—	C	EBL2
5CX/5145	—	LAMPHOLDER , Type "B," surface type ...	1	—	C	EBL2
12173	DHS.976	SLEEVE , cable ...	2	—	C	
5CX/5370	THORN 80/10/0098	TAG , earth ...	3	—	C	ELB2
5CX/5392	THORN 80/10/0097	WASHER , lower, insulating lamp ...	3	—	C	EBL2
5CX/5391	THORN 80/10/0096	WASHER , top, insulating lamp ...	3	—	C	EBL2

INSTALLATION OF COCKPIT LIGHTING, CODED "LC"

Ref. No.	Part No.	Description	No. off	Material Specification	Class of Store or L.M	Plate No.
	—	INSTALLATION AT LOWER PANEL, CODED "H" (Drg. Nos. 10-20 N 15833A Pre Mod. 803, 10-20 N 15709A Mod. 803)	1	—	—	
	—	BLOCK , fuse, coded "CW," group ...	1	—	—	
10H/23862	—	BLOCK , fuse, 12-way (See sub-section EBV) ...	—	—	—	
	—	FUSE , 10 amp. ...	2	—	C	
	—	INSTALLATION AT UPPER PANEL, CODED "H" (Drg. Nos. 10-20 N 15781 Pre Mod. 803, 10-20 N 22229 Mods. 1053 and 803, 10-20 N 13987 Mod. 803, 10-20 N 11809, 10-20 N 11947 and 10-20 N 11563A)	1	—	—	
	—	BLOCK , terminal, coded "CK," group ...	1	—	—	
	DHS.456/20L	BLOCK , terminal, 20-way, assembly ... (For breakdown see DHS. Data Sheet)	1	—	—	
5X/9149643	PLESSEY CZ.25111	COVER , terminal block (5940-99-914-9643)...	1	—	C	
7657	DHS.870/5	PILLAR , fixing, 4 BA ...	2	—	C	
26DV/12296	DHS.489/5	SPACER ...	2	—	C	
	—	BLOCK , terminal, coded "CR," group ...	1	—	—	
	DHS.456/20L	BLOCK , terminal, 20-way, assembly ... (For breakdown see DHS. Data Sheet)	1	—	—	
5X/9149643	PLESSEY CZ.25111	COVER , terminal block (5940-99-914-9643)...	1	—	C	
12732	10-20 N 8085	PILLAR , fixing, 2 BA ...	2	—	C	EBP2
	—	BLOCK , terminal, coded "CX," group ... (Pre Mod. 803)	1	—	—	
	DHS.456/20L	BLOCK , terminal, 20-way, assembly ... (For breakdown see DHS. Data Sheet)	1	—	—	
5X/9149643	PLESSEY CZ.25111	COVER , terminal block (5940-99-914-9643)...	1	—	C	
13954	10-20 N 1605	PILLAR , fixing, 4 BA ...	1	—	C	EAN1
16351	10-20 N 12571	PILLAR , fixing, 4 BA ...	1	—	C	EAN1
	10-20 N 8367A	PLATE , mounting, terminal block, assembly ...	1	—	—	EAN1
28M/9434251	AGS.2008/B/1	NUT , anchor, 4 BA ...	1	—	C	
	10-20 N 8005ND	PLATE , bare, 16 SWG ...	1	L.72	LM	EAN1
26DV/12296	DHS.489/5	SPACER ...	1	—	C	
	—	BLOCK , terminal, coded "CX," group (Mod. 803)	1	—	—	
	DHS.456/20	BLOCK , terminal, 20-way, assembly ... (For breakdown see DHS. Data Sheet)	1	—	—	
5X/9149643	PLESSEY CZ.25111	COVER , terminal block (5940-99-914-9643)...	1	—	C	
5X/9450403	PLESSEY Z.28426	PILLAR , fixing, 4 BA (5340-99-945-0403) ...	2	—	C	
	—	BLOCK , terminal, coded "DA," group ... (Pre Mod. 803)	1	—	—	
28D/1010658	A25/1B	BOLT , 4 BA ...	1	—	C	
28D/9436920	A25/1C	BOLT , 2 BA, securing plate ...	1	—	C	
	10-20 N 7159	PIECE , distance ...	1	L.65	LM	EBE3
5X/9450403	PLESSEY Z.28426	PILLAR , fixing, 4 BA (5340-99-945-0403) ...	1	—	C	
	10-20 N 7121A	PLATE , mounting, complete with terminal block, assembly	1	—	—	EBE3
	DHS.456/20L	BLOCK , terminal, 20-way, assembly ... (For breakdown see DHS. Data Sheet)	1	—	—	
5X/9149643	PLESSEY CZ.25111	COVER , terminal block (5940-99-914-9643)	1	—	C	
28M/10327	AGS.2002/B/1	NUT , 4 BA ...	1	—	C	
5X/9450403	PLESSEY Z.28426	PILLAR , fixing, 4 BA (5340-99-945-0403) ...	1	—	C	
	10-20 N 7123ND	PLATE , mounting, terminal block, 18 SWG	1	L.72	LM	EBE3
28W/9419401	SP.10/B	WASHER ...	1	—	C	
28W/9419465	SP.13/B	WASHER ...	1	—	C	

ELECTRICAL INSTALLATIONS
INSTALLATION OF COCKPIT LIGHTING, CODED "LC"

Ref. No.	Part No.	Description	No. off						Material Specification	Class of Score or L/M	Plate No.
			1	2	3	4	5	6			
	—	BLOCK , terminal, coded "DA," group (Mod. 803)						1	—	—	
	DHS.456/20	BLOCK , terminal, 20-way, assembly ... (For breakdown see DHS. Data Sheet)						1	—	—	
5X/9149643	PLESSEY CZ.25111	COVER , terminal block (5940-99-914-9643)...						1	—	C	
5X/9450403	PLESSEY Z.28426	PILLAR , fixing, 4 BA (5340-99-945-0403) ...						2	—	C	
	—	BOARD , 2-way terminal, coded "AX," group...						1	—	—	
5X/9402802	AS.2633	BOARD , terminal screwed head (5940-99-940-2802)						1	—	C	
5X/9402796	AS.2601	COVER , terminal board (5940-99-940-2796)...						1	—	C	
28S/9992522	A32/B16	SCREW , 4 BA ...						2	—	C	
5X/9402799	AS.2606	TERMINAL , double tier (5940-99-940-2799)						2	—	C	
	10-20 N 11563A/ CABLES	CABLE , link, assembly ...						QR	—	ECC	
	10-20 N 11809/ CABLES	CABLE , link, assembly ...						QR	—	ECC	
	10-20 N 15771/ CABLES	CABLE , link, assembly (Pre Mod. 803) ...						QR	—	ECC	
	10-20 N 22251/ CABLES	CABLE , link, assembly (Mods. 1016 and 803) ... (For cables circuit coded "LC")						QR	—	ECC	
	—	LAMP , coded "DK," group ...						1	—	—	
28D/1011002	A25/1A	BOLT , 6 BA ...						2	—	C	
	—	BRACKET , mounting (See sub-section FB) ...						—	—	—	
5L/9951283	—	LAMP , electric, filament, 28 volts, 3-5 watts ...						1	—	C	
5CX/4058	—	LAMP , Type "C," No. 2 ...						1	—	C	
28M/10286	AGS.2001/A/1	NUT , 6 BA ...						2	—	C	
	10-20 N 22355	SCREEN (For use on Pre Mod. 803 A/C) ... (Make from Ref. No. 5CX/2280)						1	—	LM	EBL3
	10-20 N 11417	SCREEN (For use on Mod. 803 A/C) ... (Make from Ref. No. 5CX/2280)						1	—	LM	EBL3
	—	LAMP , coded "DP," group ...						1	—	—	
28D/91374082	AS.1246/1B	BOLT , 4 BA ...						2	—	C	
	—	BRACKET , mounting (See sub-section FB) ...						—	—	—	
5L/9951282	—	LAMP , electric, filament, 28 volts, 12 watts ...						1	—	C	
5CX/5128	—	LAMP , high intensity, anti-dazzle ...						1	—	C	EBL3
28M/10327	AGS.2002/B/1	NUT , 4 BA ...						2	—	C	
28W/9419401	SP.10/B	WASHER ...						2	—	C	
5L/9959118	—	LAMP , electric, filament, 28 volts, 0-04 amp. ...						24	—	C	
5CX/5143	—	LAMPHOLDER , instrument, miniature flush type						18	—	C	EBL2
5CX/5145	—	LAMPHOLDER , instrument, miniature surface type						6	—	C	EBL2
	—	RHEOSTAT , coded "AJ," group ...						1	—	—	
5CZ/5648	BERCO MOU.228	KNOB ...						1	—	C	EBL1
12689	10-20 N 7727A	RHEOSTAT , double banked, assembly ...						1	—	C	EBL1
9559	10-20 N 9191	COVER , fibreglass ...						1	—	C	EBL1
9560	10-20 N 9193	COVER , fibreglass ...						1	—	C	EBL1
12729	10-20 N 7719A	FRAME , forward ...						1	—	C	EBL1
	10-20 N 7725	FRAME , rear, 16 SWG ...						1	S.511	LM	EBL1
28M/9995181	A53/B	NUT , 4 BA ...						6	—	C	
	10-20 N 9823	PLATE , joint, 24 SWG ...						2	S.510	—	EBL1
12723	BERCO DT.41/1	RHEOSTAT , 19-5 ohms. with "OFF" position terminal bands each end						1	—	C	EBL1
12725	10-20 N 7797A	RHEOSTAT (Berco DT.41/2 plain spindle modified)						1	—	C	EBL1
28S/9992524	A32/AB	SCREW , 6 BA ...						8	—	C	
28S/9148118	A43/B10	SCREW , 4 BA ...						6	—	C	

INSTALLATION OF COCKPIT LIGHTING, CODED "LC"

Ref. No.	Part No.	Description	No of	Material Specification	Class of Store or L.M	Plate No.
28W/9419185	AGS.2035/A	WASHER , shakeproof	8	—	C	
28W/9419448	AGS.2035/B	WASHER , shakeproof	6	—	C	
28S/1012962	AS.2996/6C	Attachments for 10-20 N 7727A. Rheostat :—				
28W/9128924	SP.14/C	Screw, 2 BA	2	—	C	
		Washer	2	—	C	
12173	DHS.976	SLEEVE , cable	18	—	C	
	—	TERMINAL , bonding, group	1	—	—	
28M/10274	AGS.2001/B/4	NUT , 4 BA	2	—	C	
28S/9134013	A45/B14	SCREW , 4 BA	2	—	C	
26DV/4968	DHS.457	TERMINAL , bonding	1	—	C	
26DV/10901	DHS.458	WASHER , corrosion	1	—	C	
	—	INSTALLATION AT GROUP, CODED "T"	1	—	—	
		(Drg. Nos. 10-20 N 5733 and 10-20 N 11421)				
	DHS.456/20	BLOCK , terminal, coded "F," group	1	—	—	
		BLOCK , terminal, 20-way, assembly	1	—	—	
		(For breakdown see DHS. Data Sheet)				
5X/9149643	PLESSEY CZ.25111	COVER , terminal block (5940-99-914-9643)...	1	—	C	
28M/10327	AGS.2002/B/1	NUT , 4 BA	1	—	C	
5X/9450403	PLESSEY Z.28426	PILLAR , fixing, 4 BA (5340-99-945-0403) ...	1	—	C	
7657	DHS.870/5	PILLAR , fixing, 4 BA	1	—	C	
26DV/12296	DHS.489/5	SPACER	1	—	C	
	10-20 N 9/158 Mk. 73	CABLE , coded "1.AAN.LCK-LCK.T.F.14,"	1	—	ECC	
		assembly (Mod. 821, Pre Mod. 827)				
	10-20 N 9/758 Mk. 125	CABLE , coded "1.AAN.LCK-LCK.T.F.14,"	1	—	ECC	
		assembly (Mod. 827)				
	10-20 N 9/158 Mk. 50	CABLE , coded "2.AAN.LCL-LCL.T.F.13,"	1	—	ECC	
		assembly (Mod. 821, Pre Mod. 827)				
	10-20 N 9/758 Mk. 120	CABLE , coded "2.AAN.LCL-LCL.T.F.13,"	1	—	ECC	
		assembly (Mod. 827)				
	10-20 N 9/658 Mk. 76	CABLE , coded "5.AAN.LC★-LC★.T.F.12,"	1	—	ECC	
		assembly (Mod. 821, Pre Mod. 827)				
	10-20 N 9/758 Mk. 123	CABLE , coded "5.AAN.LC★-LC★.T.F.12,"	1	—	ECC	
		assembly (Mod. 827)				
	10-20 N 9/658 Mk. 35	CABLE , coded "12.F.T.LC-LC★.3.C.7," assembly	1	—	ECC	
	10-20 N 9/158 Mk. 61	CABLE , coded "14.F.T.LCB-LCB.T.F.7," assembly	1	—	ECC	
		(Mod. 821)				
	—	INSTALLATION AT NAVIGATOR'S I.F.F. PANEL, CODED "AN"	1	—	—	
		(Drg. Nos. 10-20 N 20315A and 10-20 N 20443)				
	10-20 N 20315A/	CABLE , link, assembly (Mod. 1042)	QR	—	ECC	
	CABLES	GROMMET (Alternative DHS.1790/C4)	3	—	C	
5K/—	SP.95/C4	LAMP , electric, filament, 28 volts, 0.04 amp. ...	5	—	C	
5L/9959118	—	LAMP , bridge, A.S.I. and altimeter	2	—	P	
5CX/5352	—	LAMP , instrument miniature pillar type	1	—	C	
5CX/5363	—	Attachments for Ref. No. 5CX/5363, Lamp :—				
15821	10-20 N 13699	Bush, insulating (May be made from Ref. No. 26FY/13466)	1	—	C	EBL2
13465	10-20 N 6855	Washer	1	—	C	EBL2
13467	10-20 N 6849	Washer, insulating	1	—	C	EBL2
5F/9434858	—	STRAP , flexible, cable fastening, $\frac{5}{16}$ " wide ...	QR	—	C	
5F/9138823	—	STUD , cable fastening strap	QR	—	C	

ELECTRICAL INSTALLATIONS

INSTALLATION OF COCKPIT LIGHTING, CODED "LC"

Ref. No.	Part No.	Description	1 2 3 4 5 6						No. off	Material Specification	Class of Store or L.M.	Plate No.
			<p align="center">INSTALLATION AT NAVIGATOR R.H. INSTRUMENT PANEL CODED "N" (Drg. Nos. 10-20 N 8831, 10-20 N 9009A/1)</p>									
	DHS.456/5	BLOCK , terminal, 5-way, coded "H," group ...						1	—	—		
		BLOCK , terminal, 5-way, assembly ...						1	—	—		
		(For breakdown see DHS. Data Sheet)										
5X/9149641	PLESSEY CZ.26805	COVER , terminal block (5940-99-914-9641) ...						1	—	C		
5X/1004083	PLESSEY Z.50211	LINK , commoning, 3-way (5940-99-100-4083)						1	—	C		
5X/1004082	PLESSEY Z.50210	LINK , terminal, connecting, 2-way ...						1	—	C		
		(5940-99-100-4082)										
26DV/7571	10-20 N 983	NUT , slotted ...						2	—	C	BA13	
28S/1214141	AS.2991/8B	SCREW , 4 BA ...						2	—	C		
5195	DHS.849	SCREW , terminal (For terminals 1 and 2) ...						2	—	C		
	10-20 N 9009A/1/											
	CABLES											
28E/9436947	AS.3180/4B	CABLE , link, assembly ...						QR	—	ECC		
		CLIP , "P," securing cables ...						1	—	C		
		Attachments for AS.3180/4B, Clip :—										
28M/10287	AGS.2001/B/1	Nut, 4 BA ...						1	—	C		
28S/1008327	A32/B14	Screw, 4 BA ...						1	—	C		
28E/1201807	AS.3180/5B	CLIP , "P," securing cables ...						2	—	C		
		Attachments for AS.3180/5B, Clip :—										
28M/10287	AGS.2001/B/1	Nut, 4 BA ...						1	—	C		
28S/1008327	A32/B14	Screw, 4 BA, securing clip at rear of armed time indicator						1	—	C		
	AS.2807/4/050	Tube, distance, 1/4" o/d x 20 SWG x 0"50 long (Between clip and earth terminal)						1	T.45	LM		
28E/1201809	AS.3180/6B	CLIP , "P," securing cables ...						1	—	C		
		Attachments for AS.3180/6B, Clip :—										
28M/10287	AGS.2001/B/1	Nut, 4 BA ...						1	—	C		
28S/1011488	A32/B28	Screw, 4 BA ...						1	—	C		
	AS.2807/4/050	Tube, distance, 1/4" o/d x 20 SWG x 0"50 long						1	T.45	LM		
5K/—	SP.95/A4	GROMMET (Alternative DHS.1790/A4) ...						8	—	C		
5L/9959118	—	LAMP , electric, filament, 28 volts, 0.04 amp. ...						11	—	C		
5CX/5304	THORN SBA.108/200	LAMP , instrument, miniature bridge ...						5	—	P	EBL2	
5CX/5312	THORN SBA.10600	LAMP , instrument, miniature pillar ...						1	—	P	EBL2	
	OR											
5CX/5364	THORN 80/10/0855	LAMP , instrument, miniature pillar ...						1	—	P	EBL2	
13465	10-20 N 6855	WASHER (Replacing tag at lamp No. 11) ...						1	—	C	EBL2	
	—											
		INSTALLATION AT REAR PRESSURE BULK-HEAD, CODED "Q"						1	—	—		
		(Drg. Nos. 10-20 N 10635 and 10-20 N 11421)										
	DHS.456/20	BLOCK , terminal, coded "P," group ...						1	—	—		
		BLOCK , terminal, 20-way, assembly ...						1	—	—		
		(For breakdown see DHS. Data Sheet)										
5X/9149643	PLESSEY CZ.25111	COVER , terminal block (5940-99-914-9643) ...						1	—	C		
12732	10-20 N 8085	PILLAR , fixing, 4 BA ...						2	—	C	EBP2	
	10-20 N 9/158 Mk. 57	CABLE , coded "1.AAN.LCK-LCK.Q.P.19," assembly (Mod. 821)						1	—	ECC		
	10-20 N 9/158 Mk. 58	CABLE , coded "2.AAN.LCL-LCL.Q.P.18," assembly (Mod. 821)						1	—	ECC		
	10-20 N 9/158 Mk. 60	CABLE , coded "1.JK.LCK-LCK.Q.P.19," assembly (Mod. 821)						1	—	ECC		

ELECTRICAL INSTALLATIONS

INSTALLATION OF COCKPIT LIGHTING, CODED "LC"

Ref. No.	Part No.	Description	No. off	Material Specification	Class of Store or L.M	Place No.
	10-20 N 9/158 Mk. 30	CABLE , coded "2.JK.LCA-LCA*3.D7," assembly	1	—	ECC	
	10-20 N 9/158 Mk. 31	CABLE , coded "2.U.LCE-LCE*3.B.5," assembly	1	—	ECC	
	—	TERMINAL , earth, station 3, coded "B," "C," "D," group	1	—	—	
26DV/7529	DHS.438/C	TAG , corrosion	3	—	C	
26DV/4969	DHS.437/C	TERMINAL , earth, assembly (For breakdown see DHS. Data Sheet)	3	—	C	
	—	Attachments for DHS.437/C, Terminal :—				
28M/10288	AGS.2001/C/1	Nut, 2 BA	1	—	C	
28W/9419475	SP.15/C	Washer	1	—	C	
	—	INSTALLATION AT NAVIGATOR'S COCKPIT, FORWARD OF STATION 125"5 (Drg. Nos. 10-20 N 9377 Pre Mod. 827; 10-20 N 23247 Mod. 827, 10-20 N 11421 and 10-20 N 22751)	1	—	—	
	10-20 N 15345A	BLOCK , terminal and plate, coded "AAH" and "AAN," assembly (Mod. 823, Pre Mod. 827)	1	—	—	
	—	BLOCK , terminal, coded "AAN," group ...	1	—	—	
	DHS.456/5	BLOCK , terminal, 5-way, assembly ... (For breakdown see DHS. Data Sheet)	1	—	—	
5X/9149641	PLESSEY CZ.26805	COVER , terminal block (5940-99-914-9641)	1	—	C	
5X/1004082	PLESSEY Z.50210	LINK , terminal connecting, 2-way ... (Fit between terminals 4 and 5) (5940-99-100-4082)	1	—	C	
26DV/7571	10-20 N 983	NUT , slotted	2	—	C	BA13
28S/1214141	AS.2991/8B	SCREW , 4 BA	2	—	C	
5195	DHS.849	SCREW , terminal (Mod. 821) (Fit at terminals Nos. 1, 2 and 5)	3	—	C	
28W/9419448	AGS.2035/B	WASHER , shakeproof	2	—	C	
	10-20 N 14069	PLATE , lamp, and terminal block, mounting, 18 SWG	1	L.72	LM	
	—	BLOCK , terminal, coded "AAN," group ... (Mod. 827)	1	—	—	
	DHS.456/5	BLOCK , terminal, 5-way, assembly ... (For breakdown see DHS. Data Sheet)	1	—	—	
5X/9149641	PLESSEY CZ.26805	COVER , terminal block (5940-99-914-9641) ...	1	—	P	
5X/1004082	PLESSEY Z.50210	LINK , terminal connecting, 2-way ... (Fit between terminals Nos. 4 and 5) (5940-99-100-4082)	1	—	C	
5X/9450403	PLESSEY Z.28426	PILLAR , fixing, 4 BA (5340-99-945-0403)	2	—	C	
5195	DHS.849	SCREW , terminal (Fit at terminals Nos. 1, 2 and 5)	3	—	C	
	10-20 N 9/758 Mk. 83	CABLE , coded "2.AAG.LCJ-LCJ.AAH.1," assembly (Mod. 1042, Pre Mod. 827)	1	—	ECC	
	10-22 N 9/158 Mk. 111	CABLE , coded "2.AAG.LCJ-LCJ.AAL.1," assembly (Mods. 1180 and 827)	1	—	ECC	
	10-20 N 9/758 Mk. 128	CABLE , coded "1.AAH.LCJ-LCJ.AAK.1," assembly (Mod. 1180, Pre Mod. 827)	1	—	ECC	
	10-20 N 9/758 Mk. 129	CABLE , coded "2.AAH.LC-★LC★.AAK.2," assembly (Mod. 1180, Pre Mod. 827)	1	—	ECC	
	10-20 N 9/158 Mk. 77	CABLE , coded "2.AAH.LC★-LC★.AAN.4," assembly (Mod. 821, Pre Mod. 827)	1	—	ECC	
	10-20 N 9/758 Mk. 85	CABLE , coded "2.AAM.LCK★LCK.ANN.1," assembly (Mod. 1042, Pre Mod. 827)	1	—	ECC	
	10-20 N 9/758 Mk. 124	CABLE , coded, "3.AAM.LCK-LCK.AAN.1," assembly (Mod. 827)	1	—	ECC	

ELECTRICAL INSTALLATIONS

INSTALLATION OF COCKPIT LIGHTING, CODED "LC"

Ref. No.	Part No.	Description	No. off	Material Specification	Class of Store or L.M	Plate No.
	10-20 N 9/758 Mk. 87	CABLE , coded " 4.AAM.LCL-LCL.AAN.2," assembly (Mod. 1042, Pre Mod. 827)	1	—	ECC	
	10-20 N 9/758 Mk. 126	CABLE , coded " 4.AAM.LCL-LCL.AAN.2," assembly (Mod. 827)	1	—	ECC	
	10-20 N 9/158 Mk. 51	CABLE , coded " 3.AAN.LCM-LCM.AAP.1," assembly (Mod. 821, Pre Mod. 827)	1	—	ECC	
	10-20 N 9/758 Mk. 121	CABLE , coded " 3.AAN.LCM-LCM.AAP.1," assembly (Mod. 827)	1	—	ECC	
	10-22 N 9/158 Mk. 112	CABLE , coded " 4.AAN.LC★-LC★.AAL.2," assembly (Mods. 1180 and 827)	1	—	ECC	
	10-20 N 9/158 Mk. 53	CABLE , coded " 2.AAP.LCM-LCM.AAQ.1," assembly (Mod. 821)	1	—	ECC	
	10-20 N 9/158 Mk. 54	CABLE , coded " 2.AAQ.LC★-LC★.AAN.4," assembly (Mod. 821, Pre Mod. 827)	1	—	ECC	
	10-20 N 9/758 Mk. 122	CABLE , coded " 2.AAQ.LC★-LC★.AAN.4," assembly (Mod. 827)	1	—	ECC	
	10-20 N 15347A	LAMP , floodlight, cockpit, assembly (Mod. 823, Pre Mod. 827)	1	—	—	
	10-20 N 14071	BRACKET , mounting, lamp, 20 SWG ...	1	L.72	LM	
	—	LAMP , floodlight, coded " AAH," group ...	1	—	—	
5L/9951283	—	LAMP , electric, filament, 28 volts, 3.5 watts	1	—	C	
5CX/4058	—	LAMP , Type " C," No. 2 ...	1	—	P	EBL1
28M/10326	AGS.2002/A/1	NUT , 6 BA ...	2	—	C	
5CX/3430	—	SCREEN ...	1	—	C	EBL1
28S/1006948	A32/A12	SCREW , 6 BA ...	2	—	C	
28VV/9419464	SP.13/A	WASHER ...	2	—	C	
		Attachments for 10-20 N 15347A, Lamp :—				
	28M/10286	Nut, 6 BA ...	2	—	C	
	28S/9995324	Screw, 6 BA ...	2	—	C	
	28VV/9419464	Washer ...	2	—	C	
	10-20 N 15359A/ND	LAMP , floodlight, cockpit, assembly (Mod. 821) ...	1	—	—	EBL1
	10-20 N 14087A	BRACKET , mounting, assembly ...	1	—	—	EBL1
	10-20 N 14085ND	BRACKET , bare, 18 SWG ...	1	L.72	LM	EBL1
28M/11957	AGS.2007/C/1	NUT , 2 BA ...	2	—	C	
	—	LAMP , coded " AAQ," group ...	1	—	—	
	5CX/366	LAMP , cockpit, Mk. 2 ...	1	—	P	EBL1
	5L/9953271	LAMP , electric, filament, 28 volts, 7 watts	1	—	C	
	28M/10286	NUT , 6 BA ...	4	—	C	
	28S/1006948	SCREW , 6 BA ...	4	—	C	
		Attachments for 10-20 N 15359A/ND, Lamp :—				
	28S/1012945	Screw, 2 BA ...	2	—	C	
	SCY/587	SOCKET , Type " A," Navigator's chartboard lamp, coded " U "	1	—	C	
		Attachments for Ref. No. SCY/587, Socket :—				
	28S/9995324	Screw, 6 BA ...	3	—	C	
	10-20 N 15361A/ND	SWITCH , dimmer, coded " AAP," assembly (Mod. 821) ...	1	—	—	EBL1
	28D/9706373	BOLT , 6 BA ...	3	—	C	
	10-20 N 14103A	BRACKET , mounting, dimmer switch, assembly	1	—	—	EBL1
	10-20 N 14105ND	BRACKET , bare, 16 SWG ...	1	L.72	LM	EBL1
	28M/11957	NUT , anchor, 2 BA ...	1	—	C	
	28M/10286	NUT , 6 BA ...	3	—	C	
	5CW/724	SWITCH , dimmer, Type " E," ...	1	—	P	EBL1
		Attachments for 10-20 N 15361A/ND, Switch :—				
	28S/1012945	Screw, 2 BA ...	1	—	C	

ELECTRICAL INSTALLATIONS

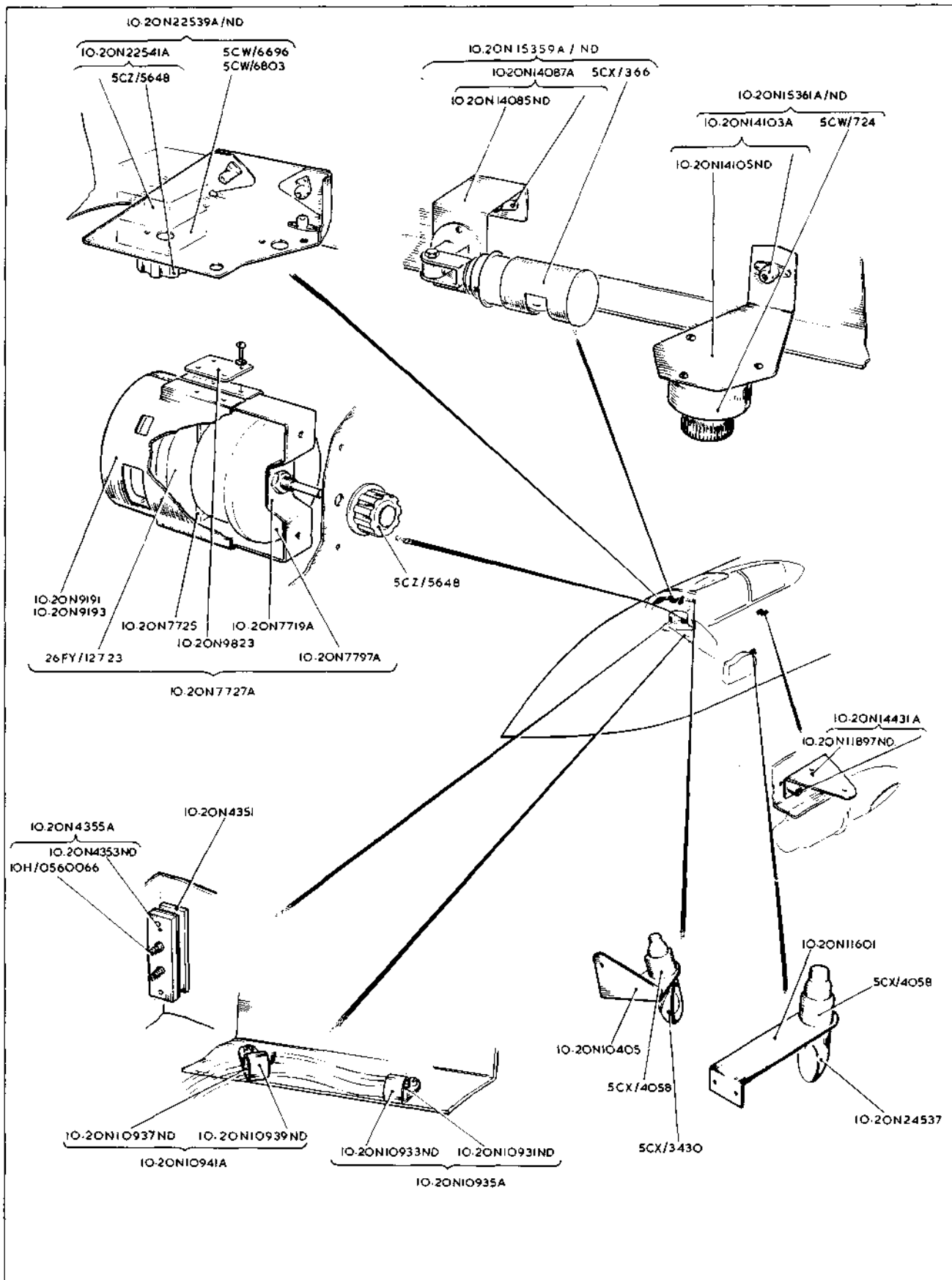
INSTALLATION OF COCKPIT LIGHTING, CODED "LC"

Ref. No.	Part No.	Description	No. off	Material Specification	Class of Score or L.M.	Plate No.
	10-20 N 22539A/ND	SWITCHES , dimmer, cockpit floodlights, assembly Mod. 1042)	1	—	—	EBL1
17633	10-20 N 22541A	BRACKET , mounting, dimmer switches, assembly	1	—	C	EBL1
	—	SWITCH , dimmer, coded "AAG," group ...	1	—	—	
5CZ/5648	BERCO MOU.228	KNOB , c/w collet and spindle ...	1	—	C	EBL1 EBL2 EBL1
5CW/6696	THORN 80/10/0937	SWITCH , dimmer ...	1	—	P	EBL1
5CW/6803	THORN 80/10/0935	SWITCH , dimmer, coded "AAM" ...	1	—	P	EBL1
28S/1012945	AS.2992/5C	Attachments for 10-20 N 22539A/ND, Switches :— Screw, 2 BA ...	3	—	C	
	—	INSTALLATION AT NAVIGATOR'S SHOULDER GUARD (Drg. Nos. 10-20 F 2685, 10-20 N 11421, 10-20 N 14237, 10-20 N 22883, 10-20 N 15453, 10-20 N 22955 and 10-20 N 23057A)	1	—	—	
	—	BLOCK , terminal, coded "JK" group ...	1	—	—	
	DHS.456/2	BLOCK , terminal, 2-way, assembly ... (For breakdown see DHS. Data Sheet)	1	—	—	
5X/3272	PLESSEY CZ.26799	COVER , terminal block ...	1	—	C	
5X/9450403	PLESSEY Z.28426	PILLAR , fixing, 4 BA (5340-99-945-0403) ...	2	—	C	
	—	BLOCK , terminal, coded "NX," group ...	1	—	—	
	DHS.456/20	BLOCK , terminal, 20-way, assembly ... (For breakdown see DHS. Data Sheet)	1	—	—	
5X/9149643	PLESSEY CZ.25111	COVER , terminal block (5940-99-914-9643) ...	1	—	C	
5X/9450403	PLESSEY Z.28426	PILLAR , fixing, 4 BA (5340-99-945-0403) ...	2	—	C	
	10-20 N 9/558 Mk. 49	CABLE , coded "1.AALLCJ-LCJ.AAT.1," assembly (Mod. 821)	1	—	ECC	
	10-20 N 9/758 Mk. 78	CABLE , coded "1.AAT.LCJ-LCJ.ADY.1," assembly (Mod. 1042)	1	—	ECC	
	10-20 N 9/558 Mk. 41	CABLE , coded "2.AAT.LCE-LCE.JK.2," assembly	1	—	ECC	
	10-20 N 9/758 Mk. 79	CABLE , coded "2.AAT.LCJ*-LCJ*.ADY.2" assembly (Mod. 1042)	1	—	ECC	
	10-20 N 9/758 Mk. 80	CABLE , coded "1.ADY.LCJ-LCJ.AGV.1," assembly (Mod. 1091)	1	—	ECC	
	10-20 N 9/758 Mk. 81	CABLE , coded "2.ADY.LCJ*-LCJ*.AGV.2," assembly (Mod. 1091)	1	—	ECC	
	10-20 N 9/758 Mk. 36	CABLE , coded "20.NX.LCA-LCA.JK.1," assembly	1	—	ECC	
28E/1009753	10-20 N 14237/CABLES AS.3180/3C	CABLE , link, assembly ... CLIP , "P," securing cables ... Attachments for AS.3180/3C, Clip :—	QR 1	—	ECC C	
28M/10328	AGS.2002/C/1	Nut, 2 BA ...	1	—	C	
28S/1011490	A32/C16	Screw, 2 BA ...	1	—	C	
28W/9419475	SP.15/C	Washer ...	1	—	C	
	—	LAMP , coded "AAL," group (Mod. 821) ...	1	—	—	
28D/1008147	A25/1A	BOLT , 6 BA ...	2	—	C	
	10-20 N 14565	BRACKET , mounting, 20 SWG ...	1	S.510	LM	EBL3
5CX/2279	—	COVER , terminal ...	1	—	C	
5L/9951283	—	LAMP , electric, filament, 28 volts, 3-5 watts	1	—	C	
5CX/2282	—	LAMP , instrument, Type "C" ...	1	—	P	EBL3
28M/10286	AGS.2001/A/1	NUT , 6 BA ...	2	—	C	
28W/9419464	SP.13/A	WASHER ...	2	—	C	

ELECTRICAL INSTALLATIONS

INSTALLATION OF COCKPIT LIGHTING, CODED "LC"

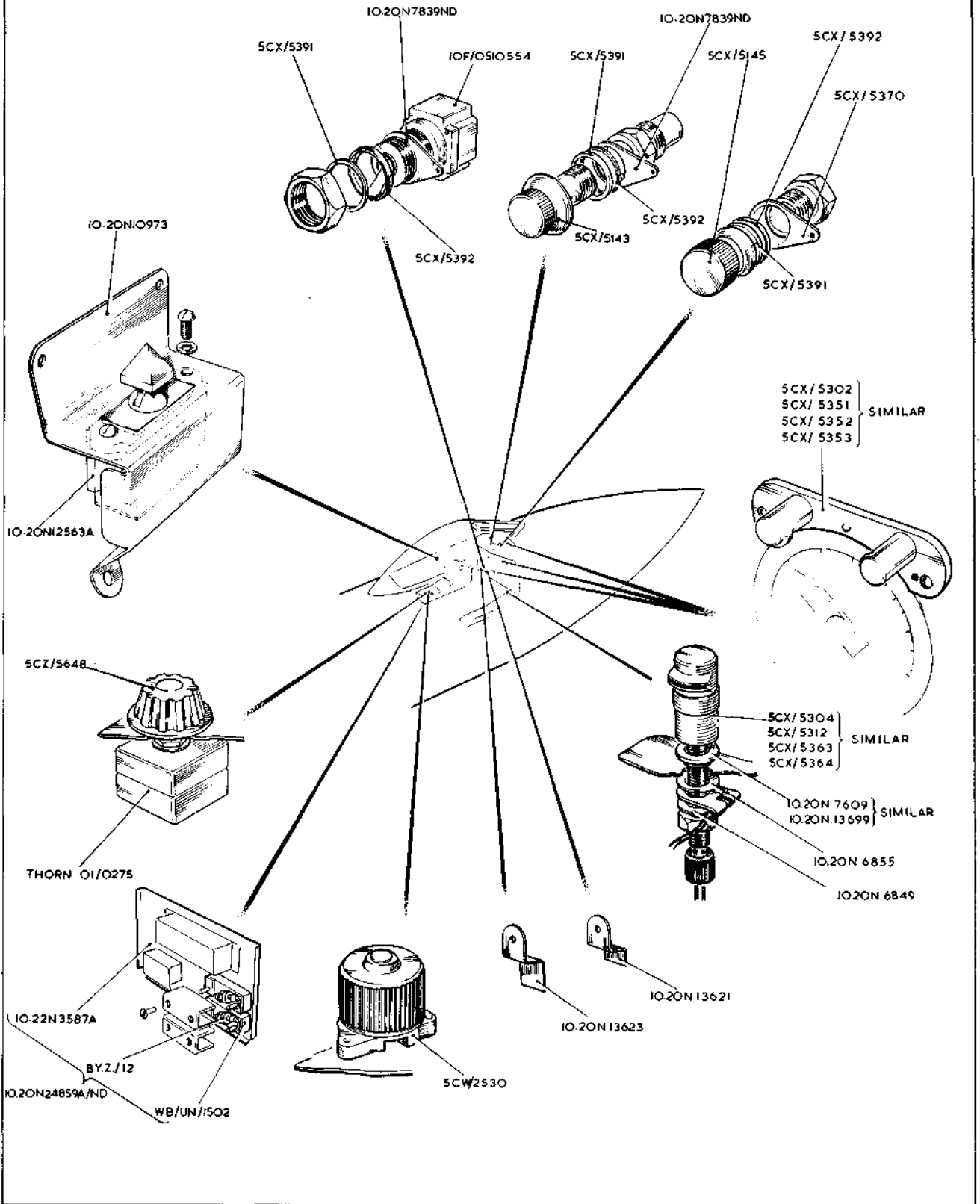
Ref. No.	Part No.	Description	No. off	Material Specification	Class of Store or L.M.	Place No.
28D/1008147	—	LAMP, coded "AAT," group	1	—	—	
	A25/1A	BOLT, 6 BA	2	—	C	
	10-20 N 14243ND	BRACKET, mounting, 20 SWG	1	\$510	LM	EBL3
	5CX/2279	COVER, terminal	1	—	C	
	5L/9951283	LAMP, electric, filament, 28 volts, 3-5 watts	1	—	C	
	5CX/2282	LAMP, instrument, Type "C"	1	—	C	EBL3
	28M/10286	NUT, 6 BA	2	—	C	
	28W/9419464	WASHER	2	—	C	
	—	LAMP, flight refuelling, indicator, coded "AGV," group (Mod. 1091)	1	—	—	
	10-20 FS 20787	BRACKET, mounting, 18 SWG	1	L.72	LM	EBL3
	5L/9951283	LAMP, electric, filament, 28 volts, 3-5 watts	1	—	C	
	5CX/4058	LAMP, Type "C," No. 2	1	—	P	EBL3
	28M/10286	NUT, 6 BA	2	—	C	
	5CX/3414	SCREW	1	—	C	EBL3
	28S/1006948	WASHER	2	—	C	
	28W/9419473	WASHER	2	—	C	
	—	LAMP, I.F.F. panel, coded "ADY," group (Mod. 1042)	1	—	—	
	10-20 N 22445	CLIP, lamp attachment, 16 SWG	1	L.72	LM	EBL3
	5L/9951283	LAMP, electric, filament, 28 volts, 3-5 watts	1	—	C	
	5CX/4058	LAMP, Type "C," No. 2	1	—	P	EBL3
	28M/10286	NUT, 6 BA	2	—	C	
	28M/10288	NUT, 2 BA, clip attachment	1	—	C	
	5CX/3430	SCREEN	1	—	C	EBL3
	28S/1006948	SCREW, 6 BA	2	—	C	
	28S/9992533	SCREW, 2 BA, clip attachment	1	—	C	
	28W/9419464	WASHER	2	—	C	
	26DL/7260	WASHER, support	1	—	C	
	10-20 N 14249A/ND	LAMP, coded "AP," assembly	1	—	—	EBL3
	28D/1007319	BOLT, 4 BA	4	—	C	
	5L/9959118	LAMP, electric, filament, 28 volts, 0-04 amps.	2	—	C	
	15796	LAMP, instrument, miniature bridge, assembly (THORN 80/10/0190 modified)	1	—	C	EBL3
	15797	CAP, lamp	1	—	C	EBL3
	28M/10287	NUT, 4 BA	2	—	C	
	10-20 N 14245	PLATE, mounting	1	L.72	—	EBL3
	15798	SCREW, clamp, 4 BA	2	—	C	EBL3
	28W/9419465	WASHER	2	—	C	
	—	LAMPS, on switch panel, coded "MX," group	1	—	—	
	10-20 N 23057A/CABLES	CABLE (Supplied with lamps)	QR	—	ECC	
	5L/9959118	LAMP, electric, filament, 28 volts, 0-04 amp.	4	—	C	
	5CX/5364	LAMP HOLDERS, miniature pillar Type, c/w cables, coded "AA," "AB," "AC" and "AD"	4	—	C	
	28W/9419405	WASHER	4	—	C	
	32B/—	TAPE, identification, numbers and letters, use from Ref. Nos. 32B/1087 to 32B/1120 inclusive, as required	QR	—	C	



EBL. I

ELECTRICAL INSTALLATION COCKPIT LIGHTS CODED LC

EBL. I
[A.L.71]

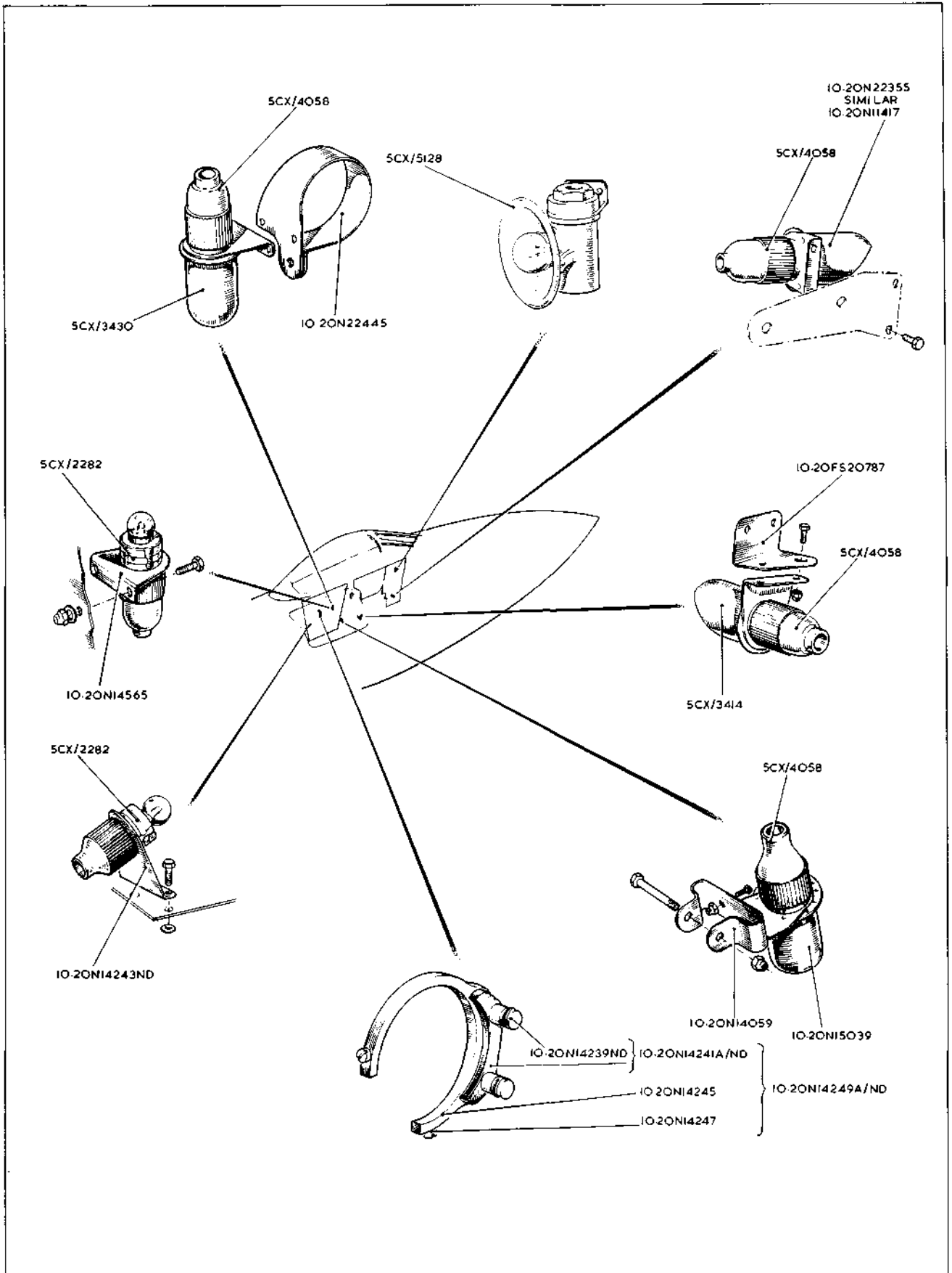


EBL. 2

ELECTRICAL INSTALLATION

COCKPIT LIGHTS CODED LC

EBL. 2
[AL.71]



EBL.3

ELECTRICAL INSTALLATION
COCKPIT LIGHTS CODED LC

EBL.3
[AL. 71]

This file was downloaded
from the RTFM Library:

Link: www.scottbouch.com/rtfm

Please see site for usage terms,
and more aircraft documents.

